

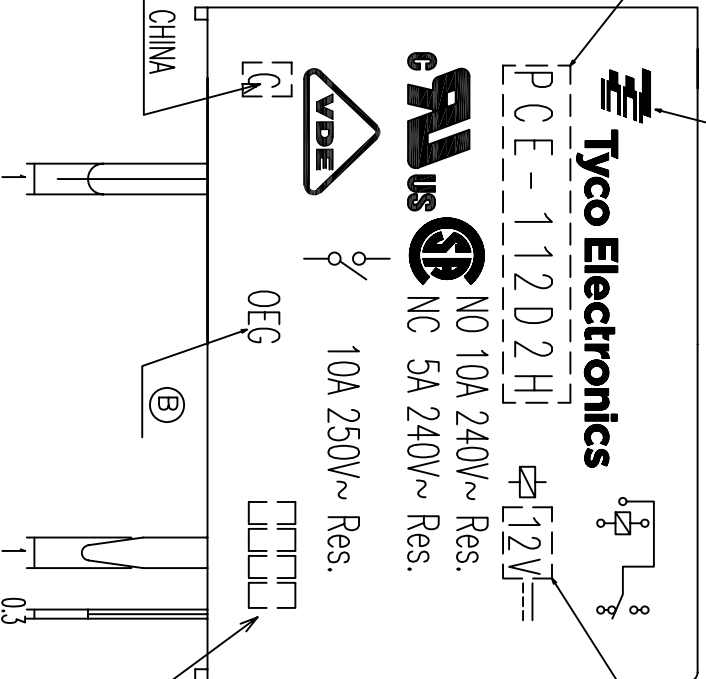


THE DATASHEET OF PCE-112D2H

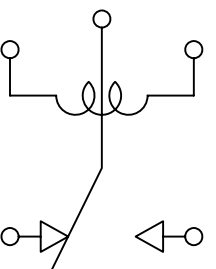


LOCATION
RESERVED.

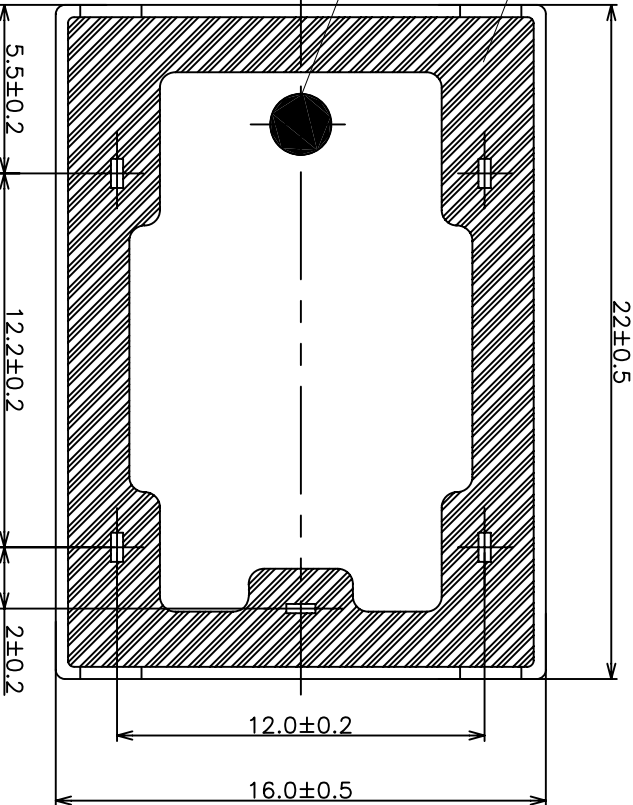
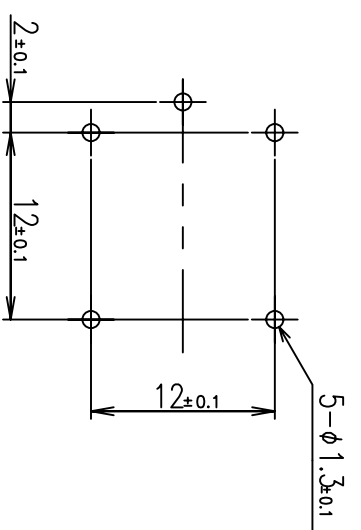
REVISONS		1				
LOC	DIST	DESCRIPTION	ECN	DATE	DWN	APVD
HB		P LTR				
		A1	ADD TYPE	11-NOV-03	H.S	A.N
		B	CHANGE TE LOGO	ECO-08-020463	8-SEP-08	CVZ BHY



CIRCUIT DIAGRAM (BOTTOM VIEW)



DRILLING DIAGRAM (BOTTOM VIEW)

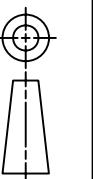


THIS DRAWING IS A CONTROLLED DOCUMENT FOR TYCO ELECTRONICS CORPORATION
IT IS SUBJECT TO CHANGE AND THE CONTROLLING ENGINEERING ORGANIZATION
SHOULD BE CONTACTED FOR THE LATEST REVISION.

GENERAL TOLERANCE

Dimension dimension	Tolerance
0.99mm max.	±0.1mm
1 - 2.99mm	±0.2mm
3mm min.	±0.3mm

DIMENSIONS:



DIMENSIONS:	TOLERANCES UNLESS OTHERWISE SPECIFIED:
0 P.C	±
1 P.C	±
2 P.C	±
3 P.C	±
4 P.C	±
ANGLES	±
FINISH	±

DWN H.SASAKI
CHK N.FUNAYAMA
APVD A.NAGAI
PRODUCT SPEC
APPLICATION SPEC
WEIGHT
CUSTOMER DRAWING

Tyco Electronics
Tyco Electronics Corporation
ShenZhen, China

PCE-1**D2H,000 CUSTOMER DRAWING

SIZE A3
CAGE CODE 00779
DRAWING NO. 1419146-9
RESTRICTED TO

SCALE 4:1 SHEET 1 OF 2 REV B

Looking for pricing, stock, or lifecycle information?

Click below to explore more details on WIN SOURCE:

[View PCE-112D2H on WIN SOURCE](#)

[TE Connectivity Information](#)

Optimize Your Supply Chain with WIN SOURCE Solutions

- ✓ Global Sourcing Solution
- ✓ Obsolete Management
- ✓ Cost Control Management
- ✓ Shortage Management
- ✓ Alternative Solution
- ✓ Excess Inventory Management