

# DATA SHEET



## **PCA9516** 5-channel I<sup>2</sup>C hub

Product data sheet  
Supersedes data of 2004 Sep 29

2006 Sep 22

## 5-channel I<sup>2</sup>C hub

## PCA9516

### DESCRIPTION

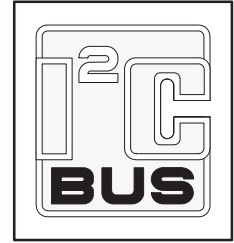
The PCA9516 is a BiCMOS integrated circuit intended for application in I<sup>2</sup>C and SMBus systems.

While retaining all the operating modes and features of the I<sup>2</sup>C system, it permits extension of the I<sup>2</sup>C-bus by buffering both the data (SDA) and the clock (SCL) lines, thus enabling five buses of 400 pF.

The I<sup>2</sup>C-bus capacitance limit of 400 pF restricts the number of devices and bus length. Using the PCA9516 enables the system designer to divide the bus into five segments off of a hub where any segment to segment transition sees only one repeater delay.

It can also be used to run different buses at 5 V and 3.3 V or 400 kHz and 100 kHz buses where the 100 kHz bus is isolated when 400 kHz operation of the other bus is required.

**Two or more PCA9516s cannot be put in series.** The PCA9516 design does not allow this configuration. Since there is no direction pin, slightly different “legal” low voltage levels are used to avoid lock-up conditions between the input and the output of each repeater in the hub. A “regular LOW” applied at the input of a PCA9516 will be propagated as a “buffered LOW” with a slightly higher value on all the enabled outputs. When this “buffered LOW” is applied to another PCA9516, PCA9515, or PCA9518 in series, the second PCA9515, PCA9516, or PCA9518 will not recognize it as a “regular LOW” and will not propagate it as a “buffered LOW” again. The PCA9510/9511/9513/9514 and PCA9512 cannot be used in series with the PCA9515, PCA9516, or PCA9518 but can be used in series with themselves since they use shifting instead of static offsets to avoid lock-up conditions.



### FEATURES

- 5 channel, bi-directional buffer
- I<sup>2</sup>C-bus and SMBus compatible
- Active HIGH individual repeater enable input
- Open-drain input/outputs
- Lock-up free operation
- Supports arbitration and clock stretching across the repeater
- Accommodates standard mode and fast mode I<sup>2</sup>C devices and multiple masters
- Powered-off high impedance I<sup>2</sup>C pins
- Operating supply voltage range of 3.0 V to 3.6 V
- 5.5 V tolerant I<sup>2</sup>C and enable pins
- 0 to 400 kHz clock frequency<sup>1</sup>
- ESD protection exceeds 2000 V HBM per JESD22-A114, 150 V MM per JESD22-A115, and 1000 V CDM per JESD22-C101.
- Latch-up testing is done to JEDEC Standard JESD78 which exceeds 100 mA.
- Package offerings: SO and TSSOP

### ORDERING INFORMATION

DESCRIPTION	TEMPERATURE RANGE	ORDER CODE	TOPSIDE MARK	DRAWING NUMBER
16-pin plastic SO	-40 °C to +85 °C	PCA9516D	PCA9516D	SOT109-1
16-pin plastic TSSOP	-40 °C to +85 °C	PCA9516PW	PCA9516	SOT403-1

Standard packing quantities and other packaging data is available at [www.standardics.philips.com/packaging](http://www.standardics.philips.com/packaging).

1. The maximum system operating frequency may be less than 400 kHz because of the delays added by the repeater.

# 5-channel I<sup>2</sup>C hub

# PCA9516

## PIN CONFIGURATION

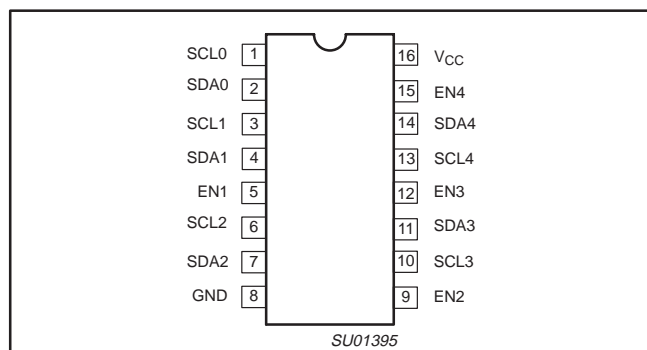


Figure 1. Pin configuration

## PIN DESCRIPTION

PIN	SYMBOL	FUNCTION
1	SCL0	Serial clock bus 0
2	SDA0	Serial data bus 0
3	SCL1	Serial clock bus 1
4	SDA1	Serial data bus 1
5	EN1	Active-HIGH Bus 1 enable Input
6	SCL2	Serial clock bus 2
7	SDA2	Serial data bus 2
8	GND	Supply ground
9	EN2	Active-HIGH Bus 2 enable Input
10	SCL3	Serial clock bus 3
11	SDA3	Serial data bus 3
12	EN3	Active-HIGH Bus 3 enable Input
13	SCL4	Serial clock bus 4
14	SDA4	Serial data bus 4
15	EN4	Active-HIGH Bus 4 enable Input
16	V <sub>CC</sub>	Supply power

# 5-channel I<sup>2</sup>C hub

# PCA9516

## BLOCK DIAGRAM

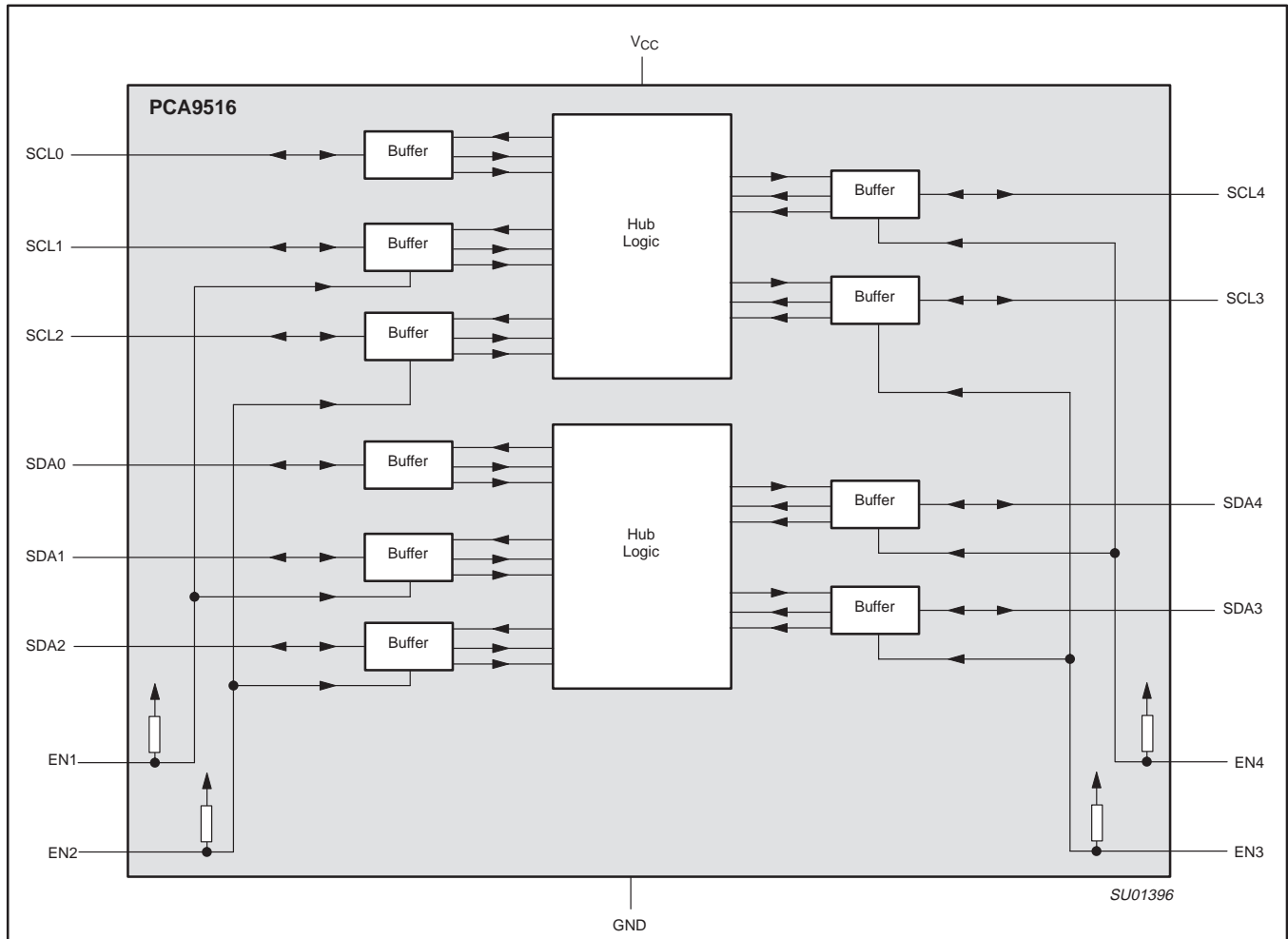


Figure 2. Block Diagram: PCA9516

A more detailed view of Figure 2 buffer is shown in Figure 3.

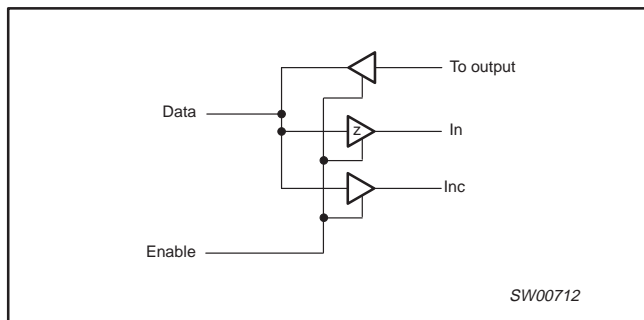


Figure 3.

The output pull-down of each internal buffer is set for approximately 0.5 V, while the input threshold of each internal buffer is set about 0.07 V lower, when the output is internally driven LOW. This prevents a lock-up condition from occurring.

# 5-channel I<sup>2</sup>C hub

# PCA9516

## FUNCTIONAL DESCRIPTION

The PCA9516 BiCMOS integrated circuit is a five way hub repeater, which enables I<sup>2</sup>C and similar bus systems to be expanded with only one repeater delay and no functional degradation of system performance.

The PCA9516 BiCMOS integrated circuit contains five bi-directional, open drain buffers specifically designed to support the standard low-level-contention arbitration of the I<sup>2</sup>C-bus. Except during arbitration or clock stretching, the PCA9516 acts like five pairs of non-inverting, open drain buffers, one for SDA and one for SCL.

### Enable

The enable pins EN1 through EN4 are active HIGH and have internal pull-up resistors. Each enable pin ENn controls its associated SDA<sub>n</sub> and SCL<sub>n</sub> ports. When LOW, the ENn pin blocks the inputs from SDA<sub>n</sub> and SCL<sub>n</sub> as well as disabling the output drivers on the SDA<sub>n</sub> and SCL<sub>n</sub> pins. The enable pins should only change state when both the global bus and the local port are in an idle state to prevent system failures.

The active HIGH enable pins allow the use of open drain drivers which can be wire-ORed to create a distributed enable where either centralized control signal (master) or spoke signal (submaster) can enable the channel when it is idle.

### I<sup>2</sup>C Systems

As with the standard I<sup>2</sup>C system, pull-up resistors are required to provide the logic HIGH levels on the Buffered bus. (Standard open-collector configuration of the I<sup>2</sup>C-bus). The size of these pull-up resistors depends on the system, but each side of the repeater must have a pull-up resistor. This part designed to work with standard mode and fast mode I<sup>2</sup>C devices in addition to SMBus devices. Standard mode I<sup>2</sup>C devices only specify 3 mA output drive, this limits the termination current to 3 mA in a generic I<sup>2</sup>C system where standard mode devices and multiple masters are possible. Under certain conditions higher termination currents can be used. Please see Application Note AN255 "I<sup>2</sup>C & SMBus Repeaters, Hubs and Expanders" for additional information on sizing resistors and precautions when using more than one PCA9515/PCA9516 in a system or using the PCA9515/16 in conjunction with the P82B96.

## APPLICATION INFORMATION

A typical application is shown in Figure 4. In this example, the system master is running on a 3.3 V I<sup>2</sup>C-bus while the slave is connected to a 5 V bus. All buses run at 100 kHz unless slave 3 is isolated and then the master bus and slaves 1 and 2 can run at 400 kHz.

Any segment of the hub can talk to any other segment of the hub. Bus masters and slaves can be located on all five segments with 400 pF load allowed on each segment.

Unused ports should be isolated by holding the enable pin to GND and/or pulling SDA/SCL pins to V<sub>CC</sub> through appropriately sized

resistors. The primary bus master is normally connected to SDA0/SCL0. If the SDA0/SCL0 port is not used, the pins need to be pulled to V<sub>CC</sub> through appropriately sized resistors.

The PCA9516 is 5 V tolerant so it does not require any additional circuitry to translate between the different bus voltages.

When one side of the PCA9516 is pulled LOW by a device on the I<sup>2</sup>C-bus, a CMOS hysteresis type input detects the falling edge and causes an internal driver on the other side to turn on, thus causing the other side to also go LOW. The side driven LOW by the PCA9516 will typically be at V<sub>OL</sub> = 0.5 V.

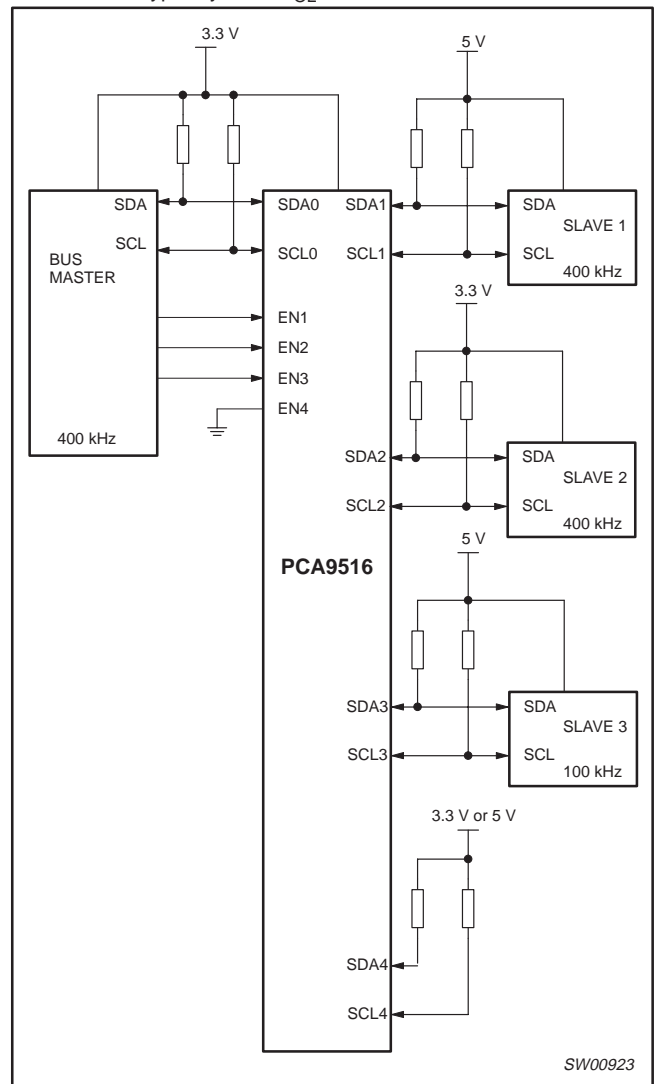


Figure 4. Typical application

# 5-channel I<sup>2</sup>C hub

# PCA9516

In order to illustrate what would be seen in a typical application, refer to Figures 5 and 6. If the bus master in Figure 4 were to write to the slave through the PCA9516, we would see the waveform shown in Figure 5 on Bus 0. This looks like a normal I<sup>2</sup>C transmission until the falling edge of the 8th clock pulse. At that point, the master releases the data line (SDA) while the slave pulls it LOW through the PCA9516. Because the  $V_{OL}$  of the PCA9516 is typically around 0.5 V, a step in the SDA will be seen. After the master has transmitted the 9th clock pulse, the slave releases the data line.

On the Bus 1 side of the PCA9516, the clock and data lines would have a positive offset from ground equal to the  $V_{OL}$  of the PCA9516. After the 8th clock pulse, the data line will be pulled to the  $V_{OL}$  of the slave device that is very close to ground in our example.

It is important to note that any arbitration or clock stretching events on Bus 1 require that the  $V_{OL}$  of the devices on Bus 1 be 70 mV below the  $V_{OL}$  of the PCA9516 (see  $V_{OL} - V_{iL}$  in the DC Characteristics section) to be recognized by the PCA9516 and then transmitted to Bus 0.

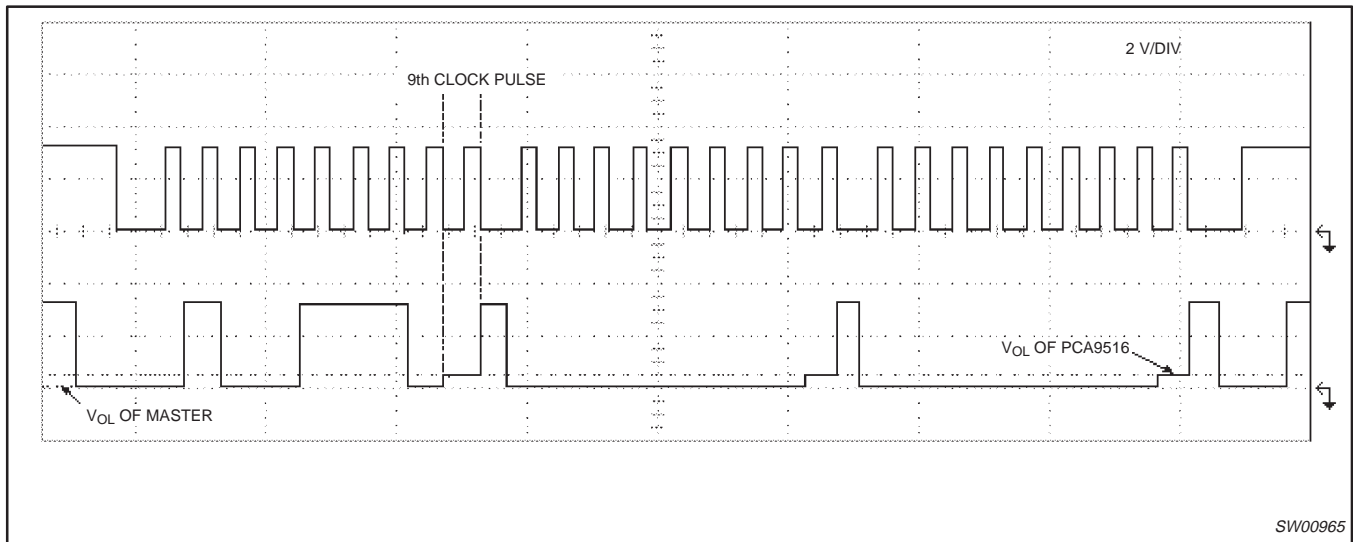


Figure 5. Bus 0 waveform

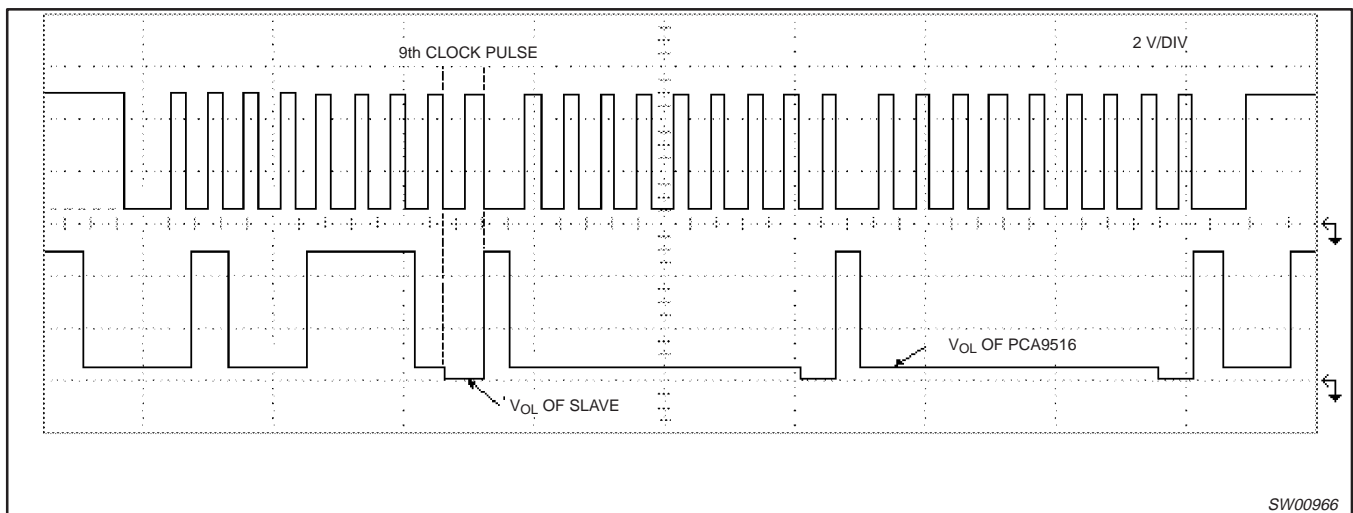


Figure 6. Bus 1 waveform

5-channel I<sup>2</sup>C hub

PCA9516

**ABSOLUTE MAXIMUM RATINGS**

Limiting values in accordance with the Absolute Maximum System (IEC 134).  
 Voltages with respect to pin GND.

SYMBOL	PARAMETER	LIMITS		UNIT
		MIN.	MAX.	
V <sub>CC</sub> to GND	Supply voltage range V <sub>CC</sub>	-0.5	+7	V
V <sub>bus</sub>	Voltage range I <sup>2</sup> C-bus, SCL or SDA	-0.5	+7	V
I	DC current (any pin)	—	50	mA
P <sub>tot</sub>	Power dissipation	—	300	mW
T <sub>stg</sub>	Storage temperature range	-55	+125	°C
T <sub>amb</sub>	Operating ambient temperature range	-40	+85	°C

**DC ELECTRICAL CHARACTERISTICS**

V<sub>DD</sub> = 3.0 to 3.6 V; GND = 0 V; T<sub>amb</sub> = -40 °C to +85 °C; unless otherwise specified.

SYMBOL	PARAMETER	TEST CONDITIONS	LIMITS			UNIT
			MIN.	TYP.	MAX.	
<b>Supplies</b>						
V <sub>CC</sub>	DC supply voltage		3.0	3.3	3.6	V
I <sub>CCH</sub>	Quiescent supply current, both channels HIGH	V <sub>CC</sub> = 3.6 V; SDAn = SCLn = V <sub>CC</sub>	—	7	10	mA
I <sub>CCL</sub>	Quiescent supply current, both channels LOW	V <sub>CC</sub> = 3.6 V; one SDA and one SCL = GND, other SDA and SCL open	—	6.8	10	mA
I <sub>CCLc</sub>	Quiescent supply current in contention	V <sub>CC</sub> = 3.6 V; SDAn = SCLn = GND	—	7	10	mA
<b>Input SCL; input/output SDA</b>						
V <sub>IH</sub>	HIGH-level input voltage		0.7 V <sub>CC</sub>	—	5.5	V
V <sub>IL</sub>	LOW-level input voltage (Note 1)		-0.5	—	0.3 V <sub>CC</sub>	V
V <sub>ILc</sub>	LOW-level input voltage contention (Note 1)		-0.5	—	0.4	V
V <sub>IK</sub>	Input clamp voltage	I <sub>I</sub> = -18 mA	—	—	-1.2	V
I <sub>I</sub>	Input leakage current	V <sub>I</sub> = 3.6 V	—	—	±1	μA
I <sub>IL</sub>	Input current LOW, SDA, SCL	V <sub>I</sub> = 0.2 V, SDA, SCL	—	—	5	μA
V <sub>OL</sub>	LOW-level output voltage	I <sub>OL</sub> = 0 or 6 mA	0.47	0.52	0.6	V
V <sub>OL</sub> -V <sub>ILc</sub>	LOW-level input voltage below output LOW-level voltage	Guaranteed by design	—	—	70	mV
I <sub>OH</sub>	Output HIGH-level leakage current	V <sub>O</sub> = 3.6 V	—	—	10	μA
C <sub>I</sub>	Input capacitance	V <sub>I</sub> = 3 V or 0 V	—	6	10	pF
<b>Enable 1-4</b>						
V <sub>IL</sub>	LOW-level input voltage		-0.5	—	0.8	V
V <sub>IH</sub>	HIGH-level input voltage		2.0	—	5.5	V
I <sub>IL</sub>	Input current LOW, EN1-EN4	V <sub>I</sub> = 0.2 V, EN1-EN4	—	10	30	μA
I <sub>LI</sub>	Input leakage current		-1	—	1	μA
C <sub>I</sub>	Input capacitance	V <sub>I</sub> = 3.0 V or 0 V	—	6	7	pF

**NOTE:**

- V<sub>IL</sub> specification is for the first LOW level seen by the SDAx/SCLx lines. V<sub>ILc</sub> is for the second and subsequent LOW levels seen by the SDAx/SCLx lines.

# 5-channel I<sup>2</sup>C hub

# PCA9516

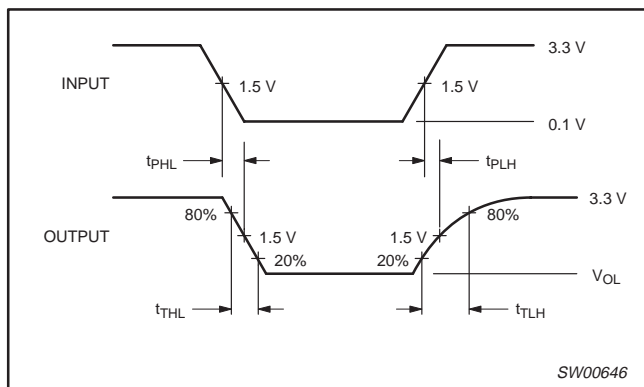
## AC ELECTRICAL CHARACTERISTICS

SYMBOL	PARAMETER	TEST CONDITIONS	LIMITS			UNIT
			MIN.	TYP.	MAX.	
t <sub>PHL</sub>	Propagation delay	Waveform 1	57	115	170	ns
t <sub>PLH</sub>	Propagation delay	Waveform 1	33	55	78	ns
t <sub>THL</sub>	Transition time	Waveform 1		67		ns
t <sub>TLH</sub>	Transition time	Waveform 1; Note 1		135		ns
t <sub>SET</sub>	Enable to Start condition		100			ns
t <sub>HOLD</sub>	Enable after Stop condition		100			ns

**NOTE:**

1. The t<sub>TLH</sub> transition time is guaranteed with loads of 1.35 kΩ pull-up resistance and 7 pF load capacitance, plus an additional 50 pF load capacitance. Different load resistance and capacitance will alter the RC time constant, thereby changing the propagation delay and transition times.

### AC WAVEFORMS



Waveform 1.

### TEST CIRCUIT

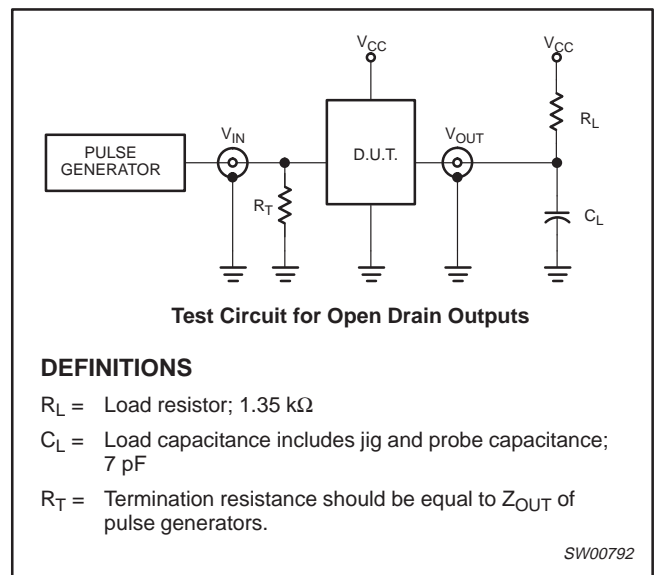


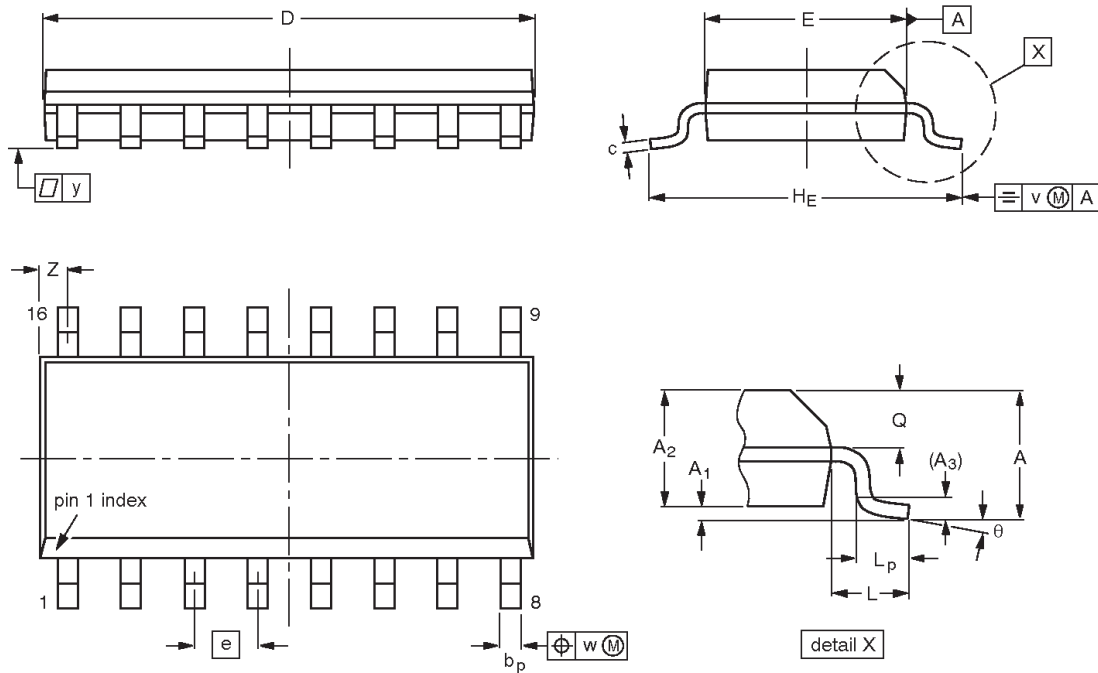
Figure 7. Test circuit

# 5-channel I<sup>2</sup>C hub

PCA9516

**SO16:** plastic small outline package; 16 leads; body width 3.9 mm

**SOT109-1**



**DIMENSIONS (inch dimensions are derived from the original mm dimensions)**

UNIT	A max.	A <sub>1</sub>	A <sub>2</sub>	A <sub>3</sub>	b <sub>p</sub>	c	D <sup>(1)</sup>	E <sup>(1)</sup>	e	H <sub>E</sub>	L	L <sub>p</sub>	Q	v	w	y	z <sup>(1)</sup>	θ
mm	1.75	0.25 0.10	1.45 1.25	0.25	0.49 0.36	0.25 0.19	10.0 9.8	4.0 3.8	1.27	6.2 5.8	1.05	1.0 0.4	0.7 0.6	0.25	0.25	0.1	0.7 0.3	8° 0°
inches	0.069	0.010 0.004	0.057 0.049	0.01	0.019 0.014	0.0100 0.0075	0.39 0.38	0.16 0.15	0.05	0.244 0.228	0.041	0.039 0.016	0.028 0.020	0.01	0.01	0.004	0.028 0.012	

**Note**

1. Plastic or metal protrusions of 0.15 mm (0.006 inch) maximum per side are not included.

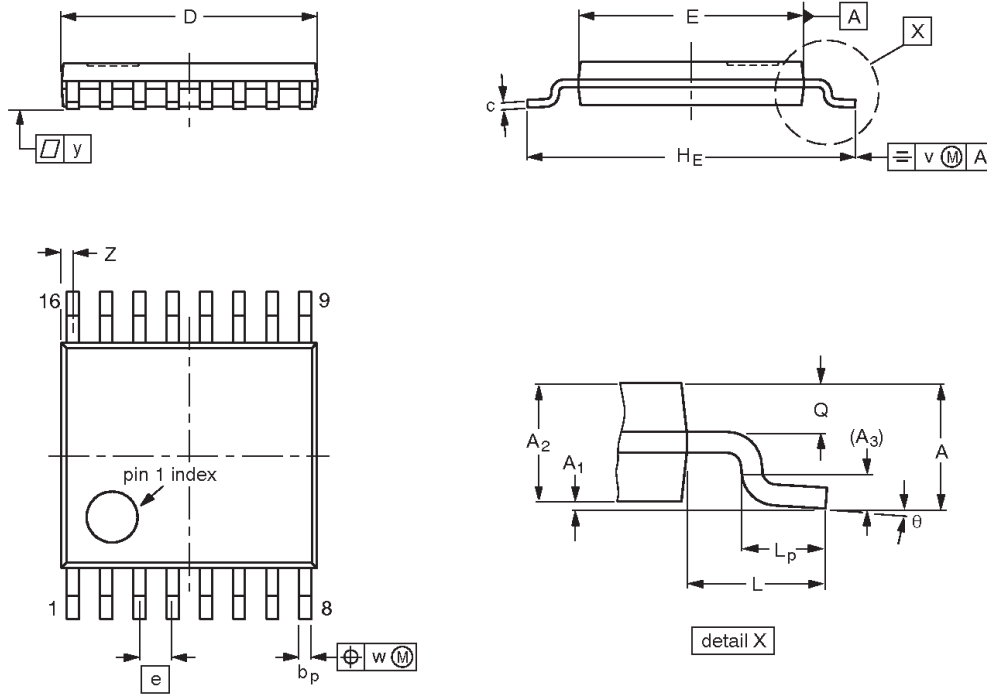
OUTLINE VERSION	REFERENCES				EUROPEAN PROJECTION	ISSUE DATE
	IEC	JEDEC	JEITA			
SOT109-1	076E07	MS-012				99-12-27 03-02-19

# 5-channel I<sup>2</sup>C hub

PCA9516

**TSSOP16:** plastic thin shrink small outline package; 16 leads; body width 4.4 mm

**SOT403-1**



**DIMENSIONS (mm are the original dimensions)**

UNIT	A max.	A <sub>1</sub>	A <sub>2</sub>	A <sub>3</sub>	b <sub>p</sub>	c	D <sup>(1)</sup>	E <sup>(2)</sup>	e	H <sub>E</sub>	L	L <sub>p</sub>	Q	v	w	y	Z <sup>(1)</sup>	θ
mm	1.1	0.15 0.05	0.95 0.80	0.25	0.30 0.19	0.2 0.1	5.1 4.9	4.5 4.3	0.65	6.6 6.2	1	0.75 0.50	0.4 0.3	0.2	0.13	0.1	0.40 0.06	8° 0°

**Notes**

1. Plastic or metal protrusions of 0.15 mm maximum per side are not included.
2. Plastic interlead protrusions of 0.25 mm maximum per side are not included.

OUTLINE VERSION	REFERENCES				EUROPEAN PROJECTION	ISSUE DATE
	IEC	JEDEC	JEITA			
SOT403-1		MO-153				-99-12-27 03-02-18

5-channel I<sup>2</sup>C hub

PCA9516

**REVISION HISTORY**

Rev	Date	Description
_7	20060922	<b>Product data sheet. Supersedes data of 2004 Sep 29 (9397 750 14107).</b> Modifications: <ul style="list-style-type: none"><li>• FEATURES section on page 2, 12th bullet: changed "200 V MM ..." to "150 V MM ..."</li></ul>
_6	20040929	<b>Product data sheet (9397 750 14107). Supersedes data of 2004 Jun 24 (9397 750 12917).</b>
_5	20040624	<b>Product data (9397 750 12917). Supersedes data of 2003 November 10 (9397 750 12291).</b>
_4	20031110	<b>Product data (9397 750 12291); ECN 853-2234 30410 dated 03 October 2003. Supersedes data of 2002 May 13 (9397 750 09814).</b>
_3	20020513	<b>Product data (9397 750 09815); ECN: 853-2234 28185 (2002 May 13)</b>

5-channel I<sup>2</sup>C hub

PCA9516

## Legal Information

### Data sheet status

Document status <sup>[1][2]</sup>	Product status <sup>[3]</sup>	Definition
Objective [short] data sheet	Development	This document contains data from the objective specification for product development.
Preliminary [short] data sheet	Qualification	This document contains data from the preliminary specification.
Product [short] data sheet	Production	This document contains the product specification.

[1] Please consult the most recently issued document before initiating or completing a design.

[2] The term 'short data sheet' is explained in section "Definitions".

[3] The product status of device(s) described in this document may have changed since this data sheet was published and may differ in case of multiple devices. The latest product status information is available on the Internet at URL <http://www.semiconductors.philips.com>.

### Definitions

**Draft** — The document is a draft version only. The content is still under internal review and subject to formal approval, which may result in modifications or additions. Philips Semiconductors does not give any representations or warranties as to the accuracy or completeness of information included herein and shall have no liability for the consequences of use of such information.

**Short data sheet** — A short data sheet is an extract from a full data sheet with the same product type number(s) and title. A short data sheet is intended for quick reference only and should not be relied upon to contain detailed and full information. For detailed and full information see the relevant full data sheet, which is available on request via the local Philips Semiconductors sales office. In case of any inconsistency or conflict with the short data sheet, the full data sheet shall prevail.

### Disclaimers

**General** — Information in this document is believed to be accurate and reliable. However, Philips Semiconductors does not give any representations or warranties, expressed or implied, as to the accuracy or completeness of such information and shall have no liability for the consequences of use of such information.

**Right to make changes** — Philips Semiconductors reserves the right to make changes to information published in this document, including without limitation specifications and product descriptions, at any time and without notice. This document supersedes and replaces all information supplied prior to the publication hereof.

**Suitability for use** — Philips Semiconductors products are not designed, authorized or warranted to be suitable for use in medical, military, aircraft, space or life support equipment, nor in applications where failure or malfunction of a Philips Semiconductors product can reasonably be expected to result in personal injury, death or severe property or environmental damage. Philips Semiconductors accepts no liability for

inclusion and/or use of Philips Semiconductors products in such equipment or applications and therefore such inclusion and/or use is at the customer's own risk.

**Applications** — Applications that are described herein for any of these products are for illustrative purposes only. Philips Semiconductors makes no representation or warranty that such applications will be suitable for the specified use without further testing or modification.

**Limiting values** — Stress above one or more limiting values (as defined in the Absolute Maximum Ratings System of IEC 60134) may cause permanent damage to the device. Limiting values are stress ratings only and operation of the device at these or any other conditions above those given in the Characteristics sections of this document is not implied. Exposure to limiting values for extended periods may affect device reliability.

**Terms and conditions of sale** — Philips Semiconductors products are sold subject to the general terms and conditions of commercial sale, as published at <http://www.semiconductors.philips.com/profile/terms>, including those pertaining to warranty, intellectual property rights infringement and limitation of liability, unless explicitly otherwise agreed to in writing by Philips Semiconductors. In case of any inconsistency or conflict between information in this document and such terms and conditions, the latter will prevail.

**No offer to sell or license** — Nothing in this document may be interpreted or construed as an offer to sell products that is open for acceptance or the grant, conveyance or implication of any license under any copyrights, patents or other industrial or intellectual property rights.

### Trademarks

Notice: All referenced brands, product names, service names and trademarks are the property of their respective owners.

**I<sup>2</sup>C-bus** — logo is a trademark of Koninklijke Philips Electronics N.V.

## Contact information

For additional information please visit: <http://www.semiconductors.philips.com>

For sales office addresses, send an e-mail to: [sales.addresses@www.semiconductors.philips.com](mailto:sales.addresses@www.semiconductors.philips.com)

Please be aware that important notices concerning this document and the product(s) described herein, have been included in section "Legal information".



© Koninklijke Philips Electronics N.V. 2006. All rights reserved.  
For more information, please visit <http://www.semiconductors.philips.com>.  
For sales office addresses, email to: [sales.addresses@www.semiconductors.philips.com](mailto:sales.addresses@www.semiconductors.philips.com).

Date of release: 20060922

Document identifier: PCA9516\_7

## Looking for pricing, stock, or lifecycle information?

Click below to explore more details on WIN SOURCE:

 [View PCA9516PW,112 on WIN SOURCE](#)

 [NXP / Nexperia Information](#)

## Optimize Your Supply Chain with WIN SOURCE Solutions

-  Global Sourcing Solution
-  Obsolete Management
-  Cost Control Management
-  Shortage Management
-  Alternative Solution
-  Excess Inventory Management