

PART NO.	ENG. NO.	CKT SIZE	MATERIAL (SEE NOTE 1)
39-01-4030	5557-03R2	3	UL 94V-2
39-01-4031	5557-03R2-210	3	UL 94V-0
39-01-5039	5557-03R2-BL	3	UL 94V-2, BLACK
46999-0287	5557-03R2-400	3	UL 94V-0, BLACK

LEGEND

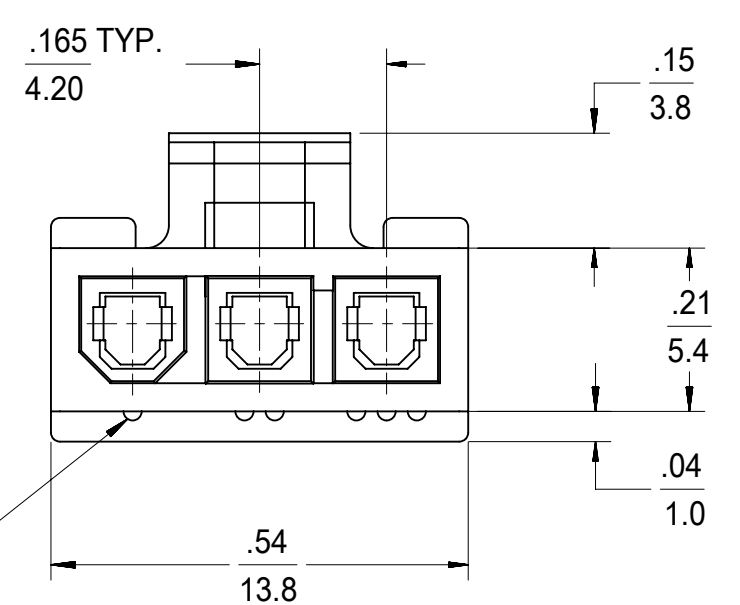
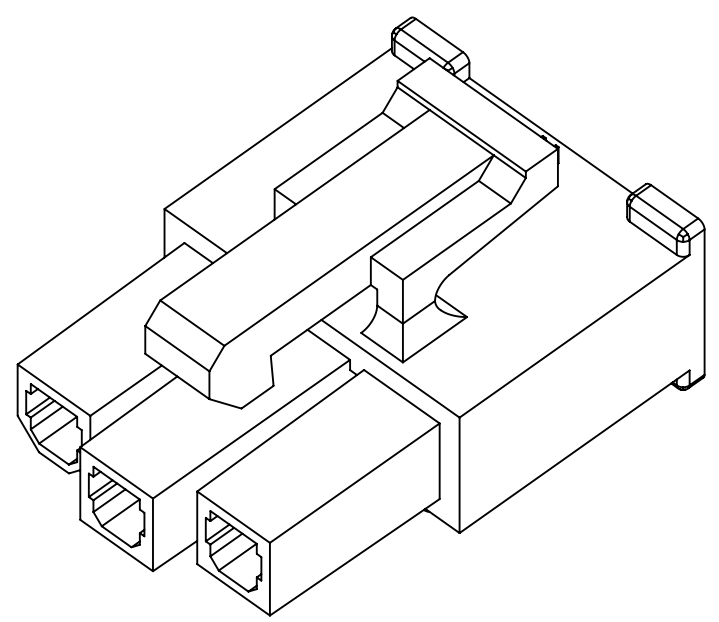
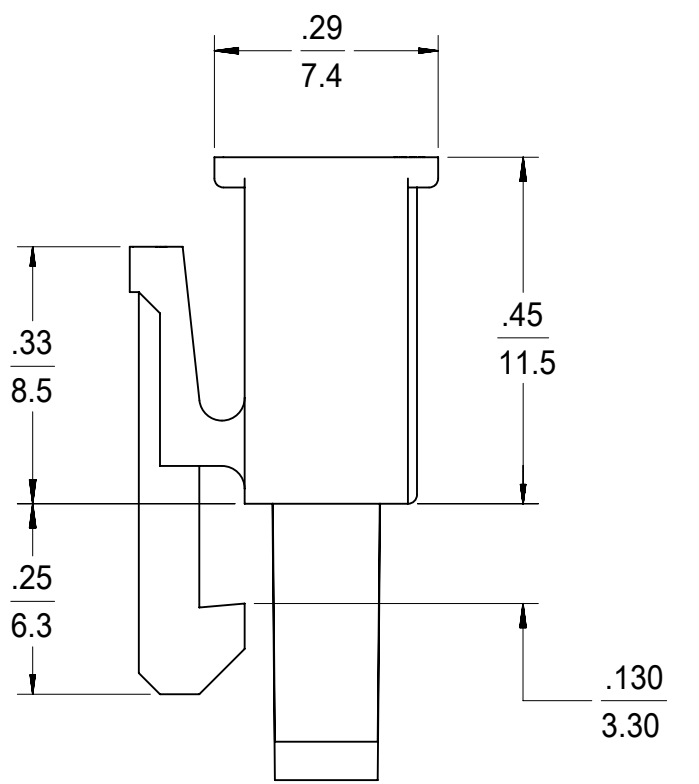
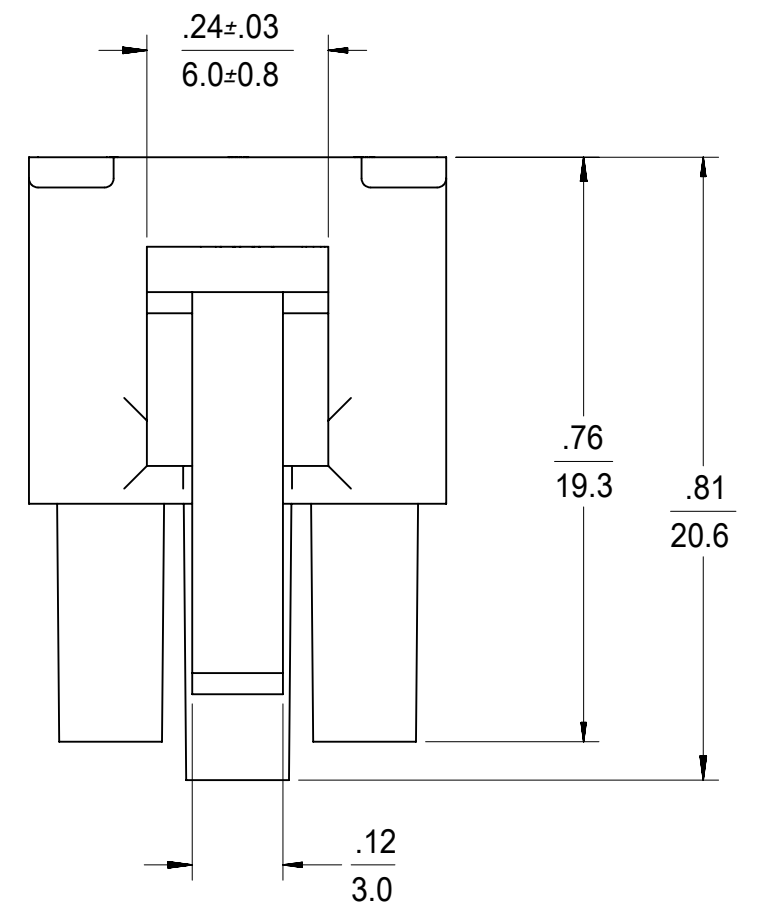
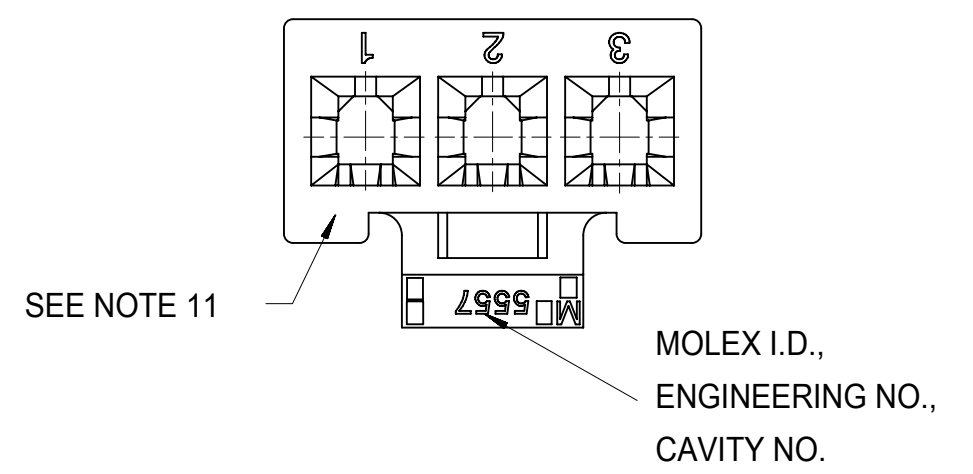
5557-03R2-***

CKT SIZE

RECEPTACLE

MATERIAL OPTION:
(SEE NOTE 1)

- NOTES:
- MATERIAL:
"BLANK"=NYLON 6/6, UL94V-2, LOW HALOGEN, COLOR: NATURAL
"210"=NYLON 6/6, UL94V-0, LOW HALOGEN, COLOR: NATURAL
"BL"=NYLON 6/6, UL94V-2, LOW HALOGEN, COLOR: BLACK
"400"=NYLON 6/6, UL94V-0, LOW HALOGEN, COLOR: BLACK
 - FINISH: NOT APPLICABLE
 - PRODUCT SPECIFICATION: PS-5556-001
 - PACKAGING: PK-5557-002
 - PART MATES WITH MOLEX RIGHT ANGLE HEADER #5569-03A*, VERTICAL HEADER #5566-03A3* AND PLUG #5559-03P*.
 - PART TO BE USED WITH MOLEX FEMALE TERMINAL #5556.
 - WHEN MATING WITH ANOTHER CONNECTOR, THE CENTER CIRCUIT WILL "MAKE FIRST AND BREAK LAST".
 - PART IS NOT DESIGNED FOR CURRENT SHARING.
 - CONNECTOR ASSEMBLIES ARE NOT TO BE MATED OR UNMATED WHILE CIRCUITS ARE LIVE.
 - WIRES ARE TO BE DRESSED IN SUCH A MANNER TO ALLOW THE TERMINALS TO FLOAT FREELY IN THE POCKET.
 - "MX" TRADEMARK MAY BE LOCATED ON LATCH OR SURFACE INDICATED. CAVITY NO. MAY BE LOCATED ON EITHER SIDE OF ENGINEERING NO. ON LATCH.
 - PART CONFORMS TO CLASS "B" REQUIREMENTS OF COSMETIC SPECIFICATION PS-45499-002.



THIS DRAWING CONTAINS INFORMATION THAT IS PROPRIETARY TO MOLEX ELECTRONIC TECHNOLOGIES, LLC AND SHOULD NOT BE USED WITHOUT WRITTEN PERMISSION									
SYMBOLS		DIMENSION UNITS		SCALE		CURRENT REV DESC: MIGRATE TO ECTR			
= 0		IN/MM		4:1		molex 3 CIRCUIT RECEPTACLE, (MINI-FIT JR.) (MAKE-FIRST/BREAK-LAST)			
= 0		GENERAL TOLERANCES (UNLESS SPECIFIED)							
= 0		4 PLACES ±		MM		INCH		EC NO: 172489	
= 0		3 PLACES ±		± 0.01				DRWN: AZAHIROVIC 2018/01/24	
= 0		2 PLACES ±		0.25 ± 0.015				CHK'D: JBELL 2018/02/20	
= 0		1 PLACE ±		0.38 ±				APPR: FSMITH 2018/02/22	
= 0		0 PLACES ±						INITIAL REVISION:	
= 0		ANGULAR TOL ± 0.5 °						DRWN: GEP 1990/10/02	
= 0		DRAFT WHERE APPLICABLE MUST REMAIN WITHIN DIMENSIONS						APPR: RAS 1990/10/02	
= 0		THIRD ANGLE PROJECTION		DRAWING		SERIES		DOCUMENT NUMBER	
		C-SIZE		5557		55570302-SD		DOC TYPE DOC PART REVISION	
		SEE CHART		GENERAL MARKET		PSD 000		A	
						MATERIAL NUMBER		CUSTOMER	
						SHEET NUMBER		1 OF 1	

Looking for pricing, stock, or lifecycle information?

Click below to explore more details on WIN SOURCE:

 [View 39014030 on WIN SOURCE](#)

 [Molex, LLC Information](#)

Optimize Your Supply Chain with WIN SOURCE Solutions

-  Global Sourcing Solution
-  Obsolete Management
-  Cost Control Management
-  Shortage Management
-  Alternative Solution
-  Excess Inventory Management