



**THE DATASHEET OF
PAM8403DR-H**



FILTERLESS 3W CLASS-D STEREO AUDIO AMPLIFIER

Description

The PAM8403H is a 3W, class-D audio amplifier. It offers low THD+N, allowing it to achieve high quality sound reproduction. The new filterless architecture allows the device to drive the speaker directly, requiring no low-pass output filters, thus saving system cost and PCB area.

With the same numbers of external components, the efficiency of the PAM8403H is much better than that of class-AB cousins. It can extend the battery life, ideal for portable applications.

The PAM8403H is available in SOP-16 package.

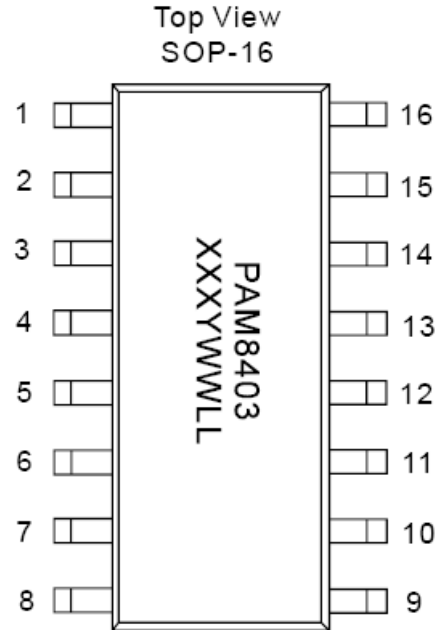
Features

- 3W Output at 10% THD with a 4 Load and 5V Power Supply
- Filterless, Low Quiescent Current and Low EMI
- Low THD+N
- Superior Low Noise
- Efficiency up to 90%
- Short Circuit Protection
- Thermal Shutdown
- Few External Components to Save the Space and Cost
- Pb-Free Package

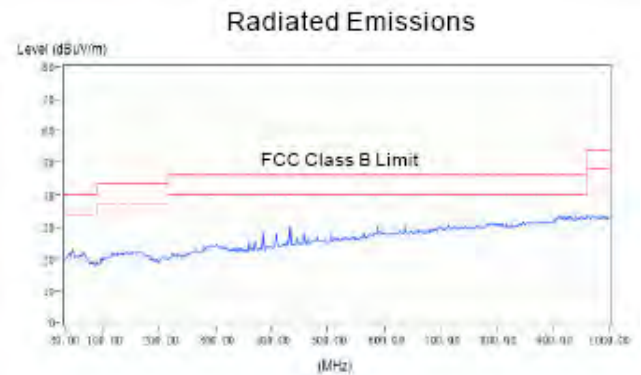
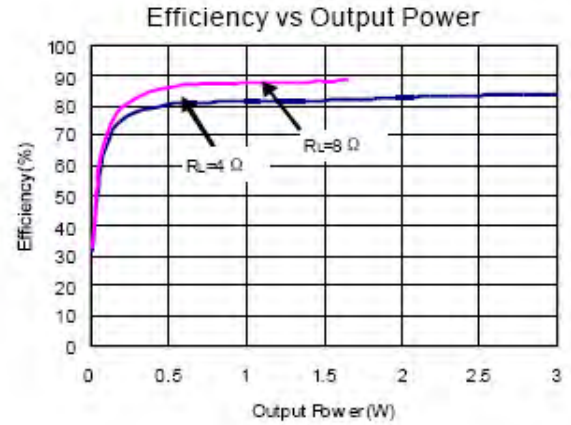
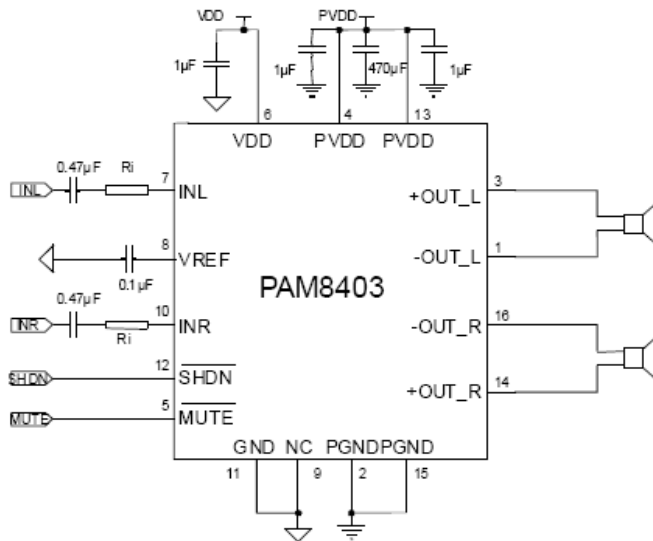
Applications

- LCD Monitors / TV Projectors
- Notebook Computers
- Portable Speakers
- Portable DVD Players, Game Machines
- Cellular Phones/Speaker Phones

Pin Assignments



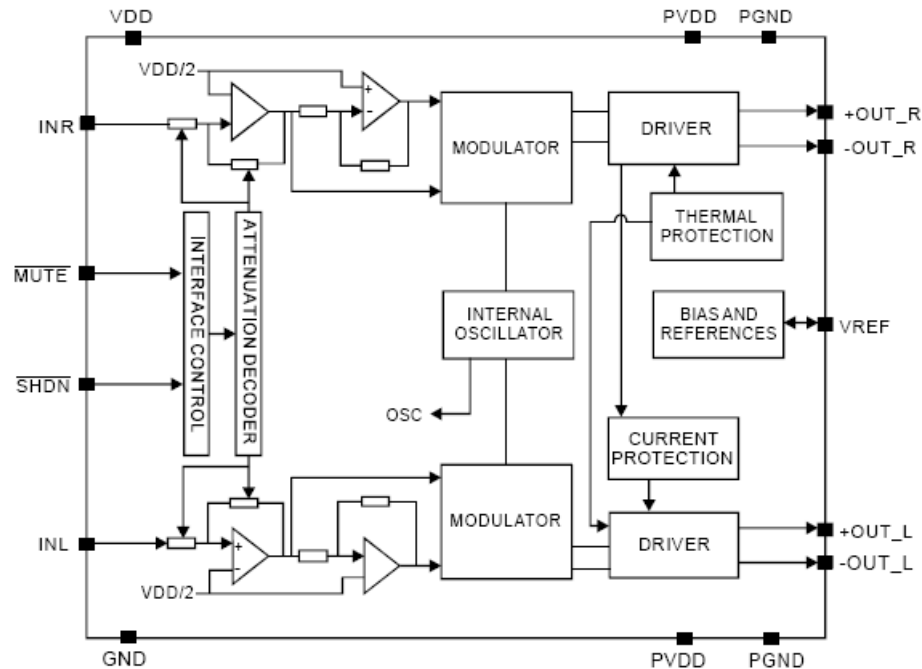
Typical Applications Circuit



Pin Descriptions

Pin Number	Pin Name	Function
1	-OUT_L	Left Channel Negative Output
2	PGND	Power GND
3	+OUT_L	Left Channel Positive Output
4	PVDD	Power V _{DD}
5	$\overline{\text{MUTE}}$	Mute Control Input (active low)
6	VDD	Analog V _{DD}
7	INL	Left Channel Input
8	VREF	Internal analog reference, connect a bypass capacitor from VREF to GND
9	NC	No connected
10	INR	Right Channel Input
11	GND	Analog GND
12	$\overline{\text{SHDN}}$	Shutdown Control Input (active low)
13	PVDD	Power V _{DD}
14	+OUT_R	Right Channel Positive Output
15	PGND	Power GND
16	-OUT_R	Right Channel Negative Output

Functional Block Diagram



Absolute Maximum Ratings (@T_A = +25°C, unless otherwise specified.)

These are stress ratings only and functional operation is not implied. Exposure to absolute maximum ratings for prolonged time periods may affect device reliability. All voltages are with respect to ground.

Parameter	Rating	Unit
Supply Voltage Range	6.0	V
Input Voltage	-0.3 to V _{DD} +0.3	
Operation Temperature Range	-40 to +85	°C
Maximum Junction Temperature	150	
Operation Junction Temperature	-40 to +125	
Storage Temperature	-65 to 150	
Soldering Temperature	300, 5sec	

Recommended Operating Conditions (@T_A = +25°C, unless otherwise specified.)

Parameter	Rating	Unit
Supply Voltage Range	2.5 to 5.5	V
Operation Temperature Range	-40 to +85	°C
Junction Temperature Range	-40 to +125	°C

Thermal Information

Parameter	Package	Symbol	Max	Unit
Thermal Resistance (Junction to Ambient)	SOP-16	θ_{JA}	110	°C/W
Thermal Resistance (Junction to Case)	SOP-16	θ_{JC}	23	
Internal Power Dissipation (@ $T_A = +25^\circ\text{C}$)	SOP-16	P_D	90	mW

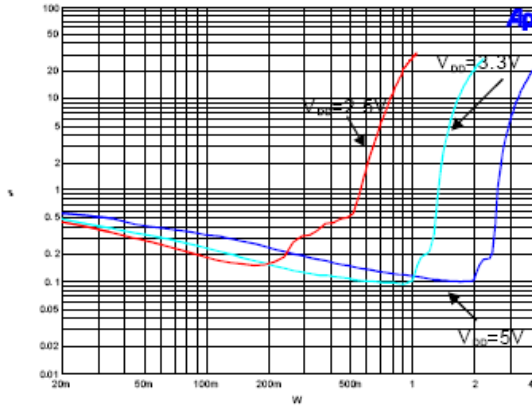
Note: 1. The maximum output current for SOT23-5 package is limited by internal power dissipation capacity as described in Application Information here in after.

Electrical Characteristics (@ $T_A = +25^\circ\text{C}$, $V_{DD} = 5\text{V}$, Gain = 24dB, $R_L = 8\Omega$, unless otherwise specified.)

Symbol	Parameter	Test Conditions	Min	Typ	Max	Units	
V_{IN}	Supply Voltage		2.5		5.5	V	
P_O	Output Power	THD+N = 10%, $f = 1\text{kHz}$, $R_L = 4\Omega$	$V_{DD} = 5.0\text{V}$	2.85	3.20	W	
		THD+N = 1%, $f = 1\text{kHz}$, $R_L = 4\Omega$	$V_{DD} = 5.0\text{V}$	2.25	2.50	W	
		THD+N = 10%, $f = 1\text{kHz}$, $R_L = 8\Omega$	$V_{DD} = 5.0\text{V}$	1.5	1.8	W	
		THD+N = 1%, $f = 1\text{kHz}$, $R_L = 8\Omega$	$V_{DD} = 5.0\text{V}$	1.2	1.4	W	
THD+N	Total Harmonic Distortion Plus Noise	$V_{DD} = 5.0\text{V}$, $P_O = 0.5\text{W}$, $R_L = 8\Omega$	$f = 1\text{kHz}$		0.15	0.20	%
		$V_{DD} = 5.0\text{V}$, $P_O = 1\text{W}$, $R_L = 4\Omega$	$f = 1\text{kHz}$		0.15	0.20	%
G_V	Gain		23	24	25	dB	
PSRR	Power Supply Ripple Rejection	$V_{DD} = 5.0\text{V}$, Inputs AC-grounded with $C_{IN} = 0.47\mu\text{F}$	$f = 100\text{Hz}$		-59	-50	dB
			$f = 1\text{kHz}$		-58	-50	dB
C_S	Crosstalk	$V_{DD} = 5\text{V}$, $P_O = 0.5\text{W}$, $R_L = 8\Omega$, $G_V = 20\text{dB}$	$f = 1\text{kHz}$		-95	-80	dB
SNR	Signal-to-Noise Ratio	$V_{DD} = 5\text{V}$, $V_{ORMS} = 1\text{V}$, $G_V = 20\text{dB}$	$f = 1\text{kHz}$	74	80	dB	
V_N	Output Noise	$V_{DD} = 5\text{V}$, Inputs AC-Grounded with $C_{IN} = 0.47\mu\text{F}$	A-weighting		100	200	
			No A-weighting		150	300	μV
I_Q	Quiescent Current	$V_{DD} = 5.0\text{V}$	No load		16	20	mA
I_{MUTE}	Muting Current	$V_{DD} = 5.0\text{V}$	$V_{MUTE} = 0.3\text{V}$		8	12	mA
I_{SD}	Shutdown Current	$V_{DD} = 2.5\text{V to } 5.5\text{V}$	$V_{SD} = 0.3\text{V}$			20	μA
V_{OS}	Output Offset Voltage	$V_{IN} = 0\text{V}$, $V_{DD} = 5\text{V}$			10		mV
V_{IH}	Enable Input High Voltage	$V_{DD} = 5.0\text{V}$		1.5			V
V_{IL}	Enable Input Low Voltage	$V_{DD} = 5.0\text{V}$				0.4	V
V_{IH}	MUTE Input High Voltage	$V_{DD} = 5.0\text{V}$		1.5			V
V_{IL}	MUTE Input Low Voltage	$V_{DD} = 5.0\text{V}$				0.4	V

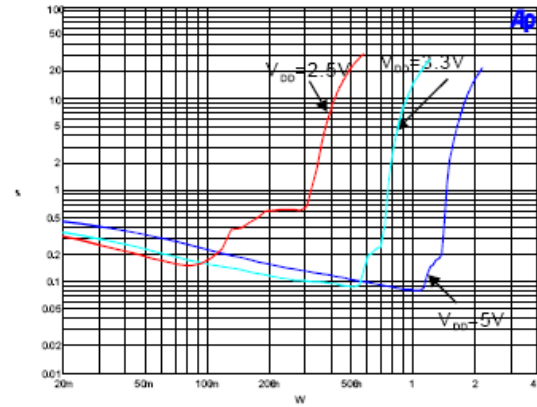
Typical Performance Characteristics (@T_A = +25°C, unless otherwise specified.)

1. THD+N vs Output Power



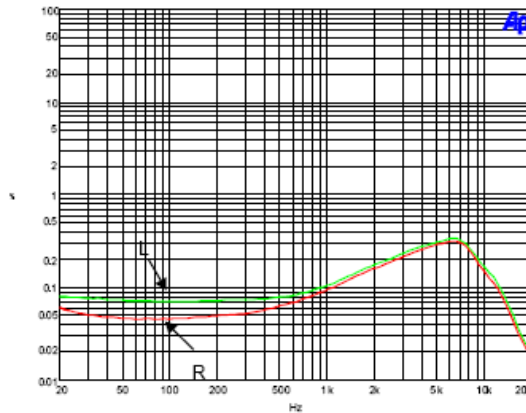
R_L=4Ω, Gain = 24dB, f=1kHz

2. THD+N vs Output Power



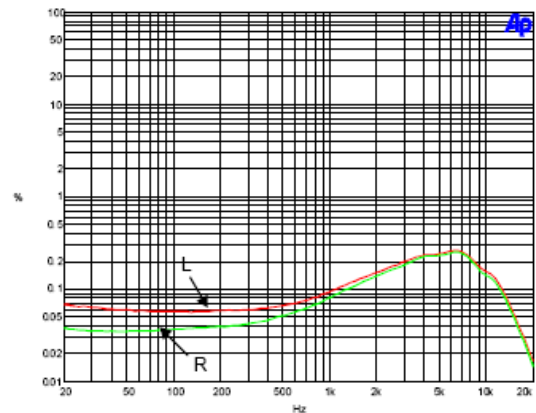
R_L=8Ω, Gain = 24dB, f=1kHz

3. THD+N vs Frequency



V_{DD}=5V, R_L=4Ω, Gain = 24dB, C_{in}=1μF

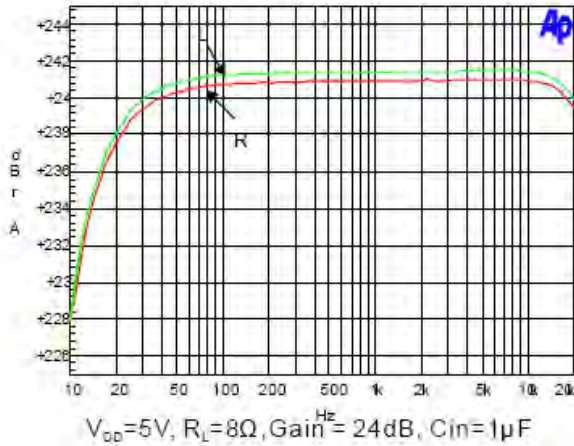
4. THD+N vs Frequency



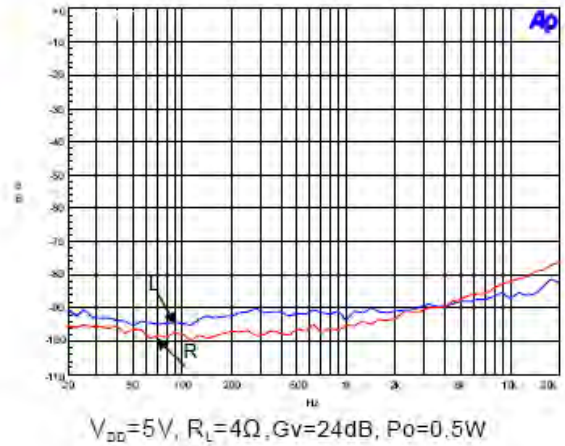
V_{DD}=5V, R_L=8Ω, Gain = 24dB, C_{in}=1μF

Typical Performance Characteristics (cont.) (@T_A = +25°C, unless otherwise specified.)

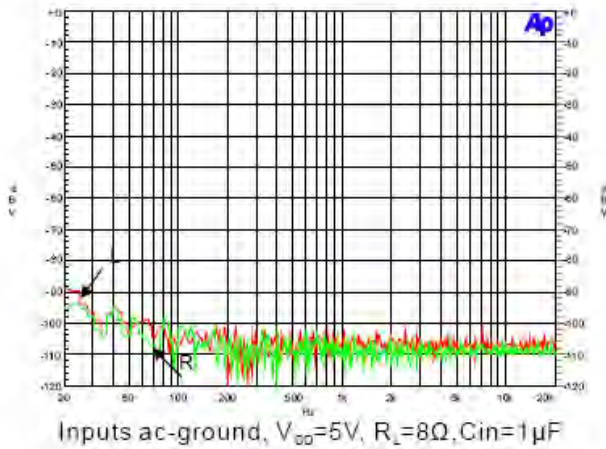
5. Frequency response



6. Crosstalk VS Frequency



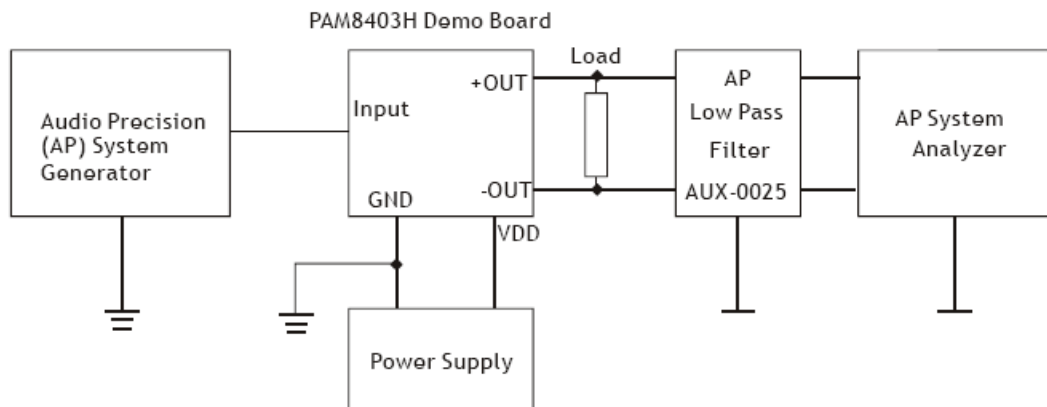
7. Noise Floor FFT



Application Information

1. When the PAM8403H works with LC filters, it should be connected with the speaker before it's powered on, otherwise it will be damaged easily.
2. When the PAM8403H works without LC filters, it's better to add a ferrite chip bead at the outgoing line of speaker for suppressing the possible electromagnetic interference.
3. The recommended operating voltage is 5.5V. When the PAM8403H is powered with four battery cells, it should be noted that the voltage of four new dry or alkaline batteries is over 6.0V, higher than its operation voltage, which will probably damage the device. Therefore, it's recommended to use either four Ni-MH (Nickel Metal Hydride) rechargeable batteries or three dry or alkaline batteries.
4. One should not make the input signal too large. Large signal can cause the clipping of output signal when increasing the volume. This will damage the device because of the big gain of the PAM8403H.
5. When testing the PAM8403H without LC filters by using resistor instead of speaker as the output load, the test results, e.g. THD or efficiency, will be worse than those of using speaker as load.

Test Setup for Performance Testing



- Notes:
1. The Audio Precision (AP) AUX-0025 low pass filter is necessary for class-D amplifier measurement with AP analyzer.
 2. Two 22μH inductors are used in series with load resistor to emulate the small speaker for efficiency measurement.

Maximum Gain

As shown in block diagram (Page 2), the PAM8403H has two internal amplifier stages. The first stage's gain is externally configurable, while the second stage's is internally fixed. The closed-loop gain of the first stage is set by selecting the ratio of R_F to R_I while the second stage's gain is fixed at 2x. The output of amplifier 1 serves as the input to amplifier 2, thus the two amplifiers produce signals identical in magnitude, but different in phase by 180°. Consequently, the differential gain for the IC is

$$A_{VD} = 20 \cdot \log [2 \cdot (R_F/R_I)]$$

The PAM8403H sets maximum $R_F = 142k$, minimum $R_I = 18k$, so the maximum closed-gain is 24dB.

Mute Operation

The \overline{MUTE} pin is an input for controlling the output state of the PAM8403H. A logic low on this pin disables the outputs, and a logic high on this pin enables the outputs. This pin may be used as a quick disable or enable of the outputs without a volume fade. Quiescent current is listed in the electrical characteristic table. The \overline{MUTE} pin can be left floating due to the internal pull-up.

Shutdown Operation

In order to reduce power consumption while not in use, the PAM8403H contains shutdown circuitry to turn off the amplifier's bias circuitry. This shutdown feature turns the amplifier off when logic low is applied to the \overline{SHDN} pin. By switching the \overline{SHDN} pin connected to GND, the PAM8403H supply current draw will be minimized in idle mode. The \overline{SHDN} pin can be left floating due to the internal pull-up.

Application Information (cont.)

Power Supply Decoupling

The PAM8403H is a high performance CMOS audio amplifier that requires adequate power supply decoupling to ensure the output THD and PSRR as low as possible. Power supply decoupling affects low frequency response. Optimum decoupling is achieved by using two capacitors of different types targeting to different types of noise on the power supply leads. For higher frequency transients, spikes, or digital hash on the line, a good low equivalent-seriesresistance (ESR) ceramic capacitor, typically 1.0 μ F, works best, placing it as close as possible to the device V_{DD} terminal. For filtering lowerfrequency noise signals, a large capacitor of 20 μ F (ceramic) or greater is recommended, placing it near the audio power amplifier.

Input Capacitor (C_I)

Large input capacitors are both expensive and space hungry for portable designs. Clearly, a certain sized capacitor is needed to couple in low frequencies without severe attenuation. But in many cases the speakers used in portable systems, whether internal or external, have little ability to reproduce signals below 100Hz to 150Hz. Thus, using a large input capacitor may not increase actual system performance. In this case, input capacitor (C_I) and input resistance (R_I) of the amplifier form a high-pass filter with the corner frequency determined by equation below,

$$f_c = \frac{1}{2\pi R_I C_I}$$

In addition to system cost and size, click and pop performance is affected by the size of the input coupling capacitor, C_I . A larger input coupling capacitor requires more charge to reach its quiescent DC voltage (nominally 1/2 V_{DD}). This charge comes from the internal circuit via the feedback and is apt to create pops upon device enable. Thus, by minimizing the capacitor size based on necessary low frequency response, turn-on pops can be minimized.

Analog Reference Bypass Capacitor (C_{BYP})

The Analog Reference Bypass Capacitor (C_{BYP}) is the most critical capacitor and serves several important functions. During start-up or recovery from shutdown mode, C_{BYP} determines the rate at which the amplifier starts up. The second function is to reduce noise caused by the power supply coupling into the output drive signal. This noise is from the internal analog reference to the amplifier, which appears as degraded PSRR and THD+N.

A ceramic bypass capacitor (C_{BYP}) with values of 0.47 μ F to 1.0 μ F is recommended for the best THD and noise performance. Increasing the bypass capacitor reduces clicking and popping noise from power on/off and entering and leaving shutdown.

Under Voltage Lock-Out (UVLO)

The PAM8403H incorporates circuitry designed to detect low supply voltage. When the supply voltage drops to 2.0V or below, the PAM8403H outputs are disabled, and the device comes out of this state and starts to normal function when $V_{DD} \geq 2.2V$.

Short Circuit Protection (SCP)

The PAM8403H has short circuit protection circuitry on the outputs to prevent damage to the device when output-to-output or output-to-GND short occurs. When a short circuit is detected on the outputs, the outputs are disabled immediately. If the short was removed, the device activates again.

Over Temperature Protection

Thermal protection on the PAM8403H prevents the device from damage when the internal die temperature exceeds 140°C. There is a degree tolerance on this trip point from device to device. Once the die temperature exceeds the thermal set point, the device outputs are disabled. This is not a latched fault. The thermal fault is cleared once the temperature of the die is reduced by 30°C. This large hysteresis will prevent motor boating sound well and the device begins normal operation at this point without external system intervention.

Application Information (cont.)

How to Reduce EMI (Electro Magnetic Interference)

A simple solution is to put an additional capacitor 1000µF at power supply terminal for power line coupling if the traces from amplifier to speakers are short (<20cm).

Most applications require a ferrite bead filter as shown in Figure 2. The ferrite filter reduces EMI of around 1MHz and higher. When selecting a ferrite bead, choose one with high impedance at high frequencies, and low impedance at low frequencies.

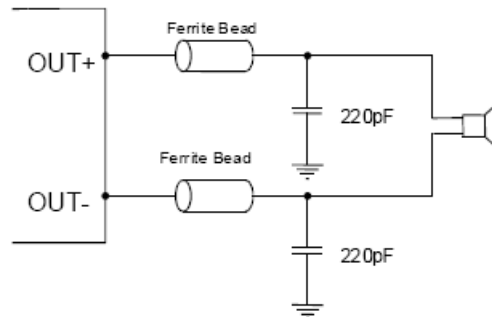
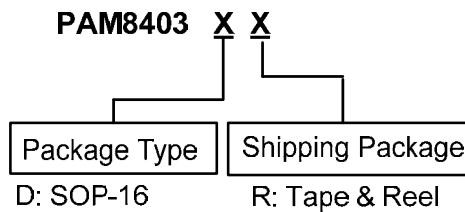


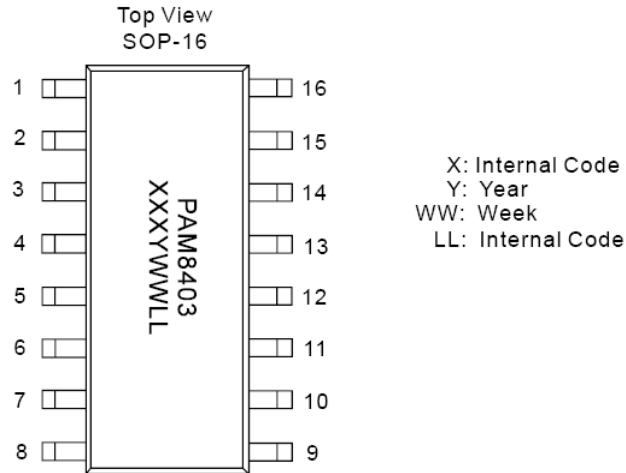
Figure 2. Ferrite Bead Filter to Reduce EMI

Ordering Information



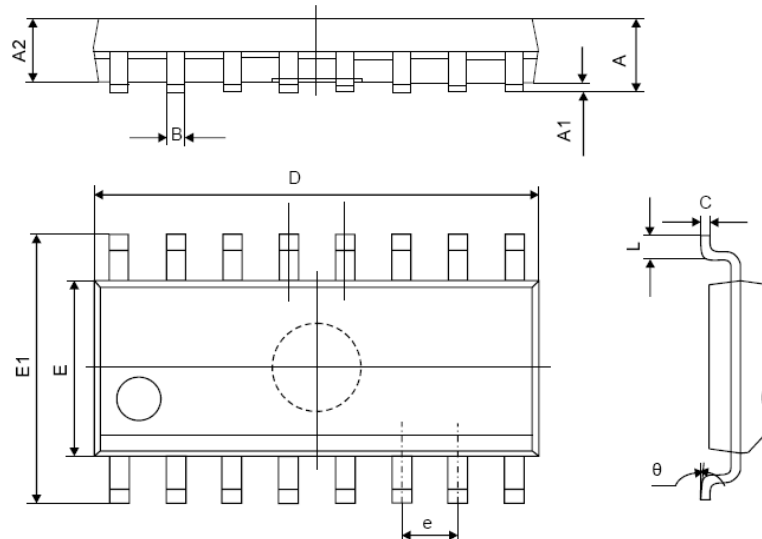
Part Number	Part Marking	Package Type	Standard Package
PAM8403DR-H	PAM8403 XXXYWWLL	SOP-16	2500 Units/Tape&Reel

Marking Information



Package Outline Dimensions (All dimensions in mm.)

SOP-16



Symbol	Dimensions Millimeters	
	Min	Max
A	1.350	1.750
A1	0.100	0.250
A2	1.350	1.550
B	0.330	0.510
C	0.190	0.250
D	9.800	10.000
E	3.800	4.000
E1	5.800	6.300
e	1.270(TYP)	
L	0.400	1.270
θ	0°	8°

IMPORTANT NOTICE

DIODES INCORPORATED MAKES NO WARRANTY OF ANY KIND, EXPRESS OR IMPLIED, WITH REGARDS TO THIS DOCUMENT, INCLUDING, BUT NOT LIMITED TO, THE IMPLIED WARRANTIES OF MERCHANTABILITY AND FITNESS FOR A PARTICULAR PURPOSE (AND THEIR EQUIVALENTS UNDER THE LAWS OF ANY JURISDICTION).

Diodes Incorporated and its subsidiaries reserve the right to make modifications, enhancements, improvements, corrections or other changes without further notice to this document and any product described herein. Diodes Incorporated does not assume any liability arising out of the application or use of this document or any product described herein; neither does Diodes Incorporated convey any license under its patent or trademark rights, nor the rights of others. Any Customer or user of this document or products described herein in such applications shall assume all risks of such use and will agree to hold Diodes Incorporated and all the companies whose products are represented on Diodes Incorporated website, harmless against all damages.

Diodes Incorporated does not warrant or accept any liability whatsoever in respect of any products purchased through unauthorized sales channel. Should Customers purchase or use Diodes Incorporated products for any unintended or unauthorized application, Customers shall indemnify and hold Diodes Incorporated and its representatives harmless against all claims, damages, expenses, and attorney fees arising out of, directly or indirectly, any claim of personal injury or death associated with such unintended or unauthorized application.

Products described herein may be covered by one or more United States, international or foreign patents pending. Product names and markings noted herein may also be covered by one or more United States, international or foreign trademarks.

This document is written in English but may be translated into multiple languages for reference. Only the English version of this document is the final and determinative format released by Diodes Incorporated.

LIFE SUPPORT

Diodes Incorporated products are specifically not authorized for use as critical components in life support devices or systems without the express written approval of the Chief Executive Officer of Diodes Incorporated. As used herein:

A. Life support devices or systems are devices or systems which:

1. are intended to implant into the body, or
2. support or sustain life and whose failure to perform when properly used in accordance with instructions for use provided in the labeling can be reasonably expected to result in significant injury to the user.

B. A critical component is any component in a life support device or system whose failure to perform can be reasonably expected to cause the failure of the life support device or to affect its safety or effectiveness.



Customers represent that they have all necessary expertise in the safety and regulatory ramifications of their life support devices or systems, and acknowledge and agree that they are solely responsible for all legal, regulatory and safety-related requirements concerning their products and any use of Diodes Incorporated products in such safety-critical, life support devices or systems, notwithstanding any devices- or systems-related information or support that may be provided by Diodes Incorporated. Further, Customers must fully indemnify Diodes Incorporated and its representatives against any damages arising out of the use of Diodes Incorporated products in such safety-critical, life support devices or systems.

Copyright © 2012, Diodes Incorporated

www.diodes.com

Looking for pricing, stock, or lifecycle information?

Click below to explore more details on WIN SOURCE:

-  [View PAM8403DR-H on WIN SOURCE](#)
-  [Diodes Incorporated Information](#)

Optimize Your Supply Chain with WIN SOURCE Solutions

-  Global Sourcing Solution
-  Obsolete Management
-  Cost Control Management
-  Shortage Management
-  Alternative Solution
-  Excess Inventory Management