

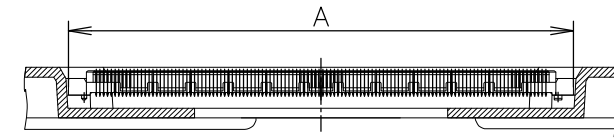
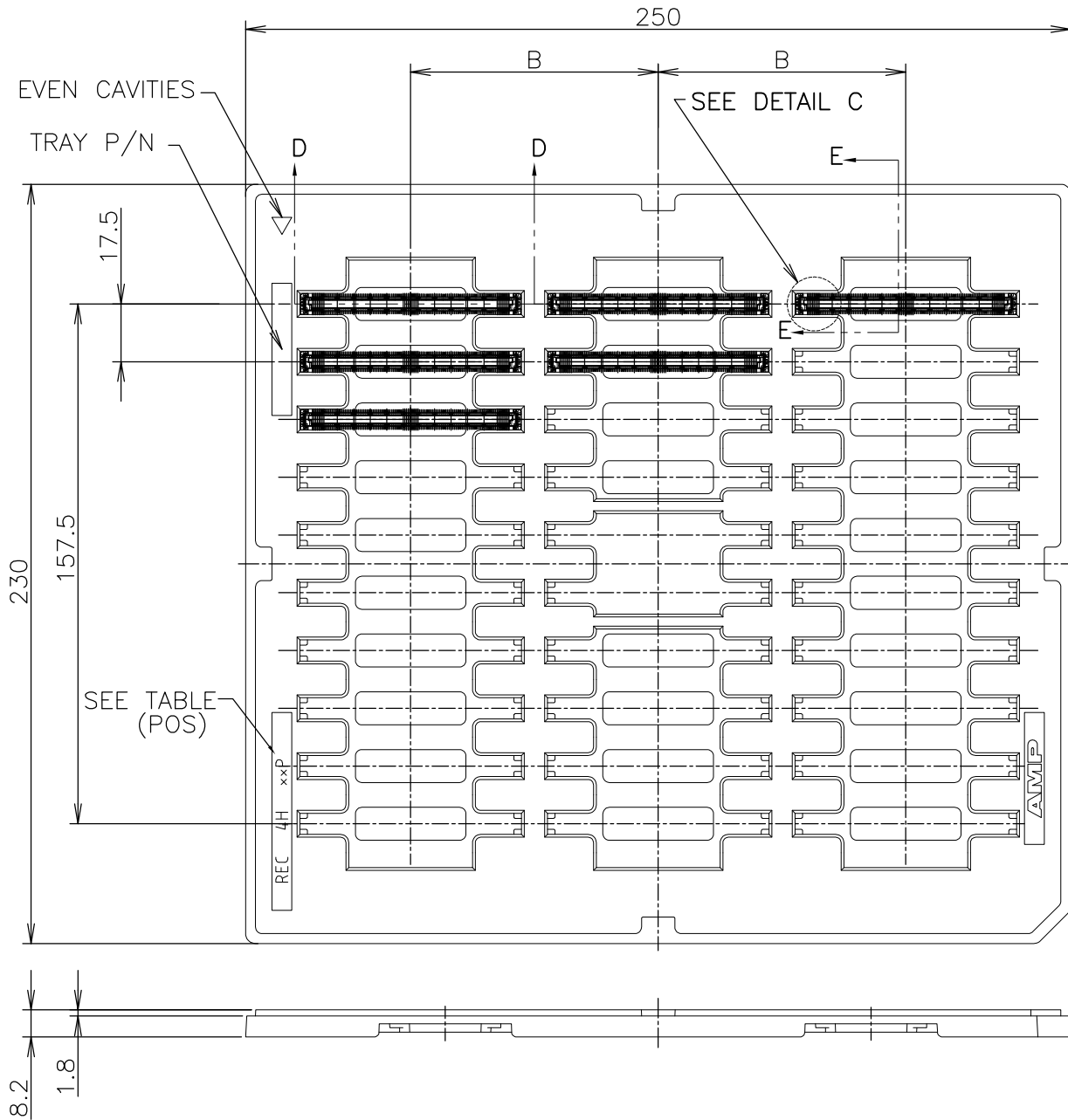


**THE DATASHEET OF**  
**3-6318490-6**

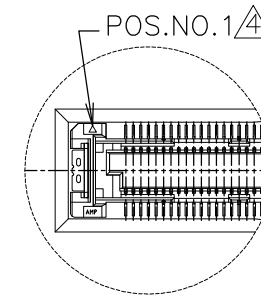


REVISIONS

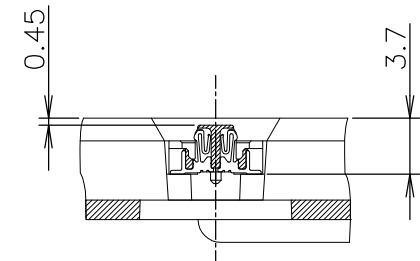
P	LTR	DESCRIPTION	DATE	DWN	APVD
B1		REVISED PER ECO-11-005033	26MAR11	RK	HMR
B2		REVISED PER ECO-16-014598	24NOV16	B.J	S.Y



SECT. D-D  
(SCALE 2:1)  
(CONNECTOR NOT SECTION)



DETAIL C  
(SCALE 2:1)



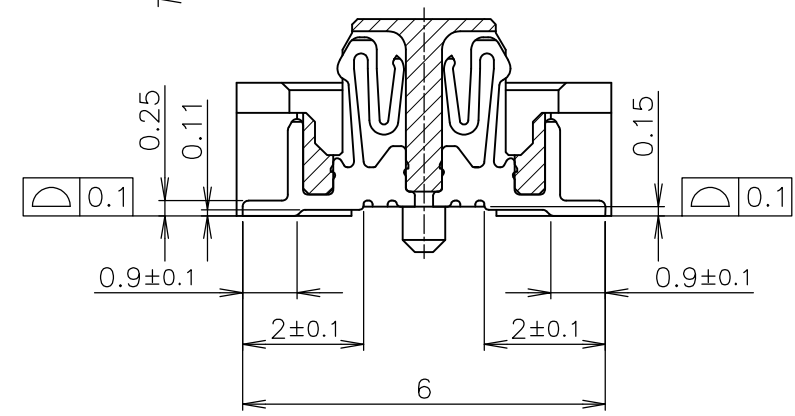
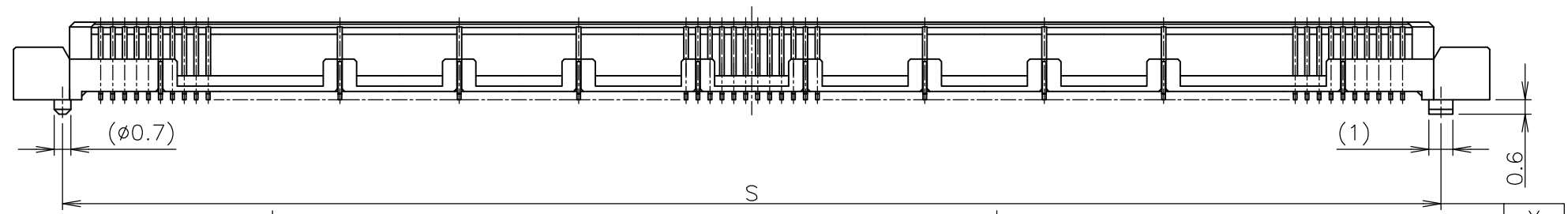
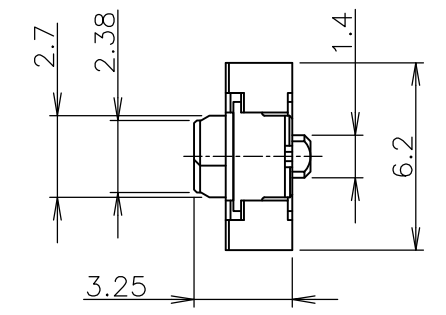
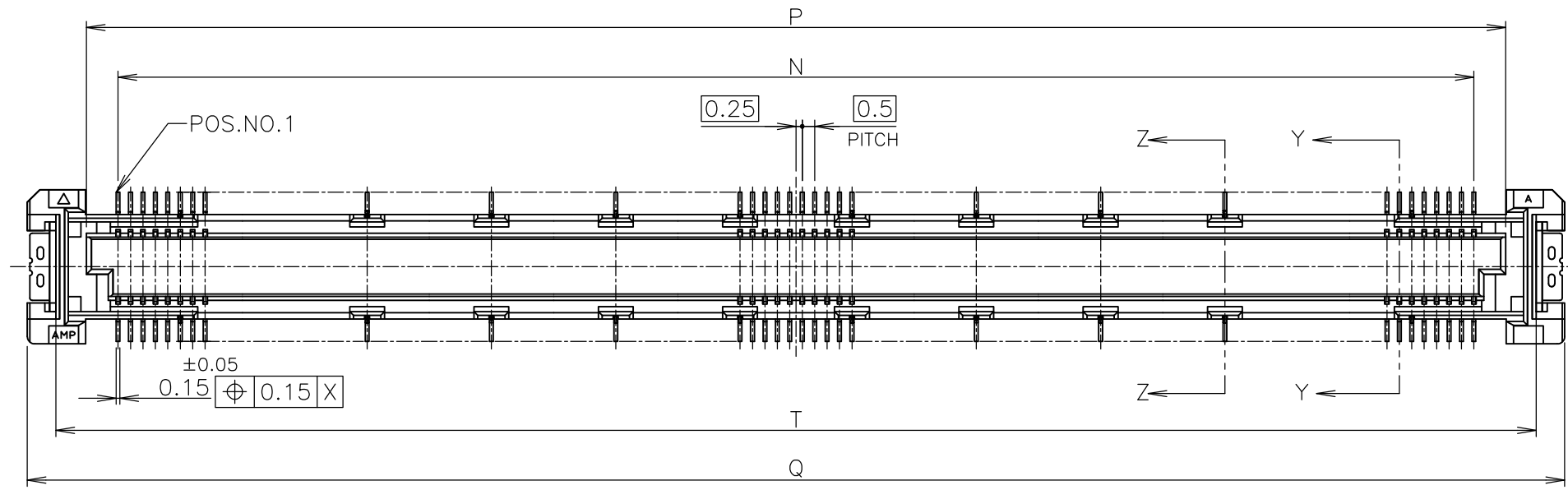
E-E  
(SCALE 2:1)

(B)	YES	3	30	75	61.8	220	8-6318490-6
	NO	3	30	75	61.8	220	3-6318490-6
	SEALANT	ROW	QTY	B	A	POS.	PART NO.

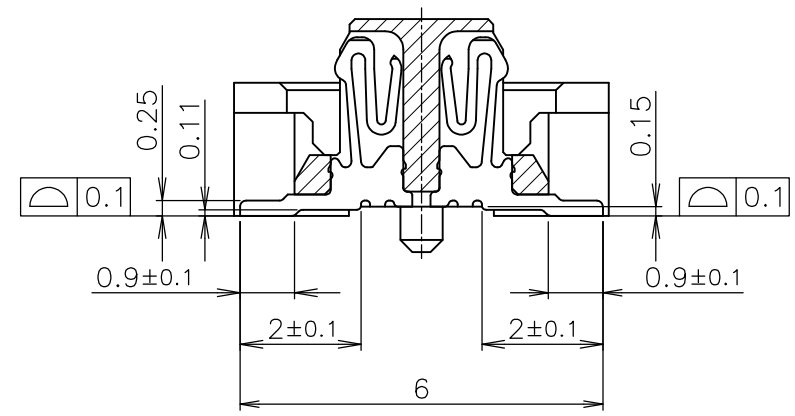
THIS DRAWING IS A CONTROLLED DOCUMENT.		DWN BILL LV 15OCT10	<b>STE</b> TE Connectivity				
DIMENSIONS: MM		CHK MARTIN LI 15OCT10					
TOLERANCES UNLESS OTHERWISE SPECIFIED:		APVD STEVEN YAO 15OCT10	NAME				
0 PLC ± 0.3		PRODUCT SPEC					
1 PLC ± 0.3		108-5560					
2 PLC ± 0.3		APPLICATION SPEC					
3 PLC ± 0.3		SIZE					
4 PLC ± 0.3		CAGE CODE					
ANGLES ± 3°		DRAWING NO					
FINISH		RESTRICTED TO					
MATERIAL		WEIGHT					
		CUSTOMER DRAWING					
		SCALE 1:2					
		SHEET 1 OF 3					
		REV B2					

THIS DRAWING IS UNPUBLISHED. RELEASED FOR PUBLICATION .2002.  
 © COPYRIGHT 2002 By - ALL RIGHTS RESERVED.

REVISIONS					
P	LTR	DESCRIPTION	DATE	DWN	APVD
-	-	SEE SHEET 1	-	-	-



SECT. Z-Z  
(GROUND POSITION)  
(SCALE 8:1)



SECT. Y-Y  
(SIGNAL POSITION)  
(SCALE 8:1)

59.5	57.7	61.8	57.1	54.5	220	BLACK	8-6318490-6
59.5	57.7	61.8	57.1	54.5	220	BLACK	3-6318490-6
T	S	Q	P	N	POS.	HSG COLOR	PART NO.

THIS DRAWING IS A CONTROLLED DOCUMENT.		DWN	TE Connectivity NAME HARD TRAY ASSY FH 0.5BTB CONNECTOR 220POS REC 4H WITH GROUND PLATE				
DIMENSIONS: MM		CHK					
TOLERANCES UNLESS OTHERWISE SPECIFIED:		APVD					
0 PLC ± 0.3 1 PLC ± 0.3 2 PLC ± 0.3 3 PLC ± 0.3 4 PLC ± 0.3 ANGLES ± 3°		PRODUCT SPEC					
MATERIAL		APVD	APPLICATION SPEC	SIZE	CAGE CODE	DRAWING NO	RESTRICTED TO
		WEIGHT	A3 00779		C-6318490		
		CUSTOMER DRAWING		SCALE	SHEET	REV	
				4:1	2 OF 3	B2	

THIS DRAWING IS UNPUBLISHED.

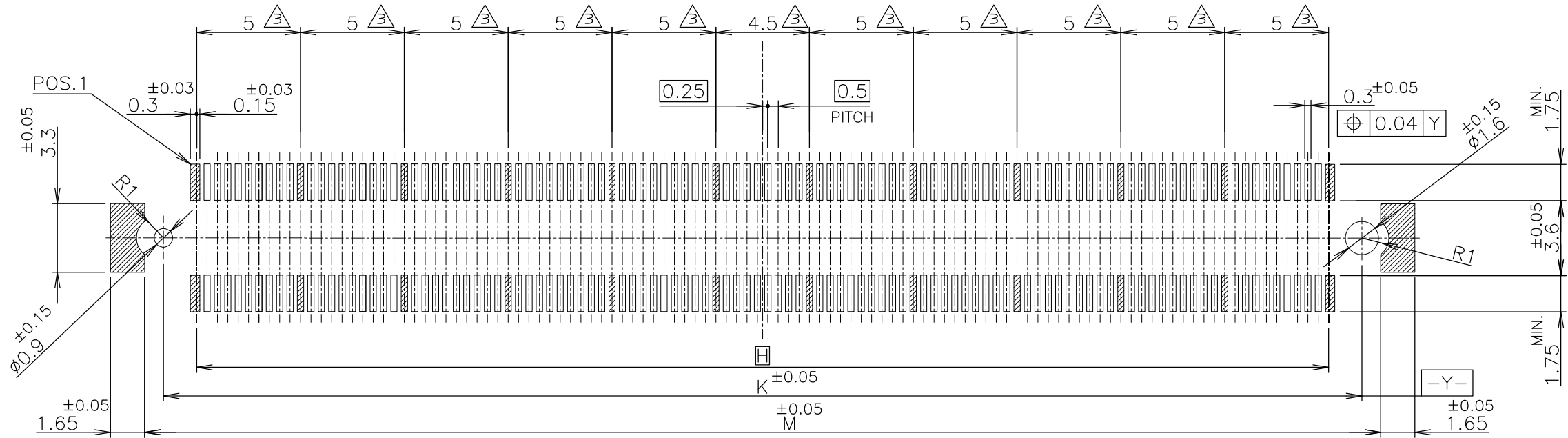
RELEASED FOR PUBLICATION ,2002.

REVISIONS

© COPYRIGHT 2002 By -

ALL RIGHTS RESERVED.

P	LTR	DESCRIPTION	DATE	DWN	APVD
-	-	SEE SHEET 1	-	-	-



REFERENCE P.C.BOARD LAYOUT

NOTES

① MATERIAL ; HOUSING : HIGH TEMP THERMO PLASTIC UL94V-0  
 CONTACT : COPPER ALLOY  
 SOLDER PEG : COPPER ALLOY

② ③ FINISH ; MEETS THE PERFORMANCE REQUIREMENTS  
 OF PRODUCT SPECIFICATION 108-5560  
 SOLDER PEG : TIN OVER Ni

④ THIS POSITION IS GROUND CIRCUIT.

⑤ THE PRODUCT WAS COATED BY FLUX-PENETRATION-INHIBITING AGENT.

59.5	57.7	54.5	220	8-6318490-6
59.5	57.7	54.5	220	3-6318490-6
M	K	H	POS	PART NO.

THIS DRAWING IS A CONTROLLED DOCUMENT.		DWN		TE Connectivity <b>HARD TRAY ASSY</b> <b>FH 0.5BTB CONNECTOR 220POS</b> <b>REC 4H WITH GROUND PLATE</b>	
DIMENSIONS: MM		CHK			
TOLERANCES UNLESS OTHERWISE SPECIFIED:		APVD			
0 PLC ± 0.3 1 PLC ± 0.3 2 PLC ± 0.3 3 PLC ± 0.3 4 PLC ± 0.3 ANGLES ± 3°		PRODUCT SPEC			
MATERIAL		FINISH		NAME	
				SIZE	
				CAGE CODE	
				DRAWING NO	
				RESTRICTED TO	
				A300779	
				C-6318490	
				SCALE 4:1	
				SHEET 3 of 3	
				REV B2	
				CUSTOMER DRAWING	

## Looking for pricing, stock, or lifecycle information?

Click below to explore more details on WIN SOURCE:

 [View 3-6318490-6 on WIN SOURCE](#)

 [TE Connectivity](#) Information

## Optimize Your Supply Chain with WIN SOURCE Solutions

-  Global Sourcing Solution
-  Obsolete Management
-  Cost Control Management
-  Shortage Management
-  Alternative Solution
-  Excess Inventory Management