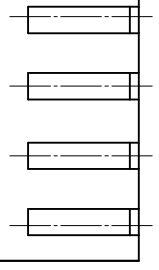
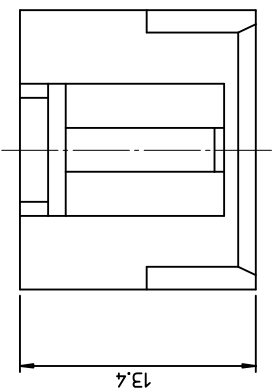
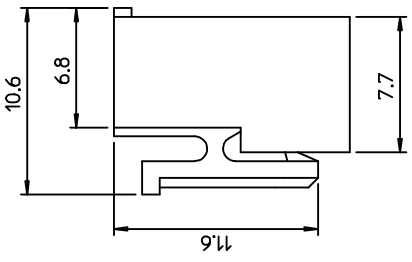
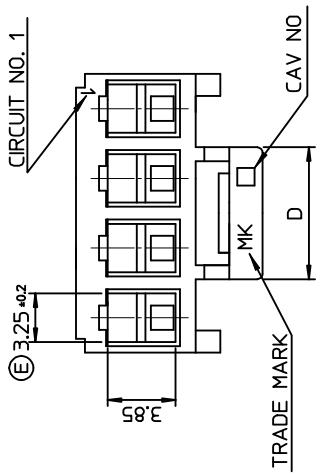




**THE DATASHEET OF**  
**35977-0390**



10 9 8 7 6 5 4 3



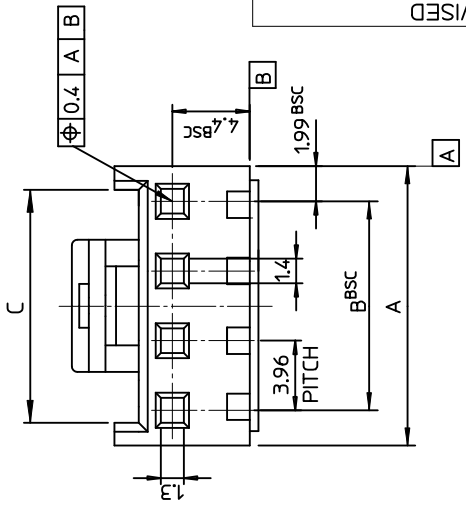
**NOTES**

1. USED WITH TERMINAL : 35922-
2. MATED WITH HEADER ASS'Y :

35977-\*\*\*\*

- COLOR : 0 - W
- 1 - BL
- 2 - R
- 3 - Y
- 4 - B
- MATERIAL 0
- CURCUIT NO. 0

19.9	56.88	55.44	59.42	A
19.9	52.92	51.48	55.46	B
19.9	48.96	47.52	51.5	C
19.9	45.0	43.56	47.54	D
19.9	41.04	39.6	43.58	A
19.9	37.08	35.64	39.62	B
17.7	33.12	31.68	35.66	C
15.7	29.16	27.72	31.70	D
13.7	25.20	23.76	27.74	A
	21.24	19.80	23.78	B
7.5	17.28	15.84	19.82	C
	13.32	11.88	15.86	A
	9.36	7.92	11.90	B
3.5	5.4	3.96	7.94	C
D				A



QUALITY SYMBOLS	GENERAL TOLERANCES (UNLESS SPECIFIED)	DIMENSION STYLE	SCALE
= 0 = 0.30 ANGULAR ± 2 °	4 PLACES ± --- INCH 3 PLACES ± --- 2 PLACES ± --- 1 PLACE ± 0.30 ± --- ANGULAR ± 2 °	MM ONLY	3
DRWN: JHPARK01 2009/05/24 CHK: DWYANG 2009/05/24 APPR: YUNSIKKIM 2009/05/22 REVISED	EC NO: KOR2009-0137 F	DRAWN BY YR. WJ 1999/05/06 CHECKED BY JH. OH 1999/05/06 APPROVED BY CW. LEE 1999/05/06 MATERIAL NO. SEE TABLE	TITLE DATE DATE DATE DOCUMENT

DRAFT WHERE APPLICABLE MUST REMAIN WITHIN DIMENSIONS

THIS DRAWING CONTAINS INCORPORATED AND SHOULD

## Looking for pricing, stock, or lifecycle information?

Click below to explore more details on WIN SOURCE:

 [View 35977-0390 on WIN SOURCE](#)

 [Molex, LLC Information](#)

## Optimize Your Supply Chain with WIN SOURCE Solutions

-  Global Sourcing Solution
-  Obsolete Management
-  Cost Control Management
-  Shortage Management
-  Alternative Solution
-  Excess Inventory Management