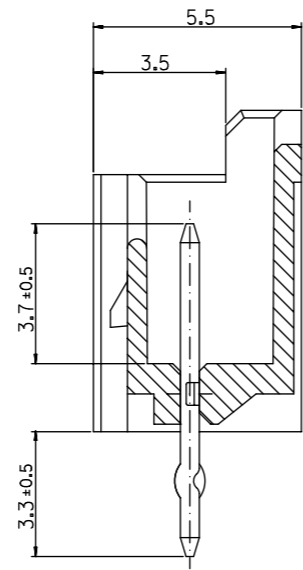
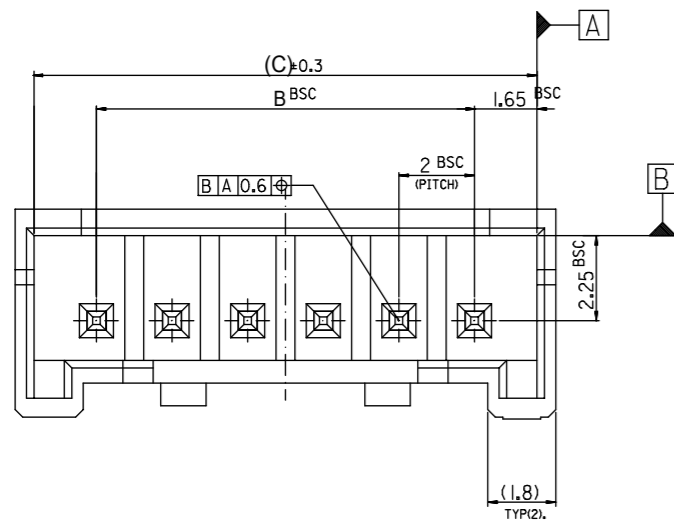


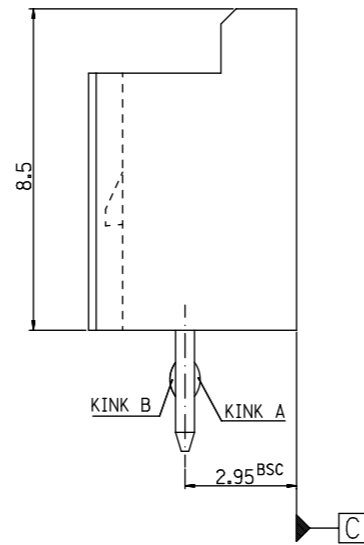
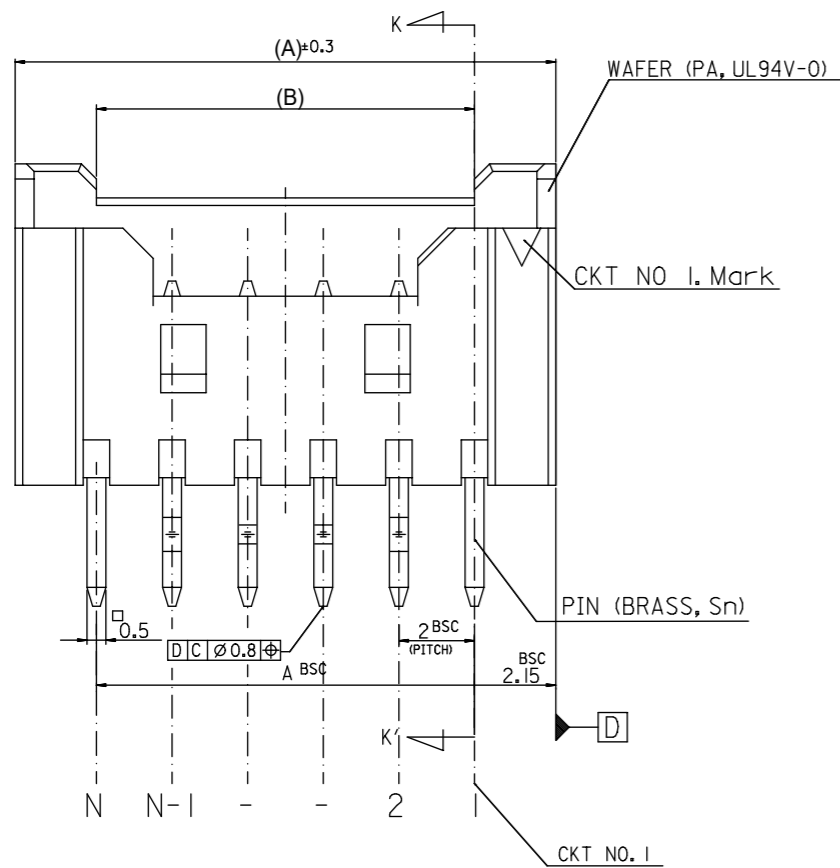
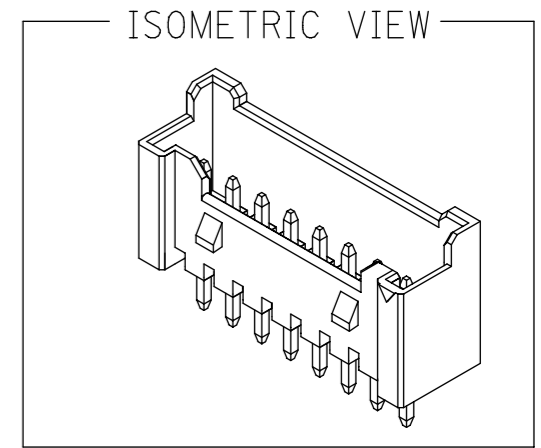
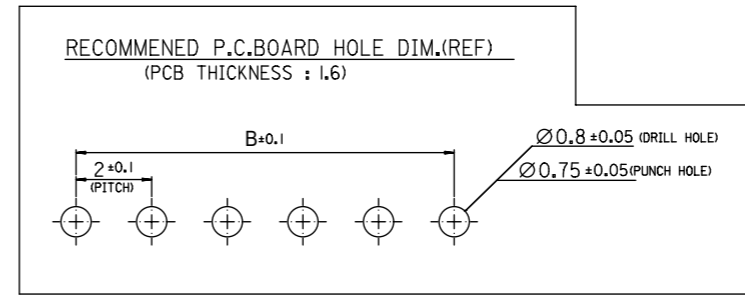


THE DATASHEET OF
35362-0650





SECTION K-K'



LEGEND

SD-35362-****
 CKT NO. _____ COLOR _____

FINAL GOOD (BULK) — 5 : SELECTIVE KINK (LEAD FREE)
 — 6 : NONE KINK (LEAD FREE)

SUB ASSY (TUBE) — 7 : SELECTIVE KINK (LEAD FREE)
 — 8 : NONE KINK (LEAD FREE)

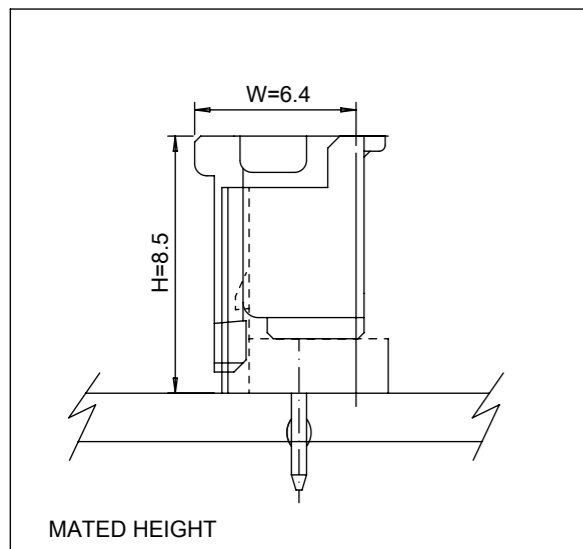
COLOR — 0 : NATURAL
 — 1 : BLACK
 — 2 : RED
 — 3 : YELLOW
 — 4 : BLUE
 — 5 : GREEN
 — 6 : TUBE PACKING (NaturalColor)
 — 7 : TUBE PACKING (Red Color)
 — 8 : TUBE PACKING (Blue Color)

NOTES

- MATERIAL : UNFILLED POLYAMIDE, UL94V-0
PIN : BRASS
- FINISHES : PIN - Tin(Sn) 1.0~3.0m OVERALL
Cu 1.5~3.75m OVERALL
- PRODUCT SPECIFICATION : PS-35507-003
- MATING HOUSING : 35507-**0*
MATING TERMINAL : 50212-8000
- KINK

CKT NO / CKT	1	2	3	4	5	N-2	N-1	N
6 CKT OVER	—	A	B	—	—	B	A	—
5 CKT	A	B	—	B	A			
4 CKT	A	B	B	A				

31.3	28	32.3	3536215**	35362-15**	15
29.3	26	30.3	3536214**	35362-14**	14
27.3	24	28.3	3536213**	35362-13**	13
25.3	22	26.3	3536212**	35362-12**	12
23.3	20	24.3	3536211**	35362-11**	11
21.3	18	22.3	3536210**	35362-10**	10
19.3	16	20.3	3536209**	35362-09**	9
17.3	14	18.3	3536208**	35362-08**	8
15.3	12	16.3	3536207**	35362-07**	7
13.3	10	14.3	3536206**	35362-06**	6
11.3	8	12.3	3536205**	35362-05**	5
9.3	6	10.3	3536204**	35362-04**	4
(C)	B	(A)	ENG. NO.	ENG. NO.	CKT



LEAD FREE	SYMBOLS	THIS DRAWING CONTAINS INFORMATION THAT IS PROPRIETARY TO MOLEX ELECTRONIC TECHNOLOGIES, LLC AND SHOULD NOT BE USED WITHOUT WRITTEN PERMISSION		CURRENT REV DESC:				
	30 over ±0.3	mm	SCALE 5:1					
10 over 30 under ±0.25	GENERAL TOLERANCES (UNLESS SPECIFIED)	4 PLACES ±		DRWN: JSSHIN	2018/10/11	2.0 WB WAFER ASSY -LEAD FREE-		
10 under ±0.2	ANGULAR TOL ± °	3 PLACES ±		CHK'D: SHCHU	2018/10/15	PRODUCT CUSTOMER DRAWING		
ANGLE ±3°	1 PLACE ±	2 PLACES ±		APPR: YSKIM02	2018/10/16	DOCUMENT NUMBER		
GENERAL TOLERANCE	0 PLACES ±	1 PLACE ±		INITIAL REVISION:		SD-35362-002		
	DRAFT WHERE APPLICABLE MUST REMAIN WITHIN DIMENSIONS	THIRD ANGLE PROJECTION		DRWN: DYJANG	2004/09/01	DOC TYPE DOC PART REVISION		
		DRAWING A3-SIZE		APPR: CHANGWOOLEE	2004/09/02	PSD 001 F2		
		SERIES 35362		MATERIAL NUMBER		CUSTOMER		
		SEE TABLE		GENERAL MARKET		SHEET NUMBER 1 OF 1		

Looking for pricing, stock, or lifecycle information?

Click below to explore more details on WIN SOURCE:

 [View 35362-0650 on WIN SOURCE](#)

 [Molex, LLC Information](#)

Optimize Your Supply Chain with WIN SOURCE Solutions

-  Global Sourcing Solution
-  Obsolete Management
-  Cost Control Management
-  Shortage Management
-  Alternative Solution
-  Excess Inventory Management