



**THE DATASHEET OF
P2103AAL**



SIDACtor® Balanced Series - Modified TO-220



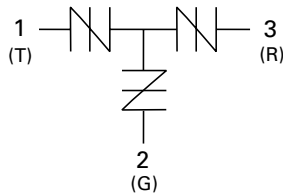
Agency Approvals

| Agency | Agency File Number |
|--------|--------------------|
| | E133083 |

Pinout Designation



Schematic Symbol



Description

The SIDACtor® Balanced Series are designed to protect baseband equipment from damaging overvoltage transients. The patented “Y” configuration also ensures balanced overvoltage protection that prevents a longitudinal to differential conversion.

The series provides a single port through-hole solution that enables voice through DS-1 equipment to comply with various global regulatory standards.

Features and Benefits

- Low voltage overshoot
- Low on-state voltage
- Does not degrade surge capability after multiple surge events within limit.
- Fails short circuit when surged in excess of ratings
- Low capacitance
- Balanced overvoltage protection
- Single port protection
- Custom lead forms available
- RoHS Compliant and Lead-Free
- Pb-free E3 means 2nd level interconnect is Pb-free and the terminal finish material is tin(Sn) (IPC/JEDEC J-STD-609A.01)

Applicable Global Standards

- TIA-968-A
- TIA-968-B
- ITU K.20/21/45 Enhanced Level*
- ITU K.20/21/45 Basic Level
- GR 1089 Inter-building*
- GR 1089 Intra-building
- IEC 61000-4-5 2nd edition
- YD/T 1082
- YD/T 993
- YD/T 950

*A/B-rated parts require series resistance

Electrical Characteristics

| Part Number | Marking | V_{DRM} | V_S | V_{DRM} | V_S | I_H | I_S | I_T | $V_T @ I_T = 2.2 \text{ Amps}$ | Capacitance |
|-------------|---------|----------------------|----------------|----------------------|----------------|--------|--------|-------|--------------------------------|------------------------------|
| | | @ $I_{DRM} = 5\mu A$ | @ $100V/\mu s$ | @ $I_{DRM} = 5\mu A$ | @ $100V/\mu s$ | | | | $V \text{ max}$ | |
| | | V min | V max | V min | V max | | | | | |
| | | Pins 1-2, 3-2 | | Pins 1-3 | | mA min | mA max | A max | | |
| P1553AALxx | P1553AA | 130 | 180 | 130 | 180 | 150 | 800 | 2.2 | 8 | See Capacitance Values table |
| P1803AALxx | P1803AA | 150 | 210 | 150 | 210 | 150 | 800 | 2.2 | 8 | |
| P2103AALxx | P2103AA | 170 | 250 | 170 | 250 | 150 | 800 | 2.2 | 8 | |
| P2353AALxx | P2353AA | 200 | 270 | 200 | 270 | 150 | 800 | 2.2 | 8 | |
| P2703AALxx | P2703AA | 230 | 300 | 230 | 300 | 150 | 800 | 2.2 | 8 | |
| P3203AALxx | P3203AA | 270 | 350 | 270 | 350 | 150 | 800 | 2.2 | 8 | |
| P3403AALxx | P3403AA | 300 | 400 | 300 | 400 | 150 | 800 | 2.2 | 8 | |
| P5103AALxx | P5103AA | 420 | 600 | 420 | 600 | 150 | 800 | 2.2 | 8 | |
| P1553ABLxx | P1553AB | 130 | 180 | 130 | 180 | 150 | 800 | 2.2 | 8 | |
| P1803ABLxx | P1803AB | 150 | 210 | 150 | 210 | 150 | 800 | 2.2 | 8 | |
| P2103ABLxx | P2103AB | 170 | 250 | 170 | 250 | 150 | 800 | 2.2 | 8 | |

Table continues on next page.

| Part Number | Marking | V_{DRM} @ $I_{DRM}=5\mu A$ | | V_S @ 100V/ μs | | V_{DRM} @ $I_{DRM}=5\mu A$ | | V_S @ 100V/ μs | | I_H | I_S | I_T | V_T @ $I_T=$ 2.2 Amps | Capacitance |
|-------------|---------|---------------------------------|-------|--------------------------|-------|---------------------------------|--------|--------------------------|-------|-------|-------|-------|----------------------------|------------------------------------|
| | | V min | V max | V min | V max | V min | V max | V min | V max | | | | | |
| | | Pins 1-2, 3-2 | | Pins 1-3 | | mA min | mA max | A max | V max | | | | | |
| P2353ABLxx | P2353AB | 200 | 270 | 200 | 270 | 150 | 800 | 2.2 | 8 | | | | | See Capacitance Values table |
| P2703ABLxx | P2703AB | 230 | 300 | 230 | 300 | 150 | 800 | 2.2 | 8 | | | | | |
| P3203ABLxx | P3203AB | 270 | 350 | 270 | 350 | 150 | 800 | 2.2 | 8 | | | | | |
| P3403ABLxx | P3403AB | 300 | 400 | 300 | 400 | 150 | 800 | 2.2 | 8 | | | | | |
| P5103ABLxx | P5103AB | 420 | 600 | 420 | 600 | 150 | 800 | 2.2 | 8 | | | | | |
| P1553ACLxx | P1553AC | 130 | 180 | 130 | 180 | 150 | 800 | 2.2 | 8 | | | | | |
| P1803ACLxx | P1803AC | 150 | 210 | 150 | 210 | 150 | 800 | 2.2 | 8 | | | | | |
| P2103ACLxx | P2103AC | 170 | 250 | 170 | 250 | 150 | 800 | 2.2 | 8 | | | | | |
| P2353ACLxx | P2353AC | 200 | 270 | 200 | 270 | 150 | 800 | 2.2 | 8 | | | | | |
| P2703ACLxx | P2703AC | 230 | 300 | 230 | 300 | 150 | 800 | 2.2 | 8 | | | | | |
| P3203ACLxx | P3203AC | 270 | 350 | 270 | 350 | 150 | 800 | 2.2 | 8 | | | | | |
| P3403ACLxx | P3403AC | 300 | 400 | 300 | 400 | 150 | 800 | 2.2 | 8 | | | | | |
| P5103ACLxx | P5103AC | 420 | 600 | 420 | 600 | 150 | 800 | 2.2 | 8 | | | | | |

Notes:
 - Absolute maximum ratings measured at $T_A = 25^\circ C$.
 - Components are bi-directional.
 - **XX** Part Number Suffix: **RP** (Reel Pack), **Blank** (Bulk Pack), or **60** (Type 60 lead form, Bulk Pack)

Capacitance Values

| Part Number | pF Pin 1-2 / 3-2 Tip-Ground, Ring-Ground | | pF Pin 1-3 Tip-Ring | |
|-------------|--|-----|---------------------------|-----|
| | MIN | MAX | MIN | MAX |
| | P1553AALxx | 10 | 45 | 10 |
| P1803AALxx | 20 | 40 | 10 | 30 |
| P2103AALxx | 15 | 35 | 10 | 25 |
| P2353AALxx | 15 | 35 | 10 | 25 |
| P2703AALxx | 15 | 35 | 10 | 25 |
| P3203AALxx | 15 | 30 | 10 | 20 |
| P3403AALxx | 15 | 30 | 10 | 20 |
| P5103AALxx | 10 | 60 | 10 | 40 |
| P1553ABLxx | 25 | 95 | 15 | 60 |
| P1803ABLxx | 25 | 85 | 15 | 55 |
| P2103ABLxx | 20 | 85 | 10 | 55 |
| P2353ABLxx | 20 | 75 | 15 | 50 |

| Part Number | pF Pin 1-2 / 3-2 Tip-Ground, Ring-Ground | | pF Pin 1-3 Tip-Ring | |
|-------------|--|-----|---------------------------|-----|
| | MIN | MAX | MIN | MAX |
| | P2703ABLxx | 20 | 75 | 10 |
| P3203ABLxx | 20 | 70 | 10 | 45 |
| P3403ABLxx | 15 | 65 | 10 | 45 |
| P5103ABLxx | 15 | 60 | 10 | 40 |
| P1553ACLxx | 30 | 95 | 20 | 60 |
| P1803ACLxx | 30 | 85 | 15 | 55 |
| P2103ACLxx | 30 | 85 | 15 | 55 |
| P2353ACLxx | 25 | 75 | 15 | 50 |
| P2703ACLxx | 25 | 75 | 15 | 50 |
| P3203ACLxx | 25 | 70 | 15 | 45 |
| P3403ACLxx | 20 | 65 | 15 | 45 |
| P5103ACLxx | 20 | 60 | 10 | 40 |

Note: Off-state capacitance (C_o) is measured at 1 MHz with a 2 V bias.

Surge Ratings

| Series | I_{PP} | | | | | | | | | I_{TSM} 50/60 Hz | di/dt A |
|--------|--|--|--|--|--|--|--|--|---|-----------------------|------------|
| | 0.2/310 ¹ 0.5/700 ² | 2/10 ¹ 2/10 ² | 8/20 ¹ 1.2/50 ² | 10/160 ¹ 10/160 ² | 10/560 ¹ 10/560 ² | 5/320 ¹ 9/720 ² | 10/360 ¹ 10/360 ² | 10/1000 ¹ 10/1000 ² | 5/310 ¹ 10/700 ² | | |
| | A min | A min | A min | A min | A min | A min | A min | A min | A min | | |
| A | 20 | 150 | 150 | 90 | 50 | 75 | 75 | 45 | 75 | 20 | 500 |
| B | 25 | 250 | 250 | 150 | 100 | 100 | 125 | 80 | 100 | 25 | 500 |
| C | 50 | 500 | 400 | 200 | 150 | 200 | 175 | 100 | 200 | 50 | 500 |

Notes:
 - Peak pulse current rating (I_{pp}) is repetitive and guaranteed for the life of the product.
 1 Current waveform in μs - I_{pp} ratings applicable over temperature range of $-40^\circ C$ to $+85^\circ C$
 2 Voltage waveform in μs - The component must initially be in thermal equilibrium with $-40^\circ C \leq T_j \leq +150^\circ C$

Thermal Considerations

| Package | Symbol | Parameter | Value | Unit |
|--|-----------------|---|-------------|------|
| Modified TO-220  | T_J | Operating Junction Temperature Range | -40 to +150 | °C |
| | T_S | Storage Temperature Range | -65 to +150 | °C |
| | $R_{\theta JA}$ | Thermal Resistance: Junction to Ambient | 50 | °C/W |

V-I Characteristics



$t_r \times t_d$ Pulse Waveform



Normalized V_S Change vs. Junction Temperature

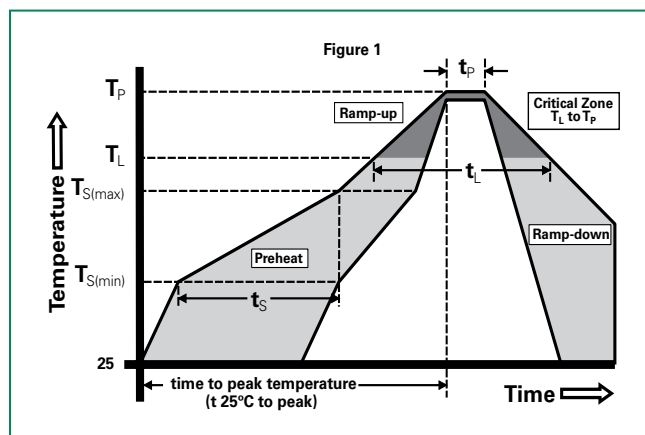


Normalized DC Holding Current vs. Case Temperature



Soldering Parameters

| | | |
|--|-----------------------------------|-------------------------------|
| Reflow Condition | | Pb-Free assembly (see Fig. 1) |
| Pre Heat | -Temperature Min ($T_{s(min)}$) | +150°C |
| | -Temperature Max ($T_{s(max)}$) | +200°C |
| | -Time (Min to Max) (t_s) | 60-180 secs. |
| Average ramp up rate (Liquidus Temp (T_L) to peak) | | 3°C/sec. Max. |
| $T_{s(max)}$ to T_L - Ramp-up Rate | | 3°C/sec. Max. |
| Reflow | -Temperature (T_L) (Liquidus) | +217°C |
| | -Temperature (t_L) | 60-150 secs. |
| Peak Temp (T_p) | | +260(+0/-5)°C |
| Time within 5°C of actual Peak Temp (t_p) | | 30 secs. Max. |
| Ramp-down Rate | | 6°C/sec. Max. |
| Time 25°C to Peak Temp (T_p) | | 8 min. Max. |
| Do not exceed | | +260°C |



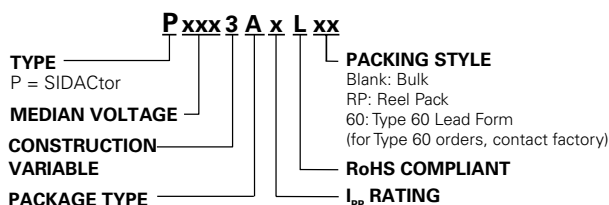
Physical Specifications

| | |
|------------------------|---|
| Lead Material | Copper Alloy |
| Terminal Finish | 100% Matte-Tin Plated |
| Body Material | UL Recognized epoxy meeting flammability classification V-0 |

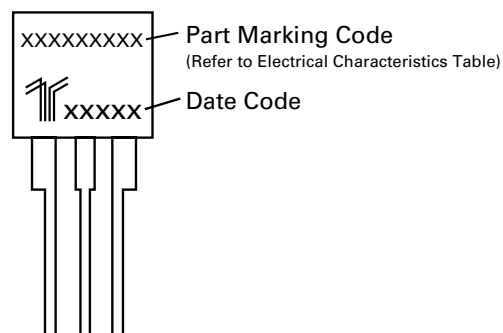
Environmental Specifications

| | |
|---|---|
| High Temp Voltage Blocking | 80% Rated V_{DRM} (V_{AC} Peak) +125°C or +150°C, 504 or 1008 hrs. MIL-STD-750 (Method 1040) JEDEC, JESD22-A-101 |
| Temp Cycling | -65°C to +150°C, 15 min. dwell, 10 up to 100 cycles. MIL-STD-750 (Method 1051) EIA/JEDEC, JESD22-A104 |
| Biased Temp & Humidity | 52 V_{DC} (+85°C) 85%RH, 504 up to 1008 hrs. EIA/JEDEC, JESD22-A-101 |
| High Temp Storage | +150°C 1008 hrs. MIL-STD-750 (Method 1031) JEDEC, JESD22-A-101 |
| Low Temp Storage | -65°C, 1008 hrs. |
| Thermal Shock | 0°C to +100°C, 5 min. dwell, 10 sec. transfer, 10 cycles. MIL-STD-750 (Method 1056) JEDEC, JESD22-A-106 |
| Autoclave (Pressure Cooker Test) | +121°C, 100%RH, 2atm, 24 up to 168 hrs. EIA/JEDEC, JESD22-A-102 |
| Resistance to Solder Heat | +260°C, 30 secs. MIL-STD-750 (Method 2031) |
| Moisture Sensitivity Level | 85%RH, +85°C, 168 hrs., 3 reflow cycles (+260°C Peak). JEDEC-J-STD-020, Level 1 |

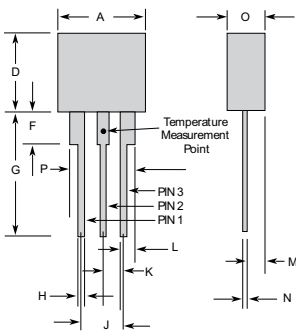
Part Numbering



Part Marking



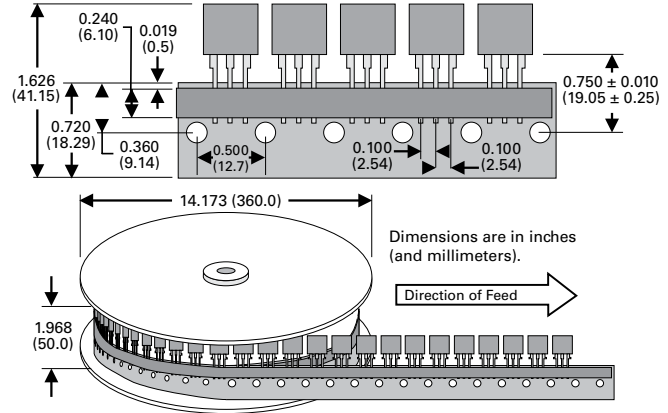
Dimensions - Modified TO-220



The modified TO-220 package is designed to meet mechanical standards as set forth in JEDEC publication number 95.

| | Inches | | Millimeters | |
|----------|--------|-------|-------------|-------|
| | Min | Max | Min | Max |
| A | 0.400 | 0.410 | 10.16 | 10.42 |
| D | 0.360 | 0.375 | 9.14 | 9.53 |
| F | 0.110 | 0.130 | 2.80 | 3.30 |
| G | 0.540 | 0.575 | 13.71 | 14.61 |
| H | 0.025 | 0.035 | 0.63 | 0.89 |
| J | 0.195 | 0.205 | 4.95 | 5.21 |
| K | 0.095 | 0.105 | 2.41 | 2.67 |
| L | 0.060 | 0.075 | 1.52 | 1.90 |
| M | 0.070 | 0.085 | 1.78 | 2.16 |
| N | 0.018 | 0.024 | 0.46 | 0.61 |
| O | 0.178 | 0.188 | 4.52 | 4.78 |
| P | 0.290 | 0.310 | 7.37 | 7.87 |

Tape and Reel Specification — Modified TO-220



Packing Options

| Package Type | Description | Packaging Quantity | Added Suffix | Industry Standard |
|--------------|---|--------------------|---|-------------------|
| A | Modified TO-220 Tape and Reel Pack | 700 | RP | EIA-468-B |
| | Modified TO-220 Bulk Pack | 500 | N / A (no suffix required) | EIA-468-B |
| | Modified TO-220 Type 60 Lead Form Bulk Pack | 500 | 60 (special order item, contact factory for details) | N/A |

Additional Information



Datasheet



Resources



Samples

Disclaimer Notice - Information furnished is believed to be accurate and reliable. However, users should independently evaluate the suitability of and test each product selected for their own applications. Littelfuse products are not designed for, and may not be used in, all applications. Read complete Disclaimer Notice at www.littelfuse.com/disclaimer-electronics.

Looking for pricing, stock, or lifecycle information?

Click below to explore more details on WIN SOURCE:

 [View P2103AAL on WIN SOURCE](#)

 [Littelfuse Inc. Information](#)

Optimize Your Supply Chain with WIN SOURCE Solutions

-  Global Sourcing Solution
-  Obsolete Management
-  Cost Control Management
-  Shortage Management
-  Alternative Solution
-  Excess Inventory Management