



**THE DATASHEET OF
OSTHX202301**



5

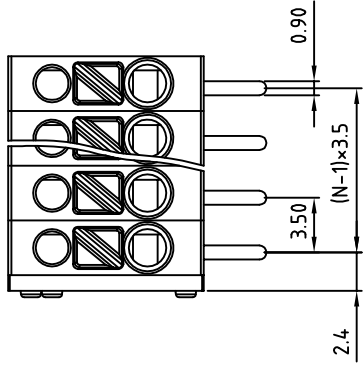
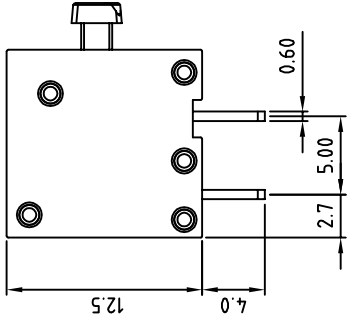
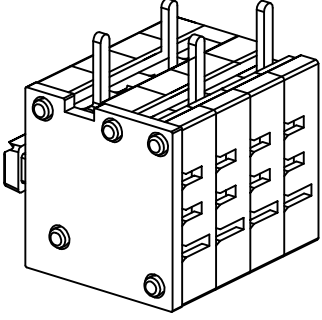
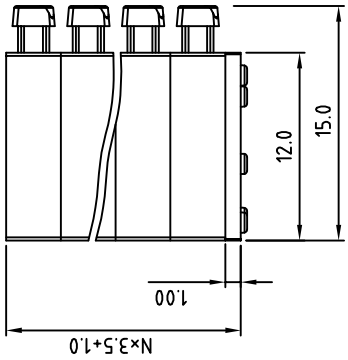
4

3

2

1

SIGN	DATE

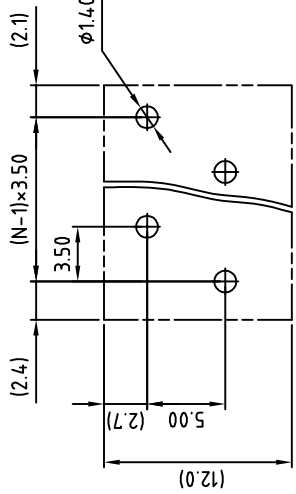


N=Number of poles

Part Number

OSTHXXX2381

- 01: 01 Poles
 - 02: 02 Poles
 -
 - 24: 24 Poles
- 0: Black
 - 2: Red
 - 5: Green
 - 8: Grey (Standed)
 - 9: White
 - C: Multiple color



P.C.B LAYOUT

Material

- Terminal body (Contact pin)
- Wire guard: Stainless steel
- Surface of solder tail: Tin
- Insulator (housing): Thermoplastic

Electrical

- Voltage rating: AC 300V
- Current rating: 10A
- Wire range: Solid wire(AWG): 16-26 Stranded wire(AWG): 16-26
- Wire strip length: 7-8mm
- Withstanding Voltage: 1600V
- Operating temperature: -40~105°C
- Soldering temperature: 250°C
- Safety Approval: pending approval

RoHS Compliant



ON-SHORT

TITLE	OSTHX 3.5 Series 180° interface connector		
PART NO.	OSTHXXX2381		
APPROVED	CHECKED	DESIGNED	DRAWN
		kind	kind
		2008.7.22	2008.7.22

5

4



3

2

1

Looking for pricing, stock, or lifecycle information?

Click below to explore more details on WIN SOURCE:

-  [View OSTHX202301 on WIN SOURCE](#)
-  [On Shore Technology Inc. Information](#)

Optimize Your Supply Chain with WIN SOURCE Solutions

-  Global Sourcing Solution
-  Obsolete Management
-  Cost Control Management
-  Shortage Management
-  Alternative Solution
-  Excess Inventory Management