



**THE DATASHEET OF
OSTET170250**



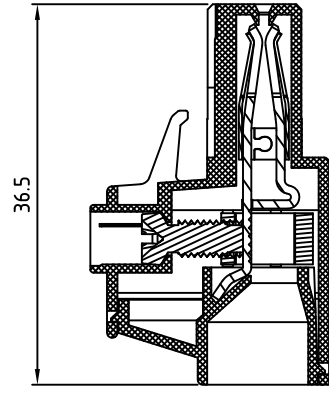
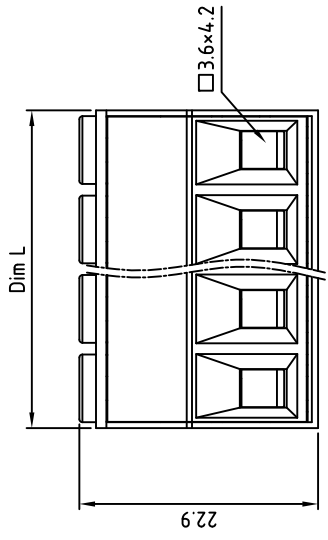
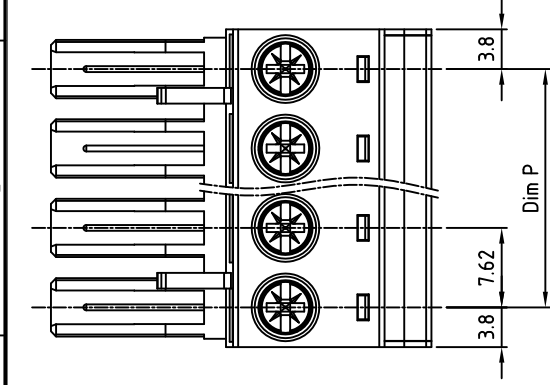
1

2

3

4

5



Material:

- Insulator(housing): Thermop
- Terminal Body: Brass
- Contact: PhBz.
- Wire guard: Stainless steel
- Terminal Screw: Steel zinc

Electrical:

- Voltage rating: 3
 - Current rating: 3
 - Wire range: 8-
 - Solid wire(AWG): 8-
 - Stranded wire(AWG): 7
 - Torque: M
 - Screw: 7
 - Wire strip length: 2
 - Withstanding Voltage: -
 - Operating temperature: -
 - Safety Approval: c
- RoHS Compliant

PART NUMBER:

OSTETXX01

- No. of Poles
- 02 2 Pole
 - 03 3 Pole
 -
 - 16 16 Pole

| | | | | | | | | |
|-------|-------|-------|-------|-------|-------|--------|--------|--------|
| POLE | 2 | 3 | 4 | 5 | 6 | 7 | 8 | |
| Dim L | 15.24 | 22.86 | 30.48 | 38.10 | 45.72 | 53.34 | 60.96 | |
| Dim P | 7.62 | 15.24 | 22.86 | 30.48 | 38.10 | 45.72 | 53.34 | |
| Tol. | ±0.10 | | | | | | | |
| POLE | 9 | 10 | 11 | 12 | 13 | 14 | 15 | 16 |
| Dim L | 68.58 | 76.20 | 83.82 | 91.44 | 99.06 | 106.68 | 114.30 | 121.92 |
| Dim P | 60.96 | 68.58 | 76.20 | 83.82 | 91.44 | 99.06 | 106.68 | 114.30 |
| Tol. | ±0.20 | | | | | | | ±0.30 |

| | | |
|----------|------------------------------------|------------|
| TITLE | OSTET-7.62 Series (Mated with OSTV | |
| PART NO. | OSTETXX0250 | |
| APPROVED | CHECKED | DESIGNED |
| | | Tony |
| | | 2007.03.09 |
| | | 2007.03.09 |



ON-SHORT

1

2


3

4

5

Looking for pricing, stock, or lifecycle information?

Click below to explore more details on WIN SOURCE:

-  [View OSTET170250 on WIN SOURCE](#)
-  [On Shore Technology Inc. Information](#)

Optimize Your Supply Chain with WIN SOURCE Solutions

-  Global Sourcing Solution
-  Obsolete Management
-  Cost Control Management
-  Shortage Management
-  Alternative Solution
-  Excess Inventory Management