



**THE DATASHEET OF
OPA2683IDRG4**



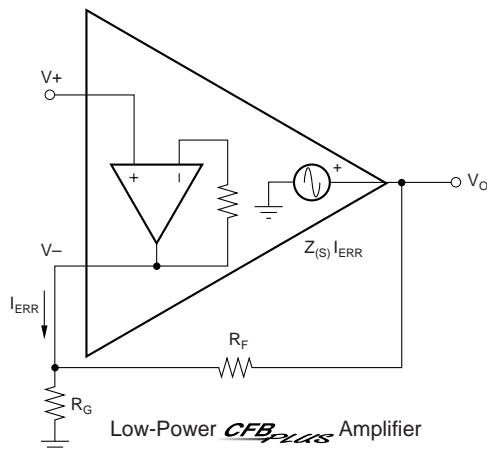
Very Low-Power, Dual, Current-Feedback Operational Amplifier

FEATURES

- REDUCED BANDWIDTH CHANGE VERSUS GAIN
- 150MHz BANDWIDTH $G = +2$
- > 80MHz BANDWIDTH TO GAIN > +10
- LOW DISTORTION: < -65dBc at 5MHz
- HIGH OUTPUT CURRENT: 110mA
- SINGLE-SUPPLY OPERATION: +5V to +12V
- DUAL-SUPPLY OPERATION: $\pm 2.5V$ to $\pm 6V$
- LOW SUPPLY CURRENT: 1.9mA Total
- POWER SHUTDOWN VERSION: MSOP-10

DESCRIPTION

The OPA2683 provides a new level of performance for dual, very low-power, wideband, current-feedback amplifiers. This CFB_{PLUS} amplifier is among the first to use an internally closed-loop input buffer stage that significantly enhances performance over earlier low-power, current-feedback (CFB) amplifiers. This new architecture provides many of the advantages of a more ideal CFB amplifier while retaining the benefits of very low-power operation. The closed-loop input stage buffer gives a very low and linearized impedance path at the inverting input to sense the feedback error current. This improved inverting input impedance gives exceptional bandwidth retention to much higher gains and improved harmonic distortion over earlier solutions limited by inverting input linearity. Beyond simple high gain applications, the OPA2683 CFB_{PLUS} amplifier can allow the gain setting element to be set with considerable freedom from amplifier bandwidth interaction. This



U.S. Patent No. 6,724,260

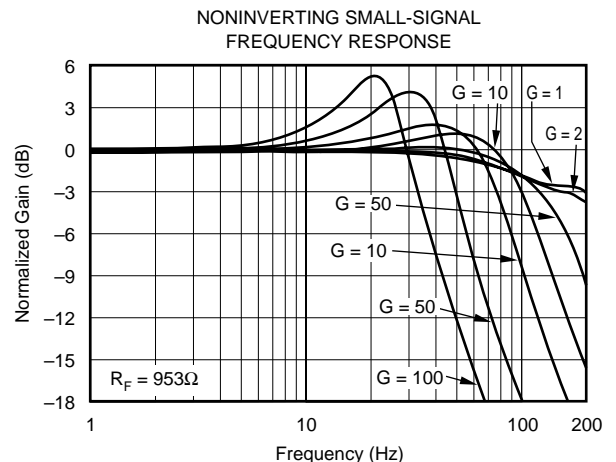
APPLICATIONS

- LOW-POWER BROADCAST VIDEO DRIVERS
- μ POWER ACTIVE FILTERS
- SHORT-LOOP ADSL CO DRIVERS
- MULTICHANNEL SUMMING AMPLIFIERS
- PROFESSIONAL CAMERAS
- DIFFERENTIAL ADC INPUT DRIVERS

flexibility allows frequency response peaking elements to be added, multiple input inverting summing circuits to have greater bandwidth, and low-power differential line drivers to meet the demanding requirements of DSL.

The output capability for the OPA2683 also sets a new mark in performance for very low-power, current-feedback amplifiers. Delivering a full $\pm 4V_{PP}$ swing on $\pm 5V$ supplies, the OPA2683 also has the output current to support this swing into a 100Ω load. This minimal output headroom requirement is complemented by a similar 1.2V input stage headroom, giving exceptional capability for single +5V operation.

The OPA2683's low 1.9mA total supply current is precisely trimmed at +25°C. This trim, along with low shift over temperature and supply voltage, gives a very robust design over a wide range of operating conditions. Further system power reduction is possible using the shutdown feature of the MSOP-10 package.



Please be aware that an important notice concerning availability, standard warranty, and use in critical applications of Texas Instruments semiconductor products and disclaimers thereto appears at the end of this data sheet.

All trademarks are the property of their respective owners.

PRODUCTION DATA information is current as of publication date. Products conform to specifications per the terms of Texas Instruments standard warranty. Production processing does not necessarily include testing of all parameters.

ABSOLUTE MAXIMUM RATINGS⁽¹⁾

Power Supply	$\pm 6.5V_{DC}$
Internal Power Dissipation	See Thermal Analysis
Differential Input Voltage	$\pm 1.2V$
Input Voltage Range	$\pm V_S$
Storage Temperature Range: ID, IDCN	$-65^{\circ}C$ to $+125^{\circ}C$
Lead Temperature (soldering, 10s)	$+300^{\circ}C$
Junction Temperature (T_J)	$+150^{\circ}C$
ESD Rating: Human Body Model (HBM)	2000V
Charged Device Model (CDM)	1000V

NOTE: (1) Stresses above those listed under Absolute Maximum Ratings may cause permanent damage to the device. Exposure to absolute maximum conditions for extended periods may affect device reliability.



ELECTROSTATIC DISCHARGE SENSITIVITY

This integrated circuit can be damaged by ESD. Texas Instruments recommends that all integrated circuits be handled with appropriate precautions. Failure to observe proper handling and installation procedures can cause damage.

ESD damage can range from subtle performance degradation to complete device failure. Precision integrated circuits may be more susceptible to damage because very small parametric changes could cause the device not to meet its published specifications.

OPA2683 RELATED PRODUCTS

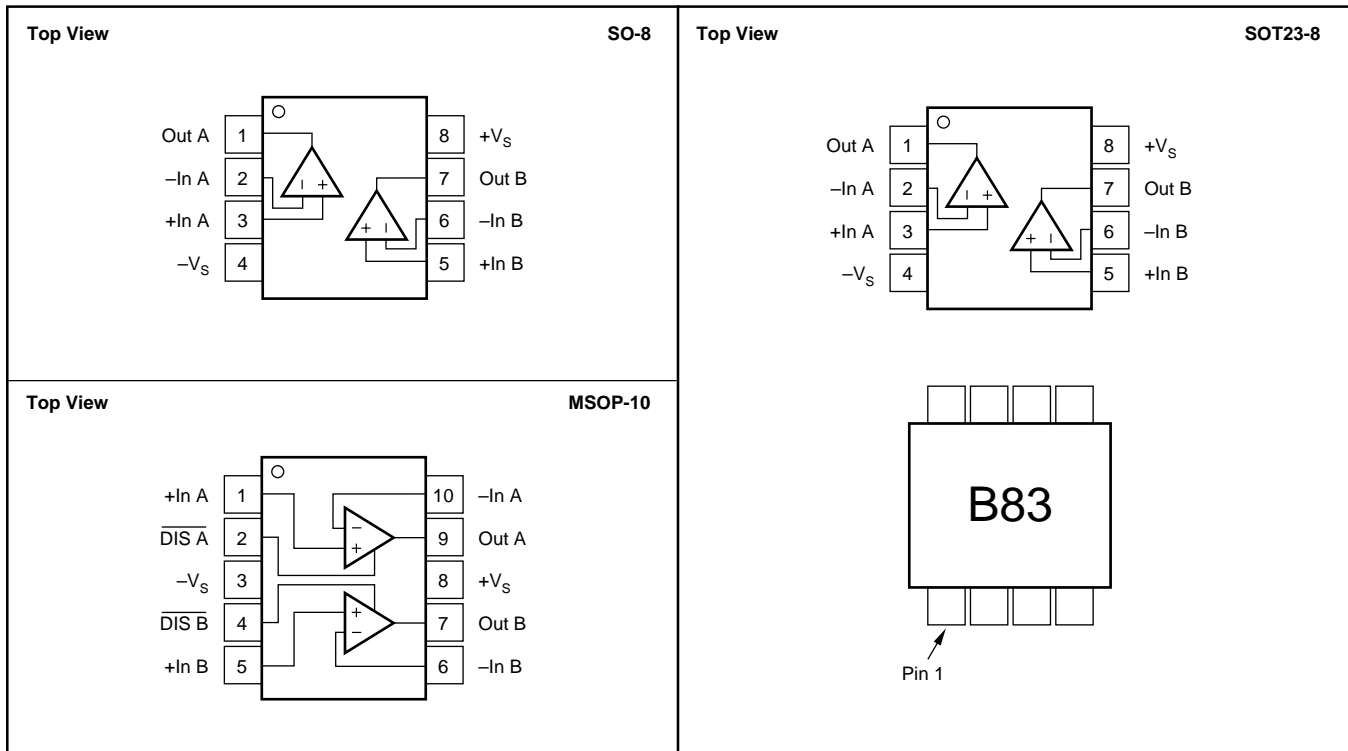
SINGLES	DUALS	TRIPLES	QUADS	FEATURES
OPA684	OPA2684	OPA3684	OPA4684	Low-Power CFB
OPA691	OPA2691	OPA3691	—	High Slew Rate CFB
OPA695	OPA2695	OPA3695	—	> 500MHz CFB

PACKAGE/ORDERING INFORMATION⁽¹⁾

PRODUCT	PACKAGE-LEAD	PACKAGE DESIGNATOR	SPECIFIED TEMPERATURE RANGE	PACKAGE MARKING	ORDERING NUMBER	TRANSPORT MEDIA, QUANTITY
OPA2683	SO-8	D	$-40^{\circ}C$ to $+85^{\circ}C$	OPA2683	OPA2683ID	Rails, 100
"	"	"	"	"	OPA2683IDR	Tape and Reel, 2500
OPA2683	SOT23-8	DCN	$-40^{\circ}C$ to $+85^{\circ}C$	B83	OPA2683IDCNT	Tape and Reel, 250
"	"	"	"	"	OPA2683IDCNR	Tape and Reel, 3000
OPA2683	MSOP-10	DGS	$-40^{\circ}C$ to $+85^{\circ}C$	BUI	OPA2683IDGST	Tape and Reel, 250
"	"	"	"	"	OPA2683IDGSR	Tape and Reel, 2500

NOTE: (1) For the most current package and ordering information, see the Package Option Addendum at the end of this document, or see the TI web site at www.ti.com.

PIN CONFIGURATION



ELECTRICAL CHARACTERISTICS: $V_S = \pm 5V$

Boldface limits are tested at +25°C.

$R_F = 953\Omega$, $R_L = 1k\Omega$, and $G = +2$ (see Figure 1 for AC performance only), unless otherwise noted.

PARAMETER	CONDITIONS	OPA2683ID, IDCN, IDGS					MIN/ MAX	TEST LEVEL ⁽³⁾
		TYP	MIN/MAX OVER TEMPERATURE					
		+25°C	+25°C ⁽¹⁾	0°C to 70°C ⁽²⁾	-40°C to +85°C ⁽²⁾	UNITS		
AC PERFORMANCE (see Figure 1) Small-Signal Bandwidth ($V_O = 0.5V_{PP}$)	$G = +1$, $R_F = 953k\Omega$	200				MHz	typ	C
	$G = +2$, $R_F = 953\Omega$	150	124	121	117	MHz	min	B
	$G = +5$, $R_F = 953\Omega$	121				MHz	typ	C
	$G = +10$, $R_F = 953\Omega$	94				MHz	typ	B
	$G = +20$, $R_F = 953\Omega$	72				MHz	typ	C
Bandwidth for 0.1dB Gain Flatness	$G = +2$, $V_O = 0.5V_{PP}$, $R_F = 953\Omega$	37	15	14	14	MHz	min	B
Peaking at a Gain of +1	$R_F = 953\Omega$, $V_O = 0.5V_{PP}$	1.8	6.5	7.7	8.0	dB	max	B
Large-Signal Bandwidth	$G = +2$, $V_O = 4V_{PP}$	63				MHz	typ	C
Slew Rate	$G = -1$, $V_O = 4V$ Step (see Figure 2)	540	450	450	430	V/ μ s	min	B
	$G = +2$, $V_O = 4V$ Step	400	345	338	336	V/ μ s	min	B
Rise-and-Fall Time	$G = +2$, $V_O = 0.5V$ Step	4.6				ns	typ	C
	$G = +2$, $V_O = 4V$ Step	7.8				ns	typ	C
Harmonic Distortion	$G = +2$, $f = 5MHz$, $V_O = 2V_{PP}$							
2nd-Harmonic	$R_L = 100\Omega$	-63	-54	-54	-54	dBc	max	B
	$R_L \geq 1k\Omega$	-71	-55	-55	-55	dBc	max	B
3rd-Harmonic	$R_L = 100\Omega$	-67	-62	-62	-62	dBc	max	B
	$R_L \geq 1k\Omega$	-77	-67	-66	-66	dBc	max	B
Input Voltage Noise	$f > 1MHz$	4.4	5.0	5.5	5.8	nV/ \sqrt{Hz}	max	B
Noninverting Input Current Noise	$f > 1MHz$	5.1	5.8	6.4	6.7	pA/ \sqrt{Hz}	max	B
Inverting Input Current Noise	$f > 1MHz$	11.6	11.9	12.3	12.4	pA/ \sqrt{Hz}	max	B
Differential Gain	$G = +2$, NTSC, $V_O = 1.4V_P$, $R_L = 150\Omega$	0.13				%	typ	C
Differential Phase	$G = +2$, NTSC, $V_O = 1.4V_P$, $R_L = 150\Omega$	0.06				deg	typ	C
Channel-to-Channel Isolation	$f = 5MHz$	70				dB	typ	C
DC PERFORMANCE⁽⁴⁾								
Open-Loop Transimpedance Gain (Z_{OL})	$V_O = 0V$, $R_L = 1k\Omega$	700	300	270	250	k Ω	min	A
Input Offset Voltage	$V_{CM} = 0V$	± 1.5	± 3.5	± 4.1	± 4.3	mV	max	A
Average Offset Voltage Drift	$V_{CM} = 0V$			± 12	± 12	$\mu V/^\circ C$	max	B
Noninverting Input Bias Current	$V_{CM} = 0V$	± 2.0	± 4.5	± 5.1	± 5.3	μA	max	A
Average Noninverting Input Bias Current Drift	$V_{CM} = 0V$			± 15	± 15	nA/ $^\circ C$	max	B
Inverting Input Bias Current	$V_{CM} = 0V$	± 3.0	± 10	± 11	± 11.5	μA	max	A
Average Inverting Input Bias Current Drift	$V_{CM} = 0V$			± 20	± 20	nA/ $^\circ C$	max	B
INPUT								
Common-Mode Input Range ⁽⁵⁾ (CMIR)	$V_{CM} = 0V$	± 3.75	± 3.65	± 3.65	± 3.60	V	min	A
Common-Mode Rejection Ratio (CMRR)		60	53	52	52	dB	min	A
Noninverting Input Impedance		50 2				k Ω pF	typ	C
Inverting Input Resistance (R_i)	Open-Loop, DC	5.0				Ω	typ	C
OUTPUT								
Voltage Output Swing	1k Ω Load	± 4.1	± 4.0	± 4.0	± 3.9	V	min	A
Current Output, Sourcing	$V_O = 0$	150	120	115	110	mA	min	A
Current Output, Sinking	$V_O = 0$	-110	-100	-95	-90	mA	min	A
Closed-Loop Output Impedance	$G = +2$, $f = 100kHz$	0.007				Ω	typ	C
DISABLE (Disabled LOW) (MSOP-10 Only)								
Power-Down Supply Current ($+V_S$)	$V_{DIS} = 0$, Both Channel	-200	-300	-340	-360	μA	max	A
Disable Time	$V_{IN} = +1$, See Figure 1	60				ms	typ	C
Enable Time	$V_{IN} = +1$, See Figure 1	40				ns	typ	C
Off Isolation	$G = +2$, 5MHz	70				dB	typ	C
Output Capacitance in Disable		1.7				pF	typ	C
Turn On Glitch	$G = +2$, $R_L = 150\Omega$, $V_{IN} = 0$	± 70				mV	typ	C
Turn Off Glitch	$G = +2$, $R_L = 150\Omega$, $V_{IN} = 0$	± 20				mV	typ	C
Enable Voltage		3.4	3.5	3.6	3.7	V	min	A
Disable Voltage		1.8	1.7	1.6	1.5	V	max	A
Control Pin Input Bias Current (\overline{DIS})	$V_{DIS} = 0V$, Each Channel	80	120	130	135	μA	max	A
POWER SUPPLY								
Specified Operating Voltage		± 5				V	typ	C
Max Operating Voltage Range			± 6	± 6	± 6	V	max	A
Min Operating Voltage Range		± 2				V	typ	C
Max Quiescent Current	$V_S = \pm 5V$, Both Channels	1.88	2.06	2.08	2.10	mA	max	A
Min Quiescent Current	$V_S = \pm 5V$, Both Channels	1.88	1.70	1.6	1.54	mA	min	A
Power-Supply Rejection Ratio (-PSRR)	Input Referred	62	55	54	54	dB	typ	A
TEMPERATURE RANGE								
Specification: D, DCN, DGS		-40 to +85				$^\circ C$	typ	C
Thermal Resistance, θ_{JA}	Junction-to-Ambient							
D SO-8		125				$^\circ C/W$	typ	C
DCN SOT23-8		150				$^\circ C/W$	typ	C
DGS MSOP-10		140				$^\circ C/W$	typ	C

NOTES: (1) Junction temperature = ambient for +25°C tested specifications.

(2) Junction temperature = ambient at low temperature limit; junction temperature = ambient +2°C at high temperature limit for over-temperature tested specifications.

(3) Test levels: (A) 100% tested at +25°C. Over-temperature limits by characterization and simulation. (B) Limits set by characterization and simulation. (C) Typical value only for information.

(4) Current is considered positive out-of-node. V_{CM} is the input common-mode voltage.

(5) Tested < 3dB below minimum specified CMRR at \pm CMIR limits.

ELECTRICAL CHARACTERISTICS: $V_S = +5V$

Boldface limits are tested at +25°C.

$R_F = 1.2k\Omega$, $R_L = 1k\Omega$, and $G = +2$ (see Figure 3 for AC performance only), unless otherwise noted.

PARAMETER	CONDITIONS	OPA2683ID, IDCN, IDGS						TEST LEVEL ⁽³⁾
		TYP	MIN/MAX OVER TEMPERATURE				MIN/MAX	
		+25°C	+25°C ⁽¹⁾	0°C to 70°C ⁽²⁾	-40°C to +85°C ⁽²⁾	UNITS		
AC PERFORMANCE (see Figure 3)								
Small-Signal Bandwidth ($V_O = 0.2V_{PP}$)	$G = +1$, $R_F = 1.2k\Omega$	145				MHz	typ	B
	$G = +2$, $R_F = 1.2k\Omega$	119	96	92	90	MHz	min	C
	$G = +5$, $R_F = 1.2k\Omega$	95				MHz	typ	C
	$G = +10$, $R_F = 1.2k\Omega$	87				MHz	typ	C
	$G = +20$, $R_F = 1.2k\Omega$	60				MHz	typ	C
Bandwidth for 0.1dB Gain Flatness	$G = +2$, $V_O < 0.5V_{PP}$, $R_F = 1.2k\Omega$	14	9	8	8	MHz	min	B
Peaking at a Gain of +1	$R_F = 1.2k\Omega$, $V_O < 0.5V_{PP}$	1	6	8	8	dB	max	B
Large-Signal Bandwidth	$G = +2$, $V_O = 2V_{PP}$	70				MHz	typ	C
Slew Rate	$G = +2$, $V_O = 2V$ Step	210	180	175	170	V/ μ s	min	B
Rise-and-Fall Time	$G = +2$, $V_O = 0.5V$ Step	5.9				ns	typ	C
	$G = +2$, $V_O = 2V$ Step	7.8				ns	typ	C
Harmonic Distortion	$G = 2$, $f = 5MHz$, $V_O = 2V_{PP}$							
2nd-Harmonic	$R_L = 100\Omega$ to $V_S/2$	-60	-54	-53	-53	dBc	max	B
	$R_L \geq 1k\Omega$ to $V_S/2$	-66	-55	-55	-55	dBc	max	B
3rd-Harmonic	$R_L = 100\Omega$ to $V_S/2$	-59	-58	-58	-58	dBc	max	B
	$R_L \geq 1k\Omega$ to $V_S/2$	-74	-57	-56	-56	dBc	max	B
Input Voltage Noise	$f > 1MHz$	4.4	5.0	5.5	5.8	nV/ \sqrt{Hz}	max	B
Noninverting Input Current Noise	$f > 1MHz$	5.1	5.8	6.4	6.7	pA/ \sqrt{Hz}	max	B
Inverting Input Current Noise	$f > 1MHz$	11.6	11.9	12.3	12.4	pA/ \sqrt{Hz}	max	B
Differential Gain	$G = +2$, NTSC, $V_O = 1.4V_P$, $R_L = 150\Omega$	0.24				%	typ	C
Differential Phase	$G = +2$, NTSC, $V_O = 1.4V_P$, $R_L = 150\Omega$	0.19				deg	typ	C
Channel-to-Channel Crosstalk	$f = 5MHz$	70				dB	type	C
DC PERFORMANCE⁽⁴⁾								
Open-Loop Transimpedance Gain (Z_{OL})	$V_O = V_S/2$, $R_L = 1k\Omega$ to $V_S/2$	700	300	270	250	k Ω	min	A
Input Offset Voltage	$V_{CM} = V_S/2$	± 1.0	± 3.0	± 3.6	± 3.8	mV	max	A
Average Offset Voltage Drift	$V_{CM} = V_S/2$			± 12	± 12	$\mu V/^\circ C$	max	B
Noninverting Input Bias Current	$V_{CM} = V_S/2$	± 2	± 4.5	± 5.1	± 5.3	μA	max	A
Average Noninverting Input Bias Current Drift	$V_{CM} = V_S/2$			± 12	± 12	nA/ $^\circ C$	max	B
Inverting Input Bias Current	$V_{CM} = V_S/2$	± 3	± 8	± 8.7	± 8.9	μA	max	A
Average Inverting Input Bias Current Drift	$V_{CM} = V_S/2$			± 15	± 15	nA/ $^\circ C$	max	B
INPUT								
Least Positive Input Voltage ⁽⁵⁾		1.1	1.25	1.29	1.34	V	max	A
Most Positive Input Voltage ⁽⁵⁾		3.9	3.75	3.73	3.67	V	min	A
Common-Mode Rejection Ratio (CMRR)	$V_{CM} = V_S/2$	56	51	50	50	dB	min	A
Noninverting Input Impedance		50 2				k Ω pF	typ	C
Inverting Input Resistance (R_i)	Open-Loop, DC	5.6				Ω	typ	C
OUTPUT								
Most Positive Output Voltage	$R_L = 1k\Omega$ to $V_S/2$	4.2	4.1	4.1	4.0	V	min	A
Least Positive Output Voltage	$R_L = 1k\Omega$ to $V_S/2$	0.8	0.9	0.9	1.0	V	max	A
Current Output, Sourcing	$V_O = V_S/2$	80	65	63	58	mA	min	A
Current Output, Sinking	$V_O = V_S/2$	-70	-52	-50	-45	mA	min	A
Closed-Loop Output Impedance	$G = +2$, $f = 100kHz$	0.009				Ω	typ	C
DISABLE (Disabled LOW) (MSOP-10 Only)								
Power-Down Supply Current (+ V_S)	$V_{DIS} = 0$, Both Channels	-200				μA	typ	C
Off Isolation	$G = +2$, 5MHz	70				dB	typ	C
Output Capacitance in Disable		1.7				pF	typ	C
Turn On Glitch	$G = +2$, $R_L = 150\Omega$, $V_{IN} = V_S/2$	± 70				mV	typ	C
Turn Off Glitch	$G = +2$, $R_L = 150\Omega$, $V_{IN} = V_S/2$	± 20				mV	typ	C
Enable Voltage		3.4	3.5	3.6	3.7	V	min	A
Disable Voltage		1.8	1.7	1.6	1.5	V	max	A
Control Pin Input Bias Current (\overline{DIS})	$V_{DIS} = 0V$, Each Channel	80	120	130	135	μA	max	A
POWER SUPPLY								
Specified Single-Supply Operating Voltage		+5				V	typ	C
Max Single-Supply Operating Voltage			+12	+12	+12	V	max	A
Min Single-Supply Operating Voltage		+4				V	typ	C
Max Quiescent Current	$V_S = +5V$, Both Channels	1.58	1.76	1.76	1.76	mA	max	A
Min Quiescent Current	$V_S = +5V$, Both Channels	1.58	1.36	1.32	1.28	mA	min	A
Power-Supply Rejection Ratio (+PSRR)	Input Referred	65				dB	typ	C
TEMPERATURE RANGE								
Specification: D, DCN, DGS		-40 to +85				$^\circ C$	typ	C
Thermal Resistance, θ_{JA}	Junction-to-Ambient							
D SO-8		125				$^\circ C/W$	typ	C
DCN SOT23-8		150				$^\circ C/W$	typ	C
DGS MSOP-10		140				$^\circ C/W$	typ	C

NOTES: (1) Junction temperature = ambient for +25°C tested specifications.

(2) Junction temperature = ambient at low temperature limit; junction temperature = ambient +2°C at high temperature limit for over-temperature tested specifications.

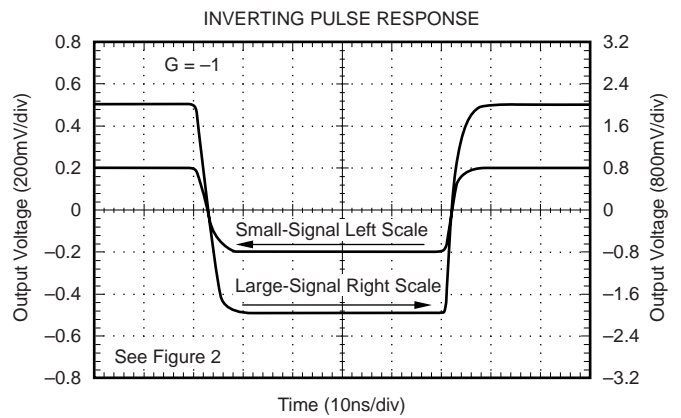
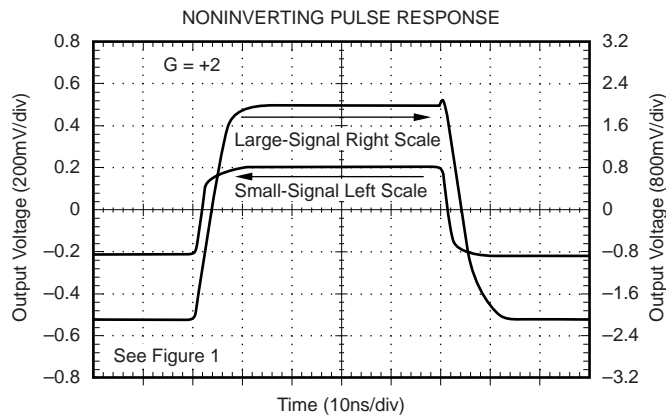
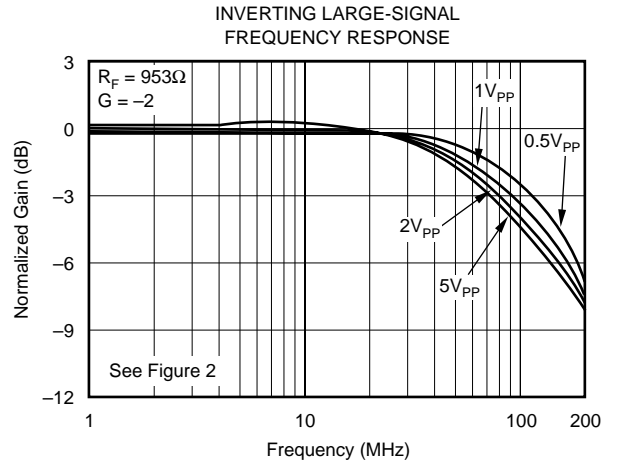
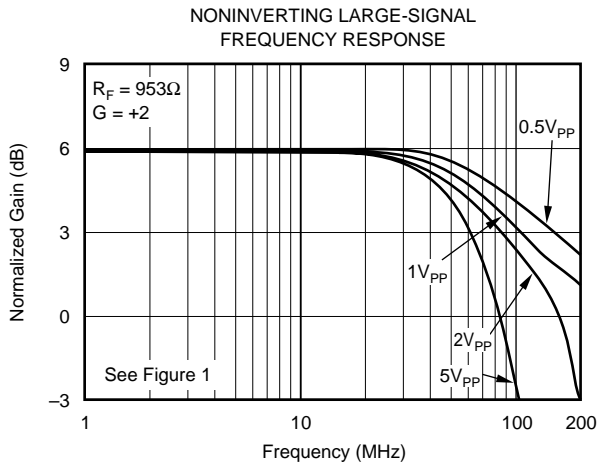
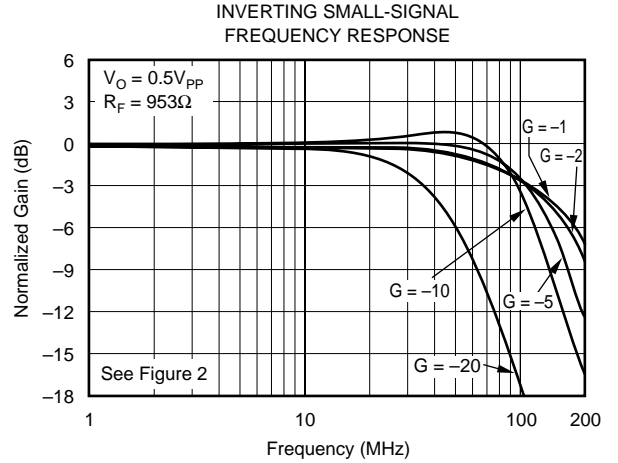
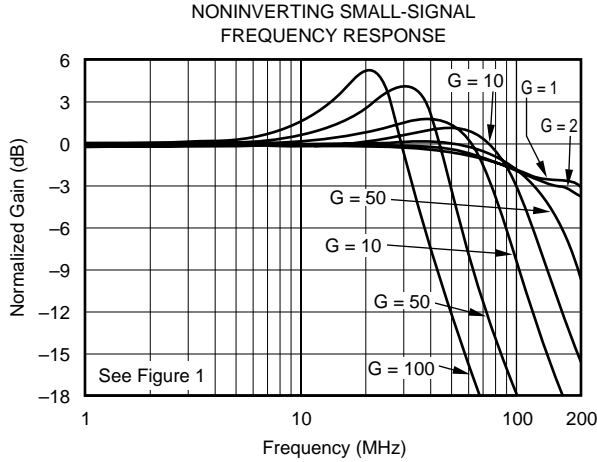
(3) Test levels: (A) 100% tested at +25°C. Over-temperature limits by characterization and simulation. (B) Limits set by characterization and simulation. (C) Typical value only for information.

(4) Current is considered positive out-of-node. V_{CM} is the input common-mode voltage.

(5) Tested < 3dB below minimum specified CMRR at \pm CMIR limits.

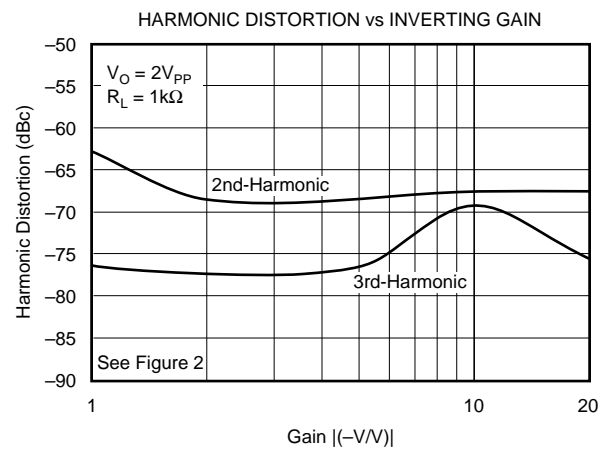
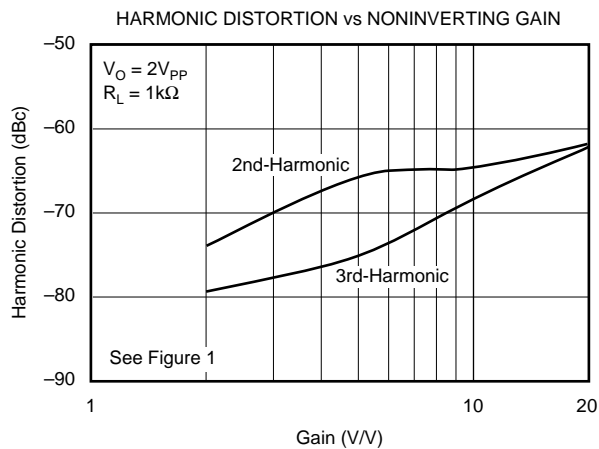
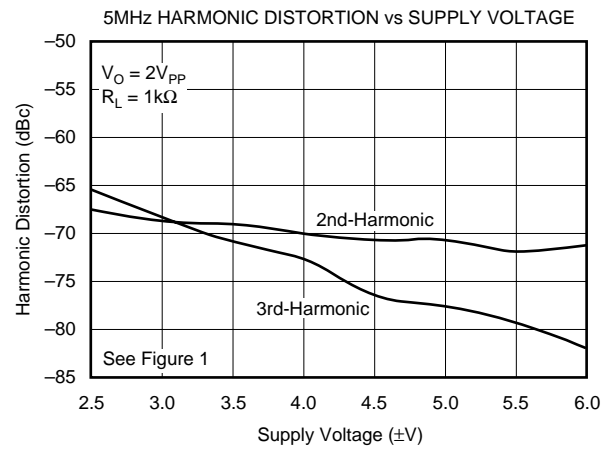
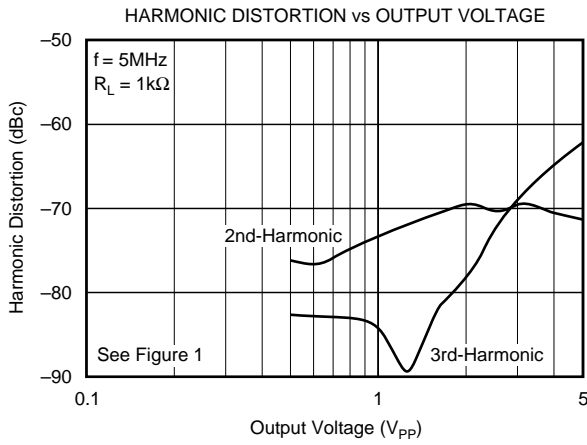
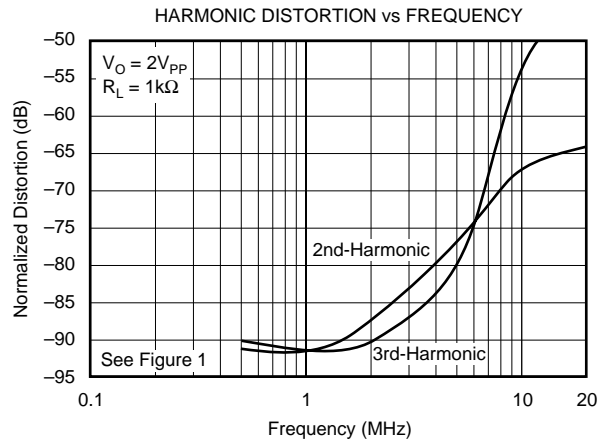
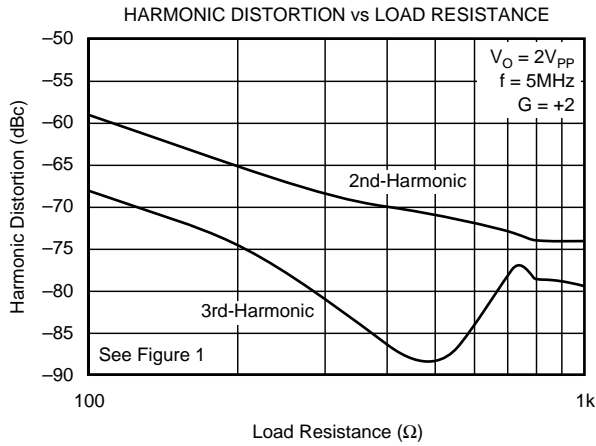
TYPICAL CHARACTERISTICS: $V_S = \pm 5V$

$T_A = +25^\circ C$, $G = +2$, $R_F = 953\Omega$, and $R_L = 1k\Omega$, unless otherwise noted.



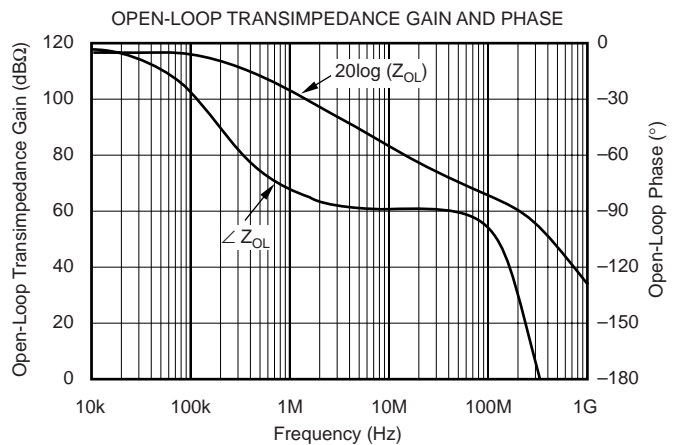
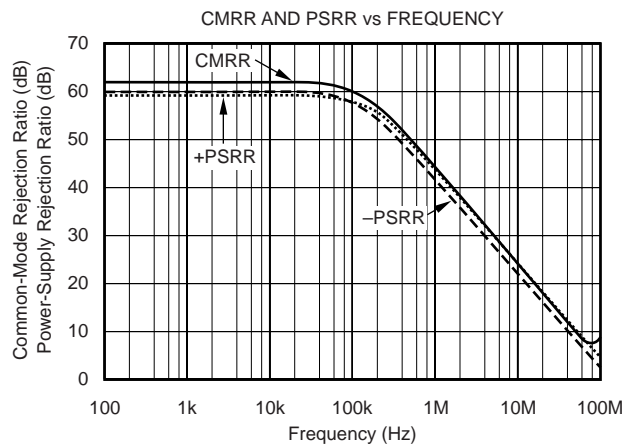
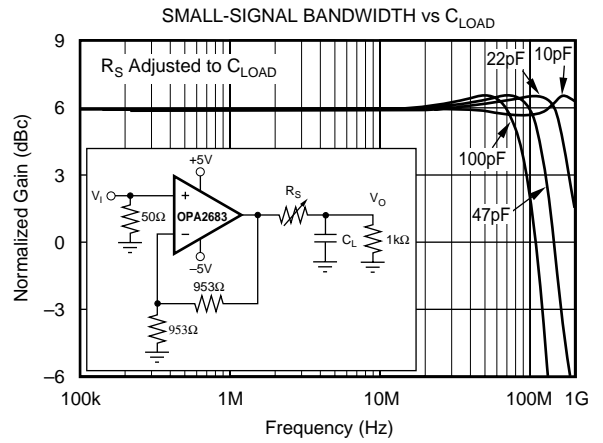
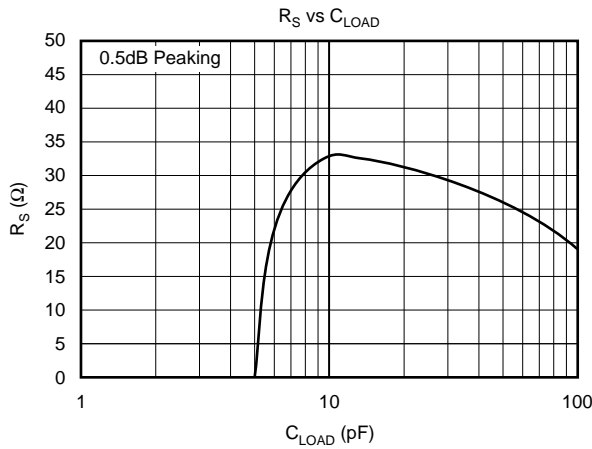
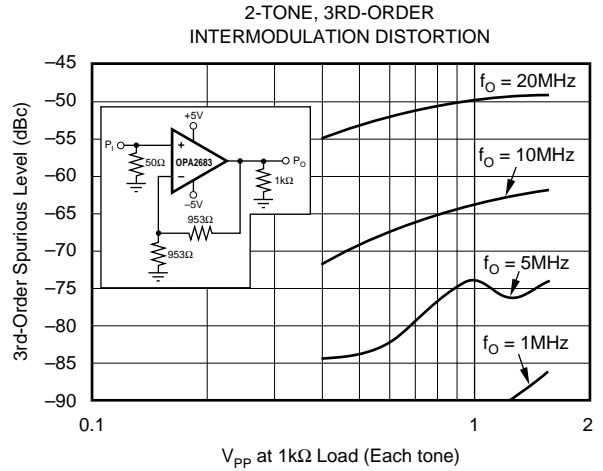
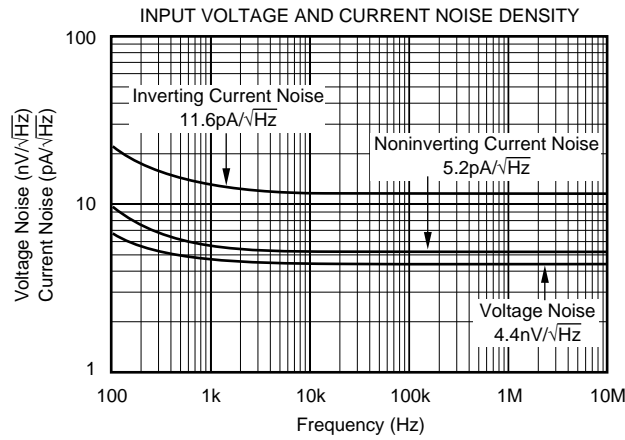
TYPICAL CHARACTERISTICS: $V_S = \pm 5V$ (Cont.)

$T_A = +25^\circ C$, $G = +2$, $R_F = 953\Omega$, and $R_L = 1k\Omega$, unless otherwise noted.



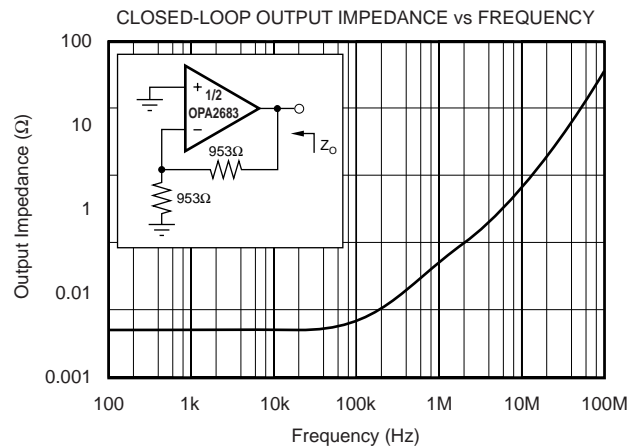
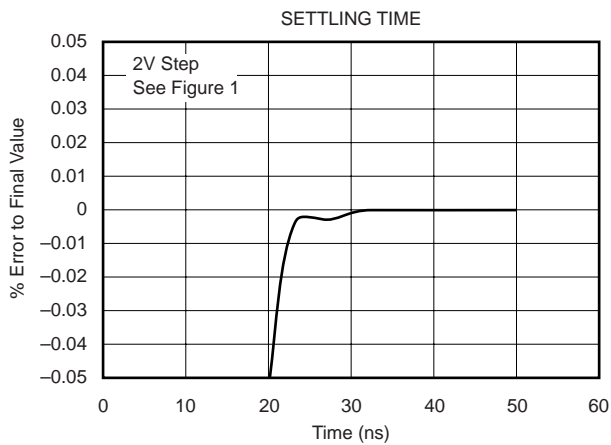
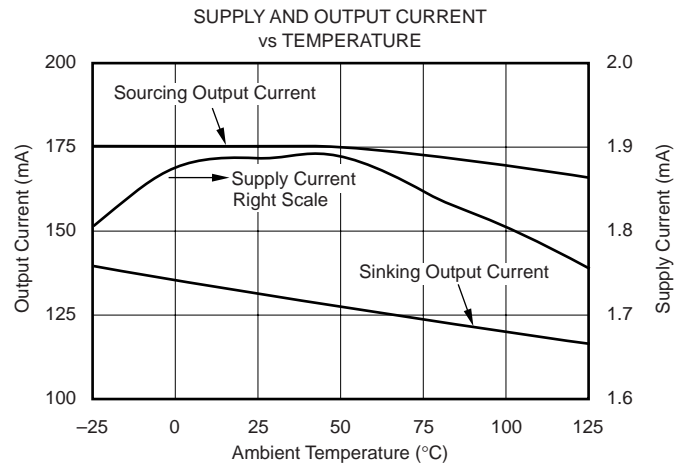
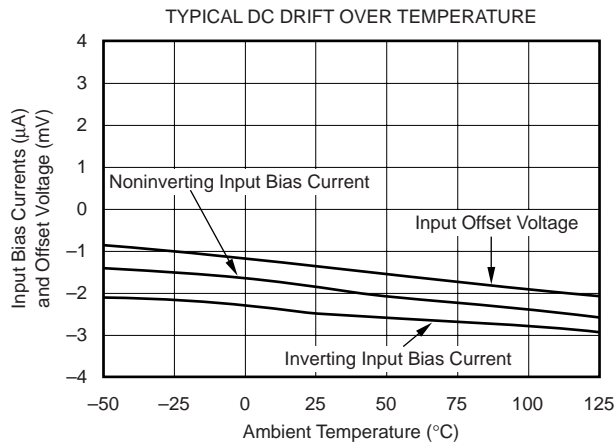
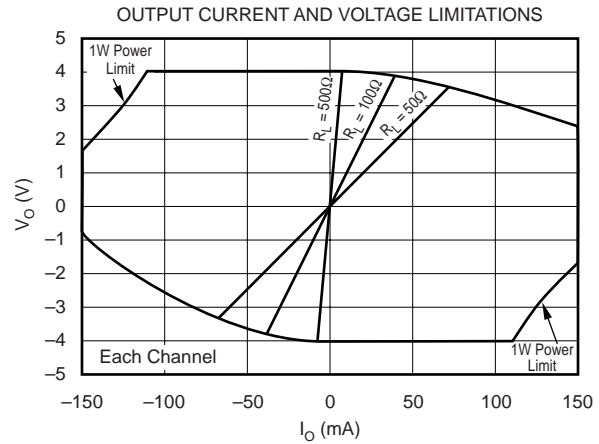
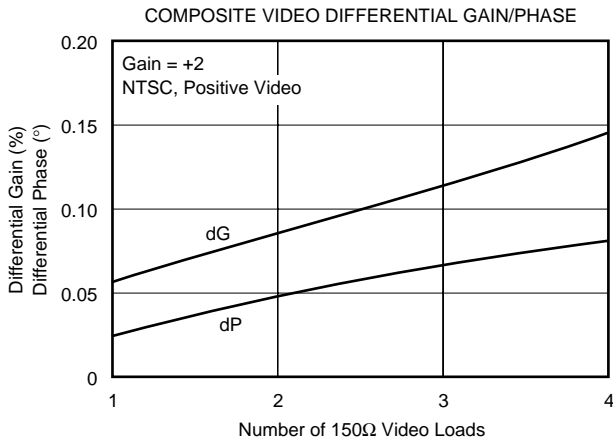
TYPICAL CHARACTERISTICS: $V_S = \pm 5V$ (Cont.)

$T_A = +25^\circ C$, $G = +2$, $R_F = 953\Omega$, and $R_L = 1k\Omega$, unless otherwise noted.



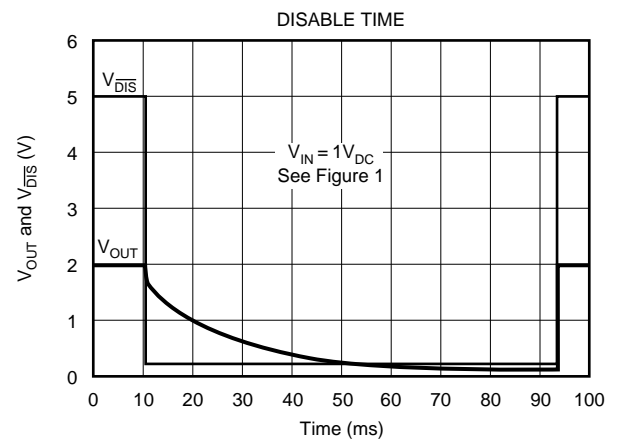
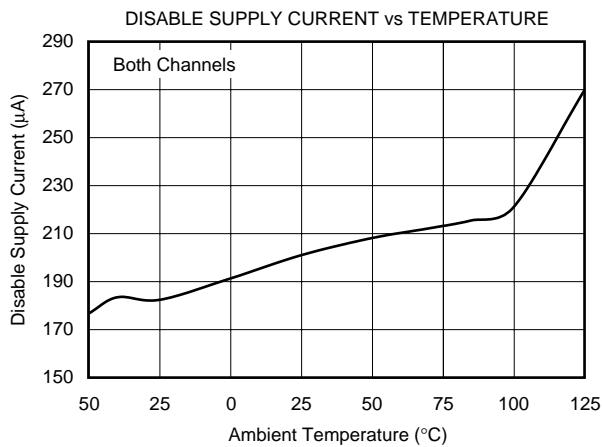
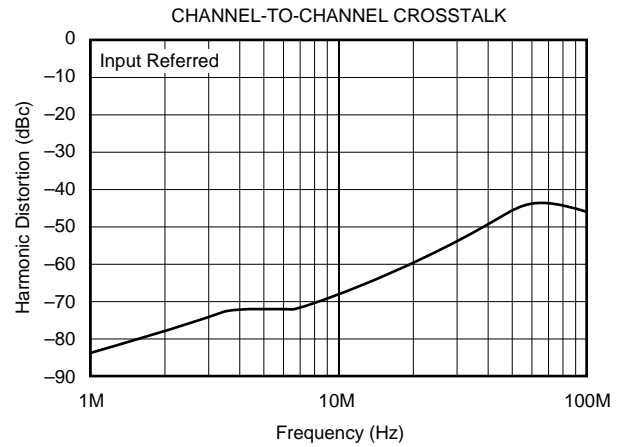
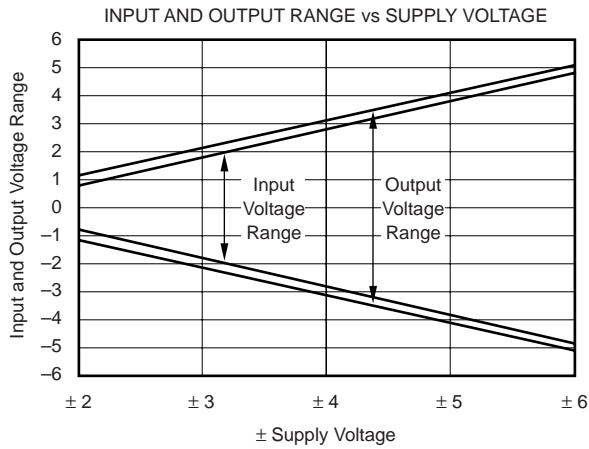
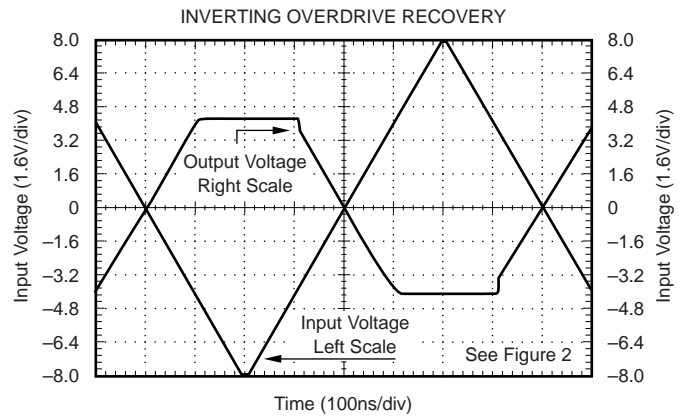
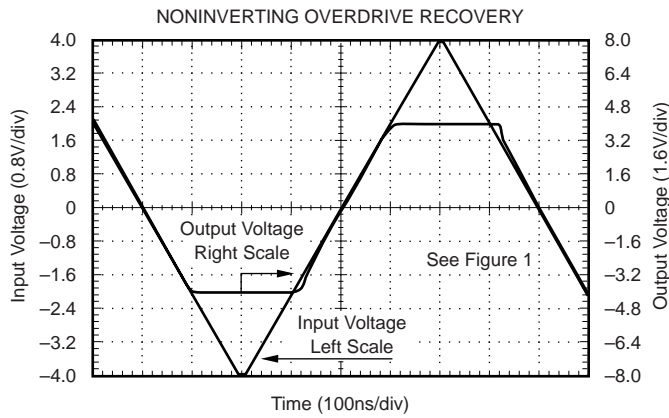
TYPICAL CHARACTERISTICS: $V_S = \pm 5V$ (Cont.)

$T_A = +25^\circ C$, $G = +2$, $R_F = 953\Omega$, and $R_L = 1k\Omega$, unless otherwise noted.



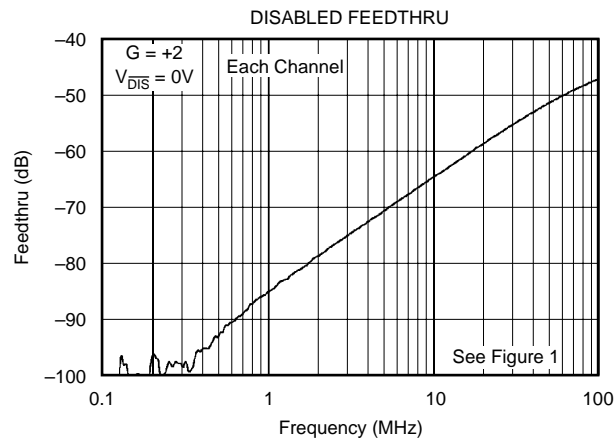
TYPICAL CHARACTERISTICS: $V_S = \pm 5V$ (Cont.)

$T_A = +25^\circ C$, $G = +2$, $R_F = 953\Omega$, and $R_L = 1k\Omega$, unless otherwise noted.



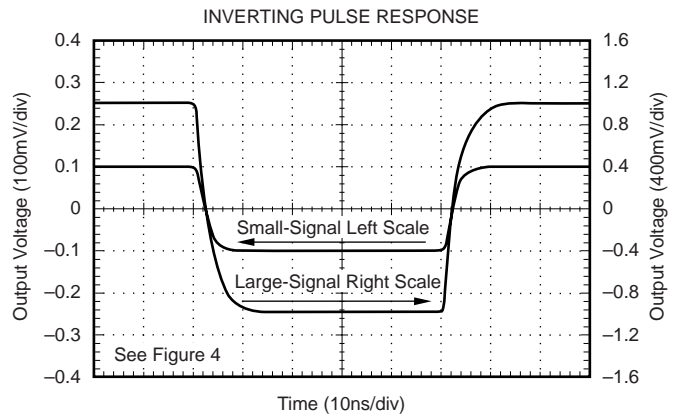
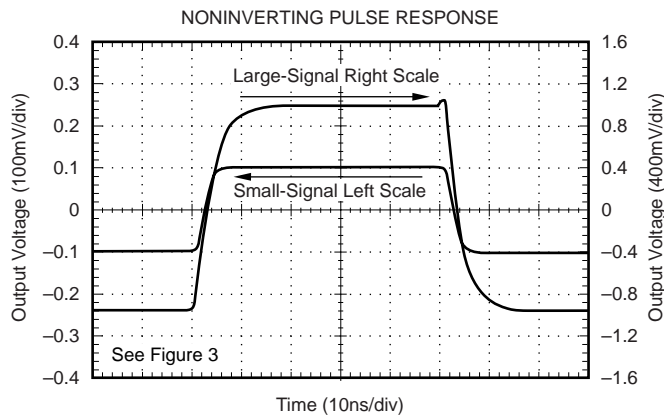
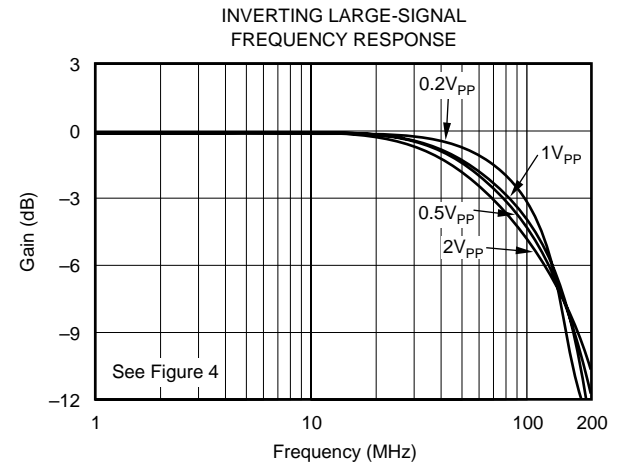
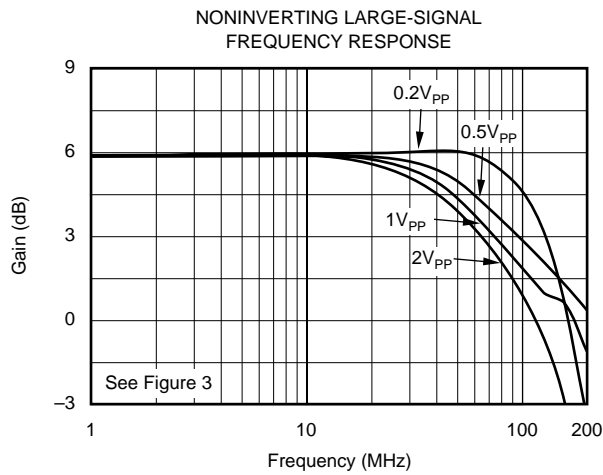
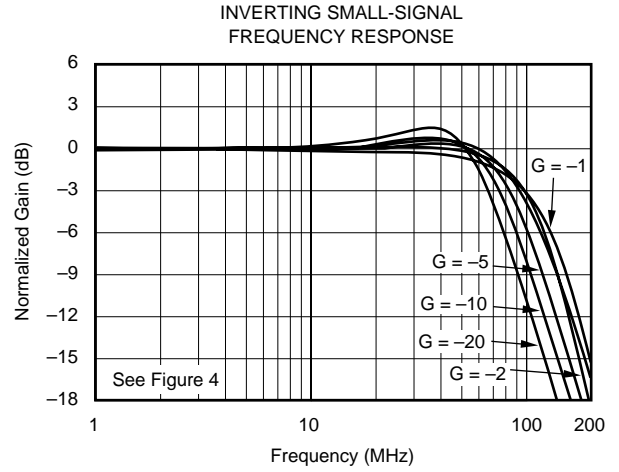
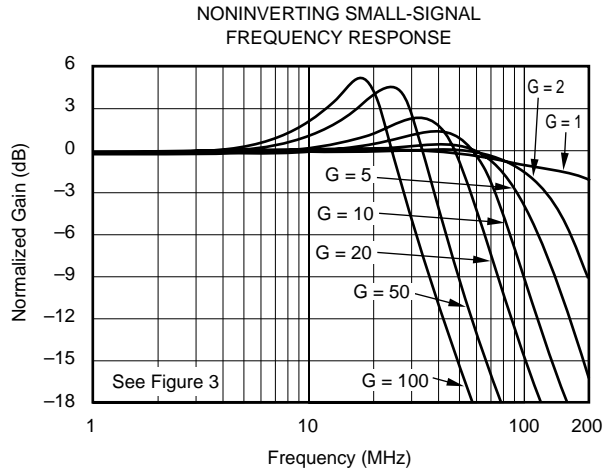
TYPICAL CHARACTERISTICS: $V_S = \pm 5V$ (Cont.)

$T_A = +25^\circ C$, $G = +2$, $R_F = 953\Omega$, and $R_L = 1k\Omega$, unless otherwise noted.



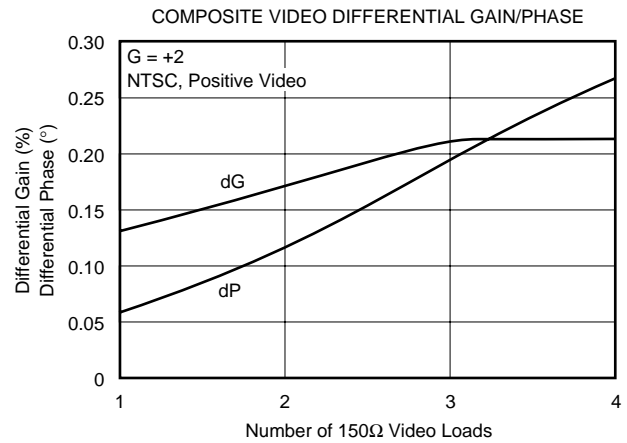
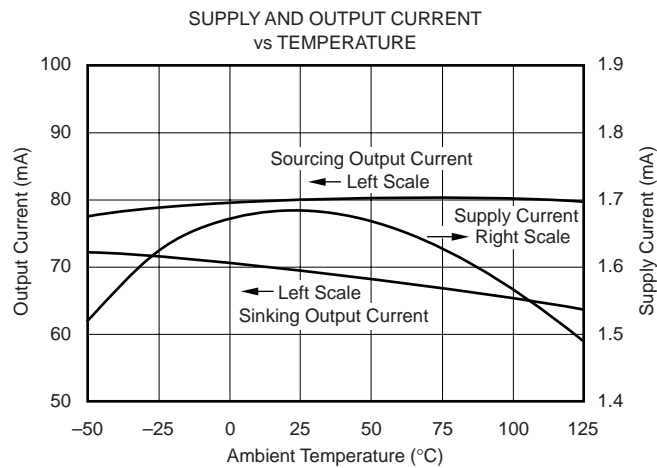
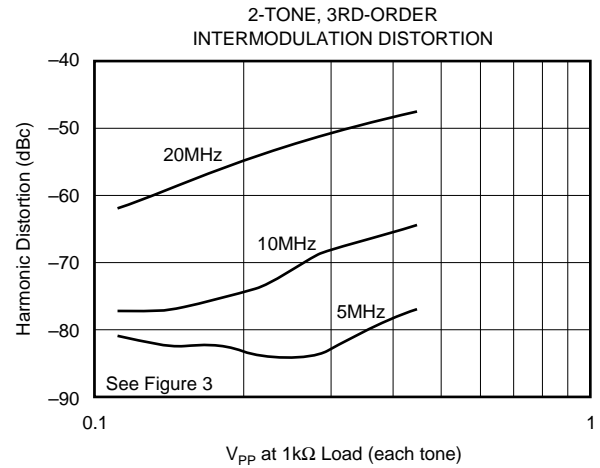
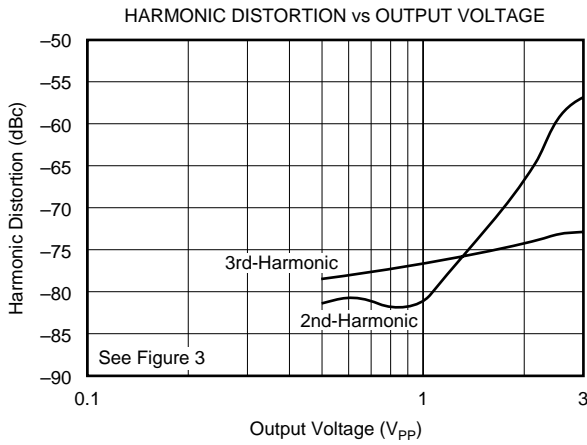
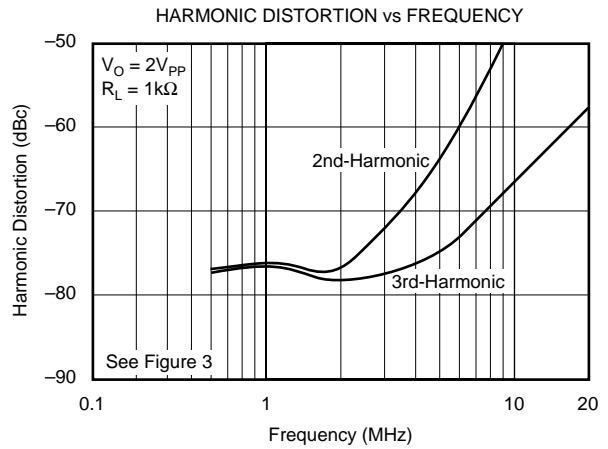
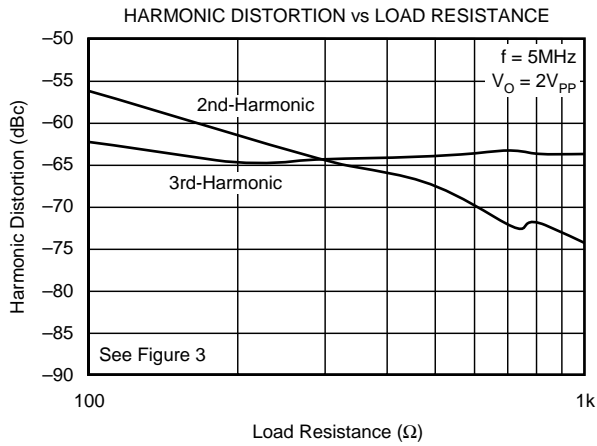
TYPICAL CHARACTERISTICS: $V_S = +5V$

$T_A = +25^\circ C$, $V_S = 5V$, $G = +2$, $R_F = 1.2k\Omega$, and $R_L = 1k\Omega$, unless otherwise noted.



TYPICAL CHARACTERISTICS: $V_S = +5V$ (Cont.)

$T_A = +25^\circ C$, $V_S = 5V$, $G = +2$, $R_F = 1.2k\Omega$, and $R_L = 1k\Omega$, unless otherwise noted.



APPLICATIONS INFORMATION

LOW-POWER, CURRENT-FEEDBACK OPERATION

The dual channel OPA2683 gives a new level of performance in low-power, current-feedback op amps. Using a new input stage buffer architecture, the OPA2683 CFB_{PLUS} amplifier holds nearly constant AC performance over a wide gain range. This closed-loop internal buffer gives a very low and linearized impedance at the inverting node, isolating the amplifier's AC performance from gain element variations. This low impedance allows both the bandwidth and distortion to remain nearly constant over gain, moving closer to the ideal current-feedback performance of gain bandwidth independence. This low-power amplifier also delivers exceptional output power—its $\pm 4V$ swing on $\pm 5V$ supplies with $> 100mA$ output drive gives excellent performance into standard video loads or doubly-terminated 50Ω cables. This dual-channel device can provide adequate drive for several emerging differential driver applications with exceptional power efficiency. Single $+5V$ supply operation is also supported with similar bandwidths but reduced output power capability. For higher output power in a dual current-feedback op amp, consider the OPA2684, OPA2691, or OPA2677.

Figure 1 shows the DC-coupled, gain of $+2$, dual power-supply circuit used as the basis of the $\pm 5V$ Electrical and Typical Characteristics for each channel. For test purposes, the input impedance is set to 50Ω with a resistor to ground, and the output impedance is set to a $1k\Omega$ load. Voltage swings reported in the characteristics are taken directly at the input and output pins. For the circuit of Figure 1, the total effective load will be $1k\Omega \parallel 1.9k\Omega = 656\Omega$. Gain changes are most easily accomplished by simply resetting the R_G value, holding R_F constant at its recommended value of 953Ω .

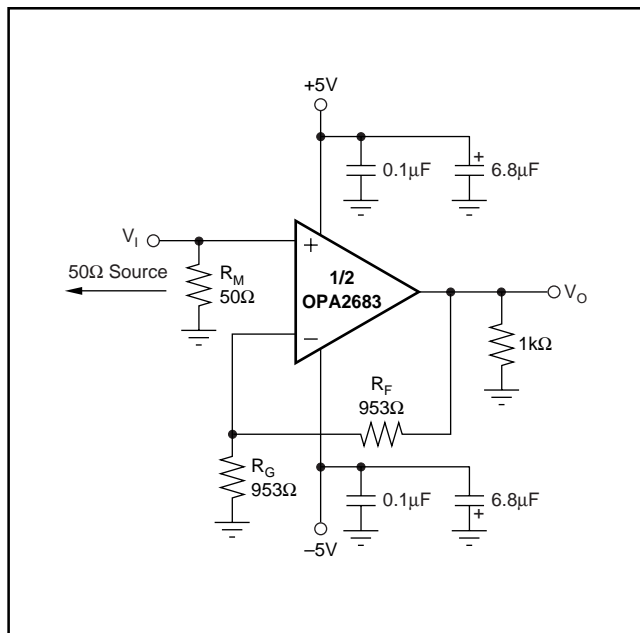


FIGURE 1. DC-Coupled, $G = +2V/V$, Bipolar Supply Specifications and Test Circuit.

Figure 2 shows the DC-coupled, gain of $-1V/V$, dual power-supply circuit used as the basis of the inverting Typical Characteristics for each channel. Inverting operation offers several performance benefits. Since there is no common-mode signal across the input stage, the slew rate for inverting operation is typically higher and the distortion performance is slightly improved. An additional input resistor, R_M , is included in Figure 2 to set the input impedance equal to 50Ω . The parallel combination of R_M and R_G set the input impedance. As the desired gain increases for the inverting configuration, R_G is adjusted to achieve the desired gain, while R_M is also adjusted to hold a 50Ω input match. A point will be reached where R_G will equal 50Ω , R_M is removed, and the input match is set by R_G only. With R_G fixed to achieve an input match to 50Ω , increasing R_F will increase the gain. However, this will reduce the achievable bandwidth as the feedback resistor increases from its recommended value of 953Ω . If the source does not require an input match to 50Ω , either adjust R_M to get the desired load, or remove it and let the R_G resistor alone provide the input load.

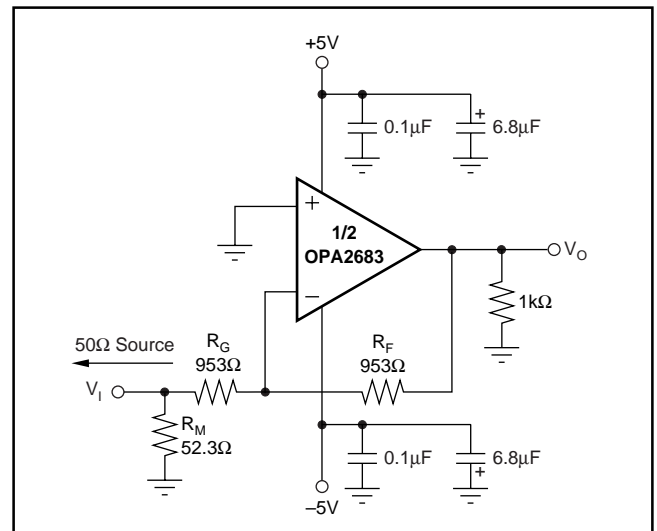


FIGURE 2. DC-Coupled, $G = -1V/V$, Bipolar Supply Specifications and Test Circuit.

These circuits show $\pm 5V$ operation. The same circuit can be applied with bipolar supplies from $\pm 2.5V$ to $\pm 6V$. Internal supply independent biasing gives nearly the same performance for the OPA2683 over this wide range of supplies. Generally, the optimum feedback resistor value (for nominally flat frequency response at $G = +2$) will increase in value as the total supply voltage across the OPA2683 is reduced from $\pm 5V$.

See Figure 3 for the AC-coupled, single $+5V$ supply, gain of $+2V/V$ circuit configuration used as a basis only for the $+5V$ Electrical and Typical Characteristics for each channel. The key requirement of broadband single-supply operation is to maintain input and output signal swings within the usable voltage ranges at both the input and the output. The circuit of Figure 3 establishes an input midpoint bias using a simple resistive divider from the $+5V$ supply (two $10k\Omega$ resistors) to the noninverting input. The input signal is then AC-coupled

into this midpoint voltage bias. The input voltage can swing to within 1.25V of either supply pin, giving a $2.5V_{PP}$ input signal range centered between the supply pins. The input impedance of Figure 3 is set to give a 50Ω input match. If the source does not require a 50Ω match, remove this and drive directly into the blocking capacitor. The source will then see the $5k\Omega$ load of the biasing network. The gain resistor (R_G) is AC-coupled, giving the circuit a DC gain of +1, which puts the noninverting input DC bias voltage (2.5V) on the output as well. The feedback resistor value has been adjusted from the bipolar $\pm 5V$ supply condition to re-optimize for a flat frequency response in +5V only, gain of +2, operation. On a single +5V supply, the output voltage can swing to within 0.9V of either supply pin while delivering more than 70mA output current, giving 3.2V output swing into 100Ω (8dBm maximum at a matched 50Ω load). The circuit of Figure 3 shows a blocking capacitor driving into a $1k\Omega$ load. Alternatively, the blocking capacitor could be removed if the load is tied to a supply midpoint or to ground if the DC current required by the load is acceptable.

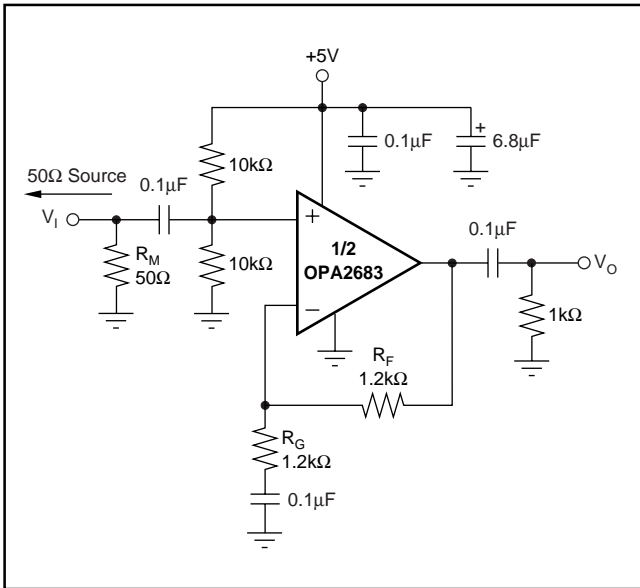


FIGURE 3. AC-Coupled, $G = +2V/V$, Single-Supply Specifications and Test Circuit.

Figure 4 shows the AC-coupled, single +5V supply, gain of $-1V/V$ circuit configuration used as a basis for the +5V Typical Characteristics for each channel. In this case, the midpoint DC bias on the noninverting input is also decoupled with an additional $0.1\mu F$ decoupling capacitor. This reduces the source impedance at higher frequencies for the noninverting input bias current noise. This 2.5V bias on the noninverting input pin appears on the inverting input pin and, since R_G is DC blocked by the input capacitor, will also appear at the output pin. One advantage to inverting operation is that since there is no signal swing across the input stage, higher slew rates and operation to even lower supply voltages is possible. To retain a $1V_{PP}$ output capability, operation down to 3V supply is allowed. At +3V supply, the input stage is saturated, but for the inverting configuration of

a current-feedback amplifier, wideband operation is retained even under this condition.

The circuits of Figure 3 and 4 show single-supply operation at +5V. These same circuits may be used up to single supplies of +12V with minimal change in the performance of the OPA2683.

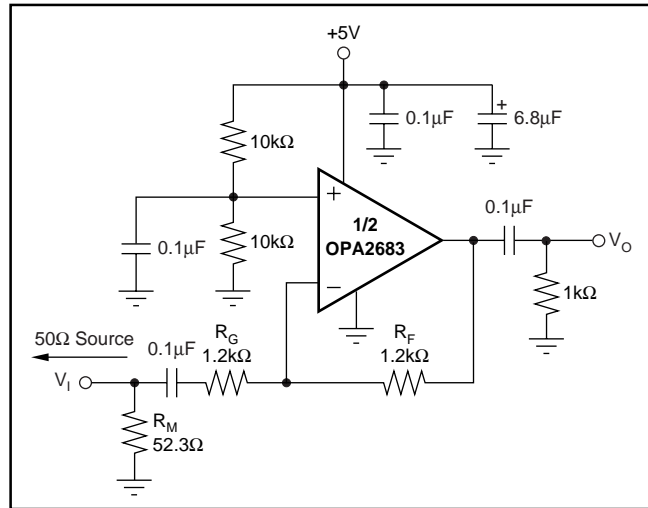


FIGURE 4. AC-Coupled, $G = -1V/V$, Single-Supply Specifications and Test Circuit.

DIFFERENTIAL INTERFACE APPLICATIONS

Dual op amps are particularly suitable to differential input to differential output applications. Typically, these fall into either Analog-to-Digital Converter (ADC) input interfaces or line driver applications. Two basic approaches to differential I/O are noninverting or inverting configurations. Since the output is differential, the signal polarity is somewhat meaningless—the noninverting and inverting terminology applies here to where the input is brought into the OPA2683. Each has its advantages and disadvantages. Figure 5 shows a basic starting point for noninverting differential I/O applications.

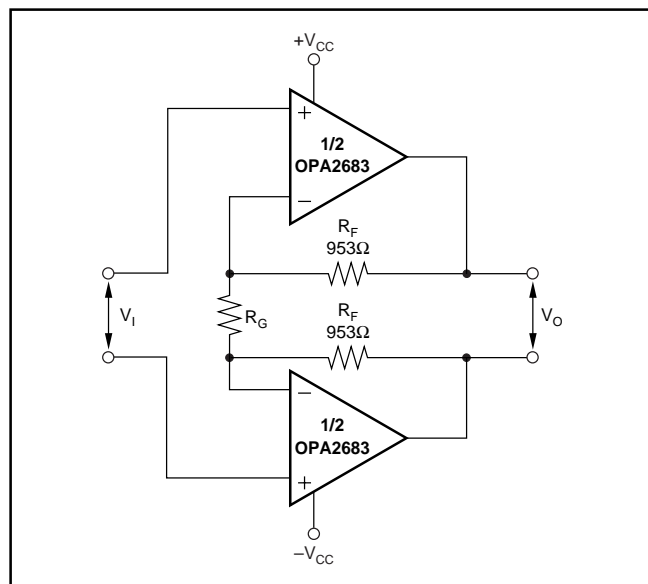


FIGURE 5. Noninverting Differential I/O Amplifier.

This approach provides for a source termination impedance that is independent of the signal gain. For instance, simple differential filters may be included in the signal path right up to the noninverting inputs without interacting with the gain setting. The differential signal gain for the circuit of Figure 5 is:

$$A_D = 1 + 2 \cdot R_F/R_G \quad (1)$$

Since the OPA2683 is a CFB_{PLUS} amplifier, its bandwidth is principally controlled with the feedback resistor value; see Figure 5 for the recommended value of 953Ω. The differential gain, however, may be adjusted with considerable freedom using just the R_G resistor. In fact, R_G may be a reactive network providing a very isolated shaping to the differential frequency response. Since the inverting inputs of the OPA2683 are very low impedance closed-loop buffer outputs, the R_G element does not interact with the amplifier's bandwidth; wide ranges of resistor values and/or filter elements may be inserted here with minimal amplifier bandwidth interaction.

Various combinations of single-supply or AC-coupled gain can also be delivered using the basic circuit of Figure 5. Common-mode bias voltages on the two noninverting inputs pass on to the output with a gain of 1 since an equal DC voltage at each inverting node creates no current through R_G. This circuit does show a common-mode gain of 1 from input to output. The source connection should either remove this common-mode signal if undesired (using an input transformer can provide this function), or the common-mode voltage at the inputs can be used to set the output common-mode bias. If the low common-mode rejection of this circuit is a concern, the output interface may also be used to reject that common-mode. For instance, most modern differential input ADCs reject common-mode signals very well, while a line driver application through a transformer will also attenuate the common-mode signal through to the line.

Figure 6 shows a differential I/O stage configured as an inverting amplifier. In this case, the gain resistors (R_G) become part of the input resistance for the source. This provides a better noise performance than the noninverting configuration but does limit the flexibility in setting the input impedance separately from the gain.

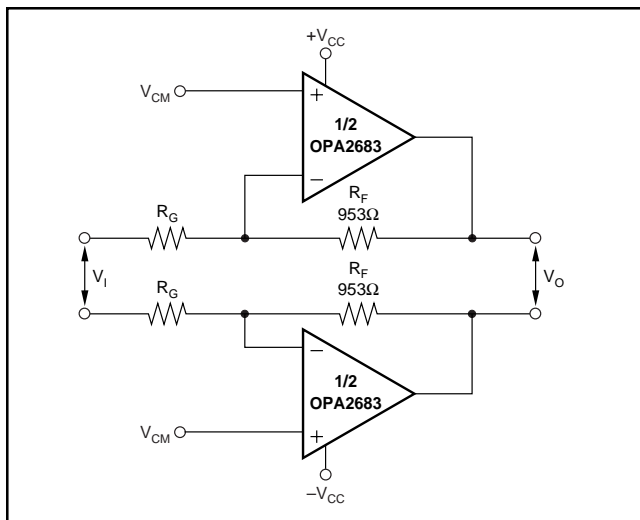


FIGURE 6. Inverting Differential I/O Amplifier.

The two noninverting inputs provide an easy common-mode control input. This is particularly simple if the source is AC-coupled through either blocking caps or a transformer. In either case, the common-mode input voltages on the two noninverting inputs again have a gain of 1 to the output pins, giving particularly easy common-mode control for single-supply operation. The OPA2683 used in this configuration does constrain the feedback to the 953Ω region for best frequency response. With R_F fixed, the input resistors may be adjusted to the desired gain but will also be changing the input impedance as well. The high-frequency common-mode gain for this circuit from input to output will be the same as for the signal gain. Again, if the source might include an undesired common-mode signal, that signal could be rejected at the input using blocking caps (for low frequency and DC common-mode) or a transformer coupling.

DC-COUPLED SINGLE TO DIFFERENTIAL CONVERSION

The previous differential output circuits were also set up to receive a differential input. A simple way to provide a DC-coupled single to differential conversion using a dual op amp is shown in Figure 7. Here, the output of the first stage is simply inverted by the second to provide an inverting version of a single amplifier design. This approach works well for lower frequencies but will start to depart from ideal differential outputs as the propagation delay and distortion of the inverting stage adds significantly to that present at the noninverting output pin.

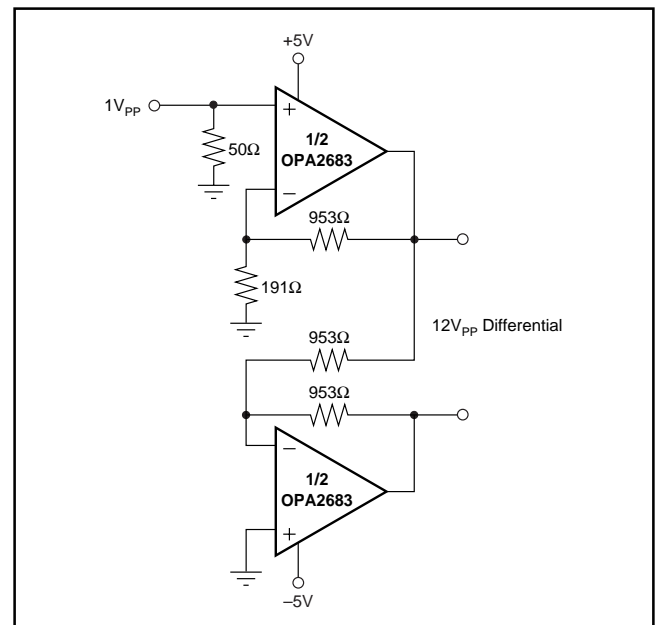


FIGURE 7. Single to Differential Conversion.

The circuit of Figure 7 is set up for a single-ended gain of 6 to the output of the first amplifier, then an inverting gain of -1 through the second stage to provide a total differential gain of 12. See Figure 8 for the 75MHz small-signal bandwidth delivered by the circuit of Figure 7. Large-signal distortion at 12V_{PP} output at 1MHz into the 1kΩ differential load is ≤ -76dBc.

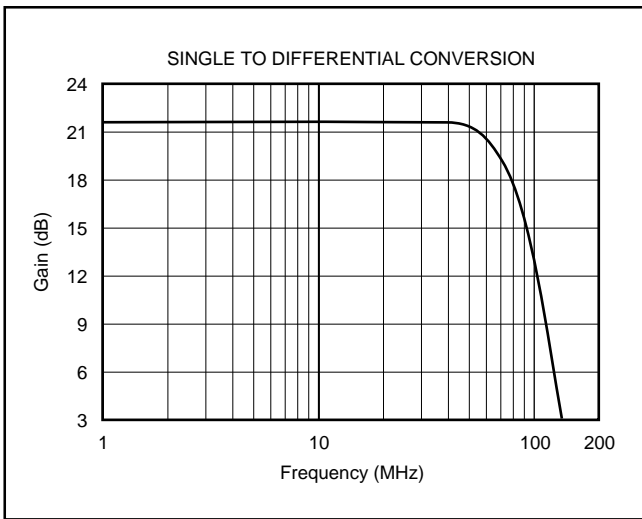


FIGURE 8. Small-Signal Bandwidth for Figure 7.

DIFFERENTIAL ACTIVE FILTER

The OPA2683 can provide a very capable gain block for low-power active filters. The dual design lends itself very well to differential active filters. Where the filter topology is looking for a simple gain function to implement the filter, the noninverting configuration is preferred to isolate the filter elements from the gain elements in the design. Figure 9 shows an example of a very low-power, 10MHz, 3rd-order Butterworth low-pass Sallen-Key filter. Often, these filters are designed at an amplifier gain of 1 to minimize amplifier bandwidth interaction with the desired filter shape. Since the OPA2683 shows minimal bandwidth change with gain, this feature would not be a constraint in this design. The example

of Figure 9 designs the filter for a differential gain of 5 using the OPA2683. The resistor values have been adjusted slightly to account for the amplifier bandwidth effects.

While this circuit is bipolar, using $\pm 5V$ supplies, it can easily be adapted to single-supply operation. This is typically done by providing a supply midpoint reference at the noninverting inputs, then adding DC blocking caps at each input and in series with the amplifier gain resistor, R_G . This will add two real zeroes in the response, transforming the circuit into a bandpass. Figure 10 shows the frequency response for the filter of Figure 9.

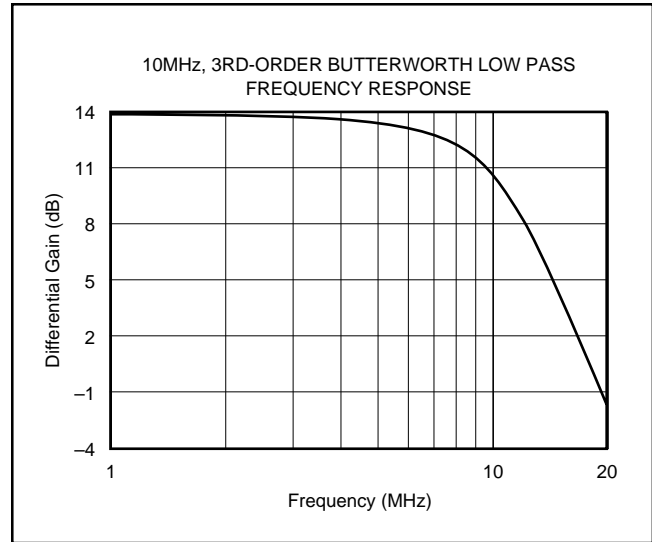


FIGURE 10. Frequency Response for 10MHz, 3rd-Order Butterworth Low-Pass Filter.

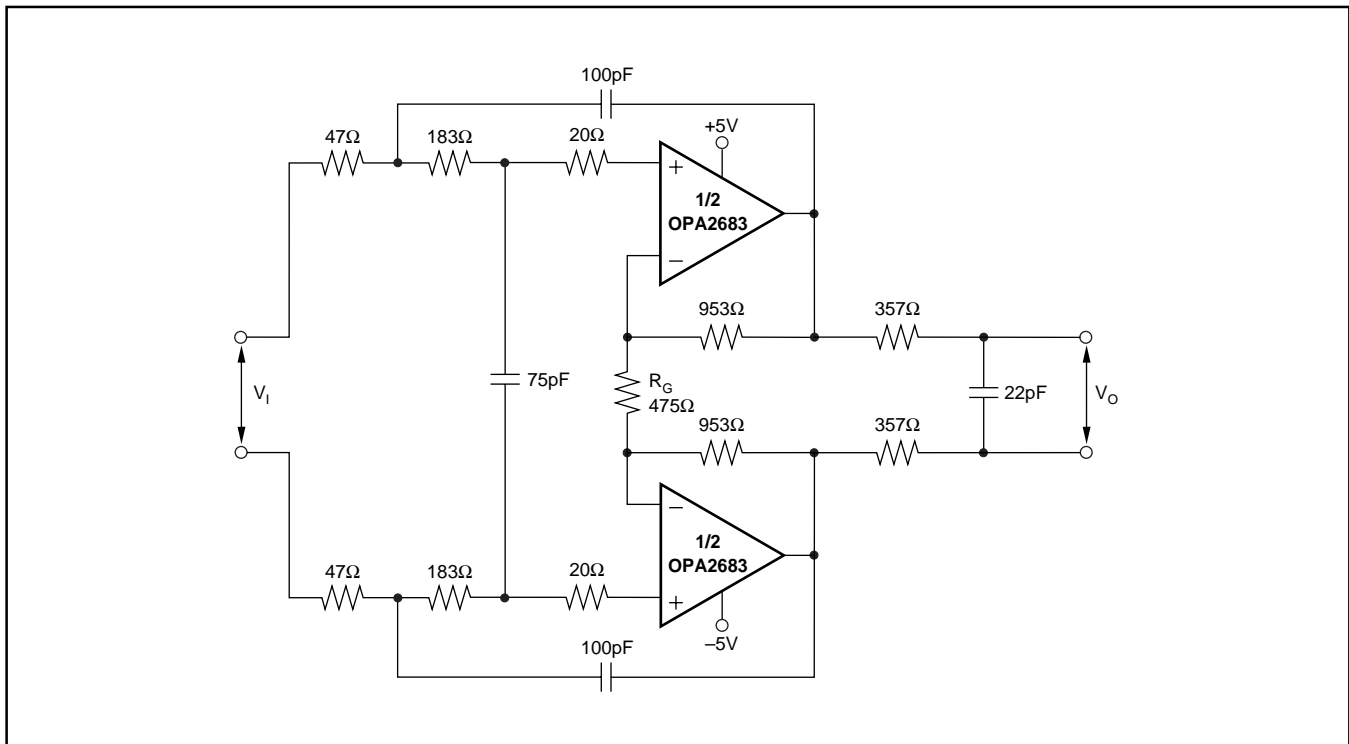


FIGURE 9. Low-Power, Differential I/O, 4th-Order Butterworth Active Filter.

SINGLE-SUPPLY, HIGH GAIN DIFFERENTIAL ADC DRIVER

Where a very low-power differential I/O interface to a moderate performance ADC is required, the circuit of Figure 11 may be considered. The circuit builds on the inverting differential I/O configuration of Figure 6 by adding the input transformer and the output low-pass filter. The input transformer provides a single-to-differential conversion where the input signal is still very low power—it also provides a gain of 2 and removes any common-mode signal from the inputs. This single +5V design sets a midpoint bias from the supply at each of the noninverting inputs.

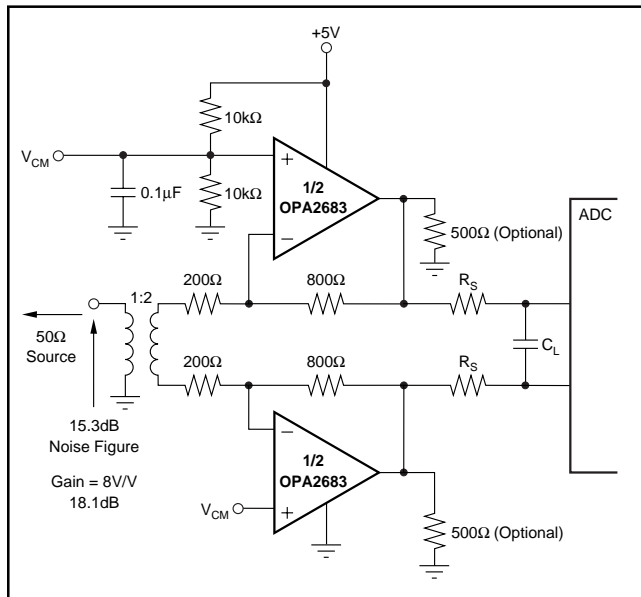


FIGURE 11. Single-Supply Differential ADC Driver.

This circuit also includes optional 500Ω pull-down resistors at the output. With a 2.5V DC common-mode operating point (set by V_{CM}), this will add 5mA to ground in the output stage. This essentially powers up the NPN side of the output stage significantly reducing distortion. It is important for good 2nd-order distortion to connect the grounds of these two resistors at the same point to minimize ground plane current for the differential output signal.

LOW-POWER MUX/LINE DRIVER

Using the shutdown feature, two OPA2683s can provide an easy low-power way to select one of two possible sources for moderate-resolution monitors. Figure 12 shows a recommended circuit where each of the outputs are combined in a way that provides a net gain of 1 to the matched 75Ω load with a 75Ω output impedance. This brings the two outputs for each color together through a 78.7Ω resistor with a slightly > 2 gain provided by the amplifiers. When one channel is shutdown, the feedback network is still present, slightly attenuating the signal and combining in parallel with the 78.7Ω to give a 75Ω source impedance.

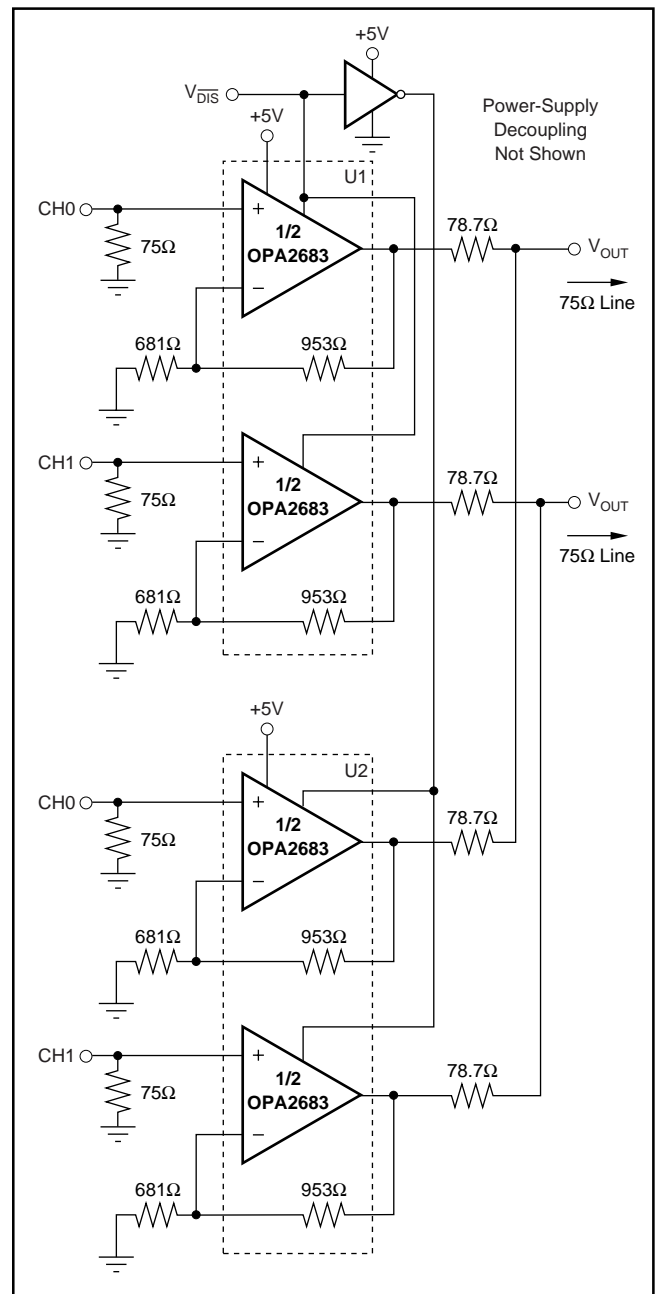


FIGURE 12. Frequency Response for 10MHz, 3rd-Order Butterworth Low-Pass Filter.

Since the OPA2683 does not disable quickly, this approach is not suitable for pixel-by-pixel multiplexing—however, it does provide an easy way to switch between two possible RGB sources. The output swing provided by the active channel will divide back through the inactive channel feedback to appear at the inverting input of the OFF channel. To retain good pulse fidelity, or low distortion, this divided down output signal at the inverting inputs of the OFF channels, plus the OFF channel input signals, should not exceed $0.7V_{PP}$. As the signal across the buffers of the inactive channels exceeds $0.7V_{PP}$, diodes across the inputs may begin to turn on causing a nonlinear load to the active channel. This will degrade signal linearity under those conditions.

DESIGN-IN TOOLS

DEMONSTRATION FIXTURES

Two printed circuit boards (PCBs) are available to assist in the initial evaluation of circuit performance using the OPA2683 in its two package options. Both of these are offered free of charge as unpopulated PCBs, delivered with a user's guide. The summary information for these fixtures is shown in Table I.

PRODUCT	PACKAGE	ORDERING NUMBER	LITERATURE NUMBER
OPA2683ID	SO-8	DEM-OPA-SO-2A	SBOU003
OPA2683IDCN	SOT23-8	DEM-OPA-SOT-2A	SBOU001
OPA2683IDGS	MSOP-10	DEM-OPA-MSOP-2B	SBOU040

TABLE I. Demonstration Fixtures by Package.

The demonstration fixtures can be requested at the Texas Instruments web site (www.ti.com) through the OPA2683 product folder.

MACROMODELS

Computer simulation of circuit performance using SPICE is often useful when analyzing the performance of analog circuits and systems. This is particularly true for higher speed designs where parasitic capacitance and inductance can have a major effect on circuit performance. A SPICE model for the OPA683 is available in the product folder on the TI web site (www.ti.com). This is the single channel model for the OPA2683—simply use two of these to implement an OPA2683 simulation. These models do a good job of predicting small-signal AC and transient performance under a wide variety of operating conditions. However, they are less accurate in predicting the harmonic distortion or dG/dP characteristics. These models do not attempt to distinguish between the package types in their small-signal AC performance.

OPERATING SUGGESTIONS

SETTING RESISTOR VALUES TO OPTIMIZE BANDWIDTH

Any current-feedback op amp like the OPA2683 can hold high bandwidth over signal-gain settings with the proper adjustment of the external resistor values. A low-power part like the OPA2683 typically shows a larger change in bandwidth due to the significant contribution of the inverting input impedance to loop-gain changes as the signal gain is changed. Figure 13 shows a simplified analysis circuit for any current-feedback amplifier.

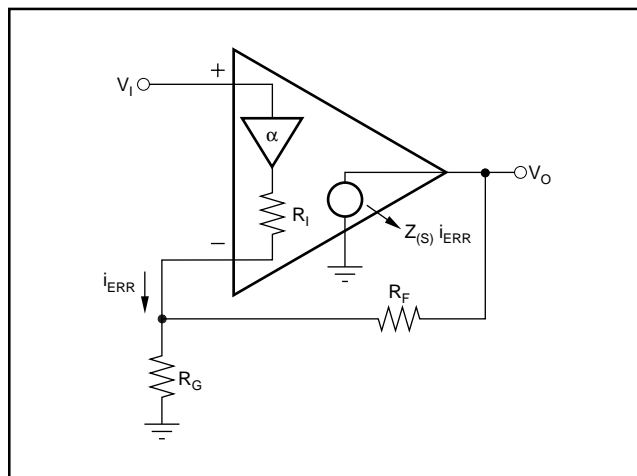


FIGURE 13. Current-Feedback Transfer Function Analysis Circuit.

The key elements of this current-feedback op amp model are:

- $\alpha \Rightarrow$ Buffer gain from the noninverting input to the inverting input
- $R_I \Rightarrow$ Buffer output impedance
- $i_{ERR} \Rightarrow$ Feedback error current signal
- $Z(s) \Rightarrow$ Frequency dependent open-loop transimpedance gain from i_{ERR} to V_O

The buffer gain is typically very close to 1.00 and is normally neglected from signal gain considerations. It will, however, set the CMRR for a single op amp differential amplifier configuration. For the buffer gain $\alpha < 1.0$, the CMRR = $-20 \cdot \log(1 - \alpha)$. The closed-loop input stage buffer used in the OPA2683 gives a buffer gain more closely approaching 1.00 and this shows up in a slightly higher CMRR than previous current-feedback op amps.

R_I , the buffer output impedance, is a critical portion of the bandwidth control equation. The OPA2683 reduces this element to approximately 5.0Ω using the loop gain of the closed-loop input buffer stage. This significant reduction in output impedance, on very low power, contributes significantly to extending the bandwidth at higher gains.

A current-feedback op amp senses an error current in the inverting node (as opposed to a differential input error voltage for a voltage-feedback op amp) and passes this on to the output through an internal frequency dependent transimpedance gain. The Typical Characteristics show this open-loop transimpedance response. This is analogous to the open-loop voltage gain curve for a voltage-feedback op amp. Developing the transfer function for the circuit of Figure 13 gives Equation 2:

$$\frac{V_O}{V_I} = \frac{\alpha \left(1 + \frac{R_F}{R_G}\right)}{R_F + R_I \left(1 + \frac{R_F}{R_G}\right) + \frac{Z(s)}{1 + \frac{\alpha NG}{R_F + R_I NG}}} = \frac{\alpha NG}{1 + \frac{Z(s)}{R_F + R_I NG}} \quad \left[NG = \left(1 + \frac{R_F}{R_G}\right) \right] \quad (2)$$

This is written in a loop-gain analysis format where the errors arising from a non-infinite open-loop gain are shown in the denominator. If $Z(s)$ were infinite over all frequencies, the denominator of Equation 2 would reduce to 1 and the ideal desired signal gain shown in the numerator would be achieved. The fraction in the denominator of Equation 2 determines the frequency response. Equation 3 shows this as the loop-gain equation.

$$\frac{Z(s)}{R_F + R_I NG} = \text{Loop Gain} \quad (3)$$

If $20 \cdot \log(R_F + NG \cdot R_I)$ were drawn on top of the open-loop transimpedance plot, the difference between the two would be the loop gain at a given frequency. Eventually, $Z(s)$ rolls off to equal the denominator of Equation 3, at which point the loop gain has reduced to 1 (and the curves have intersected). This point of equality is where the amplifier's closed-loop

frequency response given by Equation 2 will start to roll off, and is exactly analogous to the frequency at which the noise gain equals the open-loop voltage gain for a voltage-feedback op amp. The difference here is that the total impedance in the denominator of Equation 3 may be controlled somewhat separately from the desired signal gain (or NG).

The OPA2683 is internally compensated to give a maximally flat frequency response for $R_F = 953\Omega$ at $NG = 2$ on $\pm 5V$ supplies. That optimum value goes to $1.2k\Omega$ on a single $+5V$ supply. Normally, with a current-feedback amplifier, it is possible to adjust the feedback resistor to hold this bandwidth up as the gain is increased. The CFB_{PLUS} architecture has reduced the contribution of the inverting input impedance to provide exceptional bandwidth to higher gains without adjusting the feedback resistor value. The Typical Characteristics show the small-signal bandwidth over gain with a fixed feedback resistor.

Putting a closed-loop buffer between the noninverting and inverting inputs does bring some added considerations. Since the voltage at the inverting output node is now the output of a locally closed-loop buffer, parasitic external capacitance on this node can cause frequency response peaking for the transfer function from the noninverting input voltage to the inverting node voltage. While it is always important to keep the inverting node capacitance low for any current-feedback op amp, it is critically important for the OPA2683. External layout capacitance in excess of $2pF$ will start to peak the frequency response. This peaking can be easily reduced by then increasing the feedback resistor value—but it is preferable, from a noise and dynamic range standpoint, to keep that capacitance low, allowing a close to nominal 953Ω feedback resistor for flat frequency response. Very high parasitic capacitance values on the inverting node ($> 5pF$) can possibly cause input stage oscillation that cannot be filtered by a feedback element adjustment.

An added consideration is that at very high gains, 2nd-order effects in the inverting output impedance cause the overall response to peak up. If desired, it is possible to retain a flat frequency response at higher gains by adjusting the feedback resistor to higher values as the gain is increased. Since the exact value of feedback that will give a flat frequency response at high gains depends strongly in inverting and output node parasitic capacitance values, it is best to experiment in the specific board with increasing values until the desired flatness (or pulse response shape) is obtained. In general, increasing R_F (and then adjusting R_G to the desired gain) will move towards flattening the response, while decreasing it will extend the bandwidth at the cost of some peaking. The OPA683 data sheet gives an example of this optimization of R_F versus gain.

OUTPUT CURRENT AND VOLTAGE

The OPA2683 provides output voltage and current capabilities that can support the needs of driving doubly-terminated 50 Ω lines. If the 1k Ω load of Figure 1 is changed to a 100 Ω load, the total load is the parallel combination of the 100 Ω load, and the 1.9k Ω total feedback network impedance. This 95 Ω load will require no more than 42mA output current to support the $\pm 4.0V$ minimum output voltage swing specified for 1k Ω loads. This is well below the specified minimum +120/–90mA specifications over the full temperature range.

The specifications described above, though familiar in the industry, consider voltage and current limits separately. In many applications, it is the voltage \cdot current, or V-I product, which is more relevant to circuit operation. Refer to the *Output Voltage and Current Limitations* plot in the Typical Characteristics. The X- and Y-axes of this graph show the zero-voltage output current limit and the zero-current output voltage limit, respectively. The four quadrants give a more detailed view of the OPA2683's output drive capabilities. Superimposing resistor load lines onto the plot shows the available output voltage and current for specific loads.

The minimum specified output voltage and current over temperature are set by worst-case simulations at the cold temperature extreme. Only at cold startup will the output current and voltage decrease to the numbers shown in the electrical characteristic tables. As the output transistors deliver power, their junction temperatures will increase, decreasing their V_{BEs} (increasing the available output voltage swing) and increasing their current gains (increasing the available output current). In steady-state operation, the available output voltage and current will always be greater than that shown in the over-temperature specifications since the output stage junction temperatures will be higher than the minimum specified operating ambient.

To maintain maximum output stage linearity, no output short-circuit protection is provided. This will not normally be a problem, since most applications include a series matching resistor at the output that will limit the internal power dissipation if the output side of this resistor is shorted to ground. However, shorting the output pin directly to the adjacent positive power-supply pin can destroy the amplifier. If additional short-circuit protection is required, consider a small series resistor in the power-supply leads. This resistor will, under heavy output loads, reduce the available output voltage swing. A 5 Ω series resistor in each power-supply lead will limit the internal power dissipation to less than 1W for an output short-circuit, while decreasing the available output voltage swing only 0.25V for up to 50mA desired load currents. Always place the 0.1 μF power-supply decoupling capacitors after these supply current limiting resistors directly on the supply pins.

DRIVING CAPACITIVE LOADS

One of the most demanding and yet very common load conditions for an op amp is capacitive loading. Often, the capacitive load is the input of an ADC, including additional external capacitance which may be recommended to improve ADC linearity. A high-speed, high open-loop gain amplifier like the OPA2683 can be very susceptible to decreased stability and closed-loop response peaking when a capacitive load is placed directly on the output pin. When the amplifier's open-loop output resistance is considered, this capacitive load introduces an additional pole in the signal path that can decrease the phase margin. Several external solutions to this problem have been suggested. When the primary considerations are frequency response flatness, pulse response fidelity, and/or distortion, the simplest and most effective solution is to isolate the capacitive load from the feedback loop by inserting a series isolation resistor between the amplifier output and the capacitive load. This does not eliminate the pole from the loop response, but rather shifts it and adds a zero at a higher frequency. The additional zero acts to cancel the phase lag from the capacitive load pole, thus increasing the phase margin and improving stability.

The Typical Characteristics show the recommended R_S vs C_{LOAD} and the resulting frequency response at the load. The 1k Ω resistor shown in parallel with the load capacitor is a measurement path and may be omitted. The required series resistor value may be reduced by increasing the feedback resistor value from its nominal recommended value. This will increase the phase margin for the loop gain, allowing a lower series resistor to be effective in reducing the peaking due to capacitive load. SPICE simulation can be effectively used to optimize this approach. Parasitic capacitive loads greater than 5pF can begin to degrade the performance of the OPA2683. Long PC board traces, unmatched cables, and connections to multiple devices can easily cause this value to be exceeded. Always consider this effect carefully, and add the recommended series resistor as close as possible to the OPA2683 output pin (see Board Layout Guidelines).

DISTORTION PERFORMANCE

The OPA2683 provides very low distortion in a low-power part. The CFB_{PLUS} architecture also gives two significant areas of distortion improvement. First, in operating regions where the 2nd-harmonic distortion due to output stage nonlinearities is very low (frequencies < 1MHz, low output swings into light loads) the linearization at the inverting node provided by the CFB_{PLUS} design gives 2nd-harmonic distortions that extend into the -90dBc region. Previous current-feedback amplifiers have been limited to approximately -85dBc due to the nonlinearities at the inverting input. The second area of distortion improvement comes in a distortion performance that is largely gain independent. To the extent that the distortion at a specific output power is output stage dependent, 3rd-harmonics particularly, and to a lesser extent 2nd-harmonic distortion, remains constant as the gain increases. This is due to the constant loop gain versus signal gain provided by the CFB_{PLUS} design. As shown in the Typical Characteristics, while the 3rd-harmonic is constant with gain, the 2nd-harmonic degrades at higher gains. This is largely due to board parasitic issues. Slightly imbalanced load return currents will couple into the gain resistor to cause a portion of the 2nd-harmonic distortion. At high gains, this imbalance has more gain to the output giving increased 2nd-harmonic distortion.

Relative to alternative amplifiers with < 2mA supply current, the OPA2683 holds much lower distortion at higher frequencies (> 5MHz) and to higher gains. Generally, until the fundamental signal reaches very high frequency or power levels, the 2nd-harmonic will dominate the distortion with a lower 3rd-harmonic component. Focusing then on the 2nd-harmonic, increasing the load impedance improves distortion directly. Remember that the total load includes the feedback network—in the noninverting configuration (see Figure 1) this is the sum of $R_F + R_G$, while in the inverting configuration it is just R_F . Also, providing an additional supply decoupling capacitor (0.1μF) between the supply pins (for bipolar operation) improves the 2nd-order distortion slightly (3dB to 6dB).

In most op amps, increasing the output voltage swing increases harmonic distortion directly. A low-power part like the OPA2683 includes quiescent boost circuits to provide the full-power bandwidth shown in the Typical Characteristics. These act to increase the bias in a very linear fashion only when high slew rate or output power are required. This also acts to actually reduce the distortion slightly at higher output power levels. The Typical Characteristics show the 2nd-harmonic holding constant from 500mV_{PP} to 5V_{PP} outputs while the 3rd-harmonics actually decrease with increasing output power.

The OPA2683 has an extremely low 3rd-order harmonic distortion, particularly for light loads and at lower frequencies. This also gives low 2-tone, 3rd-order intermodulation distortion as shown in the Typical Characteristics. Since the OPA2683 includes internal power boost circuits to retain good full-power performance at high frequencies and outputs, it does not show a classical 2-tone, 3rd-order intermodulation intercept characteristic. Instead, it holds relatively low and constant 3rd-order intermodulation spurious levels over power. The Typical Characteristics show this spurious level as a dBc below the carrier at fixed center frequencies swept over single-tone power at a matched 50Ω load. These spurious levels drop significantly (> 12dB) for lighter loads than the 100Ω used in that plot. Converter inputs, for instance, will see ≤ 82dBc 3rd-order spurious to 10MHz for full-scale inputs. For even lower 3rd-order intermodulation distortion to much higher frequencies, consider the OPA2691.

NOISE PERFORMANCE

Wideband current-feedback op amps generally have a higher output noise than comparable voltage-feedback op amps. The OPA2683 offers an excellent balance between voltage and current noise terms to achieve low output noise in a low-power amplifier. The inverting current noise (11.6pA/√Hz) is lower than most other current-feedback op amps while the input voltage noise (4.4nV/√Hz) is lower than any unity-gain stable, comparable slew rate, < 5mA/ch voltage-feedback op amp. This low input voltage noise was achieved at the price of higher noninverting input current noise (5.1pA/√Hz). As long as the AC source impedance looking out of the noninverting node is less than 200Ω, this current noise will not contribute significantly to the total output noise. The op amp input voltage noise and the two input current noise terms combine to give low output noise under a wide variety of operating conditions. Figure 14 shows the op amp noise analysis model with all the noise terms included. In this model, all noise terms are taken to be noise voltage or current density terms in either nV/√Hz or pA/√Hz.

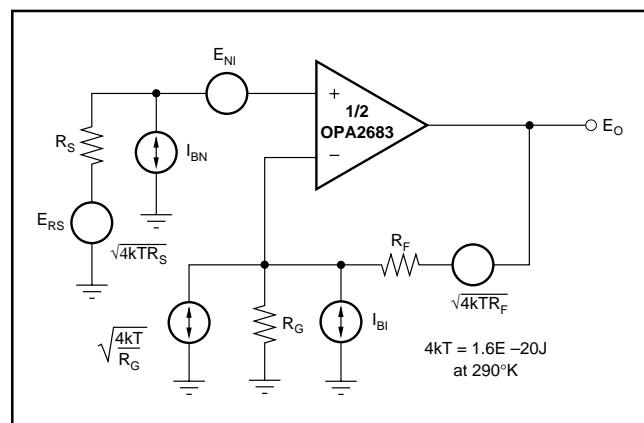


FIGURE 14. Op Amp Noise Analysis Model.

The total output spot noise voltage can be computed as the square root of the sum of all squared output noise voltage contributors. Equation 4 shows the general form for the output noise voltage using the terms presented in Figure 14.

$$E_O = \sqrt{\left(E_{NI}^2 + (I_{BN}R_S)^2 + 4kTR_S\right)NG^2 + (I_{BI}R_F)^2 + 4kTR_F} \quad (4)$$

Dividing this expression by the noise gain ($NG = (1 + R_F/R_G)$) will give the equivalent input referred spot noise voltage at the noninverting input, as shown in Equation 5.

$$E_N = \sqrt{E_{NI}^2 + (I_{BN}R_S)^2 + 4kTR_S + \left(\frac{I_{BI}R_F}{NG}\right)^2 + \frac{4kTR_F}{NG}} \quad (5)$$

Evaluating these two equations for the OPA2683 circuit and component values (see Figure 1) will give a total output spot noise voltage of $15.2nV/\sqrt{Hz}$ and a total equivalent input spot noise voltage of $7.6nV/\sqrt{Hz}$. This total input referred spot noise voltage is higher than the $4.4nV/\sqrt{Hz}$ specification for the op amp voltage noise alone. This reflects the noise added to the output by the inverting current noise times the feedback resistor. As the gain is increased, this fixed output noise power term contributes less to the total output noise and the total input referred voltage noise given by Equation 5 will approach just the $4.4nV/\sqrt{Hz}$ of the op amp itself. For example, going to a gain of +20 in the circuit of Figure 1, adjusting only the gain resistor to 50Ω , will give a total input referred noise of $4.6nV/\sqrt{Hz}$. A more complete description of op amp noise analysis can be found in TI application note AB-103, *Noise Analysis for High-Speed Op Amps* (SBOA066), located at www.ti.com.

DC ACCURACY AND OFFSET CONTROL

A current-feedback op amp like the OPA2683 provides exceptional bandwidth in high gains, giving fast pulse settling but only moderate DC accuracy. The Electrical Characteristics show an input offset voltage comparable to high slew rate voltage-feedback amplifiers. The two input bias currents, however, are somewhat higher and are unmatched. Whereas bias current cancellation techniques are very effective with most voltage-feedback op amps, they do not generally reduce the output DC offset for wideband current-feedback op amps. Since the two input bias currents are unrelated in both magnitude and polarity, matching the source impedance looking out of each input to reduce their error contribution to the output is ineffective. Evaluating the configuration of Figure 1, using worst-case $+25^\circ C$ input offset voltage and the two input bias currents, gives a worst-case output offset range equal to:

$$\begin{aligned} & \pm(NG \cdot V_{OS}) + (I_{BN} \cdot R_S/2 \cdot NG) \pm (I_{BI} \cdot R_F) \\ & \text{where } NG = \text{noninverting signal gain} \\ & = \pm(2 \cdot 3.5mV) \pm (4.5\mu A \cdot 25\Omega \cdot 2) \pm (953\Omega \cdot 10mA) \\ & = \pm 7.0mV + 0.23mV \pm 9.5mV \\ & = \pm 16.73mV \end{aligned}$$

While the last term, the inverting bias current error, is dominant in this low-gain circuit, the input offset voltage will become the dominant DC error term as the gain exceeds $5V/V$. Where improved DC precision is required in a high-speed amplifier, consider the OPA656 single and OPA2822 dual voltage-feedback amplifiers.

DISABLE OPERATION

The OPA2683 provides an optional disable feature that may be used to reduce system power when channel operation is not required. If the V_{DIS} control pin is left unconnected, the OPA2683 will operate normally. To disable, the control pin must be asserted LOW. Figure 14 shows a simplified internal circuit for the disable control feature.

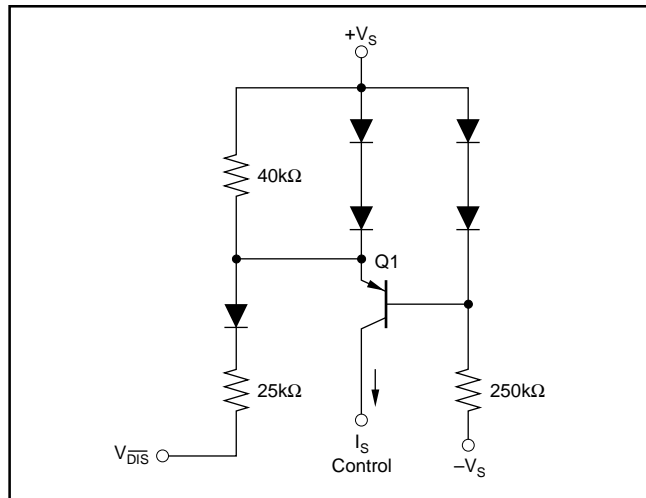


FIGURE 14. Simplified Disable Control Circuit.

In normal operation, base current to Q1 is provided through the $250k\Omega$ resistor while the emitter current through the $40k\Omega$ resistor sets up a voltage drop that is inadequate to turn on the two diodes in Q1's emitter. As V_{DIS} is pulled LOW, additional current is pulled through the $40k\Omega$ resistor eventually turning on these two diodes ($\approx 33\mu A$). At this point, any further current pulled out of V_{DIS} goes through those diodes holding the emitter-base voltage of Q1 at approximately $0V$. This shuts off the collector current out of Q1, turning the amplifier off. The supply current in the disable mode are only those required to operate the circuit of Figure 14.

When disabled, the output and input nodes go to a high impedance state. If the OPA2683 is operating in a gain of +1 (with a $1.2k\Omega$ feedback resistor still required for stability), this will show a very high impedance ($1.7pF \parallel 1M\Omega$) at the output and exceptional signal isolation. If operating at a gain greater than +1, the total feedback network resistance ($R_F + R_G$) will appear as the impedance looking back into the output, but the circuit will still show very high forward and reverse isolation. If configured as an inverting amplifier, the input and output will be connected through the feedback network resistance ($R_F + R_G$) giving relatively poor input to output isolation.

The OPA2683 provides very high power gain on low quiescent current levels. When disabled, internal high impedance nodes discharge slowly which, with the exceptional power gain provided, give a self powering characteristic that leads to a slow turn off characteristic. Typical full turn off times to rated 100µA disabled supply current are 60ms. Turn on times are very fast—less than 40ns.

THERMAL ANALYSIS

The OPA2683 will not require external heatsinking for most applications. Maximum desired junction temperature will set the maximum allowed internal power dissipation as described below. In no case should the maximum junction temperature be allowed to exceed 150°C.

Operating junction temperature (T_J) is given by $T_A + P_D \cdot \theta_{JA}$. The total internal power dissipation (P_D) is the sum of quiescent power (P_{DQ}) and additional power dissipated in the output stage (P_{DL}) to deliver load power. Quiescent power is simply the specified no-load supply current times the total supply voltage across the part. P_{DL} will depend on the required output signal and load but would, for a grounded resistive load, be at a maximum when the output is fixed at a voltage equal to 1/2 of either supply voltage (for equal bipolar supplies). Under this condition $P_{DL} = V_S^2 / (4 \cdot R_L)$ where R_L includes feedback network loading.

Note that it is the power in the output stage and not into the load that determines internal power dissipation.

As an absolute worst-case example, compute the maximum T_J using an OPA2683IDCN (SOT23-8 package) in the circuit of Figure 1 operating at the maximum specified ambient temperature of +85°C with both outputs driving a grounded 100Ω load to 2.5V_{DC}.

$$P_D = 10V \cdot 2.1mA + 2 \cdot (5^2 / (4 \cdot (100\Omega \parallel 1.9k\Omega))) = 153mW$$

$$\text{Maximum } T_J = +85^\circ\text{C} + (0.153W \cdot 150^\circ\text{C/W}) = 108^\circ\text{C}$$

This maximum operating junction temperature is well below most system level targets. Most applications will be lower than this since an absolute worst-case output stage power in both channels simultaneously was assumed in this calculation.

BOARD LAYOUT GUIDELINES

Achieving optimum performance with a high-frequency amplifier like the OPA2683 requires careful attention to board layout parasitics and external component types. Recommendations that will optimize performance include:

- a) **Minimize parasitic capacitance to any AC ground for all of the signal I/O pins.** Parasitic capacitance on the output and inverting input pins can cause instability; on the noninverting input, it can react with the source impedance to cause unintentional bandlimiting. To reduce unwanted capacitance, a window around the signal I/O pins should be opened in all of the ground and power planes around those pins. Otherwise, ground and power planes should be unbroken elsewhere on the board.
- b) **Minimize the distance (< 0.25") from the power-supply pins to high-frequency 0.1µF decoupling capacitors.** At the device pins, the ground and power-plane layout should not be in close proximity to the signal I/O pins. Avoid narrow power and ground traces to minimize inductance between the pins and the decoupling capacitors. The power-supply connections should always be decoupled with these capacitors. An optional supply decoupling capacitor (0.01µF) across the two power supplies (for bipolar operation) will improve 2nd-harmonic distortion performance. Larger (2.2µF to 6.8µF) decoupling capacitors, effective at lower frequency, should also be used on the main supply pins. These may be placed somewhat farther from the device and may be shared among several devices in the same area of the PC board.
- c) **Careful selection and placement of external components will preserve the high-frequency performance of the OPA2683.** Resistors should be a very low reactance type. Surface-mount resistors work best and allow a tighter overall layout. Metal film and carbon composition axially-leaded resistors can also provide good high-frequency performance. Again, keep their leads and PCB trace length as short as possible. Never use wirewound type resistors in a high-frequency application. Since the output pin and inverting input pin are the most sensitive to parasitic capacitance, always position the feedback and series output resistor, if any, as close as possible to the output pin. Other network components, such as noninverting input termination resistors, should also be placed close to the package. The frequency response is primarily determined by the feedback resistor value as described previously. Increasing its value will reduce the peaking at higher gains, while decreasing it will give a more peaked frequency response at lower gains. The 800Ω feedback resistor used in the Electrical Characteristics at a gain of +2 on ±5V supplies is a good starting point for design. Note that a 953Ω feedback resistor, rather than a direct short, is required for the unity-gain follower application. A current-feedback op amp requires a feedback resistor even in the unity-gain follower configuration to control stability.

d) **Connections to other wideband devices on the board may be made with short direct traces or through on-board transmission lines.** For short connections, consider the trace and the input to the next device as a lumped capacitive load. Relatively wide traces (50mils to 100mils) should be used, preferably with ground and power planes opened up around them. Estimate the total capacitive load and set R_S from the plot of recommended R_S vs C_{LOAD} . Low parasitic capacitive loads ($< 5\text{pF}$) may not need an R_S since the OPA2683 is nominally compensated to operate with a 2pF parasitic load. If a long trace is required, and the 6dB signal loss intrinsic to a doubly-terminated transmission line is acceptable, implement a matched impedance transmission line using microstrip or stripline techniques (consult an ECL design handbook for microstrip and stripline layout techniques). A 50Ω environment is normally not necessary onboard, and in fact a higher impedance environment will improve distortion, as shown in the distortion versus load plots. With a characteristic board trace impedance defined based on board material and trace dimensions, a matching series resistor into the trace from the output of the OPA2683 is used, as well as a terminating shunt resistor at the input of the destination device. Remember also that the terminating impedance will be the parallel combination of the shunt resistor and the input impedance of the destination device; this total effective impedance should be set to match the trace impedance. The high output voltage and current capability of the OPA2683 allows multiple destination devices to be handled as separate transmission lines, each with their own series and shunt terminations. If the 6dB attenuation of a doubly-terminated transmission line is unacceptable, a long trace can be series-terminated at the source end only. Treat the trace as a capacitive load in this case and set the series resistor value as shown in the plot of R_S vs C_{LOAD} . This will not preserve signal integrity as well as a doubly-terminated line. If the input impedance of the destination device is low, there will be some signal attenuation due to the voltage divider formed by the series output into the terminating impedance.

e) **Socketing a high-speed part like the OPA2683 is not recommended.** The additional lead length and pin-to-pin capacitance introduced by the socket can create an extremely troublesome parasitic network which can make it almost impossible to achieve a smooth, stable frequency response. Best results are obtained by soldering the OPA2683 onto the board.

INPUT AND ESD PROTECTION

The OPA2683 is built using a very high-speed complementary bipolar process. The internal junction breakdown voltages are relatively low for these very small geometry devices. These breakdowns are reflected in the Absolute Maximum Ratings table where an absolute maximum 13V across the supply pins is reported. All device pins have limited ESD protection using internal diodes to the power supplies, as shown in Figure 15.

These diodes provide moderate protection to input overdrive voltages above the supplies as well. The protection diodes can typically support 30mA continuous current. Where higher currents are possible (for example, in systems with $\pm 15\text{V}$ supply parts driving into the OPA2683), current-limiting series resistors should be added into the two inputs. Keep these resistor values as low as possible since high values degrade both noise performance and frequency response.

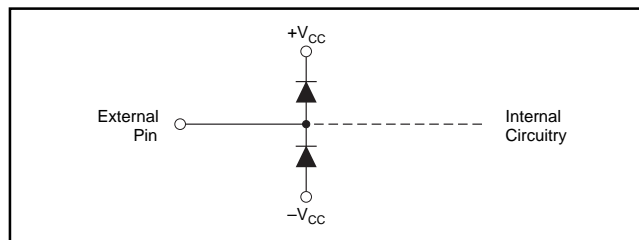


FIGURE 15. Internal ESD Protection.

Revision History

DATE	REVISION	PAGE	SECTION	DESCRIPTION
7/09	H	2	Package/Ordering Information	Changed package markings for D (SO-8) and DGS (MSOP-10) packages.
7/08	G	2	Absolute Maximum Ratings	Changed minimum storage temperature from -40°C to -65°C .

NOTE: Page numbers for previous revisions may differ from page numbers in the current version.

PACKAGING INFORMATION

Orderable Device	Status ⁽¹⁾	Package Type	Package Drawing	Pins	Package Qty	Eco Plan ⁽²⁾	Lead/Ball Finish	MSL Peak Temp ⁽³⁾
OPA2683ID	ACTIVE	SOIC	D	8	75	Green (RoHS & no Sb/Br)	CU NIPDAU	Level-2-260C-1 YEAR
OPA2683IDCNR	ACTIVE	SOT-23	DCN	8	3000	Green (RoHS & no Sb/Br)	CU NIPDAU	Level-2-260C-1 YEAR
OPA2683IDCNRG4	ACTIVE	SOT-23	DCN	8	3000	Green (RoHS & no Sb/Br)	CU NIPDAU	Level-2-260C-1 YEAR
OPA2683IDCNT	ACTIVE	SOT-23	DCN	8	250	Green (RoHS & no Sb/Br)	CU NIPDAU	Level-2-260C-1 YEAR
OPA2683IDG4	ACTIVE	SOIC	D	8	75	Green (RoHS & no Sb/Br)	CU NIPDAU	Level-2-260C-1 YEAR
OPA2683IDGSR	ACTIVE	MSOP	DGS	10	2500	Green (RoHS & no Sb/Br)	CU NIPDAU	Level-2-260C-1 YEAR
OPA2683IDGSRG4	ACTIVE	MSOP	DGS	10	2500	Green (RoHS & no Sb/Br)	CU NIPDAU	Level-2-260C-1 YEAR
OPA2683IDGST	ACTIVE	MSOP	DGS	10	250	Green (RoHS & no Sb/Br)	CU NIPDAU	Level-2-260C-1 YEAR
OPA2683IDGSTG4	ACTIVE	MSOP	DGS	10	250	Green (RoHS & no Sb/Br)	CU NIPDAU	Level-2-260C-1 YEAR
OPA2683IDR	ACTIVE	SOIC	D	8		TBD	Call TI	Call TI
OPA2683IDRG4	ACTIVE	SOIC	D	8		TBD	Call TI	Call TI

⁽¹⁾ The marketing status values are defined as follows:

ACTIVE: Product device recommended for new designs.

LIFEBUY: TI has announced that the device will be discontinued, and a lifetime-buy period is in effect.

NRND: Not recommended for new designs. Device is in production to support existing customers, but TI does not recommend using this part in a new design.

PREVIEW: Device has been announced but is not in production. Samples may or may not be available.

OBSELETE: TI has discontinued the production of the device.

⁽²⁾ Eco Plan - The planned eco-friendly classification: Pb-Free (RoHS), Pb-Free (RoHS Exempt), or Green (RoHS & no Sb/Br) - please check <http://www.ti.com/productcontent> for the latest availability information and additional product content details.

TBD: The Pb-Free/Green conversion plan has not been defined.

Pb-Free (RoHS): TI's terms "Lead-Free" or "Pb-Free" mean semiconductor products that are compatible with the current RoHS requirements for all 6 substances, including the requirement that lead not exceed 0.1% by weight in homogeneous materials. Where designed to be soldered at high temperatures, TI Pb-Free products are suitable for use in specified lead-free processes.

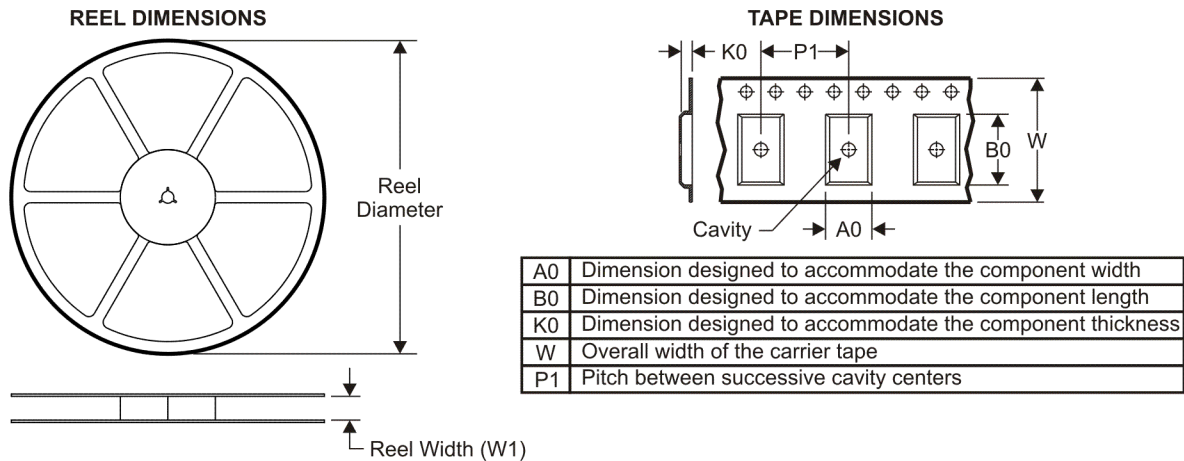
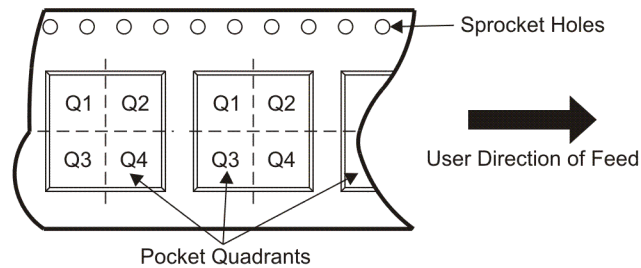
Pb-Free (RoHS Exempt): This component has a RoHS exemption for either 1) lead-based flip-chip solder bumps used between the die and package, or 2) lead-based die adhesive used between the die and leadframe. The component is otherwise considered Pb-Free (RoHS compatible) as defined above.

Green (RoHS & no Sb/Br): TI defines "Green" to mean Pb-Free (RoHS compatible), and free of Bromine (Br) and Antimony (Sb) based flame retardants (Br or Sb do not exceed 0.1% by weight in homogeneous material)

⁽³⁾ MSL, Peak Temp. -- The Moisture Sensitivity Level rating according to the JEDEC industry standard classifications, and peak solder temperature.

Important Information and Disclaimer:The information provided on this page represents TI's knowledge and belief as of the date that it is provided. TI bases its knowledge and belief on information provided by third parties, and makes no representation or warranty as to the accuracy of such information. Efforts are underway to better integrate information from third parties. TI has taken and continues to take reasonable steps to provide representative and accurate information but may not have conducted destructive testing or chemical analysis on incoming materials and chemicals. TI and TI suppliers consider certain information to be proprietary, and thus CAS numbers and other limited information may not be available for release.

In no event shall TI's liability arising out of such information exceed the total purchase price of the TI part(s) at issue in this document sold by TI to Customer on an annual basis.

TAPE AND REEL INFORMATION

QUADRANT ASSIGNMENTS FOR PIN 1 ORIENTATION IN TAPE


*All dimensions are nominal

Device	Package Type	Package Drawing	Pins	SPQ	Reel Diameter (mm)	Reel Width W1 (mm)	A0 (mm)	B0 (mm)	K0 (mm)	P1 (mm)	W (mm)	Pin1 Quadrant
OPA2683IDCNR	SOT-23	DCN	8	3000	180.0	8.4	3.2	3.1	1.39	4.0	8.0	Q3
OPA2683IDCNT	SOT-23	DCN	8	250	180.0	8.4	3.2	3.1	1.39	4.0	8.0	Q3
OPA2683IDGSR	MSOP	DGS	10	2500	330.0	12.4	5.3	3.4	1.4	8.0	12.0	Q1
OPA2683IDGST	MSOP	DGS	10	250	180.0	12.4	5.3	3.4	1.4	8.0	12.0	Q1

TAPE AND REEL BOX DIMENSIONS

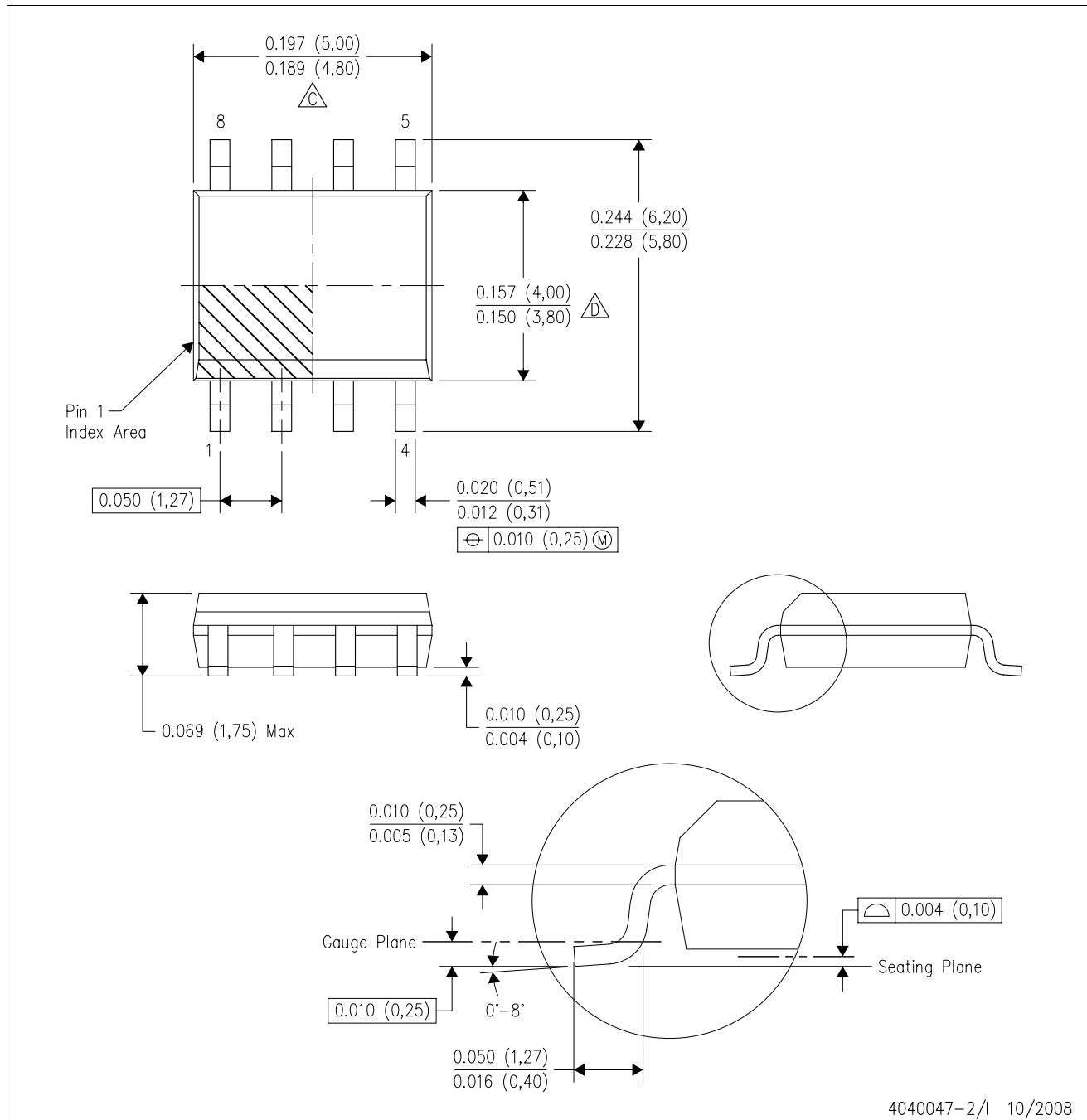


*All dimensions are nominal

Device	Package Type	Package Drawing	Pins	SPQ	Length (mm)	Width (mm)	Height (mm)
OPA2683IDCNR	SOT-23	DCN	8	3000	190.5	212.7	31.8
OPA2683IDCNT	SOT-23	DCN	8	250	190.5	212.7	31.8
OPA2683IDGSR	MSOP	DGS	10	2500	346.0	346.0	29.0
OPA2683IDGST	MSOP	DGS	10	250	190.5	212.7	31.8

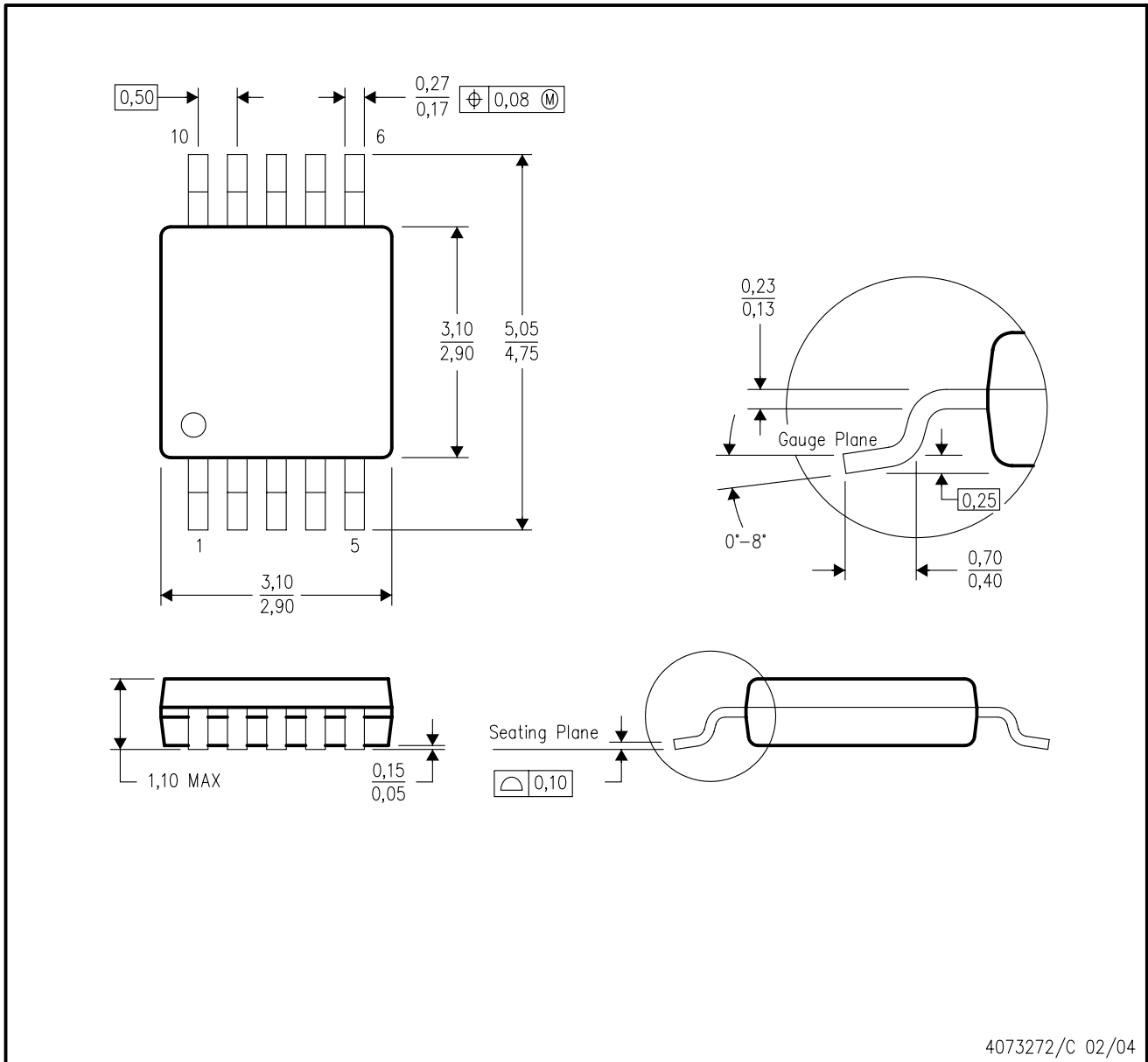
D (R-PDSO-G8)

PLASTIC SMALL-OUTLINE PACKAGE



DGS (S-PDSO-G10)

PLASTIC SMALL-OUTLINE PACKAGE

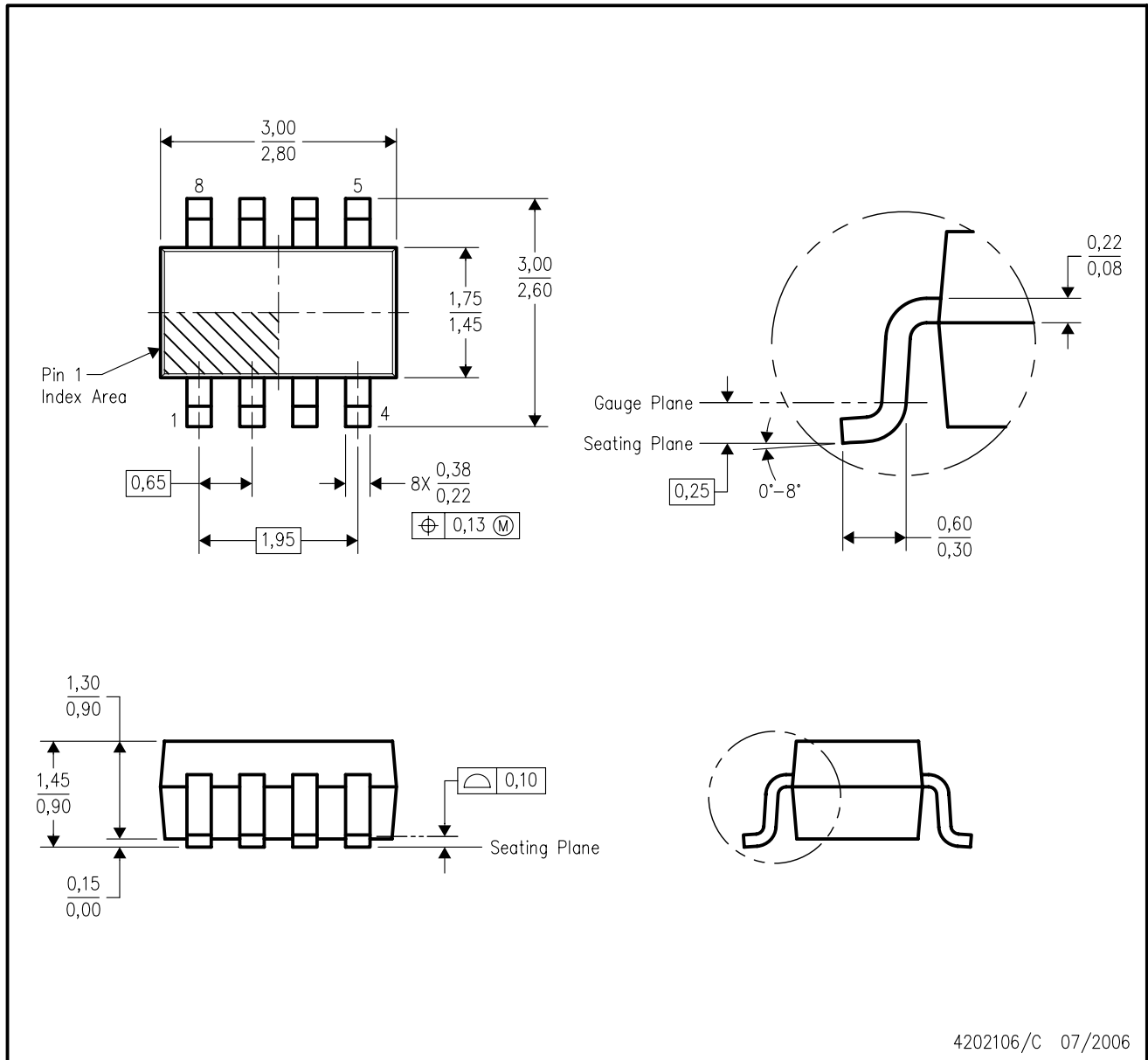


4073272/C 02/04

- NOTES:
- A. All linear dimensions are in millimeters.
 - B. This drawing is subject to change without notice.
 - C. Body dimensions do not include mold flash or protrusion.
 - D. Falls within JEDEC MO-187 variation BA.

DCN (R-PDSO-G8)

PLASTIC SMALL-OUTLINE PACKAGE (DIE DOWN)



- NOTES:
- A. All linear dimensions are in millimeters.
 - B. This drawing is subject to change without notice.
 - C. Package outline exclusive of mold flash, metal burr & dambar protrusion/intrusion.
 - D. Package outline inclusive of solder plating.
 - E. A visual index feature must be located within the Pin 1 index area.
 - F. Falls within JEDEC MO-178 Variation BA.

IMPORTANT NOTICE

Texas Instruments Incorporated and its subsidiaries (TI) reserve the right to make corrections, modifications, enhancements, improvements, and other changes to its products and services at any time and to discontinue any product or service without notice. Customers should obtain the latest relevant information before placing orders and should verify that such information is current and complete. All products are sold subject to TI's terms and conditions of sale supplied at the time of order acknowledgment.

TI warrants performance of its hardware products to the specifications applicable at the time of sale in accordance with TI's standard warranty. Testing and other quality control techniques are used to the extent TI deems necessary to support this warranty. Except where mandated by government requirements, testing of all parameters of each product is not necessarily performed.

TI assumes no liability for applications assistance or customer product design. Customers are responsible for their products and applications using TI components. To minimize the risks associated with customer products and applications, customers should provide adequate design and operating safeguards.

TI does not warrant or represent that any license, either express or implied, is granted under any TI patent right, copyright, mask work right, or other TI intellectual property right relating to any combination, machine, or process in which TI products or services are used. Information published by TI regarding third-party products or services does not constitute a license from TI to use such products or services or a warranty or endorsement thereof. Use of such information may require a license from a third party under the patents or other intellectual property of the third party, or a license from TI under the patents or other intellectual property of TI.

Reproduction of TI information in TI data books or data sheets is permissible only if reproduction is without alteration and is accompanied by all associated warranties, conditions, limitations, and notices. Reproduction of this information with alteration is an unfair and deceptive business practice. TI is not responsible or liable for such altered documentation. Information of third parties may be subject to additional restrictions.

Resale of TI products or services with statements different from or beyond the parameters stated by TI for that product or service voids all express and any implied warranties for the associated TI product or service and is an unfair and deceptive business practice. TI is not responsible or liable for any such statements.

TI products are not authorized for use in safety-critical applications (such as life support) where a failure of the TI product would reasonably be expected to cause severe personal injury or death, unless officers of the parties have executed an agreement specifically governing such use. Buyers represent that they have all necessary expertise in the safety and regulatory ramifications of their applications, and acknowledge and agree that they are solely responsible for all legal, regulatory and safety-related requirements concerning their products and any use of TI products in such safety-critical applications, notwithstanding any applications-related information or support that may be provided by TI. Further, Buyers must fully indemnify TI and its representatives against any damages arising out of the use of TI products in such safety-critical applications.

TI products are neither designed nor intended for use in military/aerospace applications or environments unless the TI products are specifically designated by TI as military-grade or "enhanced plastic." Only products designated by TI as military-grade meet military specifications. Buyers acknowledge and agree that any such use of TI products which TI has not designated as military-grade is solely at the Buyer's risk, and that they are solely responsible for compliance with all legal and regulatory requirements in connection with such use.

TI products are neither designed nor intended for use in automotive applications or environments unless the specific TI products are designated by TI as compliant with ISO/TS 16949 requirements. Buyers acknowledge and agree that, if they use any non-designated products in automotive applications, TI will not be responsible for any failure to meet such requirements.

Following are URLs where you can obtain information on other Texas Instruments products and application solutions:

Products

Amplifiers	amplifier.ti.com
Data Converters	dataconverter.ti.com
DLP® Products	www.dlp.com
DSP	dsp.ti.com
Clocks and Timers	www.ti.com/clocks
Interface	interface.ti.com
Logic	logic.ti.com
Power Mgmt	power.ti.com
Microcontrollers	microcontroller.ti.com
RFID	www.ti-rfid.com
RF/IF and ZigBee® Solutions	www.ti.com/lprf

Applications

Audio	www.ti.com/audio
Automotive	www.ti.com/automotive
Broadband	www.ti.com/broadband
Digital Control	www.ti.com/digitalcontrol
Medical	www.ti.com/medical
Military	www.ti.com/military
Optical Networking	www.ti.com/opticalnetwork
Security	www.ti.com/security
Telephony	www.ti.com/telephony
Video & Imaging	www.ti.com/video
Wireless	www.ti.com/wireless

Mailing Address: Texas Instruments, Post Office Box 655303, Dallas, Texas 75265
Copyright © 2009, Texas Instruments Incorporated

Looking for pricing, stock, or lifecycle information?

Click below to explore more details on WIN SOURCE:

 [View OPA2683IDRG4](#) on WIN SOURCE

 [Texas Instruments](#) Information

Optimize Your Supply Chain with WIN SOURCE Solutions

-  Global Sourcing Solution
-  Obsolete Management
-  Cost Control Management
-  Shortage Management
-  Alternative Solution
-  Excess Inventory Management