



THE DATASHEET OF
32CS-50



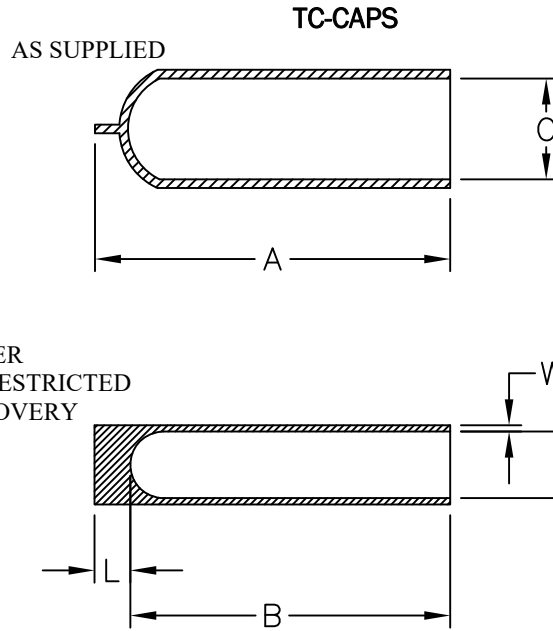


Table 1: Dimensions Millimeters (*Inches*)

Size	(A)	(B) Minimum	(L) Nominal	(C) Minimum	(D) Maximum	(W)
TC 4001	19.1(0.750) ± 1.6(0.063)	10.2(0.400)	3.8(0.15)	1.6(0.063)	0.8(0.030)	0.51(0.020) ± 0.1(0.005)
TC 4003	25.4(1.000) ± 1.6(0.063)	14(0.550)	3.8(0.15)	3.2(0.125)	1.3(0.050)	0.64(0.025) ± 0.1(0.005)
TC 4005	28.6(1.125) ± 1.6(0.063)	14(0.550)	3.8(0.15)	6.4(0.250)	2.5(0.100)	0.69(0.027) ± 0.1(0.005)

Color: TC4001 White
TC4003 Red
TC4005 Gray


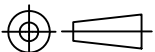
Reference Specification TEC-108-120013

RELEASED FOR PUBLICATION

ALL RIGHTS RESERVED.



THIS DRAWING IS UNPUBLISHED.

© COPYRIGHT 2018 TE Connectivity

DIMENSIONS: mm		DWN J. Bitter	29-NOV-16	MATERIAL -	FINISH -	
TOLERANCES UNLESS OTHERWISE SPECIFIED:		CHK -	-	 TE Connectivity 305 Constitution Drive Menlo Park, CA 94025 USA		
0 PLC ± -	1 PLC ± -	APVD -	-			
2 PLC ± -	3 PLC ± -	PRODUCT SPEC -	-	NAME TC-CAPS		
4 PLC ± -	ANGLES ± -	APPLICATION SPEC -	-	SIZE A4	CAGE CODE 06090	DRAWING NO TC-CAPS
		WEIGHT 0	-	RESTRICTED TO -		SCALE None
CUSTOMER DRAWING				SHEET 1	OF 1	REV E

Looking for pricing, stock, or lifecycle information?

Click below to explore more details on WIN SOURCE:

-  [View 32CS-50 on WIN SOURCE](#)
-  [TE Connectivity Information](#)

Optimize Your Supply Chain with WIN SOURCE Solutions

-  Global Sourcing Solution
-  Obsolete Management
-  Cost Control Management
-  Shortage Management
-  Alternative Solution
-  Excess Inventory Management