



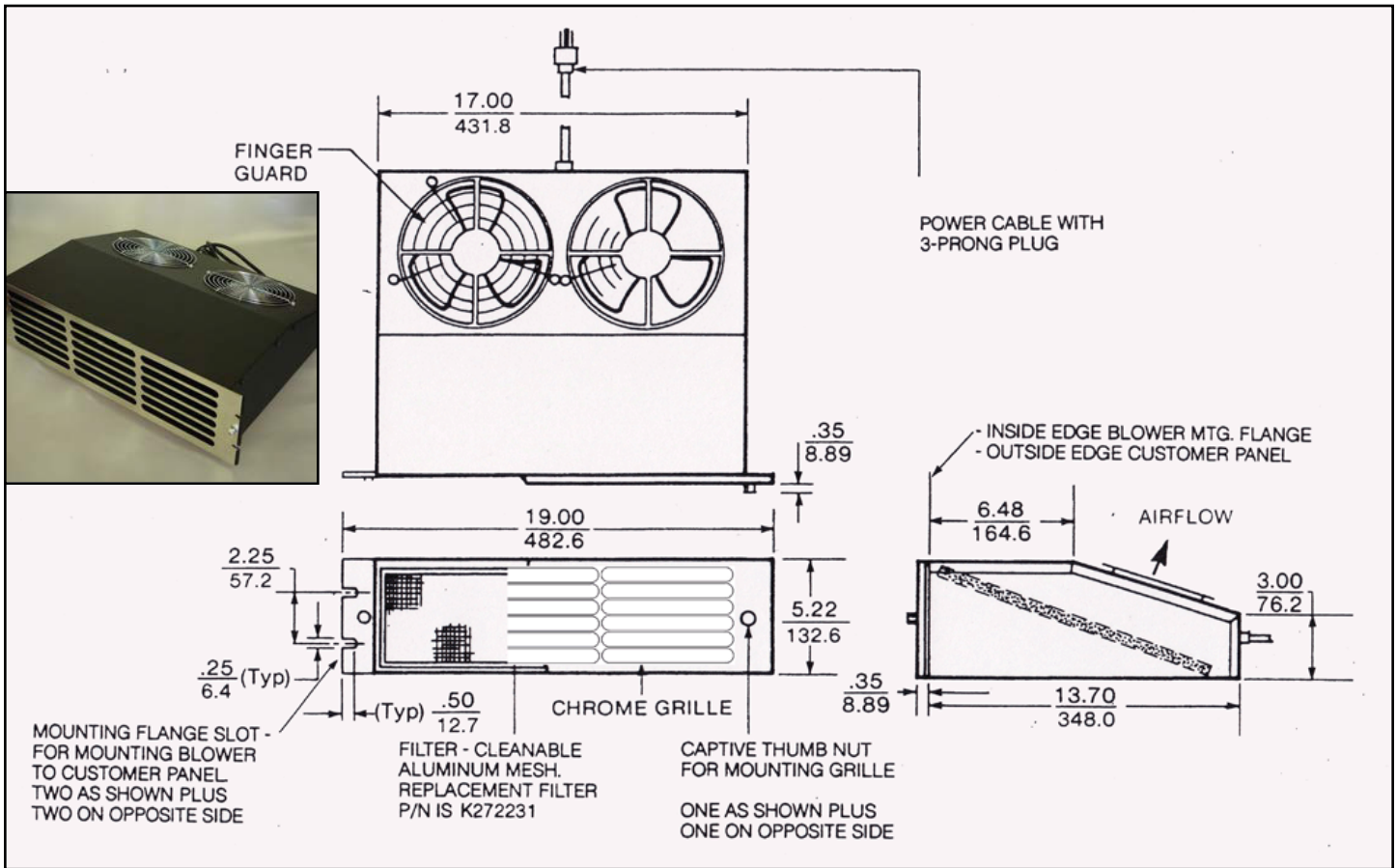
**THE DATASHEET OF
OMB5200-120**



OMB5200 Series





FanTray - Blower Assembly



Part Number	OMB5200-120	OMB5200-230
No. of Fans	2	2
Bearing System	Dual Ball Bearing	Dual Ball Bearing
Nominal Voltage (60Hz)	115 VAC	230 VAC
Input Power	70 Watts	70 Watts
Rated Speed (RPM)	3500	3500
Airflow (CFM)	340	340
Noise Level (dB)	57	57
Life Expectancy	60,000 hrs (25C)	60,000 hrs (25C)
Standard	Fits EIA 19" Rack Cabinets	Fits EIA 19" Rack Cabinets

Looking for pricing, stock, or lifecycle information?

Click below to explore more details on WIN SOURCE:

-  [View OMB5200-120 on WIN SOURCE](#)
-  [Orion Fans Information](#)

Optimize Your Supply Chain with WIN SOURCE Solutions

-  Global Sourcing Solution
-  Obsolete Management
-  Cost Control Management
-  Shortage Management
-  Alternative Solution
-  Excess Inventory Management