

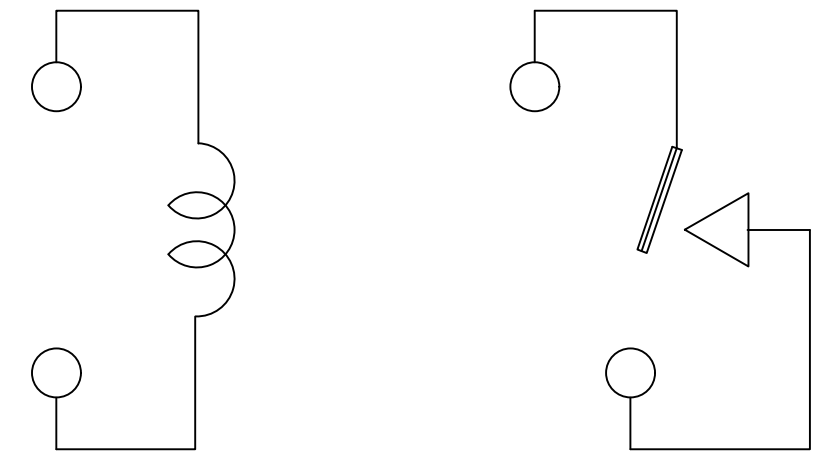
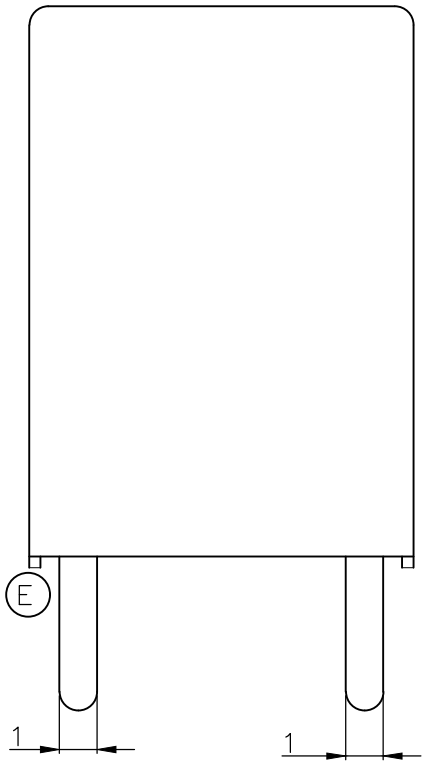
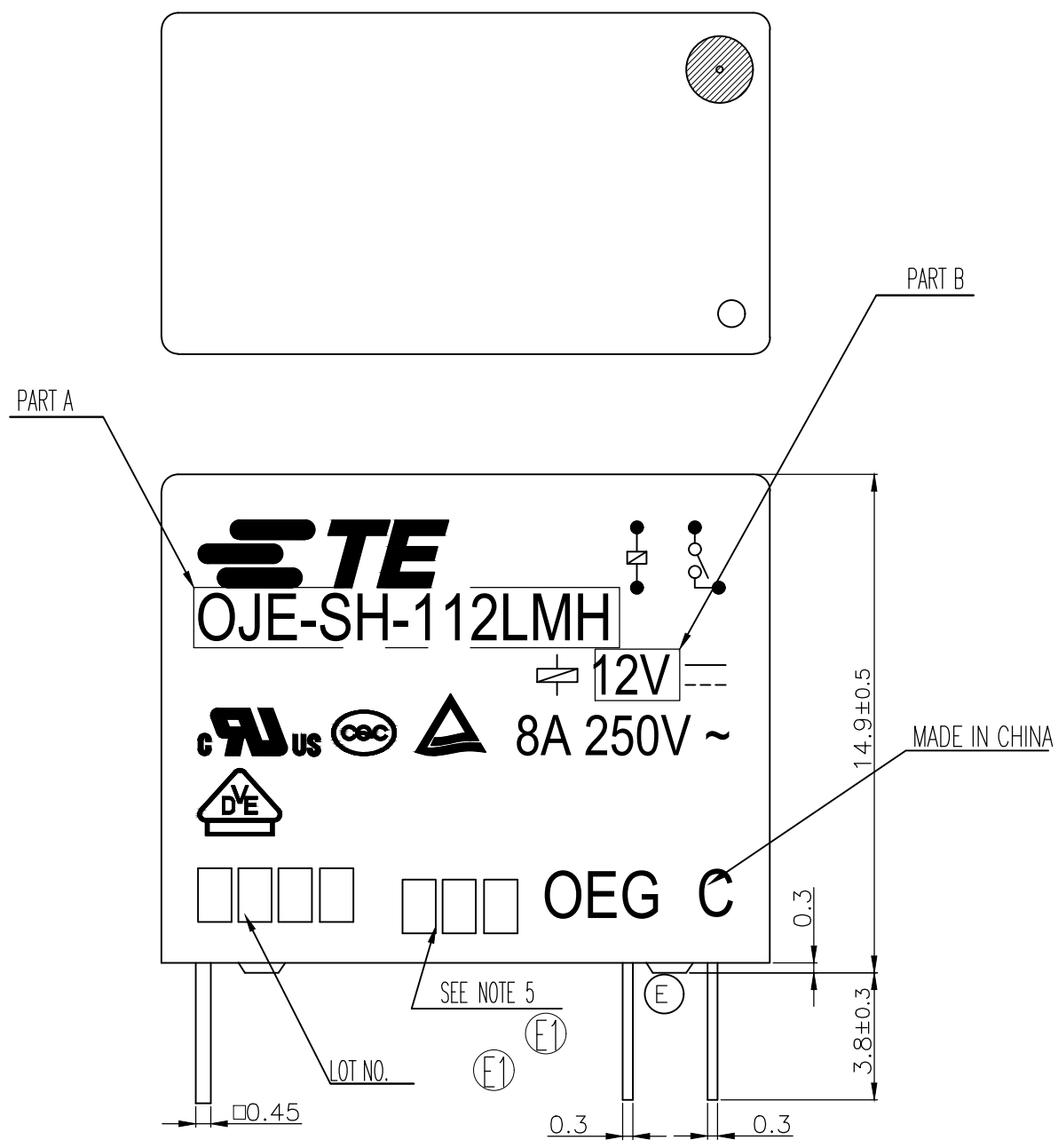


**THE DATASHEET OF
OJE-SH-112LMH**



THIS DRAWING IS UNPUBLISHED. RELEASED FOR PUBLICATION
 © COPYRIGHT - By - TE CONNECTIVITY ALL RIGHTS RESERVED.

LOC	DIST	REVISIONS					
		P	LTR	DESCRIPTION	DATE	DWN	APVD
HB	-		E	REMOVED THE RIB ON THE BASE TO CASE ECO-15-011310	03-Dec-15	YS.H	HLC
			E1	ADD NEW PN ECO-18-008228	25-May-18	WQ.Y	K.T



CONNECTION FIGURE

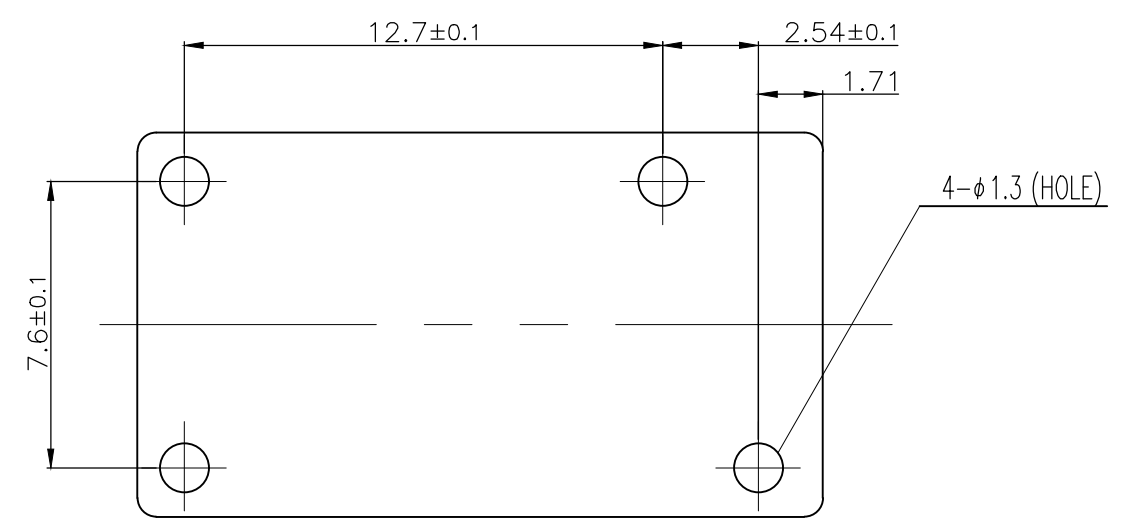
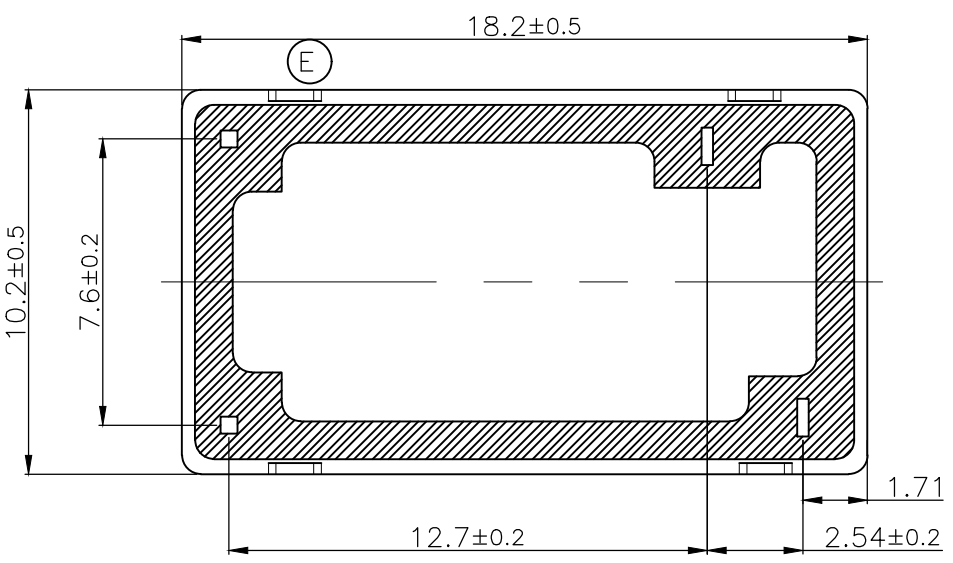


FIGURE FOR PRINTED CIRCUIT BOARD PROCESSING (BOTTOM VIEW)



THIS DRAWING IS A CONTROLLED DOCUMENT.		DWN	H.SASAKI				
		CHK	Y.OIKAWA				
		APVD	S.NAGAI		NAME		
		PRODUCT SPEC			-		
		APPLICATION SPEC			OJE-SH-LMH CUSTOMER DRAWING		
		SIZE	CAGE CODE	DRAWING NO	RESTRICTED TO		
			A300779	1461403	-		
		CUSTOMER DRAWING			SCALE	SHEET	REV
					5:1	1 of 2	E1

THIS DRAWING IS UNPUBLISHED. RELEASED FOR PUBLICATION
 © COPYRIGHT - By - TE CONNECTIVITY ALL RIGHTS RESERVED.

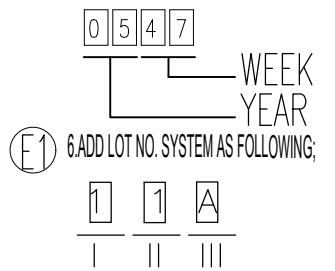
LOC	DIST	REVISIONS					
		P	LTR	DESCRIPTION	DATE	DWN	APVD
HB	-	-	-	SEE SHEET 1	-	-	-

FIG	TE PART NO	TE TYPE NAME	PACKAGE SPEC	PART B	PART A	TYPE		
D	C	B	1461403-7	OJE-SH-124LMH	107-84031	24V	OJE-SH-124LMH	g
			1461403-5	OJE-SH-124LMH	107-79010	24V	OJE-SH-124LMH	f
			1461403-4	OJE-SH-112LMH	107-79010	12V	OJE-SH-112LMH	e
			1461403-2	OJE-SH-109LMH	107-79010	9V	OJE-SH-109LMH	d
			1461403-1	OJE-SH-106LMH	107-79010	6V	OJE-SH-106LMH	c
			1461403-3	OJE-SH-105LMH	107-79010	5V	OJE-SH-105LMH	b
			1461403-6	OJE-SH-103LMH	107-79010	3V	OJE-SH-103LMH	a

RELAY TYPE

- NOTES:**
 1.ALL LOGO TO BE SCALE DOWNED
 2.FONT IS AIARL NARROW.
 3.PRODUCT SPECIFICATION AS SHOWN AT TABLE
 4.USE LASER MACHINE TO PRINT.

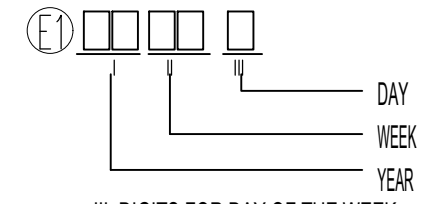
FIG A 5.LOT NO. SYSTEM AS FOLLOWING:



- 6.ADD LOT NO. SYSTEM AS FOLLOWING;
- I, DIGITS FOR DAY OF THE WEEK
 1...MONDAY IN THIS WEEK;
 2...TUESDAY IN THIS WEEK;

 7...SUNDAY IN THIS WEEK
- II, DIGITS FOR SHIFT OF THE DAY
 1...DAY SHIFT IN THIS DAY;
 2...NIGHT SHIFT IN THIS DAY;
- III, ONE CHARACTER DISTINGUISH THE LINE IDENTITY, SUCH AS: A,B.....Z

FIG B 5.LOT NO.SYSTEM AS FOLLOWING:



- III, DIGITS FOR DAY OF THE WEEK
 1...MONDAY IN THIS WEEK;
 2...TUESDAY IN THIS WEEK;



 7...SUNDAY IN THIS WEEK
- 6.ADD LOT NO. SYSTEM AS FOLLOWING;
- I, DIGITS FOR SHIFT OF THE DAY
 1...DAY SHIFT IN THIS DAY;
 2...NIGHT SHIFT IN THIS DAY;
- II, ONE CHARACTER DISTINGUISH THE LINE IDENTITY, SUCH AS: A,B.....Z
7. ANTI-EXPLOSIVE CERTIFICATION NUMBER,

		UV RESIN	SEEL (VENT HOLE)	16
		EPOXY RESIN	SEEL (BASE & BOBBIN)	15
		3UEW	MAGNETIC WIRE	14
94V-0		P.B.T	CASE	13
94V-0		P.B.T	BASE	12
94V-0		P.B.T	BOBBIN	11
	SOLDER DIP	C.P WIRE	COIL TERMINAL	10
FIG C	94V-0	LCP	CARD	9
FIG D	94V-0	P.P.S	CARD	
		Ag ALLOY	MOVABLE CONTACT	8
		Ag ALLOY	NO.CONTACT	7
		STEEL	HINGE SPRING	6
	SOLDER DIP	Cu ALLOY	NO.TERMINAL	5
	SOLDER DIP	Cu ALLOY	MOVABLE SPRING	4
	NIP	STEEL	CORE	3
	NIP	STEEL	ARMATURE	2
	NIP	STEEL	YOKE	1
INCOMBUSTIBILITY	TREATMENT	MATERIAL	DESCRIPTION	ITEM

THIS DRAWING IS A CONTROLLED DOCUMENT.		DWN	H.SASAKI	TE Connectivity OJE-SH-LMH CUSTOMER DRAWING			
DIMENSIONS: mm		CHK	Y.OIKAWA				
TOLERANCES UNLESS OTHERWISE SPECIFIED:		APVD	S.NAGAI				
0 PLC ± - 1 PLC ± - 2 PLC ± - 3 PLC ± - 4 PLC ± - ANGLES ± -		PRODUCT SPEC	SEE PRODUCT SPEC				
MATERIAL	FINISH	APPLICATION SPEC	-	SIZE	CAGE CODE	DRAWING NO	RESTRICTED TO
-	-	WEIGHT	-	A3	00779	1461403	-
CUSTOMER DRAWING				SCALE	5:1	SHEET	2 OF 2
				REV	E1		

Looking for pricing, stock, or lifecycle information?

Click below to explore more details on WIN SOURCE:

-  [View OJE-SH-112LMH on WIN SOURCE](#)
-  [TE Connectivity Information](#)

Optimize Your Supply Chain with WIN SOURCE Solutions

-  Global Sourcing Solution
-  Obsolete Management
-  Cost Control Management
-  Shortage Management
-  Alternative Solution
-  Excess Inventory Management