



**THE DATASHEET OF
NX3225SA-24.576000MHZ**



Specification of Quartz Crystal Units

| | | |
|-------|--|--|
| 1 | NDK Part Number | See table 1 |
| 2 | NDK Specification Number | STD-CSR-1 |
| 3 | Type | NX3225SA |
| 4 | Electrical Characteristics | |
| 4.1 | Nominal Frequency (f_{nom}) | See table 1 |
| 4.2 | Overtone order | Fundamental |
| 4.3 | Frequency Tolerance | $\pm 15 \times 10^{-6}$ max. (+25 °C) |
| 4.4 | Frequency Versus Temperature Characteristics | $\pm 15 \times 10^{-6}$ max. (-10 ~ +75 °C) The reference temperature shall be +25 °C |
| 4.5 | Equivalent Series Resistance (R_r) | See table 1 |
| 4.6 | Shunt Capacitance (C_0) | NA |
| 4.7 | Maximum Drive Level | 200 μ W max. |
| 5 | Measurement Circuit | |
| 5.1 | Frequency Measurement | |
| 5.1.1 | Measuring Instrument | π -network |
| 5.1.2 | Load Capacitance (C_L) | 8 pF |
| 5.1.3 | Level of Drive | 10 μ W |
| 5.2 | Equivalent Resistance Measurement | |
| 5.2.1 | Measuring Instrument | π -network |
| 5.2.2 | Load Capacitance (C_L) | Series |
| 5.2.3 | Level of Drive | 10 μ W |
| 6 | Operable Temperature Range | -10 ~ +75 °C |
| 7 | Storage Temperature Range | -40 ~ +85 °C |
| 8 | Dimension | |

(Unit: mm)

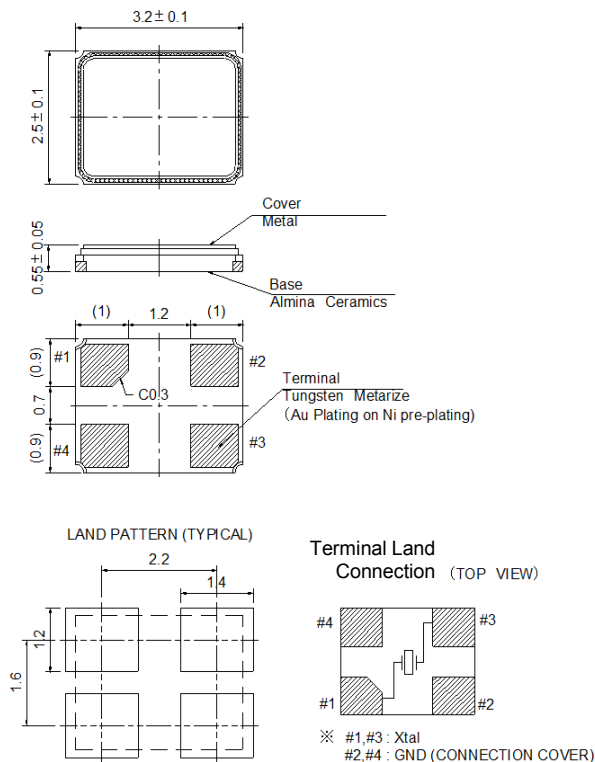



Table1

| f_{nom} (MHz) | R_r (Ω) max. | NDK Part Number |
|-----------------|-------------------------|------------------------------|
| 12.000 | 100 | NX3225SA-12.000M-STD-CSR-1 |
| 13.560 | 80 | NX3225SA-13.560M-STD-CSR-1 |
| 14.31818 | 80 | NX3225SA-14.31818M-STD-CSR-1 |
| 16.000 | 80 | NX3225SA-16.000M-STD-CSR-1 |
| 16.384 | 80 | NX3225SA-16.384M-STD-CSR-1 |
| 18.432 | 80 | NX3225SA-18.432M-STD-CSR-1 |
| 18.870 | 80 | NX3225SA-18.870M-STD-CSR-1 |
| 20.000 | 50 | NX3225SA-20.000M-STD-CSR-1 |
| 22.000 | 50 | NX3225SA-22.000M-STD-CSR-1 |
| 22.5792 | 50 | NX3225SA-22.5792M-STD-CSR-1 |
| 24.000 | 50 | NX3225SA-24.000M-STD-CSR-1 |
| 24.576 | 50 | NX3225SA-24.576M-STD-CSR-1 |
| 25.000 | 50 | NX3225SA-25.000M-STD-CSR-1 |
| 26.000 | 50 | NX3225SA-26.000M-STD-CSR-1 |
| 27.000 | 50 | NX3225SA-27.000M-STD-CSR-1 |
| 27.120 | 50 | NX3225SA-27.120M-STD-CSR-1 |
| 28.63636 | 50 | NX3225SA-28.63636M-STD-CSR-1 |
| 30.000 | 50 | NX3225SA-30.000M-STD-CSR-1 |
| 32.000 | 50 | NX3225SA-32.000M-STD-CSR-1 |
| 36.000 | 50 | NX3225SA-36.000M-STD-CSR-1 |
| 40.000 | 50 | NX3225SA-40.000M-STD-CSR-1 |
| 44.000 | 50 | NX3225SA-44.000M-STD-CSR-1 |
| 48.000 | 50 | NX3225SA-48.000M-STD-CSR-1 |
| 54.000 | 50 | NX3225SA-54.000M-STD-CSR-1 |

Looking for pricing, stock, or lifecycle information?

Click below to explore more details on WIN SOURCE:

-  [View NX3225SA-24.576000MHZ on WIN SOURCE](#)
-  [NDK Information](#)

Optimize Your Supply Chain with WIN SOURCE Solutions

-  Global Sourcing Solution
-  Obsolete Management
-  Cost Control Management
-  Shortage Management
-  Alternative Solution
-  Excess Inventory Management