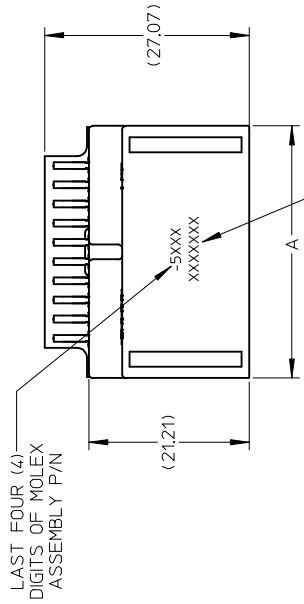


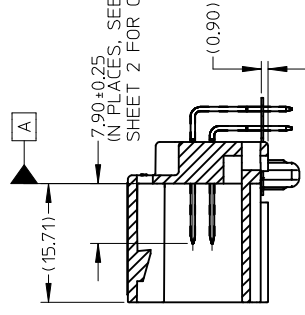


THE DATASHEET OF
307005147



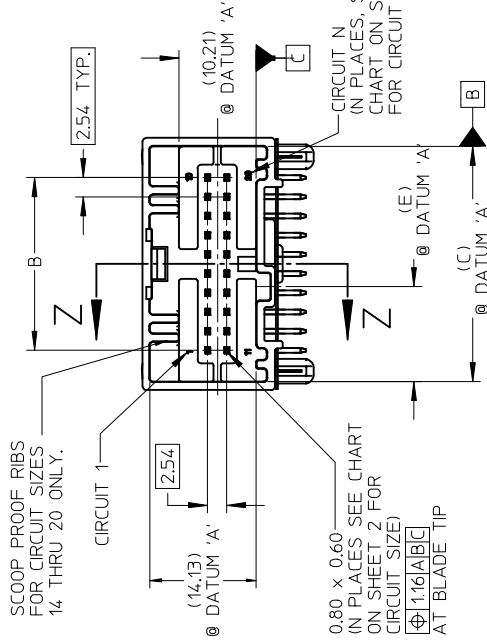


20 CIRCUIT RIGHT ANGLE
HEADER ASSEMBLY SHOWN



SECTION Z-Z

DATECODE, SEE NOTE 6



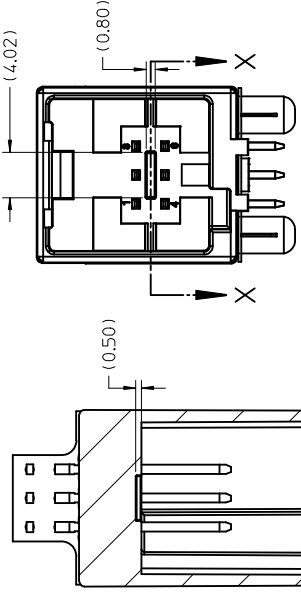
Ø 0.44 [E] K
USE PCB HOLE
PATTERN TO
ESTABLISH BASIC
DIMENSIONS

NOTES:

1. MATERIAL: HOUSING: SPS, TERMINAL: COP
PIN ALIGNMENT
2. FINISHES: TERMINAL: 150-125
3. PRODUCT SPECIFICATION:
4. PACKAGING SPECIFICATION:
5. MATES WITH: SERIES 3070
6. DATECODE DESCRIPTION:
- 1ST DIGIT: MACHINE
- 2ND THROUGH 4TH DIGIT: YEAR
(EXAMPLE: FEB. 3RD)
- 5TH DIGIT: LAST DIGIT
(EXAMPLE: 1999 = '9)
- 6TH THROUGH 7TH DIGIT: LOT NUMBER
RECOMMENDED OPTIONAL COLLAR HEAD, 6 LOBE.
TORQUE: 7 NEWTON CM.
- 7.

BELOW VIEWS APPLY TO

30700-5067/8/9 PART NUMBERS



SECTION X-X

SCALE 3:1

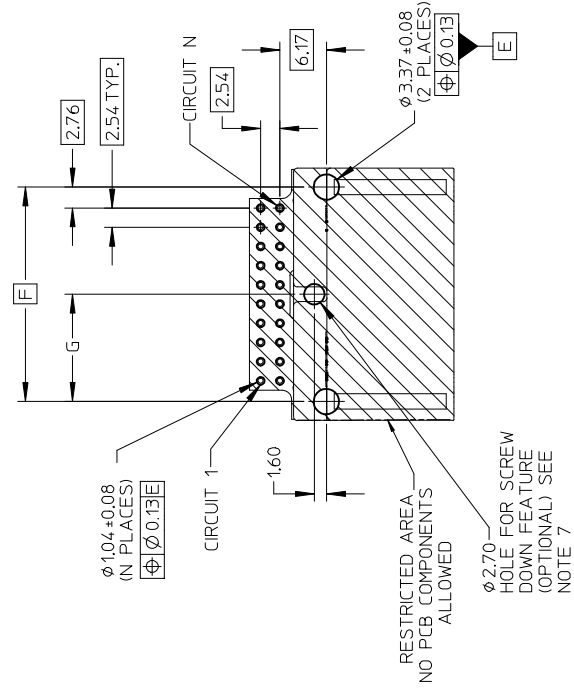
SEE ECN# UA2001-0258	REV	DESCRIPTION
FC NO: UA2017-0015	B4	
DRM: JFSCHER02015/06/09		
CHKD:		
APPR: RBAMAN 2016/07/15		

QUALITY SYMBOLS	GENERAL TOLERANCES (UNLESS SPECIFIED)	SCALE	DESIGN UNITS
▲ 0	mm ± ---	2:1	METRIC
△ 0	INCH ± ---		
	4 PLACES ± ---		
	3 PLACES ± ---		
	2 PLACES ± 0.13		
	1 PLACE ± 0.25		
	ANGULAR ± 1 °		
	DRAFT WHERE APPLICABLE MUST REMAIN WITHIN DIMENSIONS		
	APPROVED BY	CHECKED BY	DRAWN BY
	LGEIB	CKRISHNA	RCARLSON
	DATE	DATE	DATE
	01/03/28	01/03/27	01/03/20

THIS DRAWING CONTAINS INFORMATION THAT IS UNCLASSIFIED AND SHOULD BE PROTECTED AS SUCH

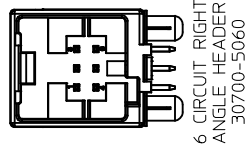
12 11 10 9 8 7 6 5 4

20 CIRCUIT PCB LAYOUT SHOWN BELOW

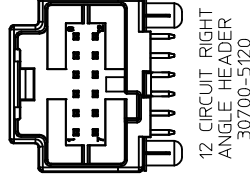


PCB LAYOUT: COMPONENT SIDE
RECOMMENDED PCB THICKNESS: 1.57±0.17

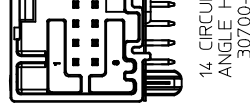
PCB LAYOUT DIMENSIONS		
CIRCUIT SIZE (N)	F	G
20	28.38	14.19
18	25.84	12.92
16	23.30	11.65
14	20.76	10.38
12	18.22	9.11
10	15.68	7.84
8	13.14	6.57
6	10.60	5.30



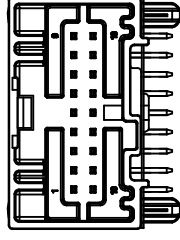
6 CIRCUIT RIGHT ANGLE HEADER 30700-5060



12 CIRCUIT RIGHT ANGLE HEADER 30700-5120



14 CIRCUIT RIGHT ANGLE HEADER 30700-5180



18 CIRCUIT RIGHT ANGLE HEADER 30700-5187

SEE ECN# UAU2001-0258	EC NO: UAU2017-0015	DRWN: JFISCHER02015/06/09	CHKD:	APPR: RBAMAN 2016/07/15
B4				
REV	DESCRIPTION			
	▲-0	▽C-0		

GENERAL TOLERANCES (UNLESS SPECIFIED)	SCALE		DESIGN UNITS
	MM	INCH	METRIC
4 PLACES ±---	±---	2:1	TITL
3 PLACES ±---	±---		DIMENSION STYLE
2 PLACES ±0.13	±---		MM ONLY
1 PLACE ±0.25	±---		DRAWN BY
ANGULAR ± 1°	±---		RCARLSON 01/03/20
			CHECKED BY
			CKRISHNA 01/03/27
			APPROVED BY
			LGEIB 01/03/28

DRAFT WHERE APPLICABLE MUST REMAIN WITHIN DIMENSIONS

THIS DRAWING CONTAINS INFORMATION INCORPORATED AND SHOULD BE

11 10 9 8 7 6 5 4

13	12	11	10	9	8	7	6	5	4		
J											
I	PACKAGING		POLARIZATION OPTIONS & CIRCUIT SIZE			PRODUCT DIMENSIONS					
	ASSEMBLY P/N TRAY PACKED	ASSEMBLY P/N TUBE PACKED	RIGHT ANGLE HEADER ASSEMBLY (POLARIZATION OPTIONS)	CIRCUIT SIZE	A	B	(C)	D	(E)	HOUSING COLOR	STATUS
	30700-5207	30700-5204	POLARIZATION OPTION #1	20	33.39	22.86	31.14	28.38	12.57	GRAY	RELEASED
	30700-5208	30700-5205	POLARIZATION OPTION #2	20	33.39	22.86	31.14	28.38	15.57	BLACK	RELEASED
	30700-5209	30700-5206	POLARIZATION OPTION #3	20	33.39	22.86	31.14	28.38	18.57	NATURAL (CREAM)	RELEASED
H	30700-5187	30700-5184	POLARIZATION OPTION #1	18	30.85	20.32	28.60	25.84	11.31	GRAY	RELEASED
	30700-5188	30700-5185	POLARIZATION OPTION #2	18	30.85	20.32	28.60	25.84	14.31	BLACK	RELEASED
	30700-5189	30700-5186	POLARIZATION OPTION #3	18	30.85	20.32	28.60	25.84	17.31	NATURAL (CREAM)	RELEASED
	30700-5167	30700-5164	POLARIZATION OPTION #1	16	28.31	17.78	26.06	23.30	10.04	GRAY	RELEASED
	30700-5168	30700-5165	POLARIZATION OPTION #2	16	28.31	17.78	26.06	23.30	13.04	BLACK	RELEASED
	30700-5169	30700-5166	POLARIZATION OPTION #3	16	28.31	17.78	26.06	23.30	16.04	NATURAL (CREAM)	RELEASED
G	30700-5147	30700-5144	POLARIZATION OPTION #1	14	25.77	15.24	23.52	20.76	8.77	GRAY	RELEASED
	30700-5148	30700-5145	POLARIZATION OPTION #2	14	25.77	15.24	23.52	20.76	11.77	BLACK	RELEASED
	30700-5149	30700-5146	POLARIZATION OPTION #3	14	25.77	15.24	23.52	20.76	14.77	NATURAL (CREAM)	RELEASED
	30700-5120	30700-5124	POLARIZATION OPTION #1	12	23.23	12.70	20.98	18.22	7.50	GRAY	RELEASED
	30700-5121	30700-5125	POLARIZATION OPTION #2	12	23.23	12.70	20.98	18.22	10.50	BLACK	RELEASED
	30700-5122	30700-5126	POLARIZATION OPTION #3	12	23.23	12.70	20.98	18.22	13.50	NATURAL (CREAM)	RELEASED
F	30700-5100	30700-5104	POLARIZATION OPTION #1	10	20.69	10.16	18.44	15.68	6.23	GRAY	RELEASED
	30700-5101	30700-5105	POLARIZATION OPTION #2	10	20.69	10.16	18.44	15.68	9.23	BLACK	RELEASED
	30700-5102	30700-5106	POLARIZATION OPTION #3	10	20.69	10.16	18.44	15.68	12.23	NATURAL (CREAM)	RELEASED
	30700-5080	30700-5084	POLARIZATION OPTION #1	8	18.15	7.62	15.90	13.14	4.96	GRAY	RELEASED
	30700-5081	30700-5085	POLARIZATION OPTION #2	8	18.15	7.62	15.90	13.14	7.96	BLACK	RELEASED
E	30700-5082	30700-5086	POLARIZATION OPTION #3	8	18.15	7.62	15.90	13.14	10.96	NATURAL (CREAM)	RELEASED
	30700-5060	30700-5064	POLARIZATION OPTION #1	6	15.61	5.08	13.36	10.60	3.69	GRAY	RELEASED
	30700-5061	30700-5065	POLARIZATION OPTION #2	6	15.61	5.08	13.36	10.60	6.69	BLACK	RELEASED
	30700-5062	30700-5066	POLARIZATION OPTION #3	6	15.61	5.08	13.36	10.60	9.69	NATURAL (CREAM)	RELEASED
	30700-5067	TBD	POLARIZATION OPTION #1 (MOAT)	6	15.61	5.08	13.36	10.60	3.69	GRAY	RELEASED
	30700-5068	TBD	POLARIZATION OPTION #2 (MOAT)	6	15.61	5.08	13.36	10.60	6.69	BLACK	RELEASED
D	30700-5069	TBD	POLARIZATION OPTION #3 (MOAT)	6	15.61	5.08	13.36	10.60	9.69	NATURAL (CREAM)	RELEASED
C											
B											
	QUALITY SYMBOLS = 0 = 0 = 0		GENERAL TOLERANCES (UNLESS SPECIFIED) mm mm INCH 4 PLACES ± --- ± --- ± --- 3 PLACES ± --- ± --- ± --- 2 PLACES ± 0.13 ± --- ± --- 1 PLACE ± 0.25 ± --- ± --- 0 PLACE ± --- ± --- ± ---			DIMENSION STYLE MM ONLY		DRAWN BY RCARLSON		DATE 01/03/20	
A	ENTER DESCRIPTION EC NO: UAU2017-0015 DRW: JF1SCHER01 2015/06/09 CHKD: APP: RBAUMAN 2016/07/15		DESCRIPTION B4			REVISIONS REVISION NO. DATE 1 01/03/28 2 01/03/27 3 01/03/20		MATERIAL NO. 9999999999		THIS DRAWING CONTAINS INCORPORATED AND S...	
	11	10	9	8	7	6	5	4			
	tb_frames_C_P_AM_T Rev. G 2012/01/11										

Looking for pricing, stock, or lifecycle information?

Click below to explore more details on WIN SOURCE:

 [View 307005147 on WIN SOURCE](#)

 [Molex, LLC Information](#)

Optimize Your Supply Chain with WIN SOURCE Solutions

-  Global Sourcing Solution
-  Obsolete Management
-  Cost Control Management
-  Shortage Management
-  Alternative Solution
-  Excess Inventory Management