



# NS3L500

## 3.3V, 8-Channel, 2:1 Gigabit Ethernet LAN Switch with LED Switch

The NS3L500 is a 8-channel 2:1 LAN switch with 3 additional built-in SPDT switches for LED routing. This switch is ideal for Gigabit LAN applications due to its low ON-state resistance and capacitance giving the switch a typical bandwidth of 800 MHz. The switch also has excellent ON-state resistance match, low bit-to-bit skew, and low crosstalk among channels. The switch is bidirectional and offers little or no attenuation of the high-speed signals at the outputs.

This part can be used to replace mechanical relays in low-voltage LAN applications that interface a physical layer over CAT 5 or CAT 6 unshielded twisted pair cable through an isolation transformer. The NS3L500 is available in a 56-pin WQFN package and operates over the extended  $-40^{\circ}\text{C}$  to  $+85^{\circ}\text{C}$  temperature range.

### Features

- $V_{CC}$  Operating Range: +3.0 V to +3.6 V
- Low ON-State Resistance ( $R_{ON} = 4 \Omega$  Typical)
- Low ON-State Capacitance ( $C_{ON} = 7 \text{ pF}$  Typical)
- Flat ON-State Resistance ( $R_{ON(\text{flat})} = 0.5 \Omega$  Typical)
- Wide Bandwidth (800 MHz Typical)
- Low Crosstalk ( $X_{TALK} = -37 \text{ dB}$  Typical)
- Near-Zero Propagation Delay: 250 ps
- Low Bit-to-Bit Skew ( $t_{sk(o)} = 100 \text{ ps Max}$ )
- Three SPDT Channels for LED Signal Switching
- Packaging: 56-Pin WQFN
- Pin-to-Pin Compatible with PI3L500-A, TS3L500AE and MAX4927
- These Devices are Pb-Free, Halogen Free/BFR Free and are RoHS Compliant

### Typical Applications

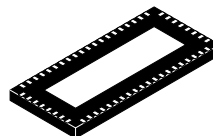
- 10/100/1000 Base-T Ethernet Signal Switching
- Notebooks and Docking Stations
- Hub and Router Signal Switching
- Differential (LVDS, LVPECL) Signal Switching



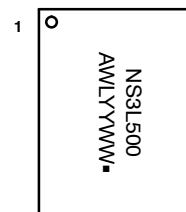
ON Semiconductor®

<http://onsemi.com>

### MARKING DIAGRAMS



WQFN56  
MT SUFFIX  
CASE 510AK



- A = Assembly Location
- WL = Wafer Lot
- YY = Year
- WW = Work Week
- = Pb-Free Package

### ORDERING INFORMATION

See detailed ordering and shipping information in the package dimensions section on page 9 of this data sheet.

# NS3L500

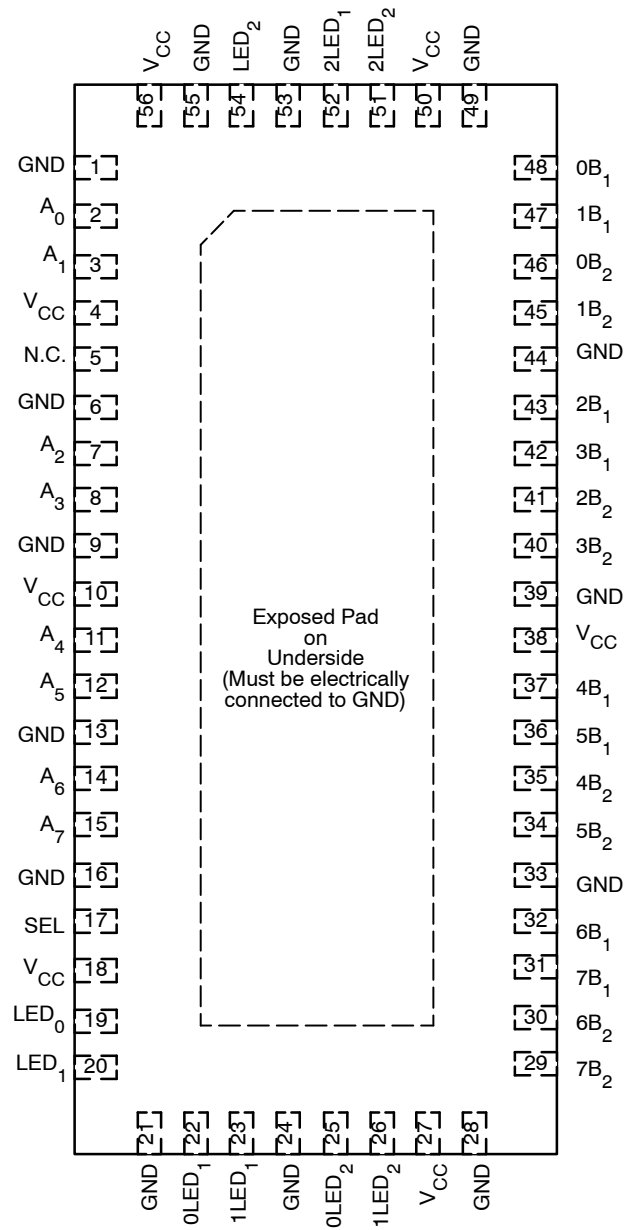


Figure 1. Pinout (Top View)

# NS3L500

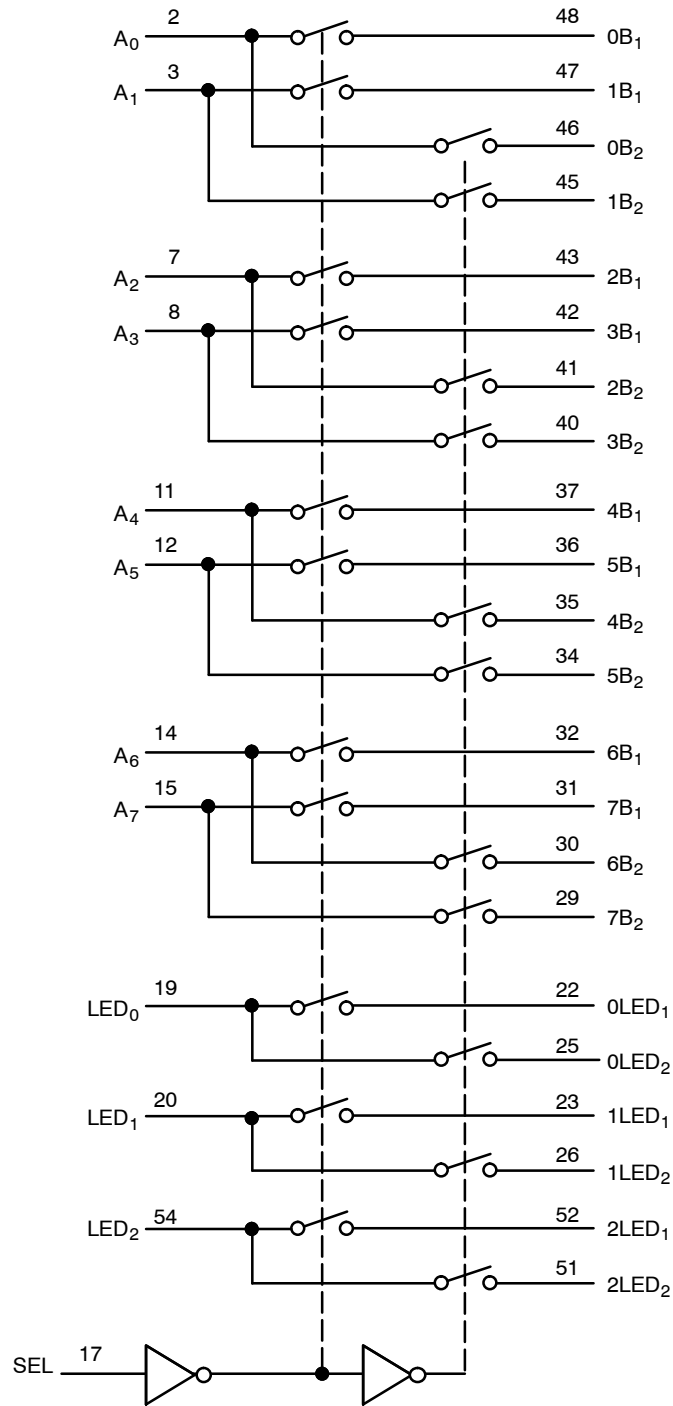


Figure 2. Block Diagram

## PIN DESCRIPTION

| Pin Name | Description  |
|----------|--------------|
| $A_x$    | Data I/Os    |
| $xB_y$   | Data I/Os    |
| SEL      | Select Input |
| $LED_x$  | LED I/O Port |
| $xLED_y$ | LED I/O Port |

## TRUTH TABLE

| SEL | Function                              |
|-----|---------------------------------------|
| L   | $A_x$ to $xB_1$ : $LED_x$ to $xLED_1$ |
| H   | $A_x$ to $xB_2$ : $LED_x$ to $xLED_2$ |

# NS3L500

## MAXIMUM RATINGS

| Symbol           | Pins  | Parameter                           | Value                        | Unit |
|------------------|---|-------------------------------------|------------------------------|------|
| V <sub>CC</sub>  | V <sub>CC</sub>   | Positive DC Supply Voltage          | -0.5 to +5.5                 | V    |
| V <sub>IN</sub>  | SEL   | Control Input Voltage               | -0.5 to +5.5                 | V    |
| V <sub>I/O</sub> | A <sub>X</sub> , xB <sub>Y</sub> ,<br>LED <sub>X</sub> ,<br>xLED <sub>Y</sub> | Switch I/O Voltage Range            | -0.5 to V <sub>CC</sub> +0.5 | V    |
| I <sub>CC</sub>  | V <sub>CC</sub>   | DC Output Current                   | ± 120                        | mA   |
| I <sub>IK</sub>  | SEL   | Control Input Clamp Current         | -50                          | mA   |
| I <sub>I/O</sub> | A <sub>X</sub> , xB <sub>Y</sub> ,<br>LED <sub>X</sub> ,<br>xLED <sub>Y</sub> | ON-State Switch Current             | ± 120                        | mA   |
| R <sub>θJA</sub> |   | Thermal Resistance, Junction-to-Air | 125                          | °C/W |
| T <sub>S</sub>   |   | Storage Temperature                 | -65 to +150                  | °C   |

Stresses exceeding Maximum Ratings may damage the device. Maximum Ratings are stress ratings only. Functional operation above the Recommended Operating Conditions is not implied. Extended exposure to stresses above the Recommended Operating Conditions may affect device reliability.

## RECOMMENDED OPERATING CONDITIONS

| Symbol           | Pins  | Parameter                  | Value                | Unit |
|------------------|---|----------------------------|----------------------|------|
| V <sub>CC</sub>  | V <sub>CC</sub>   | Positive DC Supply Voltage | +3.0 to +3.6         | V    |
| V <sub>IN</sub>  | SEL   | Control Input Voltage      | 0 to +5.5            | V    |
| V <sub>I/O</sub> | A <sub>X</sub> , xB <sub>Y</sub> ,<br>LED <sub>X</sub> ,<br>xLED <sub>Y</sub> | Switch I/O Voltage Range   | 0 to V <sub>CC</sub> | V    |
| T <sub>A</sub>   |   | Operating Temperature      | -40 to +85           | °C   |

Minimum and maximum values are guaranteed through test or design across the Recommended Operating Conditions, where applicable. Typical values are listed for guidance only and are based on the particular conditions listed for section, where applicable. These conditions are valid for all values found in the characteristics tables unless otherwise specified in the test conditions.

# NS3L500

## DC ELECTRICAL CHARACTERISTICS (Typical: T = 25°C, V<sub>CC</sub> = 3.3 V)

| Symbol                                | Pins                             | Parameters                               | Conditions   | -40°C to +85°C |      |      | Unit |
|---------------------------------------|----------------------------------|--|--|----------------|------|------|------|
|                                       |                                  |  |  | Min            | Typ  | Max  |      |
| <b>1000 BASE-T ETHERNET SWITCHING</b> |                                  |  |  |                |      |      |      |
| V <sub>IH</sub>                       | SEL                              | Control Input HIGH Voltage               |  | 2              |      | 5.5  | V    |
| V <sub>IL</sub>                       | SEL                              | Control Input LOW Voltage                |  | -0.5           |      | 0.8  | V    |
| V <sub>IK</sub>                       | SEL                              | Clamp Diode Voltage                      | V <sub>CC</sub> = Max, I <sub>IN</sub> = -18 mA  |                | -0.7 | -1.2 | V    |
| I <sub>IH</sub>                       | SEL                              | Input HIGH Current                       | V <sub>CC</sub> = Max, V <sub>IN</sub> = V <sub>CC</sub>   | -1             |      | +1   | μA   |
| I <sub>IL</sub>                       | SEL                              | Input LOW Current                        | V <sub>CC</sub> = Max, V <sub>IN</sub> = GND   | -1             |      | +1   | μA   |
| I <sub>OFF</sub>                      | SEL                              | Off-Leakage Current                      | V <sub>CC</sub> = 0 V, V <sub>IN</sub> = 0 V to 3.6 V  |                |      | ±1.5 | μA   |
| I <sub>CC</sub>                       | V <sub>CC</sub>                  | Quiescent Supply Current                 | V <sub>CC</sub> = 3.6 V, V <sub>IN</sub> = V <sub>CC</sub> or GND, I <sub>O</sub> = 0 mA   |                | 250  | 600  | μA   |
| I <sub>LA(OFF)</sub>                  | A <sub>X</sub> , xB <sub>Y</sub> | Off-Leakage Current                      | V <sub>CC</sub> = 3.6 V, V <sub>A<sub>X</sub></sub> = 0.3 V, 3.3 V; V <sub>x<sub>B</sub>1</sub> or V <sub>x<sub>B</sub>2</sub> = 3.3 V, 0.3 V              | -1             |      | +1   | μA   |
| I <sub>LA(ON)</sub>                   | A <sub>X</sub> , xB <sub>Y</sub> | On-Leakage Current                       | V <sub>CC</sub> = 3.6 V, V <sub>A<sub>X</sub></sub> = 0.3 V, 3.3 V; V <sub>x<sub>B</sub>1</sub> or V <sub>x<sub>B</sub>2</sub> = 0.3 V, 3.3 V, or floating | -1             |      | +1   | μA   |
| R <sub>ON</sub>                       | A <sub>X</sub> , xB <sub>Y</sub> | On-Resistance                            | V <sub>CC</sub> = 3 V, 1.5 V ≤ V <sub>IN</sub> ≤ V <sub>CC</sub> , I <sub>O</sub> = -40 mA   |                | 4    | 7    | Ω    |
| R <sub>ON(FLAT)</sub>                 | A <sub>X</sub> , xB <sub>Y</sub> | On-Resistance Flatness                   | V <sub>CC</sub> = 3 V, V <sub>IN</sub> = 1.5 V and V <sub>CC</sub> , I <sub>O</sub> = -40 mA   |                | 0.5  |      | Ω    |
| ΔR <sub>ON</sub>                      | A <sub>X</sub> , xB <sub>Y</sub> | On-Resistance Match Between Switch Pairs | V <sub>CC</sub> = 3 V, 1.5 V ≤ V <sub>IN</sub> ≤ V <sub>CC</sub> , I <sub>O</sub> = -40 mA   |                | 0.4  | 1    | Ω    |

## 10/100 BASE-T ETHERNET SWITCHING

|                       |                                  |  |  |      |      |      |    |
|-----------------------|----------------------------------|--|--|------|------|------|----|
| V <sub>IH</sub>       | SEL                              | Control Input HIGH Voltage               |  | 2    |      | 5.5  | V  |
| V <sub>IL</sub>       | SEL                              | Control Input LOW Voltage                |  | -0.5 |      | 0.8  | V  |
| V <sub>IK</sub>       | SEL                              | Clamp Diode Voltage                      | V <sub>CC</sub> = Max, I <sub>IN</sub> = -18 mA  |      | -0.7 | -1.2 | V  |
| I <sub>IH</sub>       | SEL                              | Input HIGH Current                       | V <sub>CC</sub> = Max, V <sub>IN</sub> = V <sub>CC</sub>   | -1   |      | +1   | μA |
| I <sub>IL</sub>       | SEL                              | Input LOW Current                        | V <sub>CC</sub> = Max, V <sub>IN</sub> = GND   | -1   |      | +1   | μA |
| I <sub>OFF</sub>      | SEL                              | Off-Leakage Current                      | V <sub>CC</sub> = 0 V, V <sub>IN</sub> = 0 V to 3.6 V  |      |      | ±1.5 | μA |
| I <sub>CC</sub>       | V <sub>CC</sub>                  | Quiescent Supply Current                 | V <sub>CC</sub> = 3.6 V, V <sub>IN</sub> = V <sub>CC</sub> or GND, I <sub>O</sub> = 0 mA   |      | 250  | 600  | μA |
| I <sub>LA(OFF)</sub>  | A <sub>X</sub> , xB <sub>Y</sub> | Off-Leakage Current                      | V <sub>CC</sub> = 3.6 V, V <sub>A<sub>X</sub></sub> = 0.3 V, 3.3 V; V <sub>x<sub>B</sub>1</sub> or V <sub>x<sub>B</sub>2</sub> = 3.3 V, 0.3 V              | -1   |      | +1   | μA |
| I <sub>LA(ON)</sub>   | A <sub>X</sub> , xB <sub>Y</sub> | On-Leakage Current                       | V <sub>CC</sub> = 3.6 V, V <sub>A<sub>X</sub></sub> = 0.3 V, 3.3 V; V <sub>x<sub>B</sub>1</sub> or V <sub>x<sub>B</sub>2</sub> = 0.3 V, 3.3 V, or floating | -1   |      | +1   | μA |
| R <sub>ON</sub>       | A <sub>X</sub> , xB <sub>Y</sub> | On-Resistance                            | V <sub>CC</sub> = 3 V, 1.25 V ≤ V <sub>IN</sub> ≤ V <sub>CC</sub> , I <sub>O</sub> = -10 mA to -30 mA  |      | 4    | 6    | Ω  |
| R <sub>ON(FLAT)</sub> | A <sub>X</sub> , xB <sub>Y</sub> | On-Resistance Flatness                   | V <sub>CC</sub> = 3 V, V <sub>IN</sub> = 1.25 V and V <sub>CC</sub> , I <sub>O</sub> = -10 mA to -30 mA  |      | 0.5  |      | Ω  |
| ΔR <sub>ON</sub>      | A <sub>X</sub> , xB <sub>Y</sub> | On-Resistance Match Between Switch Pairs | V <sub>CC</sub> = 3 V, 1.25 V ≤ V <sub>IN</sub> ≤ V <sub>CC</sub> , I <sub>O</sub> = -10 mA to -30 mA  |      | 0.4  | 1    | Ω  |

# NS3L500

## DC ELECTRICAL CHARACTERISTICS (Typical: T = 25°C, V<sub>CC</sub> = 3.3 V)

| Symbol                | Pins                                 | Parameters                               | Conditions  | -40°C to +85°C |     |     | Unit |
|-----------------------|--------------------------------------|--|---|----------------|-----|-----|------|
|                       |                                      |  |   | Min            | Typ | Max |      |
| <b>LED SWITCHING</b>  |                                      |  |   |                |     |     |      |
| R <sub>ON</sub>       | LED <sub>X</sub> , xLED <sub>Y</sub> | On-Resistance                            | V <sub>CC</sub> = 3 V, 1.25 V ≤ V <sub>IN</sub> ≤ V <sub>CC</sub> , I <sub>O</sub> = -40 mA   |                | 15  | 25  | Ω    |
| R <sub>ON(FLAT)</sub> | LED <sub>X</sub> , xLED <sub>Y</sub> | On-Resistance Flatness                   | V <sub>CC</sub> = 3 V, V <sub>IN</sub> = 1.25 V and V <sub>CC</sub> , I <sub>O</sub> = -40 mA |                | 8   |     | Ω    |
| ΔR <sub>ON</sub>      | LED <sub>X</sub> , xLED <sub>Y</sub> | On-Resistance Match Between Switch Pairs | V <sub>CC</sub> = 3 V, 1.25 V ≤ V <sub>IN</sub> ≤ V <sub>CC</sub> , I <sub>O</sub> = -40 mA   |                | 1   | 2   | Ω    |

## AC ELECTRICAL CHARACTERISTICS (Typicals: T = 25°C, V<sub>CC</sub> = 3.3 V)\*

| Symbol                              | Pins                             | Parameters   | Conditions   | -40°C to +85°C |      |     | Unit |
|-------------------------------------|----------------------------------|--|--|----------------|------|-----|------|
|                                     |                                  |  |  | Min            | Typ  | Max |      |
| <b>SWITCHING CHARACTERISTICS</b>    |                                  |  |  |                |      |     |      |
| t <sub>PLH</sub> , t <sub>PHL</sub> | A <sub>X</sub> , xB <sub>Y</sub> | Propagation Delay  | V <sub>CC</sub> = 3.0 V to 3.6 V (Figure 3)                        |                | 0.25 |     | ns   |
| t <sub>ON</sub>                     | SEL, xLED <sub>Y</sub>           | Line Enable Time – SEL to xLED <sub>Y</sub>  | Output: Closed to Open V <sub>CC</sub> = 3.0 V to 3.6 V (Figure 4) | 0.5            |      | 15  | ns   |
|                                     | SEL, xB <sub>Y</sub>             | Lines Enable Time – SEL to xB <sub>Y</sub>   |  | 0.5            |      | 3   | μs   |
| t <sub>OFF</sub>                    | SEL, xLED <sub>Y</sub>           | Line Enable Time – SEL to xLED <sub>Y</sub>  | Output: Open to Closed V <sub>CC</sub> = 3.0 V to 3.6 V (Figure 4) | 0.5            |      | 9   | ns   |
|                                     | SEL, xB <sub>Y</sub>             | Lines Enable Time – SEL to xB <sub>Y</sub>   |  | 0.5            |      | 35  | ns   |
| t <sub>SK(O)</sub>                  | A <sub>X</sub> , xB <sub>Y</sub> | Output Skew between center port to any other port  | V <sub>CC</sub> = 3.0 V to 3.6 V (Calculated, Figure 3)            |                | 50   | 100 | ps   |
| t <sub>SK(P)</sub>                  | A <sub>X</sub> , xB <sub>Y</sub> | Skew between opposite transition of the same output (t <sub>PHL</sub> – t <sub>PLH</sub> ) | V <sub>CC</sub> = 3.0 V to 3.6 V (Calculated, Figure 3)            |                | 50   | 100 | ps   |

## DYNAMIC ELECTRICAL CHARACTERISTICS

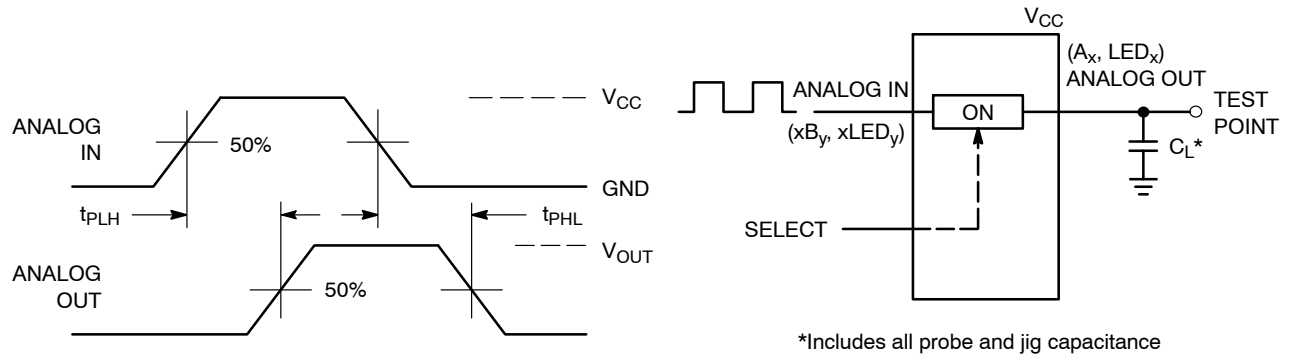
|                   |  |                 |  |  |     |  |     |
|-------------------|--|-----------------|--|--|-----|--|-----|
| BW                | xB <sub>Y</sub> , xLED <sub>Y</sub>  | -3 dB Bandwidth | R <sub>L</sub> = 100 Ω (Figure 5)              |  | 800 |  | MHz |
| O <sub>IRR</sub>  | A <sub>X</sub> , LED <sub>X</sub>  | Off – Isolation | R <sub>L</sub> = 100 Ω, f = 250 MHz (Figure 6) |  | -37 |  | dB  |
| X <sub>TALK</sub> | A <sub>X</sub> to xB <sub>Y</sub><br>A <sub>(X+2)</sub> to (X+2)B <sub>Y</sub> | Crosstalk       | R <sub>L</sub> = 100 Ω, f = 250 MHz (Figure 7) |  | -37 |  | dB  |

## CAPACITANCE

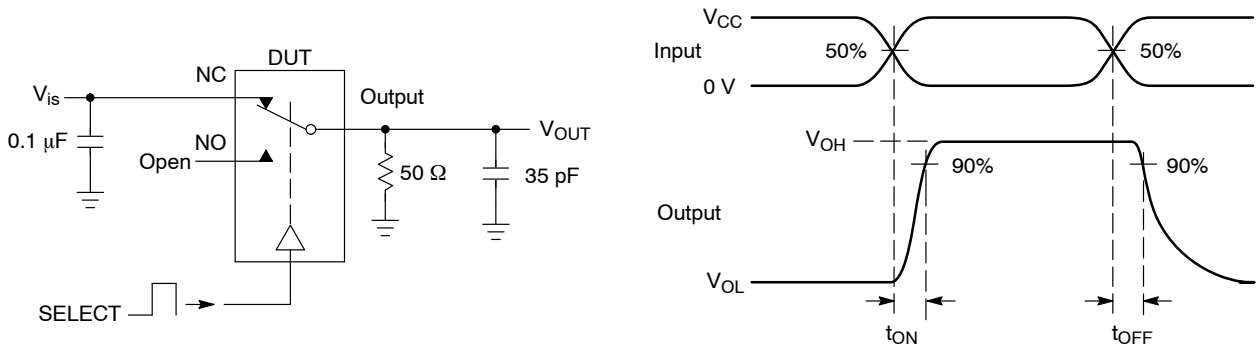
|                  |                                  |                               |  |  |   |    |    |
|------------------|----------------------------------|-------------------------------|--|--|---|----|----|
| C <sub>IN</sub>  | SEL                              | Control Pin Input Capacitance | V <sub>IN</sub> = 0 V, f = 1 MHz                           |  | 2 | 3  | pF |
| C <sub>ON</sub>  | A <sub>X</sub> , xB <sub>Y</sub> | ON Capacitance                | V <sub>IN</sub> = 0 V, f = 1 MHz, Outputs Open, Switch ON  |  | 7 | 10 | pF |
| C <sub>OFF</sub> | xB <sub>Y</sub>                  | B Port Switch Capacitance     | V <sub>IN</sub> = 0 V, f = 1 MHz, Outputs Open, Switch OFF |  | 5 | 6  | pF |

\*Guaranteed by design and/or characterization.

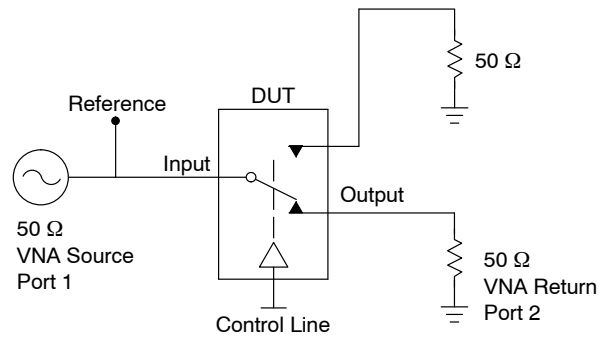
# NS3L500



**Figure 3. Propagation Delay**

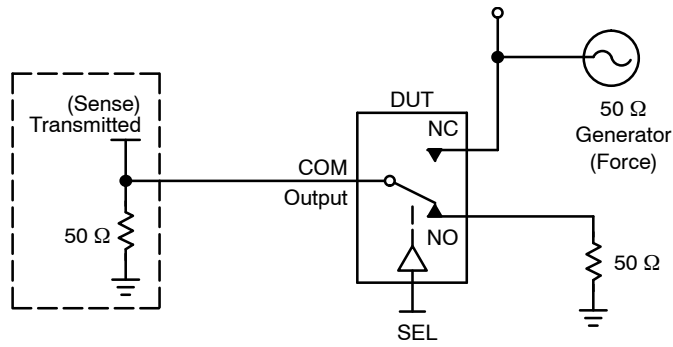


**Figure 4.  $t_{ON}/t_{OFF}$**

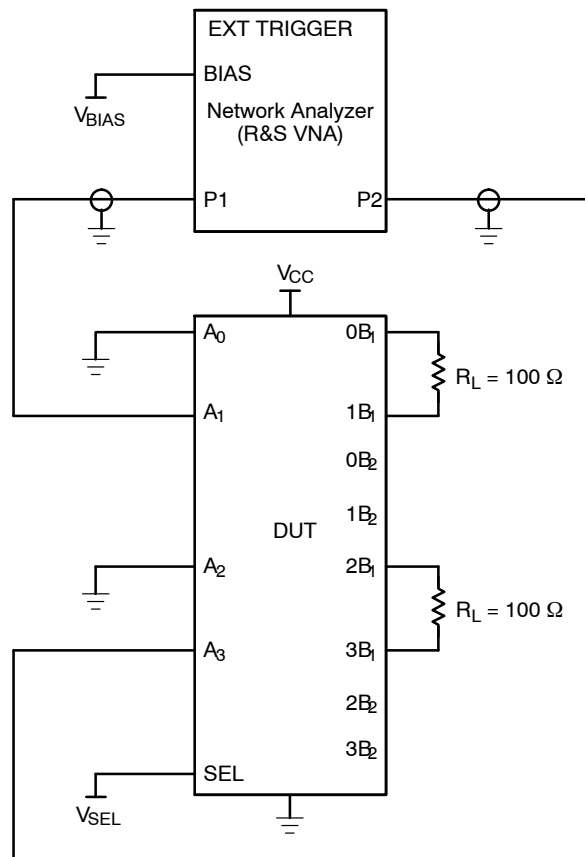


**Figure 5. Bandwidth**

## NS3L500



**Figure 6. Off-Isolation**



1.  $C_L$  includes probe and jig capacitance.
2. A  $50\ \Omega$  termination resistor is needed to match the loading of the network analyzer.

**Figure 7. Test Circuit for Crosstalk ( $X_{TALK}$ )**

Crosstalk is measured at the output of the nonadjacent ON channel. For example, when  $V_{SEL} = 0$  and  $A_0$  is the input, the output is measured at  $1B_1$ . All unused analog input (A) ports are connected to GND, and output (B) ports are connected to GND through  $50\ \Omega$  pull-down resistors.

# NS3L500

## APPLICATION INFORMATION

### Logic Inputs

The logic control inputs can be driven up to +3.6 V regardless of the supply voltage. For example, given a +3.3 V supply, the output enables or select pins may be driven low to 0 V and high to 3.6 V. Driving IN Rail-to-Rail® minimizes power consumption.

### Power-Supply Sequencing

Proper power-supply sequencing is advised for all CMOS devices. It is recommended to always apply  $V_{CC}$  before applying signals to the input/output or control pins.

## ORDERING INFORMATION

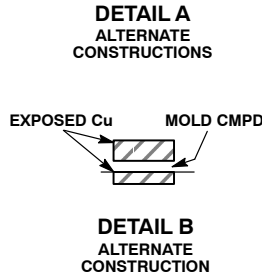
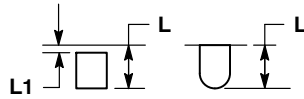
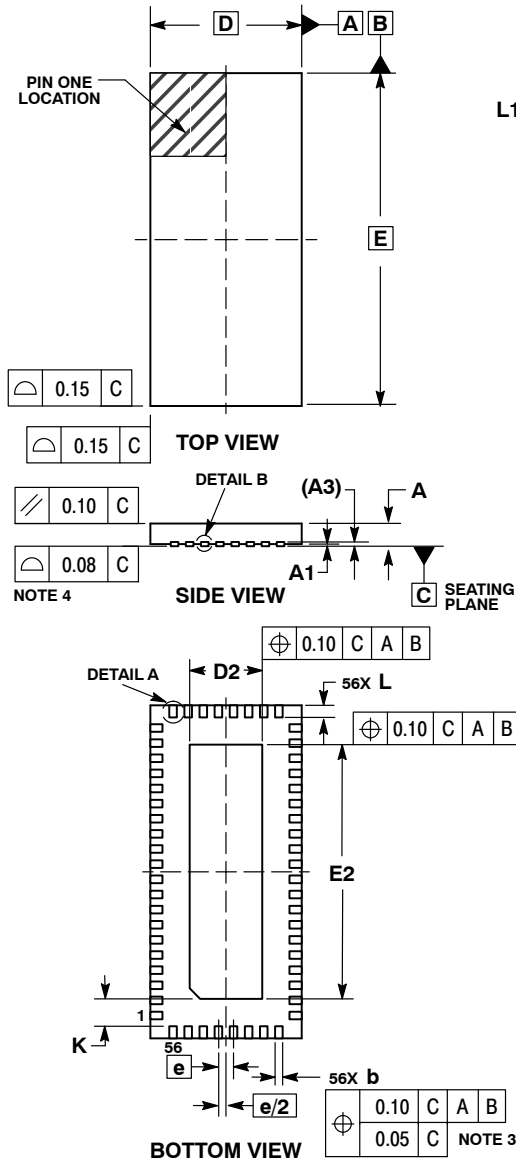
| Device       | Package             | Shipping†          |
|--------------|---------------------|--------------------|
| NS3L500MTTWG | WQFN56<br>(Pb-free) | 2000 / Tape & Reel |

†For information on tape and reel specifications, including part orientation and tape sizes, please refer to our Tape and Reel Packaging Specifications Brochure, BRD8011/D.

# NS3L500

## PACKAGE DIMENSIONS

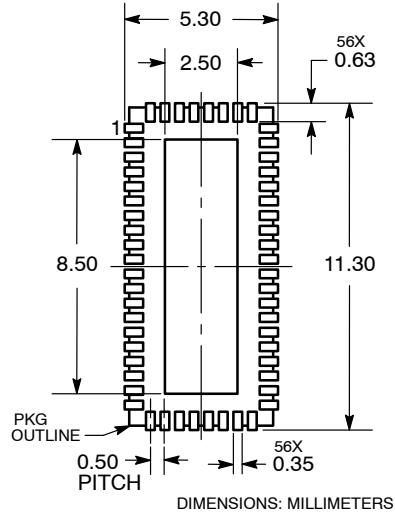
WQFN56 5x11, 0.5P  
CASE 510AK-01  
ISSUE A



- NOTES:
- DIMENSIONING AND TOLERANCING PER ASME Y14.5M, 1994.
  - CONTROLLING DIMENSIONS: MILLIMETERS.
  - DIMENSION b APPLIES TO PLATED TERMINAL AND IS MEASURED BETWEEN 0.15 AND 0.30mm FROM THE TERMINAL TIP.
  - COPLANARITY APPLIES TO THE EXPOSED PAD AS WELL AS THE TERMINALS.

| DIM | MILLIMETERS |      |
|-----|-------------|------|
|     | MIN         | MAX  |
| A   | 0.70        | 0.80 |
| A1  | ---         | 0.05 |
| A3  | 0.20 REF    |      |
| b   | 0.20        | 0.30 |
| D   | 5.00 BSC    |      |
| D2  | 2.30        | 2.50 |
| E   | 11.00 BSC   |      |
| E2  | 8.30        | 8.50 |
| e   | 0.50 BSC    |      |
| K   | 0.20 MIN    |      |
| L   | 0.30        | 0.50 |
| L1  | ---         | 0.15 |

### RECOMMENDED SOLDERING FOOTPRINT\*



\*For additional information on our Pb-Free strategy and soldering details, please download the ON Semiconductor Soldering and Mounting Techniques Reference Manual, SOLDERRM/D.

Rail-to-Rail is a registered trademark of Nippon Motorola, Ltd.

ON Semiconductor and are registered trademarks of Semiconductor Components Industries, LLC (SCILLC). SCILLC reserves the right to make changes without further notice to any products herein. SCILLC makes no warranty, representation or guarantee regarding the suitability of its products for any particular purpose, nor does SCILLC assume any liability arising out of the application or use of any product or circuit, and specifically disclaims any and all liability, including without limitation special, consequential or incidental damages. "Typical" parameters which may be provided in SCILLC data sheets and/or specifications can and do vary in different applications and actual performance may vary over time. All operating parameters, including "Typicals" must be validated for each customer application by customer's technical experts. SCILLC does not convey any license under its patent rights nor the rights of others. SCILLC products are not designed, intended, or authorized for use as components in systems intended for surgical implant into the body, or other applications intended to support or sustain life, or for any other application in which the failure of the SCILLC product could create a situation where personal injury or death may occur. Should Buyer purchase or use SCILLC products for any such unintended or unauthorized application, Buyer shall indemnify and hold SCILLC and its officers, employees, subsidiaries, affiliates, and distributors harmless against all claims, costs, damages, and expenses, and reasonable attorney fees arising out of, directly or indirectly, any claim of personal injury or death associated with such unintended or unauthorized use, even if such claim alleges that SCILLC was negligent regarding the design or manufacture of the part. SCILLC is an Equal Opportunity/Affirmative Action Employer. This literature is subject to all applicable copyright laws and is not for resale in any manner.

### PUBLICATION ORDERING INFORMATION

**LITERATURE FULFILLMENT:**  
Literature Distribution Center for ON Semiconductor  
P.O. Box 5163, Denver, Colorado 80217 USA  
Phone: 303-675-2175 or 800-344-3860 Toll Free USA/Canada  
Fax: 303-675-2176 or 800-344-3867 Toll Free USA/Canada  
Email: orderlit@onsemi.com

**N. American Technical Support:** 800-282-9855 Toll Free  
USA/Canada  
**Europe, Middle East and Africa Technical Support:**  
Phone: 421 33 790 2910  
**Japan Customer Focus Center**  
Phone: 81-3-5773-3850

**ON Semiconductor Website:** [www.onsemi.com](http://www.onsemi.com)  
**Order Literature:** <http://www.onsemi.com/orderlit>  
For additional information, please contact your local Sales Representative

## Looking for pricing, stock, or lifecycle information?

Click below to explore more details on WIN SOURCE:

- ⊖ [View NS3L500MTTWG](#) on WIN SOURCE
- ⊖ [ON Semiconductor](#) Information

## Optimize Your Supply Chain with WIN SOURCE Solutions

- ✓ Global Sourcing Solution
- ✓ Obsolete Management
- ✓ Cost Control Management
- ✓ Shortage Management
- ✓ Alternative Solution
- ✓ Excess Inventory Management