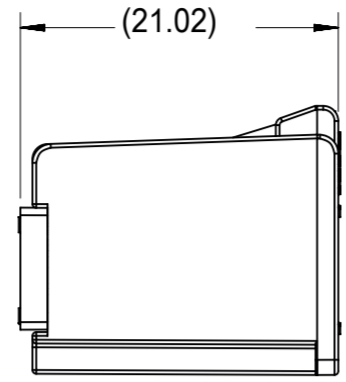
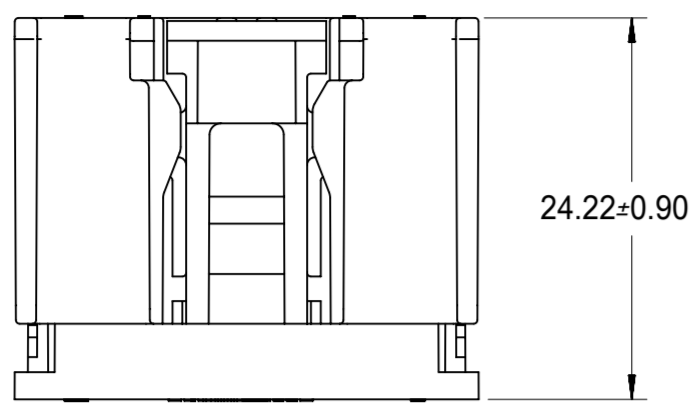


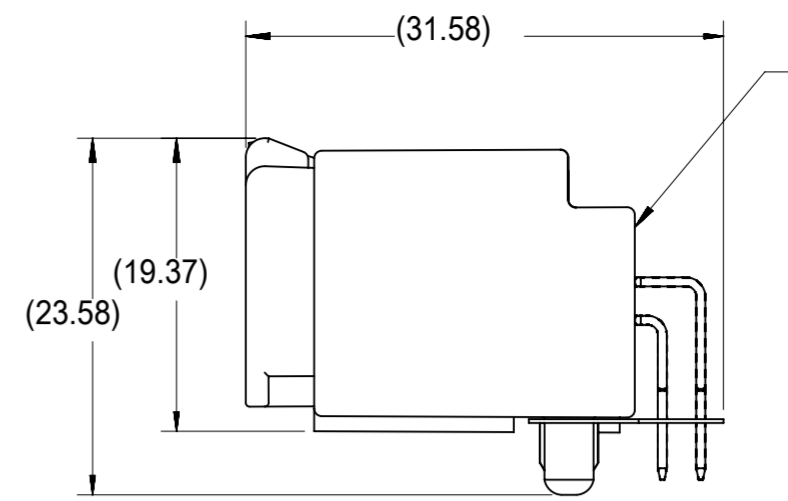


THE DATASHEET OF
30700-1120





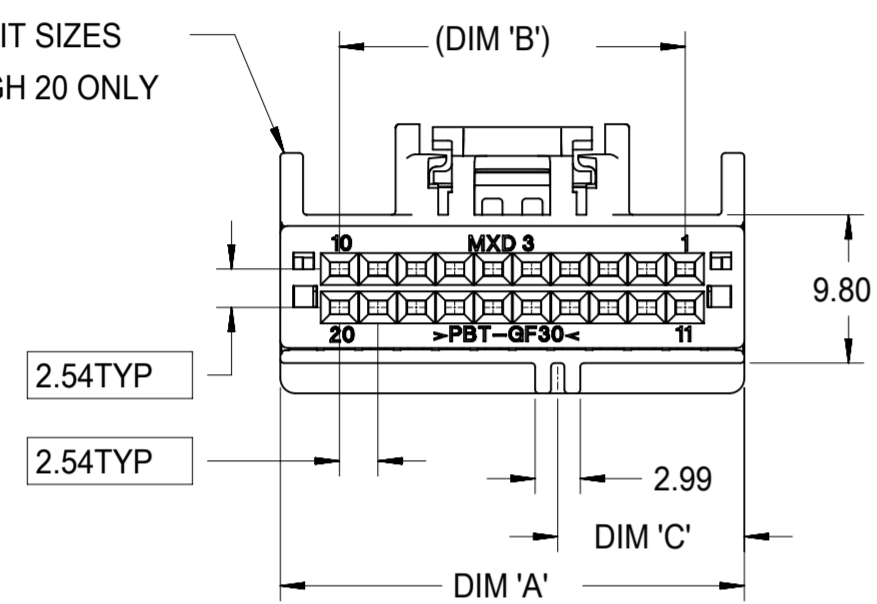
TPA SHOWN IN FULLY SEATED POSITION



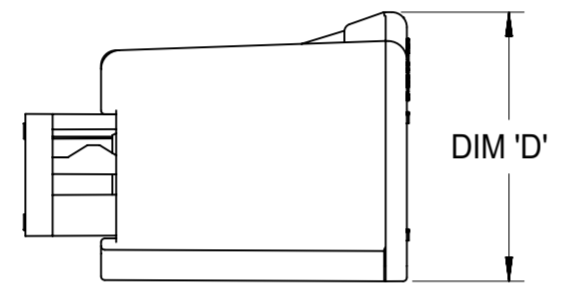
RIGHT ANGLE HEADER ASSEMBLY. SEE SALES DRAWING SD-30700-520.

MATED VIEW

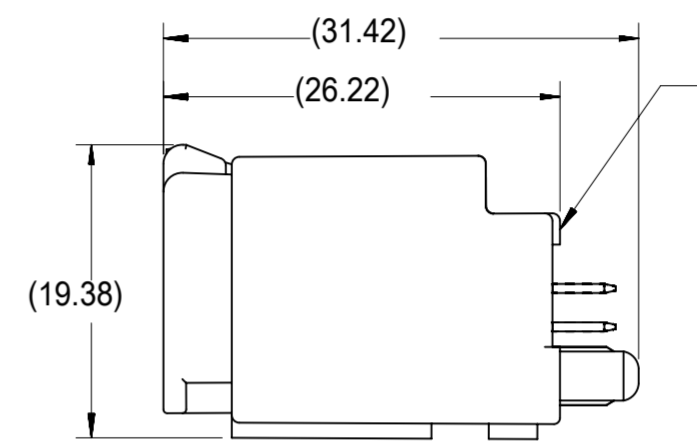
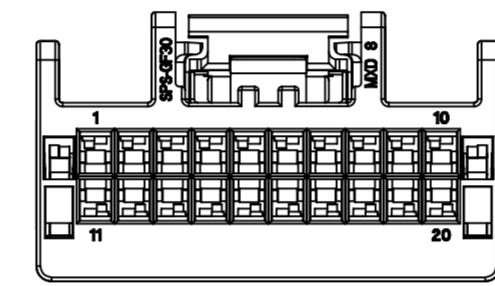
SCOOP PROOF RIBS FOR CIRCUIT SIZES 14 THROUGH 20 ONLY



20 CIRCUIT HARNESS ASSEMBLY SHOWN

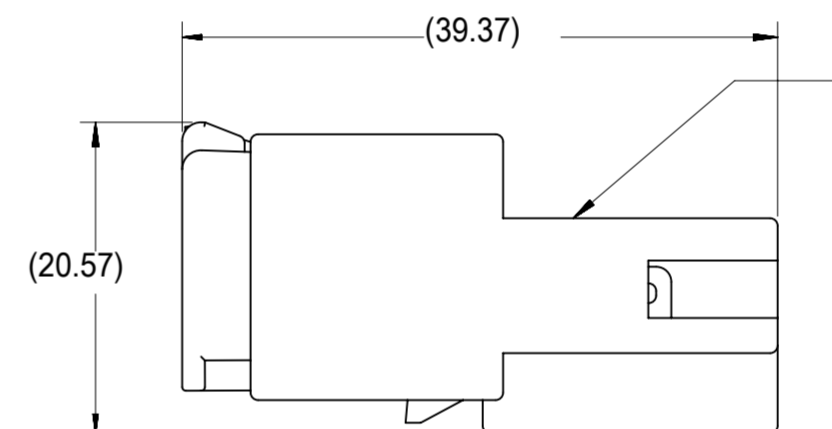


WITH TPA IN PRE-LOAD (AS SHIPPED)



VERTICAL HEADER ASSEMBLY. SEE SALES DRAWING SD-30700-420.

MATED VIEW



MALE INLINE HARNESS ASSEMBLY. SEE SALES DRAWING SD-30968-120.

MATED VIEW

NOTES:

1. MATERIAL: HOUSING: SPS, GLASS FILLED, COLOR: SEE CHART.
TPA: PBT, GLASS FILLED, COLOR: RED.
2. PRODUCT SPECIFICATION: PS-30700-0001
3. PACKAGING SPECIFICATION: PK-30907-417
4. MATES WITH: SERIES 30700 & 30968, SEE SALES DRAWINGS SD-30700-520, SD-30700-420 & SD-30968-120.

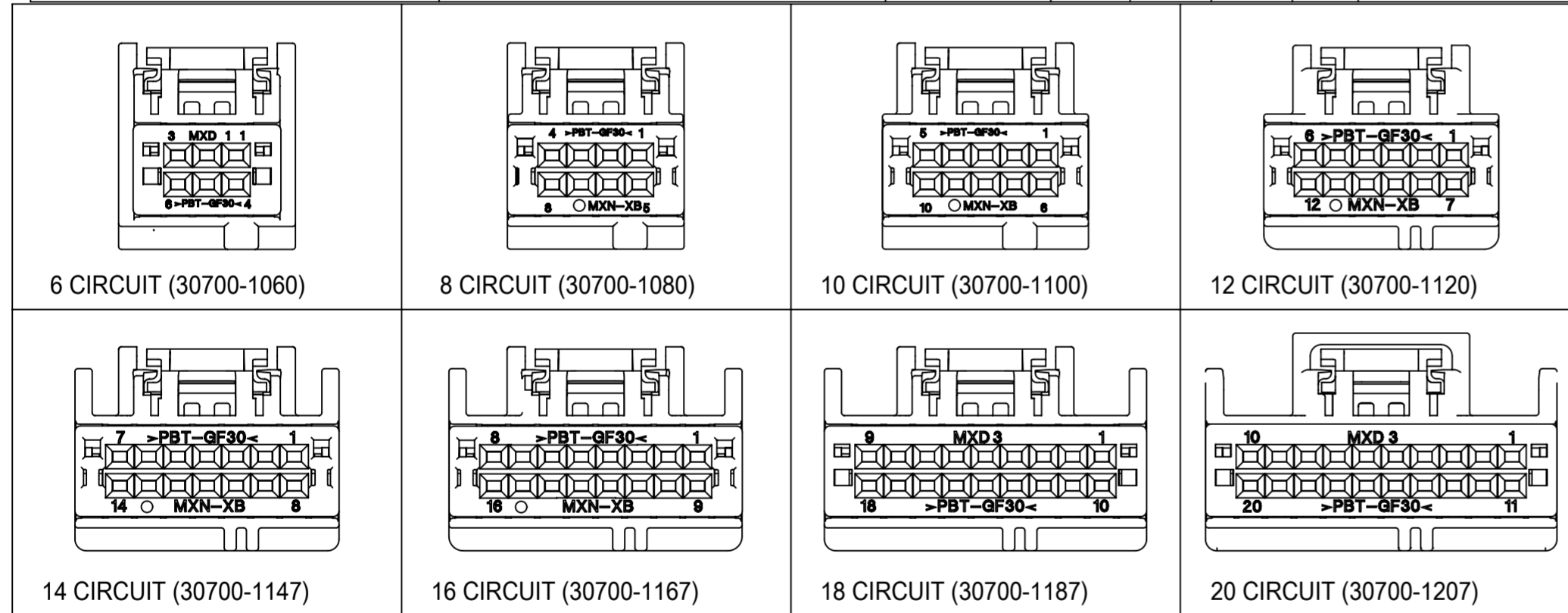
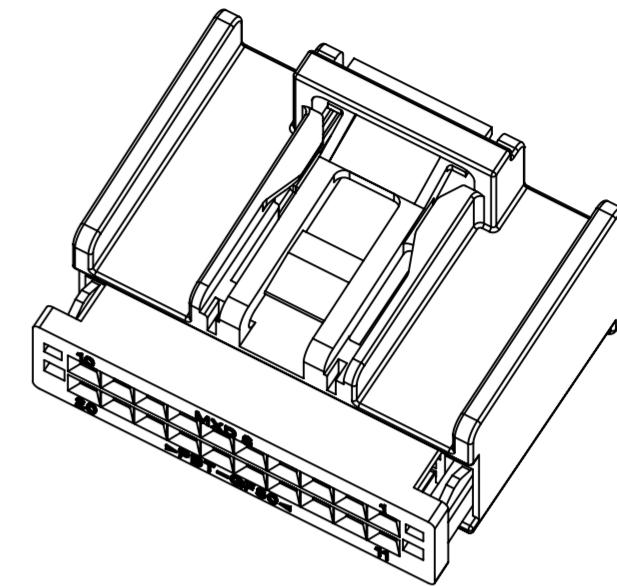
SYMBOLS	THIS DRAWING CONTAINS INFORMATION THAT IS PROPRIETARY TO MOLEX ELECTRONIC TECHNOLOGIES, LLC AND SHOULD NOT BE USED WITHOUT WRITTEN PERMISSION			
	DIMENSION UNITS	SCALE	CURRENT REV DESC:	
∅ = 0	mm	2:1	EC NO: 601850	
∇ = 0	GENERAL TOLERANCES (UNLESS SPECIFIED)		DRWN: SHANDITHAVAL	2018/07/23
∇ = 0	ANGULAR TOL ± 0.5°		CHK'D: RBAUMAN	2018/07/24
S = 0	4 PLACES ±		APPR: RBAUMAN	2018/07/24
∇ = 0	3 PLACES ±		INITIAL REVISION:	
∇ = 0	2 PLACES ± 0.13		DRWN: RCARLSON	2001/03/23
∇ = 0	1 PLACE ± 0.25		APPR: LGEIB	2001/04/04
∇ = 0	0 PLACES ±		THIRD ANGLE PROJECTION	
∇ = 0	DRAFT WHERE APPLICABLE MUST REMAIN WITHIN DIMENSIONS		DRAWING	SERIES
			A2-SIZE	30700
DOCUMENT STATUS		P1	RELEASE DATE	2018/07/24 20:32:40
DOCUMENT NUMBER		DOC TYPE	DOC PART	REVISION
SD-30700-120		PSD	001	J
MATERIAL NUMBER		CUSTOMER		SHEET NUMBER
		GENERAL MARKET		1 OF 3

molex

6-20 CIRCUIT HARNESS ASSEMBLY

PRODUCT CUSTOMER DRAWING

ASSEMBLY PART NUMBER	POLARIZATION OPTIONS & CIRCUIT SIZE		PRODUCT DIMENSIONS					PASS THRU HOLE DIA FOR HARNESS	MATING INTERFACE DIMENSIONS		
	WITHOUT BRIDGE	HARNESS ASSEMBLY (POLARIZATION OPTIONS)	CIRCUIT SIZE	A REF.	(B)	C	D		HOUSING COLOR	E	F
30700-1207		POLARIZATION OPTION #1	20	30.69	22.86	12.35	17.79	GRAY	36.5	12.57	31.14
30700-1208		POLARIZATION OPTION #2	20	30.69	22.86	15.35	17.79	BLACK	36.5	15.57	31.14
30700-1209		POLARIZATION OPTION #3	20	30.69	22.86	18.35	17.79	NATURAL (CREAM)	36.5	18.57	31.14
30700-1187		POLARIZATION OPTION #1	18	28.15	20.32	11.08	17.79	GRAY	34.0	11.31	28.60
30700-1188		POLARIZATION OPTION #2	18	28.15	20.32	14.08	17.79	BLACK	34.0	14.31	28.60
30700-1189		POLARIZATION OPTION #3	18	28.15	20.32	17.08	17.79	NATURAL (CREAM)	34.0	17.31	28.60
30700-1167		POLARIZATION OPTION #1	16	25.61	17.78	9.81	17.79	GRAY	32.0	10.04	26.06
30700-1168		POLARIZATION OPTION #2	16	25.61	17.78	12.81	17.79	BLACK	32.0	13.04	26.06
30700-1169		POLARIZATION OPTION #3	16	25.61	17.78	15.81	17.79	NATURAL (CREAM)	32.0	16.04	26.06
30700-1147		POLARIZATION OPTION #1	14	23.07	15.24	8.54	17.79	GRAY	30.0	8.77	23.52
30700-1148		POLARIZATION OPTION #2	14	23.07	15.24	11.54	17.79	BLACK	30.0	11.77	23.52
30700-1149		POLARIZATION OPTION #3	14	23.07	15.24	14.54	17.79	NATURAL (CREAM)	30.0	14.77	23.52
30700-1120		POLARIZATION OPTION #1	12	20.53	12.70	7.25	17.79	GRAY	27.5	7.50	20.98
30700-1121		POLARIZATION OPTION #2	12	20.53	12.70	10.27	17.79	BLACK	27.5	10.50	20.98
30700-1122		POLARIZATION OPTION #3	12	20.53	12.70	13.27	17.98	NATURAL (CREAM)	27.5	13.50	20.98
30700-1100		POLARIZATION OPTION #1	10	17.99	10.16	6.00	17.98	GRAY	26.4	6.23	18.44
30700-1101		POLARIZATION OPTION #2	10	17.99	10.16	9.00	17.98	BLACK	26.4	9.23	18.44
30700-1102		POLARIZATION OPTION #3	10	17.99	10.16	12.00	17.98	NATURAL (CREAM)	26.4	12.23	18.44
30700-1080		POLARIZATION OPTION #1	8	15.45	7.62	4.73	17.98	GRAY	25.5	4.96	15.90
30700-1081		POLARIZATION OPTION #2	8	15.45	7.62	7.73	17.98	BLACK	25.5	7.96	15.90
30700-1082		POLARIZATION OPTION #3	8	15.45	7.62	10.73	17.98	NATURAL (CREAM)	25.5	10.96	15.90
30700-1060		POLARIZATION OPTION #1	6	15.44	5.08	3.46	17.98	GRAY	25.5	3.69	13.36
30700-1061		POLARIZATION OPTION #2	6	15.44	5.08	6.46	17.98	BLACK	25.5	6.69	13.36
30700-1062		POLARIZATION OPTION #3	6	15.44	5.08	9.46	17.98	NATURAL (CREAM)	25.5	9.69	13.36

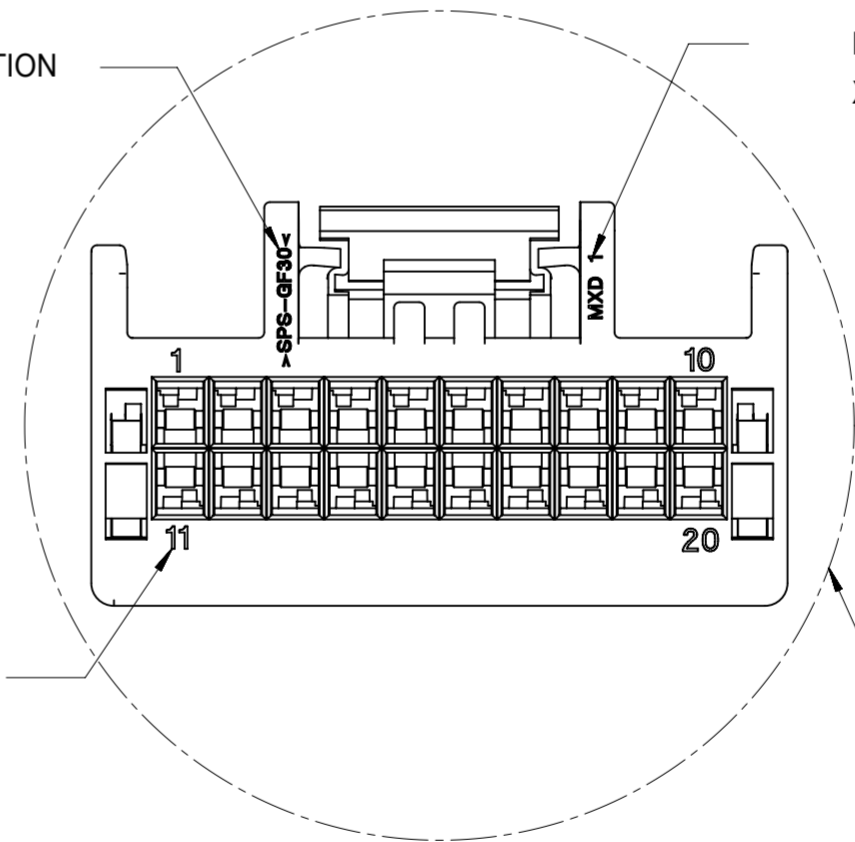


MATERIAL IDENTIFICATION SYMBOL

MX - VENDOR IDENTIFICATION (MOLEX)
X - MANUFACTURING LOCATION
('N' FOR LINCOLN, 'D' FOR AUBURN HILLS)

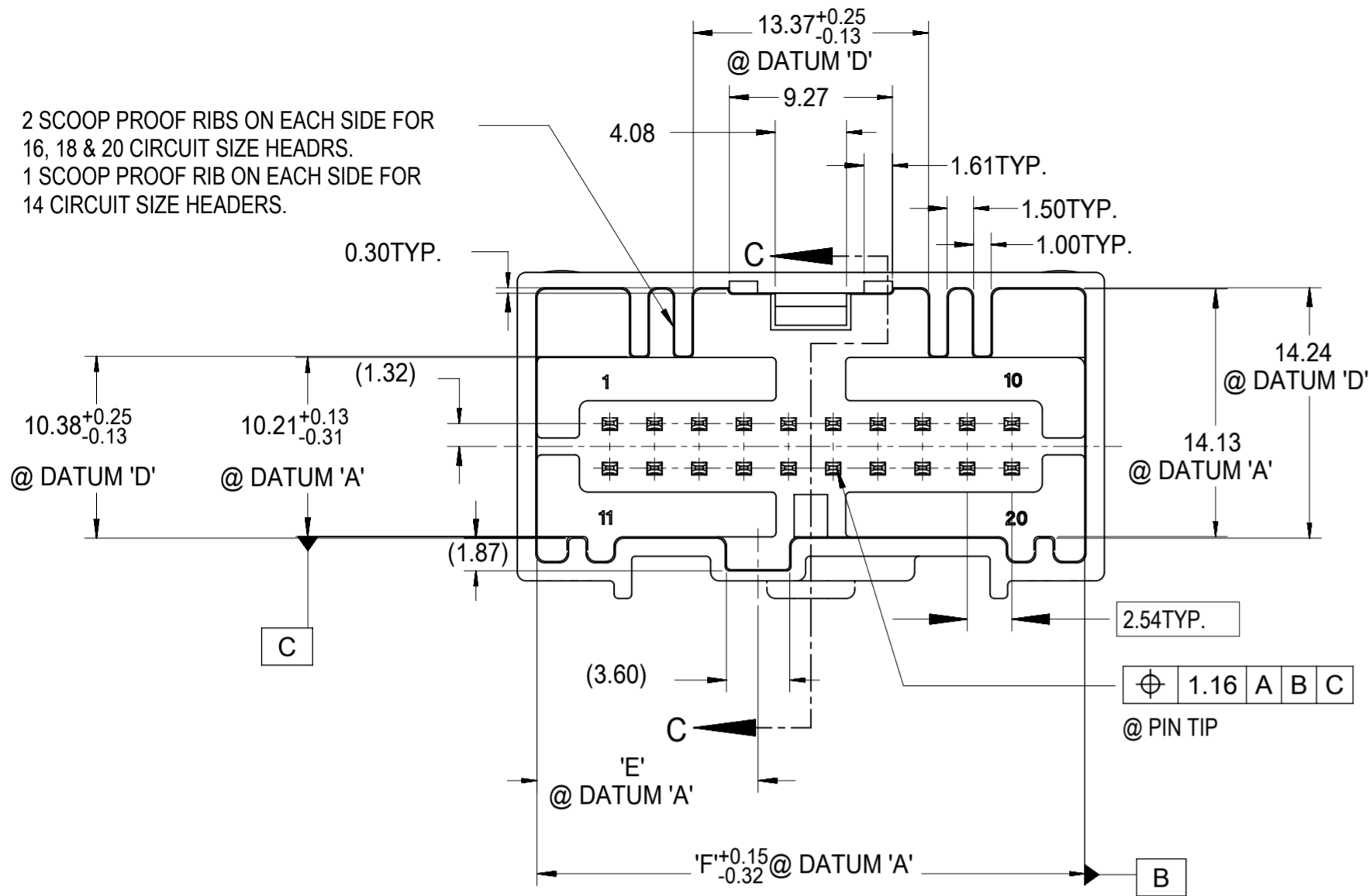
CIRCUIT NUMBER IDENTIFICATION

SEE CHART FOR MINIMUM FEED THROUGH DIAMETER (1MM CLEARANCE ALL AROUND)

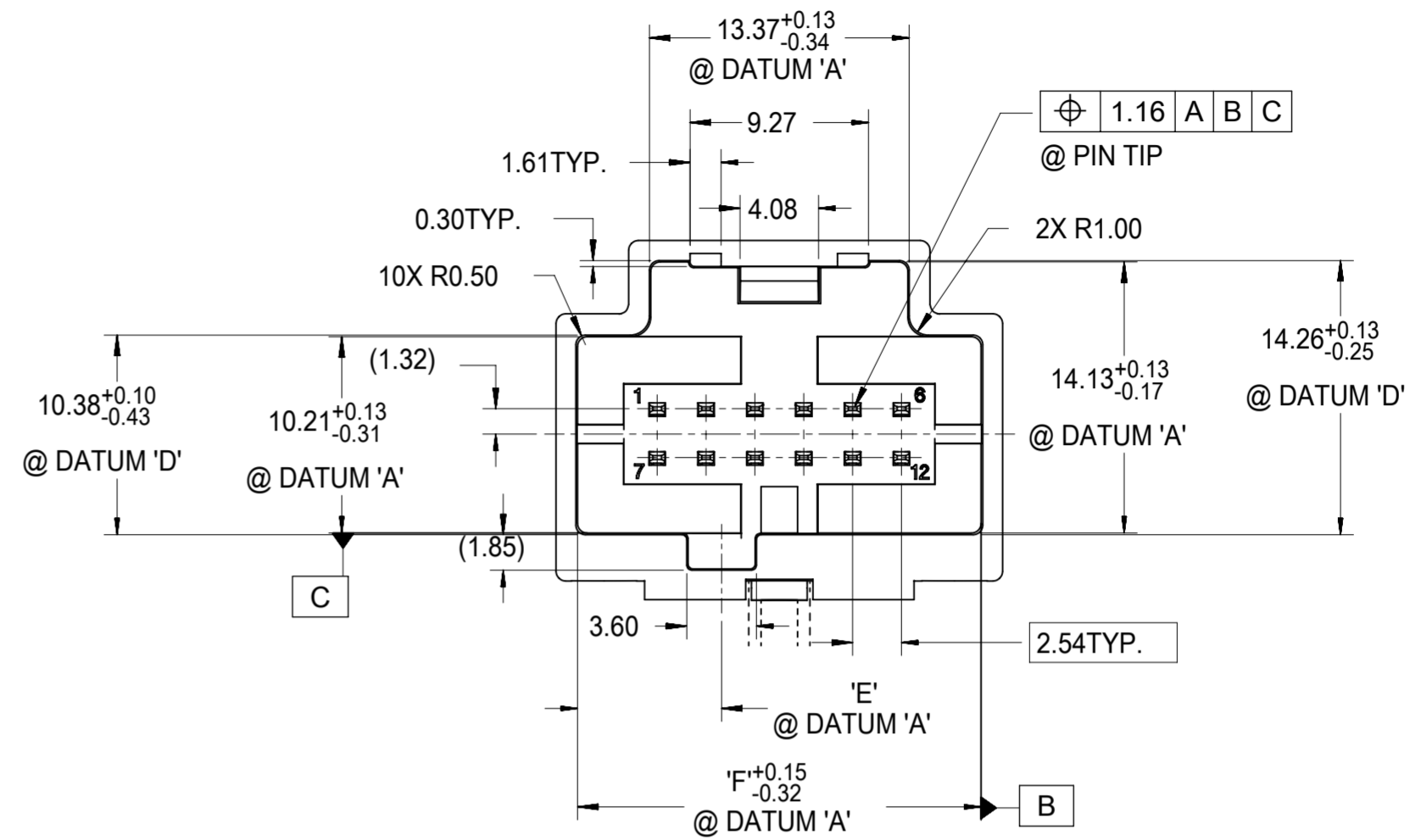


SYMBOLS	THIS DRAWING CONTAINS INFORMATION THAT IS PROPRIETARY TO MOLEX ELECTRONIC TECHNOLOGIES, LLC AND SHOULD NOT BE USED WITHOUT WRITTEN PERMISSION		
	DIMENSION UNITS	SCALE	CURRENT REV DESC:
∅ = 0	mm	2:1	
∇ = 0	GENERAL TOLERANCES (UNLESS SPECIFIED)		
∇ = 0	ANGULAR TOL ± 0.5°		
∇ = 0	4 PLACES ±	EC NO: 601850	
∇ = 0	3 PLACES ±	DRWN: SHANDITHAVAL 2018/07/23	
∇ = 0	2 PLACES ± 0.13	CHK'D: RBAUMAN 2018/07/24	
∇ = 0	1 PLACE ± 0.25	APPR: RBAUMAN 2018/07/24	
∇ = 0	0 PLACES ±	INITIAL REVISION:	
∇ = 0	DRAFT WHERE APPLICABLE MUST REMAIN WITHIN DIMENSIONS	DRWN: RCARLSON 2001/03/23	
	THIRD ANGLE PROJECTION	APPR: LGEIB 2001/04/04	
	DRAWING	SERIES	
	A2-SIZE	30700	
DOCUMENT NUMBER		DOC TYPE	DOC PART
SD-30700-120		PSD	001
CUSTOMER		REVISION	
GENERAL MARKET		J	
SHEET NUMBER		2 OF 3	

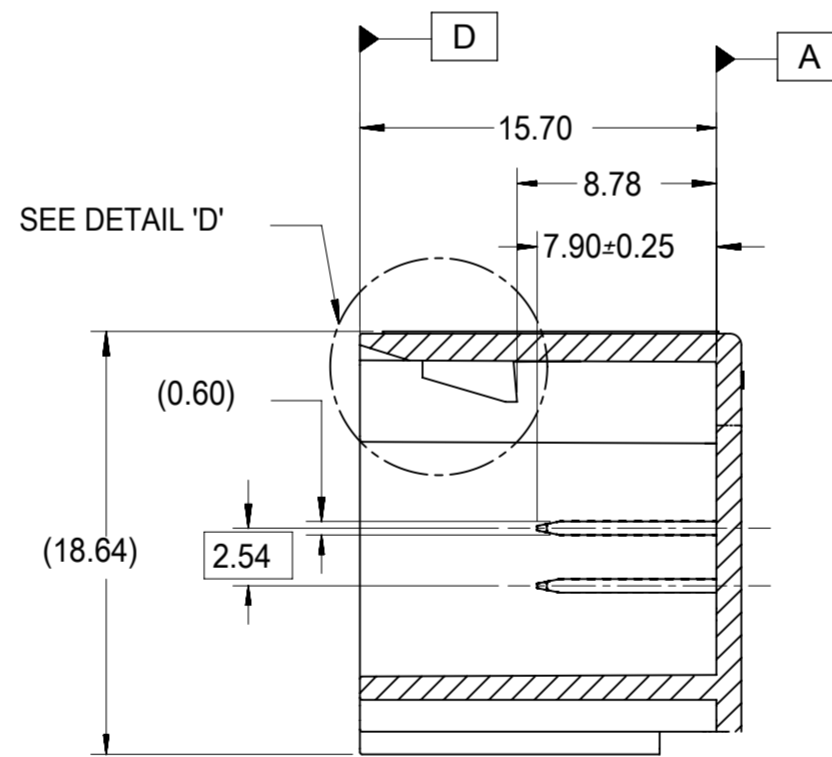
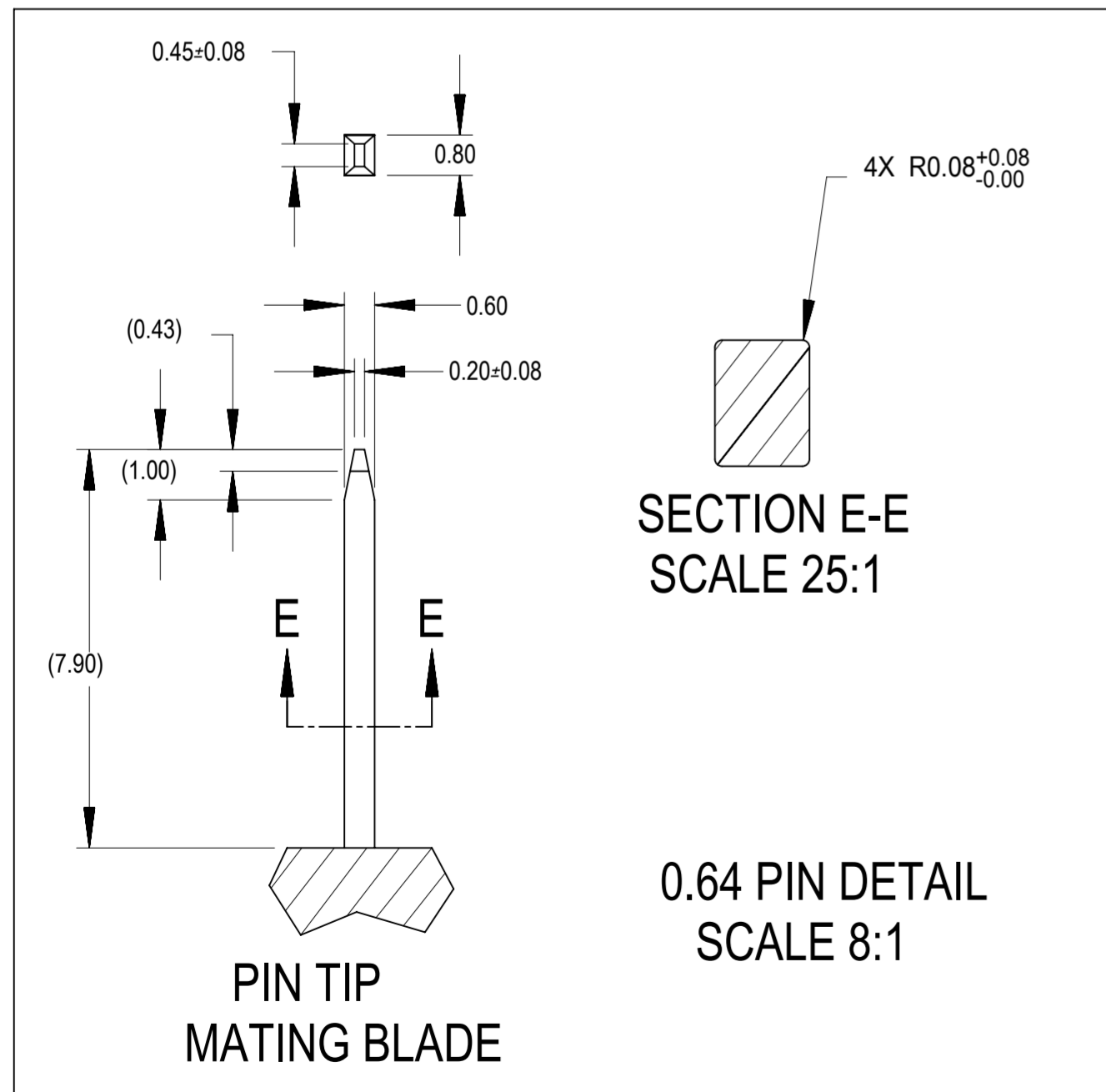
MATING INTERFACE DIMENSIONS (REFERENCE ONLY)



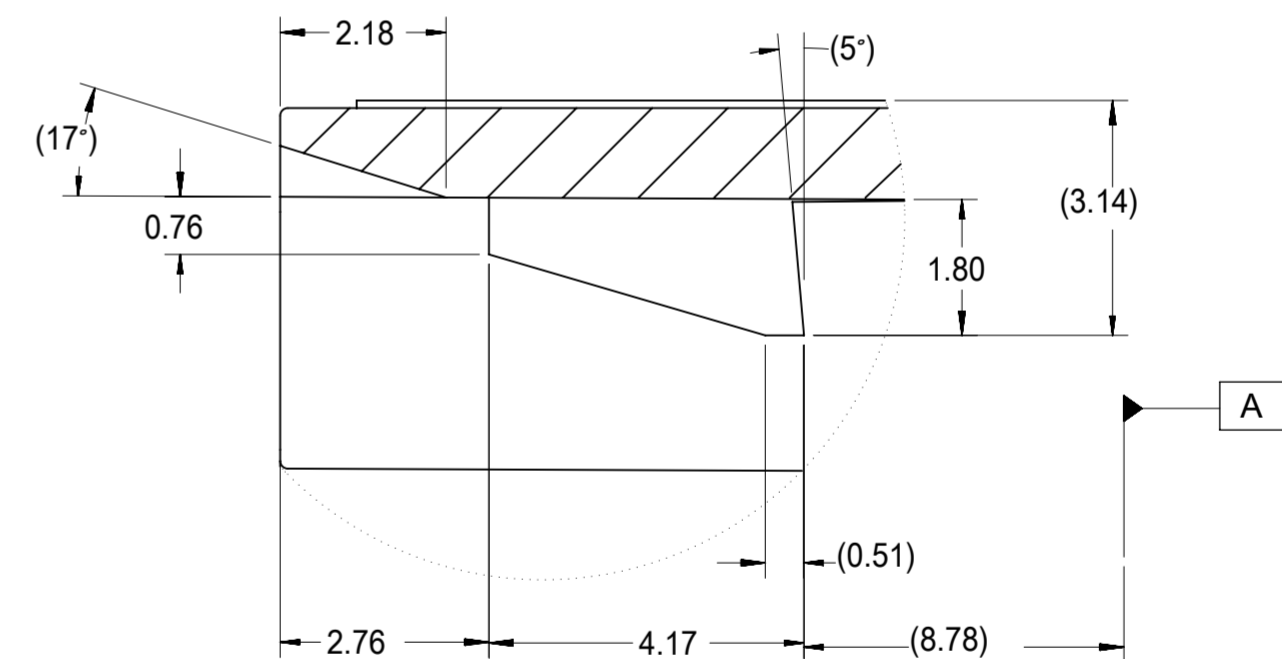
ABOVE VIEW APPLY TO 14, 16, 18 & 20 CIRCUIT ONLY



ABOVE VIEW APPLY TO 6, 8, 10 & 12 CIRCUIT ONLY



SECTION C-C



DETAIL 'D'
SCALE 10:1

SYMBOLS	THIS DRAWING CONTAINS INFORMATION THAT IS PROPRIETARY TO MOLEX ELECTRONIC TECHNOLOGIES, LLC AND SHOULD NOT BE USED WITHOUT WRITTEN PERMISSION	
DIMENSION UNITS	SCALE	CURRENT REV DESC:
∅ = 0	mm	2:1
∇ = 0	GENERAL TOLERANCES (UNLESS SPECIFIED)	
∇ = 0	ANGULAR TOL ± 0.5°	
∇ = 0	4 PLACES ±	
∇ = 0	3 PLACES ±	
∇ = 0	2 PLACES ± 0.13	
∇ = 0	1 PLACE ± 0.25	
∇ = 0	0 PLACES ±	
∇ = 0	DRAFT WHERE APPLICABLE MUST REMAIN WITHIN DIMENSIONS	
∇ = 0	THIRD ANGLE PROJECTION	DRAWING
∇ = 0	A2-SIZE	SERIES
∇ = 0	30700	3
EC NO: 601850 DRWN: SHANDITHAVAL 2018/07/23 CHK'D: RBAUMAN 2018/07/24 APPR: RBAUMAN 2018/07/24 INITIAL REVISION: DRWN: RCARLSON 2001/03/23 APPR: LGEIB 2001/04/04		
molex 6-20 CIRCUIT HARNESS ASSEMBLY PRODUCT CUSTOMER DRAWING		
DOCUMENT NUMBER	DOC TYPE	DOC PART
SD-30700-120	PSD	001
MATERIAL NUMBER	CUSTOMER	SHEET NUMBER
GENERAL MARKET		3 OF 3

Looking for pricing, stock, or lifecycle information?

Click below to explore more details on WIN SOURCE:

 [View 30700-1120 on WIN SOURCE](#)

 [Molex, LLC Information](#)

Optimize Your Supply Chain with WIN SOURCE Solutions

-  Global Sourcing Solution
-  Obsolete Management
-  Cost Control Management
-  Shortage Management
-  Alternative Solution
-  Excess Inventory Management