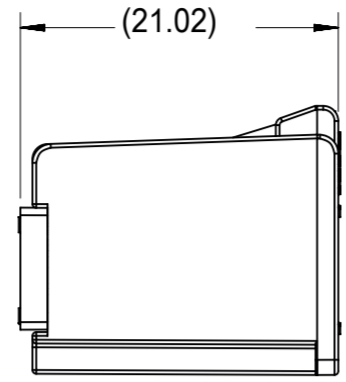
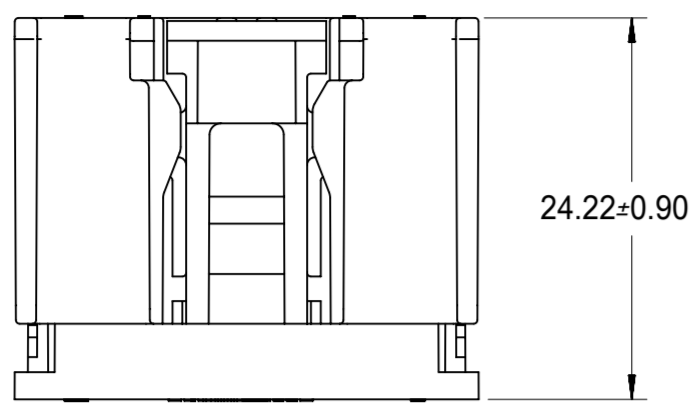


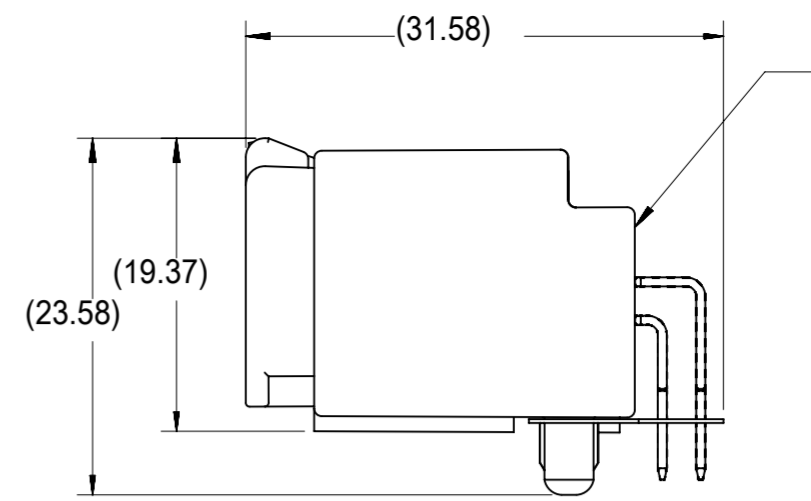


**THE DATASHEET OF**  
**30700-1100**





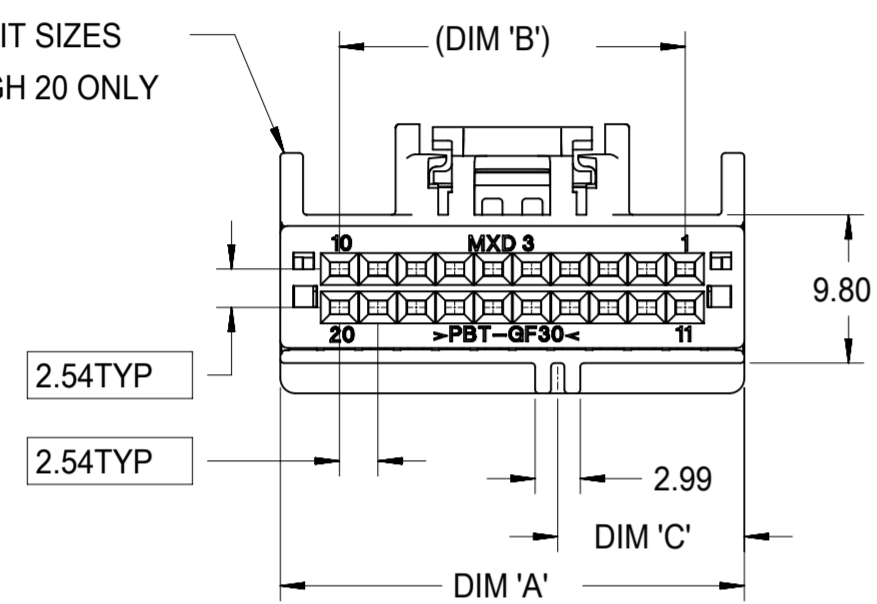
TPA SHOWN IN FULLY SEATED POSITION



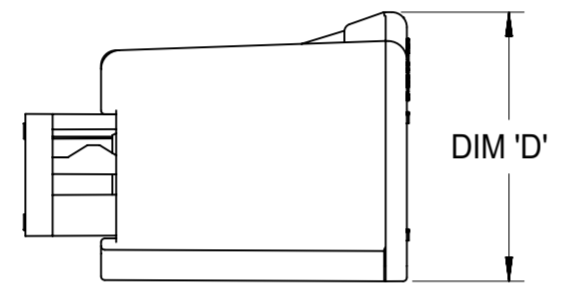
RIGHT ANGLE HEADER ASSEMBLY. SEE SALES DRAWING SD-30700-520.

MATED VIEW

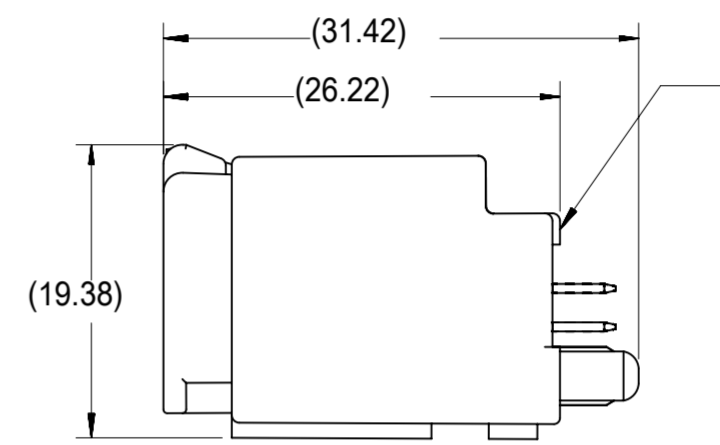
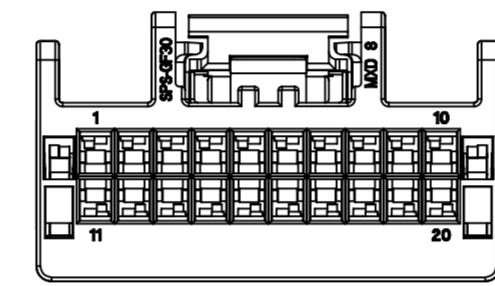
SCOOP PROOF RIBS FOR CIRCUIT SIZES 14 THROUGH 20 ONLY



20 CIRCUIT HARNESS ASSEMBLY SHOWN

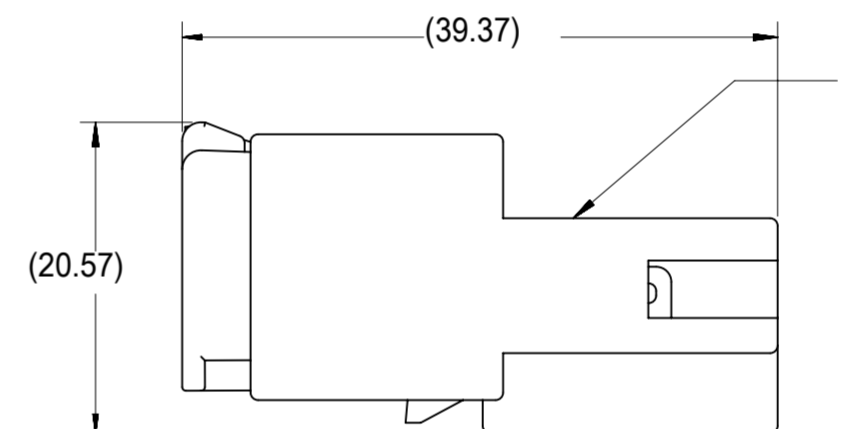


WITH TPA IN PRE-LOAD (AS SHIPPED)



VERTICAL HEADER ASSEMBLY. SEE SALES DRAWING SD-30700-420.

MATED VIEW








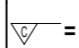



MALE INLINE HARNESS ASSEMBLY. SEE SALES DRAWING SD-30968-120.

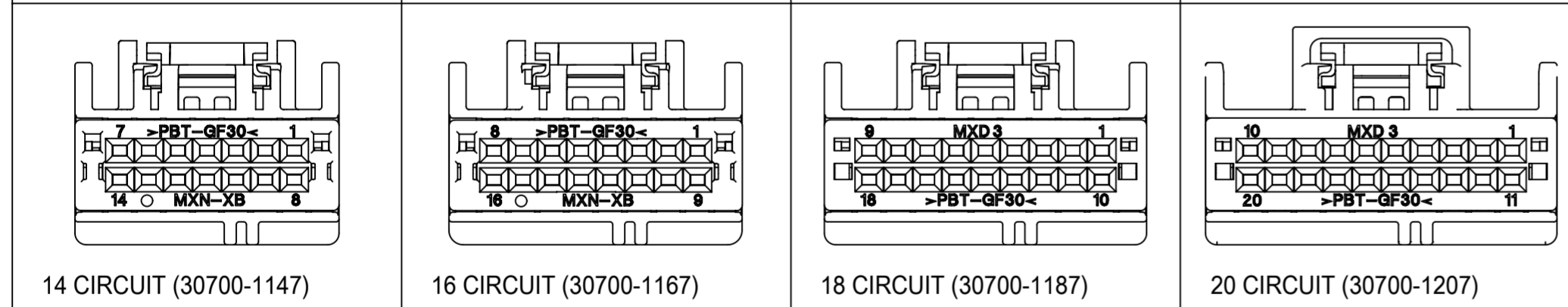
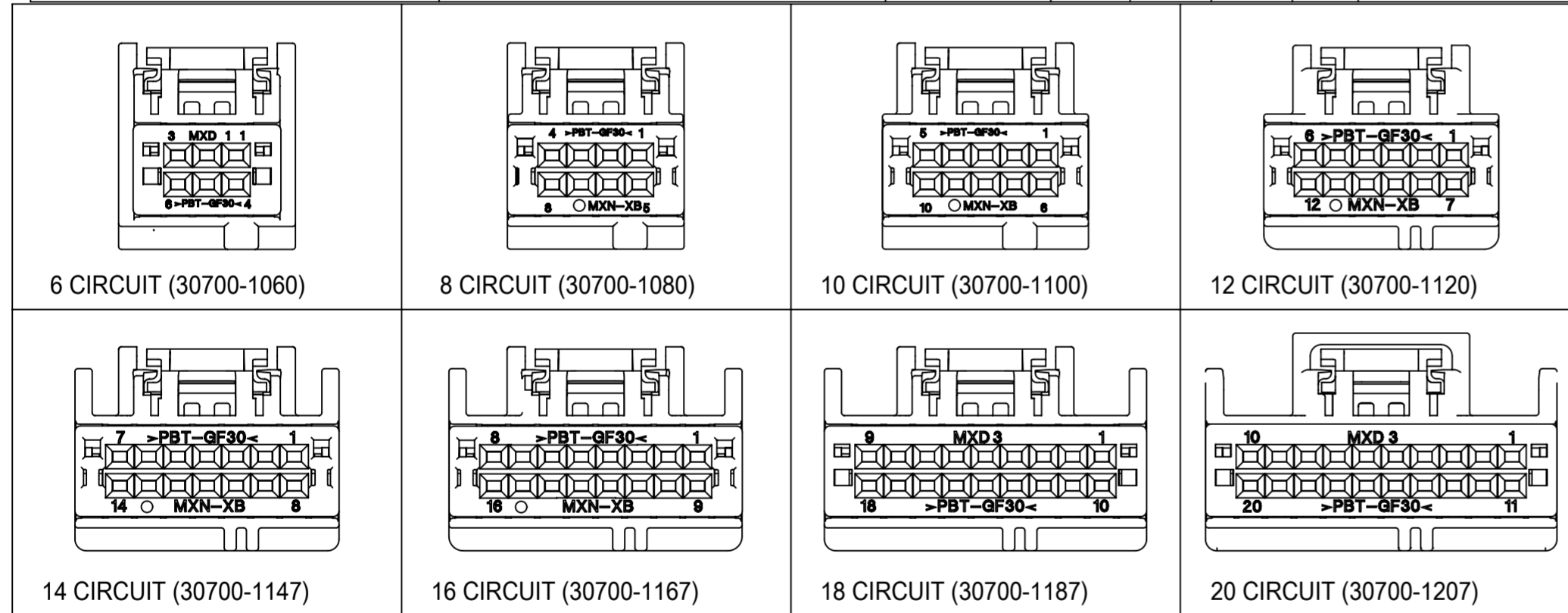
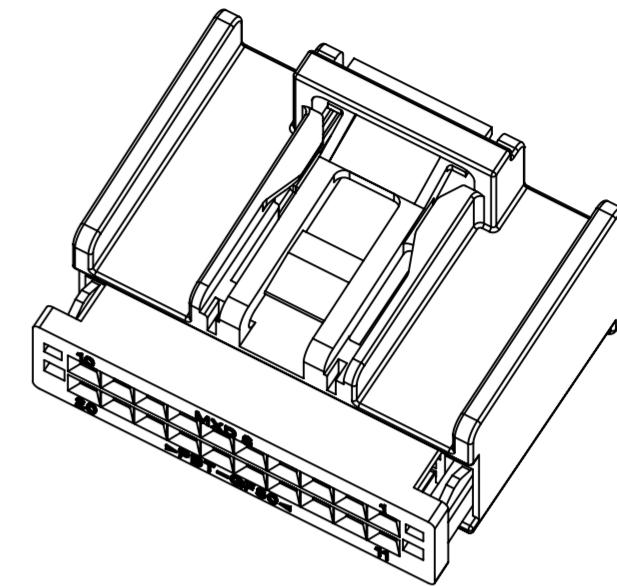
MATED VIEW

NOTES:

1. MATERIAL: HOUSING: SPS, GLASS FILLED, COLOR: SEE CHART.  
TPA: PBT, GLASS FILLED, COLOR: RED.
2. PRODUCT SPECIFICATION: PS-30700-0001
3. PACKAGING SPECIFICATION: PK-30907-417
4. MATES WITH: SERIES 30700 & 30968, SEE SALES DRAWINGS SD-30700-520, SD-30700-420 & SD-30968-120.

<b>SYMBOLS</b>  = 0  = 0  = 0  = 0  = 0  = 0  = 0  = 0	THIS DRAWING CONTAINS INFORMATION THAT IS PROPRIETARY TO MOLEX ELECTRONIC TECHNOLOGIES, LLC AND SHOULD NOT BE USED WITHOUT WRITTEN PERMISSION		 6-20 CIRCUIT HARNESS ASSEMBLY			
	DIMENSION UNITS	SCALE				
	mm	2:1	EC NO: 601850	DRWN: SHANDITHAVAL	2018/07/23	PRODUCT CUSTOMER DRAWING DOCUMENT NUMBER: SD-30700-120 DOC TYPE: PSD DOC PART: 001 REVISION: J
	GENERAL TOLERANCES (UNLESS SPECIFIED)		DRWN: RBAUMAN	2018/07/24		
ANGULAR TOL ± 0.5°		APPR: RBAUMAN	2018/07/24			
4 PLACES ±		INITIAL REVISION:				
3 PLACES ±		DRWN: RBAUMAN	2001/03/23			
2 PLACES ± 0.13		APPR: LGEIB	2001/04/04			
1 PLACE ± 0.25		THIRD ANGLE PROJECTION		DRAWING	SERIES	
0 PLACES ±		DRAFT WHERE APPLICABLE MUST REMAIN WITHIN DIMENSIONS		A2-SIZE	30700	
				MATERIAL NUMBER	CUSTOMER	
				GENERAL MARKET	SHEET NUMBER	
					1 OF 3	

ASSEMBLY PART NUMBER	POLARIZATION OPTIONS & CIRCUIT SIZE		PRODUCT DIMENSIONS					PASS THRU HOLE DIA FOR HARNESS	MATING INTERFACE DIMENSIONS	
			A REF.	(B)	C	D	HOUSING COLOR		E	F
30700-1207	POLARIZATION OPTION #1	20	30.69	22.86	12.35	17.79	GRAY	36.5	12.57	31.14
30700-1208	POLARIZATION OPTION #2	20	30.69	22.86	15.35	17.79	BLACK	36.5	15.57	31.14
30700-1209	POLARIZATION OPTION #3	20	30.69	22.86	18.35	17.79	NATURAL (CREAM)	36.5	18.57	31.14
30700-1187	POLARIZATION OPTION #1	18	28.15	20.32	11.08	17.79	GRAY	34.0	11.31	28.60
30700-1188	POLARIZATION OPTION #2	18	28.15	20.32	14.08	17.79	BLACK	34.0	14.31	28.60
30700-1189	POLARIZATION OPTION #3	18	28.15	20.32	17.08	17.79	NATURAL (CREAM)	34.0	17.31	28.60
30700-1167	POLARIZATION OPTION #1	16	25.61	17.78	9.81	17.79	GRAY	32.0	10.04	26.06
30700-1168	POLARIZATION OPTION #2	16	25.61	17.78	12.81	17.79	BLACK	32.0	13.04	26.06
30700-1169	POLARIZATION OPTION #3	16	25.61	17.78	15.81	17.79	NATURAL (CREAM)	32.0	16.04	26.06
30700-1147	POLARIZATION OPTION #1	14	23.07	15.24	8.54	17.79	GRAY	30.0	8.77	23.52
30700-1148	POLARIZATION OPTION #2	14	23.07	15.24	11.54	17.79	BLACK	30.0	11.77	23.52
30700-1149	POLARIZATION OPTION #3	14	23.07	15.24	14.54	17.79	NATURAL (CREAM)	30.0	14.77	23.52
30700-1120	POLARIZATION OPTION #1	12	20.53	12.70	7.25	17.79	GRAY	27.5	7.50	20.98
30700-1121	POLARIZATION OPTION #2	12	20.53	12.70	10.27	17.79	BLACK	27.5	10.50	20.98
30700-1122	POLARIZATION OPTION #3	12	20.53	12.70	13.27	17.98	NATURAL (CREAM)	27.5	13.50	20.98
30700-1100	POLARIZATION OPTION #1	10	17.99	10.16	6.00	17.98	GRAY	26.4	6.23	18.44
30700-1101	POLARIZATION OPTION #2	10	17.99	10.16	9.00	17.98	BLACK	26.4	9.23	18.44
30700-1102	POLARIZATION OPTION #3	10	17.99	10.16	12.00	17.98	NATURAL (CREAM)	26.4	12.23	18.44
30700-1080	POLARIZATION OPTION #1	8	15.45	7.62	4.73	17.98	GRAY	25.5	4.96	15.90
30700-1081	POLARIZATION OPTION #2	8	15.45	7.62	7.73	17.98	BLACK	25.5	7.96	15.90
30700-1082	POLARIZATION OPTION #3	8	15.45	7.62	10.73	17.98	NATURAL (CREAM)	25.5	10.96	15.90
30700-1060	POLARIZATION OPTION #1	6	15.44	5.08	3.46	17.98	GRAY	25.5	3.69	13.36
30700-1061	POLARIZATION OPTION #2	6	15.44	5.08	6.46	17.98	BLACK	25.5	6.69	13.36
30700-1062	POLARIZATION OPTION #3	6	15.44	5.08	9.46	17.98	NATURAL (CREAM)	25.5	9.69	13.36

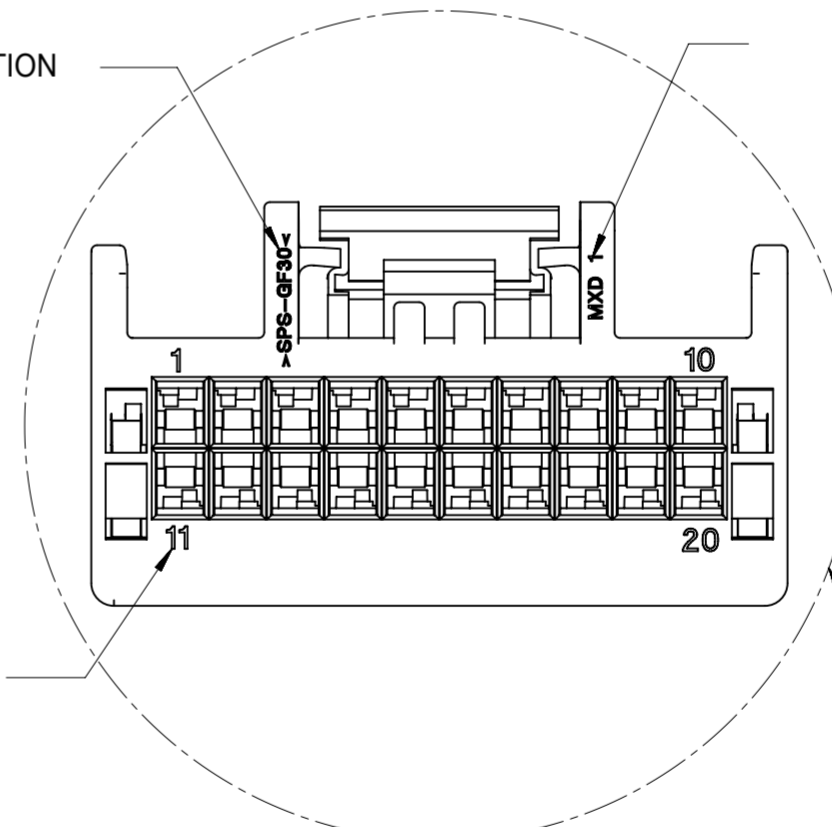


MATERIAL IDENTIFICATION SYMBOL

MX - VENDOR IDENTIFICATION (MOLEX)  
X - MANUFACTURING LOCATION  
( 'N' FOR LINCOLN, 'D' FOR AUBURN HILLS)

CIRCUIT NUMBER IDENTIFICATION

SEE CHART FOR MINIMUM FEED THROUGH DIAMETER (1MM CLEARANCE ALL AROUND)



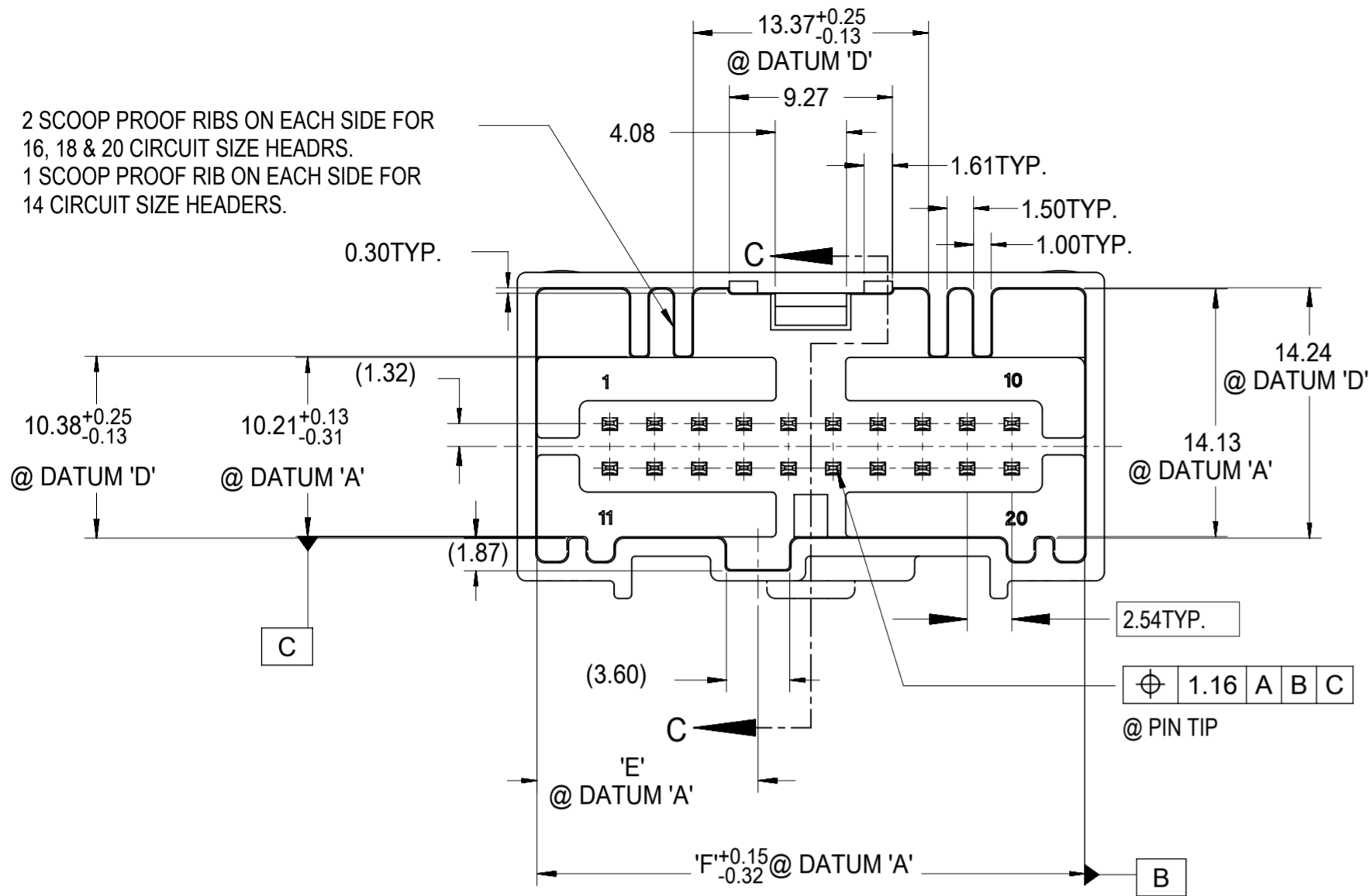
SYMBOLS	THIS DRAWING CONTAINS INFORMATION THAT IS PROPRIETARY TO MOLEX ELECTRONIC TECHNOLOGIES, LLC AND SHOULD NOT BE USED WITHOUT WRITTEN PERMISSION		
	DIMENSION UNITS	SCALE	CURRENT REV DESC:
∅ = 0	mm	2:1	EC NO: 601850 DRWN: SHANDITHAVAL 2018/07/23 CHK'D: RBAUMAN 2018/07/24 APPR: RBAUMAN 2018/07/24
∇ = 0	GENERAL TOLERANCES (UNLESS SPECIFIED)		
∇ = 0	ANGULAR TOL ± 0.5°		INITIAL REVISION: DRWN: RCARLSON 2001/03/23 APPR: LGEIB 2001/04/04
∇ = 0	4 PLACES ±		
∇ = 0	3 PLACES ±		DOCUMENT NUMBER: SD-30700-120 DOC TYPE: PSD DOC PART: 001 REVISION: J
∇ = 0	2 PLACES ± 0.13		
∇ = 0	1 PLACE ± 0.25		MATERIAL NUMBER: GENERAL MARKET CUSTOMER: GENERAL MARKET SHEET NUMBER: 2 OF 3
∇ = 0	0 PLACES ±		
∇ = 0	DRAFT WHERE APPLICABLE MUST REMAIN WITHIN DIMENSIONS	THIRD ANGLE PROJECTION	DRAWING: A2-SIZE SERIES: 30700

**molex**

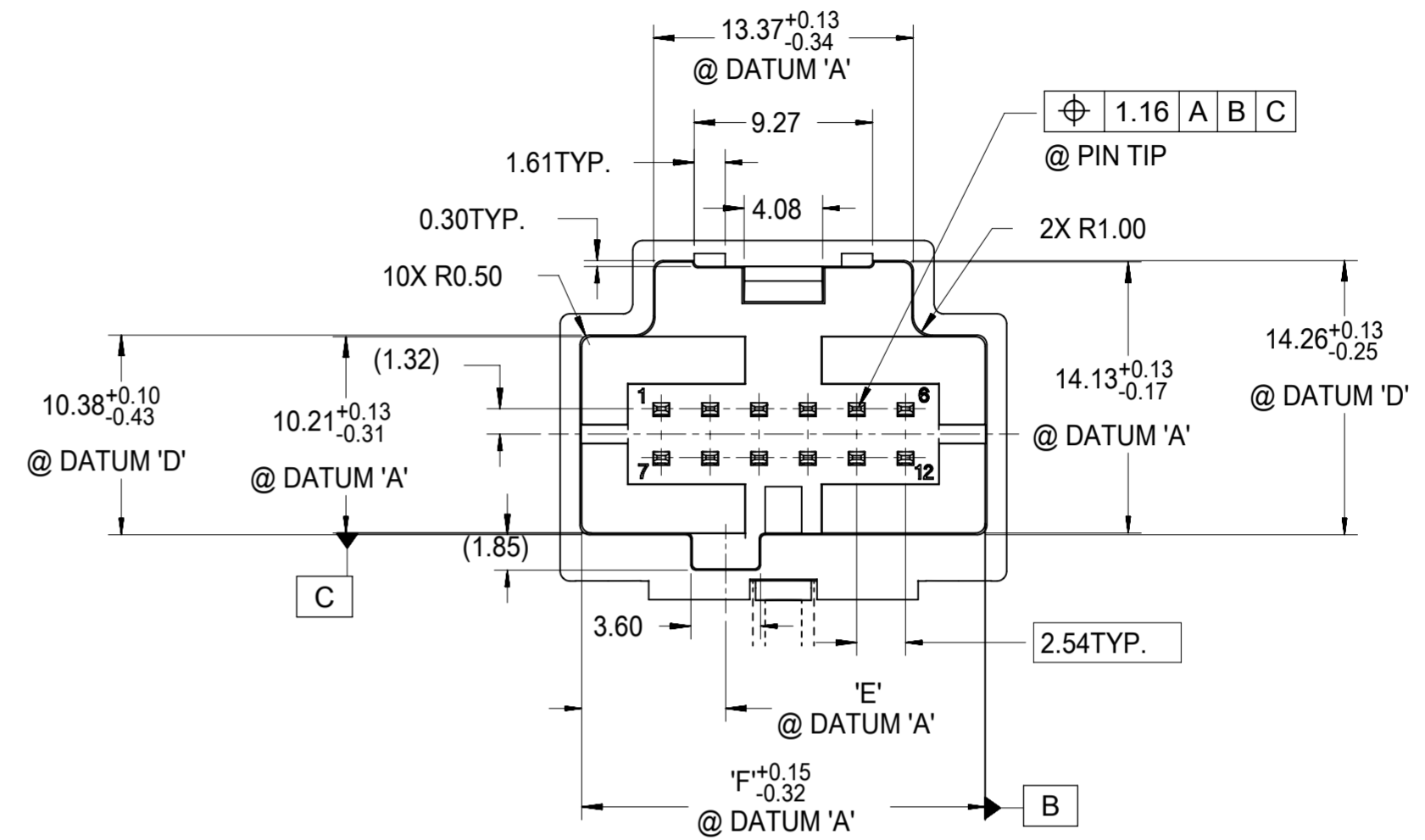
6-20 CIRCUIT  
HARNESS ASSEMBLY

PRODUCT CUSTOMER DRAWING

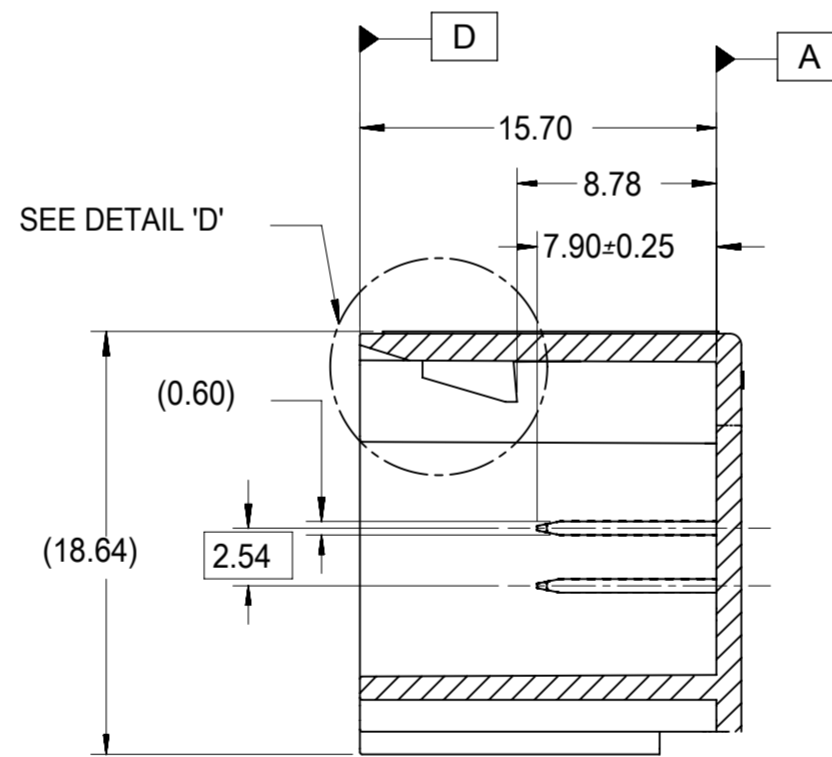
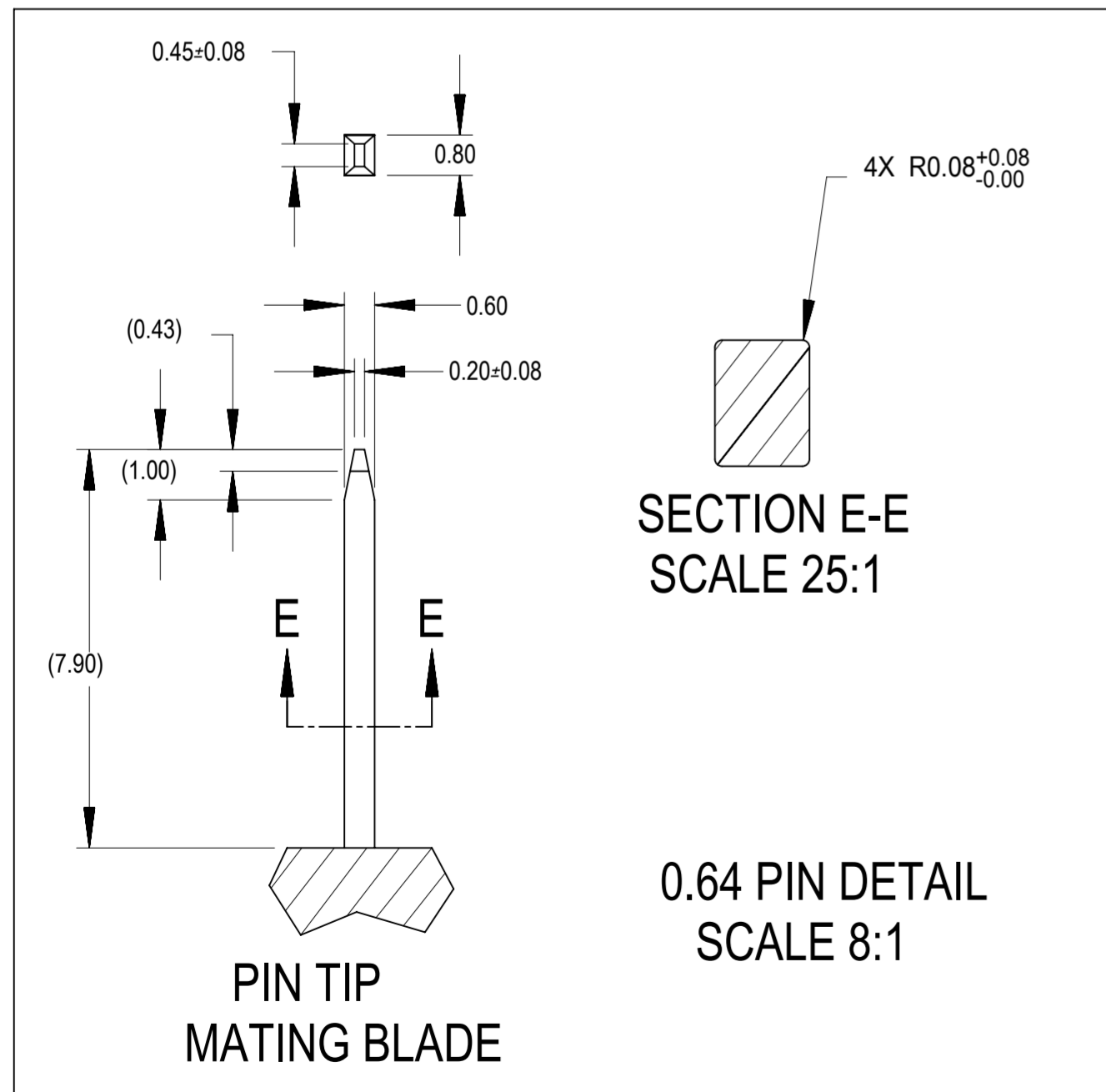
# MATING INTERFACE DIMENSIONS (REFERENCE ONLY)



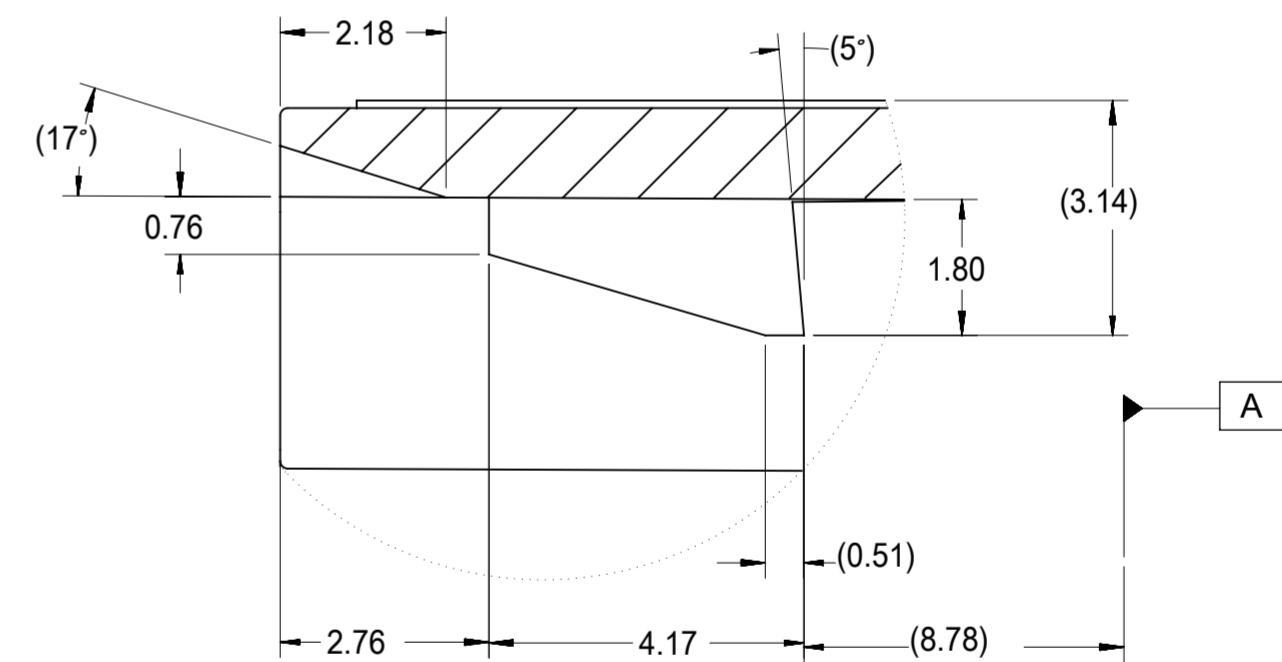
ABOVE VIEW APPLY TO 14, 16, 18 & 20 CIRCUIT ONLY



ABOVE VIEW APPLY TO 6, 8, 10 & 12 CIRCUIT ONLY



SECTION C-C



DETAIL 'D'  
SCALE 10:1

SYMBOLS		THIS DRAWING CONTAINS INFORMATION THAT IS PROPRIETARY TO MOLEX ELECTRONIC TECHNOLOGIES, LLC AND SHOULD NOT BE USED WITHOUT WRITTEN PERMISSION	
DIMENSION UNITS	SCALE	CURRENT REV DESC:	
∅ = 0	mm	2:1	
∇ = 0	GENERAL TOLERANCES (UNLESS SPECIFIED)		
∇ = 0	ANGULAR TOL ± 0.5°		
∇ = 0	4 PLACES ±		
∇ = 0	3 PLACES ±		
∇ = 0	2 PLACES ± 0.13		
∇ = 0	1 PLACE ± 0.25		
∇ = 0	0 PLACES ±		
∇ = 0	DRAFT WHERE APPLICABLE MUST REMAIN WITHIN DIMENSIONS		
		THIRD ANGLE PROJECTION	DRAWING
		SERIES	
		A2-SIZE	30700
		EC NO: 601850	
		DRWN: SHANDITHAVAL	2018/07/23
		CHK'D: RBAUMAN	2018/07/24
		APPR: RBAUMAN	2018/07/24
		INITIAL REVISION:	
		DRWN: RCARLSON	2001/03/23
		APPR: LGEIB	2001/04/04
DOCUMENT STATUS		DOCUMENT NUMBER	DOC TYPE   DOC PART   REVISION
P1	RELEASE DATE	SD-30700-120	PSD   001   J
2018/07/24	20:32:40	MATERIAL NUMBER	CUSTOMER
		GENERAL MARKET	SHEET NUMBER
			3 OF 3

**molex**

6-20 CIRCUIT  
HARNES ASSEMBLY

PRODUCT CUSTOMER DRAWING

SD-30700-120

PSD 001 J

GENERAL MARKET

3 OF 3

## Looking for pricing, stock, or lifecycle information?

Click below to explore more details on WIN SOURCE:

 [View 30700-1100 on WIN SOURCE](#)

 [Molex, LLC Information](#)

## Optimize Your Supply Chain with WIN SOURCE Solutions

-  Global Sourcing Solution
-  Obsolete Management
-  Cost Control Management
-  Shortage Management
-  Alternative Solution
-  Excess Inventory Management