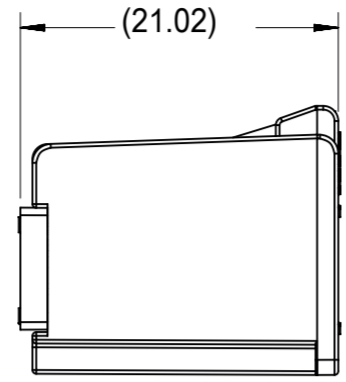
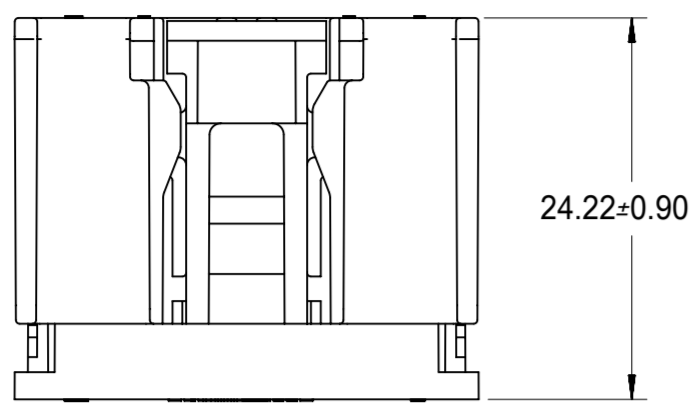


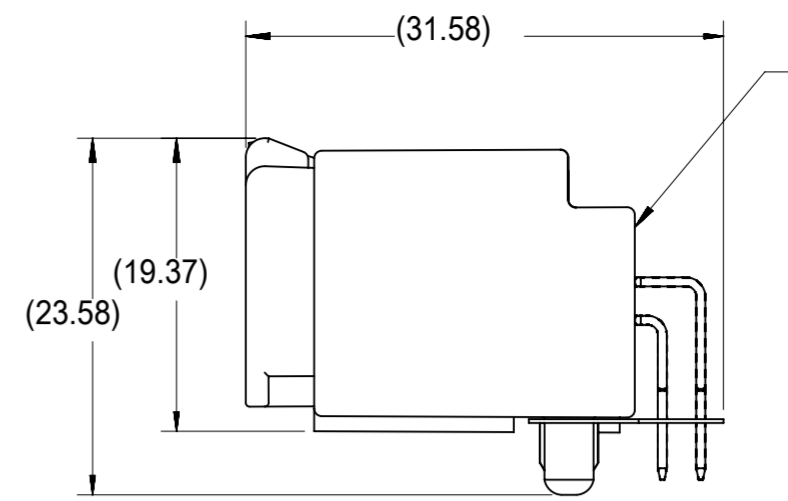


**THE DATASHEET OF
30700-1080**





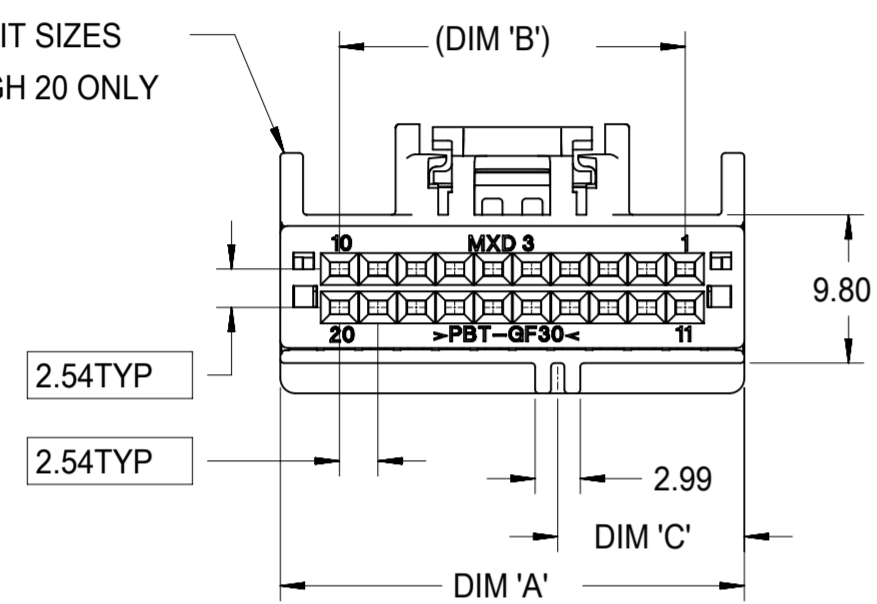
TPA SHOWN IN FULLY SEATED POSITION



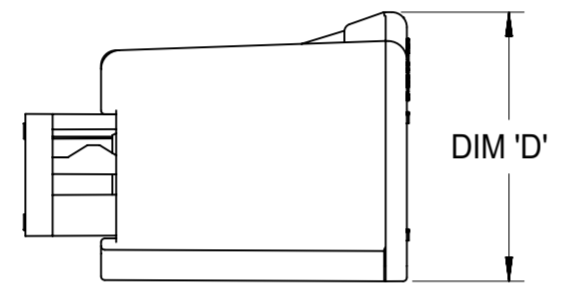
RIGHT ANGLE HEADER ASSEMBLY. SEE SALES DRAWING SD-30700-520.

MATED VIEW

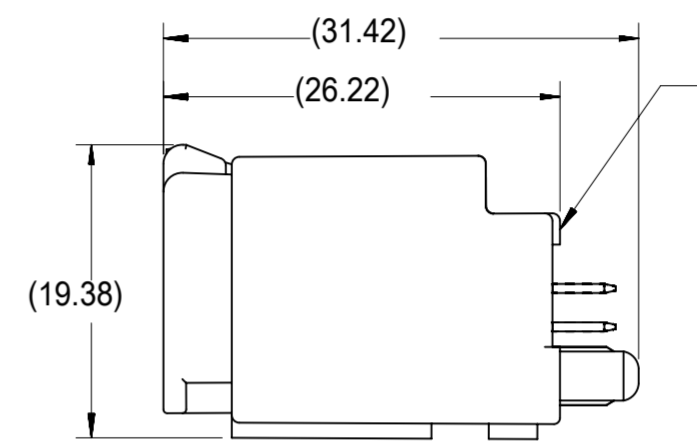
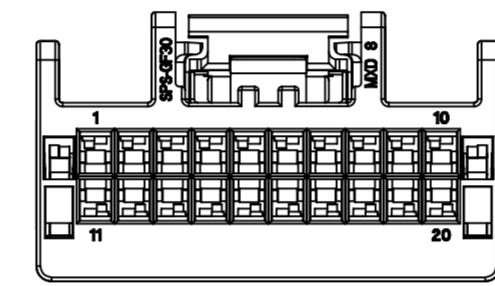
SCOOP PROOF RIBS FOR CIRCUIT SIZES 14 THROUGH 20 ONLY



20 CIRCUIT HARNESS ASSEMBLY SHOWN

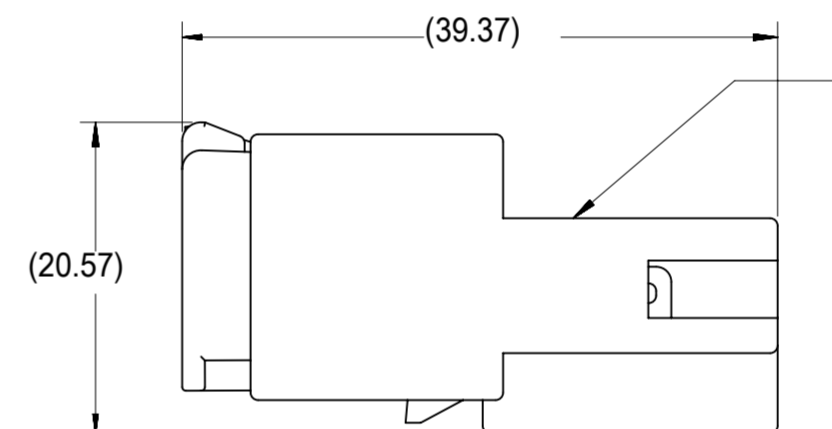


WITH TPA IN PRE-LOAD (AS SHIPPED)



VERTICAL HEADER ASSEMBLY. SEE SALES DRAWING SD-30700-420.

MATED VIEW



MALE INLINE HARNESS ASSEMBLY. SEE SALES DRAWING SD-30968-120.

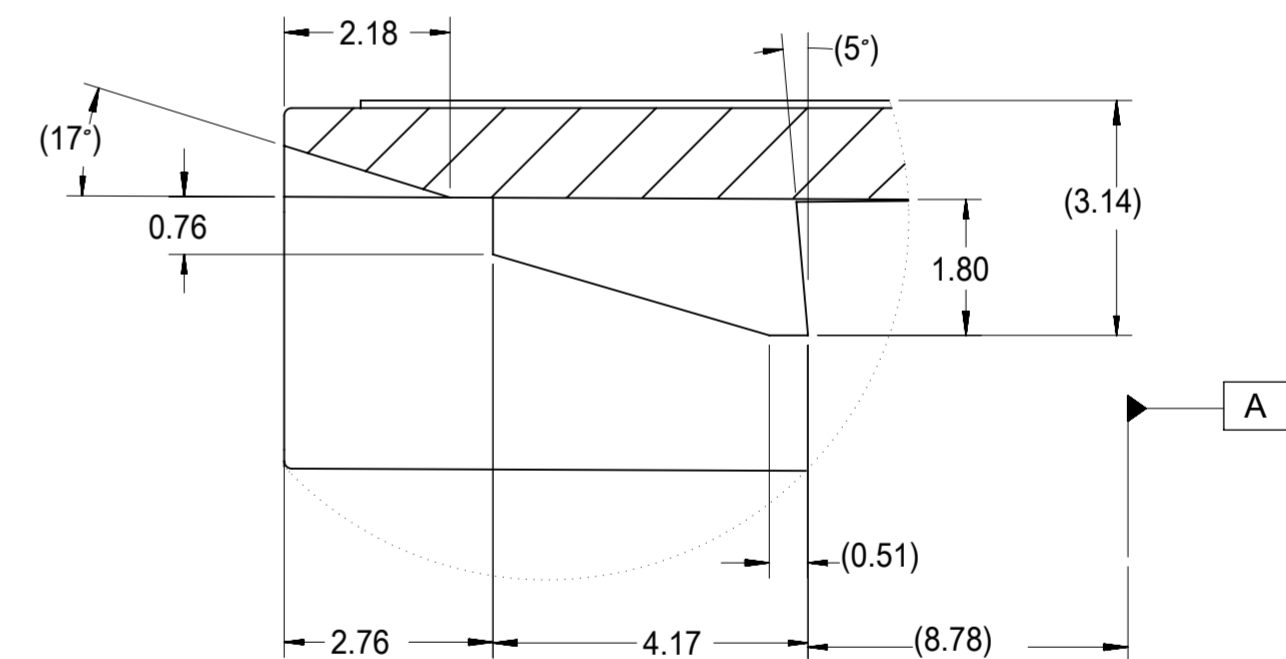
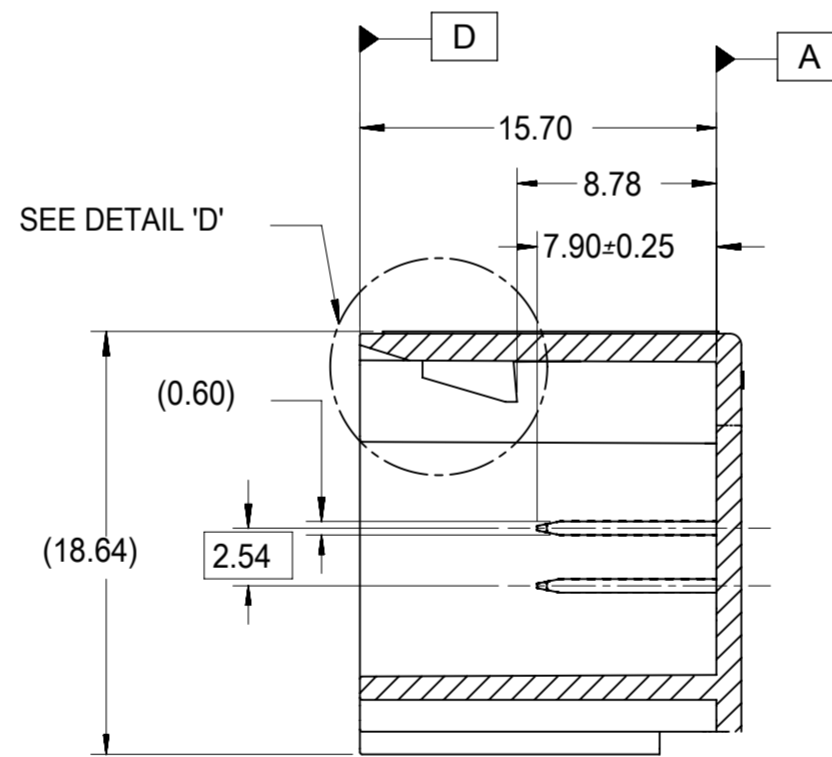
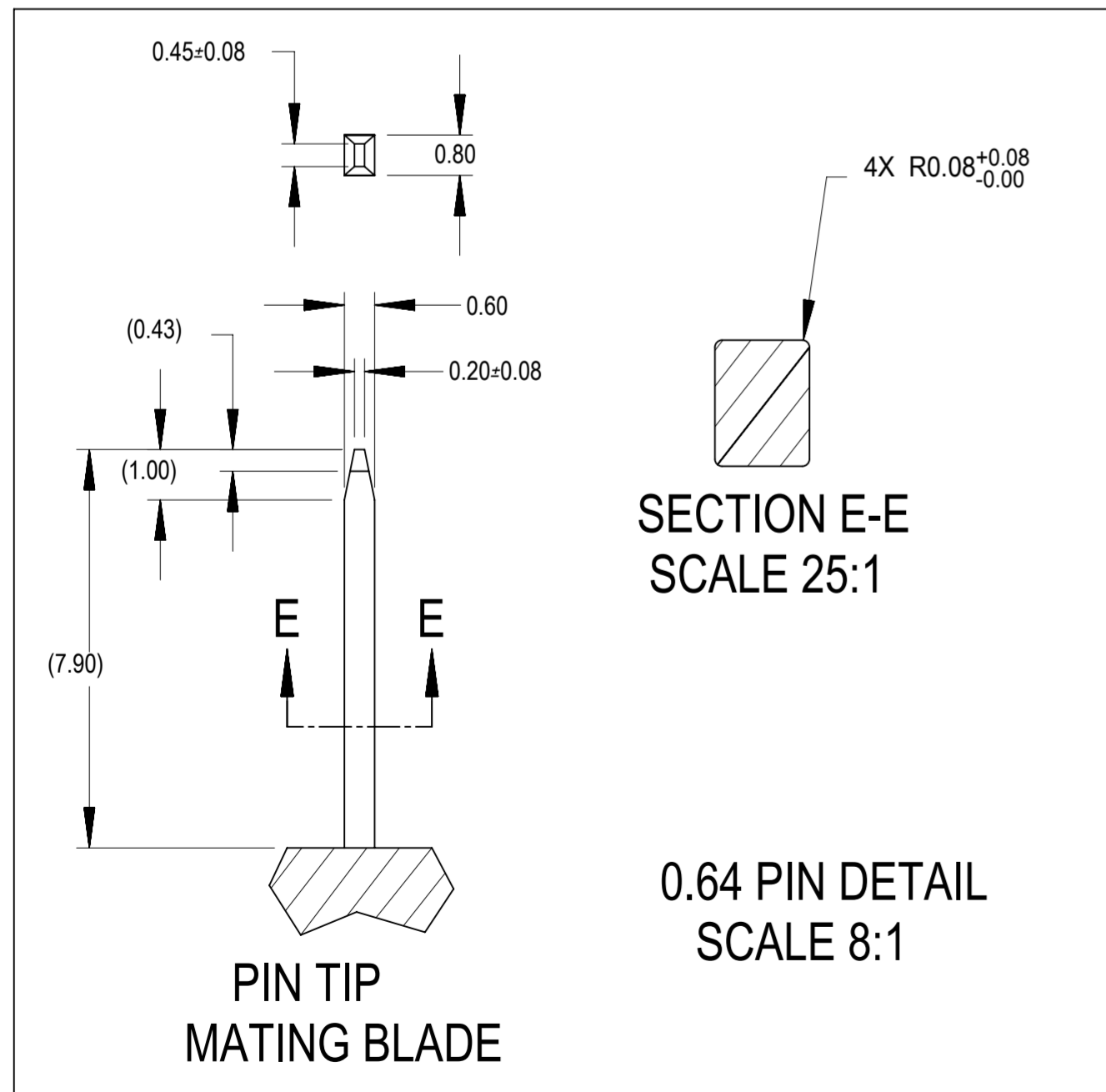
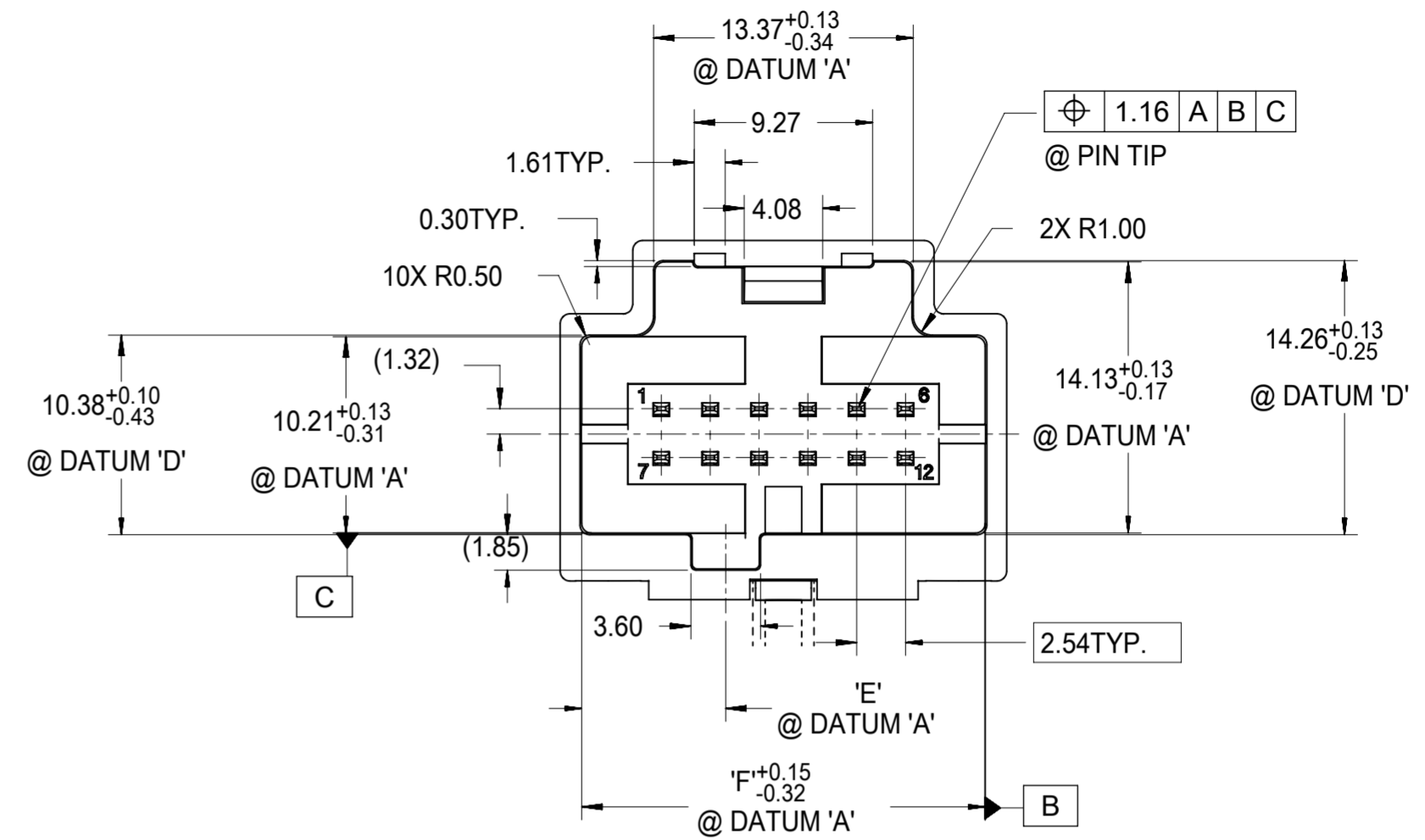
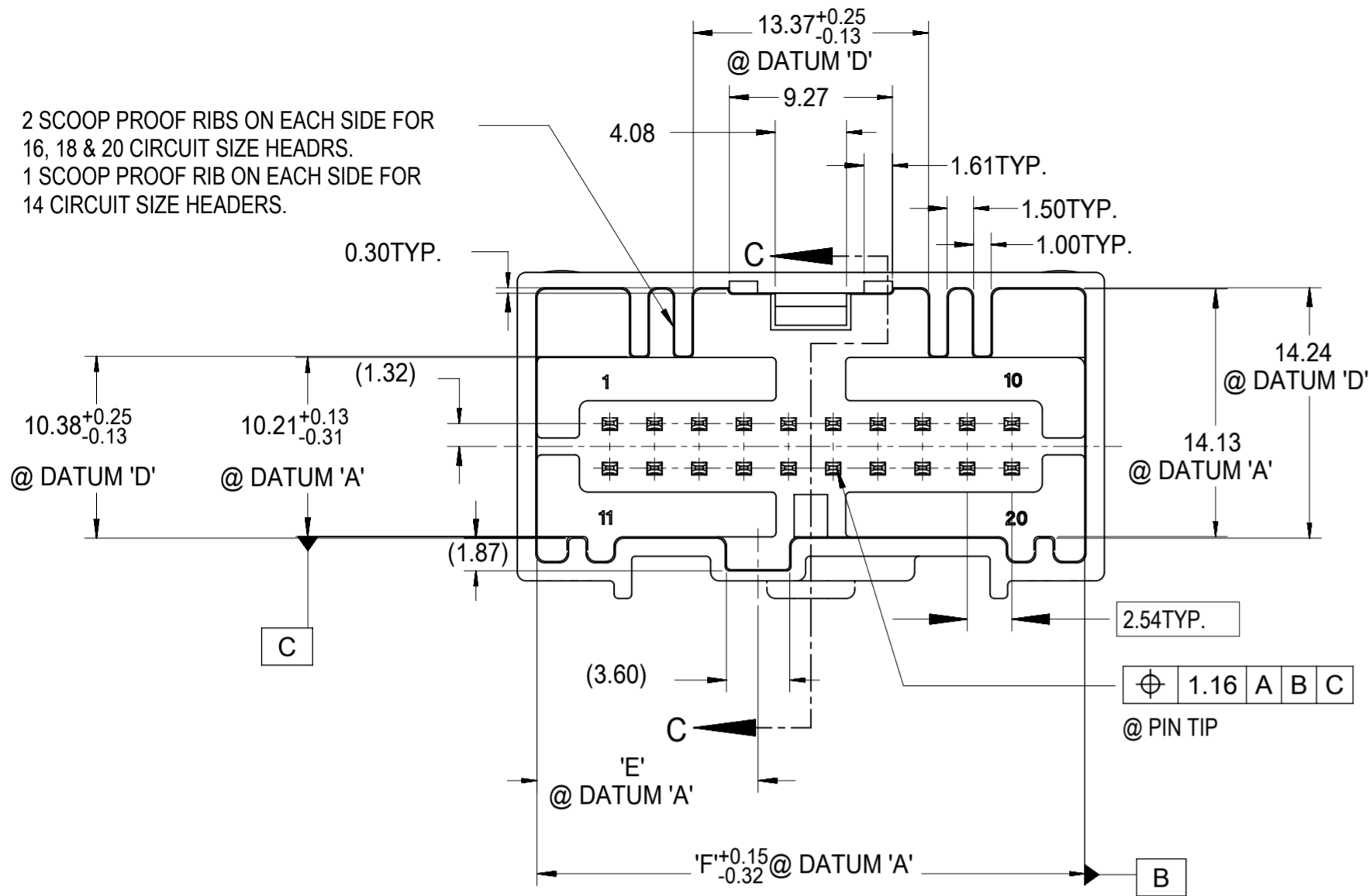
MATED VIEW

NOTES:

1. MATERIAL: HOUSING: SPS, GLASS FILLED, COLOR: SEE CHART.
TPA: PBT, GLASS FILLED, COLOR: RED.
2. PRODUCT SPECIFICATION: PS-30700-0001
3. PACKAGING SPECIFICATION: PK-30907-417
4. MATES WITH: SERIES 30700 & 30968, SEE SALES DRAWINGS SD-30700-520, SD-30700-420 & SD-30968-120.

SYMBOLS	THIS DRAWING CONTAINS INFORMATION THAT IS PROPRIETARY TO MOLEX ELECTRONIC TECHNOLOGIES, LLC AND SHOULD NOT BE USED WITHOUT WRITTEN PERMISSION										
	DIMENSION UNITS	SCALE	CURRENT REV DESC:								
∅ = 0	mm	2:1	EC NO: 601850								
∇ = 0	GENERAL TOLERANCES (UNLESS SPECIFIED)		DRWN: SHANDITHAVAL 2018/07/23							PRODUCT CUSTOMER DRAWING	
∇ = 0	ANGULAR TOL ± 0.5°		CHK'D: RBAUMAN 2018/07/24								
∇ = 0	4 PLACES ±		APPR: RBAUMAN 2018/07/24							MATERIAL NUMBER: 30700 CUSTOMER: GENERAL MARKET SHEET NUMBER: 1 OF 3	
∇ = 0	2 PLACES ± 0.13		INITIAL REVISION:								
∇ = 0	1 PLACE ± 0.25		DRWN: RCARLSON 2001/03/23								
∇ = 0	0 PLACES ±		APPR: LGEIB 2001/04/04								
∇ = 0	DRAFT WHERE APPLICABLE MUST REMAIN WITHIN DIMENSIONS		THIRD ANGLE PROJECTION	DRAWING	SERIES						
∇ = 0				A2-SIZE	30700						

MATING INTERFACE DIMENSIONS (REFERENCE ONLY)



SYMBOLS	THIS DRAWING CONTAINS INFORMATION THAT IS PROPRIETARY TO MOLEX ELECTRONIC TECHNOLOGIES, LLC AND SHOULD NOT BE USED WITHOUT WRITTEN PERMISSION		CURRENT REV DESC:				
DIMENSION UNITS	SCALE	EC NO: 601850		DOCUMENT NUMBER	DOC TYPE	DOC PART	REVISION
∅ = 0	mm	2:1	DRWN: SHANDITHAVAL	2018/07/23	molex		
∇ = 0	GENERAL TOLERANCES (UNLESS SPECIFIED)		CHK'D: RBAUMAN	2018/07/24			
∇ = 0	ANGULAR TOL ± 0.5°		APPR: RBAUMAN	2018/07/24	PRODUCT CUSTOMER DRAWING		
∇ = 0	4 PLACES ±		INITIAL REVISION:		DOCUMENT NUMBER		
∇ = 0	3 PLACES ±		DRWN: RCARLSON		SD-30700-120		
∇ = 0	2 PLACES ± 0.13		APPR: LGEIB		DOC TYPE PSD		
∇ = 0	1 PLACE ± 0.25		2001/03/23		DOC PART 001		
∇ = 0	0 PLACES ±		2001/04/04		REVISION J		
∇ = 0	DRAFT WHERE APPLICABLE MUST REMAIN WITHIN DIMENSIONS		THIRD ANGLE PROJECTION	DRAWING A2-SIZE	SERIES 30700	MATERIAL NUMBER	CUSTOMER GENERAL MARKET
∇ = 0					SHEET NUMBER		3 OF 3

Looking for pricing, stock, or lifecycle information?

Click below to explore more details on WIN SOURCE:

 [View 30700-1080 on WIN SOURCE](#)

 [Molex, LLC Information](#)

Optimize Your Supply Chain with WIN SOURCE Solutions

-  Global Sourcing Solution
-  Obsolete Management
-  Cost Control Management
-  Shortage Management
-  Alternative Solution
-  Excess Inventory Management