



THE DATASHEET OF NL1801

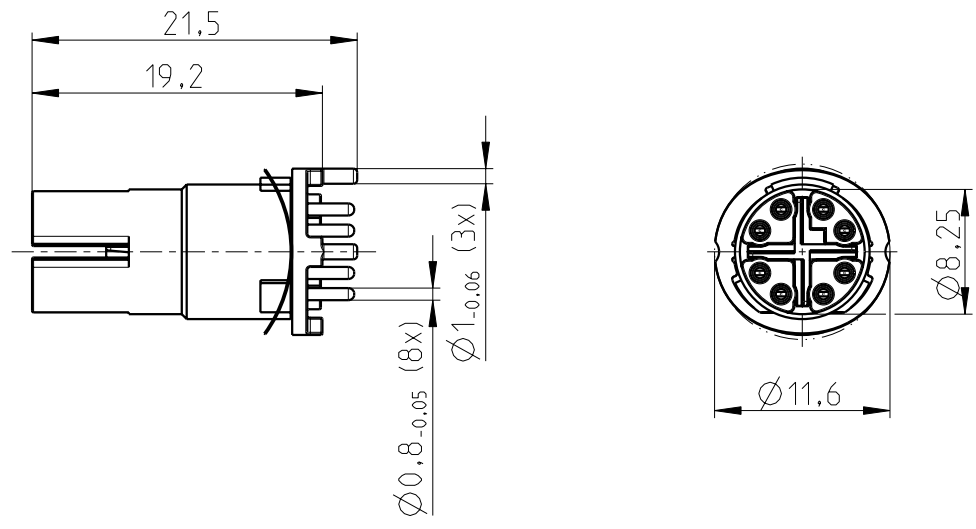


The copying, distribution and utilization of this document as well as the communication of the contents to others without expressed authorization is prohibited according to §18 UWG German Law. Offenders will be held liable for the payment of damages according to §19 UWG German Law. All rights reserved. In particular the right to carry out patent, utility model or ornamental design registrations.

Weitergabe sowie Vervielfältigung dieses Dokuments, Verwertung und Mitteilung seines Inhalts gem §18 UWG verboten. soweit nicht ausdrücklich gestattet. Zuwiderhandlungen verpflichten zu Schadensersatz (§19 UWG). Alle Rechte vorbehalten, insbesondere das Recht, Patent-, Gebrauchsmuster- oder Geschmacksmusteranmeldungen durchzuführen. CONINVERS GmbH Heisenbergstrasse 1 D-71083 Herrenberg

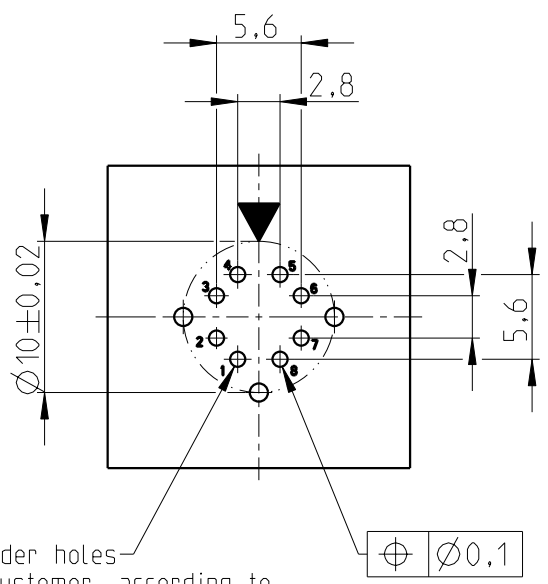
| Mechanical data (according to IEC 61076-2-101) | | Material | |
|---|--------------------------------|------------------------|-------------------|
| no. of poles / coding | 8 / X (with shield connection) | contacts / surface | CuZn, gold plated |
| contact termination | dip solder / socket | contact carrier colour | PPA black |
| contact- \varnothing | 8x $\varnothing 0,6$ mm | sealing gasket | - |
| temperature range | -40 °C to +90 °C | shielding cross | GD-Zn |
| protection class | IP67 | | |
| mating cycles | >100 | | |

further information:
- see technical data M12-3



All specified data refers to the mounted M12 installation plugs \geq IP54 and requires that the connector pair be correctly plugged and locked. Influences from wires, cables or PCB mounting are also to be taken into consideration.

drilling plan component side (front view PC-Board)



Design of the solder holes provided by the customer, according to solder - process (THR, wave)

orientation of contact carrier see design aid M12-1

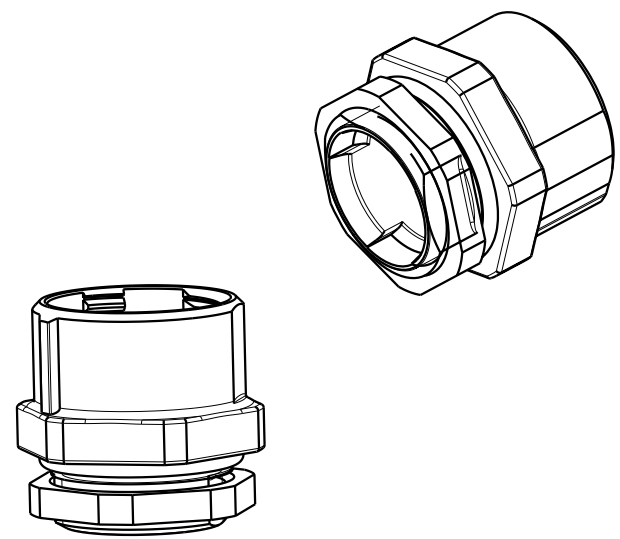
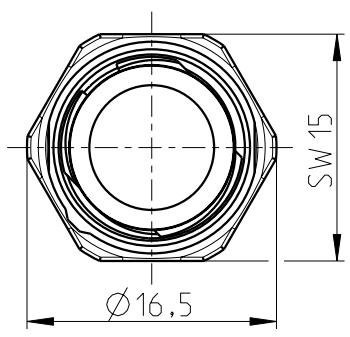
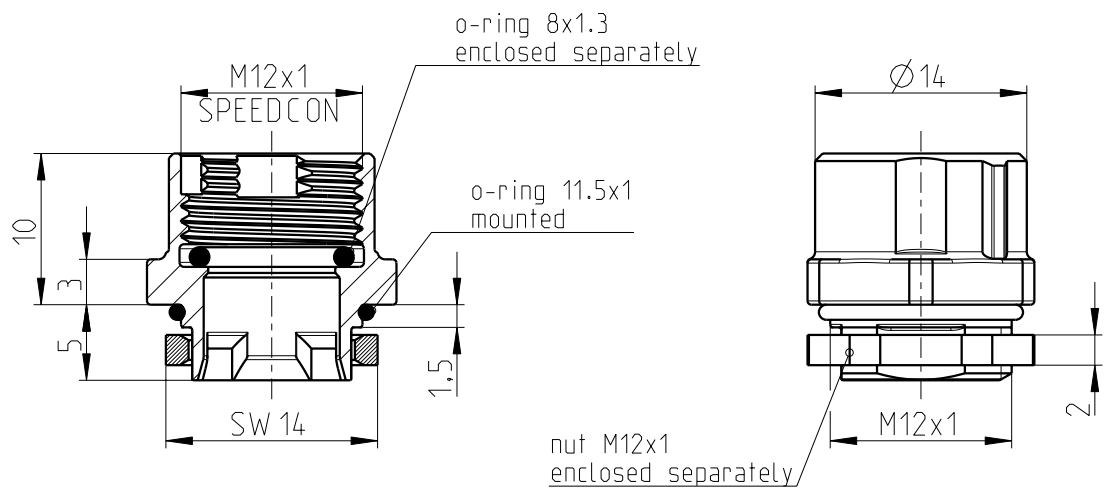
| | | | | | | | |
|--|------------|----------------------------|--------------------------------|--|-----------|---------------|--|
| general tolerance acc. to DIN ISO 2768-c | | technical changes reserved | | Index 1 / 2012-07-19 | | scale: 2:1 | |
| design | date | name | | Series DSIV M12-installation plug straight 8-pole socket/X-coding/shield connection/SCO/o-ring | | | |
| chk. | 2012-07-19 | Thumm | | | | | |
| | | drawing-no.: | BS-08S2XJ2M100 | | doc.-no.: | 00673665 | |
| | | order-no.: | 1440669 | | | | |
| | | article designation: | SACC-DSIV-FS-8CON-L180-10G SCO | | | | |
| | | | | | | page: 1 of: 2 | |

The copying, distribution and utilization of this document as well as the communication of the contents to others without expressed authorization is prohibited according to §18 UWG German Law. Offenders will be held liable for the payment of damages according to §19 UWG German Law. All rights reserved, in particular the right to carry out patent, utility model or ornamental design registrations.

Weitergabe sowie Vervielfältigung dieses Dokuments, Verwertung und Mitteilung seines Inhalts gem §18 UWG verboten, soweit nicht ausdrücklich gestattet. Zuwiderhandlungen verpflichten zu Schadensersatz (§19 UWG). Alle Rechte vorbehalten, insbesondere das Recht, Patent-, Gebrauchsmuster- oder Geschmacksmusteranmeldungen durchzuführen. CONIVERS GmbH Heisenbergstrasse 1 D-71083 Herrenberg

| Mechanical data (according to IEC 61076-2-101) | |
|--|----------------------|
| Locking thread | M12 SPEEDCON |
| Material | |
| flange housing | GD-Zn, nickel-plated |
| sealing gasket | EPDM |
| nut | brass, nickel-plated |
| temperature range | -40 °C to +90 °C |

further information:
- see installation recommendation SACC-M12-SCO NUT



All specified data refers to the mounted M12 installation plugs ≥ IP54 and requires that the connector pair be correctly plugged and locked. Influences from wires, cables or PCB mounting are also to be taken into consideration.

| | | | | | | | |
|--|------------|----------------------------|--------------------------------|--|-----------|------------|--|
| general tolerance acc. to DIN ISO 2768-c | | technical changes reserved | | Index 1 / 2012-07-19 | | scale: 2:1 | |
| design | date | name | | Series DSIV M12-installation plug straight 8-pole socket/X-coding/shield connection/SCO/o-ring | | | |
| chk. | 2012-07-19 | Thumm | | | | | |
| | | drawing-no.: | BS-08S2XJ2M100 | | doc.-no.: | 00673665 | |
| | | order-no.: | 1440669 | | | | |
| | | article designation: | SACC-DSIV-FS-8CON-L180-10G SCO | | | | |

page: 2 of: 2

Looking for pricing, stock, or lifecycle information?

Click below to explore more details on WIN SOURCE:

- [View NL1801 on WIN SOURCE](#)
- [Phoenix Contact Information](#)

Optimize Your Supply Chain with WIN SOURCE Solutions

- ✓ Global Sourcing Solution
- ✓ Obsolete Management
- ✓ Cost Control Management
- ✓ Shortage Management
- ✓ Alternative Solution
- ✓ Excess Inventory Management