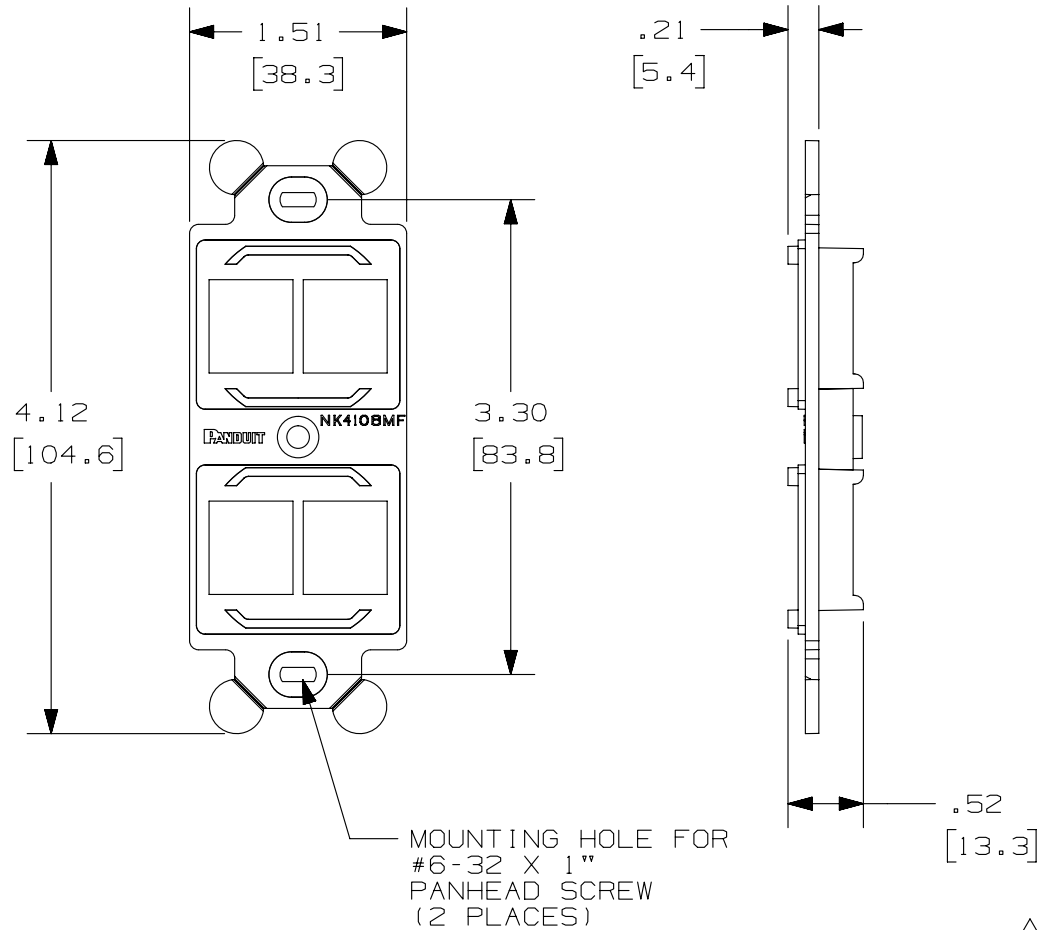




**THE DATASHEET OF
NK4106MFIW**



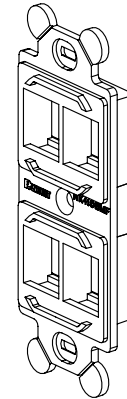
THIS COPY IS PROVIDED ON A RESTRICTED BASIS AND IS NOT TO BE USED IN ANY WAY DETRIMENTAL TO THE INTERESTS OF PANDUIT CORP.



| PANDUIT P/N | WEIGHT |
|-------------|------------------------------|
| NK4106MF** | .03 lb EACH (12.2 g EACH) |

NOTES:

1. SEE CURRENT CATALOG FOR ADDITIONAL PART NUMBER SUFFIXES TO INDICATE COLOR AND OR PACKAGE QUANTITY.
2. FRAME ACCEPTS FOUR 4 NETKEY™ MODULES.
3. DIMENSIONS IN PARENTHESES ARE IN METRIC.
4. (2) #6-32 x 1" PANHEAD SCREWS ARE SUPPLIED.



| | | | |
|---|----------|-------------------|-------|
| PART NUMBER | | NK4106MF** | |
| TITLE | | | |
| NETKEY 4 POSITION "106" STYLE MODULE FRAME | | | |
| CUSTOMER DRAWING | | | |
| ITEM REVISION NAME | | D38378BA/05 | |
| DATASET FILE NAME | | D38378BA_DC03/05A | |
| UNLESS OTHERWISE SPECIFIED, DIMENSIONAL TOLERANCES ARE: IN (mm) | | MATERIAL: | |
| .x ± .03 [.8] | | ABS | |
| .xxx ± .010 [.3] | | DRAWING NUMBER: | |
| ANGLES ± | | 38378-03 | |
| THIRD ANGLE PROJECTION | | SHT 1 OF 1 | |
| DRAWN BY | DATE | CHK | SCALE |
| JSP | 11-30-01 | PM | NONE |
| REV | DATE | BY | CHK |
| 2 | 5-09-14 | MDJR | REFR |
| 1 | 10-18-02 | JSP | PBD |
| R | 11-30-01 | JBN | PM |
| DESCRIPTION | | ECN | |
| B. UPDATED TITLE BLOCK. | | 38378-03 | |
| A. REVISED TITLE. | | 38378-03 | |
| RELEASED TO PRODUCTION | | 38378-03 | |

D10100DA/14

2



1

2

1

Looking for pricing, stock, or lifecycle information?

Click below to explore more details on WIN SOURCE:

-  [View NK4106MFIW on WIN SOURCE](#)
-  [Panduit Corp Information](#)

Optimize Your Supply Chain with WIN SOURCE Solutions

-  Global Sourcing Solution
-  Obsolete Management
-  Cost Control Management
-  Shortage Management
-  Alternative Solution
-  Excess Inventory Management