

LOW INPUT OFFSET VOLTAGE C-MOS OPERATIONAL AMPLIFIER

■ GENERAL DESCRIPTION

The NJU7051,52 and 54 are single,dual and quad C-MOS Operational Amplifiers operated on a single-power-supply,low voltage and low operating current.

The input offset voltage is lower than 2mV,and the input bias current is as low as less than 1pA,consequently the very small signal around the ground level can be amplified.

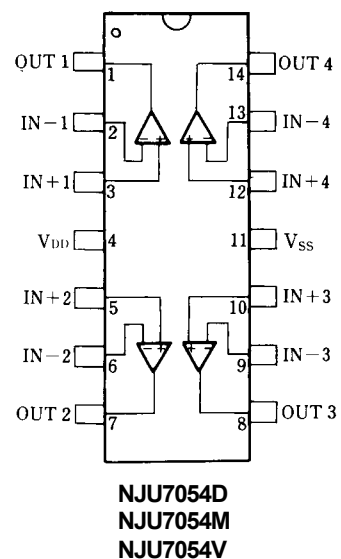
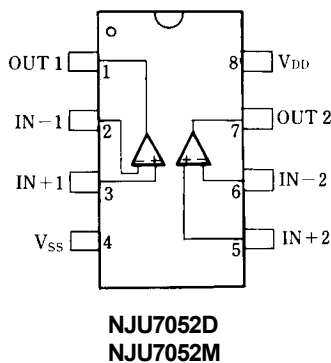
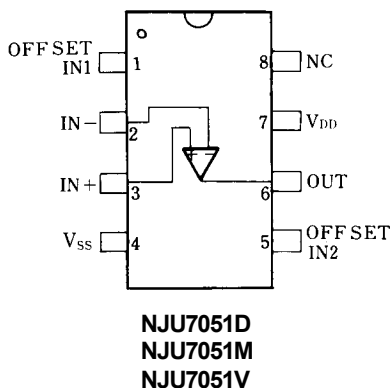
The minimum operating voltage is 1V and the output stage permits output signal to swing between both of the supply rails.

Furthermore,the operating current is also as low as 15μA (typ) per circuit,therefore it can be applied especially to battery operated items.

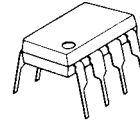
■ FEATURES

- Single-Power-Supply
- Low Input Offset Voltage ($V_{IO}=2mV$ max)
- Wide Operating Voltage ($V_{DD}=1\sim 16V$)
- Wide Output Swing Range ($V_{OM}=2.94V$ typ. @ $V_{DD}=3V$)
- Low Operating Current (15μA/circuit)
- Low Bias Current ($I_B=1pA$ typ.)
- Internal Compensation Capacitor
- External Offset Null Adjustment (Only NJU7051)
- Package Outline
 DIP/DMP/SSOP8 (NJU7051)
 DIP/DMP8 (NJU7052)
 DIP/DMP/SSOP14 (NJU7054)
- C-MOS Technology

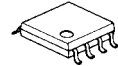
■ PIN CONFIGURATION



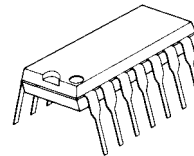
■ PACKAGE OUTLINE



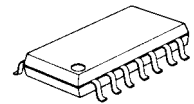
**NJU7051D
NJU7052D**



**NJU7051M
NJU7052M**



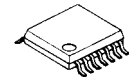
NJU7054D



NJU7054M



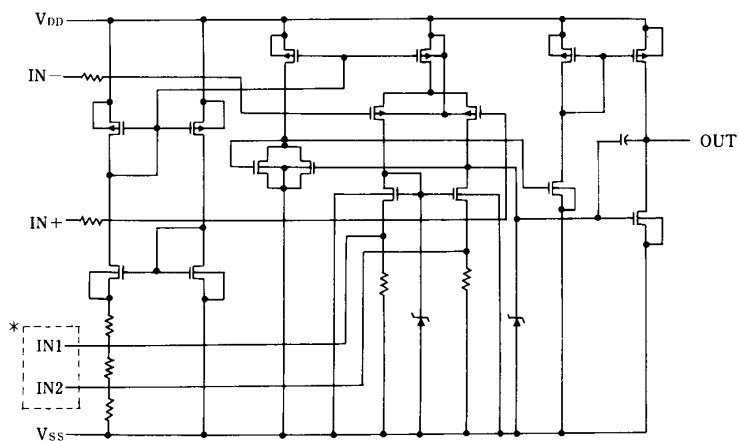
NJU7051V



NJU7054V

NJU7051/52/54

■ EQUIVALENT CIRCUIT



* IN1, IN2 are only for NJU7051 (NJU7052/54 don't have these terminals).

■ ABSOLUTE MAXIMUM RATINGS

(Ta=25°C)

PARAMETER	SYMBOL	RATINGS	UNIT
Supply Voltage	V_{DD}	18	V
Differential Input Voltage	V_{ID}	± 18 (note1)	V
Common Mode Input Voltage	V_{IC}	-0.3~18	V
Power Dissipation	P_D	(DIP14) 700 (DIP8) 500 (DMP8,14) 300 (SSOP8,14) 300	mW
Operating Temperature Range	T_{opr}	-20~+75	°C
Storage Temperature Range	T_{stg}	-40~+125	°C

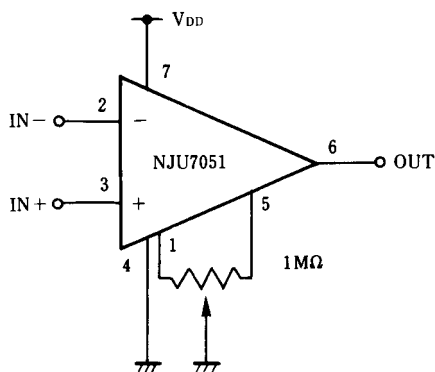
(note1) If the supply voltage (V_{DD}) is less than 18V, the input voltage must not over the V_{DD} level though 18V is limit specified.

■ ELECTRICAL CHARACTERISTICS

(Ta=25°C, $V_{DD}=3V, R_L=\infty$)

PARAMETER	SYMBOL	TEST CONDITION	MIN.	TYP.	MAX.	UNIT
Input Offset Voltage	V_{IO}	$R_S=50\Omega$	-	-	2	mV
Input Offset Current	I_{IO}		-	1	-	pA
Input Bias Current	I_{IB}		-	1	-	pA
Input Impedance	R_{IN}		-	1	-	TΩ
Large Signal Voltage Gain	A_V		80	90	-	dB
Input Common Mode Voltage Range	V_{ICM}		0~2	-	-	V
Maximum Output Swing Voltage	V_{OM}	$R_L=1M\Omega$	2.90	2.94	-	V
Common Mode Rejection Ratio	CMR		60	70	-	dB
Supply Voltage Rejection Ratio	SVR		60	70	-	dB
Operating Current/Circuit	I_{DD}		-	15	25	μA
Slew Rate	SR		-	0.05	-	V/ μs
Unity Gain Bandwidth	F_t	$A_V=40dB, C_L=10pF$	-	0.1	-	MHz

■ OFFSET ADJUSTMENT CIRCUIT (Only For NJU7051)





[CAUTION]

The specifications on this databook are only given for information, without any guarantee as regards either mistakes or omissions. The application circuits in this databook are described only to show representative usages of the product and not intended for the guarantee or permission of any right including the industrial rights.

Looking for pricing, stock, or lifecycle information?

Click below to explore more details on WIN SOURCE:

-  [View NJU7054M on WIN SOURCE](#)
-  [NJR Corporation/NJRC Information](#)

Optimize Your Supply Chain with WIN SOURCE Solutions

-  Global Sourcing Solution
-  Obsolete Management
-  Cost Control Management
-  Shortage Management
-  Alternative Solution
-  Excess Inventory Management