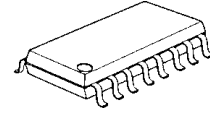


## RF Modulator for UHF Band

### DESCRIPTION

The NJM2259 is a RF modulator IC especially designed for UHF band RF modulator and consists of video clamp circuit, white clip circuit, video AM modulator and audio FM modulator, built into one chip.

### PACKAGE OUTLINE

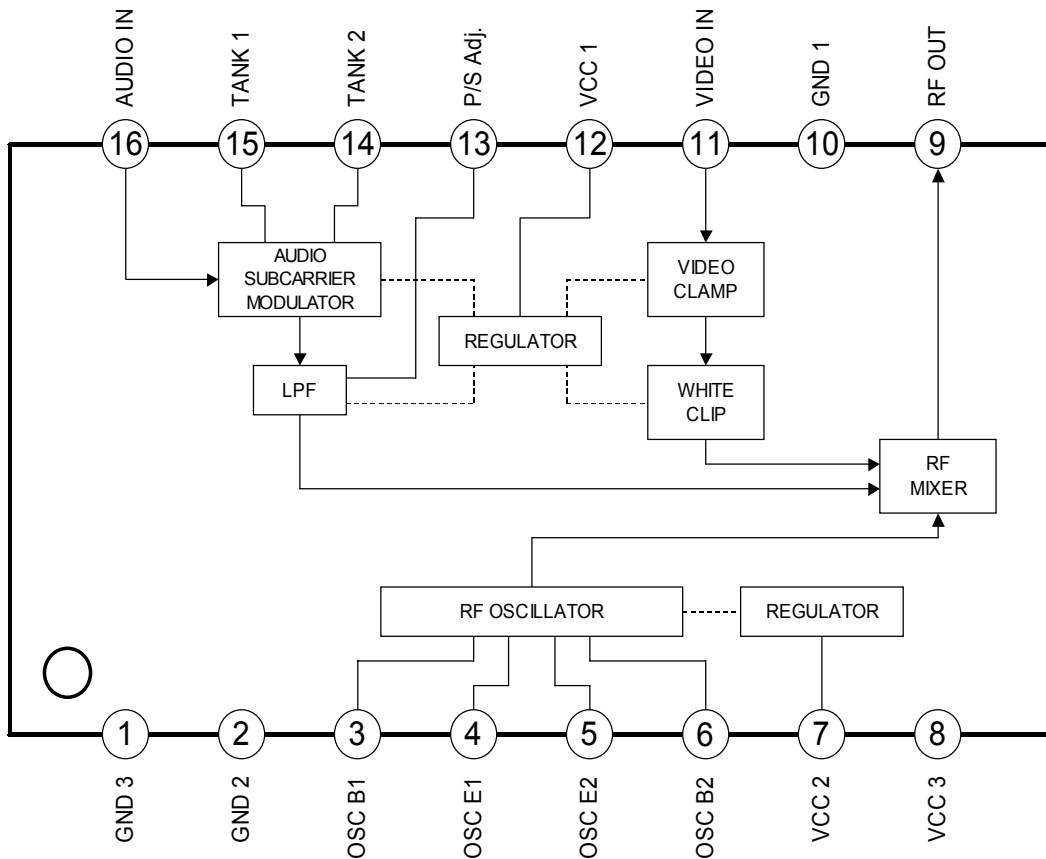


NJM2259M

### FEATURES

- Operating Voltage 5V
- Picture-to-sound ratio is adjustable
- Audio ripple is decreased by two internal regulators
- Audio input circuit with low shock noise
- Carrier-off switch function on chip
- Bipolar Technology
- Package Outline : DMP16

### BLOCK DIAGRAM



## ■ ABSOLUTE MAXIMUM RATINGS

(T<sub>A</sub>=25°C)

Parameter	Symbol	Ratings	Unit
Supply Voltage	V <sub>CC</sub>	7	V
Power Dissipation	P <sub>D</sub>	300	mW
Input Voltage	V <sub>I</sub>	-0.3 to V <sub>CC</sub>	V
Operating Temperature Range	T <sub>opr</sub>	-20 to +75	°C
Storage Temperature Range	T <sub>stg</sub>	-40 to +125	°C

## ■ RECOMMENDED OPERATING VOLTAGE RANGE

(T<sub>A</sub>=25°C)

Parameter	Condition	Symbol	Min.	Typ.	Max.	Unit
Operating Voltage		V <sub>CC</sub>	4.5	5.0	5.5	V

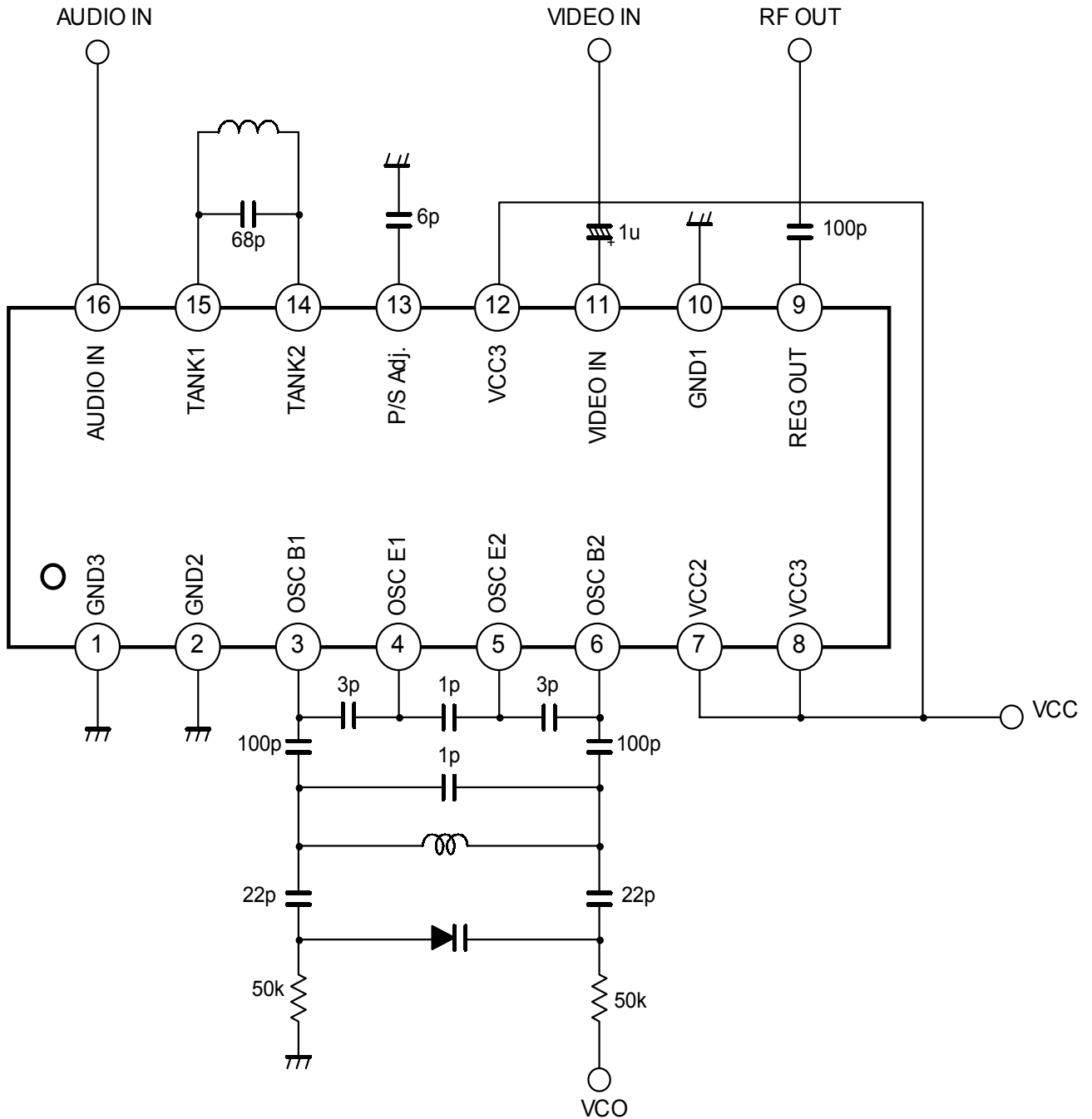
## ■ ELECTRICAL CHARACTERISTICS

(V<sub>CC</sub>=5V, T<sub>A</sub>=25°C)

Parameter	Condition	Symbol	Min.	Typ.	Max.	Unit
Operating Current	No video/audio input signal	I <sub>CC</sub>	18	30	32	mA
Video Output Level (Note 1)	Video input Signal (Pin11)=0.5V <sub>PP</sub>	V <sub>O</sub>	(73)	78	(83)	dBu
Video Modulation Depth (Note 1)	Video input Signal (Pin11)=0.5V <sub>PP</sub>	mp	(60)	75	(90)	%
Video Limiter Modulation Depth (Note 1)	Video input Signal (Pin11)=0.5V <sub>PP</sub>	mpmax	(80)	94	(98)	%
Differential Gain	Video input signal (Pin11)=0.5V <sub>PP</sub> Staircase	DG	-	±3	-	%
Differential Phase	Video input Signal (Pin11)=0.5V <sub>PP</sub> Staircase	DP	-	±3	-	deg
Picture-to-sound Ratio (Note 1)	Video input Signal (Pin11)=0.5V <sub>PP</sub>	PS	(10)	13	(16)	dB
Sound FM Modulation Depth (Note 1)	Audio input Signal (Pin16)=70mV <sub>PP</sub> 100%=±50kHz dev.	ms	(85)	100	(115)	%
Audio Distortion	ms=100%, 1kHz sine wave	THD	-	0.3	-	%
Audio Signal-to-noise Ratio	ms=100%, 1kHz sine wave Video input Signal (Pin11)=1V <sub>PP</sub>	ASN	-	60	-	dB
Maximum Sound FM Modulation	Audio input Signal (Pin16)=500mV <sub>PP</sub> 1kHz sine wave	msmax	-	700	-	%

(Note 1) Because AC characteristics largely depends on application circuit, DC test is applied these parameters.

## ■ TEST CIRCUIT



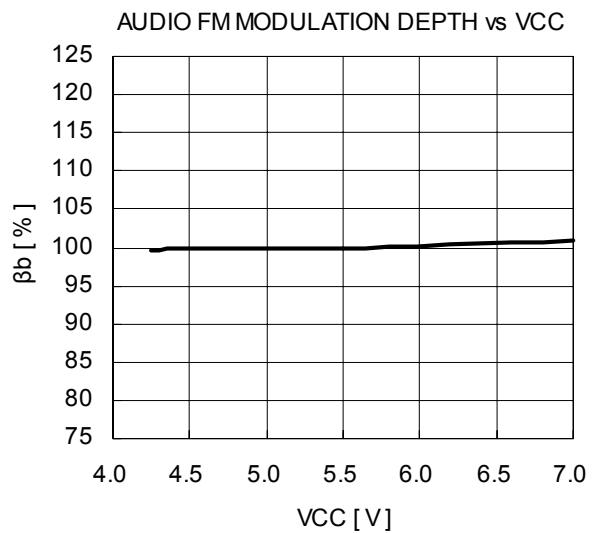
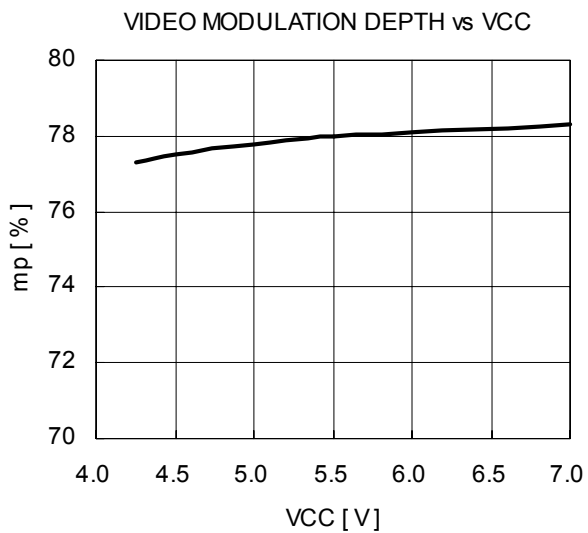
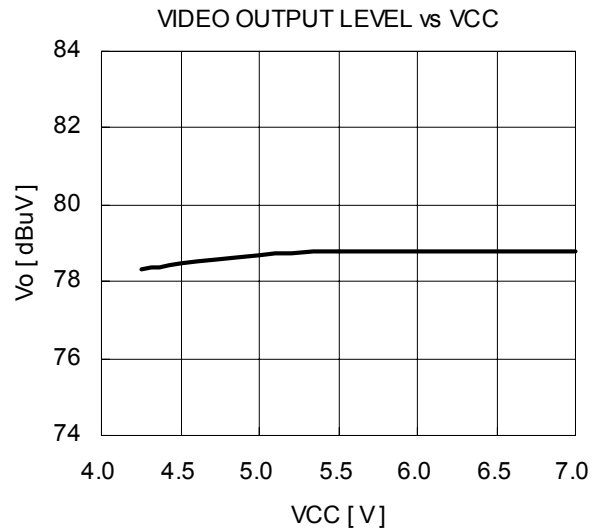
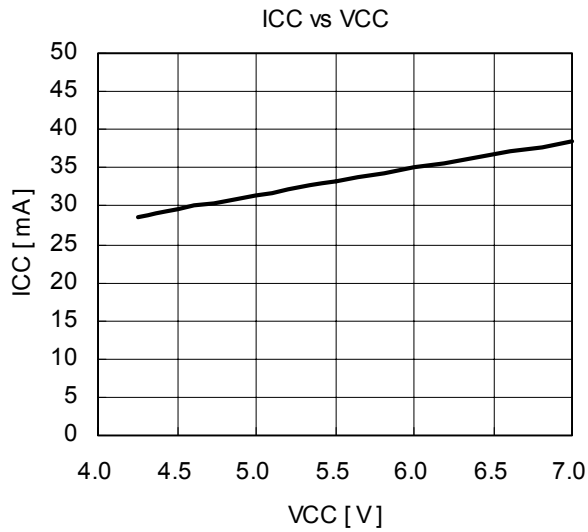
## ■ TERMINAL CHARACTERISTICS

No.	Symbol	Typ. DC Voltage (V)	Equivalent Circuit	Function
1	GND 3	-		GND for RF OSC AMP
2	GND 2	-		GND for RF OSC
3 4 5 6	OSC B1 OSC E1 OSC E2 OSC B2	2.55 1.75 1.75 2.55		RF Oscillator
7	VCC 2	-		RF OSC Regulator Power Supply
8	VCC 3	-		RF Mixer Power Supply
9	RF OUT	3.95		RF Mixer Output
10	GND 1	-		GND Terminal except for RF Oscillator
11	VIDEO IN	1.70		Video Signal Input

No.	Symbol	Typ. DC Voltage (V)	Equivalent Circuit	Function
12	VCC 1	-		Power Supply
13	P/S Adj.	3.55 TANK 1: H		Picture-to-sound Ratio Adjust
		2.80 TANK 1: L		Sound FM Modulation Circuit
14	TANK 2	H : 3.60 L : 2.85		
15	TANK 1	H : 3.60 L : 2.85		
16	AUDIO IN	-		Audio Signal Input

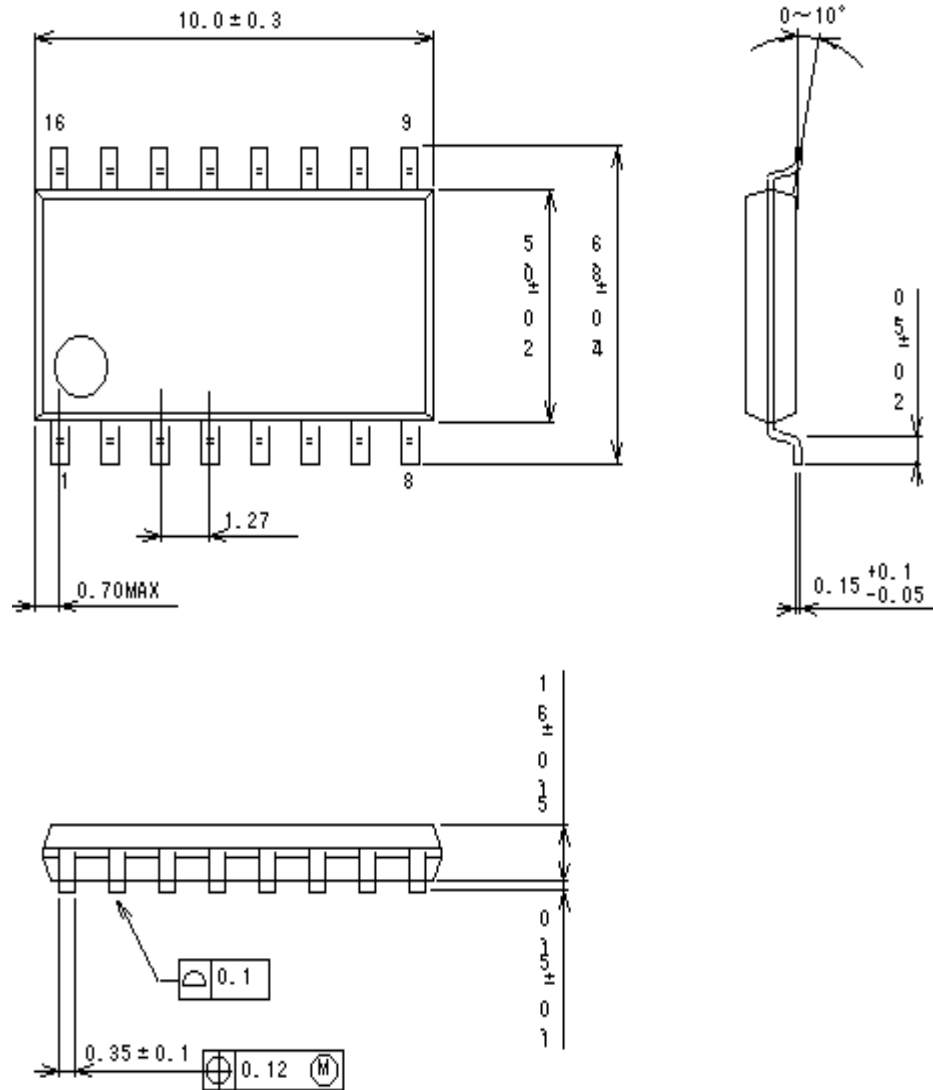
## ■ TYPICAL CHARACTERISTICS

$T_A=25^\circ\text{C}$



## ■ OUTLINE DRAWING

DMP16



**[CAUTION]**

The specifications on this databook are only given for information, without any guarantee as regards either mistakes or omissions. The application circuits in this databook are described only to show representative usages of the product and not intended for the guarantee or permission of any right including the industrial rights.

## Looking for pricing, stock, or lifecycle information?

Click below to explore more details on WIN SOURCE:

- ⊖ [View NJM2259M-TE1-#ZZZB on WIN SOURCE](#)
- ⊖ [NJR Corporation/NJRC Information](#)

## Optimize Your Supply Chain with WIN SOURCE Solutions

- ✓ Global Sourcing Solution
- ✓ Obsolete Management
- ✓ Cost Control Management
- ✓ Shortage Management
- ✓ Alternative Solution
- ✓ Excess Inventory Management