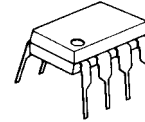


LOW VOLTAGE AUDIO POWER AMPLIFIER

■ GENERAL DESCRIPTION

The NJM2135 is a Low voltage audio power amplifier for speaker drivers. No external coupling capacitors are required because of the differential output. The closed loop gain is adjusted by two external resistors. The low supply current in power down mode contributes to the reduction of power consumption of portable battery powered equipment, cellular phones, for example.

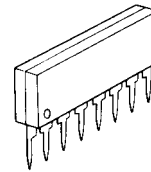
■ PACKAGE OUTLINE



NJM2135D



NJM2135M



NJM2135L



NJM2135V

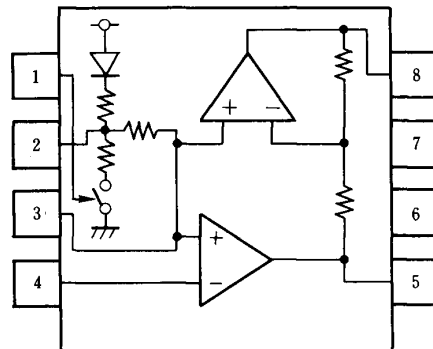


NJM2135R

■ FEATURES

- Operating Voltage (+2V~+16V)
- Low Operating Current in Power Down Mode (0.1 μ A typ.)
- Low Operating Current in Normal Operation Mode (2.7mA typ.)
- Output Power Exceeds 250mW ($V^+=6V, R_L=32\Omega$)
- Gain Range (GVD=0~43dB, Voice Band)
- Load Impedance (8~200 Ω)
- Bipolar Technology
- Package Outline DIP8, DMP8, SIP8, SSOP8, VSP8

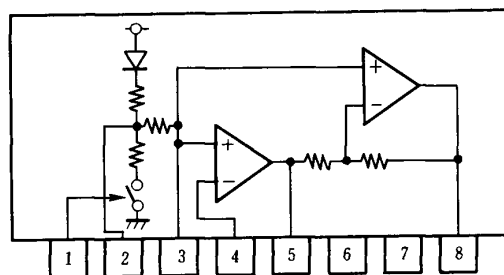
■ PIN CONFIGURATION



NJM2135D
NJM2135M
NJM2135V
NJM2135R

PIN FUNCTION

1. CD
2. V_{REF1}
3. V_{REF2}
4. $-V_{IN}$
5. V_{OUT1}
6. V^+
7. GND
8. V_{OUT2}



NJM2135L

NJM2135

■ ABSOLUTE MAXIMUM RATINGS

(Ta=25°C)

PARAMETER	SYMBOL	RATINGS	UNIT
Supply Voltage	V^+	+18	V
Output Peak Current	I_{OP}	± 250	mA
Maximum Input Voltage	V_{IN} (1-4pin)	$-0.3, V^+ + 0.3$	V
	V_{IN} (5-8pin)	$-0.3, V^+ + 0.3$ (In power down)	V
Power Dissipation	P_D	(DIP8) 500	mW
		(SIP8) 800	
		(DMP8) 500 (note1)	
		(SSOP8) 360 (note1)	
		(VSP8) 320	
Operating Temperature Range	T_{opr}	$-20 \sim +75$	°C
Storage Temperature Range	T_{stg}	$-40 \sim +125$	°C

(note1) Mounted on PC Board

■ ELECTRICAL CHARACTERISTICS

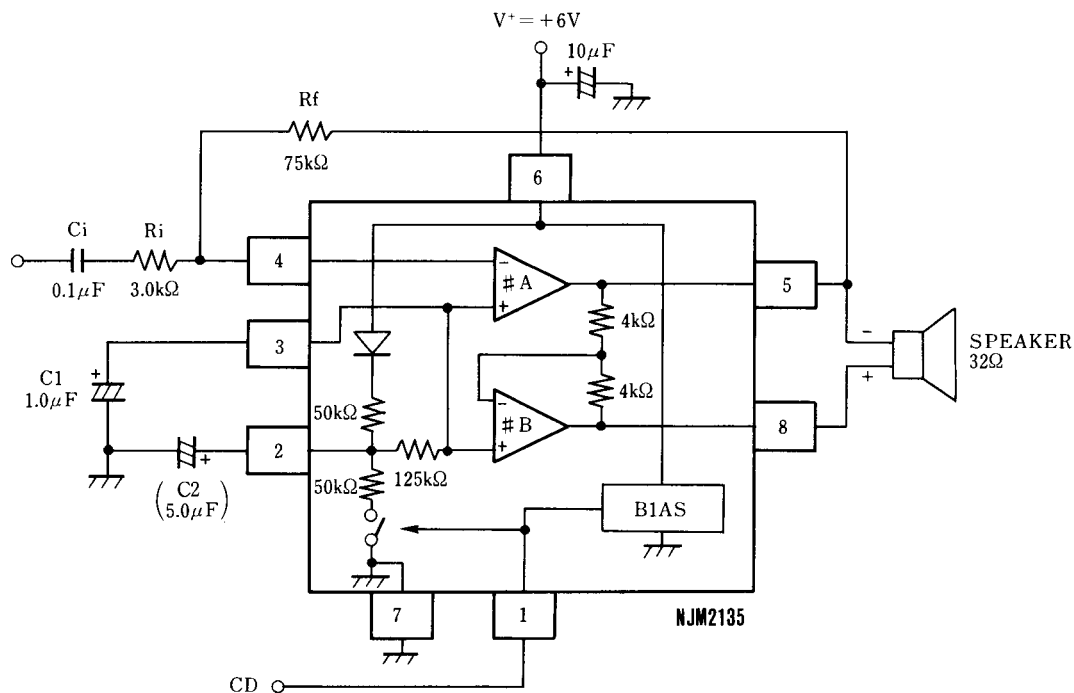
($V^+=6.0V, Ta=25^\circ C$ unless otherwise specified)

PARAMETER	SYMBOL	TEST CONDITIONS	MIN.	TYP.	MAX.	UNIT
Operating Current (NO SIGNAL) (At Power Down Mode)	I_{CC1}	$V^+=3.0V, R_L=\infty, 1pin=2.0V$	-	2.7	4.0	mA
	I_{CC2}	$V^+=16.0V, R_L=\infty, 1pin=2.0V$	-	3.4	5.0	mA
	I_{CCD}	$V^+=3.0V, R_L=\infty, 1pin=0.8V$	-	0.1	1.0	μA
Open Loop Gain	A_{v1}	AMP#A, $f < 100Hz$	77	83	-	dB
Closed Loop Gain	A_{v2}	AMP#B, $f=1kHz, R_L=32\Omega$	-0.35	-	+0.35	dB
Output Power (note2)	P_{O1}	$V^+=3.0V, R_L=16\Omega, THD \leq 10\%$	55	-	-	mW
	P_{O2}	$V^+=6.0V, R_L=32\Omega, THD \leq 10\%$	250	-	-	mW
	P_{O3}	$V^+=12.0V, R_L=100\Omega, THD \leq 10\%$ (note3)	400	-	-	mW
Total Harmonic Distortion ($f=1kHz$)	THD1	$V^+=6V, R_L=32\Omega, P_O=125mW, G_{VD}=34dB$	-	0.5	1.0	%
	THD2	$V^+ \geq 3V, R_L=8\Omega, P_O=20mW, G_{VD}=12dB$	-	0.5	-	%
	THD3	$V^+ \geq 12V, R_L=32\Omega, P_O=200mW, G_{VD}=34dB$	-	0.6	-	%
Power Supply Rejection Ratio ($V^+=6.0V, \Delta V^+=3.0V$)	PSRR1	$C1=\infty, C2=0.01\mu F, DC$	50	-	-	dB
	PSRR2	$C1=0.1\mu F, C2=0, f=1kHz$	-	12	-	dB
	PSRR3	$C1=1.0\mu F, C2=5.0\mu F, f=1kHz$	-	52	-	dB
Mute Attenuation	MAT	$f=1kHz \sim 20kHz, 1pin=2.0V$	-	70	-	dB
Output Voltage ($R_f=75k\Omega, DC$)	V_{O1}	$V^+=3.0V, R_L=16\Omega$	1.00	1.15	1.25	V
	V_{O2}	$V^+=6.0V$	-	2.55	-	V
	V_{O3}	$V^+=12.0V$	-	5.45	-	V
Output High Level	V_{OH}	$I_{OUT}=-75mA, V^+=2.0 \sim 16.0V$	-	$V^+-1.1$	-	V
Output Low Level	V_{OL}	$I_{OUT}=75mA, V^+=2.0 \sim 16.0V$	-	0.21	-	V
Output DC Offset	ΔV_O	$R_f=75k\Omega, R_L=32\Omega, 5pin \sim 8pin$	-30	0	+30	mV
Input Bias Current	I_B	4pin	-	-30	-200	nA
Equivalent Resistance	R_{+IN}	3pin	100	150	220	k Ω
	R_{REF}	2pin	18	25	40	k Ω
CD Input Voltage H	V_{CDH}	1pin	2.0	-	V^+	V
CD Input Voltage L	V_{CDL}	1pin	0.0	-	0.8	V
CD Input Resistance	R_{CD}	$V^+=V_{CD}=16.0V, 1pin$	50	90	175	k Ω

(note2) NJM2135M, NJM2135V, NJM2135R : Mounted on PC Board

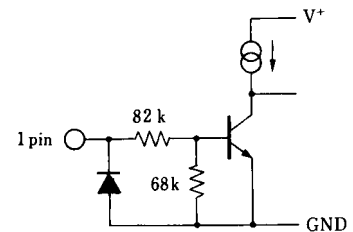
(note3) NJM2135V, NJM2135R is excluded

APPLICATION CIRCUIT



(note)

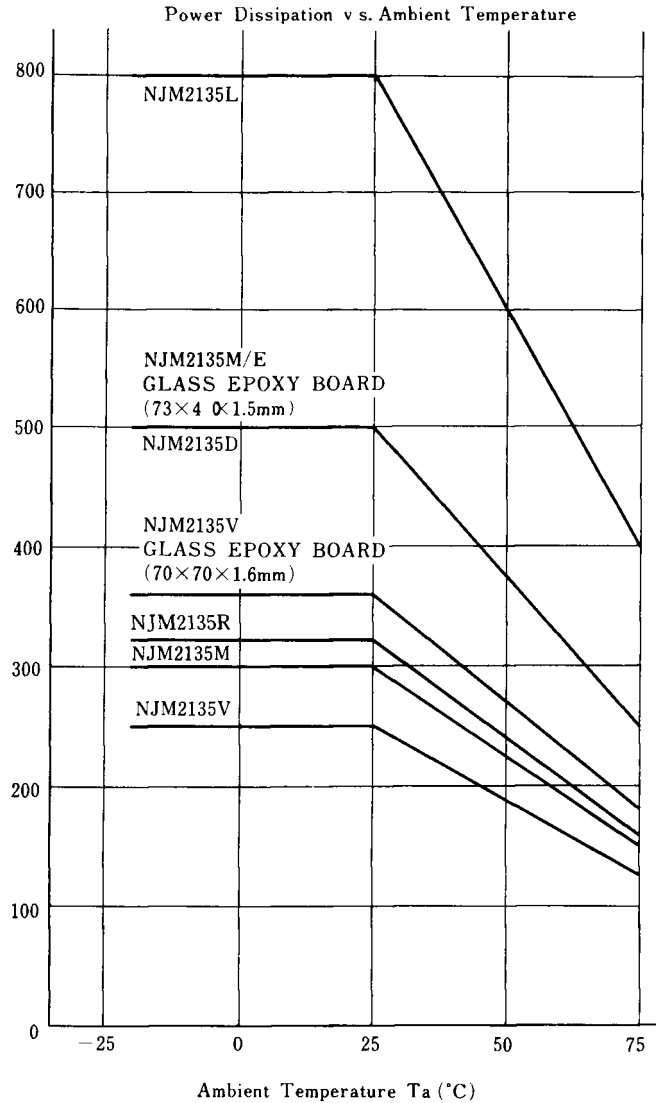
1. The NJM2135 is active mode during the CD terminal is High level ($>2.0V$) and it is stand-by mode during the CD terminal is Low level ($<0.8V$).
2. C1 and C2 improve power supply rejection ratio.
In case of C1 is enough large, C2 is unnecessary.
3. Please note that the C1 and C2 make slow power rise up to the NJM2135 regardless the external power supply condition.
4. Input current flow on the internal resistor shown in the equivalent circuit of CD terminal.
5. No snubber resistor and capacitor are required normally. But the snubber resistor and capacitor are required if the NJM2135 oscillates by condition of PCB layout, stray capacitor and speaker wire length.
6. When the NJM2135 change the mode to active or stand-by the CD terminal ON/OFF, the actual operation takes some delay by the charge and discharge of C1, C2.
7. When the power turns on in stand-by mode, the NJM2135 operates during charging time of C1 and C2.
8. If the supply voltage fluctuate large during the stand-by mode, the mode of active and stand-by of NJM2135 becomes unstable.



NJM2135

■ POWER DISSIPATION



The allowable power is restricted by the ambient temperature. Characteristics of the allowable power (PD : Power Dissipation) against ambient temperature is indicated below.



[CAUTION]
 The specifications on this databook are only given for information, without any guarantee as regards either mistakes or omissions. The application circuits in this databook are described only to show representative usages of the product and not intended for the guarantee or permission of any right including the industrial rights.

Looking for pricing, stock, or lifecycle information?

Click below to explore more details on WIN SOURCE:

-  [View NJM2135M\(TE2\) on WIN SOURCE](#)
-  [NJR Corporation/NJRC Information](#)

Optimize Your Supply Chain with WIN SOURCE Solutions

-  Global Sourcing Solution
-  Obsolete Management
-  Cost Control Management
-  Shortage Management
-  Alternative Solution
-  Excess Inventory Management