



**THE DATASHEET OF  
NCP4543IMN5RG**



# NCP4543

## ecoSwitch™ Advanced Load Management Controlled Load Switch with Low R<sub>ON</sub>

The NCP4543 load switch provides a component and area-reducing solution for efficient power domain switching with inrush current limit via soft start. It is designed to integrate control and driver functionality with a high performance low on-resistance power MOSFET in a single device. This cost effective solution is ideal for power management and hot-swap applications requiring low power consumption in a small footprint.

### Features

- Advanced Controller with Charge Pump
- Integrated N-Channel MOSFET with ESD Protection
- Soft-Start via Adjustable Slew Rate Control
- Low On-Resistance
- Input Voltage Range 0.5 V to 6 V
- Low Standby Current
- Load Bleed Function
- No External Components Required
- Enable Pins with CMOS Input Levels
- This is a Pb-Free Device

### Typical Applications

- Notebook and Tablet Computers
- Handheld Electronics
- Digital Cameras
- Portable Medical Devices
- Hard Drives
- Peripheral Ports

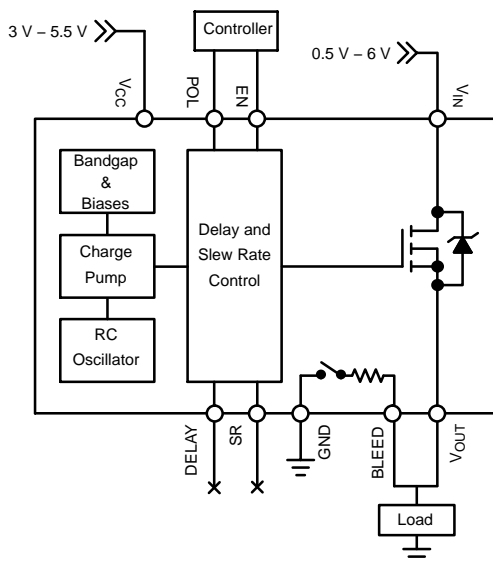


Figure 1. Typical Application – No external components included



ON Semiconductor®

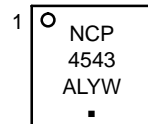
[www.onsemi.com](http://www.onsemi.com)

| R <sub>ON</sub> TYP | V <sub>CC</sub> | V <sub>IN</sub> | I <sub>MAX</sub> |
|---------------------|-----------------|-----------------|------------------|
| 10.2 mΩ             | 5.0 V           | 1.8 V           | 7.3 A            |
| 12.2 mΩ             | 3.3 V           | 5.0 V           |                  |



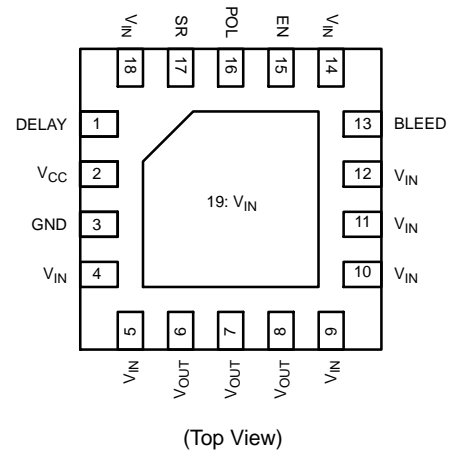
QFN18, 3x3  
CASE 485BF

### MARKING DIAGRAM



- A = Assembly Location
- L = Wafer Lot
- Y = Year
- W = Work Week
- = Pb-Free Package

### PIN CONFIGURATION



### ORDERING INFORMATION

| Device          | Package            | Shipping†             |
|-----------------|--------------------|-----------------------|
| NCP4543IMN5RG-A | QFN18<br>(Pb-Free) | 3000 /<br>Tape & Reel |

†For information on tape and reel specifications, including part orientation and tape sizes, please refer to our Tape and Reel Packaging Specifications Brochure, BRD8011/D.

# NCP4543

## PIN DESCRIPTION

| Pin                    | Name             | Function  |    |     |        |   |   |    |   |   |     |   |   |     |   |   |    |
|------------------------|------------------|---|----|-----|--------|---|---|----|---|---|-----|---|---|-----|---|---|----|
| 1                      | DELAY            | Turn-on delay adjustment  |    |     |        |   |   |    |   |   |     |   |   |     |   |   |    |
| 2                      | V <sub>CC</sub>  | Supply voltage to controller (3.0 V – 5.5 V)  |    |     |        |   |   |    |   |   |     |   |   |     |   |   |    |
| 3                      | GND              | Controller ground   |    |     |        |   |   |    |   |   |     |   |   |     |   |   |    |
| 4, 5, 9–12, 14, 18, 19 | V <sub>IN</sub>  | Drain of MOSFET (0.5 V – 6.0 V)   |    |     |        |   |   |    |   |   |     |   |   |     |   |   |    |
| 6–8                    | V <sub>OUT</sub> | Source of MOSFET connected to load  |    |     |        |   |   |    |   |   |     |   |   |     |   |   |    |
| 13                     | BLEED            | Load bleed connection   |    |     |        |   |   |    |   |   |     |   |   |     |   |   |    |
| 15                     | EN               | Digital input used to turn on the MOSFET according to this truth table:<br><table border="1" style="margin-left: 20px;"> <thead> <tr> <th>EN</th> <th>POL</th> <th>MOSFET</th> </tr> </thead> <tbody> <tr> <td>0</td> <td>0</td> <td>On</td> </tr> <tr> <td>0</td> <td>1</td> <td>Off</td> </tr> <tr> <td>1</td> <td>0</td> <td>Off</td> </tr> <tr> <td>1</td> <td>1</td> <td>On</td> </tr> </tbody> </table> | EN | POL | MOSFET | 0 | 0 | On | 0 | 1 | Off | 1 | 0 | Off | 1 | 1 | On |
| EN                     | POL              | MOSFET  |    |     |        |   |   |    |   |   |     |   |   |     |   |   |    |
| 0                      | 0                | On  |    |     |        |   |   |    |   |   |     |   |   |     |   |   |    |
| 0                      | 1                | Off   |    |     |        |   |   |    |   |   |     |   |   |     |   |   |    |
| 1                      | 0                | Off   |    |     |        |   |   |    |   |   |     |   |   |     |   |   |    |
| 1                      | 1                | On  |    |     |        |   |   |    |   |   |     |   |   |     |   |   |    |
| 16                     | POL              | EN has an internal pull down resistor to GND<br>POL has an internal pull up resistor to V <sub>CC</sub>   |    |     |        |   |   |    |   |   |     |   |   |     |   |   |    |
| 17                     | SR               | Slew rate adjustment  |    |     |        |   |   |    |   |   |     |   |   |     |   |   |    |

## ABSOLUTE MAXIMUM RATINGS

| Rating  | Symbol             | Value                           | Unit       |
|---|--------------------|---------------------------------|------------|
| Supply Voltage Range  | V <sub>CC</sub>    | –0.3 to 6                       | V          |
| Input Voltage Range   | V <sub>IN</sub>    | –0.3 to 6                       | V          |
| Output Voltage Range  | V <sub>OUT</sub>   | –0.3 to 6                       | V          |
| EN/POL Digital Input Range  | V <sub>EN</sub>    | –0.3 to (V <sub>CC</sub> + 0.3) | V          |
| Thermal Resistance, Junction-to-Air (Note 1)  | R <sub>θJA</sub>   | 49.5                            | °C/W       |
| Thermal Resistance, Junction-to-Air (Note 2)  | R <sub>θJA</sub>   | 32.9                            | °C/W       |
| Thermal Resistance, Junction-to-Case (V <sub>IN</sub> Paddle)   | R <sub>θJC</sub>   | 3.6                             | °C/W       |
| Continuous MOSFET Current (Note 3)  | I <sub>MAX</sub>   | 7.3                             | A          |
| Total Power Dissipation @ T <sub>A</sub> = 25°C (Notes 1 and 4)<br>Derate above T <sub>A</sub> = 25°C | P <sub>D</sub>     | 1.31<br>20.2                    | W<br>mW/°C |
| Total Power Dissipation @ T <sub>A</sub> = 25°C (Notes 2 and 4)<br>Derate above T <sub>A</sub> = 25°C | P <sub>D</sub>     | 1.98<br>30.4                    | W<br>mW/°C |
| Storage Temperature Range   | T <sub>STG</sub>   | –40 to 150                      | °C         |
| Lead Temperature, Soldering (10 sec.)   | T <sub>SLD</sub>   | 260                             | °C         |
| ESD Capability, Human Body Model (Note 5)   | ESD <sub>HBM</sub> | 3.5                             | kV         |
| ESD Capability, Machine Model (Note 5)  | ESD <sub>MM</sub>  | 200                             | V          |
| ESD Capability, Charged Device Model (Note 5)   | ESD <sub>CDM</sub> | 1                               | kV         |
| Latch-up Current Immunity (Note 5)  | LU                 | 100                             | mA         |

Stresses exceeding those listed in the Maximum Ratings table may damage the device. If any of these limits are exceeded, device functionality should not be assumed, damage may occur and reliability may be affected.

- Surface-mounted on FR4 board using the minimum recommended pad size, 1 oz Cu.
- Surface-mounted on FR4 board using 1 sq-in pad, 1 oz Cu.
- Current limited by package.
- Specified for derating purposes only, ensure that I<sub>MAX</sub> is never exceeded.
- Tested by the following methods @ T<sub>A</sub> = 25°C:  
 ESD Human Body Model tested per AEC-Q100-002 (EIA/JESD22-A114)  
 ESD Machine Model tested per EIA/JESD22-A115  
 ESD Charged Device Model per ESD-STM5.3.1-1999  
 Latch-up Current Maximum Rating: ≤100 mA per JEDEC standard: JESD78

# NCP4543

## RECOMMENDED OPERATING RANGES

| Rating               | Symbol   | Min | Max | Unit |
|----------------------|----------|-----|-----|------|
| Supply Voltage       | $V_{CC}$ | 3   | 5.5 | V    |
| Input Voltage        | $V_{IN}$ | 0.5 | 6   | V    |
| Ground               | GND      |     | 0   | V    |
| Ambient Temperature  | $T_A$    | 0   | 70  | °C   |
| Junction Temperature | $T_J$    | 0   | 90  | °C   |

Functional operation above the stresses listed in the Recommended Operating Ranges is not implied. Extended exposure to stresses beyond the Recommended Operating Ranges limits may affect device reliability.

## ELECTRICAL CHARACTERISTICS ( $T_J = 25^\circ\text{C}$ unless otherwise specified)

| Parameter | Test Conditions | Symbol | Min | Typ | Max | Unit |
|-----------|-----------------|--------|-----|-----|-----|------|
|-----------|-----------------|--------|-----|-----|-----|------|

### MOSFET

|                          |  |            |  |      |      |               |
|--------------------------|--|------------|--|------|------|---------------|
| On-Resistance            | $V_{CC} = 5.0\text{ V}; V_{IN} = 1.8\text{ V}$               | $R_{ON}$   |  | 10.2 | 13   | m $\Omega$    |
|                          | $V_{CC} = 5.0\text{ V}; V_{IN} = 5.0\text{ V}$               |            |  | 10.5 | 13.5 |               |
|                          | $V_{CC} = 3.3\text{ V}; V_{IN} = 1.8\text{ V}$               |            |  | 11   | 14   |               |
|                          | $V_{CC} = 3.3\text{ V}; V_{IN} = 5.0\text{ V}$               |            |  | 12.2 | 16   |               |
| Leakage Current (Note 6) | $V_{EN} = 0\text{ V}; V_{POL} = V_{CC}; V_{IN} = 6\text{ V}$ | $I_{LEAK}$ |  | 0.02 | 1.0  | $\mu\text{A}$ |

### CONTROLLER

|                                 |  |             |     |     |     |               |
|---------------------------------|--|-------------|-----|-----|-----|---------------|
| Supply Standby Current (Note 7) | $V_{EN} = 0\text{ V}; V_{POL} = V_{CC} = 5.5\text{ V}$ | $I_{STBY}$  |     | 5.0 | 15  | $\mu\text{A}$ |
| Supply Dynamic Current (Note 8) | $V_{EN} = V_{POL} = V_{CC}$                            | $I_{DYN}$   |     | 250 | 500 | $\mu\text{A}$ |
| Bleed Resistance                |  | $R_{BLEED}$ | 50  | 100 | 200 | $\Omega$      |
| Input High Voltage – EN & POL   |  | $V_{IH}$    | 2.0 |     |     | V             |
| Input Low Voltage – EN & POL    |  | $V_{IL}$    |     |     | 0.8 | V             |
| Pull Down Resistance – EN       |  | $R_{PD}$    | 40  | 100 | 180 | k $\Omega$    |
| Pull Up Resistance – POL        |  | $R_{PU}$    | 40  | 100 | 180 | k $\Omega$    |

Product parametric performance is indicated in the Electrical Characteristics for the listed test conditions, unless otherwise noted. Product performance may not be indicated by the Electrical Characteristics if operated under different conditions.

6. Average current from  $V_{IN}$  to  $V_{OUT}$  with MOSFET turned off.

7. Average current from  $V_{CC}$  to GND with MOSFET turned off.

8. Average current from  $V_{CC}$  to GND after charge up time of MOSFET.

# NCP4543

## SWITCHING CHARACTERISTICS ( $T_J = 25^\circ\text{C}$ unless otherwise specified, Note 9)

| Parameter   | Test Conditions                               | Symbol    | Min | Typ | Max | Unit          |
|---|---|-----------|-----|-----|-----|---------------|
| $V_{CC} = 5.0\text{ V}$ , $V_{IN} = 1.8\text{ V}$ |   |           |     |     |     |               |
| Output Slew Rate                                  | $R_L = 10\ \Omega$ , $C_L = 0.1\ \mu\text{F}$ | SR        |     | 8.1 |     | kV/s          |
| Output Turn-on Delay                              | $R_L = 10\ \Omega$ , $C_L = 0.1\ \mu\text{F}$ | $T_{ON}$  |     | 540 |     | $\mu\text{s}$ |
| Output Turn-off Delay                             | $R_L = 10\ \Omega$ , $C_L = 0.1\ \mu\text{F}$ | $T_{OFF}$ |     | 1.2 |     | $\mu\text{s}$ |
| $V_{CC} = 3.3\text{ V}$ , $V_{IN} = 5.0\text{ V}$ |   |           |     |     |     |               |
| Output Slew Rate                                  | $R_L = 10\ \Omega$ , $C_L = 0.1\ \mu\text{F}$ | SR        |     | 8.5 |     | kV/s          |
| Output Turn-on Delay                              | $R_L = 10\ \Omega$ , $C_L = 0.1\ \mu\text{F}$ | $T_{ON}$  |     | 670 |     | $\mu\text{s}$ |
| Output Turn-off Delay                             | $R_L = 10\ \Omega$ , $C_L = 0.1\ \mu\text{F}$ | $T_{OFF}$ |     | 0.8 |     | $\mu\text{s}$ |

9. See below figure for Test Circuit and Timing Diagrams.

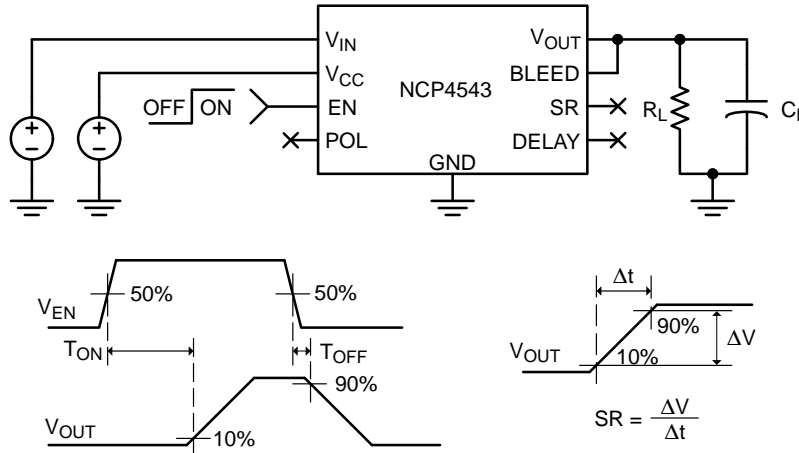


Figure 2. Test Circuit and Timing Diagrams

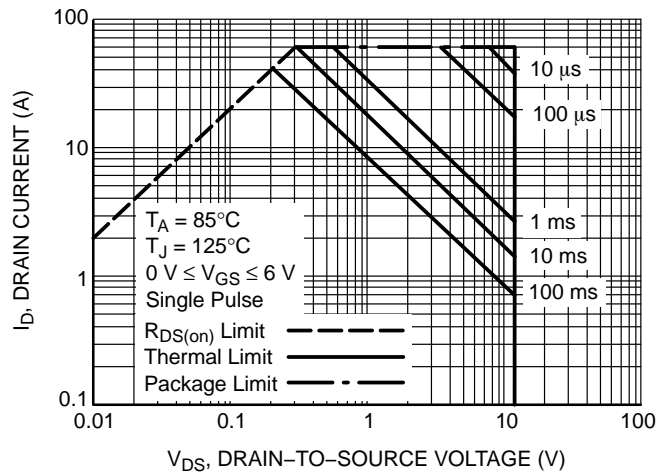


Figure 3. Maximum Rated Forward Biased Safe Operating Area

TYPICAL CHARACTERISTICS

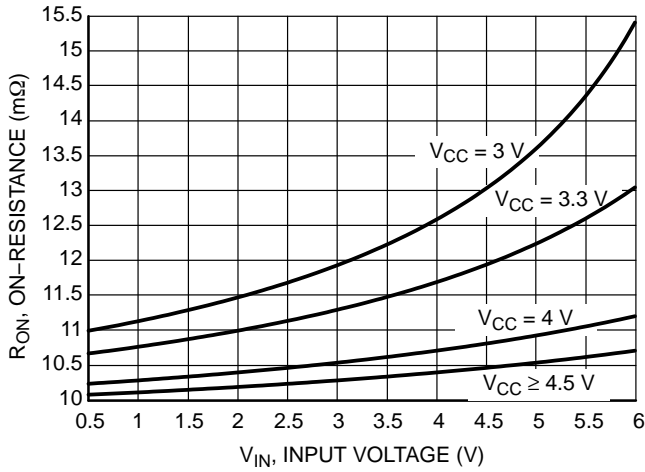


Figure 4. On-Resistance vs. Input Voltage

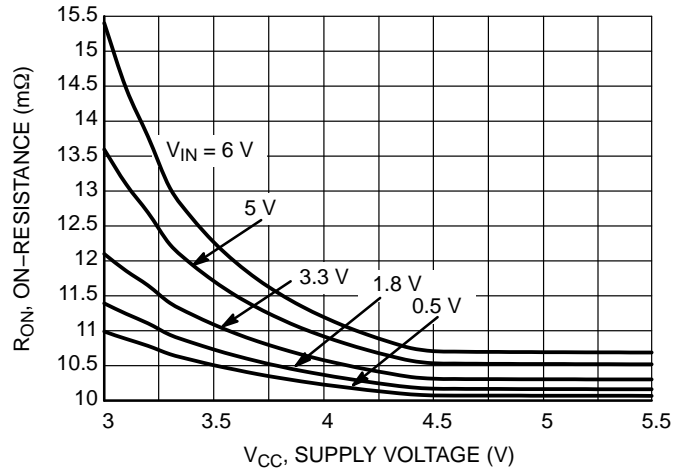


Figure 5. On-Resistance vs. Supply Voltage

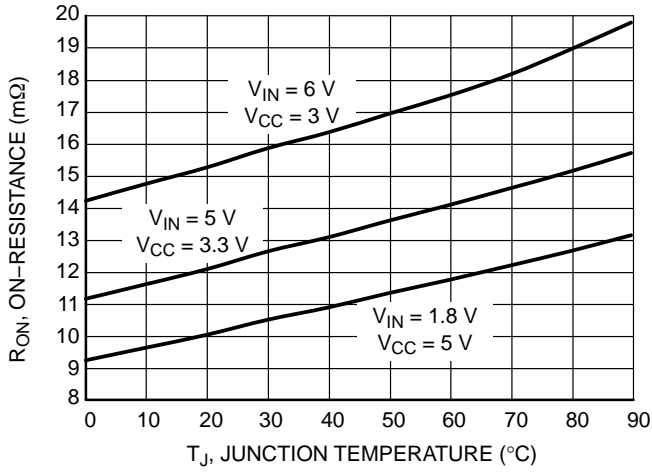


Figure 6. On-Resistance vs. Temperature

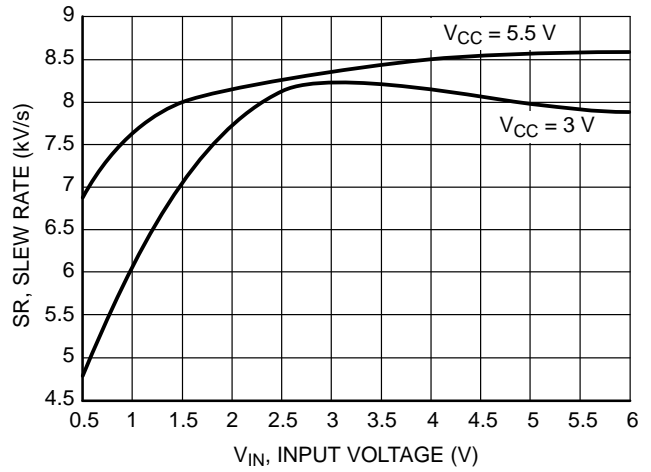


Figure 7. Slew Rate vs. Input Voltage

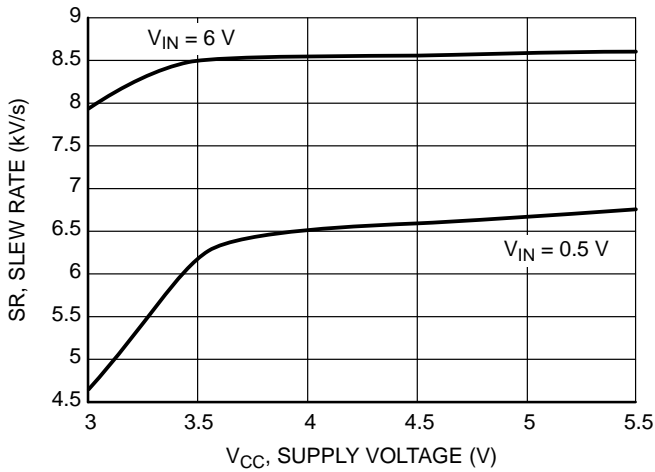


Figure 8. Slew Rate vs. Supply Voltage

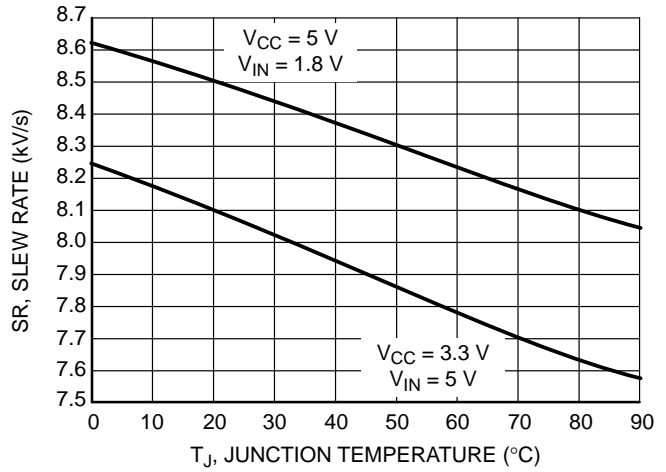


Figure 9. Slew Rate vs. Temperature

TYPICAL CHARACTERISTICS

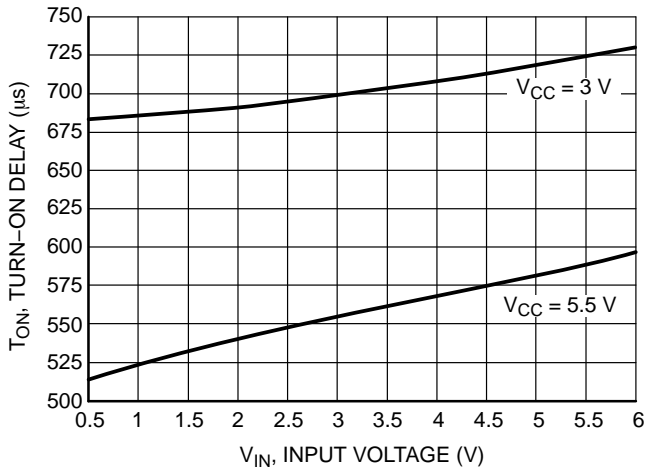


Figure 10. Turn-On Delay vs. Input Voltage

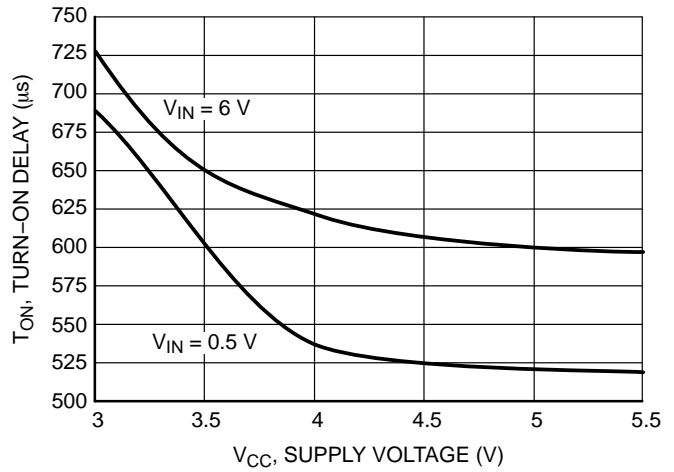


Figure 11. Turn-On Delay vs. Supply Voltage

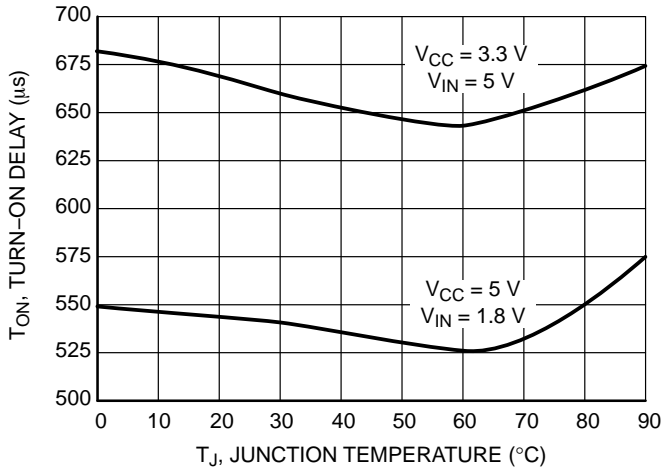


Figure 12. Turn-On Delay vs. Temperature

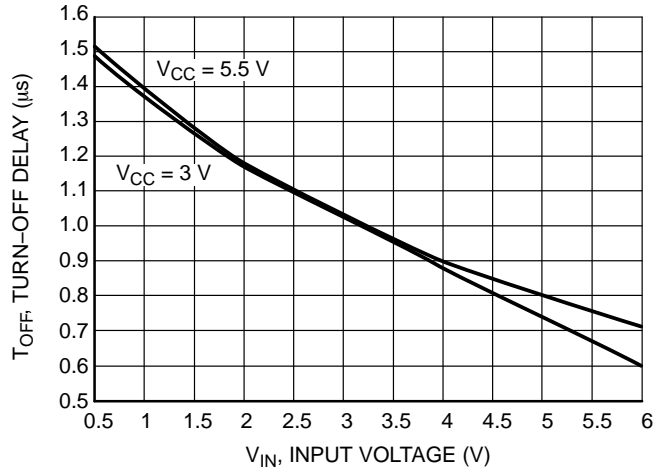


Figure 13. Turn-Off Delay vs. Input Voltage

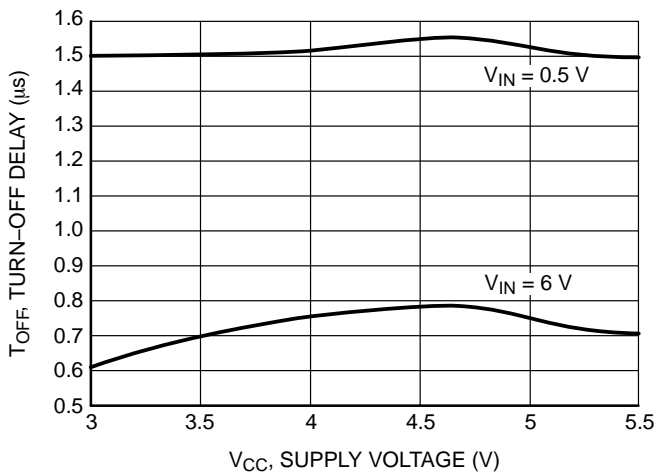


Figure 14. Turn-Off Delay vs. Supply Voltage

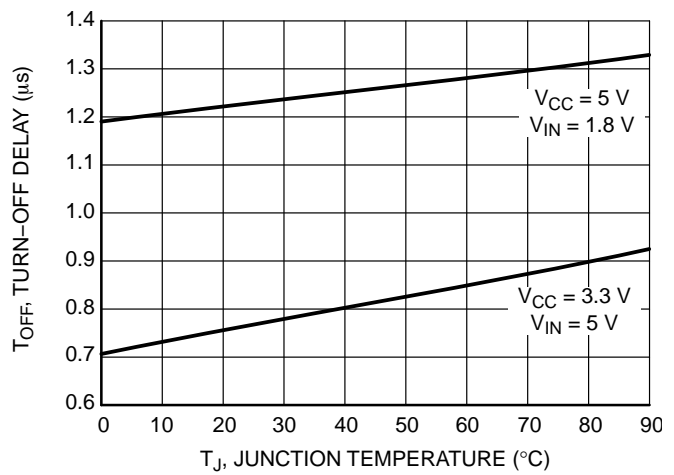
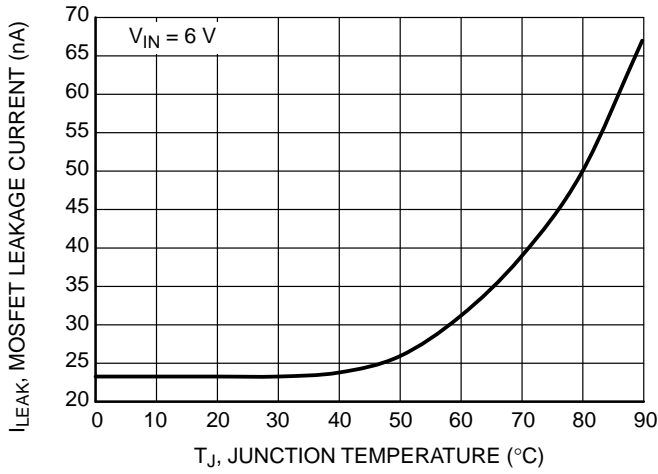


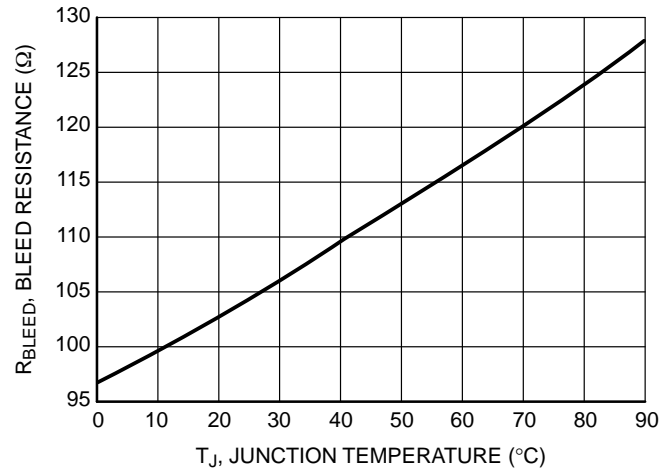
Figure 15. Turn-Off Delay vs. Temperature

# NCP4543

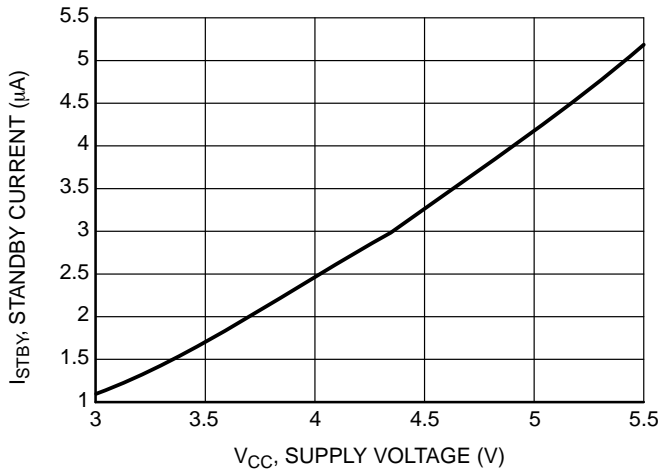
## TYPICAL CHARACTERISTICS



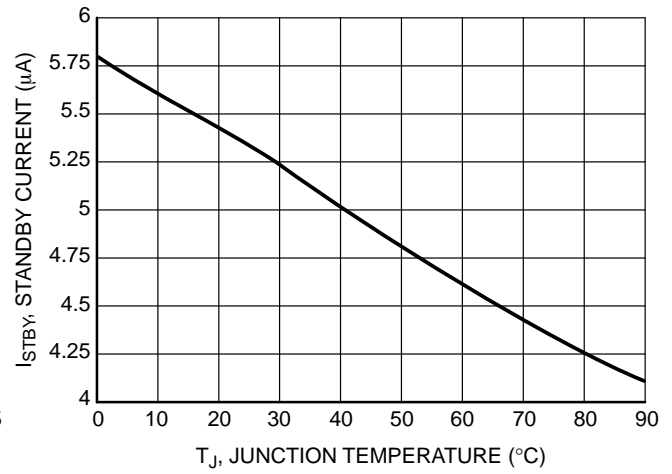
**Figure 16. MOSFET Leakage Current vs. Temperature**



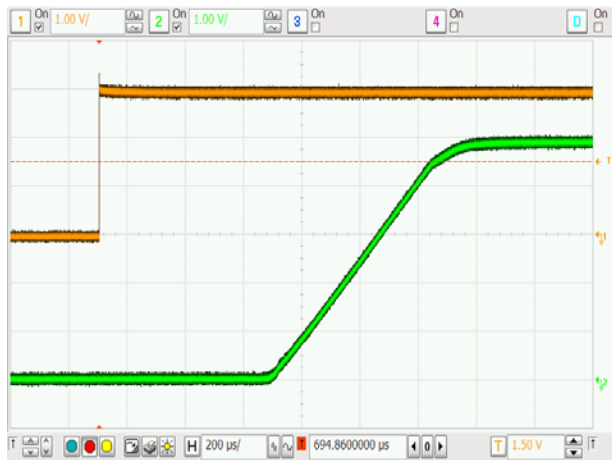
**Figure 17. Bleed Resistance vs. Temperature**



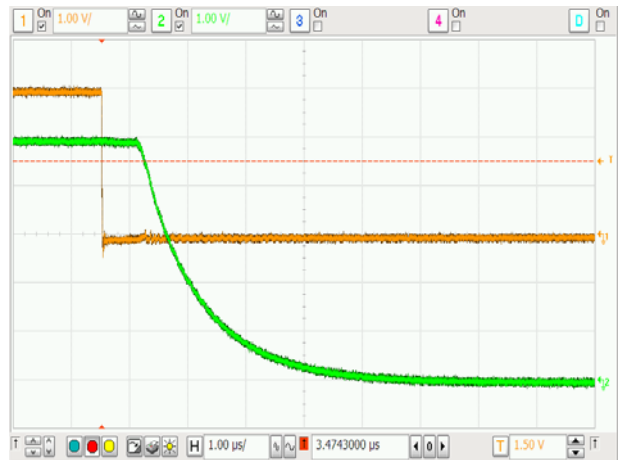
**Figure 18. Standby Current vs. Supply Voltage**



**Figure 19. Standby Current vs. Temperature**



**Figure 20. Turn-on Response**  
(V<sub>CC</sub> = 3.3 V, V<sub>IN</sub> = 5.0 V, R<sub>L</sub> = 10 Ω, C<sub>L</sub> = 0.1 μF)



**Figure 21. Turn-off Response**  
(V<sub>CC</sub> = 3.3 V, V<sub>IN</sub> = 5.0 V, R<sub>L</sub> = 10 Ω, C<sub>L</sub> = 0.1 μF)

## APPLICATIONS INFORMATION

**On-Resistance**

The MOSFET gate voltage in the NCP4543 is driven by a charge pump in the controller circuit. The output voltage of the charge pump is dependent on the voltage on  $V_{CC}$ . The  $R_{ON}$  of the MOSFET is in turn dependent on its  $V_{GS}$ . Care must be taken to ensure a sufficient  $V_{CC}$  voltage is used to create the desired  $R_{ON}$  given the anticipated input voltage.

**Enable Control**

The NCP4543 allows for enabling the MOSFET in either an active-high or active-low configuration. When the EN and POL pins are both at a logic high level or both at a logic low level and the  $V_{CC}$  supply pin has an adequate voltage applied, the MOSFET will be enabled. Similarly, when the EN and POL pins are at different logic levels, the MOSFET will be disabled.

An internal pull down resistor on the EN pin and an internal pull up resistor on the POL pin ensure that the MOSFET will be disabled when neither pin is driven. The internal pull down or pull up resistor can also be used to allow for only one of the pins to be driven in either an active-high or active-low state.

**Parametric Adjustments**

The NCP4543 can be used in several configurations depending on the need to control turn-on delay, slew rate, and bleed resistance. Default minimum values of each parameter are built into the part without the requirement of external components. This configuration is shown above in Figure 1.

Figures 22 and 23 show alternate configurations where external components are used to modify the turn-on delay, slew rate, and total bleed resistance.

Figure 22 shows an external capacitor,  $C_{COMBO}$ , connected from the  $V_{OUT}$  pin to both the DELAY and SR pins. This allows for one external capacitor to be used to modify the turn-on delay and slew rate. Note that the value of  $C_{COMBO}$  is used in Equations 1 and 2 (below) in place of  $C_{DEL}$  and  $C_{SR}$  respectively.

Figure 23 shows the use of two external capacitors for independent control of the turn-on delay and slew rate.

**Turn-On Delay**

The NCP4543 provides a time delay between the input transitions on EN (or POL) to the MOSFET turning on. The

turn-on delay can be increased with an external capacitor added between the DELAY pin and either ground or the  $V_{OUT}$  pin as shown in Figures 22 and 23.

The total delay is calculated by adding the default turn-on delay to a delta term which is calculated as follows:

$$\Delta t = K_{DEL} * C_{DEL} \quad (\text{eq. 1})$$

where  $K_{DEL}$  is a constant and  $C_{DEL}$  is the off-chip capacitance added between the DELAY pin to either ground or the  $V_{OUT}$  pin (see table below). When no external capacitor is present, the delay will be the specified default turn-on delay.

**Slew Rate Control**

The NCP4543 is equipped with controlled output slew rate which provides soft start functionality. This limits the inrush current caused by capacitor charging and enables this device to be used in hot swapping applications. The slew rate can be decreased with an external capacitor added between the SR pin and the  $V_{OUT}$  pin as shown in Figures 22 and 23.

The slew rate can be calculated as follows:

$$SR = \frac{K_{SR}}{C_{SR} + C_{CHIP}} \quad (\text{eq. 2})$$

where  $K_{SR}$  is a constant,  $C_{SR}$  is the off-chip capacitance added between the SR pin and the  $V_{OUT}$  pin, and  $C_{CHIP}$  is the on-chip capacitance (see table below). Note that this equation is only valid for  $C_{SR} \geq 470$  pF. When no external capacitor is present, the slew rate will be the specified default slew rate.

**Load Bleed**

The NCP4543 has an on-chip bleed resistor that can be used to bleed the charge off of the load to ground after the MOSFET has been disabled. In series with the bleed resistor is a bleed switch which is enabled whenever the MOSFET is disabled. Delays are added to the enable of this switch to ensure that both the MOSFET and the bleed switch are not concurrently active. The total bleed resistance can be increased by adding a resistor between the BLEED pin and the  $V_{OUT}$  pin as shown in Figures 22 and 23. If the load bleed function is not desired, the BLEED pin should be tied to ground or left floating.

**SLEW RATE AND TURN-ON DELAY**

| Parameter                                | Conditions                              | Symbol      | Min | Typ  | Max | Unit       |
|--|---|-------------|-----|------|-----|------------|
| Turn-on Delay Constant                   |   | $K_{DEL}$   |     | 1.74 |     | M $\Omega$ |
| External Delay Capacitance (Note 10)     | Between DEL pin and GND                 | $C_{DEL}$   |     |      | 10  | nF         |
| Slew Rate Constant                       |   | $K_{SR}$    |     | 1.4  |     | $\mu$ A    |
| External Slew Rate Capacitance (Note 10) | Between SR pin and $V_{OUT}$ pin        | $C_{SR}$    |     |      | 2   | nF         |
| Internal Slew Rate Capacitance           |   | $C_{CHIP}$  |     | 150  |     | pF         |
| External Combo Capacitance (Note 10)     | Between SR & DEL pins and $V_{OUT}$ pin | $C_{COMBO}$ |     |      | 2   | nF         |

10. Recommended range, larger values may be used but may degrade the performance of the part

# NCP4543

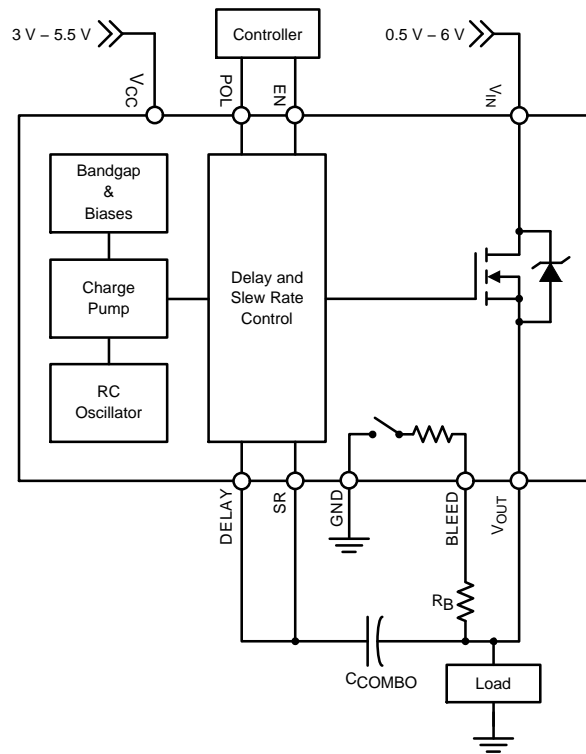


Figure 22. Example Application – External bleed resistor with single-capacitor adjustment of turn-on delay and slew rate.

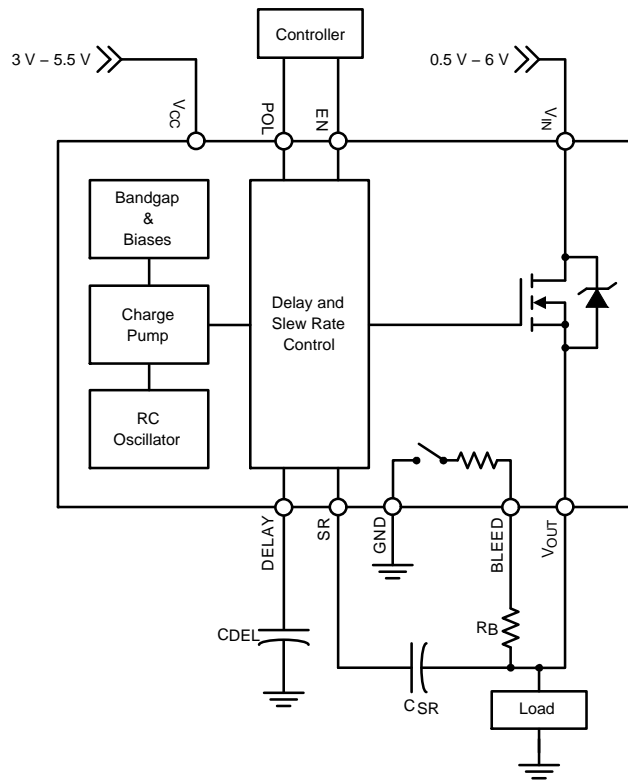
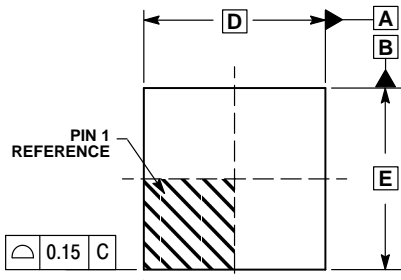


Figure 23. Example Application – External bleed resistor with independent adjustment of turn-on delay and slew rate.

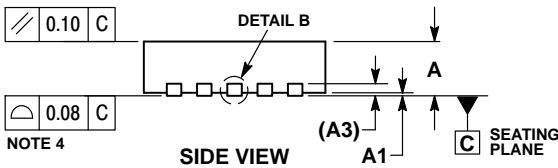
# NCP4543

## PACKAGE DIMENSIONS

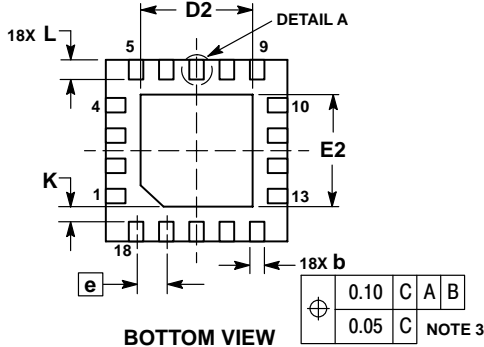
QFN18, 3x3, 0.5P  
CASE 485BF  
ISSUE O



TOP VIEW



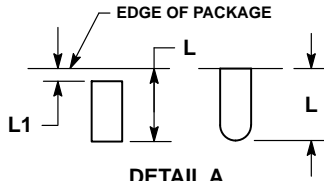
SIDE VIEW



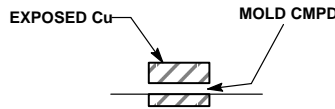
BOTTOM VIEW

|   |      |   |   |   |
|---|------|---|---|---|
| ⊕ | 0.10 | C | A | B |
| ⊖ | 0.05 | C |   |   |

NOTE 3



DETAIL A  
OPTIONAL  
CONSTRUCTION



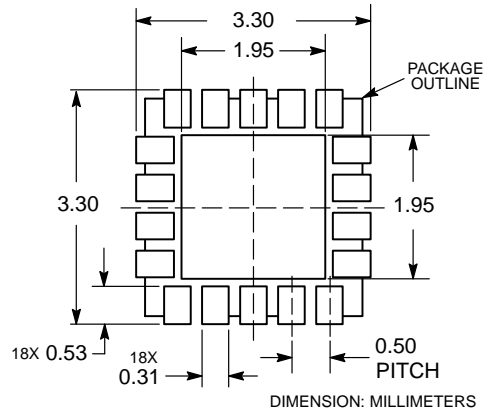
DETAIL B  
OPTIONAL  
CONSTRUCTION

NOTES:

1. DIMENSIONS AND TOLERANCING PER ASME Y14.5M, 1994.
2. CONTROLLING DIMENSION: MILLIMETERS.
3. DIMENSION b APPLIES TO PLATED TERMINAL AND IS MEASURED BETWEEN 0.15 AND 0.30 MM FROM TERMINAL.
4. COPLANARITY APPLIES TO THE EXPOSED PAD AS WELL AS THE TERMINALS.

| MILLIMETERS |          |       |
|-------------|----------|-------|
| DIM         | MIN      | MAX   |
| A           | 0.80     | 1.00  |
| A1          | 0.00     | 0.05  |
| A3          | 0.20     | REF   |
| b           | 0.18     | 0.30  |
| D           | 3.00 BSC |       |
| D2          | 1.75     | 1.95  |
| E           | 3.00 BSC |       |
| E2          | 1.75     | 1.95  |
| e           | 0.50 BSC |       |
| K           | 0.20     | ---   |
| L           | 0.275    | 0.375 |
| L1          | 0.00     | 0.15  |

### RECOMMENDED MOUNTING FOOTPRINT



\*For additional information on our Pb-Free strategy and soldering details, please download the ON Semiconductor Soldering and Mounting Techniques Reference Manual, SOLDERRM/D.

ecoSWITCH is a trademark of Semiconductor Components Industries, LLC (SCILLC).

ON Semiconductor and are trademarks of Semiconductor Components Industries, LLC dba ON Semiconductor or its subsidiaries in the United States and/or other countries. ON Semiconductor owns the rights to a number of patents, trademarks, copyrights, trade secrets, and other intellectual property. A listing of ON Semiconductor's product/patent coverage may be accessed at [www.onsemi.com/site/pdf/Patent-Marketing.pdf](http://www.onsemi.com/site/pdf/Patent-Marketing.pdf). ON Semiconductor reserves the right to make changes without further notice to any products herein. ON Semiconductor makes no warranty, representation or guarantee regarding the suitability of its products for any particular purpose, nor does ON Semiconductor assume any liability arising out of the application or use of any product or circuit, and specifically disclaims any and all liability, including without limitation special, consequential or incidental damages. Buyer is responsible for its products and applications using ON Semiconductor products, including compliance with all laws, regulations and safety requirements or standards, regardless of any support or applications information provided by ON Semiconductor. "Typical" parameters which may be provided in ON Semiconductor data sheets and/or specifications can and do vary in different applications and actual performance may vary over time. All operating parameters, including "Typicals" must be validated for each customer application by customer's technical experts. ON Semiconductor does not convey any license under its patent rights nor the rights of others. ON Semiconductor products are not designed, intended, or authorized for use as a critical component in life support systems or any FDA Class 3 medical devices or medical devices with a same or similar classification in a foreign jurisdiction or any devices intended for implantation in the human body. Should Buyer purchase or use ON Semiconductor products for any such unintended or unauthorized application, Buyer shall indemnify and hold ON Semiconductor and its officers, employees, subsidiaries, affiliates, and distributors harmless against all claims, costs, damages, and expenses, and reasonable attorney fees arising out of, directly or indirectly, any claim of personal injury or death associated with such unintended or unauthorized use, even if such claim alleges that ON Semiconductor was negligent regarding the design or manufacture of the part. ON Semiconductor is an Equal Opportunity/Affirmative Action Employer. This literature is subject to all applicable copyright laws and is not for resale in any manner.

### PUBLICATION ORDERING INFORMATION

LITERATURE FULFILLMENT:

Literature Distribution Center for ON Semiconductor  
P.O. Box 5163, Denver, Colorado 80217 USA  
Phone: 303-675-2175 or 800-344-3860 Toll Free USA/Canada  
Fax: 303-675-2176 or 800-344-3867 Toll Free USA/Canada  
Email: [orderlit@onsemi.com](mailto:orderlit@onsemi.com)

N. American Technical Support: 800-282-9855 Toll Free  
USA/Canada  
Europe, Middle East and Africa Technical Support:  
Phone: 421 33 790 2910  
Japan Customer Focus Center  
Phone: 81-3-5817-1050

ON Semiconductor Website: [www.onsemi.com](http://www.onsemi.com)

Order Literature: <http://www.onsemi.com/orderlit>

For additional information, please contact your local Sales Representative

## Looking for pricing, stock, or lifecycle information?

Click below to explore more details on WIN SOURCE:

- ⊖ [View NCP4543IMN5RG on WIN SOURCE](#)
- ⊖ [ON Semiconductor Information](#)

## Optimize Your Supply Chain with WIN SOURCE Solutions

- ✓ Global Sourcing Solution
- ✓ Obsolete Management
- ✓ Cost Control Management
- ✓ Shortage Management
- ✓ Alternative Solution
- ✓ Excess Inventory Management