



**THE DATASHEET OF
NB3N3010BDR2G**



NB3N3010B

3.3V, 12.288 MHz Audio Oversampling Clock Generator for USB Applications



ON Semiconductor®

<http://onsemi.com>

Description

The NB3N3010B is a precision, low noise clock multiplier that generates an output frequency of 12.288 MHz. This is accomplished by using Frequency-Locked-Loop (FLL) techniques where a 4 kHz reference input is multiplied by 3072, or an 8 kHz input by 1536. The frequency multiplier is selected by the S0 pin.

The two LVCMOS output drivers are disabled to a logic Low with the ENABLEn pin set HIGH. The NB3N3010B operates from a single +3.3 V supply, and is available in the SOIC-8 pin package, and optionally in a DFN8 package. The operating temperature range is from 0°C to +85°C.

The NB3N3010B device provides the optimum combination of low cost, flexibility, and high performance. This makes it ideal for applications such as oversampling A-to-D and D-to-A converters from a low reference frequency, such as a USB start-of-frame (SOF) pulse.

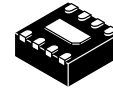
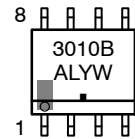
Features

- Accepts 8 kHz or 4 kHz Reference Input Derived from USB Start-of-Frame
- Generates 12.288 MHz Frequency-Locked to the Reference
- Fully Integrated Frequency-Lock-Loop with Internal Loop Filter
- Low Skew Dual LVCMOS Outputs
- Very Low Phase Noise Preserves Codec Noise Floor
- Internal Voltage Regulator
- Supply Voltage Required: +3.3 V ± 5%
- Temperature Range: 0°C to +85°C
- These are Pb-Free Devices

MARKING DIAGRAMS*



SOIC-8
D SUFFIX
CASE 751



DFN8
MN SUFFIX
CASE 506AA



- A = Assembly Location
- L = Wafer Lot
- Y = Year
- W = Work Week
- M = Date Code
- = Pb-Free Package

(Note: Microdot may be in either location)

*For additional marking information, refer to Application Note AND8002/D.

ORDERING INFORMATION

See detailed ordering and shipping information in the package dimensions section on page 7 of this data sheet.

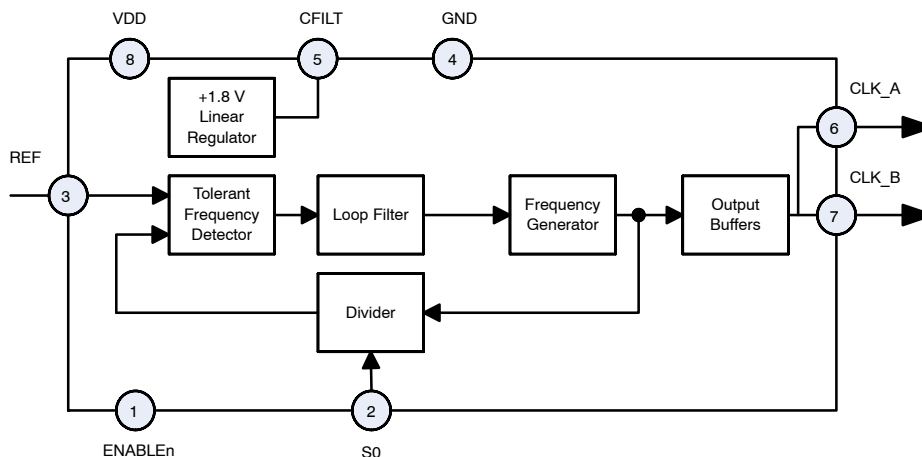


Figure 1. NB3N3010B Simplified Diagram

NB3N3010B

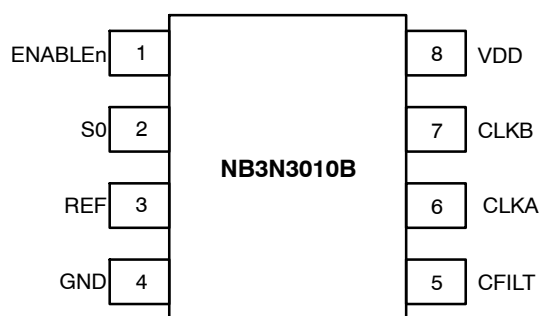


Figure 2. Pinout SOIC-8 / DFN8 (Top View)

Table 1. PIN DESCRIPTION

| Pin | Symbol | I/O | Description |
|-----|---------|------------------------|--|
| 1 | ENABLEn | LVTTL/ LVCMOS Input | Low active Output Enable; Defaults HIGH when left open; Internal pull-up resistor to V _{DD} . |
| 2 | S0 | LVTTL/ LVCMOS Input | Frequency Select Input. See input frequency select Table 2 for details. Defaults HIGH when left open. Internal pull-up resistor to V _{DD} . |
| 3 | REF | Input | Reference Clock input |
| 4 | GND | Power Supply | Negative Supply Voltage; Ground 0 V. This pin provides GND return path to the VDD supply. |
| 5 | CFILT | Analog | Connection for external filter capacitor for internal +1.8 V regulator; see Figure 4. |
| 6 | CLKA | LVCMOS Output | Clock output, copy A (12.288 MHz) |
| 7 | CLKB | LVCMOS Output | Clock output, copy B (12.288 MHz) |
| 8 | VDD | Power Supply | Positive Supply Voltage, +3.3 V ± 5% |

NB3N3010B

Table 2. ATTRIBUTES

| Characteristic | | Value |
|---|-----------------------------------|----------------------|
| ESD Protection | Human Body Model Machine Model | > 4 kV 400 V |
| R _{PU} – ENABLEn Input Pull-up Resistor R _{PU} – SO Input Pull-up Resistor | | 48 kΩ 48 kΩ |
| Moisture Sensitivity (Note 1) | Pb-Free | Level 1 |
| Flammability Rating | Oxygen Index: 28 to 34 | UL 94 V-0 @ 0.125 in |
| Transistor Count | | 12039 |
| Meets or exceeds JEDEC Spec EIA/JESD78 IC Latchup Test | | |

1. For additional information, see Application Note AND8003/D.

Table 3. ABSOLUTE MAXIMUM RATINGS

| Symbol | Parameter | Condition 1 | Condition 2 | Rating | Unit |
|------------------|--|--------------------|----------------------------|-----------------------------------|--------------|
| V _{DD} | Positive Power Supply | GND = 0 V | | 4.6 | V |
| V _I | Input Voltage (VIN) | GND = 0 V | | -0.3 V to V _{DD} + 0.3 V | V |
| T _A | Operating Temperature Range | | | 0 to +85 | °C |
| T _{stg} | Storage Temperature Range | | | -40 to +150 | °C |
| θ _{JA} | Thermal Resistance (Junction-to-Ambient) | 0 lfpm 500 lfpm | SOIC-8 SOIC-8 | 190 130 | °C/W °C/W |
| θ _{JC} | Thermal Resistance (Junction-to-Case) | (Note 2) | SOIC-8 | 41 to 44 | °C/W |
| θ _{JA} | Thermal Resistance (Junction-to-Ambient) | 0 lfpm 500 lfpm | DFN-8 (2x2) DFN-8 (2x2) | 129 84 | °C/W |
| θ _{JC} | Thermal Resistance (Junction-to-Case) | (Note 2) | DFN-8 (2x2) | 35-40 | °C/W |
| T _{sol} | Wave Solder | Pb-Free | | 265 | °C |

Stresses exceeding Maximum Ratings may damage the device. Maximum Ratings are stress ratings only. Functional operation above the Recommended Operating Conditions is not implied. Extended exposure to stresses above the Recommended Operating Conditions may affect device reliability.

2. JEDEC standard multilayer board – 2S2P (2 signal, 2 power).

Table 4. DC CHARACTERISTICS V_{DD} = 3.3 V ± 5%, GND = 0 V, T_A = 0°C to +85°C, Note 3.

| Symbol | Characteristic | Min | Typ | Max | Unit |
|--------------------|--|-----------|-----|-----------------------|------|
| V _{DD} | Power Supply Voltage | 3.13 | 3.3 | 3.47 | V |
| I _{DDOEL} | Power Supply Current (operating, i.e. ENABLEn is LOW) Outputs Unloaded | | 21 | 35 | mA |
| I _{DDOEH} | Power Supply Current (standby, i.e. ENABLEn is HIGH) | | 415 | 600 | µA |
| V _{IH} | Input HIGH Voltage (REF, ENABLEn, S0) | 2.0 | | V _{DD} + 0.3 | V |
| V _{IL} | Input LOW Voltage (REF, ENABLEn, S0) | GND – 0.3 | | 0.8 | V |
| V _{OH} | Output HIGH Voltage (CLKA, CLKB), I _{OH} = -12 mA | 2.4 | | | V |
| V _{OL} | Output LOW Voltage (CLKA, CLKB), I _{OL} = 12 mA | | | 0.4 | V |

NOTE: Device will meet the specifications after thermal equilibrium has been established when mounted in a test socket or printed circuit board with maintained transverse airflow greater than 500 lfpm. Electrical parameters are guaranteed only over the declared operating temperature range. Functional operation of the device exceeding these conditions is not implied. Device specification limit values are applied individually under normal operating conditions and not valid simultaneously.

3. C_{FILT} capacitor must be installed; see Figure 4.

NB3N3010B

Table 5. AC CHARACTERISTICS $V_{DD} = 3.3\text{ V} \pm 5\%$, $GND = 0\text{ V}$, $T_A = 0^\circ\text{C}$ to $+85^\circ\text{C}$ (Note 4)

| Symbol | Characteristic | Min | Typ | Max | Unit | |
|--------------------|---|---------------------|----------|--------|----------|-----|
| f_{out} | Output Clock Frequency: CLKA & CLKB $f_{OUT} = 8\text{ kHz} \times 1536$ $f_{OUT} = 4\text{ kHz} \times 3072$ | $S0 = 1$ | 12.25728 | 12.288 | 12.31872 | MHz |
| | | $S0 = 0$ | 12.25728 | 12.288 | 12.31872 | |
| f_{REF} | Reference Input Frequency | $S0 = 1$ | 7.98 | 8 | 8.02 | kHz |
| | | $S0 = 0$ | 3.99 | 4 | 4.01 | |
| $t_{jit(per)-ref}$ | Reference Input Period Jitter (pk-pk) | | | 250 | ns | |
| t_{REFH} | Reference Input Pulse Width (high) | $S0 = 1$ | 33 | | 68000 | ns |
| | | $S0 = 0$ | 33 | | 136000 | |
| t_{CLKH} | CLKA, CLKB output width, high | 13 | | | ns | |
| t_{CLKL} | CLKA, CLKB output width, low | 13 | | | ns | |
| t_r | CLKA, CLKB rise time 10% – 90% | | | 4 | ns | |
| t_f | CLKA, CLKB fall time 90% – 10% | | | 4 | ns | |
| $t_{jit(per)}$ | CLKA, CLKB period jitter (over 10k cycles) | peak-to-peak RMS | | | 250 | ps |
| | | | | | 20 | |
| $t_{jit(cc)}$ | CLK_A, CLKB cycle-to-cycle jitter (1k cycles) | peak-to-peak RMS | | | 300 | ps |
| | | | | | 35 | |
| $t_{sk(LH)}$ | CLKA to CLKB output skew (low-to-high transitions) | | | 700 | ps | |
| $t_{sk(HL)}$ | CLKA to CLKB output skew (high-to-low transitions) | | | 700 | ps | |
| | Power Valid to ENABLEn | | | 10 | ms | |
| | ENABLEn to CLKA/CLKB | | 50 | 100 | ms | |

NOTE: Device will meet the specifications after thermal equilibrium has been established when mounted in a test socket or printed circuit board with maintained transverse airflow greater than 500 lpm. Electrical parameters are guaranteed only over the declared operating temperature range. Functional operation of the device exceeding these conditions is not implied. Device specification limit values are applied individually under normal operating conditions and not valid simultaneously.

4. Outputs loaded with 15 pF max to ground. C_{FILT} capacitor must be installed; see Figure 4.
5. Maximum time required after power is applied to the MCLK FLL until it is ready to accept ENABLEn active.

NB3N3010B

APPLICATION INFORMATION

Figure 1 shows the simplified block diagram of the NB3N3010B device.

The primary function of the NB3N3010B is to accept a selectable 4 kHz or 8 kHz input reference clock, REF, and then multiply it to 12.288 MHz output frequency.

Frequency Select – S0

Either of two expected input REF frequencies, 4 kHz or 8 kHz, will be multiplied by the FLL to achieve 12.288 MHz at the low-skew CLKA and CLKB outputs by selecting the S0 pin; see Table 6.

The pulse high time (T_{HI}) of the input reference signal may vary widely depending on the application. See AC specifications for details.

Output Enable – ENABLEn

A Low active output enable input pin, ENABLEn, is provided. When the ENABLEn input is High inactive, both clock outputs are driven to a logic Low.

The NB3N3010B implements a delay, specified as ENABLEn to Output Delay in the AC Specifications, from the assertion of ENABLEn to the first rising edges on the clock outputs. This delay insures that CLKA and CLKB output pulses are within specification before the output drivers are enabled. When ENABLEn transitions from Low to High (de-asserts), the current cycle of the clock outputs completes normally then the outputs will be held Low. The ENABLEn signal is asynchronous to either the REF input or CLK_x outputs.

Table 6. INPUT FREQUENCY SELECT AND OUTPUT ENABLE FUNCTIONS

| ENABLEn* | S0* | f _{REF} | FLL Multiplier | CLKA & CLKB Frequency |
|----------|-----|------------------|----------------|-----------------------|
| 0 | L | 4 kHz | 3072 | 12.288 MHz |
| 0 | H | 8 kHz | 1536 | 12.288 MHz |
| 1 | x | x | x | Disabled Low |

*Defaults High when left open.

Typical Power On Sequence

1. Power On
2. Reference Clock present; must be switching before ENABLEn goes High.
3. Output Enable, ENABLEn, High-to-Low

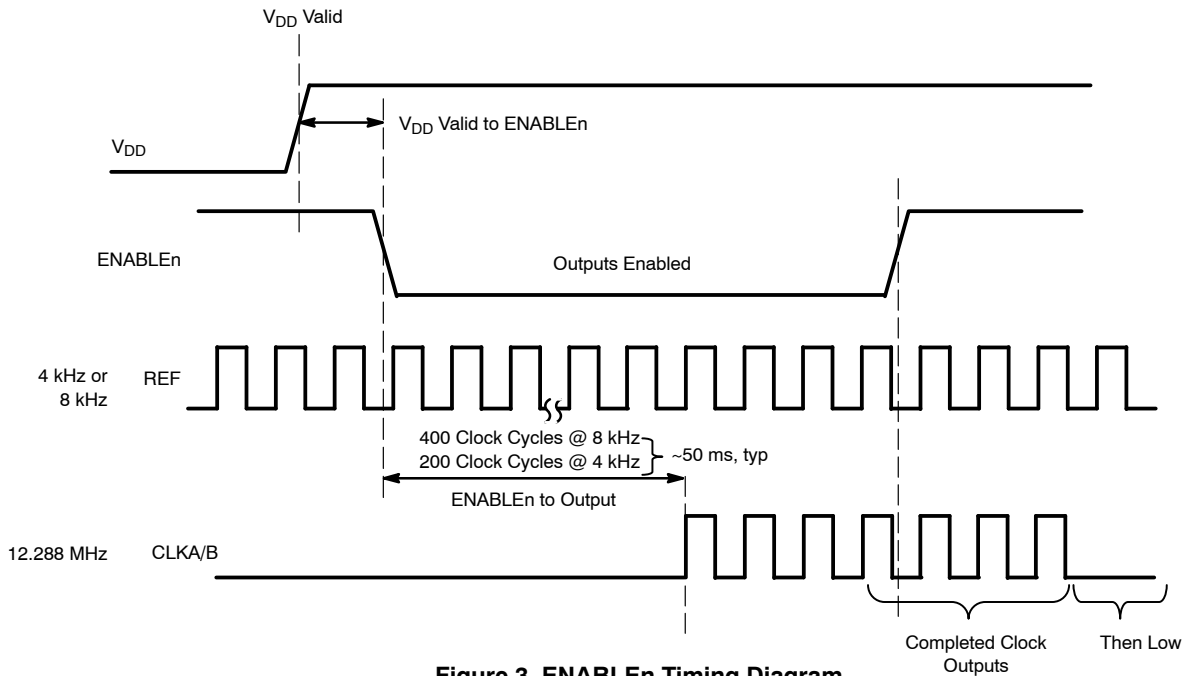


Figure 3. ENABLEn Timing Diagram

CFILT for 1.8 V Regulator

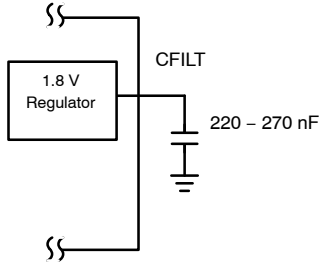


Figure 4. CFILT Capacitor

A low noise 1.8 V LDO/Regulator is integrated to provide a clean supply for the CLKA/CLKB output buffers. The LDO requires a decoupling capacitor in the range of 220 nF to 270 nF for compensation and high frequency PSR, and should be located near the device. The purpose of this design technique is to isolate the high switching noise of the digital outputs from the relatively sensitive internal analog phase-locked loop.



Figure 5. REF Input Timing Diagram

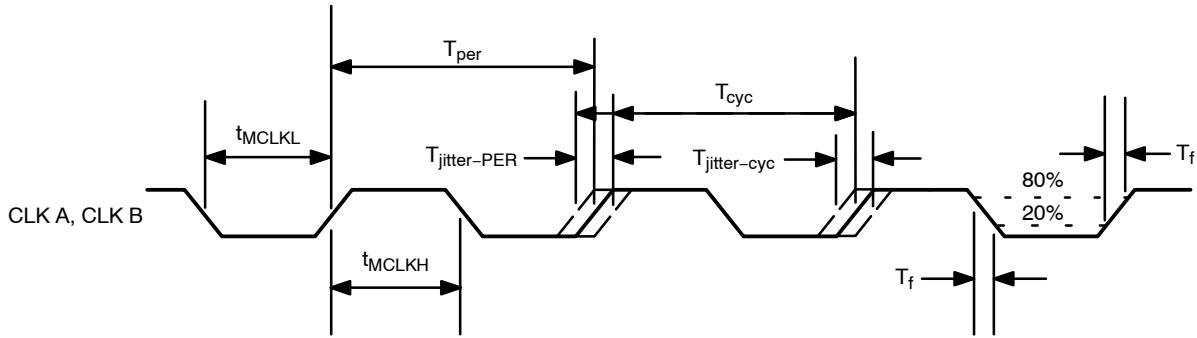


Figure 6. Clock Output Timing Diagram

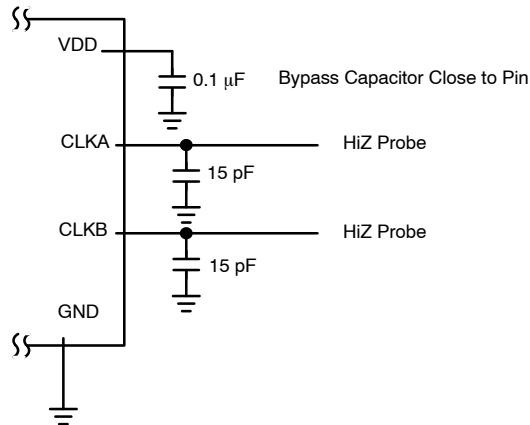


Figure 7. Test Circuit

NB3N3010B

ORDERING INFORMATION

| Device | Package | Shipping [†] |
|-----------------|---------------------|-----------------------|
| NB3N3010BDG | SOIC-8 (Pb-Free) | 98 Units / Rail |
| NB3N3010BDR2G | SOIC-8 (Pb-Free) | 2500 / Tape & Reel |
| NB3N3010BMNG* | DFN-8 (Pb-Free) | TBD Units / Rail |
| NB3N3010BMNR4G* | DFN-8 (Pb-Free) | 1000 / Tape & Reel |

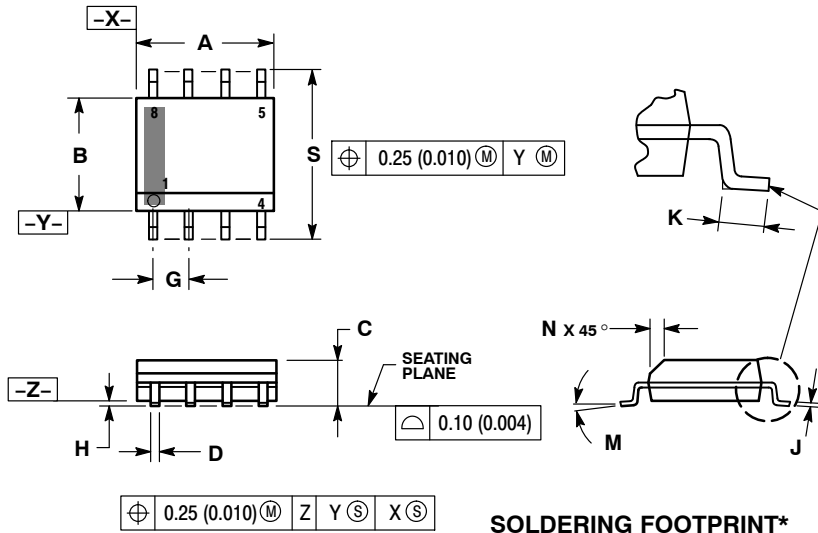
[†]For information on tape and reel specifications, including part orientation and tape sizes, please refer to our Tape and Reel Packaging Specifications Brochure, BRD8011/D.

*To order other package and voltage variants, please contact your ON Semiconductor sales representative.

NB3N3010B

PACKAGE DIMENSIONS

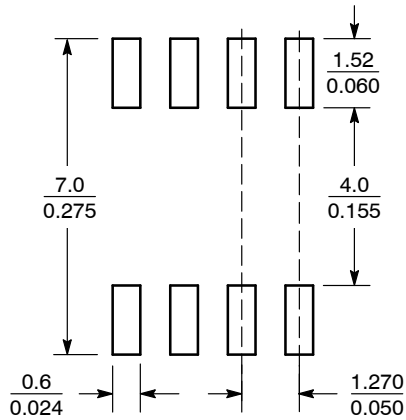
SOIC-8 NB
CASE 751-07
ISSUE AK



- NOTES:
1. DIMENSIONING AND TOLERANCING PER ANSI Y14.5M, 1982.
 2. CONTROLLING DIMENSION: MILLIMETER.
 3. DIMENSION A AND B DO NOT INCLUDE MOLD PROTRUSION.
 4. MAXIMUM MOLD PROTRUSION 0.15 (0.006) PER SIDE.
 5. DIMENSION D DOES NOT INCLUDE DAMBAR PROTRUSION. ALLOWABLE DAMBAR PROTRUSION SHALL BE 0.127 (0.005) TOTAL IN EXCESS OF THE D DIMENSION AT MAXIMUM MATERIAL CONDITION.
 6. 751-01 THRU 751-06 ARE OBSOLETE. NEW STANDARD IS 751-07.

| DIM | MILLIMETERS | | INCHES | |
|-----|-------------|------|-----------|-------|
| | MIN | MAX | MIN | MAX |
| A | 4.80 | 5.00 | 0.189 | 0.197 |
| B | 3.80 | 4.00 | 0.150 | 0.157 |
| C | 1.35 | 1.75 | 0.053 | 0.069 |
| D | 0.33 | 0.51 | 0.013 | 0.020 |
| G | 1.27 BSC | | 0.050 BSC | |
| H | 0.10 | 0.25 | 0.004 | 0.010 |
| J | 0.19 | 0.25 | 0.007 | 0.010 |
| K | 0.40 | 1.27 | 0.016 | 0.050 |
| M | 0° | 8° | 0° | 8° |
| N | 0.25 | 0.50 | 0.010 | 0.020 |
| S | 5.80 | 6.20 | 0.228 | 0.244 |

SOLDERING FOOTPRINT*



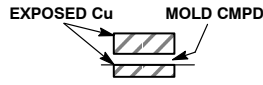
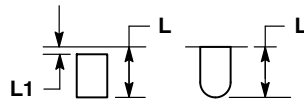
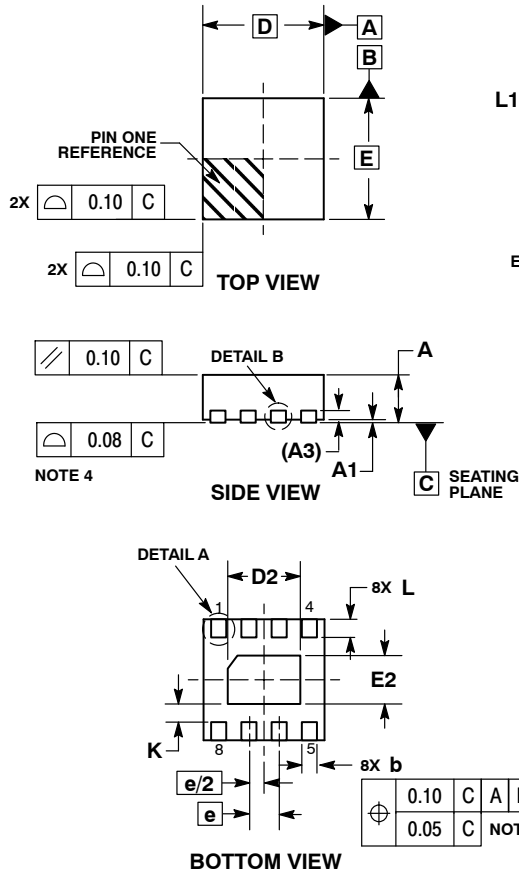
SCALE 6:1 (mm/inches)

*For additional information on our Pb-Free strategy and soldering details, please download the ON Semiconductor Soldering and Mounting Techniques Reference Manual, SOLDERRM/D.

NB3N3010B

PACKAGE DIMENSIONS

DFN8 2x2, 0.5P
CASE 506AA-01
ISSUE E

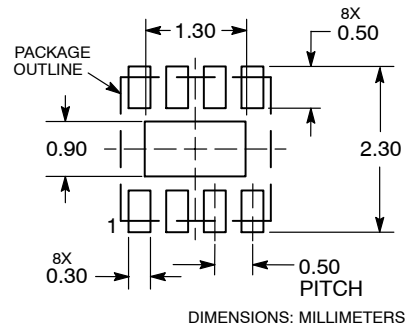


NOTES:

- DIMENSIONING AND TOLERANCING PER ASME Y14.5M, 1994.
- CONTROLLING DIMENSION: MILLIMETERS.
- DIMENSION b APPLIES TO PLATED TERMINAL AND IS MEASURED BETWEEN 0.15 AND 0.20 MM FROM TERMINAL TIP.
- COPLANARITY APPLIES TO THE EXPOSED PAD AS WELL AS THE TERMINALS.

| DIM | MILLIMETERS | |
|-----|-------------|------|
| | MIN | MAX |
| A | 0.80 | 1.00 |
| A1 | 0.00 | 0.05 |
| A3 | 0.20 | REF |
| b | 0.20 | 0.30 |
| D | 2.00 | BSC |
| D2 | 1.10 | 1.30 |
| E | 2.00 | BSC |
| E2 | 0.70 | 0.90 |
| e | 0.50 | BSC |
| K | 0.30 | REF |
| L | 0.25 | 0.35 |
| L1 | --- | 0.10 |

RECOMMENDED SOLDERING FOOTPRINT*



*For additional information on our Pb-Free strategy and soldering details, please download the ON Semiconductor Soldering and Mounting Techniques Reference Manual, SOLDERRM/D.

ON Semiconductor and are registered trademarks of Semiconductor Components Industries, LLC (SCILLC). SCILLC reserves the right to make changes without further notice to any products herein. SCILLC makes no warranty, representation or guarantee regarding the suitability of its products for any particular purpose, nor does SCILLC assume any liability arising out of the application or use of any product or circuit, and specifically disclaims any and all liability, including without limitation special, consequential or incidental damages. "Typical" parameters which may be provided in SCILLC data sheets and/or specifications can and do vary in different applications and actual performance may vary over time. All operating parameters, including "Typicals" must be validated for each customer application by customer's technical experts. SCILLC does not convey any license under its patent rights nor the rights of others. SCILLC products are not designed, intended, or authorized for use as components in systems intended for surgical implant into the body, or other applications intended to support or sustain life, or for any other application in which the failure of the SCILLC product could create a situation where personal injury or death may occur. Should Buyer purchase or use SCILLC products for any such unintended or unauthorized application, Buyer shall indemnify and hold SCILLC and its officers, employees, subsidiaries, affiliates, and distributors harmless against all claims, costs, damages, and expenses, and reasonable attorney fees arising out of, directly or indirectly, any claim of personal injury or death associated with such unintended or unauthorized use, even if such claim alleges that SCILLC was negligent regarding the design or manufacture of the part. SCILLC is an Equal Opportunity/Affirmative Action Employer. This literature is subject to all applicable copyright laws and is not for resale in any manner.

PUBLICATION ORDERING INFORMATION



LITERATURE FULFILLMENT:
Literature Distribution Center for ON Semiconductor
P.O. Box 5163, Denver, Colorado 80217 USA
Phone: 303-675-2175 or 800-344-3860 Toll Free USA/Canada
Fax: 303-675-2176 or 800-344-3867 Toll Free USA/Canada
Email: orderlit@onsemi.com

N. American Technical Support: 800-282-9855 Toll Free
USA/Canada
Europe, Middle East and Africa Technical Support:
Phone: 421 33 790 2910
Japan Customer Focus Center
Phone: 81-3-5773-3850


ON Semiconductor Website: www.onsemi.com
Order Literature: <http://www.onsemi.com/orderlit>
For additional information, please contact your local Sales Representative

Looking for pricing, stock, or lifecycle information?

Click below to explore more details on WIN SOURCE:

-  [View NB3N3010BDR2G on WIN SOURCE](#)
-  [ON Semiconductor Information](#)

Optimize Your Supply Chain with WIN SOURCE Solutions

-  Global Sourcing Solution
-  Obsolete Management
-  Cost Control Management
-  Shortage Management
-  Alternative Solution
-  Excess Inventory Management