

# DATA SHEET

**74F5074**

Synchronizing dual D-type flip-flop/clock driver

Product specification

1990 Sep 14

IC15 Data Handbook

# Synchronizing dual D-type flip-flop/clock driver

# 74F5074

## FEATURES

- Metastable immune characteristics
- Output skew guaranteed less than 1.5ns
- High source current ( $I_{OH} = 15\text{mA}$ ) ideal for clock driver applications
- Pin out compatible with 74F74
- 74F50728 for synchronizing cascaded D-type flip-flop
- See 74F50729 for synchronizing dual D-type flip-flop with edge-triggered set and reset
- See 74F50109 for synchronizing dual J-K positive edge-triggered flip-flop
- Industrial temperature range available ( $-40^{\circ}\text{C}$  to  $+85^{\circ}\text{C}$ )

TYPE	TYPICAL $f_{\text{max}}$	TYPICAL SUPPLY CURRENT (TOTAL)
74F5074	120MHz	20mA

## ORDERING INFORMATION

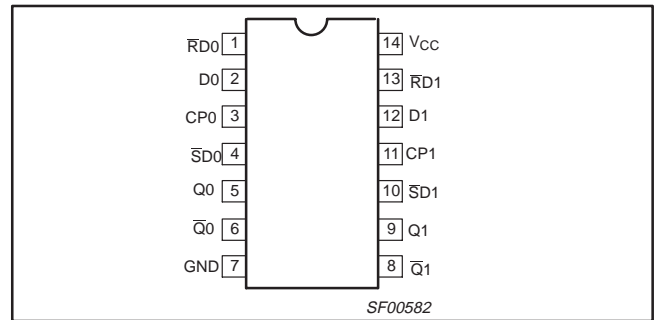
DESCRIPTION	ORDER CODE	PKG DWG #
	COMMERCIAL RANGE $V_{CC} = 5\text{V} \pm 10\%$ , $T_{\text{amb}} = 0^{\circ}\text{C}$ to $+70^{\circ}\text{C}$	
14-pin plastic DIP	N74F5074N	SOT27-1
14-pin plastic SO	N74F5074D	SOT108-1

## INPUT AND OUTPUT LOADING AND FAN OUT TABLE

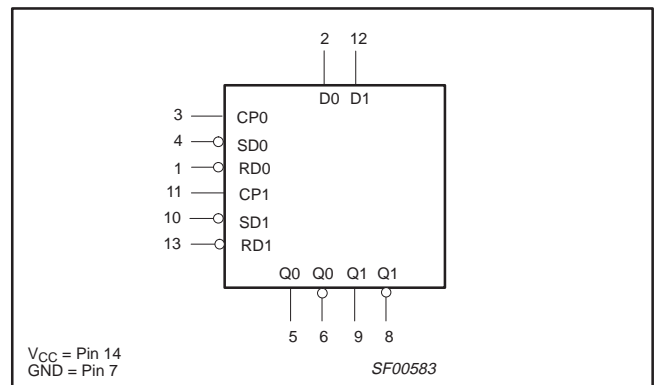
PINS	DESCRIPTION	74F (U.L.) HIGH/LOW	LOAD VALUE HIGH/LOW
D0, D1	Data inputs	1.0/0.417	20 $\mu\text{A}$ /250 $\mu\text{A}$
CP0, CP1	Clock inputs (active rising edge)	1.0/1.0	20 $\mu\text{A}$ /20 $\mu\text{A}$
$\overline{\text{SD}}0, \overline{\text{SD}}1$	Set inputs (active low)	1.0/1.0	20 $\mu\text{A}$ /20 $\mu\text{A}$
$\overline{\text{RD}}0, \overline{\text{RD}}1$	Reset inputs (active low)	1.0/1.0	20 $\mu\text{A}$ /20 $\mu\text{A}$
Q0, Q1, $\overline{\text{Q}}0, \overline{\text{Q}}1$	Data outputs	750/33	15mA/20mA

**NOTE:** One (1.0) FAST unit load is defined as: 20 $\mu\text{A}$  in the high state and 0.6mA in the low state.

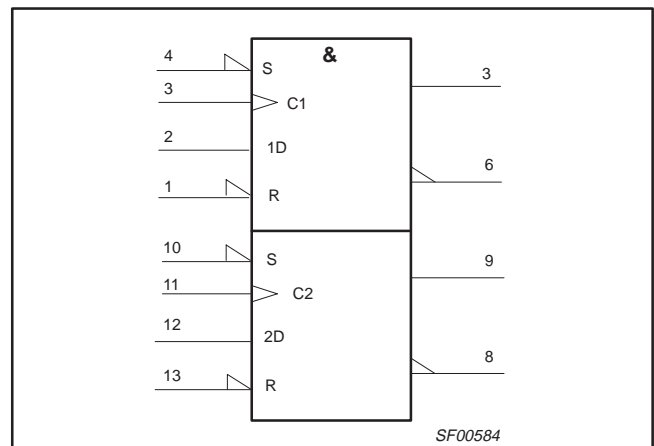
## PIN CONFIGURATION



## IEC/IEEE SYMBOL



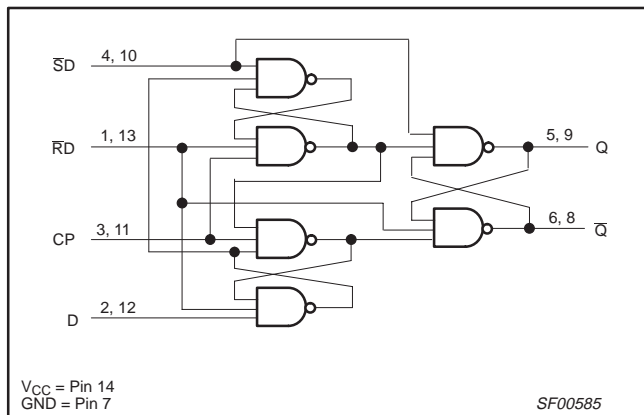
## LOGIC SYMBOL



# Synchronizing dual D-type flop/clock driver

74F5074

## LOGIC DIAGRAM



## DESCRIPTION

The 74F5074 is a dual positive edge-triggered D-type featuring individual data, clock, set and reset inputs; also true and complementary outputs.

Set ( $\overline{SDn}$ ) and reset ( $\overline{RDn}$ ) are asynchronous active low inputs and operate independently of the clock ( $CPn$ ) input. Data must be stable just one setup time prior to the low-to-high transition of the clock for guaranteed propagation delays.

Clock triggering occurs at a voltage level and is not directly related to the transition time of the positive-going pulse. Following the hold time interval, data at the  $Dn$  input may be changed without affecting the levels of the output.

The 74F5074 is designed so that the outputs can never display a metastable state due to setup and hold time violations. If setup time and hold time are violated the propagation delays may be extended beyond the specifications but the outputs will not glitch or display a metastable state. Typical metastability parameters for the 74F5074 are:  $\tau \cong 135\text{ps}$  and  $T_0 \cong 9.8 \times 10^6 \text{sec}$  where  $\tau$  represents a function of the rate at which a latch in a metastable state resolves that condition and  $T_0$  represents a function of the measurement of the propensity of a latch to enter a metastable state.

### Metastable Immune Characteristics

Philips Semiconductor uses the term 'metastable immune' to describe characteristics of some of the products in its family. Specifically the 74F50XXX family presently consist of 4 products which will not glitch or display an output anomaly under any circumstances including setup and hold time violations. This claim is easily verified on the 74F5074. By running two independent signal generators (see Fig. 1) at nearly the same frequency (in this case 10MHz clock and 10.02 MHz data) the device-under-test can be often be driven into a metastable state. If the Q output is then used to trigger a digital scope set to infinite persistence the  $\overline{Q}$  output will build a waveform. An experiment was run by continuously operating the devices in the region where metastability will occur.

When the device-under-test is a 74F74 (which was not designed with metastable immune characteristics) the waveform will appear as in Fig. 2.

Figure 2 shows clearly that the  $\overline{Q}$  output can vary in time with respect to the Q trigger point. This also implies that the Q or  $\overline{Q}$  output waveshapes may be distorted. This can be verified on an analog scope with a charge plate CRT. Perhaps of even greater interest are the dots running along the 3.5V volt line in the upper right hand quadrant. These show that the  $\overline{Q}$  output did not change state even though the Q output glitched to at least 1.5 volts, the trigger point of the scope.

When the device-under-test is a metastable immune part, such as the 74F5074, the waveform will appear as in Fig. 3. The 74F5074  $\overline{Q}$  output will appear as in Fig. 3. The 74F5074 Q output will not vary with respect to the Q trigger point even when the part is driven into a metastable state. Any tendency towards internal metastability is resolved by Philips Semiconductor patented circuitry. If a metastable event occurs within the flop the only outward manifestation of the event will be an increased clock-to-Q/ $\overline{Q}$  propagation delay. This propagation delay is, of course, a function of the metastability characteristics of the part defined by  $\tau$  and  $T_0$ .

The metastability characteristics of the 74F5074 and related part types represent state-of-the-art TTL technology.

After determining the  $T_0$  and  $t$  of the flop, calculating the mean time between failures (MTBF) is simple. Suppose a designer wants to use the 74F5074 for synchronizing asynchronous data that is arriving at 10MHz (as measured by a frequency counter), has a clock frequency of 50MHz, and has decided that he would like to sample the output of the 74F5074 10 nanoseconds after the clock edge. He simply plugs his number into the equation below:

$$MTBF = e^{(t'/t)} / T_0 f_C f_I$$

In this formula,  $f_C$  is the frequency of the clock,  $f_I$  is the average input event frequency, and  $t'$  is the time after the clock pulse that the output is sampled ( $t' < h$ ,  $h$  being the normal propagation delay). In this situation the  $f_I$  will be twice the data frequency of 20 MHz because input events consist of both of low and high transitions. Multiplying  $f_I$  by  $f_C$  gives an answer of  $10^{15} \text{Hz}^2$ . From Fig. 4 it is clear that the MTBF is greater than  $10^{10}$  seconds. Using the above formula the actual MTBF is  $1.51 \times 10^{10}$  seconds or about 480 years.

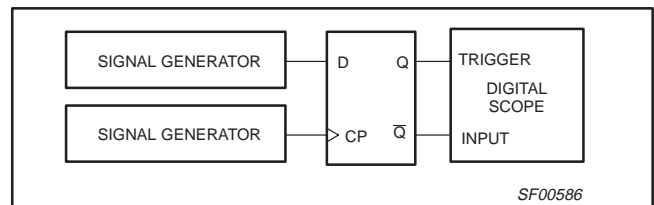


Figure 1. Test Set-up

# Synchronizing dual D-type flip-flop/clock driver

74F5074

## COMPARISON OF METASTABLE IMMUNE AND NON-IMMUNE CHARACTERISTICS

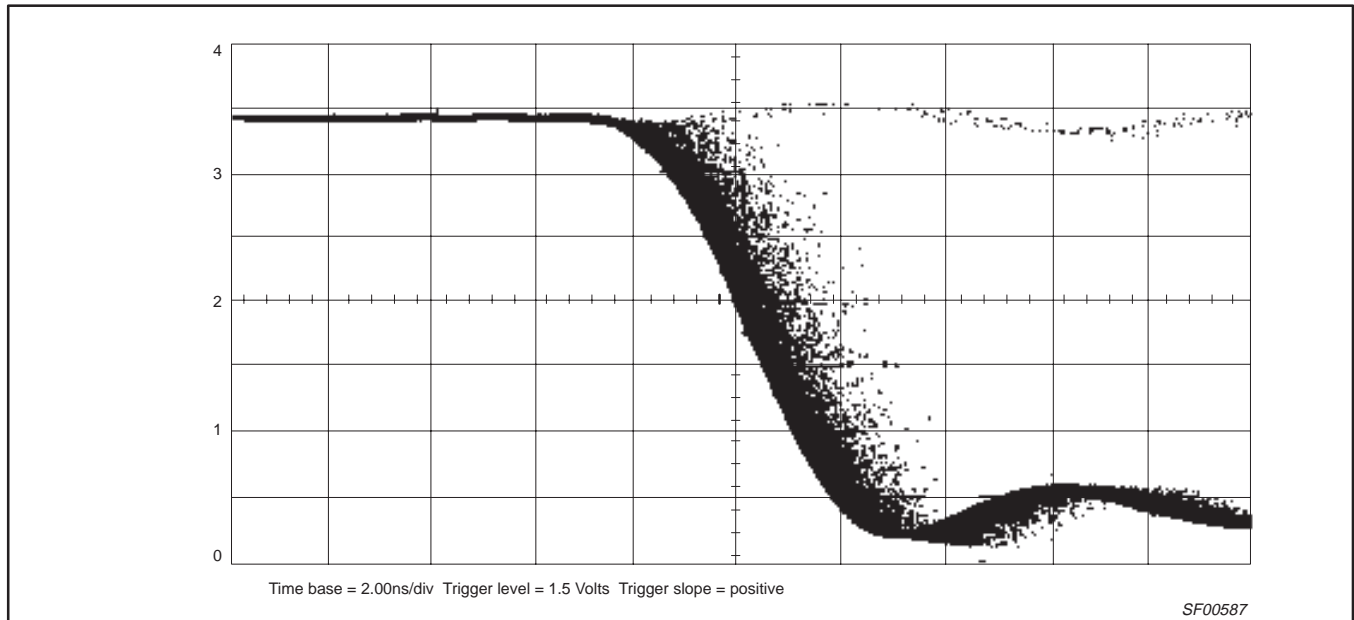


Figure 2. 74F74  $\bar{Q}$  Output triggered by Q output, set-up and hold times violated

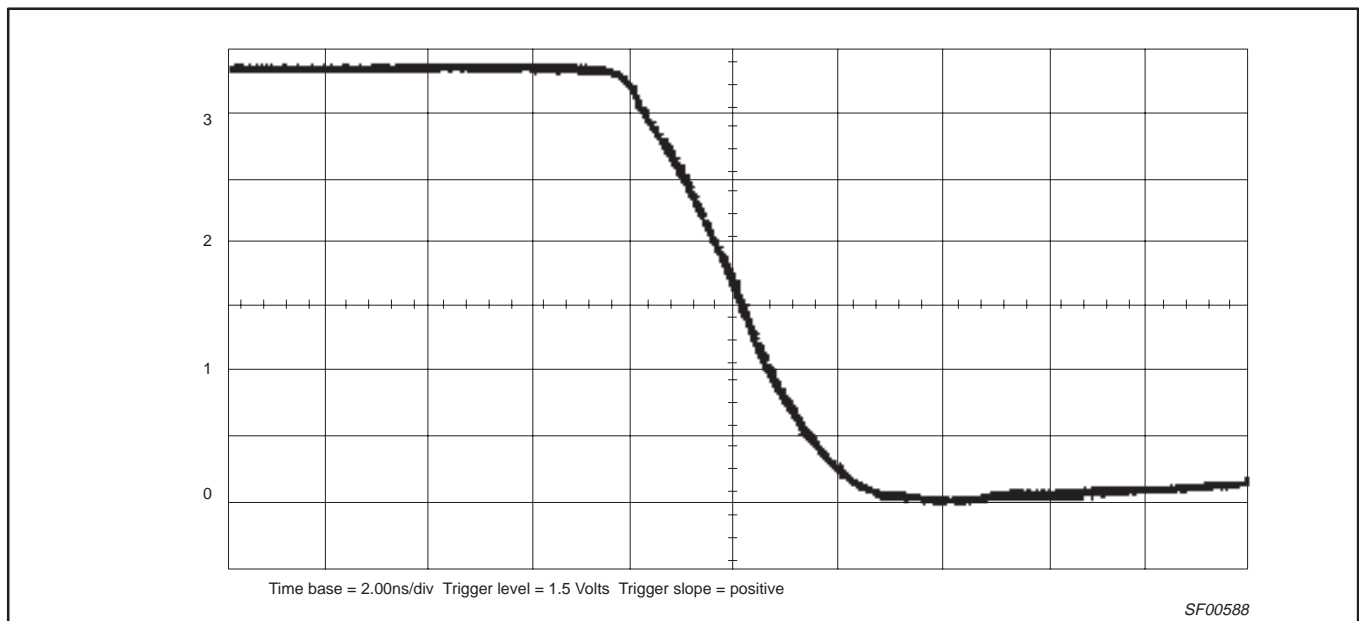
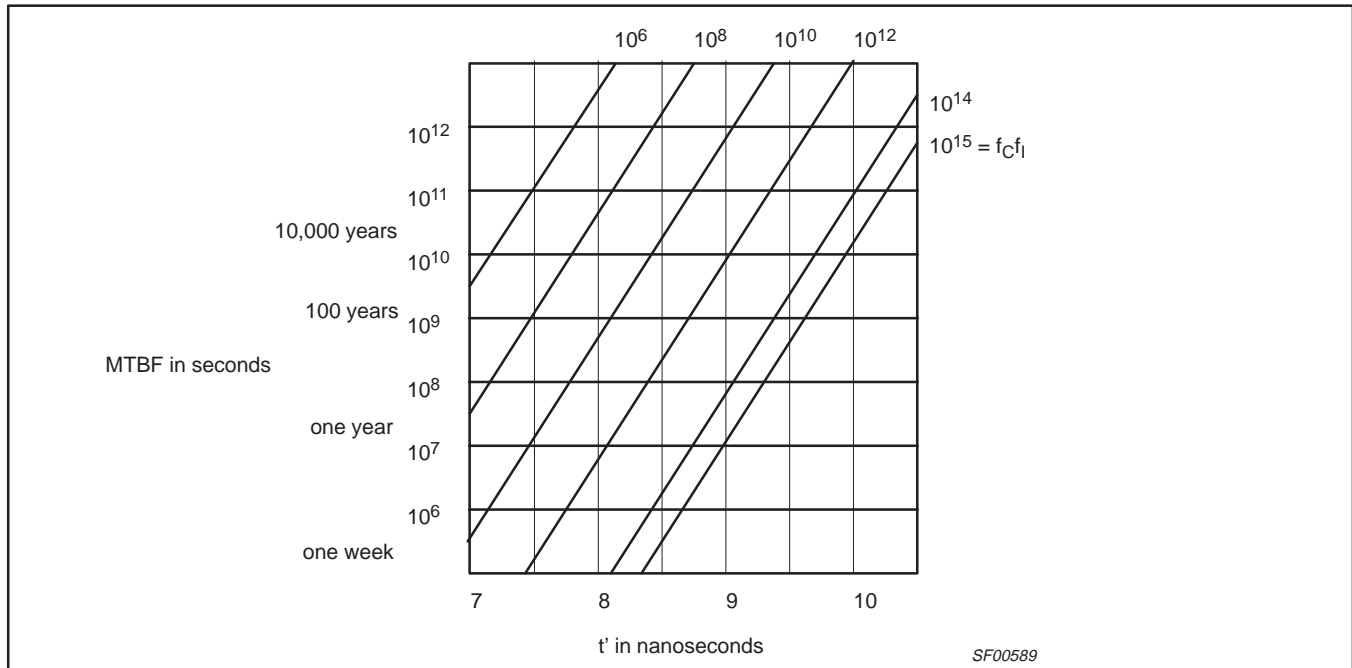


Figure 3. 74F74  $\bar{Q}$  Output triggered by Q output, set-up and hold times violated

# Synchronizing dual D-type flip-flop/clock driver

74F5074

## MEAN TIME BETWEEN FAILURES (MTBF) VERSUS $t'$



**NOTE:**  $V_{CC} = 5V$ ,  $T_{amb} = 25^{\circ}C$ ,  $\tau = 135ps$ ,  $T_0 = 9.8 \times 10^6 \text{ sec}$

Figure 4.

## TYPICAL VALUES FOR $\tau$ AND $T_0$ AT VARIOUS $V_{CC}$ S AND TEMPERATURES

$V_{CC}$	$T_{amb} = 0^{\circ}C$		$T_{amb} = 25^{\circ}C$		$T_{amb} = 70^{\circ}C$	
	$\tau$	$T_0$	$\tau$	$T_0$	$\tau$	$T_0$
5.5V	125ps	$1.0 \times 10^9 \text{ sec}$	138ps	$5.4 \times 10^6 \text{ sec}$	160ps	$1.7 \times 10^5 \text{ sec}$
5.0V	115ps	$1.3 \times 10^{10} \text{ sec}$	135ps	$9.8 \times 10^6 \text{ sec}$	167ps	$3.9 \times 10^4 \text{ sec}$
4.5V	115ps	$3.4 \times 10^{13} \text{ sec}$	132ps	$5.1 \times 10^8 \text{ sec}$	175ps	$7.3 \times 10^4 \text{ sec}$

## FUNCTION TABLE

INPUTS				OUTPUTS		OPERATING MODE
$\overline{SD}$	$\overline{RD}$	CP	D	Q	$\overline{Q}$	
L	H	X	X	H	L	Asynchronous set
H	L	X	X	L	H	Asynchronous reset
L	L	X	X	H	H	Undetermined*
H	H	$\uparrow$	h	H	L	Load "1"
H	H	$\uparrow$	l	L	H	Load "0"
H	H	$\nabla$	X	NC	NC	Hold

**NOTES:**

- H = High voltage level
- h = High voltage level one setup time prior to low-to-high clock transition
- L = Low voltage level
- l = Low voltage level one setup time prior to low-to-high clock transition
- NC = No change from the previous setup
- X = Don't care
- $\uparrow$  = Low-to-high clock transition
- $\nabla$  = Not low-to-high clock transition
- \* = This setup is unstable and will change when either set or reset return to the high level

## Synchronizing dual D-type flip-flop/clock driver

74F5074

**ABSOLUTE MAXIMUM RATINGS**

(Operation beyond the limit set forth in this table may impair the useful life of the device. Unless otherwise noted these limits are over the operating free air temperature range.)

SYMBOL	PARAMETER	RATING	UNIT
V <sub>CC</sub>	Supply voltage	-0.5 to +7.0	V
V <sub>IN</sub>	Input voltage	-0.5 to +7.0	V
I <sub>IN</sub>	Input current	-30 to +5	mA
V <sub>OUT</sub>	Voltage applied to output in high output state	-0.5 to V <sub>CC</sub>	V
I <sub>OUT</sub>	Current applied to output in low output state	40	mA
T <sub>amb</sub>	Operating free air temperature range	0 to +70	°C
T <sub>stg</sub>	Storage temperature range	-65 to +150	°C

**RECOMMENDED OPERATING CONDITIONS**

SYMBOL	PARAMETER		LIMITS			T <sub>A</sub> = -40 to +85°C
			MIN	NOM	MAX	UNIT
V <sub>CC</sub>	Supply voltage		4.5	5.0	5.5	V
V <sub>IH</sub>	High-level input voltage		2.0			V
V <sub>IL</sub>	Low-level input voltage				0.8	V
I <sub>IK</sub>	Input clamp current				-18	mA
I <sub>OH</sub>	High-level output current	V <sub>CC</sub> ± 10%			-12	mA
		V <sub>CC</sub> ± 5%			-15	mA
I <sub>OL</sub>	Low-level output current				20	mA
T <sub>amb</sub>	Operating free air temperature range		0		+70	°C

**DC ELECTRICAL CHARACTERISTICS**

(Over recommended operating free-air temperature range unless otherwise noted.)

SYMBOL	PARAMETER	TEST CONDITIONS <sup>1</sup>		LIMITS			UNIT	
				MIN	TYP <sup>2</sup>	MAX		
V <sub>OH</sub>	High-level output voltage	V <sub>CC</sub> = MIN, V <sub>IL</sub> = MAX, V <sub>IH</sub> = MIN	I <sub>OH</sub> = MAX	±10%V <sub>CC</sub>	2.5		V	
				±5%V <sub>CC</sub>	2.7	3.4	V	
V <sub>OL</sub>	Low-level output voltage	V <sub>CC</sub> = MIN, V <sub>IL</sub> = MAX, V <sub>IH</sub> = MIN	I <sub>OL</sub> = MAX	±10%V <sub>CC</sub>		0.30	0.50	V
				±5%V <sub>CC</sub>		0.30	0.50	V
V <sub>IK</sub>	Input clamp voltage	V <sub>CC</sub> = MIN, I <sub>I</sub> = I <sub>IK</sub>			-0.73	-1.2	V	
I <sub>I</sub>	Input current at maximum input voltage	V <sub>CC</sub> = MAX, V <sub>I</sub> = 7.0V				100	μA	
I <sub>IH</sub>	High-level input current	V <sub>CC</sub> = MAX, V <sub>I</sub> = 2.7V				20	μA	
I <sub>IL</sub>	Low-level input current	Dn	V <sub>CC</sub> = MAX, V <sub>I</sub> = 0.5V			-250	μA	
		CPn, $\overline{SDn}$ , $\overline{RDn}$	V <sub>CC</sub> = MAX, V <sub>I</sub> = 0.5V			-20	μA	
I <sub>OS</sub>	Short circuit output current <sup>3</sup>	V <sub>CC</sub> = MAX			-60	-150	mA	
I <sub>CC</sub>	Supply current <sup>4</sup> (total)	V <sub>CC</sub> = MAX			20	30	mA	

**NOTES:**

- For conditions shown as MIN or MAX, use the appropriate value specified under recommended operating conditions for the applicable type.
- All typical values are at V<sub>CC</sub> = 5V, T<sub>amb</sub> = 25°C.
- Not more than one output should be shorted at a time. For testing I<sub>OS</sub>, the use of high-speed test apparatus and/or sample-and-hold techniques are preferable in order to minimize internal heating and more accurately reflect operational values. Otherwise, prolonged shorting of a high output may raise the chip temperature well above normal and thereby cause invalid readings in other parameter tests. In any sequence of parameter tests, I<sub>OS</sub> tests should be performed last.
- Measure I<sub>CC</sub> with the clock input grounded and all outputs open, then with Q and  $\overline{Q}$  outputs high in turn.

## Synchronizing dual D-type flip-flop/clock driver

74F5074

## AC ELECTRICAL CHARACTERISTICS

SYMBOL	PARAMETER	TEST CONDITION	LIMITS					UNIT
			T <sub>amb</sub> = +25°C V <sub>CC</sub> = +5.0V C <sub>L</sub> = 50pF, R <sub>L</sub> = 500Ω			T <sub>amb</sub> = 0°C to +70°C V <sub>CC</sub> = +5.0V ± 10% C <sub>L</sub> = 50pF, R <sub>L</sub> = 500Ω		
			MIN	TYP	MAX	MIN	MAX	
f <sub>max</sub>	Maximum clock frequency	Waveform 1	105	120		90		ns
t <sub>PLH</sub> t <sub>PHL</sub>	Propagation delay CPn to Qn or $\bar{Q}$ n	Waveform 1	2.0 2.0	3.9 3.9	6.0 6.0	1.5 2.0	6.5 6.5	ns
t <sub>PLH</sub> t <sub>PHL</sub>	Propagation delay $\bar{S}$ Dn, RDn to Qn or $\bar{Q}$ n	Waveform 2	3.0 3.0	4.5 5.0	7.5 7.5	2.5 2.5	8.0 8.0	ns
t <sub>sk(o)</sub>	Output skew <sup>1,2</sup>	Waveform 4			1.5		1.5	ns

## NOTES:

1. |t<sub>PN</sub> actual – t<sub>PM</sub> actual| for any output compared to any other output where N and M are either LH or HL.
2. Skew times are valid only under same test conditions (temperature, V<sub>CC</sub>, loading, etc.,).

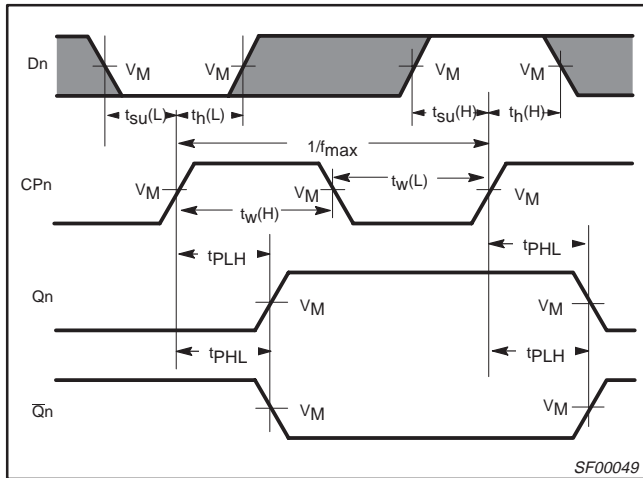
## AC SETUP REQUIREMENTS

SYMBOL	PARAMETER	TEST CONDITION	LIMITS					UNIT
			T <sub>amb</sub> = +25°C V <sub>CC</sub> = +5.0V C <sub>L</sub> = 50pF, R <sub>L</sub> = 500Ω			T <sub>amb</sub> = 0°C to +70°C V <sub>CC</sub> = +5.0V ± 10% C <sub>L</sub> = 50pF, R <sub>L</sub> = 500Ω		
			MIN	TYP	MAX	MIN	MAX	
t <sub>su</sub> (H) t <sub>su</sub> (L)	Setup time, high or low Dn to CPn	Waveform 1	1.5 1.5			2.0 2.0		ns
t <sub>h</sub> (H) t <sub>h</sub> (L)	Hold time, high or low Dn to CPn	Waveform 1	1.0 1.0			1.5 1.5		ns
t <sub>w</sub> (H) t <sub>w</sub> (L)	CPn pulse width, high or low	Waveform 1	3.0 4.0			3.0 4.5		ns
t <sub>w</sub> (L)	$\bar{S}$ Dn or RDn pulse width, low	Waveform 2	3.0			4.0		ns
t <sub>rec</sub>	Recovery time $\bar{S}$ Dn or RDn to CPn	Waveform 3	3.0			3.5		ns

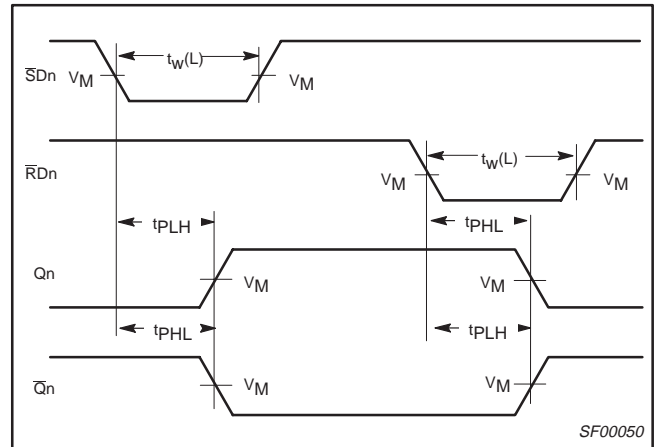
# Synchronizing dual D-type flip-flop/clock driver

74F5074

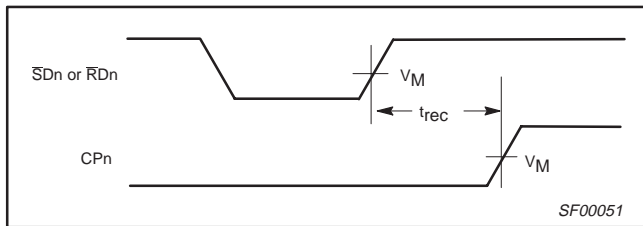
## AC WAVEFORMS



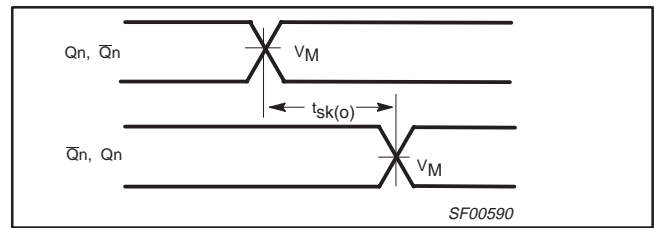
Waveform 1. Propagation delay for data to output, data setup time and hold times, and clock width, and maximum clock frequency



Waveform 2. Propagation delay for set and reset to output, set and reset pulse width



Waveform 3. Recovery time for set or reset to output



Waveform 4. Output skew

**NOTES:**

For all waveforms,  $V_M = 1.5V$ .  
The shaded areas indicate when the input is permitted to change for predictable output performance.

## TEST CIRCUIT AND WAVEFORMS

**Test Circuit for Totem-Pole Outputs**

**DEFINITIONS:**

- $R_L$  = Load resistor; see AC ELECTRICAL CHARACTERISTICS for value.
- $C_L$  = Load capacitance includes jig and probe capacitance; see AC ELECTRICAL CHARACTERISTICS for value.
- $R_T$  = Termination resistance should be equal to  $Z_{OUT}$  of pulse generators.

**Input Pulse Definition**

family	INPUT PULSE REQUIREMENTS					
	amplitude	$V_M$	rep. rate	$t_w$	$t_{TLH}$ ( $t_r$ )	$t_{THL}$ ( $t_f$ )
74F	3.0V	1.5V	1MHz	500ns	2.5ns	2.5ns

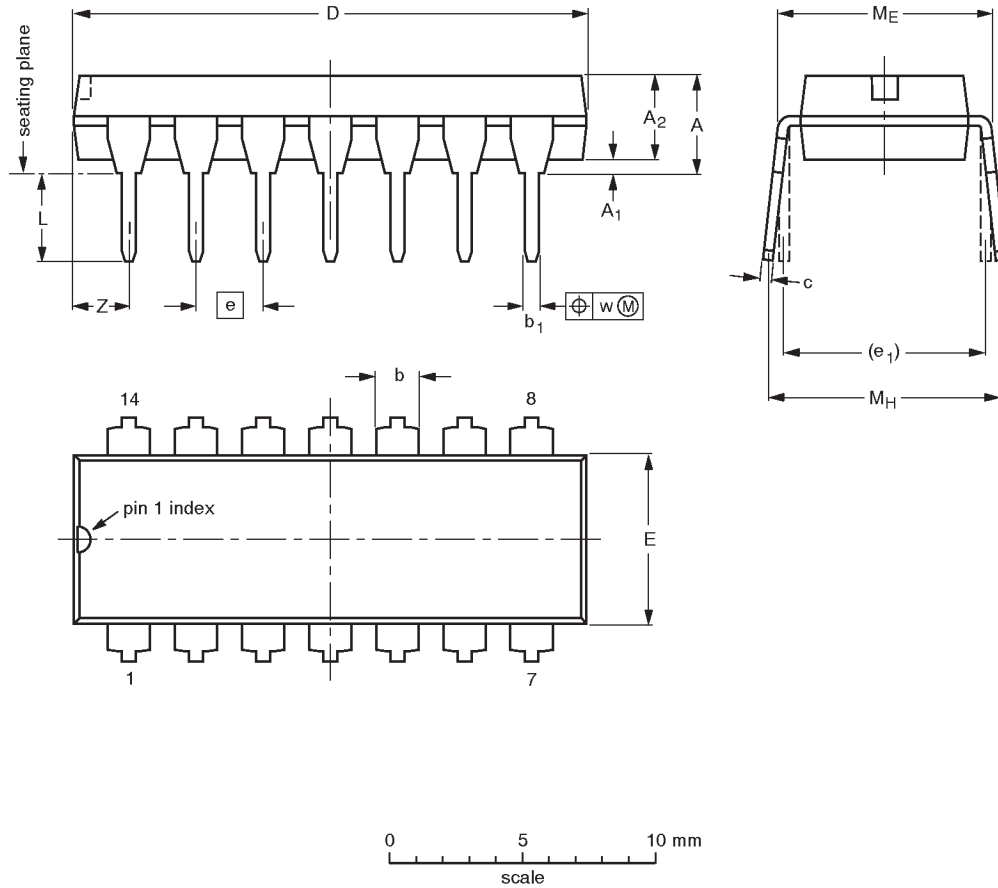
SF00006

# Synchronizing dual D-type flip-flop/clock driver

74F5074

DIP14: plastic dual in-line package; 14 leads (300 mil)

SOT27-1



**DIMENSIONS (inch dimensions are derived from the original mm dimensions)**

UNIT	A max.	A <sub>1</sub> min.	A <sub>2</sub> max.	b	b <sub>1</sub>	c	D <sup>(1)</sup>	E <sup>(1)</sup>	e	e <sub>1</sub>	L	M <sub>E</sub>	M <sub>H</sub>	w	Z <sup>(1)</sup> max.
mm	4.2	0.51	3.2	1.73 1.13	0.53 0.38	0.36 0.23	19.50 18.55	6.48 6.20	2.54	7.62	3.60 3.05	8.25 7.80	10.0 8.3	0.254	2.2
inches	0.17	0.020	0.13	0.068 0.044	0.021 0.015	0.014 0.009	0.77 0.73	0.26 0.24	0.10	0.30	0.14 0.12	0.32 0.31	0.39 0.33	0.01	0.087

**Note**

1. Plastic or metal protrusions of 0.25 mm maximum per side are not included.

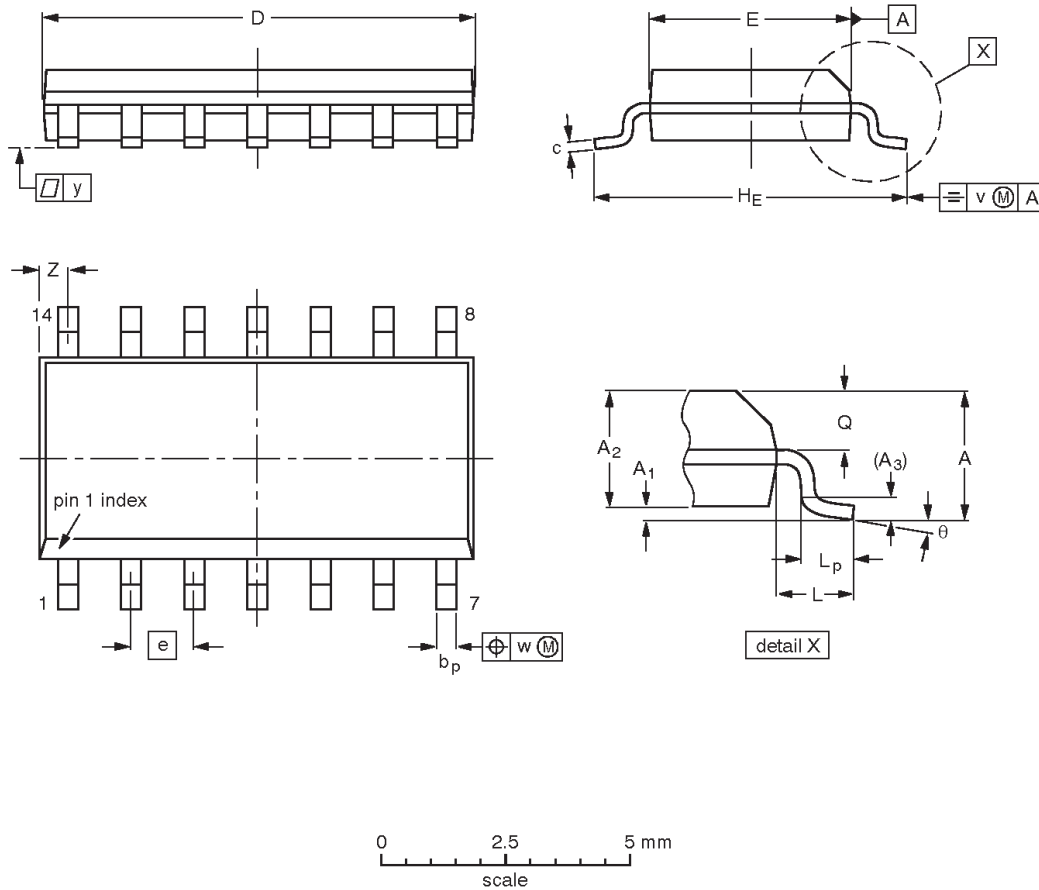
OUTLINE VERSION	REFERENCES			EUROPEAN PROJECTION	ISSUE DATE
	IEC	JEDEC	EIAJ		
SOT27-1	050G04	MO-001AA			92-11-17 95-03-11

# Synchronizing dual D-type flip-flop/clock driver

74F5074

**SO14: plastic small outline package; 14 leads; body width 3.9 mm**

**SOT108-1**



**DIMENSIONS (inch dimensions are derived from the original mm dimensions)**

UNIT	A max.	A <sub>1</sub>	A <sub>2</sub>	A <sub>3</sub>	b <sub>p</sub>	c	D <sup>(1)</sup>	E <sup>(1)</sup>	e	H <sub>E</sub>	L	L <sub>p</sub>	Q	v	w	y	Z <sup>(1)</sup>	θ
mm	1.75	0.25 0.10	1.45 1.25	0.25	0.49 0.36	0.25 0.19	8.75 8.55	4.0 3.8	1.27	6.2 5.8	1.05	1.0 0.4	0.7 0.6	0.25	0.25	0.1	0.7 0.3	8° 0°
inches	0.069	0.010 0.004	0.057 0.049	0.01	0.019 0.014	0.0100 0.0075	0.35 0.34	0.16 0.15	0.050	0.244 0.228	0.041	0.039 0.016	0.028 0.024	0.01	0.01	0.004	0.028 0.012	

**Note**

1. Plastic or metal protrusions of 0.15 mm maximum per side are not included.

OUTLINE VERSION	REFERENCES				EUROPEAN PROJECTION	ISSUE DATE
	IEC	JEDEC	EIAJ			
SOT108-1	076E06S	MS-012AB				95-01-29 97-05-22

---

Synchronizing dual D-type flip-flop/clock driver

74F5074

---

**NOTES**

## Synchronizing dual D-type flip-flop/clock driver

74F5074

## Data sheet status

Data sheet status	Product status	Definition [1]
Objective specification	Development	This data sheet contains the design target or goal specifications for product development. Specification may change in any manner without notice.
Preliminary specification	Qualification	This data sheet contains preliminary data, and supplementary data will be published at a later date. Philips Semiconductors reserves the right to make changes at any time without notice in order to improve design and supply the best possible product.
Product specification	Production	This data sheet contains final specifications. Philips Semiconductors reserves the right to make changes at any time without notice in order to improve design and supply the best possible product.

[1] Please consult the most recently issued datasheet before initiating or completing a design.

## Definitions

**Short-form specification** — The data in a short-form specification is extracted from a full data sheet with the same type number and title. For detailed information see the relevant data sheet or data handbook.

**Limiting values definition** — Limiting values given are in accordance with the Absolute Maximum Rating System (IEC 134). Stress above one or more of the limiting values may cause permanent damage to the device. These are stress ratings only and operation of the device at these or at any other conditions above those given in the Characteristics sections of the specification is not implied. Exposure to limiting values for extended periods may affect device reliability.

**Application information** — Applications that are described herein for any of these products are for illustrative purposes only. Philips Semiconductors make no representation or warranty that such applications will be suitable for the specified use without further testing or modification.

## Disclaimers

**Life support** — These products are not designed for use in life support appliances, devices or systems where malfunction of these products can reasonably be expected to result in personal injury. Philips Semiconductors customers using or selling these products for use in such applications do so at their own risk and agree to fully indemnify Philips Semiconductors for any damages resulting from such application.

**Right to make changes** — Philips Semiconductors reserves the right to make changes, without notice, in the products, including circuits, standard cells, and/or software, described or contained herein in order to improve design and/or performance. Philips Semiconductors assumes no responsibility or liability for the use of any of these products, conveys no license or title under any patent, copyright, or mask work right to these products, and makes no representations or warranties that these products are free from patent, copyright, or mask work right infringement, unless otherwise specified.

Philips Semiconductors  
811 East Arques Avenue  
P.O. Box 3409  
Sunnyvale, California 94088-3409  
Telephone 800-234-7381

© Copyright Philips Electronics North America Corporation 1998  
All rights reserved. Printed in U.S.A.

print code

Date of release: 10-98

Document order number:

9397-750-05207

*Let's make things better.*

## Looking for pricing, stock, or lifecycle information?

Click below to explore more details on WIN SOURCE:

 [View N74F5074D,623 on WIN SOURCE](#)

 [NXP / Nexperia Information](#)

## Optimize Your Supply Chain with WIN SOURCE Solutions

-  Global Sourcing Solution
-  Obsolete Management
-  Cost Control Management
-  Shortage Management
-  Alternative Solution
-  Excess Inventory Management