



**THE DATASHEET OF
MX7821KR+**



MAXIM

660ns μ P-Compatible, 8-Bit ADC with Track/Hold

MX7821

General Description

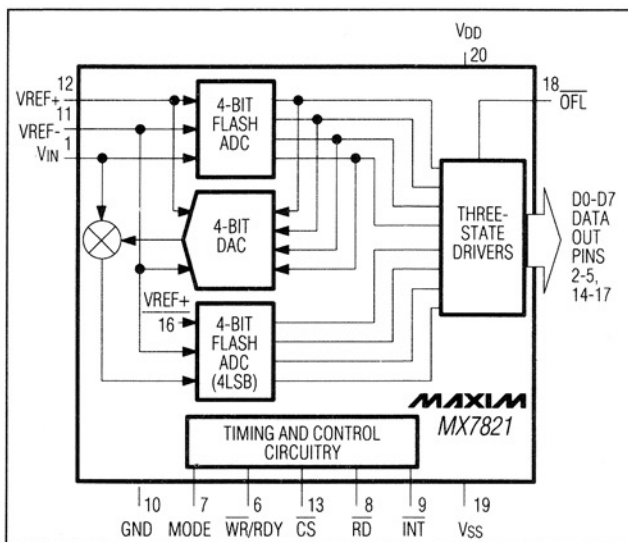
The MX7821 high-speed, microprocessor-compatible (μ P), 8-bit analog-to-digital converter (ADC) is a plug-in upgrade for the industry-standard 7820. The MX7821 uses a half-flash technique, resulting in a 660ns conversion time vs. 1.36 μ s for the 7820. A VSS pin, not supplied by the 7820, supports dual power supplies and bipolar analog inputs.

The MX7821 has track-and-hold function capable of digitizing a 100kHz signal, and is tested for both its static and dynamic capability. The converter- μ P interface appears as a memory location or input/output port that requires no external interface logic. The data outputs use latched, three-state buffered circuitry for direct connection to a μ P data bus or system input port. The MX7821 has an overflow output for cascading devices to attain higher resolution. The ADC's input/reference arrangement enables ratiometric operation. For a detailed description of MX7821 operation, refer to the MX7820 data sheet.

Applications

Digital-Signal Processing
High-Speed Data Acquisition
Telecommunications
High-Speed Servo Loops
Audio Systems

Functional Diagram



Features

- ◆ 660ns Conversion Time
- ◆ 20-Pin Narrow DIP Package
- ◆ No External Clock
- ◆ Pin-Compatible Upgrade for Industry-Standard 7820
- ◆ 100kHz Input Signal Bandwidth
- ◆ Bipolar/Unipolar Inputs
- ◆ Single +5V or Dual \pm 5V Supplies
- ◆ Ratiometric Reference Inputs
- ◆ Static and Dynamic Tested
- ◆ Internal Track/Hold

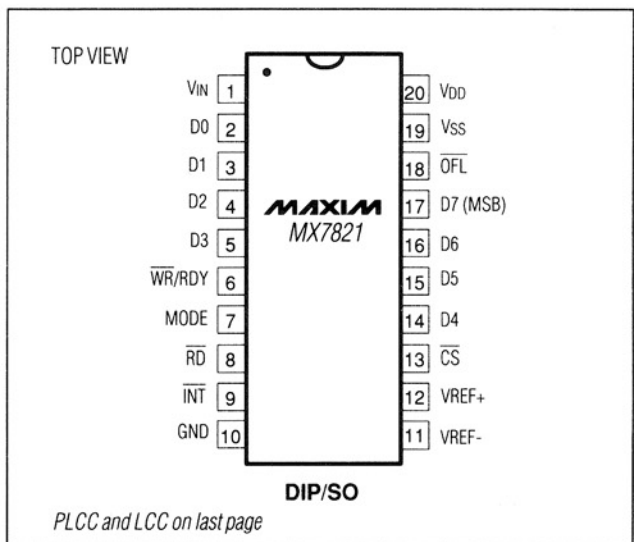
Ordering Information

PART	TEMP. RANGE	PIN-PACKAGE
MX7821KN	0°C to +70°C	20 Plastic DIP
MX7821KR	0°C to +70°C	20 Wide SO
MX7821KP	0°C to +70°C	20 PLCC
MX7821K/D	0°C to +70°C	Dice*
MX7821BQ	-40°C to +85°C	20 CERDIP
MX7821KEWP	-40°C to +85°C	20 Wide SO
MX7821TE	-55°C to +125°C	20 LCC**
MX7821TQ	-55°C to +125°C	20 CERDIP**

* Contact factory for dice specifications.

** Contact factory for availability and processing to MIL-STD-883.

Pin Configurations


MAXIM

Maxim Integrated Products 1

For pricing, delivery, and ordering information, please contact Maxim/Dallas Direct! at 1-888-629-4642, or visit Maxim's website at www.maxim-ic.com.

660ns μ P-Compatible, 8-Bit ADC with Track/Hold

ABSOLUTE MAXIMUM RATINGS

V _{DD} to GND	-0.3V to +7V
V _{SS} to GND	+0.3V to -7V
Digital Output Voltage to GND (Pins 2-5, 9, 14-16, 18)	-0.3V to V _{DD} +0.3V
V _{REF+} to AGND	V _{SS} -0.3V to V _{DD} +0.3V
V _{REF-} to AGND	V _{SS} -0.3V to V _{DD} +0.3V
V _{IN} to GND	V _{SS} -0.3V to V _{DD} +0.3V
Continuous Power Dissipation (any package) to +75°C	1000mW
derate above +75°C by	10mW/°C

Operating Temperature Ranges:	
MX7821K	0°C to +70°C
MX7821B	-40°C to +85°C
MX7821T	-55°C to +125°C
Storage Temperature Range	-65°C to +150°C
Lead Temperature (soldering, 10 sec)	+300°C

Stresses beyond those listed under "Absolute Maximum Ratings" may cause permanent damage to the device. These are stress ratings only, and functional operation of the device at these or any other conditions beyond those indicated in the operational sections of the specifications is not implied. Exposure to absolute maximum rating conditions for extended periods may affect device reliability.

ELECTRICAL CHARACTERISTICS

(V_{DD} = +5V \pm 5%; GND = 0V; Unipolar Input Range: V_{SS} = 0V, V_{REF+} = 5V, V_{REF-} = 0V; Bipolar Input Range: V_{SS} = -5V \pm 5%, V_{REF+} = 2.5V, V_{REF-} = -2.5V; specifications apply for RD mode, Pin 7 = 0V; T_A = T_{MIN} to T_{MAX}, unless otherwise noted.) (Note 1)

PARAMETER	SYMBOL	CONDITIONS	MIN	TYP	MAX	UNITS
UNIPOLAR INPUT RANGE						
Resolution	N		8			Bits
Total Unadjusted Error (Note 2)	TUE				± 1	LSB
No Missing Codes Resolution			8			Bits
BIPOLAR INPUT RANGE						
Resolution	N		8			Bits
Zero-Code Error					± 1	LSB
Full-Scale Error					± 1	LSB
Signal-to-Noise Ratio	SNR	V _{IN} = 99.85kHz full-scale sine wave with f _{SAMPLING} = 500kHz	45			dB
Total Harmonic Distortion	THD	V _{IN} = 99.85kHz full-scale sine wave with f _{SAMPLING} = 500kHz			-50	dB
Peak Harmonic or Spurious Noise		V _{IN} = 99.85kHz full-scale sine wave with f _{SAMPLING} = 500kHz			-50	dB
Intermodulation Distortion	IMD	f _a (84.72kHz) and f _b (94.97kHz) full-scale sine waves with f _{SAMPLING} = 500kHz	2nd-order terms		-50	dB
			3rd-order terms		-50	
Slew Rate, Tracking				2.36	1.6	V/ μ s
REFERENCE INPUT						
Input Resistance		Resistance between V _{REF+} and V _{REF-}	1		4	k Ω
V _{REF+} Input Range			V _{REF-}		V _{DD}	V
V _{REF-} Input Range			V _{SS}		V _{REF+}	V
ANALOG INPUT						
Input Voltage Range			V _{REF-}		V _{REF+}	V
Input Leakage Current		-5V \leq V _{IN} \leq 5V			± 3	μ A
Input Capacitance	C _{IN}			32		pF

660ns μ P-Compatible, 8-Bit ADC with Track/Hold

MX7821

ELECTRICAL CHARACTERISTICS (continued)

($V_{DD} = +5V \pm 5\%$; $GND = 0V$; Unipolar Input Range: $V_{SS} = 0V$, $V_{REF+} = 5V$, $V_{REF-} = 0V$; Bipolar Input Range: $V_{SS} = -5V \pm 5\%$, $V_{REF+} = 2.5V$, $V_{REF-} = -2.5V$; specifications apply for RD mode, Pin 7 = 0V; $T_A = T_{MIN}$ to T_{MAX} , unless otherwise noted.) (Note 1)

PARAMETER	SYMBOL	CONDITIONS	MIN	TYP	MAX	UNITS
LOGIC INPUTS						
Input High Voltage	V_{INH}	\overline{CS} , \overline{WR} , \overline{RD}	2.4			V
		MODE	3.5			
Input Low Voltage	V_{INL}	\overline{CS} , \overline{WR} , \overline{RD}			0.8	V
		MODE			1.5	
Input High Current	I_{INH}	\overline{CS} , \overline{RD}			1	μ A
		\overline{WR}			3	
		MODE	50	200		
Input Low Current	I_{INL}				-1	μ A
Input Capacitance (Note 3)	C_{IN}		5		8	pF
LOGIC OUTPUTS						
Output Low Voltage	V_{OL}	D7–D0, \overline{INT} , \overline{OFL} ; $I_{SINK} = 1.6mA$			0.4	V
		RDY; $I_{SINK} = 2.6mA$			0.4	
Output High Voltage	V_{OH}	D7–D0, \overline{INT} , \overline{OFL} ; $I_{SOURCE} = -360\mu A$	4.0			V
Floating State Leakage Current	I_{LKG}	D7–D0, RDY			± 3	μ A
Floating State Output Capacitance (Note 3)	C_{OUT}	D7–D0, RDY	5		8	pF
POWER REQUIREMENTS						
Supply Current	I_{DD}	CS = RD = 0V	MX7821K		15	mA
			MAX7821B/T		20	
	I_{SS}				100	μ A
Power Dissipation	P_D		50			mW
Power-Supply Sensitivity	PSR	$V_{DD} = 4.75V$ to $5.25V$, $V_{REF+} = 4.75V$ MAX for unipolar mode	$\pm 1/16$	$\pm 1/4$		LSB

Note 1: Performance over power-supply tolerance guaranteed by power-supply rejection test.

Note 2: Total Unadjusted Error includes relative accuracy, zero-code error, and full-scale error.

Note 3: Guaranteed by design.

TIMING CHARACTERISTICS

($V_{DD} = +5V$, $V_{SS} = 0V$ or $-5V$, Unipolar or Bipolar Input Range, $T_A = +25^\circ C$, unless otherwise noted.)

PARAMETER	SYMBOL	CONDITIONS	MIN	TYP	MAX	UNITS
\overline{CS} to $\overline{RD}/\overline{WR}$ Setup Time	t_{CSS}		0			ns
\overline{CS} to $\overline{RD}/\overline{WR}$ Hold Time	t_{CSH}		0			ns
\overline{CS} to RDY Delay (Note 4)	t_{RDY}	$T_A = +25^\circ C$			70	ns
		$T_A = T_{MIN}$ to T_{MAX}	MX7821B/K		85	
			MX7821T		100	
Conversion Time (RD Mode)	t_{CRD}	$T_A = +25^\circ C$			700	ns
		$T_A = T_{MIN}$ to T_{MAX}	MX7821B/K		875	
			MX7821T		975	

660ns μ P-Compatible, 8-Bit ADC with Track/Hold

MX7821

TIMING CHARACTERISTICS (continued)

($V_{DD} = +5V$, $V_{SS} = 0V$ or $-5V$, Unipolar or Bipolar Input Range, $T_A = +25^\circ C$, unless otherwise noted.)

PARAMETER	SYMBOL	CONDITIONS	MIN	TYP	MAX	UNITS	
Data-Access Time (RD Mode) (Note 5)	t_{ACC0}	$T_A = +25^\circ C$, $C_L = 20pF$			$t_{CRD}+25$	ns	
		$T_A = T_{MIN}$ to T_{MAX} , $C_L = 20pF$	MX7821B/K		$t_{CRD}+30$		
			MX7821T		$t_{CRD}+35$		
		$T_A = +25^\circ C$, $C_L = 100pF$			$t_{CRD}+50$		
		$T_A = T_{MIN}$ to T_{MAX} , $C_L = 100pF$	MX7821B/K		$t_{CRD}+65$		
MX7821T			$t_{CRD}+75$				
\overline{RD} to \overline{INT} Delay (RD Mode)	t_{INTH}	$T_A = +25^\circ C$, $C_L = 50pF$		50	80	ns	
		$T_A = T_{MIN}$ to T_{MAX} , $C_L = 50pF$	MX7821B/K		85		
			MX7821T		90		
Data-Hold Time (Note 6)	t_{DH}	$T_A = +25^\circ C$			60	ns	
		$T_A = T_{MIN}$ to T_{MAX}	MX7821B/K		70		
			MX7821T		80		
Delay Time Between Conversions	t_p	$T_A = +25^\circ C$	350			ns	
		$T_A = T_{MIN}$ to T_{MAX}	MX7821B/K	425			
			MX7821T	500			
Write Pulse Width	t_{WR}	$T_A = +25^\circ C$	0.250		10	μs	
		$T_A = T_{MIN}$ to T_{MAX}	MX7821B/K	0.325			10
			MX7821T	0.400			10
Delay Time Between WR and RD Pulses	t_{RD}	$T_A = +25^\circ C$	250			ns	
		$T_A = T_{MIN}$ to T_{MAX}	MX7821B/K	350			
			MX7821T	450			
\overline{RD} Pulse Width (WR-RD Mode) Determined by t_{ACC1}	t_{READ1}	$T_A = +25^\circ C$ (Figure 3)	160			ns	
		$T_A = T_{MIN}$ to T_{MAX} (Figure 3)	MX7821B/K	205			
			MX7821T	240			
Data-Access Time (WR-RD Mode) (Note 5)	t_{ACC1}	$T_A = +25^\circ C$, $C_L = 20pF$ (Figure 3) (Note 3)			160	ns	
		$T_A = T_{MIN}$ to T_{MAX} , $C_L = 20pF$ (Figure 3) (Note 3)	MX7821B/K		205		
			MX7821T		240		
		$T_A = +25^\circ C$, $C_L = 100pF$ (Figure 3)			185		
		$T_A = T_{MIN}$ to T_{MAX} , $C_L = 100pF$ (Figure 3)	MX7821B/K		235		
MX7821T			275				
\overline{RD} to \overline{INT} Delay	t_{RI}	$T_A = +25^\circ C$			150	ns	
		$T_A = T_{MIN}$ to T_{MAX}	MX7821B/K		185		
			MX7821T		220		
\overline{WR} to \overline{INT} Delay	t_{INTL}	$T_A = +25^\circ C$, $C_L = 50pF$		380	500	ns	
		$T_A = T_{MIN}$ to T_{MAX} , $C_L = 50pF$	MX7821B/K		610		
			MX7821T		700		

660ns μ P-Compatible, 8-Bit ADC with Track/Hold

MX7821

TIMING CHARACTERISTICS (continued)

(V_{DD} = +5V, V_{SS} = 0V or -5V, Unipolar or Bipolar Input Range, T_A = +25°C, unless otherwise noted.)

PARAMETER	SYMBOL	CONDITIONS	MIN	TYP	MAX	UNITS
RD Pulse Width (WR-RD Mode) Determined by t _{ACC2}	t _{READ2}	T _A = +25°C (Figure 4)			65	ns
		T _A = T _{MIN} to T _{MAX} (Figure 4)	MX7821B/K		75	
			MX7821T		85	
Data-Access Time (WR-RD Mode) (Note 5)	t _{ACC2}	T _A = +25°C, C _L = 20pF (Figure 4) (Note 3)			65	ns
		T _A = T _{MIN} to T _{MAX} , C _L = 20pF (Note 3)	MX7821B/K		75	
			MX7821T		85	
		T _A = +25°C, C _L = 100pF (Figure 4)			90	
		T _A = T _{MIN} to T _{MAX} , C _L = 100pF (Figure 4)	MX7821B/K		110	
MX7821T			130			
WR to INT Delay (Stand-Alone Operation)	t _{HWR}	T _A = +25°C, C _L = 50pF			80	ns
		T _A = T _{MIN} to T _{MAX} , C _L = 50pF	MX7821B/K		100	
			MX7821T		120	
Data-Access Time After INT (Stand-Alone Operation) (Note 5)	t _{ID}	T _A = +25°C, C _L = 20pF (Note 3)			30	ns
		T _A = T _{MIN} to T _{MAX} , C _L = 20pF (Note 3)	MX7821B/K		35	
			MX7821T		40	
		T _A = +25°C, C _L = 100pF			45	
		T _A = T _{MIN} to T _{MAX} , C _L = 100pF	MX7821B/K		60	
MX7821T			70			

Note 3: Guaranteed by design.

Note 4: C_L = 50pF and R_L = 5k Ω pull-up resistor.

Note 5: See Figure 1 for load circuit. Parameter defined as the time required for the output to cross +0.8V or +2.4V.

Note 6: See Figure 2 for load circuit. Parameter defined as the time required for data lines to change 0.5V.

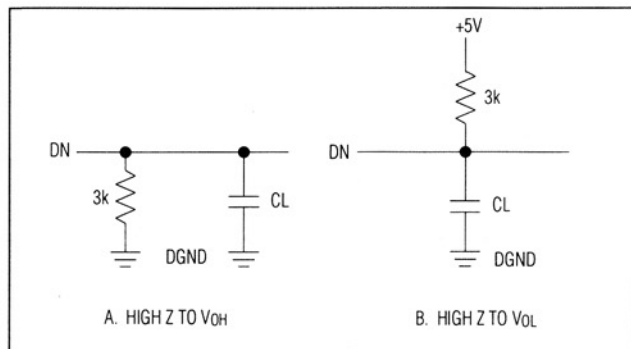


Figure 1. Load Circuits for Data-Access Time Test

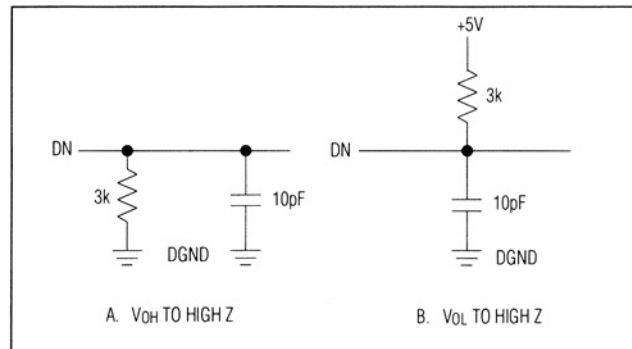


Figure 2. Load Circuits for Data-Hold Time Test

660ns μ P-Compatible, 8-Bit ADC with Track/Hold

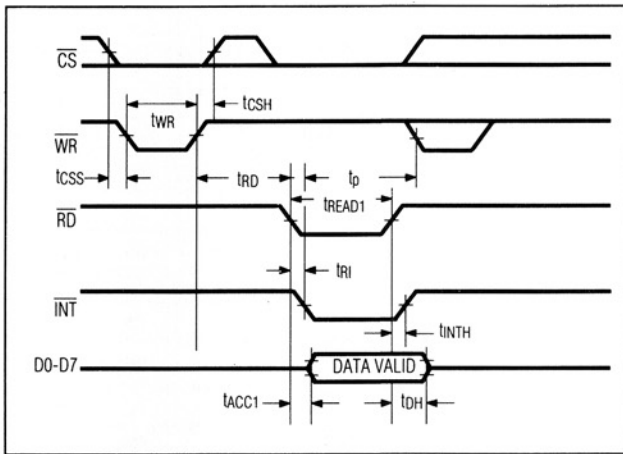


Figure 3. WR-RD Mode Timing ($t_{RD} < t_{INTL}$)

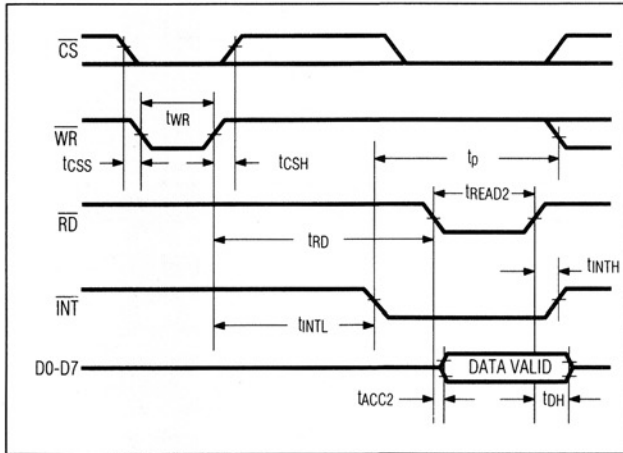


Figure 4. WR-RD Mode Timing ($t_{RD} > t_{INTL}$)

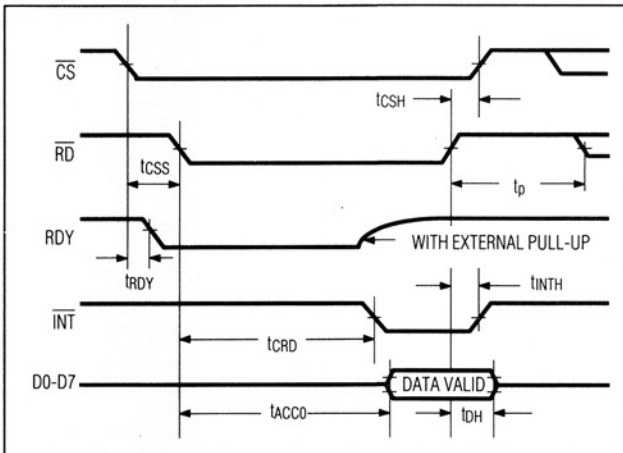


Figure 5. RD Mode

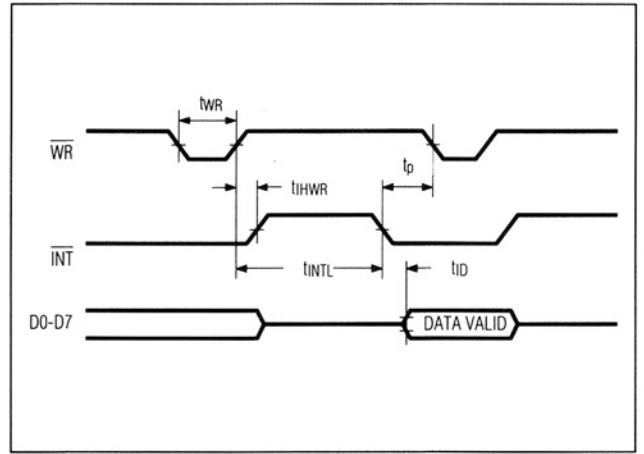
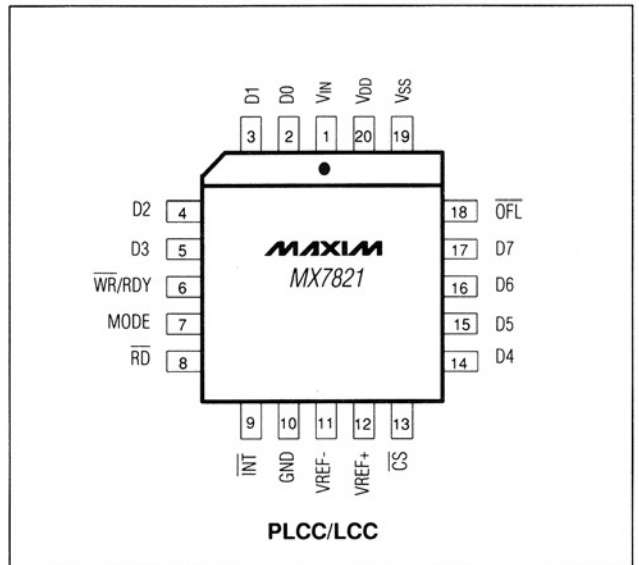


Figure 6. WR-RD Mode Stand-Alone Operation ($\overline{CS} = \overline{RD} = 0$)

Pin Configurations (continued)



For application information, refer to the MX7820 data sheet.

660ns μ P-Compatible, 8-Bit ADC with Track/Hold

Package Information

MX7821

(The package drawing(s) in this data sheet may not reflect the most current specifications. For the latest package outline information go to www.maxim-ic.com/packages.)

**Plastic DIP
PLASTIC
DUAL-IN-LINE
PACKAGE
(0.300 in.)**

DIM	INCHES		MILLIMETERS	
	MIN	MAX	MIN	MAX
A	–	0.200	–	5.08
A1	0.015	–	0.38	–
A2	0.125	0.175	3.18	4.45
A3	0.055	0.080	1.40	2.03
B	0.016	0.022	0.41	0.56
B1	0.045	0.065	1.14	1.65
C	0.008	0.012	0.20	0.30
D1	0.005	0.080	0.13	2.03
E	0.300	0.325	7.62	8.26
E1	0.240	0.310	6.10	7.87
e	0.100	–	2.54	–
eA	0.300	–	7.62	–
eB	–	0.400	–	10.16
L	0.115	0.150	2.92	3.81

PKG.	DIM	PINS	INCHES		MILLIMETERS	
			MIN	MAX	MIN	MAX
P	D	8	0.348	0.390	8.84	9.91
P	D	14	0.735	0.765	18.67	19.43
P	D	16	0.745	0.765	18.92	19.43
P	D	18	0.885	0.915	22.48	23.24
P	D	20	1.015	1.045	25.78	26.54
N	D	24	1.14	1.265	28.96	32.13

21-0043A

**Wide SO
SMALL-OUTLINE
PACKAGE
(0.300 in.)**

DIM	INCHES		MILLIMETERS	
	MIN	MAX	MIN	MAX
A	0.093	0.104	2.35	2.65
A1	0.004	0.012	0.10	0.30
B	0.014	0.019	0.35	0.49
C	0.009	0.013	0.23	0.32
E	0.291	0.299	7.40	7.60
e	0.050		1.27	
H	0.394	0.419	10.00	10.65
L	0.016	0.050	0.40	1.27

DIM	PINS	INCHES		MILLIMETERS	
		MIN	MAX	MIN	MAX
D	16	0.398	0.413	10.10	10.50
D	18	0.447	0.463	11.35	11.75
D	20	0.496	0.512	12.60	13.00
D	24	0.598	0.614	15.20	15.60
D	28	0.697	0.713	17.70	18.10

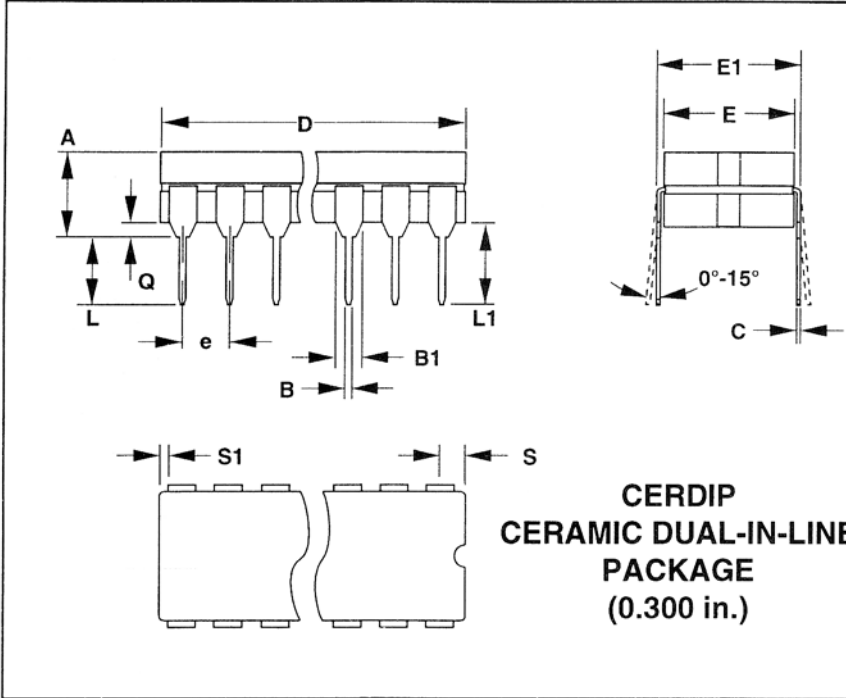
21-0042A

MX7821

660ns μ P-Compatible, 8-Bit ADC with Track/Hold

Package Information (continued)

(The package drawing(s) in this data sheet may not reflect the most current specifications. For the latest package outline information go to www.maxim-ic.com/packages.)



DIM	INCHES		MILLIMETERS	
	MIN	MAX	MIN	MAX
A	—	0.200	—	5.08
B	0.014	0.023	0.36	0.58
B1	0.038	0.065	0.97	1.65
C	0.008	0.015	0.20	0.38
E	0.220	0.310	5.59	7.87
E1	0.290	0.320	7.37	8.13
e	0.100		2.54	
L	0.125	0.200	3.18	5.08
L1	0.150	—	3.81	—
Q	0.015	0.070	0.38	1.78
S	—	0.098	—	2.49
S1	0.005	—	0.13	—

DIM	PINS	INCHES		MILLIMETERS	
		MIN	MAX	MIN	MAX
D	8	—	0.405	—	10.29
D	14	—	0.785	—	19.94
D	16	—	0.840	—	21.34
D	18	—	0.960	—	24.38
D	20	—	1.060	—	26.92
D	24	—	1.280	—	32.51

21-0045A

Maxim cannot assume responsibility for use of any circuitry other than circuitry entirely embodied in a Maxim product. No circuit patent licenses are implied. Maxim reserves the right to change the circuitry and specifications without notice at any time.

8 Maxim Integrated Products, 120 San Gabriel Drive, Sunnyvale, CA 94086 (408) 737-7600

© 1995 Maxim Integrated Products Printed USA MAXIM is a registered trademark of Maxim Integrated Products.

Looking for pricing, stock, or lifecycle information?

Click below to explore more details on WIN SOURCE:

 [View MX7821KR+ on WIN SOURCE](#)

 [Maxim Integrated](#) Information

Optimize Your Supply Chain with WIN SOURCE Solutions

-  Global Sourcing Solution
-  Obsolete Management
-  Cost Control Management
-  Shortage Management
-  Alternative Solution
-  Excess Inventory Management