



**THE DATASHEET OF
MT9P401I12STC**



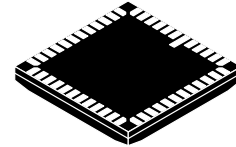
MT9P401

MT9P401 1/2.5-Inch 5 Mp CMOS Digital Image Sensor



ON Semiconductor®

www.onsemi.com



ILCC48 10x10
CASE 847AA

Table 1. KEY PERFORMANCE PARAMETERS

Parameter		Value
Optical Format		1/2.5-inch (4:3)
Active Imager Size		5.70 mm (H) x 4.28 mm (V) 7.13 mm Diagonal
Active Pixels		2592 (H) x 1944 (V)
Pixel Size		2.2 x 2.2 μm
Color Filter Array		RGB Bayer Pattern
Shutter Type		Global Reset Release (GRR), Snapshot Only Electronic Rolling Shutter (ERS)
Maximum Data Rate/ Master Clock		96 Mp/s at 96 MHz (2.8 V I/O) 48 Mp/s at 48 MHz (1.8 V I/O)
Frame Rate	Full Resolution	Programmable up to fps
	HDTV (1280 x 720)	Programmable up to 60 fps
ADC Resolution		12-bit, On-chip
Responsivity		1.4 V/lux-sec (550 nm)
Pixel Dynamic Range		70.1 dB
SNR _{MAX}		38.1 dB
Supply Voltage	I/O	1.7–3.1 V
	Digital	1.7–1.9 V (1.8 V Nominal)
	Analog	2.6–3.1 V (2.8 V Nominal)
Power Consumption		381 mW at 15 fps Full Resolution
Operating Temperature		–30°C to +70°C
Packaging		48-pin iLCC, Die

Features

- High Frame Rate
- Superior Low-light Performance
- Low Dark Current
- Global Reset Release, which Starts the Exposure of all Rows Simultaneously
- Bulb Exposure Mode, for Arbitrary Exposure Times
- Snapshot Mode to Take Frames on Demand
- Horizontal and Vertical Mirror Image
- Column and Row Skip Modes to Reduce Image Size without Reducing Field-of-view (FOV)
- Column and Row Binning Modes to Improve Image Quality when Resizing

ORDERING INFORMATION

See detailed ordering and shipping information on page 2 of this data sheet.

Features (continued)

- Simple Two-wire Serial Interface
- Programmable Controls: Gain, Frame Rate, Frame Size, Exposure
- Automatic Black Level Calibration
- On-chip Phase-locked Loop (PLL)
- 720p HDTV Video at 60 fps

Applications

- Digital Still Cameras
- Digital Video Cameras
- PC Cameras
- Converged DSCs/camcorders
- Cellular Phones
- PDAs

ORDERING INFORMATION

Table 2. AVAILABLE PART NUMBERS

Part Number	Product Description	Orderable Product Attribute Description
MT9P401D00C18B-N3001-200	VGA 1/3" GS CIS	Die Sales, 200 μm Thickness
MT9P401I12STC-DP	5 MP 1/2.5" CIS	Dry Pack with Protective Film
MT9P401I12STC-DR	5 MP 1/2.5" CIS	Dry Pack without Protective Film

GENERAL DESCRIPTION

The ON Semiconductor MT9P401 is a 1/2.5-inch CMOS active-pixel digital image sensor with an active imaging pixel array of 2592 (H) × 1944 (V). It incorporates sophisticated camera functions on-chip such as windowing, column and row skip mode, and snapshot mode. It is programmable through a simple two-wire serial interface.

The 5 Mp CMOS image sensor features ON Semiconductor’s breakthrough low-noise CMOS imaging technology that achieves CCD image quality (based on signal-to-noise ratio and low-light sensitivity) while maintaining the inherent size, cost, and integration advantages of CMOS.

The MT9P401 sensor can be operated in its default mode or programmed by the user for frame size, exposure, gain setting, and other parameters. The default mode outputs a full resolution image at 15 frames per second (fps).

An on-chip analog-to-digital converter (ADC) provides 12 bits per pixel. FRAME_VALID (FV) and LINE_VALID (LV) signals are output on dedicated pins, along with a pixel clock that is synchronous with valid data.

The MT9P401 produces extraordinarily clear, sharp digital pictures, and its ability to capture both continuous HDTV video and single frames makes it the perfect choice for a wide range of consumer and

FUNCTIONAL OVERVIEW

The MT9P401 is a progressive-scan sensor that generates a stream of pixel data at a constant frame rate. It uses an on-chip, phase-locked loop (PLL) to generate all internal clocks from a single master input clock running between 6 and 27 MHz. The maximum pixel rate is 96 Mp/s, corresponding to a clock rate of 96 MHz. Figure 1 illustrates a block diagram of the sensor.

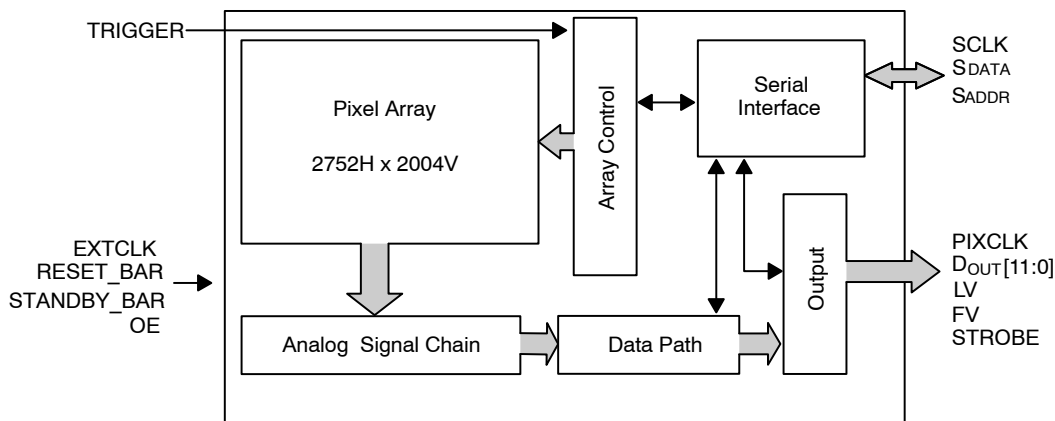


Figure 1. Block Diagram

User interaction with the sensor is through the two-wire serial bus, which communicates with the array control, analog signal chain, and digital signal chain. The core of the sensor is a 5 Mp active-pixel array. The timing and control circuitry sequences through the rows of the array, resetting and then reading each row in turn. In the time interval between resetting a row and reading that row, the pixels in the row integrate incident light. The exposure is controlled by varying the time interval between reset and readout. Once

a row has been read, the data from the columns is sequenced through an analog signal chain (providing offset correction and gain), and then through an ADC. The output from the ADC is a 12-bit value for each pixel in the array. The ADC output passes through a digital processing signal chain (which provides further data path corrections and applies digital gain). The pixel data are output at a rate of up to 96 Mp/s, in addition to frame and line synchronization signals.

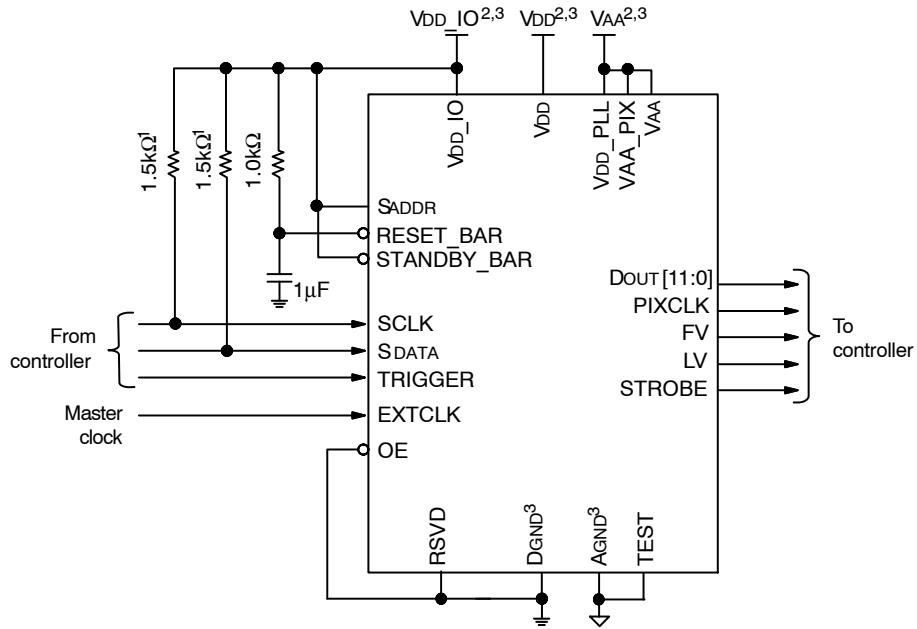


Figure 2. Typical Configuration (Connection)

NOTE:

1. A resistor value of 1.5 kΩ is recommended, but may be greater for slower two-wire speed.
2. All power supplies should be adequately decoupled.
3. All DGND pins must be tied together, as must all AGND pins, all VDD_IO pins, and all VDD pins.

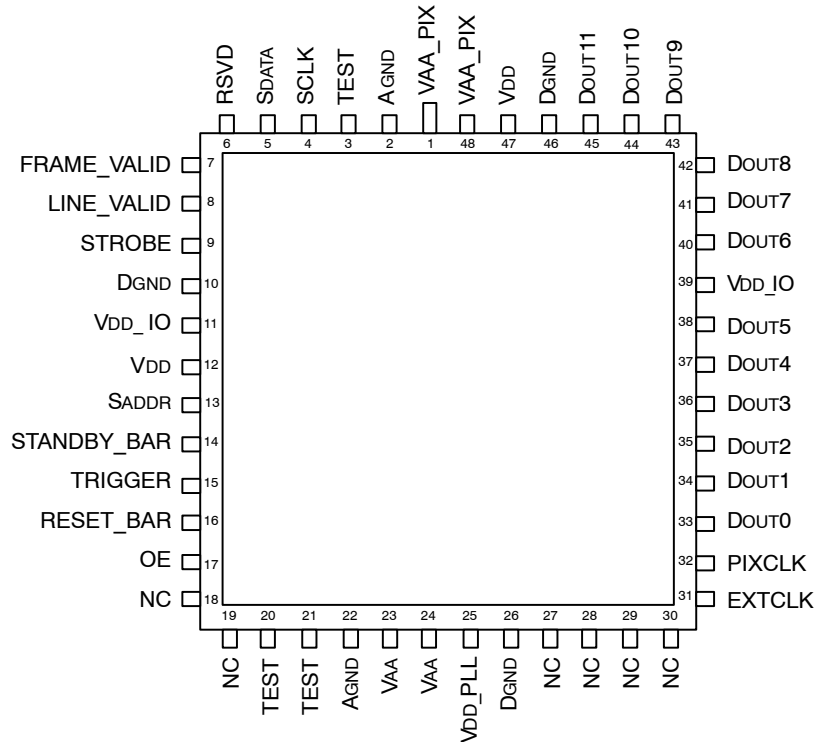


Figure 3. 48-Pin iLCC 10 x 10 Package Pinout Diagram (Top View)

Table 3. PIN DESCRIPTION

Name	Type	Description
RESET_BAR	Input	When LOW, the MT9P401 asynchronously resets. When driven HIGH, it resumes normal operation with all configuration registers set to factory defaults
EXTCLK	Input	External input clock
SCLK	Input	Serial clock. Pull to V _{DD_IO} with a 1.5 kΩ resistor
OE	Input	When HIGH, the PIXCLK, D _{OUT} , FV, LV, and STROBE outputs enter a High-Z. When driven LOW, normal operation resumes
STANDBY_BAR	Input	Standby. When LOW, the chip enters a low-power standby mode. It resumes normal operation when the pin is driven HIGH
TRIGGER	Input	Snapshot trigger. Used to trigger one frame of output in snapshot modes, and to indicate the end of exposure in bulb exposure modes
SADDR	Input	Serial address. When HIGH, the MT9P401 responds to device ID (BA) _H . When LOW, it responds to serial device ID (90) _H
SDATA	I/O	Serial data. Pull to V _{DD_IO} with a 1.5 kΩ resistor
PIXCLK	Output	Pixel clock. The D _{OUT} , FV, LV, and STROBE outputs should be captured on the falling edge of this signal
DOUT[11:0]	Output	Pixel data. Pixel data is 12-bit. MSB (DOUT ₁₁) through LSB (DOUT ₀) of each pixel, to be captured on the falling edge of PIXCLK
FRAME_VALID	Output	Frame valid. Driven HIGH during active pixels and horizontal blanking of each frame and LOW during vertical blanking
LINE_VALID	Output	Line valid. Driven HIGH with active pixels of each line and LOW during blanking periods
STROBE	Output	Snapshot strobe. Driven HIGH when all pixels are exposing in snapshot modes
V _{DD}	Supply	Digital supply voltage. Nominally 1.8 V
V _{DD_IO}	Supply	IO supply voltage. Nominally 1.8 or 2.8 V
D _{GND}	Supply	Digital ground
V _{AA}	Supply	Analog supply voltage. Nominally 2.8 V
V _{AA_PIX}	Supply	Pixel supply voltage. Nominally 2.8 V, connected externally to V _{AA}
A _{GND}	Supply	Analog ground
V _{DD_PLL}	Supply	PLL supply voltage. Nominally 2.8 V, connected externally to V _{AA}
TEST	—	Tie to A _{GND} for normal device operation (factory use only)
RSVD	—	Tie to D _{GND} for normal device operation (factory use only)
NC	—	No connect

PIXEL DATA FORMAT

Pixel Array Structure

The MT9P401 pixel array consists of a 2752-column by 2004-row matrix of pixels addressed by column and row. The address (column 0, row 0) represents the upper-right corner of the entire array, looking at the sensor, as shown in Figure 4.

The array consists of a 2592-column by 1944-row active region in the center representing the default output image, surrounded by a boundary region (also active), surrounded by a border of dark pixels (see Table 4 and Table 5). The boundary region can be used to avoid edge effects when doing color processing to achieve a 2592×1944 result image, while the optically black column and rows can be used to monitor the black level.

Pixels are output in a Bayer pattern format consisting of four “colors”—GreenR, GreenB, Red, and Blue (Gr, Gb, R, B)—representing three filter colors. When no mirror modes are enabled, the first row output alternates between Gr and R pixels, and the second row output alternates between B and Gb pixels. The Gr and Gb pixels have the same color filter, but they are treated as separate colors by the data path and analog signal chain.

Table 4. PIXEL TYPE BY COLUMN

Column	Pixel Type
0–9	Dark (10)
10–15	Active boundary (6)
16–2607	Active image (2592)
2608–2617	Active boundary (10)
2618–2751	Dark (134)

Table 5. PIXEL TYPE BY ROW

Column	Pixel Type
0–49	Dark (50)
50–53	Active boundary (4)
54–1997	Active image (1944)
1998–2001	Active boundary (3)
2002–2003	Dark (2)

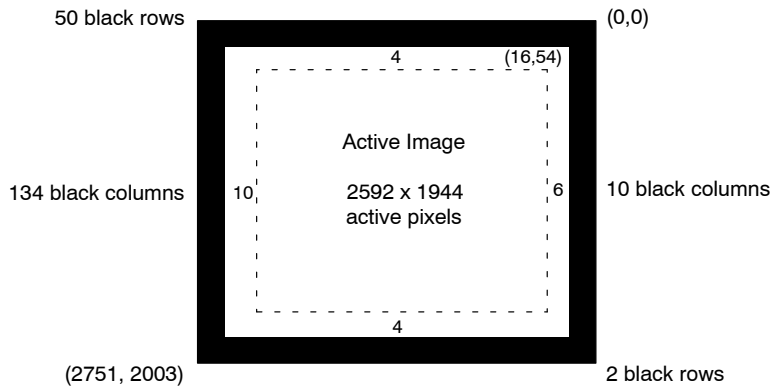


Figure 4. Pixel Array Description

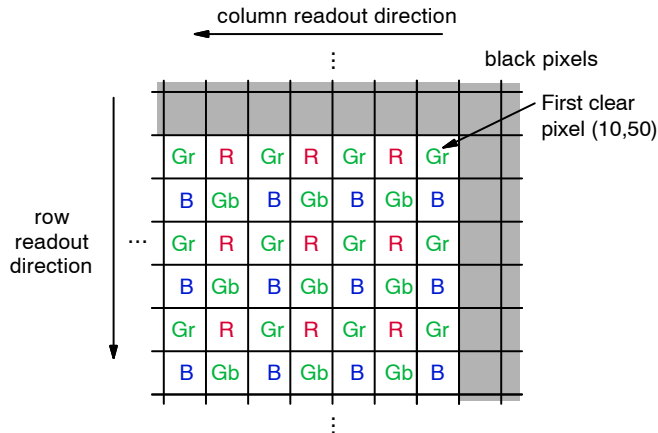


Figure 5. Pixel Color Pattern Detail (Top Right Corner)

Default Readout Order

By convention, the sensor core pixel array is shown with pixel (0,0) in the top right corner (see Figure 4). This reflects the actual layout of the array on the die. Also, the first pixel data read out of the sensor in default condition is that of pixel (16, 54).

When the sensor is imaging, the active surface of the sensor faces the scene as shown in Figure 5. When the image is read out of the sensor, it is read one row at a time, with the rows and columns sequenced as shown in Figure 6.

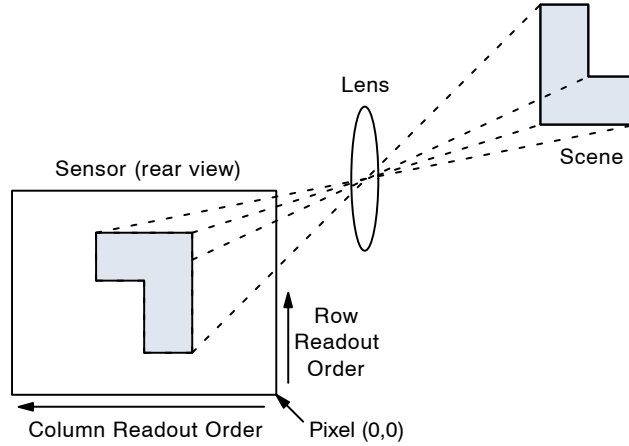


Figure 6. Imaging a Scene

Output Data Format (Default Mode)

The MT9P401 image data is read out in a progressive scan. Valid image data is surrounded by horizontal blanking

and vertical blanking, as shown in Figure 7. LV is HIGH during the shaded region of the figure. FV timing is described in “Output Data Timing”.

$P_{0,0}$ $P_{0,1}$ $P_{0,2}$ $P_{0,n-1}$ $P_{0,n}$ $P_{1,0}$ $P_{1,1}$ $P_{1,2}$ $P_{1,n-1}$ $P_{1,n}$	00 00 00 00 00 00 00 00 00 00 00 00
VALID IMAGE	HORIZONTAL BLANKING
$P_{m-1,0}$ $P_{m-1,1}$ $P_{m-1,n-1}$ $P_{m-1,n}$ $P_{m,0}$ $P_{m,1}$ $P_{m,n-1}$ $P_{m,n}$	00 00 00 00 00 00 00 00 00 00 00 00
VERTICAL BLANKING	VERTICAL/HORIZONTAL BLANKING
00 00 00 00 00 00 00 00 00 00 00 00	00 00 00 00 00 00 00 00 00 00 00 00

Figure 7. Spatial Illustration of Image Readout

Readout Sequence

Typically, the readout window is set to a region including only active pixels. The user has the option of reading out dark regions of the array, but if this is done, consideration must be given to how the sensor reads the dark regions for its own purposes.

1. Dark rows:

If Show_Dark_Rows is set, or if Manual_BLC is clear, dark rows on the top of the array are read out. The set of rows sampled are adjusted based on the Row_Bin setting such that there are 8 rows after binning, as shown in the Table 6.

The Row_Skip setting is ignored for the dark row region.

If Show_Dark_Rows is clear and Manual_BLC is set, no dark rows are read from the array as part of this step, allowing all rows to be part of the active image. This does not change the frame time, as H_{DR} is included in the vertical blank period.

2. Active image:

The rows defined by the row start, row size, bin, skip, and row mirror settings are read out. If this set of rows includes rows read out above, those rows are resampled, meaning that the data is invalid.

Table 6. DARK ROWS SAMPLED AS A FUNCTION OF ROW_BIN

Row_Bin	H _{DR} (Dark Rows After Binning)
0	8
1	8
3	8

Columns are read out in the following order:

1. Dark columns:

If either Show_Dark_Columns or Row_BLC is set, dark columns on the left side of the image are read out followed by those on the right side. The set of columns read is shown in Table 7.

The Column_Skip setting is ignored for the dark columns.

If neither Show_Dark_Columns nor Row_BLC is set, no dark columns are read, allowing all columns to be part of the active image. This does not change the row time, as W_{DC} is included in the vertical blank period.

2. Active image:

The columns defined by column start, column size, bin, skip, and column mirror settings are read out. If this set of columns includes the columns read out above, these columns are resampled, meaning the data is invalid.

Table 7. DARK COLUMNS SAMPLED AS A FUNCTION OF COLUMN_BIN

Column_Bin	W _{DC} (Dark Columns After Binning)
0	80
1	40
3	20

OUTPUT DATA TIMING

The output images are divided into frames, which are further divided into lines. By default, the sensor produces 1944 rows of 2592 columns each. The FV and LV signals indicate the boundaries between frames and lines, respectively. PIXCLK can be used as a clock to latch the data. For each PIXCLK cycle, one 12-bit pixel datum

outputs on the DOUT pins. When both FV and LV are asserted, the pixel is valid. PIXCLK cycles that occur when FV is negated are called vertical blanking. PIXCLK cycles that occur when only LV is negated are called horizontal blanking.

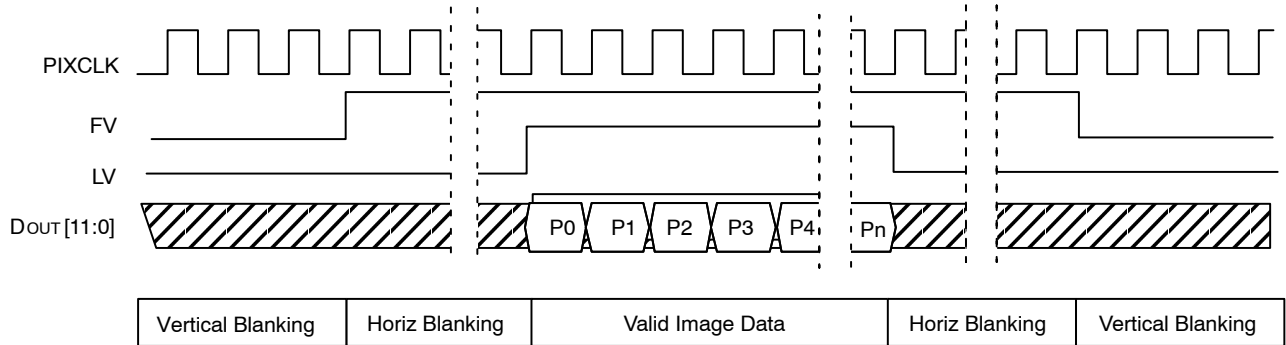


Figure 8. Default Pixel Output Timing

LV and FV

The timing of the FV and LV outputs is closely related to the row time and the frame time.

FV will be asserted for an integral number of row times, which will normally be equal to the height of the output image. If Show_Dark_Rows is set, the dark sample rows will be output before the active image, and FV will be extended to include them. In this case, FV’s leading edge happens at time 0.

LV will be asserted during the valid pixels of each row. The leading edge of LV will be offset from the leading edge of FV by 609 PIXCLKs. If Show_Dark_Columns is set, the dark columns will be output before the image pixels, and LV

will be extended back to include them; in this case, the first pixel of the active image still occurs at the same position relative to the leading edge of FV. Normally, LV will only be asserted if FV is asserted; this is configurable as described below.

LV Format Options

The default situation is for LV to be negated when FV is negated. The other option available is shown in Figure 9. If Continuous_LV is set, LV is asserted even when FV is not, with the same period and duty cycle. If XOR_Line_Valid is set, but not Continuous_Line_Valid, the resulting LV will be the XOR of FV and the continuous LV.

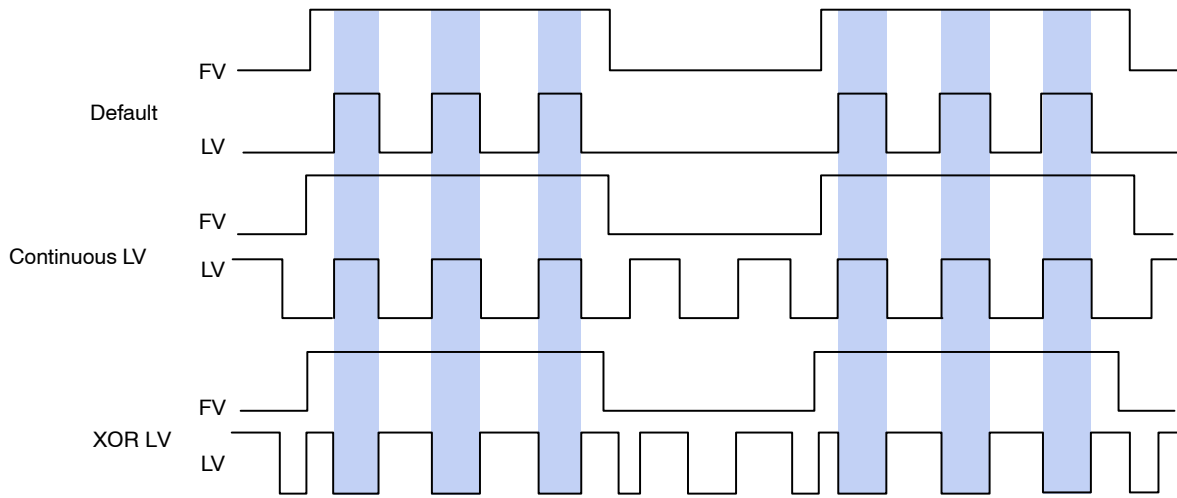


Figure 9. LV Format Options

The timing of an entire frame is shown in Figure 10.

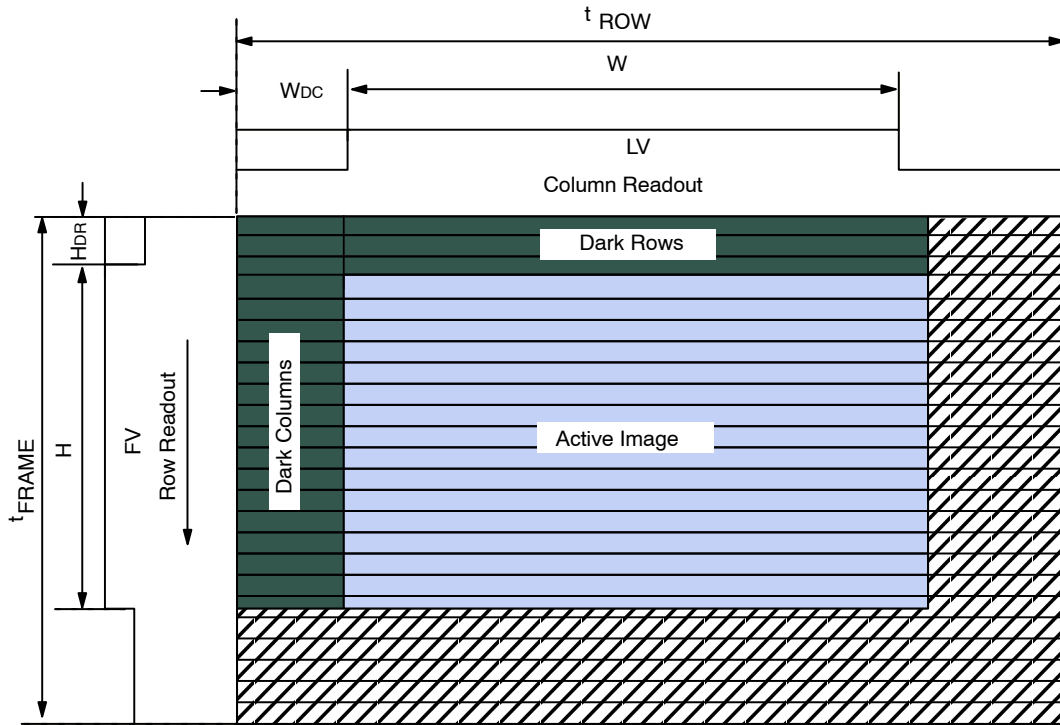


Figure 10. Frame Timing

Frame Time

The pixel clock (PIXCLK) represents the time needed to sample 1 pixel from the array, and is typically equal to 1 EXTCLK period. The sensor outputs data at the maximum

rate of 1 pixel per PIXCLK. One row time (t_{ROW}) is the period from the first pixel output in a row to the first pixel output in the next row. The row time and frame time are defined by equations in Table 8.

Table 8. FRAME TIME

Parameters	Name	Equation	Default Timing at EXTCLK = 96 MHz
fps	Frame Rate	$1/t_{FRAME}$	14
t_{FRAME}	Frame Time	$(H + \max(VB, VB_{MIN})) \times t_{ROW}$	71.66 ms
t_{ROW}	Row Time	$2 \times t_{PIXCLK} \times \max(((W/2) + \max(HB, HB_{MIN})), (41 + 346 \times (Row_Bin+1) + 99))$	36.38 μ s
$t_{ROW_Default}$	Row Time	$2 \times t_{PIXCLK} \times \max(((W/2) + \max(HB, HB_{MIN})), (41 + 346 \times (Row_Bin+1) + 99))$	36.38 μ s
t_{ROW_HDTV}	Row Time	$2 \times t_{PIXCLK} \times \max(((W/2) + \max(HB, HB_{MIN})), (41 + 186 \times (Row_Bin+1) + 99))$	24.4 μ s
W	Output Image Width	$2 \times \text{ceil}(((\text{Column_Size} + 1) / (2 \times (\text{Column_Skip} + 1))))$	2592 PIXCLK
H	Output Image Height	$2 \times \text{ceil}(((\text{Row_Size} + 1) / (2 \times (\text{Row_Skip} + 1))))$	1944 rows
SW	Shutter Width	$\max(1, (2 \times 16 \times \text{Shutter_Width_Upper}) + \text{Shutter_Width_Lower})$	1943 rows
HB	Horizontal Blanking	$\text{Horizontal_Blank} + 1$	1 PIXCLK
VB	Vertical Blanking	$\text{Vertical_Blank} + 1$	26 rows
HB _{MIN}	Minimum Horizontal Blanking	$346 \times (\text{Row_Bin} + 1) + 64 + (W_{dc} / 2)$	450 PIXCLK
VB _{MIN}	Minimum Vertical Blanking	$\max(8, SW - H) + 1$	9 rows
t_{PIXCLK}	Pixclk Period	$1/t_{PIXCLK}$	10.42 ns

The minimum horizontal blanking (HB_{MIN}) values for various Row_Bin and Column_Bin settings are shown in Table 9.

Table 9. HB_{MIN} VALUES FOR ROW_BIN VS. COLUMN_BIN SETTINGS

Row_bin	Column_bin (W _{DC})		
	0	1	3
0	450	430	420
1	796	776	766
3	1488	1468	1458

Frame Rates at Common Resolutions

Table 10 and Table 11 show examples of register settings to achieve common resolutions and their frame rates. Frame

rates are shown both with subsampling enabled and disabled.

Table 10. STANDARD RESOLUTIONS

Resolution	Frame Rate	Sub-sampling Mode	Column Size (R0x04)	Row Size (R0x03)	Shutter Width Lower (R0x09)	Row Bin (R0x22 [5:4])	Row Skip (R0x22 [2:0])	Column Bin (R0x23 [5:4])	Column Skip (R0x23 [2:0])
2592 x 1944 (Full Resolution)	14	N/A	2591	1943	<1943	0	0	0	0
2048 x 1536 QXGA	21	N/A	2047	1535	<1535	0	0	0	0
1600 x 1200 UXGA	31	N/A	1599	1199	<1199	0	0	0	0
1280 x 1024 SXGA	42	N/A	1279	1023	<1023	0	0	0	0
1024 x 768 XGA	63	N/A	1023	767	<767	0	0	0	0
	63	Skipping	2047	1535		0	1	0	1
	47	Binning	2047	1535		1	1	1	1
800 x 600 SVGA	90	N/A	799	599	<599	0	0	0	0
	90	Skipping	1599	1199		0	1	0	1
	65	Binning	1599	1199		1	1	1	1
640 x 480 VGA	123	N/A	639	479	<479	0	0	0	0
	123	Skipping	2559	1919		0	3	0	3
	53	Binning	2559	1919		3	3	3	3

Table 11. WIDE SCREEN (16:9) RESOLUTIONS

Resolution	Frame Rate	Sub-sampling Mode	Column Size (R0x04)	Row Size (R0x03)	Shutter Width Lower (R0x09)	Row Bin (R0x22 [5:4])	Row Skip (R0x22 [2:0])	Column Bin (R0x23 [5:4])	Column Skip (R0x23 [2:0])
1920 x 1080 HDTV	31	N/A	1919	1079	<1079	0	0	0	0
1280 x 720 HDTV	60	Binning	2559	1439	<719	1	1	1	1

1. It is assumed that the minimum horizontal blanking and the minimum vertical blanking conditions are met, and that all other registers are set to default values. Please refer to TN09111 for instructions on how to configure 720p HDTV.

SERIAL BUS DESCRIPTION

Registers are written to and read from the MT9P401 through the two-wire serial interface bus. The MT9P401 is a serial interface slave and is controlled by the serial clock (SCLK), which is driven by the serial interface master. Data is transferred into and out of the MT9P401 through the serial data (SDATA) line. The SDATA line is pulled up to VDD_IO off-chip by a 1.5 k Ω resistor. Either the slave or master device can pull the SDATA line LOW—the serial interface protocol determines which device is allowed to pull the SDATA line down at any given time.

Protocol

The two-wire serial defines several different transmission codes, as follows:

1. a start bit
2. the slave device 8-bit address
3. an (a no) acknowledge bit
4. an 8-bit message
5. a stop bit

Sequence

A typical READ or WRITE sequence begins by the master sending a start bit. After the start bit, the master sends the slave device's 8-bit address. The last bit of the address determines if the request is a READ or a WRITE, where a "0" indicates a WRITE and a "1" indicates a READ. The slave device acknowledges its address by sending an acknowledge bit back to the master.

If the request is a WRITE, the master then transfers the 8-bit register address to which a WRITE should take place. The slave sends an acknowledge bit to indicate that the register address has been received. The master then transfers the data 8 bits at a time, with the slave sending an acknowledge bit after each 8 bits. The MT9P401 uses 16-bit data for its internal registers, thus requiring two 8-bit transfers to write to one register. After 16 bits are transferred, the register address is automatically incremented, so that the next 16 bits are written to the next register address. The master stops writing by sending a start or stop bit.

A typical READ sequence is executed as follows. First the master sends the write-mode slave address and 8-bit register address, just as in the WRITE request. The master then sends a start bit and the read-mode slave address. The master then clocks out the register data 8 bits at a time. The master sends an acknowledge bit after each 8-bit transfer. The register address is automatically-incremented after every 16 bits is transferred. The data transfer is stopped when the master sends a no-acknowledge bit.

Bus Idle State

The bus is idle when both the data and clock lines are HIGH. Control of the bus is initiated with a start bit, and the bus is released with a stop bit. Only the master can generate the start and stop bits.

Start Bit

The start bit is defined as a HIGH-to-LOW transition of the data line while the clock line is HIGH.

Stop Bit

The stop bit is defined as a LOW-to-HIGH transition of the data line while the clock line is HIGH.

Slave Address

The 8-bit address of a two-wire serial interface device consists of 7 bits of address and 1 bit of direction. A "0" in the LSB (least significant bit) of the address indicates write mode (0xBA), and a "1" indicates read mode (0xBB).

Data Bit Transfer

One data bit is transferred during each clock pulse. The serial interface clock pulse is provided by the master. The data must be stable during the HIGH period of the two-wire serial interface clock—it can only change when the serial clock is LOW. Data is transferred 8 bits at a time, followed by an acknowledge bit.

Acknowledge Bit

The master generates the acknowledge clock pulse. The transmitter (which is the master when writing, or the slave when reading) releases the data line, and the receiver indicates an acknowledge bit by pulling the data line LOW during the acknowledge clock pulse.

No-Acknowledge Bit

The no-acknowledge bit is generated when the data line is not pulled down by the receiver during the acknowledge clock pulse. A no-acknowledge bit is used to terminate a read sequence.

TWO-WIRE SERIAL INTERFACE SAMPLE WRITE AND READ SEQUENCES

16-Bit WRITE Sequence

A typical WRITE sequence for writing 16 bits to a register is shown in Figure 11. A start bit given by the master, followed by the write address, starts the sequence. The image sensor then gives an acknowledge bit and expects the register address to come first, followed by the 16-bit data. After each 8-bit transfer, the image sensor gives an

acknowledge bit. All 16 bits must be written before the register is updated. After 16 bits are transferred, the register address is automatically incremented so that the next 16 bits are written to the next register. The master stops writing by sending a start or stop bit.

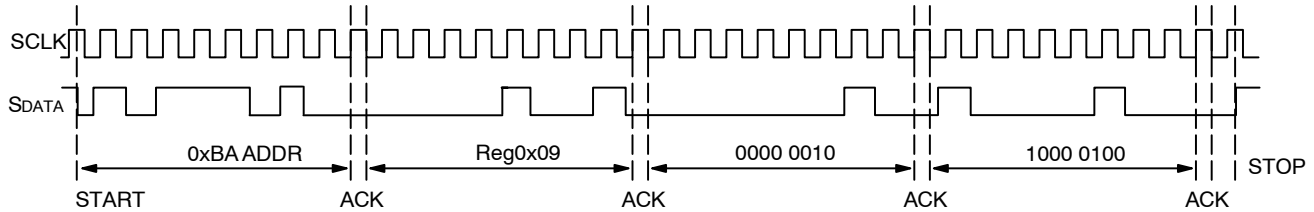


Figure 11. Timing Diagram Showing a WRITE to Reg0x09 with the Value 0x0284

16-Bit READ Sequence

A typical READ sequence is shown in Figure 12. First the master has to write the register address, as in a WRITE sequence. Then a start bit and the read address specify that a READ is about to happen from the register. The master

then clocks out the register data 8 bits at a time. The master sends an acknowledge bit after each 8-bit transfer. The register address should be incremented after every 16 bits is transferred. The data transfer is stopped when the master sends a no-acknowledge bit.

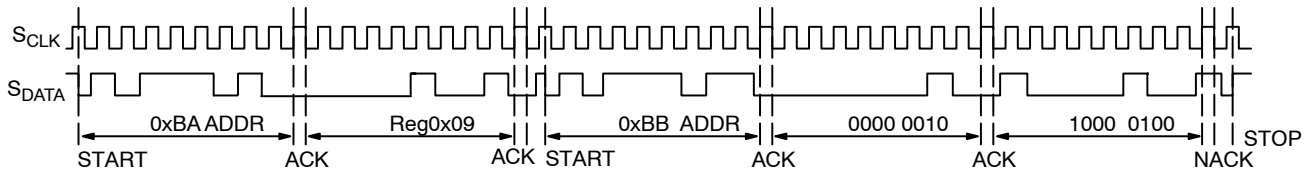


Figure 12. Timing Diagram Showing a READ to Reg0x09 with the Value 0x0284

REGISTERS

Register List

Table 12 lists sensor registers and their default values.

Table 12. REGISTER LIST AND DEFAULT VALUES

(1 = read-only, always 1; 0 = read-only, always 0; d = programmable; ? = read-only, dynamic)

Register # Dec (Hex)	Register Description	Data Format (Binary)	Default Value Dec (Hex)
R0:0(R0x000)	Chip Version	???? ???? ???? ???? ?	6145 (0x1801)
R1:0(R0x001)	Row Start	0000 0ddd dddd dddd	54 (0x0036)
R2:0(R0x002)	Column Start	0000 dddd dddd dddd	16 (0x0010)
R3:0(R0x003)	Row Size	0000 0ddd dddd dddd	1943 (0x0797)
R4:0(R0x004)	Column Size	0000 dddd dddd dddd	2591 (0x0A1F)
R5:0(R0x005)	Horizontal Blank	0000 dddd dddd dddd	0 (0x0000)
R6:0(R0x006)	Vertical Blank	0000 0ddd dddd dddd	25 (0x0019)
R7:0(R0x007)	Output Control	0d0d dddd dddd dddd	8066 (0x1F82)
R8:0(R0x008)	Shutter Width Upper	0000 0000 0000 dddd	0 (0x0000)
R9:0(R0x009)	Shutter Width Lower	dddd dddd dddd dddd	1943 (0x0797)
R10:0(R0x00A)	Pixel Clock Control	d000 0ddd 0ddd dddd	0 (0x0000)
R11:0(R0x00B)	Restart	0000 0000 0000 0ddd	0 (0x0000)
R12:0(R0x00C)	Shutter Delay	000d dddd dddd dddd	0 (0x0000)
R13:0(R0x00D)	Reset	0000 0000 0000 000d	0 (0x0000)
R15:0(R0x00F)	Reserved	–	0 (0x0000)
R16:0(R0x010)	PLL Control	ddd0 000d dddd 00dd	80 (0x0050)
R17:0(R0x011)	PLL Config 1	dddd dddd 00dd dddd	25604 (0x6404)
R18:0(R0x012)	PLL Config 2	000d dddd 000d dddd	0 (0x0000)
R20:0(R0x014)	Reserved	–	54 (0x0036)
R21:0(R0x015)	Reserved	–	16 (0x0010)
R30:0(R0x01E)	Read Mode 1	0ddd dddd dddd dddd	16390 (0x4006)
R32:0(R0x020)	Read Mode 2	dddd d000 0ddd 00d0	64 (0x0040)
R34:0(R0x022)	Row Address Mode	0ddd 0ddd 00dd 0ddd	0 (0x0000)
R35:0(R0x023)	Column Address Mode	0000 0ddd 00dd 0ddd	0 (0x0000)
R36:0(R0x024)	Reserved	–	2 (0x0002)
R39:0(R0x027)	Reserved	–	11 (0x000B)
R41:0(R0x029)	Reserved	–	1153 (0x0481)
R42:0(R0x02A)	Reserved	–	4230 (0x1086)
R43:0(R0x02B)	Green1 Gain	0ddd dddd dddd dddd	8 (0x0008)
R44:0(R0x02C)	Blue Gain	0ddd dddd dddd dddd	8 (0x0008)
R45:0(R0x02D)	Red Gain	0ddd dddd dddd dddd	8 (0x0008)
R46:0(R0x02E)	Green2 Gain	0ddd dddd dddd dddd	8 (0x0008)
R48:0(R0x030)	Reserved	–	0 (0x0000)
R50:0(R0x032)	Reserved	–	0 (0x0000)
R53:0(R0x035)	Global Gain	dddd dddd dddd dddd	8 (0x0008)
R60:0(R0x03C)	Reserved	–	4112 (0x1010)
R61:0(R0x03D)	Reserved	–	5 (0x0005)

Table 12. REGISTER LIST AND DEFAULT VALUES (continued)

(1 = read-only, always 1; 0 = read-only, always 0; d = programmable; ? = read-only, dynamic)

Register # Dec (Hex)	Register Description	Data Format (Binary)	Default Value Dec (Hex)
R62:0(R0x03E)	Reserved	–	64 (0x80C7)
R63:0(R0x03F)	Reserved	–	4 (0x0004)
R64:0(R0x040)	Reserved	–	7 (0x0007)
R65:0(R0x041)	Reserved	–	3 (0x0000)
R66:0(R0x042)	Reserved	–	5 (0x0003)
R67:0(R0x043)	Reserved	–	1 (0x0003)
R68:0(R0x044)	Reserved	–	515 (0x0203)
R69:0(R0x045)	Reserved	–	4112 (0x1010)
R70:0(R0x046)	Reserved	–	4112 (0x1010)
R71:0(R0x047)	Reserved	–	4112 (0x1010)
R72:0(R0x048)	Reserved	–	16 (0x0010)
R73:0(R0x049)	Reserved	–	168 (0x00A8)
R74:0(R0x04A)	Reserved	–	16 (0x0010)
R75:0(R0x04B)	Reserved	–	40 (0x0028)
R76:0(R0x04C)	Reserved	–	16 (0x0010)
R77:0(R0x04D)	Reserved	–	8224 (0x2020)
R78:0(R0x04E)	Reserved	–	4112 (0x1010)
R79:0(R0x04F)	Reserved	–	23 (0x0014)
R80:0(R0x050)	Reserved	–	32768 (0x8000)
R81:0(R0x051)	Reserved	–	7 (0x0007)
R82:0(R0x052)	Reserved	–	32768 (0x8000)
R83:0(R0x053)	Reserved	–	7 (0x0007)
R84:0(R0x054)	Reserved	–	8 (0x0008)
R86:0(R0x056)	Reserved	–	32 (0x0020)
R87:0(R0x057)	Reserved	–	4 (0x0004)
R88:0(R0x058)	Reserved	–	32768 (0x8000)
R89:0(R0x059)	Reserved	–	7 (0x0007)
R90:0(R0x05A)	Reserved	–	4 (0x0004)
R91:0(R0x05B)	Reserved	–	1 (0x0001)
R92:0(R0x05C)	Reserved	–	90 (0x005A)
R93:0(R0x05D)	Reserved	–	11539 (0x2D13)
R94:0(R0x05E)	Reserved	–	16895 (0x41FF)
R95:0(R0x05F)	Reserved	–	8989 (0x231D)
R96:0(R0x060)	Reserved	–	32 (0x0020)
R97:0(R0x061)	Reserved	–	32 (0x0020)
R98:0(R0x062)	Reserved	–	0 (0x0000)
R99:0(R0x063)	Reserved	–	32 (0x0020)
R100:0(R0x064)	Reserved	–	32 (0x0020)
R101:0(R0x065)	Reserved	–	0 (0x0000)
R104:0(R0x068)	Reserved	–	0 (0x0000)
R105:0(R0x069)	Reserved	–	0 (0x0000)

Table 12. REGISTER LIST AND DEFAULT VALUES (continued)

(1 = read-only, always 1; 0 = read-only, always 0; d = programmable; ? = read-only, dynamic)

Register # Dec (Hex)	Register Description	Data Format (Binary)	Default Value Dec (Hex)
R106:0(R0x06A)	Reserved	–	0 (0x0000)
R107:0(R0x06B)	Reserved	–	0 (0x0000)
R108:0(R0x06C)	Reserved	–	0 (0x0000)
R109:0(R0x06D)	Reserved	–	0 (0x0000)
R112:0(R0x070)	Reserved	–	103 (0x00AC)
R113:0(R0x071)	Reserved	–	25604 (0xA700)
R114:0(R0x072)	Reserved	–	25094 (0xA700)
R115:0(R0x073)	Reserved	–	5128 (0x0C00)
R116:0(R0x074)	Reserved	–	5642 (0x0600)
R117:0(R0x075)	Reserved	–	13068 (0x5 617)
R118:0(R0x076)	Reserved	–	18229 (0x6B57)
R119:0(R0x077)	Reserved	–	18743 (0x6B57)
R120:0(R0x078)	Reserved	–	24633 (0xA500)
R121:0(R0x079)	Reserved	–	26114 (0xAB00)
R122:0(R0x07A)	Reserved	–	25604 (0xA904)
R123:0(R0x07B)	Reserved	–	25094 (0xA700)
R124:0(R0x07C)	Reserved	–	25094 (0xA700)
R125:0(R0x07D)	Reserved	–	65280 (0xFF00)
R126:0(R0x07E)	Reserved	–	25608 (0xA900)
R127:0(R0x07F)	Reserved	–	25604 (0x6404)
R128:0(R0x080)	Reserved	–	34 (0x0022)
R129:0(R0x081)	Reserved	–	7940 (0x1F04)
R130:0(R0x082)	Reserved	–	0 (0x0000)
R131:0(R0x083)	Reserved	–	6918 (0x1B06)
R132:0(R0x084)	Reserved	–	7432 (0x1D08)
R134:0(R0x086)	Reserved	–	6150 (0x1806)
R135:0(R0x087)	Reserved	–	6664 (0x1A08)
R144:0(R0x090)	Reserved	–	2000 (0x07D0)
R145:0(R0x091)	Reserved	–	0 (0x0000)
R146:0(R0x092)	Reserved	–	1 (0x0001)
R147:0(R0x093)	Reserved	–	0 (0x0000)
R149:0(R0x095)	Reserved	–	0 (0x0000)
R150:0(R0x096)	Reserved	–	0 (0x0000)
R151:0(R0x097)	Reserved	–	0 (0x0000)
R152:0(R0x098)	Reserved	–	0 (0x0000)
R153:0(R0x099)	Reserved	–	0 (0x0000)
R154:0(R0x09A)	Reserved	–	0 (0x0000)
R155:0(R0x09B)	Reserved	–	0 (0x0000)
R156:0(R0x09C)	Reserved	–	0 (0x0000)
R160:0(R0x0A0)	Test_Pattern_Control	–	0 (0x0000)
R161:0(R0x0A1)	Test_Pattern_Green	–	0 (0x0000)

Table 12. REGISTER LIST AND DEFAULT VALUES (continued)

(1 = read-only, always 1; 0 = read-only, always 0; d = programmable; ? = read-only, dynamic)

Register # Dec (Hex)	Register Description	Data Format (Binary)	Default Value Dec (Hex)
R162:0(R0x0A2)	Test_Pattern_Red	–	0 (0x0000)
R163:0(R0x0A3)	Test_Pattern_Blue	–	0 (0x0000)
R164:0(R0x0A4)	Test_Pattern_Bar_Width	–	0 (0x0000)
R165:0(R0x0A5)	Reserved	–	0 (0x0000)
R166:0(R0x0A6)	Reserved	–	0 (0x0000)
R167:0(R0x0A7)	Reserved	–	0 (0x0000)
R168:0(R0x0A8)	Reserved	–	0 (0x0000)
R169:0(R0x0A9)	Reserved	–	0 (0x0000)
R170:0(R0x0AA)	Reserved	–	0 (0x0000)
R171:0(R0x0AB)	Reserved	–	0 (0x0000)
R172:0(R0x0AC)	Reserved	–	0 (0x0000)
R173:0(R0x0AD)	Reserved	–	0 (0x0000)
R174:0(R0x0AE)	Reserved	–	32 (0x0020)
R175:0(R0x0AF)	Reserved	–	0 (0x0000)
R176:0(R0x0B0)	Reserved	–	0 (0x0000)
R177:0(R0x0B1)	Reserved	–	0 (0x0000)
R178:0(R0x0B2)	Reserved	–	0 (0x0000)
R179:0(R0x0B3)	Reserved	–	0 (0x0000)
R180:0(R0x0B4)	Reserved	–	0 (0x0000)
R181:0(R0x0B5)	Reserved	–	0 (0x0000)
R182:0(R0x0B6)	Reserved	–	0 (0x0000)
R183:0(R0x0B7)	Reserved	–	0 (0x0000)
R184:0(R0x0B8)	Reserved	–	0 (0x0000)
R185:0(R0x0B9)	Reserved	–	0 (0x0000)
R186:0(R0x0BA)	Reserved	–	0 (0x0000)
R187:0(R0x0BB)	Reserved	–	0 (0x0000)
R188:0(R0x0BC)	Reserved	–	0 (0x0000)
R189:0(R0x0BD)	Reserved	–	0 (0x0000)
R190:0(R0x0BE)	Reserved	–	0 (0x0000)
R191:0(R0x0BF)	Reserved	–	0 (0x0000)
R192:0(R0x0C0)	Reserved	–	0 (0x0000)
R193:0(R0x0C1)	Reserved	–	0 (0x0000)
R194:0(R0x0C2)	Reserved	–	0 (0x0000)
R195:0(R0x0C3)	Reserved	–	0 (0x0000)
R196:0(R0x0C4)	Reserved	–	0 (0x0000)
R197:0(R0x0C5)	Reserved	–	0 (0x0000)
R198:0(R0x0C6)	Reserved	–	0 (0x0000)
R199:0(R0x0C7)	Reserved	–	0 (0x0000)
R200:0(R0x0C8)	Reserved	–	0 (0x0000)
R201:0(R0x0C9)	Reserved	–	0 (0x0000)
R202:0(R0x0CA)	Reserved	–	0 (0x0000)

Table 12. REGISTER LIST AND DEFAULT VALUES (continued)

(1 = read-only, always 1; 0 = read-only, always 0; d = programmable; ? = read-only, dynamic)

Register # Dec (Hex)	Register Description	Data Format (Binary)	Default Value Dec (Hex)
R203:0(R0x0CB)	Reserved	–	0 (0x0000)
R204:0(R0x0CC)	Reserved	–	0 (0x0000)
R205:0(R0x0CD)	Reserved	–	0 (0x0000)
R206:0(R0x0CE)	Reserved	–	0 (0x0000)
R207:0(R0x0CF)	Reserved	–	0 (0x0000)
R208:0(R0x0D0)	Reserved	–	0 (0x0000)
R209:0(R0x0D1)	Reserved	–	0 (0x0000)
R210:0(R0x0D2)	Reserved	–	0 (0x0000)
R211:0(R0x0D3)	Reserved	–	0 (0x0000)
R212:0(R0x0D4)	Reserved	–	0 (0x0000)
R213:0(R0x0D5)	Reserved	–	0 (0x0000)
R214:0(R0x0D6)	Reserved	–	0 (0x0000)
R215:0(R0x0D7)	Reserved	–	0 (0x0000)
R216:0(R0x0D8)	Reserved	–	0 (0x0000)
R217:0(R0x0D9)	Reserved	–	0 (0x0000)
R218:0(R0x0DA)	Reserved	–	0 (0x0000)
R219:0(R0x0DB)	Reserved	–	0 (0x0000)
R220:0(R0x0DC)	Reserved	–	0 (0x0000)
R221:0(R0x0DD)	Reserved	–	0 (0x0000)
R222:0(R0x0DE)	Reserved	–	0 (0x0000)
R223:0(R0x0DF)	Reserved	–	0 (0x0000)
R224:0(R0x0E0)	Reserved	–	0 (0x0000)
R225:0(R0x0E1)	Reserved	–	0 (0x0000)
R226:0(R0x0E2)	Reserved	–	0 (0x0000)
R227:0(R0x0E3)	Reserved	–	0 (0x0000)
R228:0(R0x0E4)	Reserved	–	0 (0x0000)
R229:0(R0x0E5)	Reserved	–	0 (0x0000)
R230:0(R0x0E6)	Reserved	–	0 (0x0000)
R231:0(R0x0E7)	Reserved	–	0 (0x0000)
R232:0(R0x0E8)	Reserved	–	0 (0x0000)
R233:0(R0x0E9)	Reserved	–	0 (0x0000)
R234:0(R0x0EA)	Reserved	–	0 (0x0000)
R235:0(R0x0EB)	Reserved	–	0 (0x0000)
R236:0(R0x0EC)	Reserved	–	0 (0x0000)
R237:0(R0x0ED)	Reserved	–	0 (0x0000)
R238:0(R0x0EE)	Reserved	–	0 (0x0000)
R239:0(R0x0EF)	Reserved	–	0 (0x0000)
R240:0(R0x0F0)	Reserved	–	0 (0x0000)
R241:0(R0x0F1)	Reserved	–	0 (0x0000)
R248:0(R0x0F8)	Reserved	–	0 (0x0000)
R250:0(R0x0FA)	Reserved	–	0 (0x0000)

Table 12. REGISTER LIST AND DEFAULT VALUES (continued)

(1 = read-only, always 1; 0 = read-only, always 0; d = programmable; ? = read-only, dynamic)

Register # Dec (Hex)	Register Description	Data Format (Binary)	Default Value Dec (Hex)
R251:0(R0x0FB)	Reserved	–	0 (0x0000)
R252:0(R0x0FC)	Reserved	–	0 (0x0000)
R253:0(R0x0FD)	Reserved	–	0 (0x0000)
R255:0(R0x0FF)	Chip_Version_Alt	???? ???? ???? ???? ?	6145 (0x1801)

Register Description

Table 13 lists sensor register descriptions.

Table 13. REGISTER DESCRIPTION

Reg. #	Bits	Default	Name
R0:0 R0x000	15:0	0x1801	Chip Version (RO)
	15:8	RO	Part ID Two-digit BCD value typically derived from the reticle ID code Legal values: [0, 255]
	7:4	RO	Analog Revision Constant value incremented with each mask change for the same Part ID Legal values: [0, 15]
	3:0	RO	Digital Revision Constant value incremented with each digital functionality change for the same Part ID Legal values: [0, 15]
Chip version			
R1:0 R0x001	15:0	0x0036	Row Start (RW)
	The Y coordinate of the upper-left corner of the FOV. If this register is set to an odd value, the next lower even value will be used. Writes are synchronized to frame boundaries. Affected by Synchronize_Changes. Causes a Bad Frame if written. Legal values: [0, 2004], even		
R2:0 R0x002	15:0	0x0010	Column Start (RW)
	The X coordinate of the upper-left corner of the FOV. The value will be rounded down to the nearest multiple of 2 times the column bin factor. Writes are synchronized to frame boundaries. Affected by Synchronize_Changes. Legal values: [0, 2750], even Note: Set Column_Start such that it is in the form shown below, where n is an integer: $\begin{matrix} \text{Mirror_Column} = 0 & \text{Mirror_Column} = 1 \\ \text{no bin} & 4n & 4n + 2 \\ \text{Bin 2x} & 8n & 8n + 4 \\ \text{Bin 4x} & 16n & 16n + 8 \end{matrix}$		
R3:0 R0x003	15:0	0x0797	Row Size (RW)
	The height of the FOV minus one. If this register is set to an even value, the next higher odd value will be used. Writes are synchronized to frame boundaries. Affected by Synchronize_Changes Causes a Bad Frame if written. Legal values: [1, 2005], odd		
R4:0 R0x004	15:0	0x0A1F	Column Size (RW)
	The width of the field of view minus one. If this register is set to an even value, the next higher odd value will be used. In other words, it should be $(2 \times n \times (\text{Column_Bin} + 1) - 1)$ for some integer n. Writes are synchronized to frame boundaries. Affected by Synchronize_Changes. Causes a Bad Frame if written Legal values: [1, 2751], odd		
R5:0 R0x005	15:0	0x0000	Horizontal Blank (RW)
	Extra time added to the end of each row, in pixel clocks. Incrementing this register will increase exposure and decrease frame rate. Setting a value less than the minimum will use the minimum horizontal blank. The minimum horizontal blank depends on the mode of the sensor. Writes are synchronized to frame boundaries. Affected by Synchronize_Changes. Causes a Bad Frame if written. Legal values: [0, 4095]		

Table 13. REGISTER DESCRIPTION (continued)

Reg. #	Bits	Default	Name
R6:0 R0x006	15:0	0x0019	Vertical Blank (RW)
	Extra time added to the end of each frame in rows minus one. Incrementing this register will decrease frame rate, but not affect exposure. Setting a value less than the minimum will use the minimum vertical blank. Writes are synchronized to frame boundaries. Affected by Synchronize_Changes. Legal values: [8, 2047]		
R7:0 R0x007	15:0	0x1F82	Output Control (RW)
	15	X	Reserved
	14	0x0000	Reserved
	13	X	Reserved
	12:10	0x0007	Output_Slew_Rate Controls the slew rate on digital output pads except for PIXCLK. Higher values imply faster transition times. Legal values: [0, 7]
	9:7	0x0007	PIXCLK_Slew_Rate Controls the slew rate on the PIXCLK pad. Higher values imply faster transition times Legal values: [0, 7]
	6	0x0000	Reserved
	5:4	X	Reserved
	3	0x0000	Reserved
	2	0x0000	FIFO_Parallel_Data When set, pixels will be sent through the output FIFO before being sent off chip. This allows the output port to be running at a slower speed than f_PIXCLK, because the FIFO allows for pixels to be output during horizontal blank. Use of this mode requires the PLL to be set up properly
	1	0x0001	Chip Enable When clear, sensor readout is stopped and analog circuitry is put in a state which draws minimal power. When set, the chip operates according to the current mode. Writing this bit does not affect the values of any other registers
	0	0x0000	Synchronize_Changes When set, changes to certain registers (those with the SC attribute) are delayed until the bit is clear. When cleared, all the delayed writes will happen immediately. Registers with the F attribute will still have the update synchronized to the next frame boundary
R8:0 R0x008	15:0	0x0000	Shutter Width Upper (RW)
	The most significant bits of the shutter width, which are combined with Shutter Width Lower (R9)		
R9:0 R0x009	15:0	0x0797	Shutter Width Lower (RW)
	The least significant bits of the shutter width. This is combined with Shutter_Width_Upper and Shutter_Delay for the effective shutter width. If set to zero, a value of "1" will be used		
R10:0 R0x00A	15:0	0x0000	Pixel Clock Control (RW)
	15	0x0000	Invert Pixel Clock When set, LV, FV, and D_OUT should be captured on the rising edge of PIXCLK. When clear, they should be captured on the falling edge. This is accomplished by inverting the PIXCLK output NOTE: This field is not reset by the soft Reset (R13)
	14:11	X	Reserved
	10:8	0x0000	Shift Pixel Clock Two's complement value representing how far to shift the PIXCLK output pin relative to DOUT, in EXTCLK cycles. Positive values shift PIXCLK later in time relative to DOUT (and thus relative to the internal array/datapath clock). No effect unless PIXCLK is divided by Divide Pixel Clock NOTE: This field is not reset by the soft Reset (R13) Legal values: [-2, 2]
	7	X	Reserved

Table 13. REGISTER DESCRIPTION (continued)

Reg. #	Bits	Default	Name
R10:0 R0x00A	6:0	0x0000	<p>Divide Pixel Clock Produces a PIXCLK that is divided by the value times two. The value must be zero or a power of 2. This will slow down the internal clock in the array control and datapath blocks, including pixel readout. It will not affect the two-wire serial interface clock. A value of "0" corresponds to a PIXCLK with the same frequency as EXTCLK. A value of 1 means $f_{PIXCLK} = (f_{EXTCLK} / 2)$; 2 means $f_{PIXCLK} = (f_{EXTCLK} / 4)$; 64 means $f_{PIXCLK} = (f_{EXTCLK} / 128)$; and so on</p> <p>NOTE: This field is not reset by the soft Reset (R13). This field should not be written while in streaming mode. Instead, Pause_Restart should be used to suspend output while the divider is being changed. Legal values: [0, 1, 2, 4, 8, 16, 32, 64]</p>
R11:0 R0x00B	15:0	0x0000	Restart (RW)
	15:3	X	Reserved
	2	0x0000	<p>Trigger Setting this bit in Snapshot mode will cause the next trigger to occur as if the TRIGGER pin were properly asserted/negated. Ineffective if not in Snapshot mode. The sense of this bit is NOT affected by Invert Trigger. When using this bit instead of the TRIGGER pin, make sure that either the trigger pin is continuously asserted, or that the pad is continuously negated and Invert_Trigger is set</p>
	1	0x0000	<p>Pause Restart When set, Restart will not automatically be cleared. Instead, the sensor will pause at row 0 after Restart is set. When Pause_Restart is cleared, the sensor will resume. This allows for a repeatable delay from clearing restart to FV. When clearing this bit, be sure not to clear Restart as well: it will be cleared automatically when the device has restarted</p>
	0	0x0000	<p>Restart Setting this bit will cause the sensor to abandon the current frame and restart from the first row. It will take up to $2 \times t_{ROW}$ for the restart to take effect. This bit resets to 0 automatically unless Pause_Restart is set. Manually setting this bit to zero will cause undefined behavior Volatile</p>
R12:0 R0x00C	15:0	0x0000	Shutter Delay (RW)
	A negative adjustment to the effective shutter width in ACLKs. See Shutter_Width_Lower. Writes are synchronized to frame boundaries. Affected by Synchronize_Changes. Legal values: [0, 8191]		
R13:0 R0x00D	15:0	0x0000	Reset (RW)
	Setting this bit will put the sensor into reset mode, which will set the sensor to its default power-up state and cause it to halt. Clearing this bit will resume normal operation. This is equivalent to pulling RESET_BAR LOW, except that the two-wire serial interface remains functional		
R16:0 R0x010	15:0	0x0050	PLL Control (RW)
	15	0x0000	Reserved
	14:13	0x0000	Reserved
	12:9	X	Reserved
	8	0x0000	Reserved
	7:4	0x0005	Reserved
	3:2	X	Reserved
	1	0x0000	<p>Use PLL When set, use the PLL output as the system clock. When clear, use EXTCLK as the system clock</p>
	0	0x0000	<p>Power PLL When set, the PLL is powered. When clear, it is not powered</p>

Table 13. REGISTER DESCRIPTION (continued)

Reg. #	Bits	Default	Name
R17:0 R0x011	15:0	0x6404	PLL Config 1 (RW)
	15:8	0x0064	PLL m Factor PLL output frequency multiplier Legal values: [16, 255]
	7:6	X	Reserved
	5:0	0x0004	PLL n Divider PLL output frequency divider minus 1 Legal values: [0, 63]
R18:0 R0x012	15:0	0x0000	PLL Config 2 (RW)
	15:13	X	Reserved
	12:8	0x0000	Reserved
	7:5	X	Reserved
	4:0	0x0000	PLL p1 Divider PLL system clock divider minus 1. Use odd numbers. If this is set to an even number, the system clock duty cycle will not be 50:50. In this case, set all bits in R101 or slow down EXTCLK Legal values: [0, 127]
R30:0 R0x01E	15:0	0x4006	Read Mode 1 (RW)
	15	X	Reserved
	14	0x0001	Reserved
	13	0x0000	Reserved
	12	0x0000	Reserved
	11	0x0000	XOR Line Valid When set, produce a LV signal that is the XOR of FV and the normal line_valid. Ineffective if Continuous Line Valid is set. When clear, produce a normal LV
	10	0x0000	Continuous Line Valid When set, produce the LV signal even during the vertical blank period. When clear, produce LV only when active rows are being read out (that is, only when FV is high). Ineffective if FIFO_Parallel_Data is set
	9	0x0000	Invert Trigger When set, the sense of the TRIGGER input pin will be inverted
	8	0x0000	Snapshot When set, the sensor enters snapshot mode, and will wait for a trigger event between frames. When clear, the sensor is in continuous mode. Writes are synchronized to frame boundaries. Affected by Synchronize_Changes
	7	0x0000	Global Reset When set, the Global Reset Release shutter will be used. When clear, the Electronic Rolling Shutter will be used. Writes are synchronized to frame boundaries. Affected by Synchronize_Changes
	6	0x0000	Bulb Exposure When set, exposure time will be controlled by an external trigger. When clear, exposure time will be controlled by the Shutter_Width_Lower and Shutter_Width_Upper registers. Writes are synchronized to frame boundaries. Affected by Synchronize_Changes
	5	0x0000	Invert Strobe When set, the STROBE signal will be active LOW (during exposure). When clear, the STROBE signal is active HIGH
4	0x0000	Strobe Enable When set, a strobe signal will be generated by the digital logic during integration. When clear, the strobe pin will be set to the value of Invert_Strobe	

Table 13. REGISTER DESCRIPTION (continued)

Reg. #	Bits	Default	Name
R30:0 R0x01E	3:2	0x0001	Strobe Start Determines the timepoint when the strobe is asserted. 0 – first trigger 1 – start of simultaneous exposure 2 – shutter width 3 – second trigger Writes are synchronized to frame boundaries. Affected by Synchronize_Changes
	1:0	0x0002	Strobe End Determines the timepoint when the strobe is negated. If this is set equal to or less than Strobe_Start, the width of the strobe pulse will be t_ROW. See Strobe_Start. Writes are synchronized to frame boundaries. Affected by Synchronize_Changes
R32:0 R0x020	15:0	0x0040	Read Mode 2 (RW)
	15	0x0000	Mirror Row When set, row readout in the active image occurs in reverse numerical order starting from (Row_Start + Row_Size). When clear, row readout of the active image occurs in numerical order. This has no effect on the readout of the dark rows. Writes are synchronized to frame boundaries. Affected by Synchronize_Changes. Causes a Bad Frame if written
	14	0x0000	Mirror Column When set, column readout in the active image occurs in reverse numerical order, starting from (Column_Start + Column_Size). When clear, column readout of the active image occurs in numerical order. This has no effect on the readout of the dark columns. Writes are synchronized to frame boundaries. Affected by Synchronize_Changes
	13	0x0000	Reserved
	12	0x0000	Show Dark Columns When set, the dark columns will be output to the left of the active image, making the output image wider. This has no effect on integration time or frame rate. When clear, only columns that are part of the active image will be output. Writes are synchronized to frame boundaries. Affected by Synchronize_Changes
	11	0x0000	Show Dark Rows When set, the dark rows will be output before the active image rows, making the output image taller. This has no effect on integration time or frame rate. When clear, only rows from the active image will be output. Writes are synchronized to frame boundaries. Affected by Synchronize_Changes
	10:7	X	Reserved
	6	0x0001	Row BLC When set, digitally compensate for differing black levels between rows by adding Dark Target (R73) and subtracting the average value of the 8 same-color dark pixels at the beginning of the row. When clear, digitally add Row Black Default Offset (R75) to the value of each pixel
	5	0x0000	Column Sum When set, column summing will be enabled, and in column bin modes, all sampled capacitors will be enabled for column readout, resulting in an effective gain equal to the column bin factor. When clear, column averaging will be done, and there will be no additional gain related to the column bin factor Writes are synchronized to frame boundaries. Affected by Synchronize_Changes
	4	0x0000	Reserved
	3:0	X	Reserved
	R34:0 R0x022	15:0	0x0000
15		X	Reserved
14:12		0x0000	Reserved
11		X	Reserved
10:8		0x0000	Reserved
7:6		X	Reserved

Table 13. REGISTER DESCRIPTION (continued)

Reg. #	Bits	Default	Name
R34:0 R0x022	5:4	0x0000	Row Bin The number of rows to be read and averaged per row output minus one. The rows will be read independently into sampling capacitors, then averaged together before column readout. For normal readout, this should be 0. For Bin 2X, it should be 1; for Bin 4X, it should be 3. Writes are synchronized to frame boundaries. Affected by Synchronize_Changes. Causes a Bad Frame if written. Legal values: [0, 3]
	3	X	Reserved
	2:0	0x0000	Row Skip The number of row-pairs to skip for every row-pair output. A value of zero means to read every row. For Skip 2X, this should be 1; for Skip 3X, it should be 2, and so on. This value should be no less than Row_Bin. For full binning, Row_Skip should equal Row_Bin Writes are synchronized to frame boundaries. Affected by Synchronize_Changes. Causes a Bad Frame if written. Legal values: [0, 7]
R35:0 R0x023	15:0	0x0000	Column Address Mode (RW)
	15:11	X	Reserved
	10:8	0x0000	Reserved
	7:6	X	Reserved
	5:4	0x0000	Column Bin The number of columns to be read and averaged per column output minus one. For normal readout, this should be zero. For Bin 2X, it should be 1; for Bin 4X, it should be 3. Writes are synchronized to frame boundaries. Affected by Synchronize_Changes. Causes a Bad Frame if written. Legal values: {0, 1, 3}
	3	X	Reserved
R43:0 R0x02B	2:0	0x0000	Column Skip The number of column-pairs to skip for every column-pair output. A value of zero means to read every column in the active image. For Skip 2X, this should be 1; for Skip 3X, this should be 2, and so on. This value should be no less than Column_Bin. For full binning, Column_Skip should equal Column_Bin. Writes are synchronized to frame boundaries. Affected by Synchronize_Changes. Causes a Bad Frame if written. Legal values: [0, 6]
	15:0	0x0008	Green1 Gain (RW)
	15	X	Reserved
	14:8	0x0000	Green1 Digital Gain Digital Gain for the Green1 channel minus 1 times 8. The actual digital gain is $(1 + \text{value}/8)$, and can range from 1 (a setting of 0) to 16 (a setting of 120) in increments of 1/8. Writes are synchronized to frame boundaries. Affected by Synchronize_Changes. Volatile Legal values: [0, 120]
	7	X	Reserved
	6	0x0000	Green1 Analog Multiplier Analog gain multiplier for the Green1 channel minus 1. If 1, an additional analog gain of 2X will be applied. If 0, no additional gain is applied. Writes are synchronized to frame boundaries. Affected by Synchronize_Changes. Volatile
5:0	0x0008	Green1 Analog Gain Analog gain setting for the Green1 channel times 8. The effective gain for the channel is $((\text{Green1_Digital_Gain}/8) + 1) \times (\text{Green1_Analog_Multiplier} + 1) \times (\text{Green1_Analog_Gain}/8)$. Writes are synchronized to frame boundaries. Affected by Synchronize_Changes. Volatile. Legal values: [8, 63]	
R44:0 R0x02C	15:0	0x0008	Blue Gain (RW)
	15	X	Reserved
	14:8	0x0000	Blue Digital Gain Digital Gain for the Blue channel minus 1 times 8. The actual digital gain is $(1 + \text{value}/8)$, and can range from 1 (a setting of 0) to 16 (a setting of 120) in increments of 1/8. Writes are synchronized to frame boundaries. Affected by Synchronize_Changes. Volatile. Legal values: [0, 120]

Table 13. REGISTER DESCRIPTION (continued)

Reg. #	Bits	Default	Name
R44:0 R0x02C	7	X	Reserved
	6	0x0000	Blue Analog Multiplier Analog gain multiplier for the Blue channel minus 1. If 1, an additional analog gain of 2X will be applied. If 0, no additional gain is applied. Writes are synchronized to frame boundaries. Affected by Synchronize_Changes. Volatile
	5:0	0x0008	Blue Analog Gain Analog gain setting for the Blue channel times 8. The effective gain for the channel is $((\text{Blue_Digital_Gain}/8) + 1) \times (\text{Blue_Analog_Multiplier} + 1) \times (\text{Blue_Analog_Gain}/8)$. Writes are synchronized to frame boundaries. Affected by Synchronize_Changes. Volatile Legal values: [8, 63]
R45:0 R0x02D	15:0	0x0008	Red Gain (RW)
	15	X	Reserved
	14:8	0x0000	Red Digital Gain Digital Gain for the Red channel minus 1 times 8. The actual digital gain is $(1 + \text{value}/8)$, and can range from 1 (a setting of 0) to 16 (a setting of 120) in increments of 1/8. Writes are synchronized to frame boundaries. Affected by Synchronize_Changes. Volatile. Legal values: [0, 120]
	7	X	Reserved
	6	0x0000	Red Analog Multiplier Analog gain multiplier for the Red channel minus 1. If 1, an additional analog gain of 2X will be applied. If 0, no additional gain is applied. Writes are synchronized to frame boundaries. Affected by Synchronize_Changes. Volatile
	5:0	0x0008	Red Analog Gain Analog gain setting for the Red channel times 8. The effective gain for the channel is $((\text{Red_Digital_Gain}/8) + 1) \times (\text{Red_Analog_Multiplier} + 1) \times (\text{Red_Analog_Gain}/8)$. Writes are synchronized to frame boundaries. Affected by Synchronize_Changes. Volatile. Legal values: [8, 63]
R46:0 R0x02E	15:0	0x0008	Green2 Gain (RW)
	15	X	Reserved
	14:8	0x0000	Green2 Digital Gain Digital Gain for the Green2 channel minus 1 times 8. The actual digital gain is $(1 + \text{value}/8)$, and can range from 1 (a setting of 0) to 16 (a setting of 120) in increments of 1/8. Writes are synchronized to frame boundaries. Affected by Synchronize_Changes. Volatile Legal values: [0, 120]
	7	X	Reserved
	6	0x0000	Green2 Analog Multiplier Analog gain multiplier for the Green2 channel minus 1. If 1, an additional analog gain of 2X will be applied. If 0, no additional gain is applied. Writes are synchronized to frame boundaries. Affected by Synchronize_Changes. Volatile
	5:0	0x0008	Green2 Analog Gain Analog gain setting for the Green2 channel times 8. The effective gain for the channel is $((\text{Green2_Digital_Gain}/8) + 1) \times (\text{Green2_Analog_Multiplier} + 1) \times (\text{Green2_Analog_Gain}/8)$. Writes are synchronized to frame boundaries. Affected by Synchronize_Changes. Volatile. Legal values: [8, 63]
R53:0 R0x035	15:0	0x0008	Global Gain (WO)
	Writing the Global_Gain sets all four individual gain registers R43–R46 to the value. This register should not be read. See Green1_Gain (R43) for a description of the various fields. Affected by Synchronize_Changes. Duplicate Legal values: special		
R73:0 R0x049	15:0	0x00A8	Row Black Target (RW)
	Reserved		
R75:0 R0x04B	15:0	0x0028	Row Black Default Offset (RW)
	Reserved		

Table 13. REGISTER DESCRIPTION (continued)

Reg. #	Bits	Default	Name
R91:0 R0x05B	15:0	0x0001	BLC_Sample_Size (RW)
	Reserved		
R92:0 R0x05C	15:0	0x005A	BLC_Tune_1 (RW)
	15:12	X	Reserved
	11:8	0x0000	Reserved
	7:0	0x005A	Reserved
R93:0 R0x05D	15:0	0x2D13	BLC_Delta_Thresholds (RW)
	15	X	Reserved
	14:8	0x002D	Reserved
	7	X	Reserved
	6:0	0x0013	Reserved
R94:0 R0x05E	15:0	0x41FF	BLC_Tune_2 (RW)
	15	X	Reserved
	14:12	0x0004	Reserved
	11:9	X	Reserved
	8:0	0x01FF	Reserved
R95:0 R0x05F	15:0	0x231D	BLC_Target_Thresholds (RW)
	15	X	Reserved
	14:8	0x0023	Reserved
	7	X	Reserved
	6:0	0x001D	Reserved
R96:0 R0x060	15:0	0x0020	Green1_Offset (RW)
	Reserved		
R97:0 R0x061	15:0	0x0020	Green2_Offset (RW)
	Reserved		
R98:0 R0x062	15:0	0x0000	Black_Level_Calibration (RW)
	15	0x0000	Reserved
	14	0x0000	Reserved
	13	0x0000	Reserved
	12	0x0000	Reserved
	11	0x0000	Reserved
	10:2	X	Reserved
	1	0x0000	Reserved
	0	0x0000	Reserved
R99:0 R0x063	15:0	0x0020	Red_Offset (RW)
	Reserved		
R100:0 R0x064	15:0	0x0020	Blue_Offset (RW)
	Reserved		

Table 13. REGISTER DESCRIPTION (continued)

Reg. #	Bits	Default	Name
R160:0 R0x0A0	6:3	0x0000	Test_Pattern_Control
			Sets the test pattern mode: 0: color field 1: horizontal gradient 2: vertical gradient 3: diagonal 4: classic 5: walking 1 s 6: monochrome horizontal bars 7: monochrome vertical bars 8: vertical color bars Legal values: [0, 15]
	2	0x0	Reserved
	1	0x0	Reserved
	0	0x0	Enable_Test_Pattern Enables the test pattern. When set, data from the ADC will be replaced with a digitally generated test pattern specified by Test_Pattern_Mode
R161:0 R0x0A1	11:0	0x0000	Test_Pattern_Green
			Value used for green pixels of dark rows and columns in all test patterns, and for the color field Legal values: [0, 4095]
R162:0 R0x0A2	11:0	0x0000	Test_Pattern_Red
			As above for red Legal values: [0, 4095]
R163:0 R0x0A3	11:0	0x0000	Test_Pattern_Blue
			As above for blue Legal values: [0, 4095]
R164:0 R0x0A4	11:0	0x0000	Test_Pattern_Bar_Width
			The width of the monochrome color bars in test modes 6 and 7. This should be set to an odd value Legal values: [0, 4095], odd
R255:0 R0x0FF	15:0	0x1801	Chip_Version_Alt
			Mirror of R0[15:0] Read-only. Duplicate. Appears in all pages. Legal values: special

FEATURES

Reset

The MT9P401 may be reset by using RESET_BAR (active LOW) or the reset register.

Hard Reset

Assert (LOW) RESET_BAR, it is not necessary to clock the device. All registers return to the factory defaults. When the pin is negated (HIGH), the chip resumes normal operation.

Soft Reset

Set the Reset register field to “1” (R0x0D[0] = 1). All registers except the following will be reset:

- Chip_Enable
- Synchronize_Changes
- Reset
- Use_PLL
- Power_PLL
- PLL_m_Factor
- PLL_n_Divider
- PLL_p1_Divider

When the field is returned to “0”, the chip resumes normal operation.

Power Up and Power Down

When first powering on the MT9P401, follow this sequence:

1. Ensure RESET_BAR is asserted (LOW)
2. Bring up the supplies. If both the analog and the digital supplies cannot be brought up simultaneously, ensure the digital supply comes up first
3. Negate RESET_BAR (HIGH) to bring up the sensor

When powering down, be sure to follow this sequence to ensure that I/Os do not load any buses that they are connected to.

1. Assert RESET_BAR
2. Remove the supplies

Clocks

The MT9P401 requires one clock (EXTCLK), which is nominally 96 MHz. By default, this results in pixels being output on the DOUT pins at a maximum data rate of 96 Mp/s. With VDD_IO = 1.8 V, maximum master clock and maximum data rate become 48 MHz and 48 Mp/s, respectively. The EXTCLK clock can be divided down internally by setting Divide_Pixel_Clock to a non-zero value. This slows down the operation of the chip as though EXTCLK had been divided externally.

$$f_{PIXCLK} = \begin{cases} f_{EXTCLK} & \text{if Divide_Pixel_Clock} = 0 \\ f_{EXTCLK} / (2 \times \text{Divide_Pixel_Clock}) & \text{otherwise} \end{cases}$$

The DOUT, LV, FV, and STROBE outputs are launched on the rising edge of PIXCLK, and should be captured on the falling edge of PIXCLK. The specific relationship of PIXCLK to these other outputs can be adjusted in two ways. If Invert_Pixel_Clock is set, the sense of PIXCLK is inverted from that shown in Figure 8. In addition, if the pixel clock has been divided by Divide_Pixel_Clock, it can be shifted relative to the other outputs by setting Shift_Pixel_Clock.

output, and another divider stage to generate the output clock. The clocking structure is shown in Figure 13. PLL control registers can be programmed to generate desired master clock frequency.

NOTE: The PLL control registers must be programmed while the sensor is in the software Standby state. The effect of programming the PLL divisors while the sensor is in the streaming state is undefined.

PLL-Generated Master Clock

The PLL contains a prescaler to divide the input clock applied on EXTCLK, a VCO to multiply the prescaler

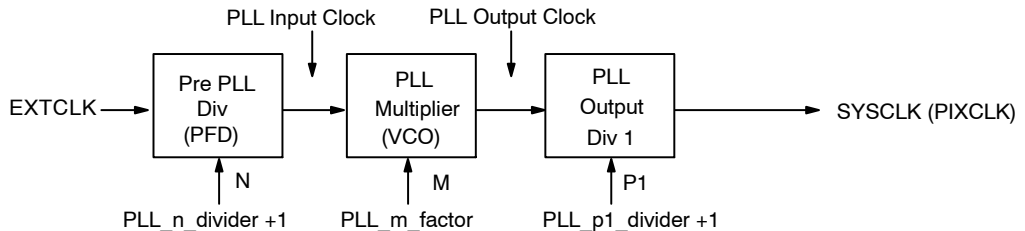


Figure 13. PLL-Generated Master Clock

PLL Setup

The MT9P401 has a PLL which can be used to generate the pixel clock internally.

To use the PLL:

1. Bring the MT9P401 up as normal, make sure that f_{EXTCLK} is between 6 and 27 MHz and then power on the PLL by setting Power_PLL (R0x10[0] = 1)
2. Set PLL_m_Factor, PLL_n_Divider, and PLL_p1_Divider based on the desired input (f_{EXTCLK}) and output (f_{PIXCLK}) frequencies. Determine the M, N, and P1 values to achieve the desired f_{PIXCLK} using this formula:

$$f_{PIXCLK} = (f_{EXTCLK} \times M) / (N \times P1)$$
 where

$$M = PLL_m_Factor$$

$$N = PLL_n_Divider + 1$$

$$P1 = PLL_p1_Divider + 1$$

NOTE: If P1 is odd (that is, PLL_p1_Divider is even), the duty cycle of the internal system clock will not be 50:50. In this case, it is important that either a slower clock is used or all clock enable bits are set in R101.

$$2\text{ MHz} < f_{EXTCLK} / N < 13.5\text{ MHz}$$

$$180\text{ MHz} < (f_{EXTCLK} \times M) / N < 360\text{ MHz}$$

It is desirable to keep (f_{EXTCLK} / n) as large as possible within the limits. Also, “m” must be between 16 and 255, inclusive.

3. Wait 1ms to ensure that the VCO has locked
4. Set Use_PLL (R0x10[1] = 1) to switch from EXTCLK to the PLL-generated clock

Standby and Chip Enable

The MT9P401 can be put in a low-power Standby state by either method below:

1. Hard Standby: By pulling STANDBY_BAR LOW, or
2. Soft Standby: By clearing the Chip_Enable register field (R0x07[1] = 0)

When the sensor is put in standby, all internal clocks are gated, and analog circuitry is put in a state that it draws minimal power. The two-wire serial interface remains minimally active so that the Chip_Enable bit can subsequently be cleared. Reads cannot be performed and only the Chip_Enable and Invert_Standby registers are writable.

If the sensor was in continuous mode when put in standby, it resumes from where it was when standby was deactivated. Naturally, this frame and the next frame are corrupted, though the sensor itself does not realize this. As this could affect automatic black level calibration, it is recommended that either the chip be paused (by setting Restart_Pause) before being put in standby mode, or it be restarted (setting Restart) upon resumption of operation.

For maximum power savings in standby mode, EXTCLK should not be toggling.

When standby mode is entered, either by clearing Chip_Enable or by asserting STANDBY_BAR, the PLL is disabled automatically or powered down. It must be manually re-enabled when leaving standby as needed.

Full-Array Readout

The entire array, including dark pixels, can be read out without digital processing or automatic black level adjustments. This can be accomplished as follows:

1. Set Row_Start and Column_Start to 0
2. Set Row_Size to 2003
3. Set Column_Size to 2751
4. Set Manual_BLC to 1
5. Set Row_BLC to 0
6. Set Row_Black_Default_Offset to 0
7. Set Show_Dark_Rows and Show_Dark_Columns to 0

If automatic analog (coarse) BLC is desired, but no digital processing, modify the above settings as follows:

1. Set Row_Start to 12
2. Set Row_Size to 1993
3. Set Manual_BLC to 0

These settings result in the same array layout as above, but only 22 dark rows are available at the top of the array; the first eight are used in the black level algorithm, and there should be a two-row buffer between the black region and the active region.

Window Control

The output image window of the pixel (the FOV) is defined by four register fields. Column_Start and Row_Start define the X and Y coordinates of the upper-left corner of the FOV. Column_Size defines the width of the FOV, and Row_Size defines the height of the FOV in array pixels.

The Column_Start and Row_Start fields must be set to an even number. The Column_Size and Row_Size fields must be set to odd numbers (resulting in an even size for the FOV). The Row_Start register should be set no lower than 12 if either Manual_BLC is clear or Show_Dark_Rows is set.

If no special resolution modes are set (see below), the width of the output image, W, is $Column_Size + 1$ and the height, H, is $Row_Size + 1$.

Readout Modes

Subsampling

By default, the resolution of the output image is the full width and height of the FOV as defined in “Window Control”. The output resolution can be reduced by two methods: Skipping and Binning.

Row and column skip modes use subsampling to reduce the output resolution without reducing FOV. The MT9P401 also has row and column binning modes, which can reduce the impact of aliasing introduced by the use of skip modes.

This is achieved by the averaging of 2 or 3 adjacent rows and columns (adjacent same-color pixels). Both 2X and 4X binning modes are supported. Rows and columns can be binned independently.

Skipping

Skipping reduces resolution by using only selected pixels from the FOV in the output image. In skip mode, entire rows

and columns of pixels are not sampled, resulting in a lower resolution output image. A skip 2X mode skips one Bayer pair of pixels for every pair output. Skip 3X skips two pairs for each one pair output. Rows and columns are always read out in pairs. If skip 2X mode is enabled with otherwise default sensor settings, the columns in the output image correspond to the pixel array columns 16, 17, 20, 21, 24, 25... .

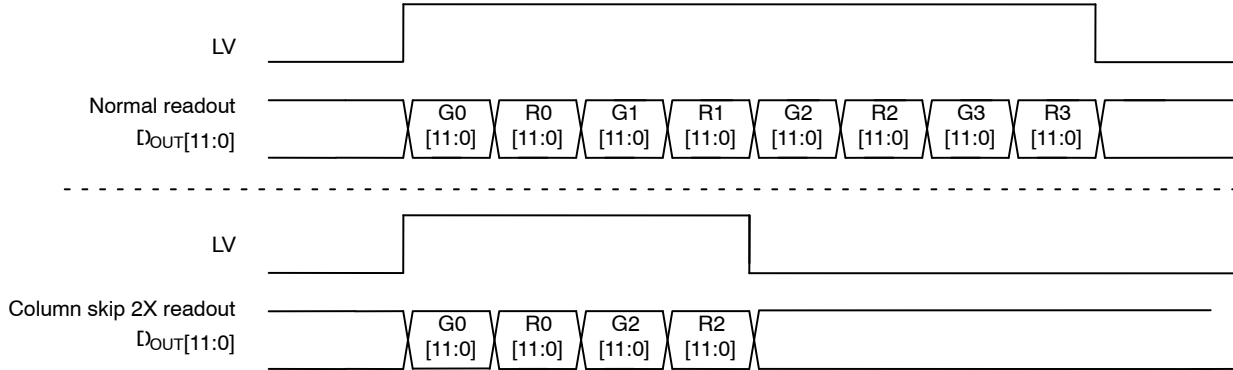


Figure 14. Eight Pixels in Normal and Column Skip 2X Readout Modes

Skipping can be enabled separately for rows and columns. To enable skip mode, set either or both of Row_Skip and Column_Skip to the number of pixel pairs that should be skipped for each pair used in the output image. For example, to set column skip 2X mode, set Column_Skip to “1.”

The size of the output image is reduced by the skip mode as shown in the following two equations:

$$W = 2 \times \text{ceil}((\text{Column_Size} + 1)) / (2 \times (\text{Column_Skip} + 1)) \quad (\text{eq. 1})$$

$$H = 2 \times \text{ceil}((\text{Row_Size} + 1)) / (2 \times (\text{Row_Skip} + 1)) \quad (\text{eq. 2})$$

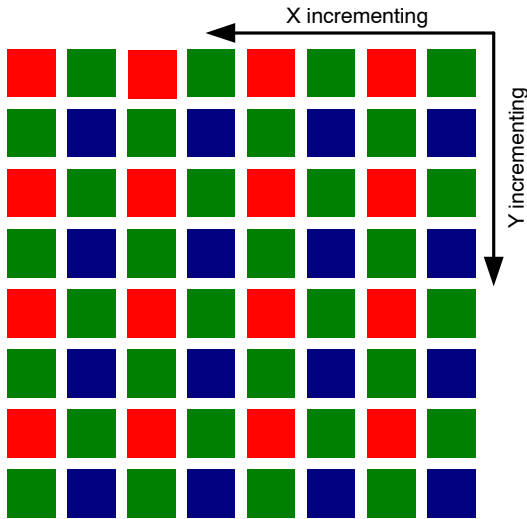


Figure 15. Pixel Readout (no skipping)

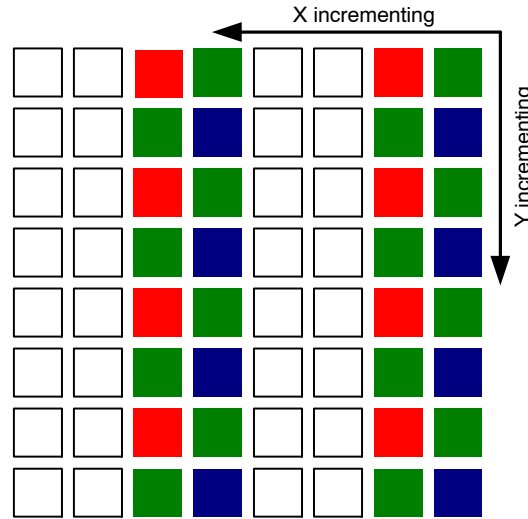


Figure 16. Pixel Readout (Column Skip 2X)

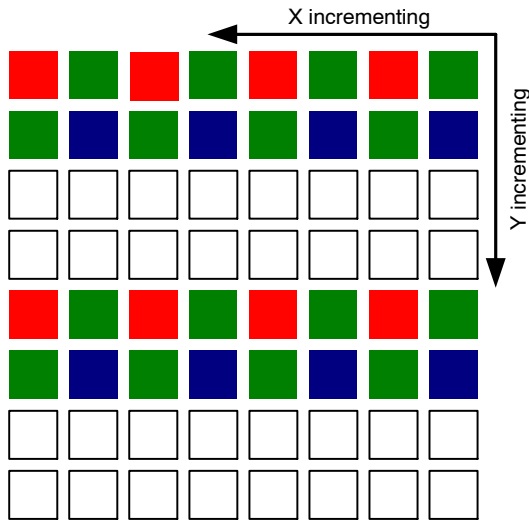


Figure 17. Pixel Readout (Row Skip 2X)

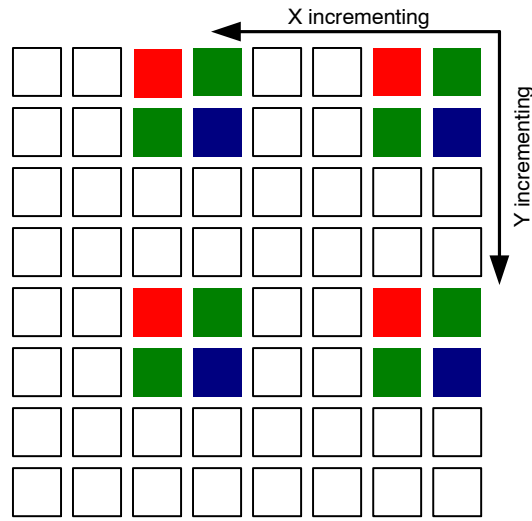


Figure 18. Pixel Readout (Column Skip 2X, Row Skip 2X)

Binning

Binning reduces resolution by combining adjacent same-color imager pixels to produce one output pixel. All of the pixels in the FOV contribute to the output image in bin mode. This can result in a more pleasing output image with reduced subsampling artifacts. It also improves low-light performance. For columns, the combination step can be either an averaging or summing operation. Depending on lighting conditions, one or the other may be desirable. In low-light conditions, summing produces a gain roughly equivalent to the column bin factor. Column summing may be enabled by setting Column_Sum.

Binning works in conjunction with skipping. Pixels that would be skipped because of the Column_Skip and

Row_Skip settings can be averaged instead by setting Column_Bin and Row_Bin to the number of neighbor pixels to be averaged with each output pixel. For example, to set bin 2x mode, set Column_Skip and Column_Bin to 1. Additionally, Column_Start must be a multiple of $(2 \times (\text{Column_Bin} + 1))$ and Row_Start must be a multiple of $(2 \times (\text{Row_Bin} + 1))$.

Only certain combinations of binning and skipping are allowed.

These are shown in Table 14. If an illegal skip value is selected for a bin mode, a legal value is selected instead.

Table 14. LEGAL VALUES FOR COLUMN_SKIP BASED ON COLUMN_BIN

Column_Bin	Legal Values for Column_Skip
0 (no binning)	0, 1, 2, 3, 4, 5, 6
1 (Bin 2x)	1, 3, 5
3 (Bin 4x)	3

1. Ensure that Column_Start (R0x02) is set in the form shown below, where n is an integer:

	Mirror Column = 0	Mirror Column = 1
no bin	$4n$	$4n + 2$
Bin 2x	$8n$	$8n + 4$
Bin 4x	$16n$	$16n + 8$

Bin mode is illustrated in Figure 19 and Figure 20.

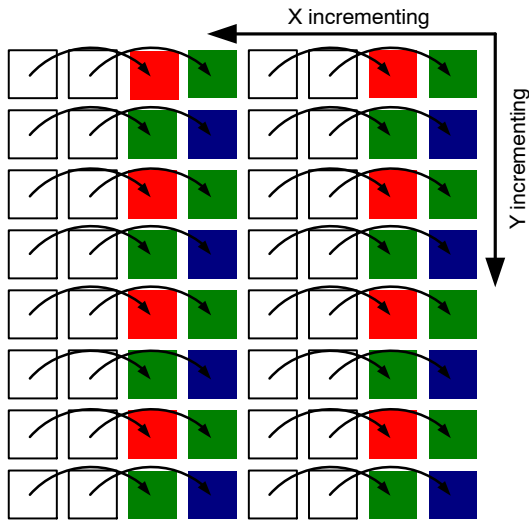


Figure 19. Pixel Readout (Column Bin 2X)

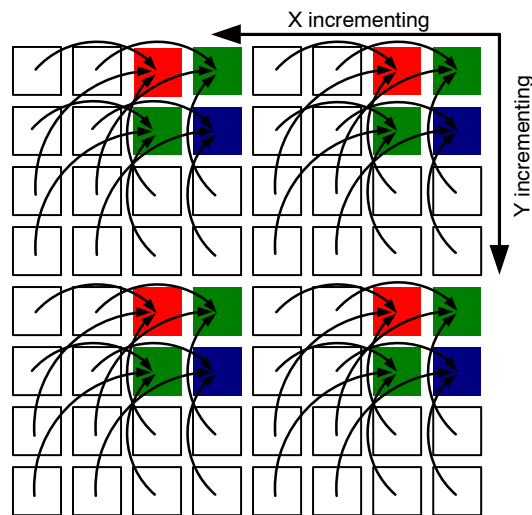


Figure 20. Pixel Readout (Column Bin 2X, Row Bin 2X)

Mirror

Column Mirror Image

By setting R0x20[14] = 1, the readout order of the columns is reversed, as shown in Figure 21. The starting

color, thus Bayer pattern, is preserved when mirroring the columns.

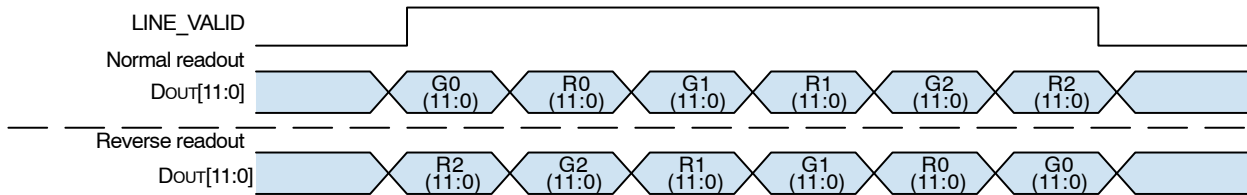


Figure 21. Six Pixels in Normal and Column Mirror Readout Modes

Row Mirror Image

By setting R0x20[15] = 1, the readout order of the rows is reversed as shown in Figure 22. The starting Bayer pattern, is preserved when mirroring the rows.

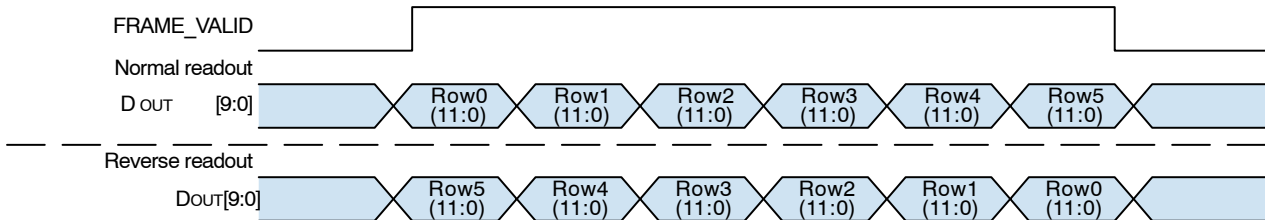


Figure 22. Six Pixels in Normal and Row Mirror Readout Modes

By default, active pixels in the resulting image are output in row-major order (an entire row is output before the next row is begun), from lowest row/column number to highest. If desired, the output (and sampling) order of the rows and columns can be reversed. This affects only pixels in the active region defined above, not any pixels read out as dark

rows or dark columns. When the readout direction is reversed, the color order is reversed as well (red, green, red, and so on, instead of green, red, green, and so on, for example).

If row binning is combined with row mirroring, the binning is still done in the positive direction. Therefore, if

the first output row in bin $2x + \text{row mirror}$ was 1997, pixels on rows 1997 and 1999 would be averaged together. The next pixel output would be from rows 1996 and 1998, followed by the average of 1993 and 1995.

For column mirroring plus binning, the span of pixels used should be the same as with non-mirror mode.

Maintaining a Constant Frame Rate

Maintaining a constant frame rate while continuing to have the ability to adjust certain parameters is the desired scenario. This is not always possible, however, because register updates are synchronized to the read pointer, and the shutter pointer for a frame is usually active during the readout of the previous frame. Therefore, any register changes that could affect the row time or the set of rows sampled causes the shutter pointer to start over at the beginning of the next frame.

By default, the following register fields cause a “bubble” in the output rate (that is, the vertical blank increases for one frame) if they are written in continuous mode, even if the new value would not change the resulting frame rate:

- Row_Start
- Row_Size
- Column_Size
- Horizontal_Blank
- Vertical_Blank
- Shutter_Delay
- Mirror_Row
- Row_Bin
- Row_Skip
- Column_Skip

The size of this bubble is $(\text{SW} \times \text{ROW})$, calculating the row time according to the new settings.

The Shutter_Width_Lower and Shutter_Width_Upper fields may be written without causing a bubble in the output rate under certain circumstances. Because the shutter sequence for the next frame often is active during the output of the current frame, this would not be possible without special provisions in the hardware. Writes to these registers take effect two frames after the frame they are written, which allows the shutter width to increase without interrupting the output or producing a corrupt frame (as long as the change in shutter width does not affect the frame time).

Synchronizing Register Writes to Frame Boundaries

Changes to most register fields that affect the size or brightness of an image take effect on the frame after the one during which they are written. These fields are noted as “synchronized to frame boundaries” in Table 12: Register List and Default Values.

To ensure that a register update takes effect on the next frame, the write operation must be completed after the leading edge of FV and before the trailing edge of FV.

As a special case, in Snapshot modes (see “Operating Modes”), register writes that occur after FV but before the next trigger will take effect immediately on the next frame, as if there had been a Restart. However, if the trigger for the next frame in ERS Snapshot mode occurs during FV, register writes take effect as with continuous mode.

Additional control over the timing of register updates can be achieved by using synchronize_changes. If this bit is set, writes to certain register fields that affect the brightness of the output image do not take effect immediately. Instead, the new value is remembered internally. When synchronize_changes is cleared, all the updates simultaneously take effect on the next frame (as if they had all been written the instant synchronize_changes was cleared). Register fields affected by this bit are identified in Table 13: Register Description.

Fields not identified as being frame-synchronized or affected by synchronize_changes are updated immediately after the register write is completed. The effect of these registers on the next frame can be difficult to predict if they affect the shutter pointer.

Restart

To restart the MT9P401 at any time during the operation of the sensor, write a “1” to the restart register ($\text{R0x0B}[0] = 1$). This has two effects: first, the current frame is interrupted immediately. Second, any writes to frame-synchronized registers and the shutter width registers take effect immediately, and a new frame starts (in continuous mode). Register updates being held by synchronize_changes do not take effect until that bit is cleared. The current row and one following row complete before the new frame is started, so the time between issuing the Restart and the beginning of the next frame can vary by about ROW.

If Pause_Restart is set, rather than immediately beginning the next frame after a restart in continuous mode, the sensor pauses at the beginning of the next frame until Pause_Restart is cleared. This can be used to achieve a deterministic time period from clearing the Pause_Restart bit to the beginning of the first frame, meaning that the controller does not need to be tightly synchronized to LV or FV.

NOTE: When Pause_Restart is cleared, be sure to leave Restart set to “1” for proper operation. The Restart bit will be cleared automatically by the device.

Image Acquisition Modes

Electronic Rolling Shutter

The ERS modes take pictures by scanning the rows of the sensor twice in the order described in “Full-Array Readout”. On the first scan, each row is released from reset, starting the exposure. On the second scan, the row is sampled, processed, and returned to the reset state. The exposure for any row is therefore the time between the first and second

scans. Each row is exposed for the same duration, but at slightly different point in time, which can cause a shear in moving subjects.

Whenever the mode is changed to an ERS mode (even from another ERS mode), and before the first frame following reset, there is an anti-blooming sequence where all rows are placed in reset. This sequence must complete before continuous readout begins. This delay is:

$${}^1\text{ALLRESET} = 16 \times 2004 \times {}^1\text{ACLK}$$

Global Reset Release

The GRR modes attempt to address the shearing effect by starting all rows' exposures at the same time. Instead of the first scan used in ERS mode, the reset to each row is released simultaneously. The second scan occurs as normal, so the exposure time for each row would differ. Typically, an external mechanical shutter would be used to stop the exposure of all rows simultaneously.

In GRR modes, there is a startup overhead before each frame as all rows are initially placed in the reset state (${}^1\text{ALLRESET}$). Unlike ERS mode, this delay always occurs before each frame. However, it occurs as soon as possible after the preceding frame, so typically the time from trigger to the start of exposure does not include this delay. To ensure that this is the case, the first trigger must occur no sooner than ${}^1\text{ALLRESET}$ after the previous frame is read out.

Exposure

The nominal exposure time, ${}^1\text{EXP}$, is the effective shutter time in ERS modes, and is defined by the shutter width, SW, and the shutter overhead, SO, which includes the effect of Shutter_Delay. Exposure time for other modes is defined relative to this time. Increasing Shutter_Delay (SD) decreases the exposure time. Exposure times are typically specified in units of row time, although it is possible to fine-tune exposures in units of ${}^1\text{ACLK}$ s (where ${}^1\text{ACLK}$ is $2 \times {}^1\text{PIXCLK}$).

$${}^1\text{EXP} = \text{SW} \times \text{tROW} - \text{SO} \times 2 \times \text{tPIXCLK}$$

where:

$$\text{SW} = \max(1, (2 \times 16 \times \text{Shutter_Width_Upper}) + \text{Shutter_Width_Lower})$$

$$\text{SO} = 208 \times (\text{Row_Bin} + 1) + 98 + \min(\text{SD}, \text{SDmax}) - 94$$

$$\text{SD} = \text{Shutter_Delay} + 1$$

$$\text{SDmax} = 1232; \text{ if } \text{SW} < 3 \\ 1504, \text{ otherwise}$$

The exposure time is calculated by determining the reset time of each pixel row (with time 0 being the start of the first row time), and subtracting it from the sample time. Under normal conditions in ERS modes, every pixel should end up with the same exposure time. In global shutter release modes, or in row binning modes, the exposure times of individual pixels can vary.

In global shutter release modes (described later) exposure time starts simultaneously for all rows, but still ends as defined above. In a real system, the exposure would be stopped by a mechanical shutter, which would effectively stop the exposure to all rows simultaneously. Because this specification does not consider the effect of an external shutter, each output row's exposure time will differ by ${}^1\text{ROW}$ from the previous row.

Global shutter modes also introduce a constant added to the shutter time for each row, because the exposure starts during the global shutter sequence, and not during any row's shutter sequence. For each additional row in a row bin, this offset will increase by the length of the shutter sequence.

In Bulb_Exposure modes (also detailed later), the exposure time is determined by the width of the TRIGGER pulse rather than the shutter width registers. In ERS bulb mode, it is still a multiple of row times, and the shutter overhead equation still applies. In GRR bulb mode, the exposure time is granular to ${}^1\text{ACLK}$ s, and shutter overhead (and thus Shutter_Delay) has no effect.

Operating Modes

In the default operating mode, the MT9P401 continuously samples and outputs frames. It can be put in "snapshot" or triggered mode by setting snapshot, which means that it samples and outputs a frame only when triggered. To leave snapshot mode, it is necessary to first clear Snapshot then issue a restart.

When in snapshot mode, the sensor can use the ERS or the GRR. The exposure can be controlled as normal, with the Shutter_Width_Lower and Shutter_Width_Upper registers, or it can be controlled using the external TRIGGER signal. The various operating modes are summarized in Table 15.

Table 15. OPERATING MODE

Mode	Settings	Description
ERS Continuous	Default	Frames are output continuously at the frame rate defined by ${}^1\text{FRAME}$. ERS is used, and the exposure time is electronically controlled to be ${}^1\text{EXP}$
ERS Snapshot	Snapshot = 1	Frames are output one at a time, with each frame initiated by a trigger. ERS is used, and the exposure time is electronically controlled to be ${}^1\text{EXP}$
ERS Bulb	Snapshot = 1; Bulb_Exposure = 1	Frames are output one at a time, with each frame's exposure initiated by a trigger. ERS is used. End of exposure and readout are initiated by a second trigger
GRR Snapshot	Snapshot = 1; Global_Reset = 1	Frames are output one at a time, with each frame initiated by a trigger. GRR is used. Readout is electronically triggered based on SW
GRR Bulb	Snapshot = 1; Bulb_Exposure = 1; Global_Reset = 1	Frames are output one at a time, with each frame initiated by a trigger. GRR is used. Readout is initiated by a second trigger

1. In ERS bulb mode, SW must be greater than 4 (use trigger wider than ${}^1\text{ROW} \times 4$).

All operating modes share a common set of operations:

1. Wait for the first trigger, then start the exposure
2. Wait for the second trigger, then start the readout

The first trigger is by default automatic, producing continuous images. If snapshot is set, the first trigger can either be a low level on the TRIGGER pin or writing a "1" to the trigger register field. If Invert_Trigger is set, the first trigger is a high level on TRIGGER pin (or a "1" written to trigger register field). Because TRIGGER is level-sensitive, multiple frames can be output (with a frame rate of t_{FRAME}) by holding TRIGGER pin at the triggering level.

The second trigger is also normally automatic, and generally occurs SW row times after the exposure is started. If Bulb_Exposure is set, the second trigger can either be a high level on TRIGGER or a write to Restart. If

Invert_Trigger is set, the second trigger is a low level on TRIGGER (or a Restart). In bulb modes, the minimum possible exposure time depends on the mechanical shutter used.

After one frame has been output, the chip will reset step 1, above, eventually waiting for the first trigger again. The next trigger may be issued after $((VB - 8) \times t_{ROW})$ in ERS modes or $t_{ALLREST}$ in GRR modes.

The choice of shutter type is made by Global_Reset. If it is set, the GRR shutter is used; otherwise, ERS is used. The two shutters are described in "Electronic Rolling Shutter" and "Global Reset Release".

The default ERS continuous mode is shown in Figure 8. Figure 23 shows default signal timing for ERS snapshot modes, while Figure 24 shows default signal timing for GRR snapshot modes.

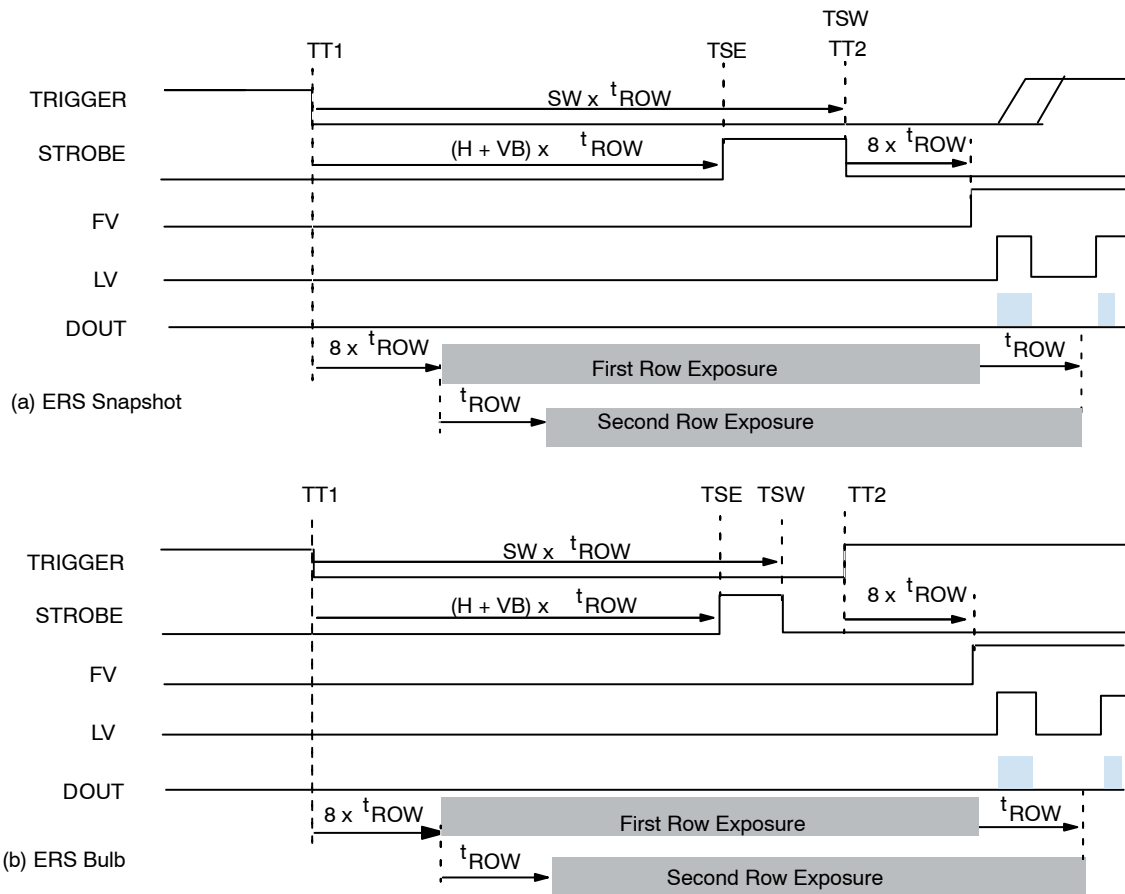


Figure 23. ERS Snapshot Timing

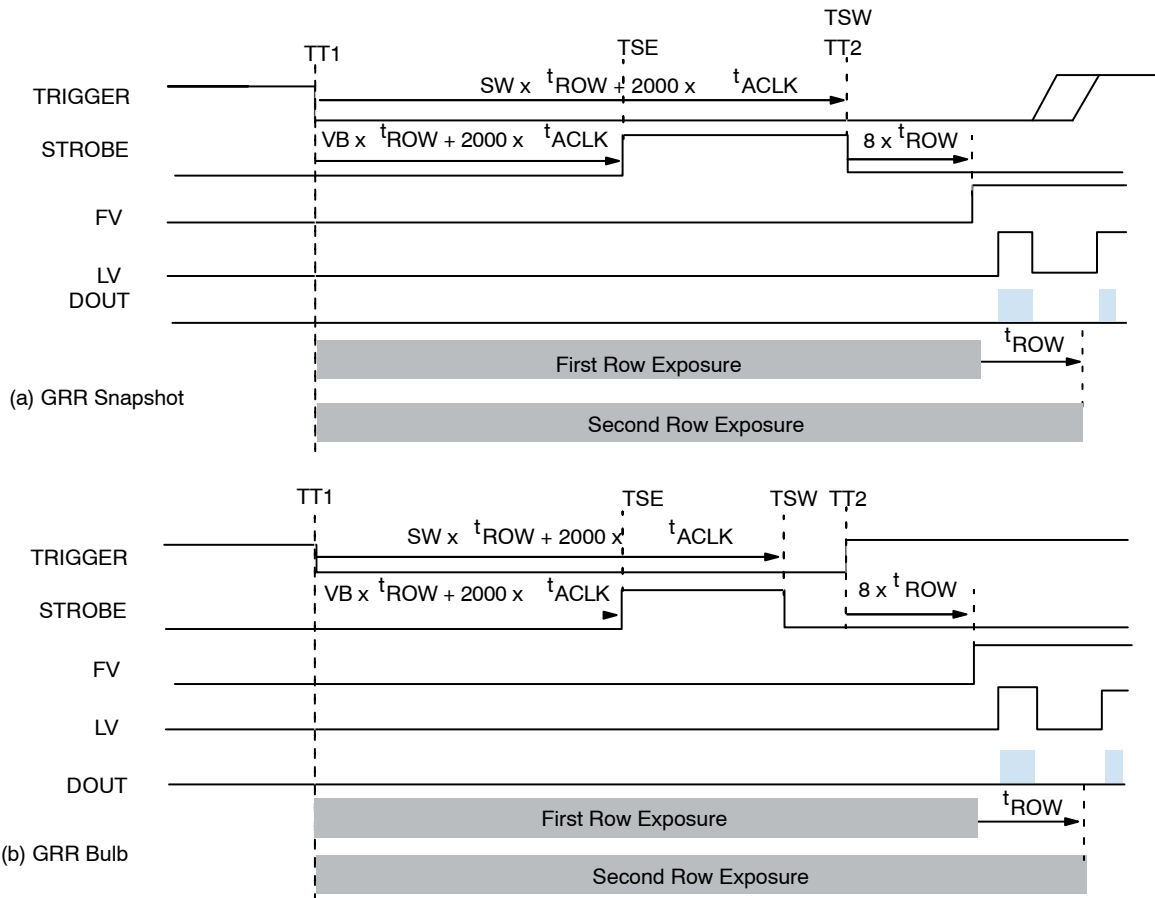


Figure 24. GRR Snapshot Timing

Strobe Control

To support synchronization of the exposure with external events such as a flash or mechanical shutter, the MT9P401 produces a STROBE output. By default, this signal is asserted for approximately the time that all rows are simultaneously exposing, minus the vertical blanking time,

as shown in Figure 23 and Figure 24. Also indicated in these figures are the leading and trailing edges of STROBE, which can be configured to occur at one of several timepoints. The leading edge of STROBE occurs at STROBE_Start, and the trailing edge at STROBE_End, which are set to codes described in Table 16.

Table 16. STROBE TIMEPOINTS

Symbol	Timepoint	Code
TT1	Trigger 1 (start of shutter scan)	–
TSE	Start of exposure (all rows simultaneously exposing) offset by VB)	1
TSW	End of shutter width (expiration of the internal shutter width counter)	2
TT2	Trigger 2 (start of readout scan)	3

If STROBE_Start and STROBE_End are set to the same timepoint, the strobe is a t_ROW wide pulse starting at the STROBE_Start timepoint. If the settings are such that the strobe would occur after the trailing edge of FV, the strobe may be only t_ACKL wide; however, because there is no concept of a row at that time. The sense of the STROBE signal can be inverted by setting Invert_Strobe (R0x1E[5] = 1. To use strobe as a flash in snapshot modes or with mechanical shutter, set the Strobe_Enable register bit field R0x1E[4] = 1.

Signal Chain and Datapath

The signal chain and datapath are shown in Figure 25. Each color is processed independently, including separate gain and offset settings. Voltages sampled from the pixel array are first passed through an analog gain stage, which can produce gain factors between 1 and 8. An analog offset is then applied, and the signal is sent through a 12-bit analog-to-digital converter. In the digital space, a digital gain factor of between 1 and 16 is applied, and then a digital

offset of between -2048 and 2047 is added. The resulting 12-bit pixel value is then output on the DOUT[11:0] ports.

The analog offset applied is determined automatically by the black level calibration algorithm, which attempts to shift

the output of the analog signal chain so that black is at a particular level. The digital offset is a fine-tuning of the analog offset.

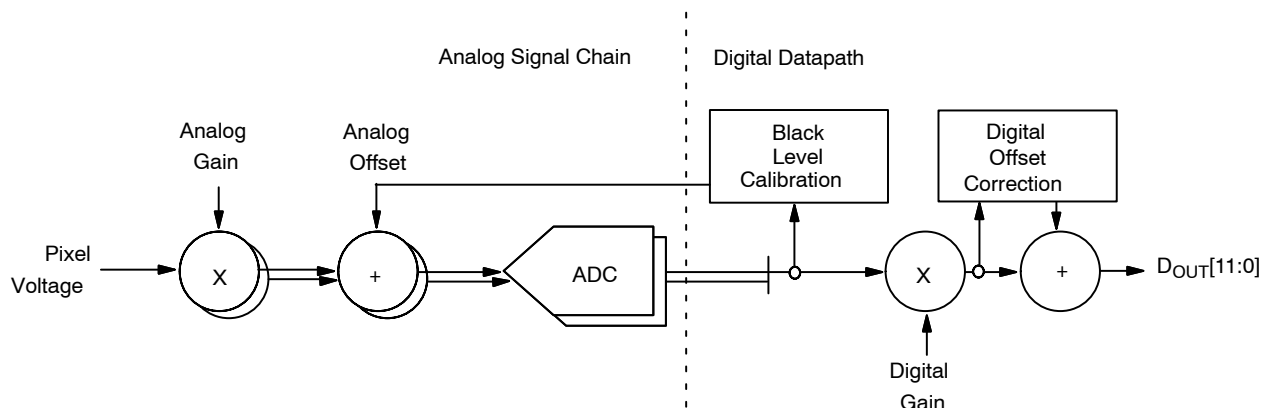


Figure 25. Signal path

Gain

There are two types of gain supported: analog gain and digital gain. Combined, gains of between 1 and 128 are

possible. The recommended gain settings are shown in Table 17.

Table 17. GAIN INCREMENT SETTINGS

Gain Range	Increments	Digital Gain	Analog Multiplier	Analog Gain
1-4	0.125	0	0	8-32
4.25-8	0.25	0	1	17-32
9-128	1	1-120	1	32

1. Analog gain should be maximized before applying digital gain

The combined gain for a color C is given by:

$$G_C = AG_C \times DG_C.$$

Analog Gain

The analog gain is specified independently for each color channel. There are two components, the gain and the multiplier. The gain is specified by Green1_Analog_Gain, Red_Analog_Gain, Blue_Analog_Gain, and Green2_Analog_Gain in steps of 0.125. The analog multiplier is specified by Green1_Analog_Multiplier, Red_Analog_Multiplier, Blue_Analog_Multiplier, and Green2_Analog_Multiplier. These combine to form the analog gain for a given color C as shown in this equation:

$$AG_C = (1 + C_Analog_Multiplier) \times (C_Analog_Gain / 8)$$

The gain component can range from 0 to 7.875 in steps of 0.125, and the multiplier component can be either 0 or 1 (resulting in a multiplier of 1 or 2). However, it is best to keep the “gain” component between 1 and 4 for the best noise performance, and use the multiplier for gains between 4 and 8.

Digital Gain

The digital gain is specified independently for each color channel in steps of 0.125. It is controlled by the register

fields Green1_Digital_Gain, Red_Digital_Gain, Blue_Digital_Gain, and Green2_Digital_Gain. The digital gain for a color C is given by:

$$DG_C = 1 + (C_Digital_Gain / 8)$$

Offset

The MT9P401 sensor can apply an offset or shift to the image data in a number of ways.

An analog offset can be applied on a color-wise basis to the pixel voltage as it enters the ADC. This makes it possible to adjust for offset introduced in the pixel sampling and gain stages to be removed, centering the resulting voltage swing in the ADC’s range. This offset can be automatically determined by the sensor using the automatic black level calibration (BLC) circuit, or it can be set manually by the user. It is a fairly coarse adjustment, with adjustment step sizes of 4 to 8 LSBs.

Digital offset is also added on a color-wise and line-wise basis to fine tune the black level of the output image. This offset is based on an average black level taken from each row’s dark columns, and is automatically determined by the digital row-wise black level calibration (RBLC) circuit. If

the RBLC circuit is not used, a user defined offset can be applied instead. This offset has a resolution of 1 LSB.

A digital offset is added on a color-wise basis to account for channel offsets that can be introduced due to “even” and “odd” pixels of the same color going through a slightly different ADC chain. This offset is automatically determined based on dark row data, but it can also be manually set.

Analog Black Level Calibration

The MT9P401 black level calibration circuitry provides a feedback control system since adjustments to the analog offset are imprecise by nature. The goal is that within the dark row region of any supported output image size, the offset should have been adjusted such that the average black level falls within the specified target thresholds.

The analog offsets normally need a major adjustment only when leaving the Reset state or when there has been a change to a color’s analog gain. Factors like shutter width and temperature have lower-order impact, and generally only require a minor adjustment to the analog offsets. The MT9P401 has various calibration modes to keep the system stable while still supporting the need for rapid offset adjustments when necessary.

The two basic steps of black level calibration are:

1. Take a sample
2. If necessary, adjust the analog offset

Black level calibration is normally done separately for each color channel, and different channels can be using different sample or adjustment methods at the same time. However, because both Green1 and Green2 pixels go through the same signal chain, and Red and Blue pixels likewise go through the same signal chain, it is expected that the chosen offset for these pairs should be the same as long as the gains are the same. If Lock_Green_Calibration is set, and (Green1_Analog_Gain = Green2_Analog_Gain) and (Green1_Analog_Multiplier = Green2_Analog_Multiplier), the calculated or user-specified Green1_Offset is used for both green channels. Similarly, if Lock_Red/Blue_Calibration is set, and (Red_Analog_Gain = Blue_Analog_Gain) and (Red_Analog_Multiplier = Blue_Analog_Multiplier), the calculated or user-specified Red_Offset is used for both the red and blue channels.

The current values of the offsets can be read from the Green1_Offset, Red_Offset, Blue_Offset, and Green2_Offset registers. Writes to these registers when Manual_BLC is set change the offsets being used. In automatic BLC mode, writes to these registers are effective when manual mode is re-entered. In Manual_BLC mode, no sampling or adjusting takes place for any color.

Digital Black Level Calibration

Digital black level calibration is the final calculation applied to pixel data before it is output. It provides a precise black level to complement the coarser-grained analog black level calibration, and also corrects for black level shift

introduced by digital gain. This correction applies to the active columns for all rows, including dark rows.

Test Patterns

The MT9P401 has the capability of injecting a number of test patterns into the top of the datapath to debug the digital logic. With one of the test patterns activated, any of the datapath functions can be enabled to exercise it in a deterministic fashion. Test patterns are enabled when Enable_Test_Pattern is set. Only one of the test patterns can be enabled at a given point in time by setting the Test_Pattern_Mode register according to Table 18. When test patterns are enabled the active area will receive the value specified by the selected test pattern and the dark pixels will receive the value in Test_Pattern_Green for green pixels, Test_Pattern_Blue for blue pixels, and Test_Pattern_Red for red pixels.

Table 18. TEST PATTERN MODES

Test_Pattern_Mode	Test Pattern Output
0	Color field (normal operation)
1	Horizontal gradient
2	Vertical gradient
3	Diagonal gradient
4	Classic test pattern
5	Walking 1s
6	Monochrome horizontal bars
7	Monochrome vertical bars
8	Vertical color bars

Classic Test Pattern

When selected, a value from Test_Data will be sent through the digital pipeline instead of sampled data from the sensor. The value will alternate between Test_Data for even and odd columns.

Color Field

When selected, the value for each pixel is determined by its color. Green pixels will receive the value in Test_Pattern_Green, red pixels will receive the value in Test_Pattern_Red, and blue pixels will receive the value in Test_Pattern_Blue.

Vertical Color Bars

When selected, a typical color bar pattern will be sent through the digital pipeline.

Horizontal Gradient

When selected, a horizontal gradient will be produced based on a counter which increments on every active pixel.

Vertical Gradient

When selected, a vertical gradient will be produced based on a counter which increments on every active row.

Diagonal Gradient

When selected, a diagonal gradient will be produced based on the counter used by the horizontal and vertical gradients.

Walking 1s

When selected, a walking 1s pattern will be sent through the digital pipeline. The first value in each row is 1.

Monochrome Vertical Bars

When selected, vertical monochrome bars will be sent through the digital pipeline. The width of each bar can be set

in Test_Pattern_Bar_Width and the intensity of each bar is set by Test_Pattern_Green for even bars and Test_Pattern_Blue for odd bars.

Monochrome Horizontal Bars

When selected, horizontal monochrome bars will be sent through the digital pipeline. The width of each bar can be set in Test_Pattern_Bar_Width and the intensity of each bar is set by Test_Pattern_Green for even bars and Test_Pattern_Blue for odd bars.

SPECTRAL CHARACTERISTICS

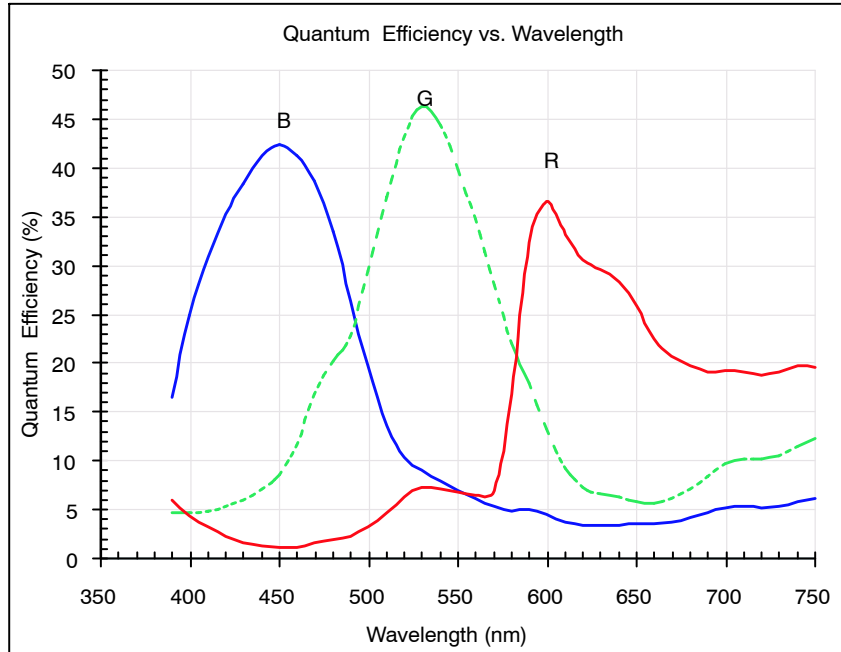


Figure 26. Typical Spectral Characteristics

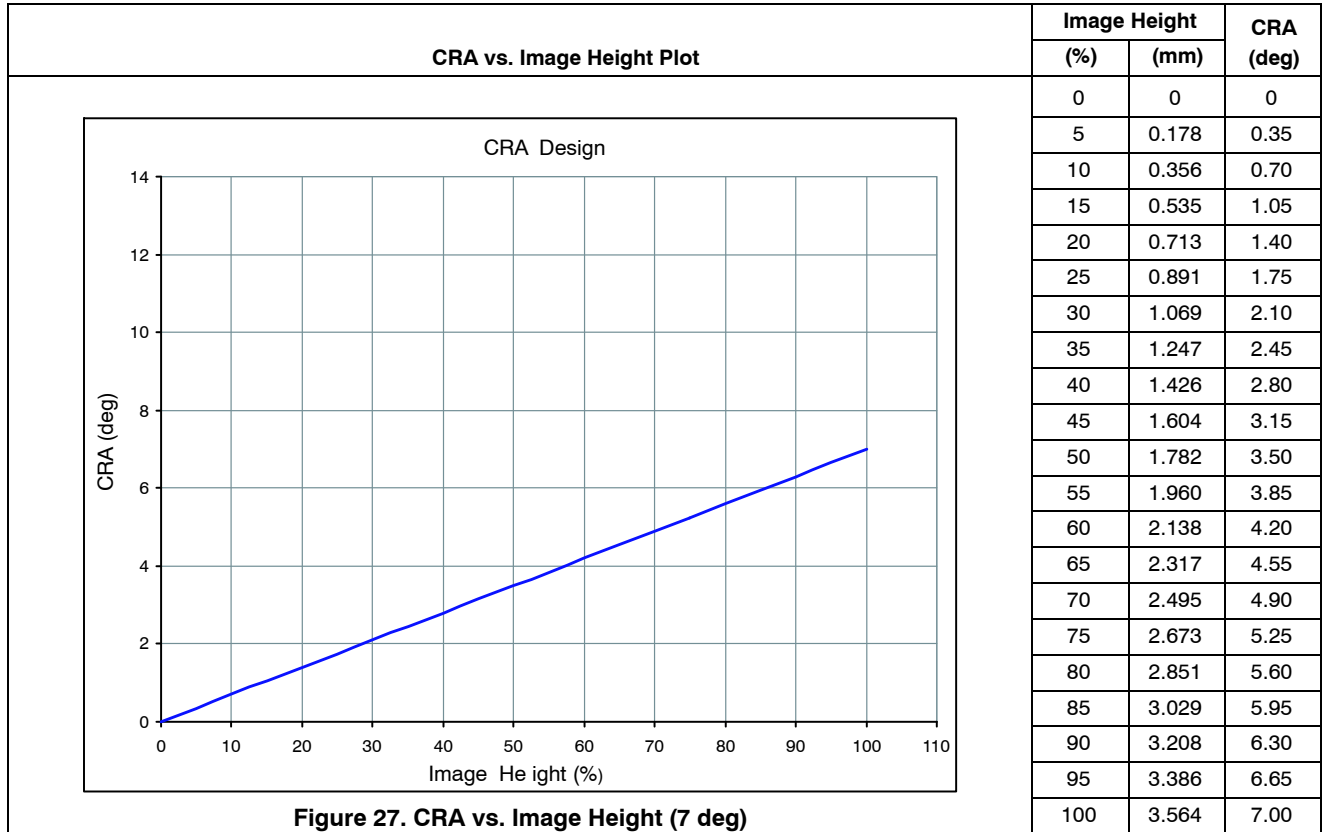
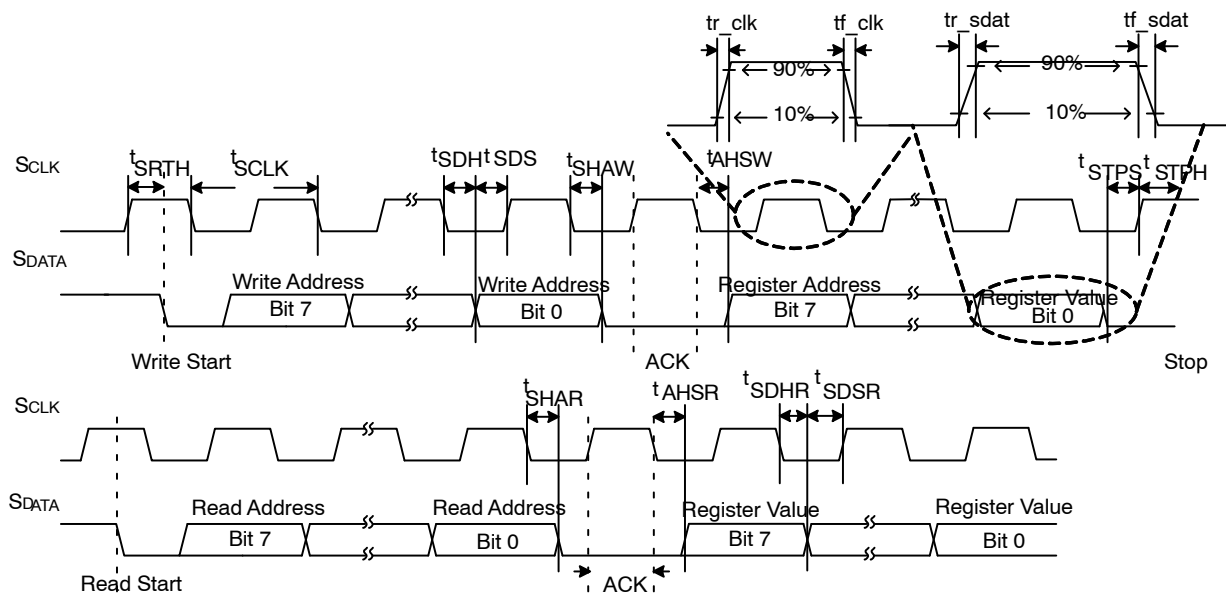


Figure 27. CRA vs. Image Height (7 deg)

Electrical Specifications

Two-Wire Serial Register Interface

The electrical characteristics of the two-wire serial register interface (SCLK, SDATA) are shown in Figure 28 and Table 19.



NOTE: Read sequence: For an 8-bit READ, read waveforms start after WRITE command and register address are issued.

Figure 28. Two-Wire Serial Bus Timing Parameters

Table 19. TWO-WIRE SERIAL BUS CHARACTERISTICS

Symbol	Definition	Condition	Min	Typ	Max	Unit
f _{SCLK}	Serial Interface Input Clock Frequency	–	–	–	400	kHz
t _{SCLK}	Serial Input Clock Period	–	–	–	2.5	μs
	SCLK Duty Cycle	–	40	50	60	%
tr_sclk	SCLK Rise Time		–	34	–	ns
tf_sclk	SCLK Fall Time		–	8	–	ns
tr_sdat	SDATA Rise Time		–	34	–	ns
tf_sdat	SDATA Fall Time		–	10	–	ns
t _{SRTH}	Start Hold Time	WRITE/READ	0	10	28	ns
t _{SDH}	SDATA Hold	WRITE	0	0	0	ns
t _{SDS}	SDATA Setup	WRITE	0	19.9	59.9	ns
t _{SHAW}	SDATA Hold to ACK	WRITE	279	281	300	ns
t _{AHSW}	ACK Hold to SDATA	WRITE	279	281	300	ns
t _{STPS}	Stop Setup Time	WRITE/READ	0	0	0	ns
t _{STPH}	Stop Hold Time	WRITE/READ	0	0	0	ns
t _{SHAR}	SDATA Hold to ACK	READ	279	284	300	ns
t _{AHSR}	ACK Hold to SDATA	READ	279	284	300	ns
t _{SDHR}	SDATA Hold	READ	0	0	0	ns
t _{SDSR}	SDATA Setup	READ	0	19.9	59.9	ns
C _{IN_SI}	Serial Interface Input Pin Capacitance	–	–	3.5	–	pF
C _{LOAD_SD}	SDATA Max Load Capacitance	–	–	15	–	pF
R _{SD}	SDATA Pull-up Resistor	–	–	1.5	–	kΩ

I/O Timing

By default, the MT9P401 launches pixel data, FV and LV with the rising edge of PIXCLK. The expectation is that the user captures DOUT[11:0], FV and LV using the falling edge of PIXCLK.

See Figure 29 and Table 20 for I/O timing (AC) characteristics.

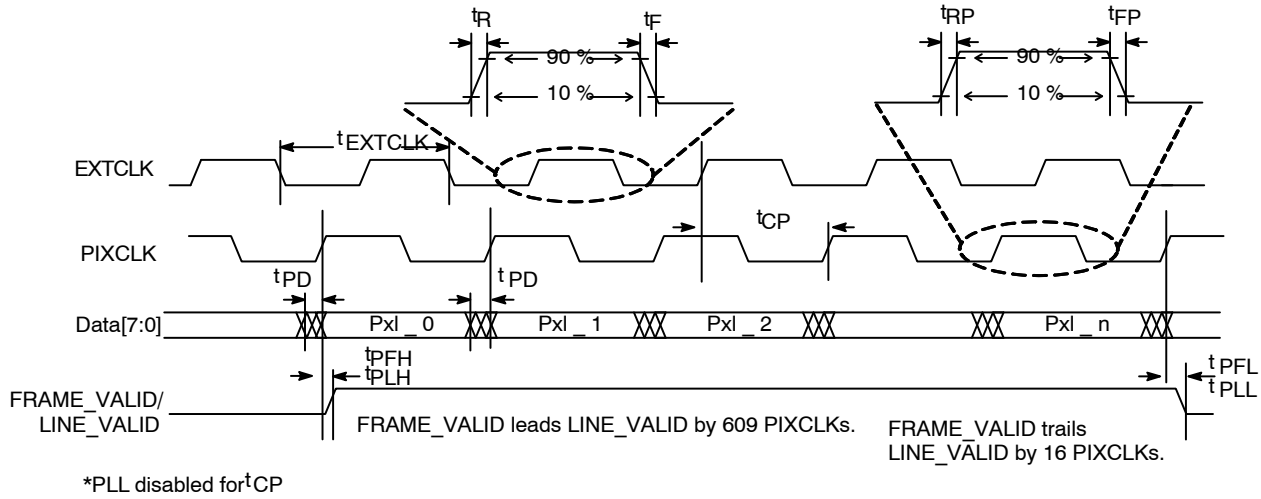


Figure 29. I/O Timing Diagram

Table 20. I/O TIMING CHARACTERISTICS

Symbol	Definition	Condition	Min	Typ	Max	Unit
$f_{EXTCLK1}$	Input Clock Frequency	PLL Enabled	6	–	27	MHz
$t_{EXTCLK1}$	Input Clock Period	PLL Enabled	166	–	37	ns
$f_{EXTCLK2}$	Input Clock Frequency	PLL Disabled	6	–	96	MHz
$t_{EXTCLK2}$	Input Clock Period	PLL Disabled	125	–	10.4	ns
t_R	Input Clock Rise Time		0.03	–	1	V/ns
t_F	Input Clock Fall Time		0.03	–	1	V/ns
t_{RP}	Pixclk Rise Time		0.03	–	1	V/ns
t_{FP}	Pixclk Fall Time		0.03	–	1	V/ns
	Clock Duty Cycle		40	50	60	%
$t_{(PIX\ JITTER)}$	Jitter on PIXCLK		–	–	1.03	ns
$t_{JITTER1}$	Input Clock Jitter 48 MHz		–	300	–	ps
$t_{JITTER2}$	Input Clock Jitter 96 MHz		–	220	–	ps
t_{CP}	EXTCLK to PIXCLK Propagation Delay	Nominal Voltages	11.5	17.7	19.1	ns
f_{PIXCLK}	PIXCLK Frequency	Default	6	–	96	MHz
t_{PD}	PIXCLK to Data Valid	Default	0.8	2.1	3.9	ns
t_{PFH}	PIXCLK to FV HIGH	Default	2.8	4.3	5.9	ns
t_{PLH}	PIXCLK to LV HIGH	Default	2.2	3.5	5.9	ns
t_{PFL}	PIXCLK to FV LOW	Default	2.4	4.2	5.9	ns
t_{PLL}	PIXCLK to LV LOW	Default	2.6	4.1	5.9	ns
CLOAD	Output Load Capacitance		–	<10	–	pF
CIN	Input Pin Capacitance		–	2.5	–	pF

DC ELECTRICAL CHARACTERISTICS

The DC electrical characteristics are shown in Table 21.

Table 21. DC ELECTRICAL CHARACTERISTICS

Symbol	Definition	Condition	Min	Typ	Max	Unit
VDD	Core Digital Voltage		1.7	1.8	1.9	V
VDD_IO	I/O Digital Voltage		1.7	1.8/2.8	3.1	V
VAA	Analog Voltage		2.6	2.8	3.1	V
VAA_PIX	Pixel Supply Voltage		2.6	2.8	3.1	V
VDD_PLL	PLL Supply Voltage		2.6	2.8	3.1	V
VIH	Input HIGH Voltage	VDD_IO = 2.8 V	2	–	3.3	V
		VDD_IO = 1.8 V	1.3	–	2.3	V
VIL	Input LOW Voltage	VDD_IO = 2.8 V	–0.3	–	0.8	V
		VDD_IO = 1.8 V	–0.3	–	0.5	V
IIN	Input Leakage Current	No pull-up resistor; VIN = VDD_IO or DGND	–	<10	–	μA
VOH	Output HIGH Voltage	VDD_IO = 1.8 V	1.3	–	1.82	V
		VDD_IO = 2.8 V	1.9	–	–	V
VOL	Output LOW Voltage	VDD_IO = 2.8 V	0.16	–	0.35	V
		VDD_IO = 2.8 V	–	–	0.6	V
IOH	Output HIGH Current	At specified VOH = VDD_IO – 400 mv at 1.7 V VDD_IO	8.9	–	22.3	mA
IoL	Output LOW Current	At specified VOL = 400 mv at 1.7 V VDD_IO	2.6	–	5.1	mA
IoZ	Tri-state Output Leakage Current	VIN = VDD_IO or GND	–	–	2	μA
IDD1	Digital Operating Current	Parallel mode 96 MHz full frame nominal voltage, PLL enabled	–	28	35	mA
IDD_IO1	I/O Digital Operating Current	Parallel mode 96 MHz full frame nominal voltage, PLL enabled	–	38.6	50	mA
IAA1	Analog Operating Current	Parallel mode 96 MHz full frame nominal voltage, PLL enabled	–	72	80	mA
IAA_PIX1	Pixel Supply Current	Parallel mode 96 MHz full frame nominal voltage, PLL enabled	–	2.4	6	mA
IDD_PLL1	PLL Supply Current	Parallel mode 96 MHz full frame nominal voltage, PLL enabled	–	5	6	mA
IDD2	Digital Operating Current	Parallel mode 96 MHz 4X binning nominal voltage, PLL enabled	–	15	35	mA
IDD_IO2	I/O Digital Operating Current	Parallel mode 96 MHz 4X binning nominal voltage, PLL enabled	–	6.4	50	mA
IAA2	Analog Operating Current	Parallel mode 96 MHz 4X binning nominal voltage, PLL enabled	–	69	80	mA
IAA_PIX2	Pixel Supply Current	Parallel mode 96 MHz 4X binning nominal voltage, PLL Enabled	–	3.4	6	mA
IDD_PLL2	PLL Supply Current	Parallel mode 96 MHz 4X binning nominal voltage, PLL enabled	–	5	6	mA
ISTBY1	Hard Standby Current PLL Enabled	EXTCLK enabled	–	<500	–	μA
ISTBY2	Hard Standby Current PLL Disabled	EXTCLK disabled	–	<50	–	μA
ISTBY3	Soft Standby Current PLL Enabled	EXTCLK enabled (PLL enabled)	–	<500	–	μA
ISTBY4	Soft Standby Current PLL Disabled	EXTCLK enabled (PLL disabled)	–	<500	–	μA

Product parametric performance is indicated in the Electrical Characteristics for the listed test conditions, unless otherwise noted. Product performance may not be indicated by the Electrical Characteristics if operated under different conditions.

Table 22. POWER CONSUMPTION

Mode	Full Resolution (15 fps)	4X Binning	Unit
Streaming	381	262	mW

CAUTION: Stresses greater than those listed in Table 23 may cause permanent damage to the device. This is a stress rating only, and functional operation of the device at these or any other conditions above those indicated in the operational sections of this specification is not implied.

Table 23. ABSOLUTE MAXIMUM RATINGS

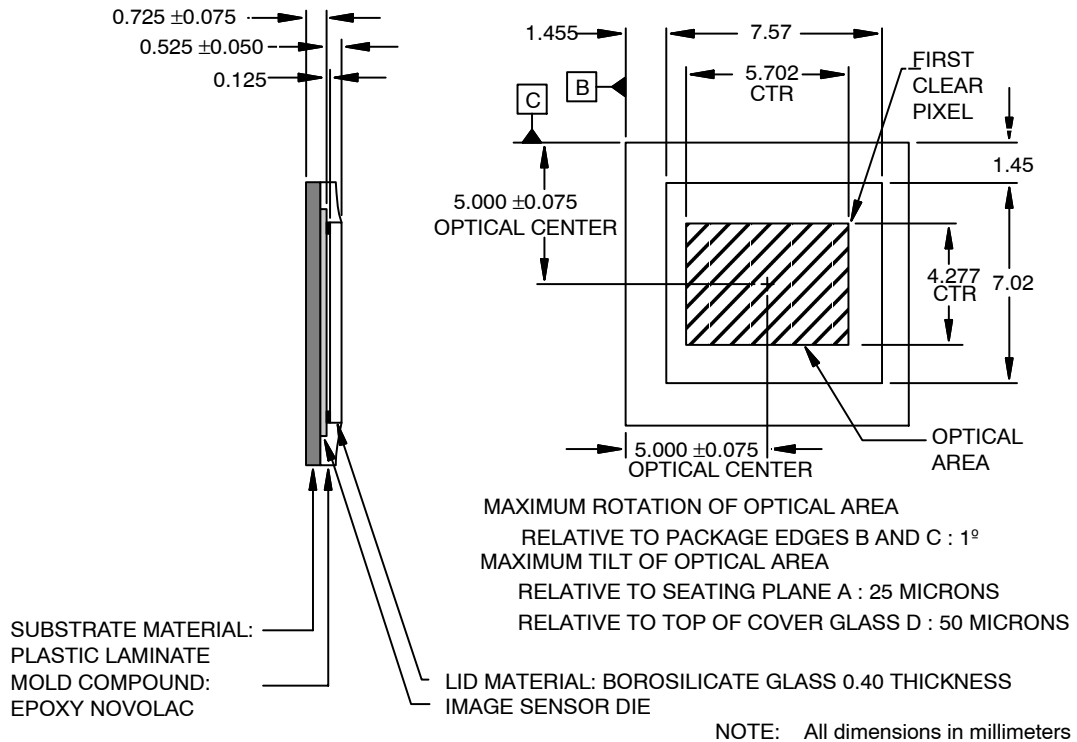
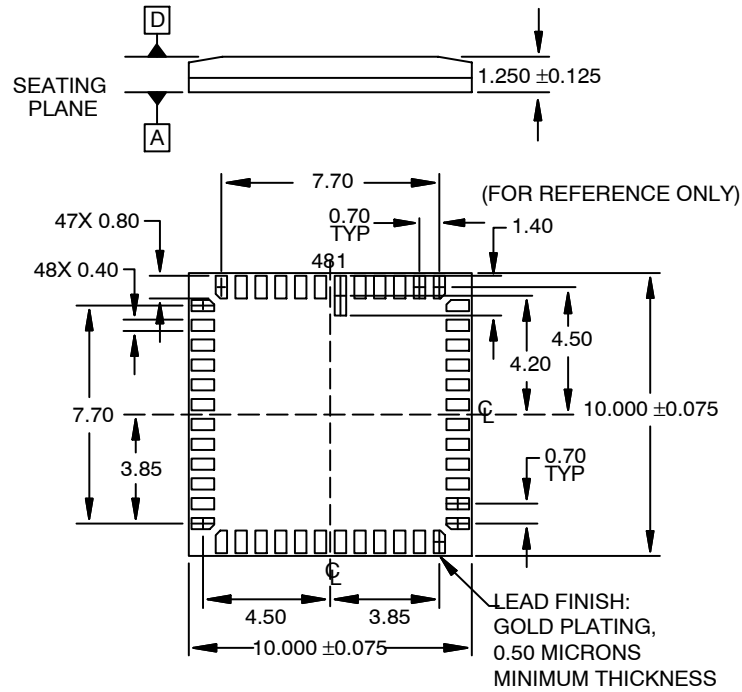
Symbol	Definition	Condition	Min	Max	Unit
V _{DD_MAX}	Core Digital Voltage		-0.3	1.9	V
V _{DD_IO_MAX}	I/O Digital Voltage		-0.3	3.1	V
V _{AA_MAX}	Analog Voltage		-0.3	3.1	V
V _{AA_PIX_MAX}	Pixel Supply Voltage		-0.3	3.1	V
V _{DD_PLL_MAX}	PLL Supply Voltage		-0.3	3.1	V
V _{IN_MAX}	Input Voltage		-0.3	3.4	V
I _{DD_MAX}	Digital Operating Current		-	35	mA
I _{DD_IO_MAX}	I/O Digital Operating Current		-	100	mA
I _{AA_MAX}	Analog Operating Current		-	95	mA
I _{AA_PIX_MAX}	Pixel Supply Current		-	6	mA
I _{DD_PLL_MAX}	PLL Supply Current		-	6	mA
T _{OP}	Operating Temperature	Measure at Junction	-30	70	°C
T _{ST}	Storage Temperature		-40	125	°C


Stresses exceeding those listed in the Maximum Ratings table may damage the device. If any of these limits are exceeded, device functionality should not be assumed, damage may occur and reliability may be affected.

1. Exposure to absolute maximum rating conditions for extended periods may affect reliability
2. To keep dark current and shot noise artifacts from impacting image quality, care should be taken to keep T_{OP} at a minimum

MT9P401

ILCC48 10x10
CASE 847AA
ISSUE O



ON Semiconductor and  are trademarks of Semiconductor Components Industries, LLC dba ON Semiconductor or its subsidiaries in the United States and/or other countries. ON Semiconductor owns the rights to a number of patents, trademarks, copyrights, trade secrets, and other intellectual property. A listing of ON Semiconductor's product/patent coverage may be accessed at www.onsemi.com/site/pdf/Patent-Marking.pdf. ON Semiconductor reserves the right to make changes without further notice to any products herein. ON Semiconductor makes no warranty, representation or guarantee regarding the suitability of its products for any particular purpose, nor does ON Semiconductor assume any liability arising out of the application or use of any product or circuit, and specifically disclaims any and all liability, including without limitation special, consequential or incidental damages. Buyer is responsible for its products and applications using ON Semiconductor products, including compliance with all laws, regulations and safety requirements or standards, regardless of any support or applications information provided by ON Semiconductor. "Typical" parameters which may be provided in ON Semiconductor data sheets and/or specifications can and do vary in different applications and actual performance may vary over time. All operating parameters, including "Typicals" must be validated for each customer application by customer's technical experts. ON Semiconductor does not convey any license under its patent rights nor the rights of others. ON Semiconductor products are not designed, intended, or authorized for use as a critical component in life support systems or any FDA Class 3 medical devices or medical devices with a same or similar classification in a foreign jurisdiction or any devices intended for implantation in the human body. Should Buyer purchase or use ON Semiconductor products for any such unintended or unauthorized application, Buyer shall indemnify and hold ON Semiconductor and its officers, employees, subsidiaries, affiliates, and distributors harmless against all claims, costs, damages, and expenses, and reasonable attorney fees arising out of, directly or indirectly, any claim of personal injury or death associated with such unintended or unauthorized use, even if such claim alleges that ON Semiconductor was negligent regarding the design or manufacture of the part. ON Semiconductor is an Equal Opportunity/Affirmative Action Employer. This literature is subject to all applicable copyright laws and is not for resale in any manner.

PUBLICATION ORDERING INFORMATION

LITERATURE FULFILLMENT:

Literature Distribution Center for ON Semiconductor
19521 E. 32nd Pkwy, Aurora, Colorado 80011 USA
Phone: 303-675-2175 or 800-344-3860 Toll Free USA/Canada
Fax: 303-675-2176 or 800-344-3867 Toll Free USA/Canada
Email: orderlit@onsemi.com

N. American Technical Support: 800-282-9855 Toll Free
USA/Canada
Europe, Middle East and Africa Technical Support:
Phone: 421 33 790 2910
Japan Customer Focus Center
Phone: 81-3-5817-1050

ON Semiconductor Website: www.onsemi.com

Order Literature: <http://www.onsemi.com/orderlit>

For additional information, please contact your local
Sales Representative

Looking for pricing, stock, or lifecycle information?

Click below to explore more details on WIN SOURCE:

 [View MT9P40112STC on WIN SOURCE](#)

 [ON Semiconductor](#) Information

Optimize Your Supply Chain with WIN SOURCE Solutions

-  Global Sourcing Solution
-  Obsolete Management
-  Cost Control Management
-  Shortage Management
-  Alternative Solution
-  Excess Inventory Management