



**THE DATASHEET OF  
MSP430F1471IRTDT**



## MSP430F14x, MSP430F14x1, MSP430F13x Mixed-Signal Microcontrollers

### 1 Device Overview

#### 1.1 Features

- Low Supply Voltage Range, 1.8 V to 3.6 V
- Ultra-Low Power Consumption:
  - Active Mode: 280  $\mu$ A at 1 MHz, 2.2 V
  - Standby Mode: 1.6  $\mu$ A
  - Off Mode (RAM Retention): 0.1  $\mu$ A
- Five Power-Saving Modes
- Wakeup From Standby Mode in Less Than 6  $\mu$ s
- 16-Bit RISC Architecture, 125-ns Instruction Cycle Time
- 12-Bit Analog-to-Digital Converter (ADC) With Internal Reference, Sample-and-Hold, and Autoscan Feature
- 16-Bit Timer\_B With Seven Capture/Compare-With-Shadow Registers
- 16-Bit Timer\_A With Three Capture/Compare Registers
- On-Chip Comparator
- Serial Onboard Programming, No External Programming Voltage Needed, Programmable Code Protection by Security Fuse
- Serial Communication Interface (USART), Functions as Asynchronous UART or Synchronous SPI Interface
  - Two USARTs (USART0, USART1) On MSP430F14x and MSP430F14x1 Devices
  - One USART (USART0) On MSP430F13x Devices
- Family Members (Also See [Device Comparison](#))
  - MSP430F133
    - 8KB + 256 Bytes of Flash Memory, 256 Bytes of RAM
  - MSP430F135
    - 16KB + 256 Bytes of Flash Memory, 512 Bytes of RAM
  - MSP430F147, MSP430F1471
    - 32KB + 256 Bytes of Flash Memory, 1KB of RAM
  - MSP430F148, MSP430F1481
    - 48KB + 256 Bytes of Flash Memory, 2KB of RAM
  - MSP430F149, MSP430F1491
    - 60KB + 256 Bytes of Flash Memory, 2KB of RAM

#### 1.2 Applications

- Sensor Systems
- Industrial Controls
- Hand-Held Meters

#### 1.3 Description

The Texas Instruments MSP430™ family of ultra-low-power microcontrollers (MCUs) consist of several devices featuring different sets of peripherals targeted for various applications. The architecture, combined with five low-power modes is optimized to achieve extended battery life in portable measurement applications. The device features a powerful 16-bit RISC CPU, 16-bit registers, and constant generators that attribute to maximum code efficiency. The digitally controlled oscillator (DCO) allows wake-up from low-power modes to active mode in less than 6  $\mu$ s.

The MSP430F13x, MSP430F14x, and MSP430F14x1 MCUs support two built-in 16-bit timers, a fast 12-bit ADC on the MSP430F13x and the MSP430F14x devices, one USART on the MSP430F13x devices or two USARTs on the MSP430F14x and MSP430F14x1 devices, and 48 I/O pins. The hardware multiplier enhances the performance and offers a broad code and hardware-compatible family solution.

For complete module descriptions, see the [MSP430x1xx Family User's Guide](#).



Device Information<sup>(1)</sup>

| PART NUMBER     | PACKAGE   | BODY SIZE <sup>(2)</sup> |
|-----------------|-----------|--------------------------|
| MSP430F149IPM   | LQFP (64) | 10 mm x 10 mm            |
| MSP430F149IPAG  | TQFP (64) | 10 mm x 10 mm            |
| MSP430F1491IRTD | VQFN (64) | 9 mm x 9 mm              |

- (1) For the most current device, package, and ordering information, see the *Package Option Addendum* in Section 8, or see the TI website at [www.ti.com](http://www.ti.com).
- (2) The sizes shown here are approximations. For the package dimensions with tolerances, see the *Mechanical Data* in Section 8.

1.4 Functional Block Diagrams

Figure 1-1 shows the functional block diagram for the MSP430F13x MCUs.

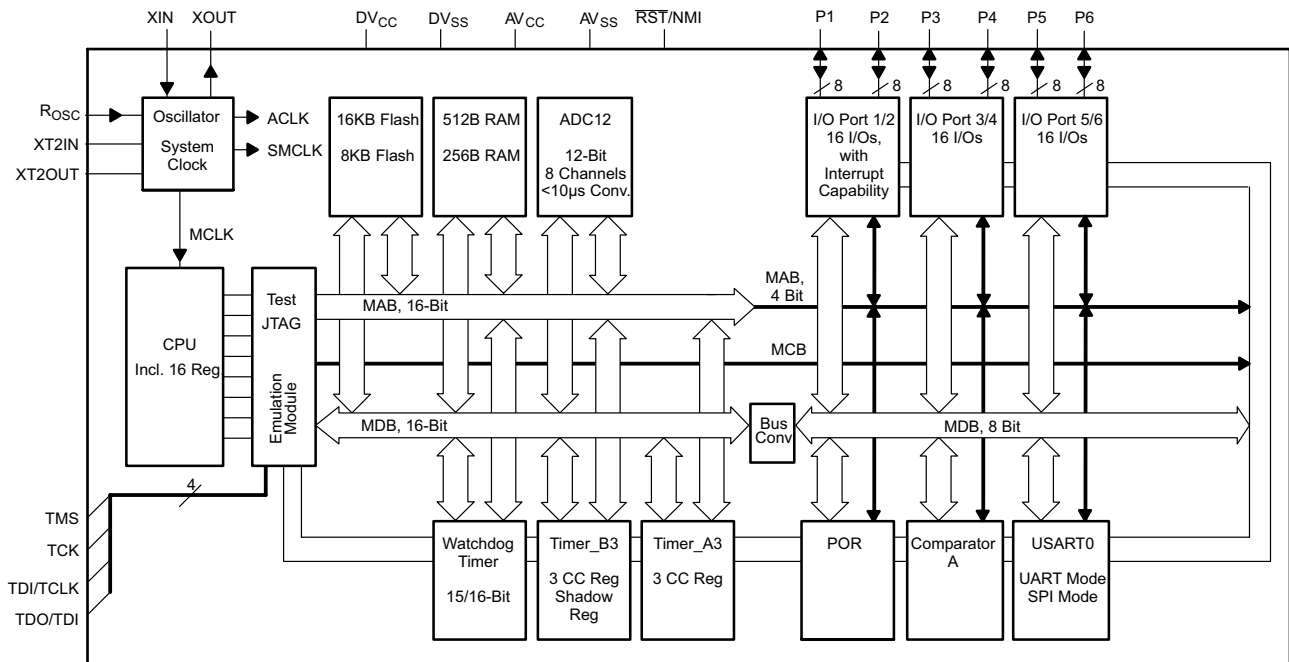


Figure 1-1. Functional Block Diagram, MSP430F13x

Figure 1-2 shows the functional block diagram for the MSP430F14x MCUs.

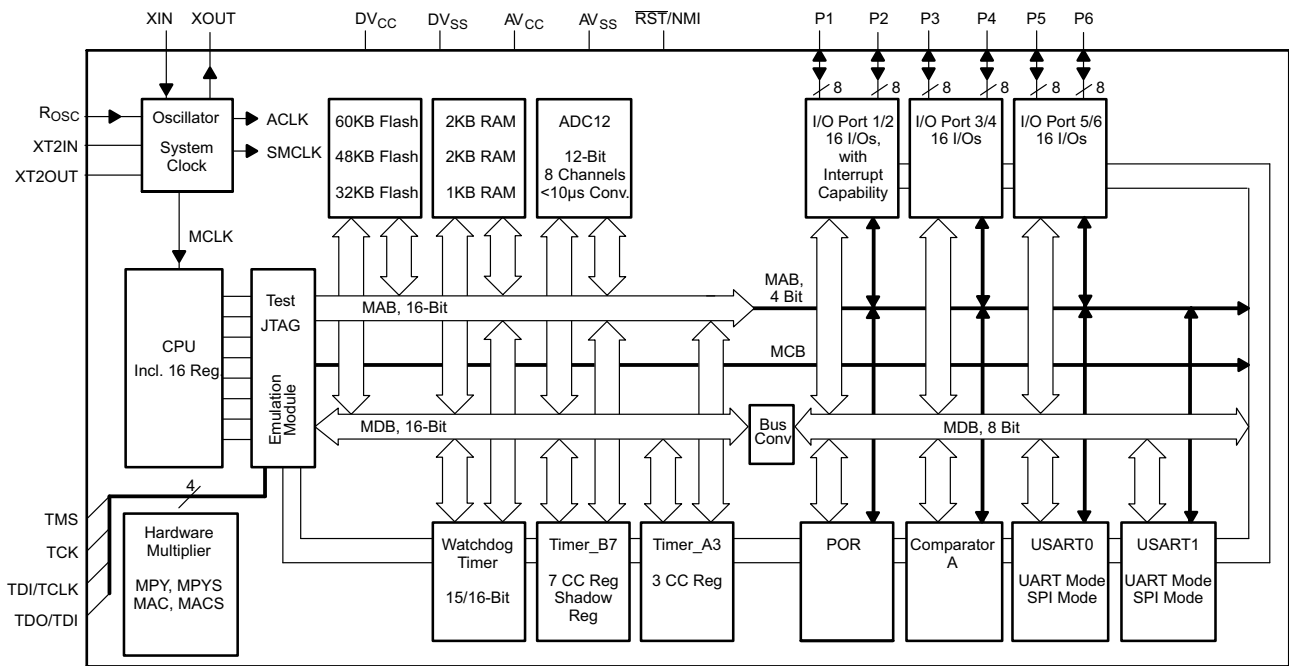


Figure 1-2. Functional Block Diagram, MSP430F14x

Figure 1-3 shows the functional block diagram for the MSP430F14x1 MCUs.

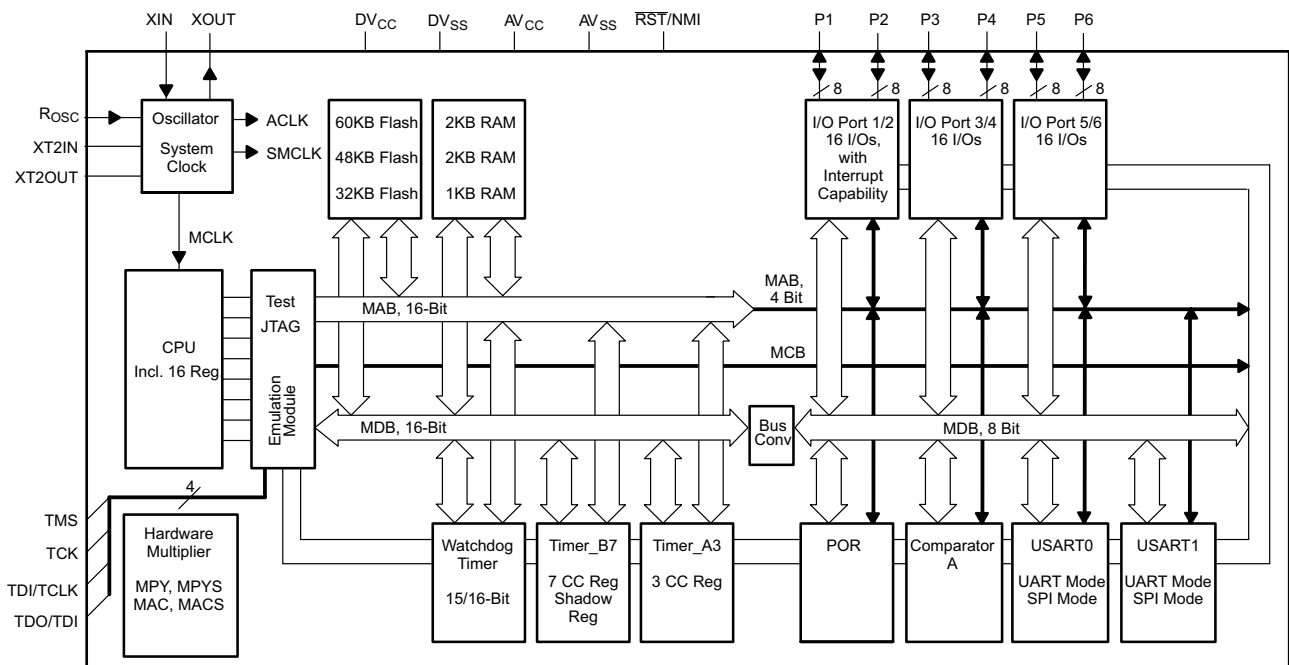


Figure 1-3. Functional Block Diagram, MSP430F14x1

## Table of Contents

|          |   |                           |          |   |                           |
|----------|---|---------------------------|----------|---|---------------------------|
| <b>1</b> | <b>Device Overview</b>  | <b><a href="#">1</a></b>  | 5.21     | Crystal Oscillator, XT2                                 | <a href="#">26</a>        |
| 1.1      | Features  | <a href="#">1</a>         | 5.22     | USART0, USART1  | <a href="#">26</a>        |
| 1.2      | Applications  | <a href="#">1</a>         | 5.23     | 12-Bit ADC, Power Supply and Input Range Conditions     | <a href="#">27</a>        |
| 1.3      | Description   | <a href="#">1</a>         | 5.24     | 12-Bit ADC, External Reference                          | <a href="#">27</a>        |
| 1.4      | Functional Block Diagrams   | <a href="#">2</a>         | 5.25     | 12-Bit ADC, Built-In Reference                          | <a href="#">28</a>        |
| <b>2</b> | <b>Revision History</b>   | <b><a href="#">5</a></b>  | 5.26     | 12-Bit ADC, Timing Parameters                           | <a href="#">30</a>        |
| <b>3</b> | <b>Device Comparison</b>  | <b><a href="#">6</a></b>  | 5.27     | 12-Bit ADC, Linearity Parameters                        | <a href="#">30</a>        |
| 3.1      | Related Products  | <a href="#">6</a>         | 5.28     | 12-Bit ADC, Temperature Sensor and Built-In $V_{MID}$   | <a href="#">31</a>        |
| <b>4</b> | <b>Terminal Configuration and Functions</b>                                 | <b><a href="#">7</a></b>  | 5.29     | Flash Memory  | <a href="#">31</a>        |
| 4.1      | Pin Diagrams  | <a href="#">7</a>         | 5.30     | JTAG Interface  | <a href="#">32</a>        |
| 4.2      | Signal Descriptions   | <a href="#">10</a>        | 5.31     | JTAG Fuse   | <a href="#">32</a>        |
| <b>5</b> | <b>Specifications</b>   | <b><a href="#">16</a></b> | <b>6</b> | <b>Detailed Description</b>                             | <b><a href="#">33</a></b> |
| 5.1      | Absolute Maximum Ratings  | <a href="#">16</a>        | 6.1      | CPU   | <a href="#">33</a>        |
| 5.2      | ESD Ratings   | <a href="#">16</a>        | 6.2      | Instruction set   | <a href="#">34</a>        |
| 5.3      | Recommended Operating Conditions  | <a href="#">16</a>        | 6.3      | Operating Modes   | <a href="#">34</a>        |
| 5.4      | Supply Current Into $AV_{CC}$ and $DV_{CC}$ Excluding External Current      | <a href="#">17</a>        | 6.4      | Interrupt Vector Addresses                              | <a href="#">35</a>        |
| 5.5      | Thermal Resistance Characteristics  | <a href="#">18</a>        | 6.5      | Bootloader (BSL)  | <a href="#">35</a>        |
| 5.6      | Schmitt-Trigger Inputs – Ports P1, P2, P3, P4, P5, and P6                   | <a href="#">18</a>        | 6.6      | JTAG Fuse Check Mode                                    | <a href="#">36</a>        |
| 5.7      | Standard Inputs – $\overline{RST}/NMI$ , JTAG (TCK, TMS, TDI/TCLK, TDO/TDI) | <a href="#">18</a>        | 6.7      | Memory  | <a href="#">36</a>        |
| 5.8      | Inputs – Px.y, TAx, TBx   | <a href="#">18</a>        | 6.8      | Peripherals   | <a href="#">40</a>        |
| 5.9      | Leakage Current   | <a href="#">19</a>        | 6.9      | Input/Output Diagrams                                   | <a href="#">48</a>        |
| 5.10     | Outputs – Ports P1, P2, P3, P4, P5, and P6                                  | <a href="#">19</a>        | <b>7</b> | <b>Device and Documentation Support</b>                 | <b><a href="#">59</a></b> |
| 5.11     | Output Frequency  | <a href="#">19</a>        | 7.1      | Getting Started and Next Steps                          | <a href="#">59</a>        |
| 5.12     | Typical Characteristics – Ports P1, P2, P3, P4, P5, and P6 Outputs          | <a href="#">20</a>        | 7.2      | Device Nomenclature                                     | <a href="#">59</a>        |
| 5.13     | Wake-up Time From LPM3  | <a href="#">21</a>        | 7.3      | Tools and Software                                      | <a href="#">61</a>        |
| 5.14     | RAM   | <a href="#">21</a>        | 7.4      | Documentation Support                                   | <a href="#">62</a>        |
| 5.15     | Comparator_A  | <a href="#">21</a>        | 7.5      | Related Links   | <a href="#">63</a>        |
| 5.16     | Typical Characteristics – Comparator_A                                      | <a href="#">22</a>        | 7.6      | Community Resources                                     | <a href="#">63</a>        |
| 5.17     | PUC and POR   | <a href="#">23</a>        | 7.7      | Trademarks  | <a href="#">63</a>        |
| 5.18     | DCO Frequency   | <a href="#">24</a>        | 7.8      | Electrostatic Discharge Caution                         | <a href="#">64</a>        |
| 5.19     | DCO When Using $R_{OSC}$  | <a href="#">25</a>        | 7.9      | Export Control Notice                                   | <a href="#">64</a>        |
| 5.20     | Crystal Oscillator, LFXT1   | <a href="#">26</a>        | 7.10     | Glossary  | <a href="#">64</a>        |
|          |   |                           | <b>8</b> | <b>Mechanical, Packaging, and Orderable Information</b> | <b><a href="#">65</a></b> |

## 2 Revision History

NOTE: Page numbers for previous revisions may differ from page numbers in the current version.

| Changes from February 12, 2009 to May 23, 2018  | Page               |
|---|--------------------|
| • Document format and organization changes throughout .....   | <a href="#">1</a>  |
| • Added <a href="#">Section 1.2, Applications</a> .....   | <a href="#">1</a>  |
| • Added <a href="#">Section 3, Device Comparison</a> .....  | <a href="#">6</a>  |
| • Added <a href="#">Section 5.2, ESD Ratings</a> .....  | <a href="#">16</a> |
| • Removed note (2) with duplicate information from the $f_{L\text{FXT}1}$ parameter in <a href="#">Section 5.3, Recommended Operating Conditions</a> .....  | <a href="#">16</a> |
| • Removed duplicate conditions "XTS = 0, SELM = 0 or 1" from the second row of Test Conditions on the $I_{(AM)}$ parameter in <a href="#">Section 5.4, Supply Current Into <math>AV_{CC}</math> and <math>DV_{CC}</math> Excluding External Current</a> ..... | <a href="#">17</a> |
| • Added <a href="#">Section 5.5, Thermal Resistance Characteristics</a> .....   | <a href="#">18</a> |
| • Removed ADC12DIV from the equation in the TYP value of the $t_{\text{CONVERT}}$ parameter (because ADC12CLK is after division) in <a href="#">Section 5.26, 12-Bit ADC, Timing Parameters</a> .....   | <a href="#">30</a> |
| • Changed all instances of <i>bootstrap loader</i> to <i>bootloader</i> throughout document.....  | <a href="#">35</a> |
| • Added <a href="#">Section 7, Device and Documentation Support</a> .....   | <a href="#">59</a> |

### 3 Device Comparison

Table 3-1 summarizes the features of the device variants in this data sheet.

**Table 3-1. Device Comparison<sup>(1)(2)</sup>**

| Device      | Flash | SRAM      | Timer_A <sup>(3)</sup> | Timer_B <sup>(4)</sup> | USART | COMP_A | ADC12 (Channels) | I/Os | Package                               |
|-------------|-------|-----------|------------------------|------------------------|-------|--------|------------------|------|---------------------------------------|
| MSP430F149  | 60KB  | 2KB       | 3                      | 7                      | 2     | 1      | 8                | 48   | 64-pin PM<br>64-pin PAG<br>64-pin RTD |
| MSP430F1491 | 60KB  | 2KB       | 3                      | 7                      | 2     | 1      | 8                | 48   | 64-pin PM<br>64-pin RTD               |
| MSP430F148  | 48KB  | 2KB       | 3                      | 7                      | 2     | 1      | 8                | 48   | 64-pin PM<br>64-pin PAG<br>64-pin RTD |
| MSP430F1481 | 48KB  | 2KB       | 3                      | 7                      | 2     | 1      | 8                | 48   | 64-pin PM<br>64-pin RTD               |
| MSP430F147  | 32KB  | 1KB       | 3                      | 7                      | 2     | 1      | 8                | 48   | 64-pin PM<br>64-pin PAG<br>64-pin RTD |
| MSP430F1471 | 32KB  | 1KB       | 3                      | 7                      | 2     | 1      | 8                | 48   | 64-pin PM<br>64-pin RTD               |
| MSP430F135  | 16KB  | 512 bytes | 3                      | 3                      | 1     | 1      | 8                | 48   | 64-pin PM<br>64-pin PAG<br>64-pin RTD |
| MSP430F133  | 8KB   | 256 bytes | 3                      | 3                      | 1     | 1      | 8                | 48   | 64-pin PM<br>64-pin PAG<br>64-pin RTD |

- (1) For the most current package and ordering information, see the *Package Option Addendum* in [Section 8](#), or see the TI website at [www.ti.com](http://www.ti.com).
- (2) Package drawings, thermal data, and symbolization are available at [www.ti.com/packaging](http://www.ti.com/packaging).
- (3) Each number in the sequence represents an instantiation of Timer\_A with its associated number of capture/compare registers and PWM output generators available. For example, a number sequence of 3, 5 would represent two instantiations of Timer\_A, the first instantiation having 3 and the second instantiation having 5 capture/compare registers and PWM output generators, respectively.
- (4) Each number in the sequence represents an instantiation of Timer\_B with its associated number of capture/compare registers and PWM output generators available. For example, a number sequence of 3, 5 would represent two instantiations of Timer\_B, the first instantiation having 3 and the second instantiation having 5 capture/compare registers and PWM output generators, respectively.

#### 3.1 Related Products

For information about other devices in this family of products or related products, see the following links.

**TI 16-bit and 32-bit microcontrollers** High-performance, low-power solutions to enable the autonomous future

**Products for MSP430 ultra-low-power microcontrollers** One platform. One ecosystem. Endless possibilities.

**Products for other MSP430 microcontrollers** MCUs for metrology, monitoring, system control, and communications

**Companion Products for MSP430F149** Review products that are frequently purchased or used with this product.

**Reference Designs** The TI Designs Reference Design Library is a robust reference design library that spans analog, embedded processor, and connectivity. Created by TI experts to help you jump start your system design, all TI Designs include schematic or block diagrams, BOMs, and design files to speed your time to market.

## 4 Terminal Configuration and Functions

### 4.1 Pin Diagrams

Figure 4-1 shows the pinout for the MSP430F133 and MSP430F135 MCUs in the 64-pin PM, PAG, and RTD packages.

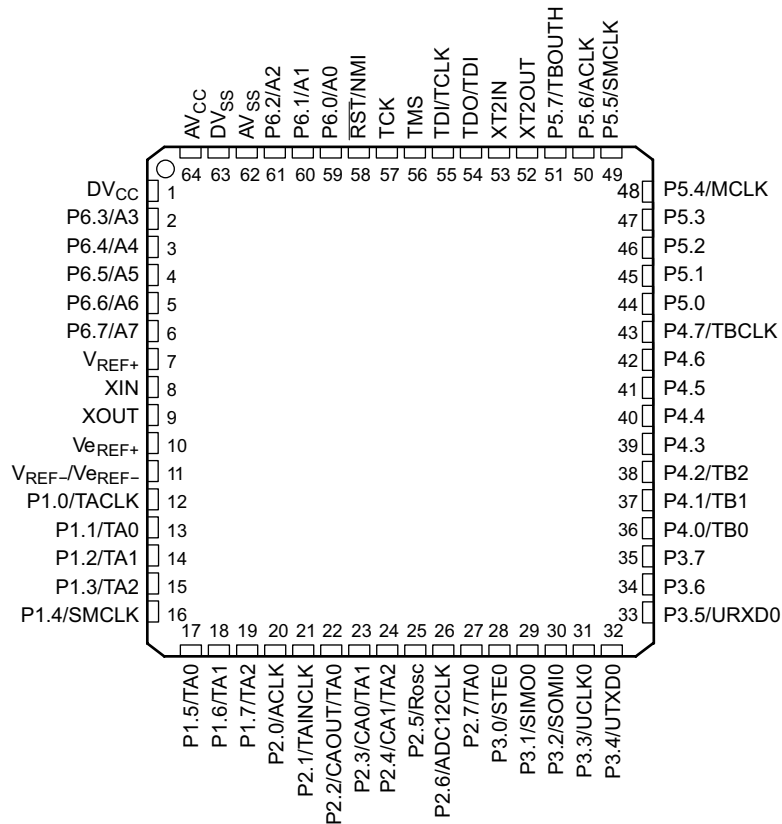


Figure 4-1. 64-Pin PM, PAG, or RTD Package (Top View) for MSP430F133 and MSP430F135

Figure 4-2 shows the pinout for the MSP430F147, MSP430F148, and MSP430F149 MCUs in the 64-pin PM, PAG, and RTD packages.

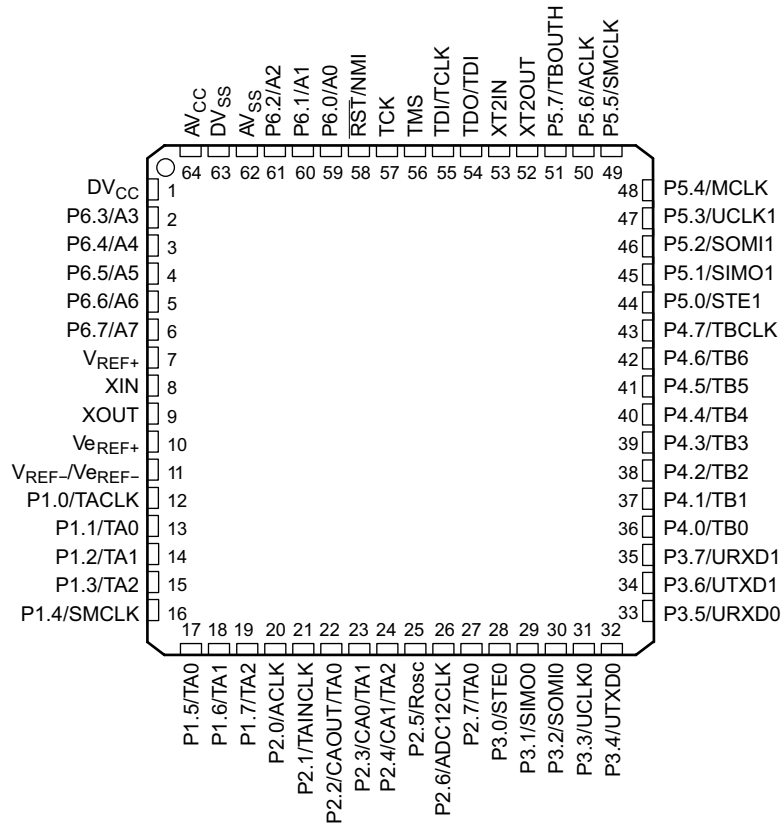


Figure 4-2. 64-Pin PM, PAG, or RTD Package (Top View) for MSP430F147, MSP430F148, and MSP430F149

Figure 4-3 shows the pinout for the MSP430F1471, MSP430F1481, and MSP430F1491 MCUs in the 64-pin PM and RTD packages.

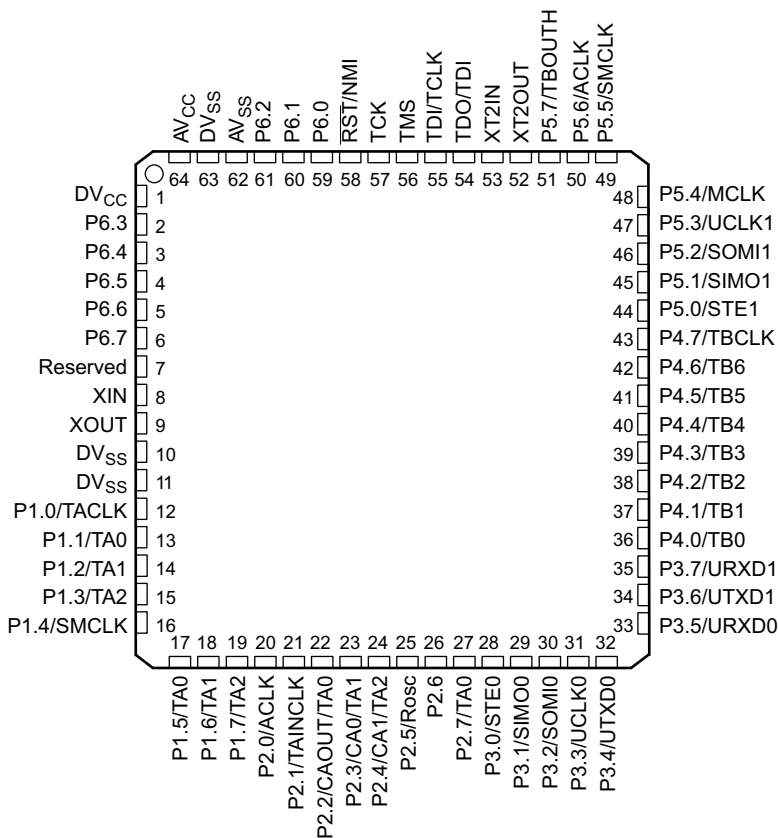


Figure 4-3. 64-Pin PM or RTD Package (Top View) for MSP430F1471, MSP430F1481, and MSP430F1491

## 4.2 Signal Descriptions

Table 4-1 describes the signals for the MSP430F13x and MSP430F14x MCUs. See Table 4-2 for the MSP430F14x1 signal descriptions.

**Table 4-1. Signal Descriptions for MSP430F13x and MSP430F14x**

| SIGNAL NAME           | PIN NO. | I/O | DESCRIPTION  |
|-----------------------|---------|-----|--|
| AV <sub>CC</sub>      | 64      |     | Analog supply voltage, positive terminal. Supplies the analog portion of the ADC.                      |
| AV <sub>SS</sub>      | 62      |     | Analog supply voltage, negative terminal. Supplies the analog portion of the ADC.                      |
| DV <sub>CC</sub>      | 1       |     | Digital supply voltage, positive terminal. Supplies all digital parts.                                 |
| DV <sub>SS</sub>      | 63      |     | Digital supply voltage, negative terminal. Supplies all digital parts.                                 |
| P1.0/TACLK            | 12      | I/O | General-purpose digital I/O pin<br>Timer_A, clock signal TACLK input                                   |
| P1.1/TA0              | 13      | I/O | General-purpose digital I/O pin<br>Timer_A, capture: CCI0A input, compare: Out0 output<br>BSL transmit |
| P1.2/TA1              | 14      | I/O | General-purpose digital I/O pin<br>Timer_A, capture: CCI0A input, compare: Out0 output<br>BSL transmit |
| P1.3/TA2              | 15      | I/O | General-purpose digital I/O pin<br>Timer_A, capture: CCI2A input, compare: Out2 output                 |
| P1.4/SMCLK            | 16      | I/O | General-purpose digital I/O pin<br>SMCLK signal output   |
| P1.5/TA0              | 17      | I/O | General-purpose digital I/O pin<br>Timer_A, compare: Out0 output                                       |
| P1.6/TA1              | 18      | I/O | General-purpose digital I/O pin<br>Timer_A, compare: Out1 output                                       |
| P1.7/TA2              | 19      | I/O | General-purpose digital I/O pin<br>Timer_A, compare: Out2 output/                                      |
| P2.0/ACLK             | 20      | I/O | General-purpose digital I/O pin<br>ACLK output   |
| P2.1/TAINCLK          | 21      | I/O | General-purpose digital I/O pin<br>Timer_A, clock signal at INCLK                                      |
| P2.2/CAOUT/TA0        | 22      | I/O | General-purpose digital I/O pin<br>Comparator_A output<br>Timer_A, capture: CCI0B input<br>BSL receive |
| P2.3/CA0/TA1          | 23      | I/O | General-purpose digital I/O pin<br>Timer_A, compare: Out1 output<br>Comparator_A input                 |
| P2.4/CA1/TA2          | 24      | I/O | General-purpose digital I/O pin<br>Timer_A, compare: Out2 output<br>Comparator_A input                 |
| P2.5/R <sub>osc</sub> | 25      | I/O | General-purpose digital I/O pin<br>input for external resistor defining the DCO nominal frequency      |
| P2.6/ADC12CLK         | 26      | I/O | General-purpose digital I/O pin<br>Conversion clock for ADC  |
| P2.7/TA0              | 27      | I/O | General-purpose digital I/O pin<br>Timer_A, compare: Out0 output                                       |
| P3.0/STE0             | 28      | I/O | General-purpose digital I/O pin<br>Slave transmit enable for USART0 in SPI mode                        |
| P3.1/SIMO0            | 29      | I/O | General-purpose digital I/O pin<br>Slave in/master out of USART0 in SPI mode                           |
| P3.2/SOMI0            | 30      | I/O | General-purpose digital I/O pin<br>Slave out/master in of USART0 in SPI mode                           |
| P3.3/UCLK0            | 31      | I/O | General-purpose digital I/O<br>USART0 clock: external input in UART or SPI mode, output in SPI mode    |
| P3.4/UTXD0            | 32      | I/O | General-purpose digital I/O pin<br>Transmit data out for USART0 in UART mode                           |

**Table 4-1. Signal Descriptions for MSP430F13x and MSP430F14x (continued)**

| SIGNAL NAME               | PIN NO. | I/O | DESCRIPTION  |
|---------------------------|---------|-----|--|
| P3.5/URXD0                | 33      | I/O | General-purpose digital I/O pin<br>Receive data in for USART0 in UART mode   |
| P3.6/UTXD1 <sup>(1)</sup> | 34      | I/O | General-purpose digital I/O pin<br>Transmit data out for USART1 in UART mode                                       |
| P3.7/URXD1 <sup>(1)</sup> | 35      | I/O | General-purpose digital I/O pin<br>Receive data in for USART1 in UART mode   |
| P4.0/TB0                  | .36     | I/O | General-purpose digital I/O pin<br>Timer_B, capture: CCI0A or CCI0B input, compare: Out0 output                    |
| P4.1/TB1                  | 37      | I/O | General-purpose digital I/O pin<br>Timer_B, capture: CCI1A or CCI1B input, compare: Out1 output                    |
| P4.2/TB2                  | 38      | I/O | General-purpose digital I/O pin<br>Timer_B, capture: CCI2A or CCI2B input, compare: Out2 output                    |
| P4.3/TB3 <sup>(1)</sup>   | 39      | I/O | General-purpose digital I/O pin<br>Timer_B, capture: CCI3A or CCI3B input, compare: Out3 output                    |
| P4.4/TB4 <sup>(1)</sup>   | 40      | I/O | General-purpose digital I/O pin<br>Timer_B, capture: CCI4A or CCI4B input, compare: Out4 output                    |
| P4.5/TB5 <sup>(1)</sup>   | 41      | I/O | General-purpose digital I/O pin<br>Timer_B, capture: CCI5A or CCI5B input, compare: Out5 output                    |
| P4.6/TB6 <sup>(1)</sup>   | 42      | I/O | General-purpose digital I/O pin<br>Timer_B, capture: CCI6A or CCI6B input, compare: Out6 output                    |
| P4.7/TBCLK                | 43      | I/O | General-purpose digital I/O pin<br>Timer_B, clock signal TBCLK input   |
| P5.0/STE1 <sup>(1)</sup>  | 44      | I/O | General-purpose digital I/O pin<br>Slave transmit enable for USART1 in SPI mode                                    |
| P5.1/SIMO1 <sup>(1)</sup> | 45      | I/O | General-purpose digital I/O pin<br>Slave in/master out of USART1 in SPI mode                                       |
| P5.2/SOMI1 <sup>(1)</sup> | 46      | I/O | General-purpose digital I/O pin<br>Slave out/master in of USART1 in SPI mode                                       |
| P5.3/UCLK1 <sup>(1)</sup> | 47      | I/O | General-purpose digital I/O pin<br>USART1 clock: external input in UART or SPI mode, output in SPI mode            |
| P5.4/MCLK                 | 48      | I/O | General-purpose digital I/O pin<br>Main system clock MCLK output   |
| P5.5/SMCLK                | 49      | I/O | General-purpose digital I/O pin<br>Submain system clock SMCLK output   |
| P5.6/ACLK                 | 50      | I/O | General-purpose digital I/O pin<br>Auxiliary clock ACLK output   |
| P5.7/TBOUTH               | 51      | I/O | General-purpose digital I/O pin<br>Switch all PWM digital output ports to high impedance for Timer_B7 (TB0 to TB6) |
| P6.0/A0                   | 59      | I/O | General-purpose digital I/O pin<br>Analog input A0 for ADC   |
| P6.1/A1                   | 60      | I/O | General-purpose digital I/O pin<br>Analog input A1 for ADC   |
| P6.2/A2                   | 61      | I/O | General-purpose digital I/O pin<br>Analog input A2 for ADC   |
| P6.3/A3                   | 2       | I/O | General-purpose digital I/O pin<br>Analog input A3 for ADC   |
| P6.4/A4                   | 3       | I/O | General-purpose digital I/O pin<br>Analog input A4 for ADC   |
| P6.5/A5                   | 4       | I/O | General-purpose digital I/O pin<br>Analog input A5 for ADC   |
| P6.6/A6                   | 5       | I/O | General-purpose digital I/O pin<br>Analog input A6 for ADC   |
| P6.7/A7                   | 6       | I/O | General-purpose digital I/O pin<br>Analog input A7 for ADC   |

(1) MSP430F14x devices only

**Table 4-1. Signal Descriptions for MSP430F13x and MSP430F14x (continued)**

| SIGNAL NAME                        | PIN NO. | I/O | DESCRIPTION   |
|------------------------------------|---------|-----|---|
| $\overline{\text{RST}}/\text{NMI}$ | 58      | I   | Reset input<br>Nonmaskable interrupt input port<br>Bootloader start   |
| TCK                                | 57      | I   | Test clock, the clock input port for device programming test and bootloader start   |
| TDI/TCLK                           | 55      | I   | Test data input or test clock input. The device protection fuse is connected to TDI/TCLK.   |
| TDO/TDI                            | 54      | I/O | Test data output or programming data input  |
| TMS                                | 56      | I   | Test mode select, used as an input port for device programming and test   |
| VeREF+                             | 10      | I   | Input for an external reference voltage to the ADC  |
| VREF+                              | 7       | O   | Output of positive terminal of the reference voltage in the ADC   |
| VREF-/-VeREF-                      | 11      | I   | Negative terminal for the ADC reference voltage for both sources, the internal reference voltage or an external applied reference voltage |
| XIN                                | 8       | I   | Input port for crystal oscillator XT1, standard or watch crystals can be connected  |
| XOUT                               | 9       | O   | Output terminal of crystal oscillator XT1   |
| XT2IN                              | 53      | I   | Input port for crystal oscillator XT2, only standard crystals can be connected  |
| XT2OUT                             | 52      | O   | Output terminal of crystal oscillator XT2   |
| QFN Pad                            | NA      | NA  | QFN package pad, connect to DV <sub>SS</sub>  |

Table 4-2 describes the signals for the MSP430F14x1 MCUs. See Table 4-1 for the MSP430F13x and MSP430F14x signal descriptions.

**Table 4-2. Signal Descriptions for MSP430F14x1**

| SIGNAL NAME           | PIN NO. | I/O | DESCRIPTION  |
|-----------------------|---------|-----|--|
| AV <sub>CC</sub>      | 64      |     | Analog supply voltage positive terminal  |
| AV <sub>SS</sub>      | 62      |     | Analog supply voltage negative terminal  |
| DV <sub>CC</sub>      | 1       |     | Digital supply voltage, positive terminal. Supplies all digital parts.                                 |
| DV <sub>SS</sub>      | 63      |     | Digital supply voltage, negative terminal. Supplies all digital parts.                                 |
| P1.0/TACLK            | 12      | I/O | General-purpose digital I/O pin<br>Timer_A, clock signal TACLK input                                   |
| P1.1/TA0              | 13      | I/O | General-purpose digital I/O pin<br>Timer_A, capture: CCI0A input, compare: Out0 output<br>BSL transmit |
| P1.2/TA1              | 14      | I/O | General-purpose digital I/O pin<br>Timer_A, capture: CCI1A input, compare: Out1 output                 |
| P1.3/TA2              | 15      | I/O | General-purpose digital I/O pin<br>Timer_A, capture: CCI2A input, compare: Out2 output                 |
| P1.4/SMCLK            | 16      | I/O | General-purpose digital I/O pin<br>SMCLK signal output   |
| P1.5/TA0              | 17      | I/O | General-purpose digital I/O pin<br>Timer_A, compare: Out0 output                                       |
| P1.6/TA1              | 18      | I/O | General-purpose digital I/O pin<br>Timer_A, compare: Out1 output                                       |
| P1.7/TA2              | 19      | I/O | General-purpose digital I/O pin<br>Timer_A, compare: Out2 output                                       |
| P2.0/ACLK             | 20      | I/O | General-purpose digital I/O pin<br>ACLK output   |
| P2.1/TAINCLK          | 21      | I/O | General-purpose digital I/O pin<br>Timer_A, clock signal at INCLK                                      |
| P2.2/CAOUT/TA0        | 22      | I/O | General-purpose digital I/O pin<br>Timer_A, capture: CCI0B input<br>Comparator_A output<br>BSL receive |
| P2.3/CA0/TA1          | 23      | I/O | General-purpose digital I/O pin<br>Timer_A, compare: Out1 output<br>Comparator_A input                 |
| P2.4/CA1/TA2          | 24      | I/O | General-purpose digital I/O pin<br>Timer_A, compare: Out2 output<br>Comparator_A input                 |
| P2.5/R <sub>OSC</sub> | 25      | I/O | General-purpose digital I/O pin<br>Input for external resistor defining the DCO nominal frequency      |
| P2.6                  | 26      | I/O | General-purpose digital I/O pin  |
| P2.7/TA0              | 27      | I/O | General-purpose digital I/O pin<br>Timer_A, compare: Out0 output                                       |
| P3.0/STE0             | 28      | I/O | General-purpose digital I/O pin<br>Slave transmit enable for USART0 in SPI mode                        |
| P3.1/SIM00            | 29      | I/O | General-purpose digital I/O pin<br>Slave in/master out of USART0 in SPI mode                           |
| P3.2/SOMI0            | 30      | I/O | General-purpose digital I/O pin<br>Slave out/master in of USART0 in SPI mode                           |
| P3.3/UCLK0            | 31      | I/O | General-purpose digital I/O<br>USART0 clock: external input in UART or SPI mode, output in SPI mode    |
| P3.4/UTXD0            | 32      | I/O | General-purpose digital I/O pin<br>Transmit data out for USART0 in UART mode                           |
| P3.5/URXD0            | 33      | I/O | General-purpose digital I/O pin<br>Receive data in for USART0 in UART mode                             |

**Table 4-2. Signal Descriptions for MSP430F14x1 (continued)**

| SIGNAL NAME                        | PIN NO. | I/O | DESCRIPTION  |
|------------------------------------|---------|-----|--|
| P3.6/UTXD1                         | 34      | I/O | General-purpose digital I/O pin<br>Transmit data out for USART1 in UART mode                                       |
| P3.7/URXD1                         | 35      | I/O | General-purpose digital I/O pin<br>Receive data in for USART1 in UART mode   |
| P4.0/TB0                           | .36     | I/O | General-purpose digital I/O pin<br>Timer_B, capture: CCI0A or CCI0B input, compare: Out0 output                    |
| P4.1/TB1                           | 37      | I/O | General-purpose digital I/O pin<br>Timer_B, capture: CCI1A or CCI1B input, compare: Out1 output                    |
| P4.2/TB2                           | 38      | I/O | General-purpose digital I/O pin<br>Timer_B, capture: CCI2A or CCI2B input, compare: Out2 output                    |
| P4.3/TB3                           | 39      | I/O | General-purpose digital I/O pin<br>Timer_B, capture: CCI3A or CCI3B input, compare: Out3 output                    |
| P4.4/TB4                           | 40      | I/O | General-purpose digital I/O pin<br>Timer_B, capture: CCI4A or CCI4B input, compare: Out4 output                    |
| P4.5/TB5                           | 41      | I/O | General-purpose digital I/O pin<br>Timer_B, capture: CCI5A or CCI5B input, compare: Out5 output                    |
| P4.6/TB6                           | 42      | I/O | General-purpose digital I/O pin<br>Timer_B, capture: CCI6A or CCI6B input, compare: Out6 output                    |
| P4.7/TBCLK                         | 43      | I/O | General-purpose digital I/O pin<br>Timer_B, clock signal TBCLK input   |
| P5.0/STE1                          | 44      | I/O | General-purpose digital I/O pin<br>Slave transmit enable for USART1 in SPI mode                                    |
| P5.1/SIMO1                         | 45      | I/O | General-purpose digital I/O pin<br>Slave in/master out of USART1 in SPI mode                                       |
| P5.2/SOMI1                         | 46      | I/O | General-purpose digital I/O pin<br>Slave out/master in of USART1 in SPI mode                                       |
| P5.3/UCLK1                         | 47      | I/O | General-purpose digital I/O pin<br>USART1 clock: external input in UART or SPI mode, output in SPI mode            |
| P5.4/MCLK                          | 48      | I/O | General-purpose digital I/O pin<br>Main system clock MCLK output   |
| P5.5/SMCLK                         | 49      | I/O | General-purpose digital I/O pin<br>Submain system clock SMCLK output   |
| P5.6/ACLK                          | 50      | I/O | General-purpose digital I/O pin<br>Auxiliary clock ACLK output   |
| P5.7/TBOUTH                        | 51      | I/O | General-purpose digital I/O pin<br>Switch all PWM digital output ports to high impedance for Timer_B7 (TB0 to TB6) |
| P6.0                               | 59      | I/O | General-purpose digital I/O pin  |
| P6.1                               | 60      | I/O | General-purpose digital I/O pin  |
| P6.2                               | 61      | I/O | General-purpose digital I/O pin  |
| P6.3                               | 2       | I/O | General-purpose digital I/O pin  |
| P6.4                               | 3       | I/O | General-purpose digital I/O pin  |
| P6.5                               | 4       | I/O | General-purpose digital I/O pin  |
| P6.6                               | 5       | I/O | General-purpose digital I/O pin  |
| P6.7                               | 6       | I/O | General-purpose digital I/O pin  |
| $\overline{\text{RST}}/\text{NMI}$ | 58      | I   | Reset input<br>Nonmaskable interrupt input port<br>Bootloader start  |
| TCK                                | 57      | I   | Test clock, the clock input port for device programming test and bootloader start                                  |
| TDI/TCLK                           | 55      | I   | Test data input or test clock input. The device protection fuse is connected to TDI/TCLK.                          |
| TDO/TDI                            | 54      | I/O | Test data output or programming data input   |
| TMS                                | 56      | I   | Test mode select, used as an input port for device programming and test  |
| DV <sub>SS</sub>                   | 10      | I   | Connect to DV <sub>SS</sub>  |
| Reserved                           | 7       |     | Reserved, do not connect externally  |

**Table 4-2. Signal Descriptions for MSP430F14x1 (continued)**

| SIGNAL NAME      | PIN NO. | I/O | DESCRIPTION   |
|------------------|---------|-----|---|
| DV <sub>SS</sub> | 11      | I   | Connect to DV <sub>SS</sub>   |
| XIN              | 8       | I   | Input port for crystal oscillator XT1. Standard or watch crystals can be connected. |
| XOUT             | 9       | O   | Output terminal of crystal oscillator XT1   |
| XT2IN            | 53      | I   | Input port for crystal oscillator XT2. Only standard crystals can be connected.     |
| XT2OUT           | 52      | O   | Output terminal of crystal oscillator XT2   |
| QFN Pad          | NA      | NA  | QFN package pad, connect to DV <sub>SS</sub>  |

## 5 Specifications

### 5.1 Absolute Maximum Ratings<sup>(1)</sup>

over operating free-air temperature range (unless otherwise noted)

|   |                     | MIN  | MAX            | UNIT |
|---|---------------------|------|----------------|------|
| Voltage applied at $V_{CC}$ to $V_{SS}$   |                     | -0.3 | 4.1            | V    |
| Voltage applied to any pin <sup>(2)</sup> |                     | -0.3 | $V_{CC} + 0.3$ | V    |
| Diode current at any device terminal      |                     |      | ±2             | mA   |
| Storage temperature                       | Programmed device   | -40  | 85             | °C   |
|   | Unprogrammed device | -55  | 150            |      |

- (1) Stresses beyond those listed under absolute maximum ratings may cause permanent damage to the device. These are stress ratings only, and functional operation of the device at these or any other conditions beyond those indicated under recommended operating conditions is not implied. Exposure to absolute-maximum-rated conditions for extended periods may affect device reliability.
- (2) All voltage values are with respect to  $V_{SS}$ , unless otherwise noted. The JTAG fuse-blow voltage,  $V_{FB}$ , is allowed to exceed the absolute maximum rating. The voltage is applied to the TDI/TCLK pin when blowing the JTAG fuse.

### 5.2 ESD Ratings

|             |                                 |  | VALUE | UNIT |
|-------------|---------------------------------|--|-------|------|
| $V_{(ESD)}$ | Electrostatic discharge ratings | Human-body model (HBM), per ANSI/ESDA/JEDEC JS-001 <sup>(1)</sup>              | ±1000 | V    |
|             |                                 | Charged-device model (CDM), per JEDEC specification JESD22-C101 <sup>(2)</sup> | ±250  |      |

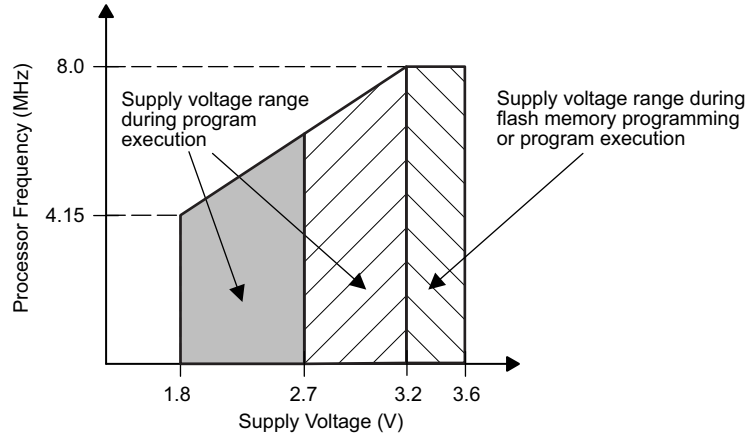
- (1) JEDEC document JEP155 states that 500-V HBM allows safe manufacturing with a standard ESD control process. Pins listed as ±1000 V may actually have higher performance.
- (2) JEDEC document JEP157 states that 250-V CDM allows safe manufacturing with a standard ESD control process. Pins listed as ±250 V may actually have higher performance.

### 5.3 Recommended Operating Conditions

Typical values are specified at  $V_{CC} = 3.3$  V and  $T_A = 25^\circ\text{C}$  (unless otherwise noted)

|              |   |  | MIN  | NOM   | MAX  | UNIT |
|--------------|---|--|------|-------|------|------|
| $V_{CC}$     | Supply voltage ( $AV_{CC} = DV_{CC} = V_{CC}$ ) | During program execution                 | 1.8  |       | 3.6  | V    |
|              |   | During flash memory programming          | 2.7  |       | 3.6  |      |
| $V_{SS}$     | Supply voltage ( $AV_{SS} = DV_{SS} = V_{SS}$ ) |  | 0    |       | 0    | V    |
| $T_A$        | Operating free-air temperature                  |  | -40  |       | 85   | °C   |
| $f_{LFXT1}$  | LFXT1 crystal frequency <sup>(1)</sup>          | LF selected, XTS = 0, watch crystal      |      | 32768 |      | Hz   |
|              |   | XT1 selected, XTS = 1, ceramic resonator | 450  |       | 8000 | kHz  |
|              |   | XT1 selected, XTS = 1, crystal           | 1000 |       | 8000 |      |
| $f_{XT2}$    | XT2 crystal frequency <sup>(1)</sup>            | Ceramic resonator                        | 450  |       | 8000 | kHz  |
|              |   | Crystal                                  | 1000 |       | 8000 |      |
| $f_{SYSTEM}$ | Processor frequency (signal MCLK)               | $V_{CC} = 1.8$ V                         | DC   |       | 4.15 | MHz  |
|              |   | $V_{CC} = 3.6$ V                         | DC   |       | 8    |      |

- (1) In LF mode, the LFXT1 oscillator requires a watch crystal. TI recommends a 5.1-M $\Omega$  resistor from XOUT to  $V_{SS}$  when  $V_{CC} < 2.5$  V. In XT1 mode, the LFXT1 and XT2 oscillators accept a ceramic resonator or crystal up to 4.15 MHz at  $V_{CC} \geq 2.2$  V. In XT1 mode, the LFXT1 and XT2 oscillators accept a ceramic resonator or crystal up to 8 MHz at  $V_{CC} \geq 2.8$  V.


**Figure 5-1. Frequency vs Supply Voltage**

#### 5.4 Supply Current Into AV<sub>CC</sub> and DV<sub>CC</sub> Excluding External Current

over recommended operating supply voltage and free-air temperature (unless otherwise noted)

| PARAMETER   | TEST CONDITIONS  | T <sub>A</sub> | V <sub>CC</sub> | MIN  | TYP | MAX | UNIT |     |
|---|--|----------------|-----------------|------|-----|-----|------|-----|
| I <sub>(AM)</sub> Active mode supply current <sup>(1)</sup>               | f <sub>(MCLK)</sub> = f <sub>(SMCLK)</sub> = 1 MHz,<br>f <sub>(ACLK)</sub> = 32768 Hz,<br>XTS = 0, SELM = 0 or 1 | –40°C to 85°C  | 2.2 V           |      | 280 | 360 | μA   |     |
|   |  |                | 3 V             |      | 420 | 560 |      |     |
|   |  | –40°C to 85°C  | 2.2 V           |      | 2.5 | 7   |      |     |
|   |  |                | 3 V             |      | 9   | 20  |      |     |
| I <sub>(LPM0)</sub> Low-power mode 0 (LPM0) supply current <sup>(1)</sup> |  | –40°C to 85°C  | 2.2 V           |      | 32  | 45  | μA   |     |
|   |  |                | 3 V             |      | 55  | 70  |      |     |
| I <sub>(LPM2)</sub> Low-power mode 2 (LPM2) supply current                | f <sub>(MCLK)</sub> = f <sub>(SMCLK)</sub> = 0 MHz,<br>f <sub>(ACLK)</sub> = 32768 Hz, SCG0 = 0                  | –40°C to 85°C  | 2.2 V           |      | 11  | 14  | μA   |     |
|   |  |                | 3 V             |      | 17  | 22  |      |     |
| I <sub>(LPM3)</sub> Low-power mode 3 (LPM3) supply current                | f <sub>(MCLK)</sub> = f <sub>(SMCLK)</sub> = 0 MHz,<br>f <sub>(ACLK)</sub> = 32768 Hz, SCG0 = 1 <sup>(2)</sup>   | –40°C          | 2.2 V           |      | 0.8 | 1.5 | μA   |     |
|   |  |                |                 | 25°C |     | 0.9 |      | 1.5 |
|   |  |                |                 | 85°C |     | 1.6 |      | 2.8 |
|   |  | –40°C          | 3 V             |      | 1.8 | 2.2 |      |     |
|   |  |                |                 | 25°C |     | 1.6 |      | 1.9 |
|   |  |                |                 | 85°C |     | 2.3 |      | 3.9 |
| I <sub>(LPM4)</sub> Low-power mode 4 (LPM4) supply current                | f <sub>(MCLK)</sub> = f <sub>(SMCLK)</sub> = f <sub>(ACLK)</sub> = 0 MHz,<br>SCG0 = 1                            | –40°C          | 2.2 V           |      | 0.1 | 0.5 | μA   |     |
|   |  |                |                 | 25°C |     | 0.1 |      | 0.5 |
|   |  |                |                 | 85°C |     | 0.8 |      | 2.5 |
|   |  | –40°C          | 3 V             |      | 0.1 | 0.5 |      |     |
|   |  |                |                 | 25°C |     | 0.1 |      | 0.5 |
|   |  |                |                 | 85°C |     | 0.8 |      | 2.5 |

(1) Timer\_B is clocked by f<sub>(DCOCLK)</sub> = 1 MHz. All inputs are tied to 0 V or to V<sub>CC</sub>. Outputs do not source or sink any current.

(2) Timer\_B is clocked by f<sub>(ACLK)</sub> = 32768 Hz. All inputs are tied to 0 V or to V<sub>CC</sub>. Outputs do not source or sink any current. The current consumption in LPM2 and LPM3 are measured with ACLK selected.

Current consumption of active mode versus system frequency

$$I_{(AM)} = I_{(AM)} [1 \text{ MHz}] \times f_{(\text{System})} [\text{MHz}]$$

Current consumption of active mode versus supply voltage

$$I_{(AM)} = I_{(AM)} [3 \text{ V}] + 175 \mu\text{A/V} \times (V_{\text{CC}} - 3 \text{ V})$$

## 5.5 Thermal Resistance Characteristics

over recommended operating supply voltage and free-air temperature (unless otherwise noted)

| THERMAL METRIC <sup>(1)</sup> |  | VALUE <sup>(2)</sup> |                    |            | UNIT |
|-------------------------------|--|----------------------|--------------------|------------|------|
|                               |  | 64-PIN PM            | 64-PIN PAG         | 64-PIN RTD |      |
| R <sub>θJA</sub>              | Junction-to-ambient thermal resistance, still air    | 52.0                 | 52.7               | 25.0       | °C/W |
| R <sub>θJC(TOP)</sub>         | Junction-to-case (top) thermal resistance            | 14.4                 | 11.2               | 14.2       | °C/W |
| R <sub>θJB</sub>              | Junction-to-board thermal resistance                 | 23.0                 | 23.4               | 9.6        | °C/W |
| Ψ <sub>JB</sub>               | Junction-to-board thermal characterization parameter | 22.7                 | 23.1               | 9.5        | °C/W |
| Ψ <sub>JT</sub>               | Junction-to-top thermal characterization parameter   | 0.6                  | 0.3                | 0.2        | °C/W |
| R <sub>θJC(BOTTOM)</sub>      | Junction-to-case (bottom) thermal resistance         | N/A <sup>(3)</sup>   | N/A <sup>(3)</sup> | 1.3        | °C/W |

(1) For more information about traditional and new thermal metrics, see [Semiconductor and IC Package Thermal Metrics](#).

(2) These values are based on a JEDEC-defined 2S2P system (with the exception of the Theta JC (R<sub>θJC</sub>) value, which is based on a JEDEC-defined 1S0P system) and will change based on environment and application. For more information, see these EIA/JEDEC standards:

- JESD51-2, *Integrated Circuits Thermal Test Method Environmental Conditions - Natural Convection (Still Air)*
- JESD51-3, *Low Effective Thermal Conductivity Test Board for Leaded Surface Mount Packages*
- JESD51-7, *High Effective Thermal Conductivity Test Board for Leaded Surface Mount Packages*
- JESD51-9, *Test Boards for Area Array Surface Mount Package Thermal Measurements*

(3) N/A = not applicable

## 5.6 Schmitt-Trigger Inputs – Ports P1, P2, P3, P4, P5, and P6

over recommended operating supply voltage and free-air temperature (unless otherwise noted)

| PARAMETER        |   | V <sub>CC</sub> | MIN | MAX | UNIT |
|------------------|---|-----------------|-----|-----|------|
| V <sub>IT+</sub> | Positive-going input threshold voltage                          | 2.2 V           | 1.1 | 1.5 | V    |
|                  |   | 3 V             | 1.5 | 1.9 |      |
| V <sub>IT-</sub> | Negative-going input threshold voltage                          | 2.2 V           | 0.4 | 0.9 | V    |
|                  |   | 3 V             | 0.9 | 1.3 |      |
| V <sub>hys</sub> | Input voltage hysteresis (V <sub>IT+</sub> – V <sub>IT-</sub> ) | 2.2 V           | 0.3 | 1.1 | V    |
|                  |   | 3 V             | 0.5 | 1   |      |

## 5.7 Standard Inputs – $\overline{RST}/NMI$ , JTAG (TCK, TMS, TDI/TCLK, TDO/TDI)

over recommended operating supply voltage and free-air temperature (unless otherwise noted)

| PARAMETER       |                          | V <sub>CC</sub> | MIN                   | MAX                   | UNIT |
|-----------------|--------------------------|-----------------|-----------------------|-----------------------|------|
| V <sub>IL</sub> | Low-level input voltage  | 2.2 V, 3 V      | V <sub>SS</sub>       | V <sub>SS</sub> + 0.6 | V    |
| V <sub>IH</sub> | High-level input voltage |                 | 0.8 × V <sub>CC</sub> | V <sub>CC</sub>       | V    |

## 5.8 Inputs – P<sub>x.y</sub>, T<sub>Ax</sub>, T<sub>Bx</sub>

over recommended operating supply voltage and free-air temperature (unless otherwise noted)

| PARAMETER                                      | TEST CONDITIONS  | V <sub>CC</sub> | MIN | MAX | UNIT  |
|--|--|-----------------|-----|-----|-------|
| t <sub>(int)</sub>                             | External interrupt timing<br>Port P1.x and P2.x, External trigger pulse duration to set interrupt flag <sup>(1)</sup>    | 2.2 V, 3 V      | 1.5 |     | cycle |
|  |  | 2.2 V           | 62  |     | ns    |
|  |  | 3 V             | 50  |     |       |
| t <sub>(cap)</sub>                             | Timer A or Timer B capture timing<br>TA0, TA1, TA2, TB0, TB1, TB2, TB3, TB4, TB5, TB6 <sup>(2)</sup>                     | 2.2 V           | 62  |     | ns    |
|  |  | 3 V             | 50  |     |       |
| f <sub>(TAext)</sub> ,<br>f <sub>(TBext)</sub> | Timer_A or Timer_B clock frequency externally applied to pin<br>TACLK, TBCLK, INCLK: t <sub>(H)</sub> = t <sub>(L)</sub> | 2.2 V           |     | 8   | MHz   |
|  |  | 3 V             |     | 10  |       |

(1) The external signal sets the interrupt flag every time the minimum t<sub>(int)</sub> cycle and time parameters are met. It may be set even with trigger signals shorter than t<sub>(int)</sub>. Both the cycle and timing specifications must be met to ensure the flag is set. t<sub>(int)</sub> is measured in MCLK cycles.

(2) Seven Timer\_B capture/compare registers in MSP430F14x and MSP430F14x devices, and three Timer\_B capture/compare registers in MSP430F13x devices.

## Inputs – Px.y, TAx, TBx (continued)

over recommended operating supply voltage and free-air temperature (unless otherwise noted)

| PARAMETER                                      |                                    | TEST CONDITIONS               | V <sub>CC</sub> | MIN | MAX | UNIT |
|--|------------------------------------|-------------------------------|-----------------|-----|-----|------|
| f <sub>(TAint)</sub> ,<br>f <sub>(TBint)</sub> | Timer_A or Timer_B clock frequency | SMCLK or ACLK signal selected | 2.2 V           |     | 8   | MHz  |
|  |                                    |                               | 3 V             |     | 10  |      |

## 5.9 Leakage Current

over recommended operating supply voltage and free-air temperature (unless otherwise noted)

| PARAMETER              |                                | TEST CONDITIONS | V <sub>CC</sub> | MIN  | MAX | UNIT |
|------------------------|--------------------------------|-----------------|-----------------|--|-----|------|
| I <sub>lkg(P1.x)</sub> | Leakage current <sup>(1)</sup> | Port P1         | 2.2 V, 3 V      |  | ±50 | nA   |
| I <sub>lkg(P2.x)</sub> |                                | Port P2         |                 | V <sub>(P2.3)</sub> , V <sub>(P2.4)</sub> <sup>(2)</sup> | ±50 |      |
| I <sub>lkg(P6.x)</sub> |                                | Port P6         |                 | V <sub>(P6.x)</sub> <sup>(2)</sup>                       | ±50 |      |

(1) The leakage current is measured with V<sub>SS</sub> or V<sub>CC</sub> applied to the corresponding pin, unless otherwise noted.

(2) The port pin must be set as input, and the optional pullup or pulldown resistor must be disabled.

## 5.10 Outputs – Ports P1, P2, P3, P4, P5, and P6

over recommended operating supply voltage and free-air temperature (unless otherwise noted)

| PARAMETER       |                           | TEST CONDITIONS                              | V <sub>CC</sub> | MIN                    | MAX                    | UNIT |
|-----------------|---------------------------|--|-----------------|------------------------|------------------------|------|
| V <sub>OH</sub> | High-level output voltage | I <sub>(OHmax)</sub> = –1 mA <sup>(1)</sup>  | 2.2 V           | V <sub>CC</sub> – 0.25 | V <sub>CC</sub>        | V    |
|                 |                           | I <sub>(OHmax)</sub> = –6 mA <sup>(2)</sup>  |                 | V <sub>CC</sub> – 0.60 | V <sub>CC</sub>        |      |
|                 |                           | I <sub>(OHmax)</sub> = 1 mA <sup>(1)</sup>   | 3 V             | V <sub>CC</sub> – 0.25 | V <sub>CC</sub>        |      |
|                 |                           | I <sub>(OHmax)</sub> = –6 mA <sup>(2)</sup>  |                 | V <sub>CC</sub> – 0.60 | V <sub>CC</sub>        |      |
| V <sub>OL</sub> | Low-level output voltage  | I <sub>(OLmax)</sub> = 1.5 mA <sup>(1)</sup> | 2.2 V           | V <sub>SS</sub>        | V <sub>SS</sub> + 0.25 | V    |
|                 |                           | I <sub>(OLmax)</sub> = 6 mA <sup>(2)</sup>   |                 | V <sub>SS</sub>        | V <sub>SS</sub> + 0.6  |      |
|                 |                           | I <sub>(OLmax)</sub> = 1.5 mA <sup>(1)</sup> | 3 V             | V <sub>SS</sub>        | V <sub>SS</sub> + 0.25 |      |
|                 |                           | I <sub>(OLmax)</sub> = 6 mA <sup>(2)</sup>   |                 | V <sub>SS</sub>        | V <sub>SS</sub> + 0.6  |      |

(1) The maximum total current, I<sub>(OHmax)</sub> and I<sub>(OLmax)</sub>, for all outputs combined, must not exceed ±6 mA to hold the maximum voltage drop specified.

(2) The maximum total current, I<sub>(OHmax)</sub> and I<sub>(OLmax)</sub>, for all outputs combined, must not exceed ±24 mA to hold the maximum voltage drop specified.

## 5.11 Output Frequency

over recommended operating supply voltage and free-air temperature (unless otherwise noted)

| PARAMETER                                |                                     | TEST CONDITIONS   | MIN  | TYP         | MAX                 | UNIT |
|--|-------------------------------------|---|--|-------------|---------------------|------|
| f <sub>TAx</sub>                         | Timer_A or Timer_B output frequency | Internal clock source, SMCLK signal applied <sup>(1)</sup> , TA0 to TA2, TB0 to TB6, C <sub>L</sub> = 20 pF | DC   |             | f <sub>SYSTEM</sub> | MHz  |
| f <sub>ACLK</sub>                        | Clock output frequency              | Measured at P5.6/ACLK   |  |             | f <sub>SYSTEM</sub> | MHz  |
| f <sub>MCLK</sub>                        |                                     | Measured at P5.4/MCLK   | C <sub>L</sub> = 20 pF                                     |             | f <sub>SYSTEM</sub> |      |
| f <sub>SMCLK</sub>                       |                                     | Measured at P5.5/SMCLK  |  |             | f <sub>SYSTEM</sub> |      |
| t <sub>Xdc</sub>                         | Duty cycle of output frequency      | Measured at P2.0/ACLK, C <sub>L</sub> = 20 pF, V <sub>CC</sub> = 2.2 V or 3 V                               | f <sub>ACLK</sub> = f <sub>LFXT1</sub> = f <sub>XT1</sub>  | 40%         | 60%                 |      |
|  |                                     |   | f <sub>ACLK</sub> = f <sub>LFXT1</sub> = f <sub>LF</sub>   | 30%         | 70%                 |      |
|  |                                     |   | f <sub>ACLK</sub> = f <sub>LFXT1/n</sub>                   | 50%         |                     |      |
|  |                                     | Measured at P1 4/SMCLK, C <sub>L</sub> = 20 pF, V <sub>CC</sub> = 2.2 V or 3 V                              | f <sub>SMCLK</sub> = f <sub>LFXT1</sub> = f <sub>XT1</sub> | 40%         | 60%                 |      |
|  |                                     |   | f <sub>SMCLK</sub> = f <sub>LFXT1</sub> = f <sub>LF</sub>  | 35%         | 65%                 |      |
|  |                                     |   | f <sub>SMCLK</sub> = f <sub>LFXT1/n</sub>                  | 50% – 15 ns | 50% 50% + 15 ns     |      |
| f <sub>SMCLK</sub> = f <sub>DCOCLK</sub> | 50% – 15 ns                         | 50% 50% + 15 ns   |  |             |                     |      |

(1) The limits of the system clock MCLK must be met; the MCLK frequency must not exceed the limits. MCLK and SMCLK frequencies can be different.

## 5.12 Typical Characteristics – Ports P1, P2, P3, P4, P5, and P6 Outputs

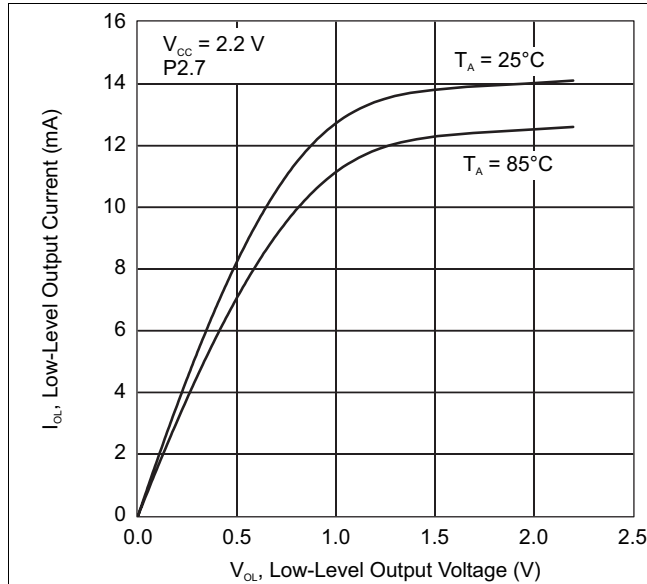


Figure 5-2. Typical Low-Level Output Current vs Low-Level Output Voltage

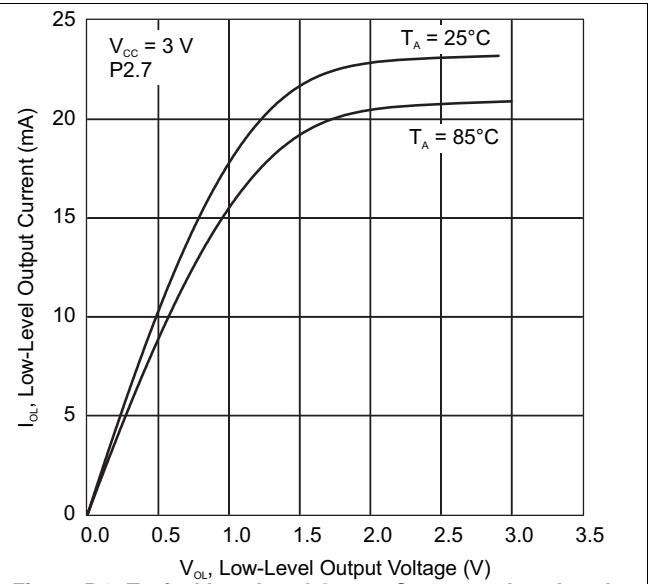


Figure 5-3. Typical Low-Level Output Current vs Low-Level Output Voltage

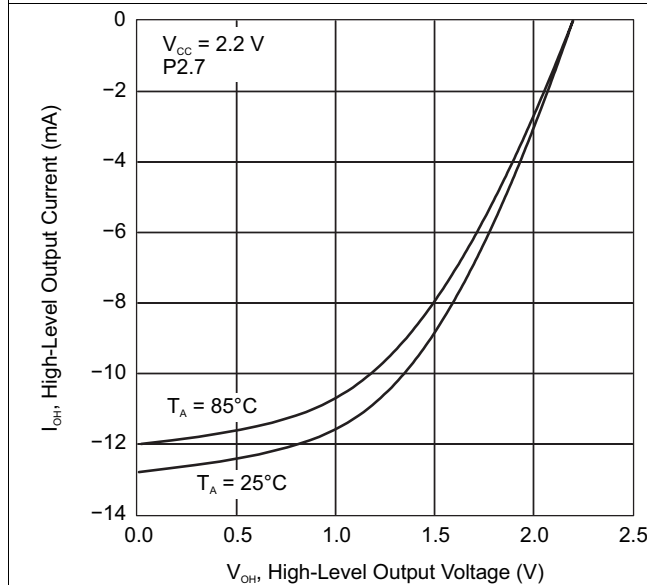


Figure 5-4. Typical High-Level Output Current vs High-Level Output Voltage

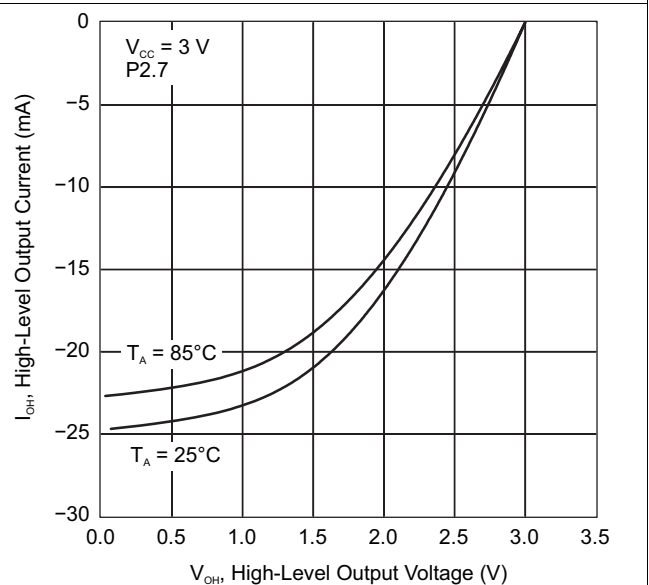


Figure 5-5. Typical High-Level Output Current vs High-Level Output Voltage

### 5.13 Wake-up Time From LPM3

over recommended operating supply voltage and free-air temperature (unless otherwise noted)

| PARAMETER                                  | TEST CONDITIONS | V <sub>CC</sub> | MIN | MAX | UNIT |
|--|-----------------|-----------------|-----|-----|------|
| t <sub>(LPM3)</sub> Wake-up time from LPM3 | f = 1 MHz       | 2.2 V, 3 V      |     | 6   | μs   |
|  | f = 2 MHz       |                 |     | 6   |      |
|  | f = 3 MHz       |                 |     | 6   |      |

### 5.14 RAM

over recommended operating supply voltage and free-air temperature (unless otherwise noted)

| PARAMETER   | TEST CONDITIONS | MIN | MAX | UNIT |
|---|-----------------|-----|-----|------|
| V <sub>RAMh</sub> Minimum supply voltage <sup>(1)</sup> | CPU halted      | 1.6 |     | V    |

(1) This parameter defines the minimum supply voltage when the data in program memory RAM remain unchanged. No program execution should take place during this supply voltage condition.

### 5.15 Comparator\_A<sup>(1)</sup>

over recommended operating supply voltage and free-air temperature (unless otherwise noted)

| PARAMETER   | TEST CONDITIONS  | V <sub>CC</sub> | MIN  | TYP  | MAX                 | UNIT |
|---|--|-----------------|------|------|---------------------|------|
| I <sub>(DD)</sub> Supply current  | CAON = 1 CARSEL = 0 CAREF = 0  | 2.2 V           |      | 25   | 40                  | μA   |
|   |  | 3 V             |      | 45   | 60                  |      |
| I <sub>(Refladder/Refdiode)</sub> Reference ladder supply current                       | CAON = 1, CARSEL = 0, CAREF 1, 2, or 3, No load at P2.3/CA0/TA1 and P2.4/CA1/TA2                 | 2.2 V           |      | 30   | 50                  | μA   |
|   |  | 3 V             |      | 45   | 71                  |      |
| V <sub>(IC)</sub> Common-mode input voltage   | CAON = 1   | 2.2 V, 3 V      | 0    |      | V <sub>CC</sub> – 1 | V    |
| V <sub>(Ref025)</sub> Ratio of (voltage at 0.25 V <sub>CC</sub> node) / V <sub>CC</sub> | PCA0 = 1, CARSEL = 1, CAREF = 1, No load at P2.3/CA0/TA1 and P2.4/CA1/TA2                        | 2.2 V, 3 V      | 0.23 | 0.24 | 0.25                |      |
| V <sub>(Ref050)</sub> Ratio of (voltage at 0.5 V <sub>CC</sub> node) / V <sub>CC</sub>  | PCA0 = 1, CARSEL = 1, CAREF = 2, No load at P2.3/CA0/TA1 and P2.4/CA1/TA2                        | 2.2 V, 3 V      | 0.47 | 0.48 | 0.5                 |      |
| V <sub>(RefVT)</sub> Reference voltage (see Figure 5-6 and Figure 5-7)                  | PCA0 = 1, CARSEL = 1, CAREF = 3, No load at P2.3/CA0/TA1 and P2.4/CA1/TA2, T <sub>A</sub> = 85°C | 2.2 V           | 390  | 480  | 540                 | mV   |
|   |  | 3 V             | 400  | 490  | 550                 |      |
| V <sub>(offset)</sub> Offset voltage <sup>(2)</sup>                                     |  | 2.2 V, 3 V      | –30  |      | 30                  | mV   |
| V <sub>hys</sub> Input hysteresis   | CAON = 1   | 2.2 V, 3 V      | 0    | 0.7  | 1.4                 | mV   |
| t <sub>(response LH)</sub> Low-to-high response time                                    | T <sub>A</sub> = 25°C, Overdrive = 10 mV, Without filter: CAF = 0                                | 2.2 V           | 130  | 210  | 300                 | ns   |
|   |  | 3 V             | 80   | 150  | 240                 |      |
|   | T <sub>A</sub> = 25°C, Overdrive = 10 mV, Without filter: CAF = 1                                | 2.2 V           | 1.4  | 1.9  | 3.4                 | μs   |
|   |  | 3 V             | 0.9  | 1.5  | 2.6                 |      |
| t <sub>(response HL)</sub> High-to-low response time                                    | T <sub>A</sub> = 25°C, Overdrive = 10 mV, Without filter: CAF = 0                                | 2.2 V           | 130  | 210  | 300                 | ns   |
|   |  | 3 V             | 80   | 150  | 240                 |      |
|   | T <sub>A</sub> = 25°C, Overdrive = 10 mV, Without filter: CAF = 1                                | 2.2 V           | 1.4  | 1.9  | 3.4                 | μs   |
|   |  | 3 V             | 0.9  | 1.5  | 2.6                 |      |

(1) The leakage current for the Comparator\_A terminals is identical to the I<sub>(kgPx.x)</sub> specification.

(2) The input offset voltage can be cancelled by using the CAEX bit to invert the Comparator\_A inputs on successive measurements. The two successive measurements are then summed together.

## 5.16 Typical Characteristics – Comparator\_A



### 5.17 PUC and POR

| PARAMETER                | TEST CONDITIONS   | V <sub>CC</sub>                  | MIN                    | TYP | MAX | UNIT |
|--------------------------|---|----------------------------------|------------------------|-----|-----|------|
| t <sub>(POR_Delay)</sub> | Internal time delay to release POR  |                                  |                        | 150 | 250 | μs   |
| V <sub>POR</sub>         | V <sub>CC</sub> threshold at which POR release delay time begins <sup>(1)</sup> | 2.2 V, 3 V                       | T <sub>A</sub> = -40°C | 1.4 | 1.8 | V    |
|                          |   |                                  | T <sub>A</sub> = 25°C  | 1.1 | 1.5 |      |
|                          |   |                                  | T <sub>A</sub> = 85°C  | 0.8 | 1.2 |      |
| V <sub>(min)</sub>       | V <sub>CC</sub> threshold required to generate a POR <sup>(2)</sup>             | V <sub>CC</sub>  dV/dt  ≥ 1 V/ms | 2.2 V, 3 V             | 0.2 |     | V    |
| t <sub>(reset)</sub>     | $\overline{\text{RST}}/\text{NMI}$ low time for PUC or POR                      | Reset is accepted internally     | 2.2 V, 3 V             | 2   |     | μs   |

(1) V<sub>CC</sub> rise time dV/dt ≥ 1 V/ms

(2) When driving V<sub>CC</sub> low to generate a POR condition, drive V<sub>CC</sub> to 200 mV or lower with a dV/dt equal to or less than -1 V/ms. The corresponding rising V<sub>CC</sub> must also meet the dV/dt requirement equal to or greater than +1 V/ms.



**Figure 5-10. V<sub>POR</sub> vs Supply Voltage**



**Figure 5-11. V<sub>POR</sub> vs Temperature**

## 5.18 DCO Frequency<sup>(1)</sup>

over recommended operating supply voltage and free-air temperature (unless otherwise noted)

| PARAMETER            | TEST CONDITIONS  | V <sub>CC</sub> | MIN                         | TYP                         | MAX                         | UNIT              |
|----------------------|--|-----------------|-----------------------------|-----------------------------|-----------------------------|-------------------|
| f <sub>DCO(03)</sub> | Rsel = 0, DCO = 3, MOD = 0, DCOR = 0, T <sub>A</sub> = 25°C                      | 2.2 V, 3 V      | 0.08                        | 0.12                        | 0.15                        | MHz               |
|                      |  |                 | 0.08                        | 0.13                        | 0.16                        |                   |
| f <sub>DCO(13)</sub> | Rsel = 1, DCO = 3, MOD = 0, DCOR = 0, T <sub>A</sub> = 25°C                      | 2.2 V, 3 V      | 0.14                        | 0.19                        | 0.23                        | MHz               |
|                      |  |                 | 0.14                        | 0.18                        | 0.22                        |                   |
| f <sub>DCO(23)</sub> | Rsel = 2, DCO = 3, MOD = 0, DCOR = 0, T <sub>A</sub> = 25°C                      | 2.2 V, 3 V      | 0.22                        | 0.30                        | 0.36                        | MHz               |
|                      |  |                 | 0.22                        | 0.28                        | 0.34                        |                   |
| f <sub>DCO(33)</sub> | Rsel = 3, DCO = 3, MOD = 0, DCOR = 0, T <sub>A</sub> = 25°C                      | 2.2 V, 3 V      | 0.37                        | 0.49                        | 0.59                        | MHz               |
|                      |  |                 | 0.37                        | 0.47                        | 0.56                        |                   |
| f <sub>DCO(43)</sub> | Rsel = 4, DCO = 3, MOD = 0, DCOR = 0, T <sub>A</sub> = 25°C                      | 2.2 V, 3 V      | 0.61                        | 0.77                        | 0.93                        | MHz               |
|                      |  |                 | 0.61                        | 0.75                        | 0.90                        |                   |
| f <sub>DCO(53)</sub> | Rsel = 5, DCO = 3, MOD = 0, DCOR = 0, T <sub>A</sub> = 25°C                      | 2.2 V, 3 V      | 1                           | 1.2                         | 1.5                         | MHz               |
|                      |  |                 | 1                           | 1.3                         | 1.5                         |                   |
| f <sub>DCO(63)</sub> | Rsel = 6, DCO = 3, MOD = 0, DCOR = 0, T <sub>A</sub> = 25°C                      | 2.2 V, 3 V      | 1.6                         | 1.9                         | 2.2                         | MHz               |
|                      |  |                 | 1.69                        | 2.0                         | 2.29                        |                   |
| f <sub>DCO(73)</sub> | Rsel = 7, DCO = 3, MOD = 0, DCOR = 0, T <sub>A</sub> = 25°C                      | 2.2 V, 3 V      | 2.4                         | 2.9                         | 3.4                         | MHz               |
|                      |  |                 | 2.7                         | 3.2                         | 3.65                        |                   |
| f <sub>DCO(47)</sub> | Rsel = 4, DCO = 7, MOD = 0, DCOR = 0, T <sub>A</sub> = 25°C                      | 2.2 V, 3 V      | f <sub>DCO40</sub><br>× 1.7 | f <sub>DCO40</sub><br>× 2.1 | f <sub>DCO40</sub><br>× 2.5 | MHz               |
| f <sub>DCO(77)</sub> | Rsel = 7, DCO = 7, MOD = 0, DCOR = 0, T <sub>A</sub> = 25°C                      | 2.2 V, 3 V      | 4                           | 4.5                         | 4.9                         | MHz               |
|                      |  |                 | 4.4                         | 4.9                         | 5.4                         |                   |
| S <sub>Rsel</sub>    | S <sub>Rsel</sub> = f <sub>Rsel+1</sub> / f <sub>Rsel</sub>                      | 2.2 V, 3 V      | 1.35                        | 1.65                        | 2                           |                   |
| S <sub>DCO</sub>     | S <sub>DCO</sub> = f <sub>DCO+1</sub> / f <sub>DCO</sub>                         | 2.2 V, 3 V      | 1.07                        | 1.12                        | 1.16                        |                   |
| D <sub>t</sub>       | Temperature drift <sup>(2)</sup> , Rsel = 4, DCO = 3, MOD = 0                    | 2.2 V, 3 V      | -0.31                       | -0.36                       | -0.40                       | %/ <sup>o</sup> C |
|                      |  |                 | -0.33                       | -0.38                       | -0.43                       |                   |
| D <sub>V</sub>       | Drift with V <sub>CC</sub> variation <sup>(2)</sup> , Rsel = 4, DCO = 3, MOD = 0 | 2.2 V, 3 V      | 0                           | 5                           | 10                          | %/V               |

(1) The DCO frequency may not exceed the maximum system frequency defined by the processor frequency parameter, f<sub>SYSTEM</sub>.

(2) This parameter is not production tested.

### DCO Characteristics (see Figure 5-12)

- Individual devices have a minimum and maximum operation frequency. The specified parameters for  $f_{\text{DCO}(x0)}$  to  $f_{\text{DCO}(x7)}$  are valid for all devices.
- All ranges selected by Rsel(n) overlap with Rsel(n+1); for example, Rsel0 overlaps with Rsel1, and Rsel6 overlaps with Rsel7.
- DCO control bits DCO0, DCO1, and DCO2 have a step size as defined by parameter  $S_{\text{DCO}}$ .
- Modulation control bits MOD0 to MOD4 select how often  $f_{\text{DCO}+1}$  is used within the period of 32 DCOCLK cycles. The frequency  $f_{\text{DCO}}$  is used for the remaining cycles. The frequency is an average equal to  $f_{\text{DCO}} \times 2^{\text{MOD}/32}$ .



Figure 5-12. DCO Characteristics

### 5.19 DCO When Using $R_{\text{osc}}$

over recommended operating supply voltage and free-air temperature (unless otherwise noted)<sup>(1)</sup>

| PARAMETER        | TEST CONDITIONS                      | $V_{\text{CC}}$   | MIN        | TYP       | MAX | UNIT |
|------------------|--------------------------------------|---|------------|-----------|-----|------|
| $f_{\text{DCO}}$ | DCO output frequency                 | Rsel = 4, DCO = 3, MOD = 0, DCOR = 1,<br>$T_A = 25^\circ\text{C}$ | 2.2 V      | 1.8 ±15%  |     | MHz  |
|                  |                                      |   | 3 V        | 1.95 ±15% |     |      |
| $D_t$            | Temperature drift                    | Rsel = 4, DCO = 3, MOD = 0, DCOR = 1                              | 2.2 V, 3 V | ±0.1      |     | %/°C |
| $D_v$            | Drift with $V_{\text{CC}}$ variation | Rsel = 4, DCO = 3, MOD = 0, DCOR = 1                              | 2.2 V, 3 V | 10        |     | %/V  |

(1)  $R_{\text{osc}} = 100 \text{ k}\Omega$ , metal film resistor, type 0257, 0.6 W, 1% tolerance,  $T_K = \pm 50 \text{ ppm}/^\circ\text{C}$

## 5.20 Crystal Oscillator, LFXT1

over recommended operating supply voltage and free-air temperature (unless otherwise noted)<sup>(1)</sup>

| PARAMETER         |  | TEST CONDITIONS                  | V <sub>CC</sub> | MIN                   | TYP | MAX                   | UNIT |
|-------------------|--|----------------------------------|-----------------|-----------------------|-----|-----------------------|------|
| C <sub>XIN</sub>  | Integrated input capacitance                   | XTS = 0, LF oscillator selected  | 2.2 V, 3 V      | 12                    |     |                       | pF   |
|                   |  | XTS = 1, XT1 oscillator selected |                 | 2                     |     |                       |      |
| C <sub>XOUT</sub> | Integrated output capacitance                  | XTS = 0, LF oscillator selected  | 2.2 V, 3 V      | 12                    |     |                       | pF   |
|                   |  | XTS = 1, XT1 oscillator selected |                 | 2                     |     |                       |      |
| V <sub>IL</sub>   | Low-level input voltage at XIN <sup>(2)</sup>  |                                  | 2.2 V, 3 V      | V <sub>SS</sub>       |     | 0.2 × V <sub>CC</sub> | V    |
| V <sub>IH</sub>   | High-level input voltage at XIN <sup>(2)</sup> |                                  | 2.2 V, 3 V      | 0.8 × V <sub>CC</sub> |     | V <sub>CC</sub>       | V    |

(1) The oscillator needs capacitors at both terminals, with values specified by the crystal manufacturer.

(2) Applies only when using an external logic-level clock source. Not applicable when using a crystal or resonator.

## 5.21 Crystal Oscillator, XT2

over recommended operating supply voltage and free-air temperature (unless otherwise noted)<sup>(1)</sup>

| PARAMETER           |  | V <sub>CC</sub> | MIN                   | TYP | MAX                   | UNIT |
|---------------------|--|-----------------|-----------------------|-----|-----------------------|------|
| C <sub>XT2IN</sub>  | Input capacitance                                | 2.2 V, 3 V      |                       | 2   |                       | pF   |
| C <sub>XT2OUT</sub> | Output capacitance                               | 2.2 V, 3 V      |                       | 2   |                       | pF   |
| V <sub>IL</sub>     | Low-level input voltage at XT2IN <sup>(2)</sup>  | 2.2 V, 3 V      | V <sub>SS</sub>       |     | 0.2 × V <sub>CC</sub> | V    |
| V <sub>IH</sub>     | High-level input voltage at XT2IN <sup>(2)</sup> | 2.2 V, 3 V      | 0.8 × V <sub>CC</sub> |     | V <sub>CC</sub>       | V    |

(1) The oscillator needs capacitors at both terminals, with values specified by the crystal manufacturer.

(2) Applies only when using an external logic-level clock source. Not applicable when using a crystal or resonator.

## 5.22 USART0, USART1

over recommended operating supply voltage and free-air temperature (unless otherwise noted)

| PARAMETER        |   | V <sub>CC</sub> | MIN | TYP | MAX | UNIT |
|------------------|---|-----------------|-----|-----|-----|------|
| t <sub>(τ)</sub> | USART0 or USART1 deglitch time <sup>(1)</sup> | 2.2 V           | 200 | 430 | 800 | ns   |
|                  |   | 3 V             | 150 | 280 | 500 |      |

(1) The signal applied to the USART0 USART1 receive terminal (URXD0 or URXD1) must meet the timing requirements of t<sub>(τ)</sub> to ensure that the URXS flip-flop is set. The URXS flip-flop is set with negative pulses meeting the minimum timing condition of t<sub>(τ)</sub>. The operating conditions to set the flag must be met independently from this timing constraint. The deglitch circuitry is active only on negative transitions on the URXD0 or URXD1 line.

## 5.23 12-Bit ADC, Power Supply and Input Range Conditions

over recommended operating supply voltage and free-air temperature (unless otherwise noted)<sup>(1)</sup>

| PARAMETER   | TEST CONDITIONS  | V <sub>CC</sub> | MIN | TYP  | MAX               | UNIT |
|---|--|-----------------|-----|------|-------------------|------|
| AV <sub>CC</sub> Analog supply voltage  | AV <sub>CC</sub> and DV <sub>CC</sub> are connected together, AV <sub>SS</sub> and DV <sub>SS</sub> are connected together, V <sub>(AVSS)</sub> = V <sub>(DVSS)</sub> = 0 V    |                 | 2.2 |      | 3.6               | V    |
| V <sub>(P6.x/Ax)</sub> Analog input voltage <sup>(2)</sup>                                    | All P6.0/A0 to P6.7/A7 terminals, analog inputs selected in ADC12MCTLx register and P6Sel.x = 1, 0 ≤ x ≤ 7, V <sub>(AVSS)</sub> ≤ V <sub>(P6.x/Ax)</sub> ≤ V <sub>(AVCC)</sub> |                 | 0   |      | V <sub>AVCC</sub> | V    |
| I <sub>ADC12</sub> ADC operating supply current into AV <sub>CC</sub> terminal <sup>(3)</sup> | f <sub>ADC12CLK</sub> = 5.0 MHz, ADC12ON = 1, REFON = 0, SHT0 = 0, SHT1 = 0, ADC12DIV = 0  | 2.2 V           |     | 0.65 | 1.3               | mA   |
|   |  | 3 V             |     | 0.8  | 1.6               |      |
| I <sub>REF+</sub> REF operating supply current into AV <sub>CC</sub> terminal <sup>(4)</sup>  | f <sub>ADC12CLK</sub> = 5.0 MHz, ADC12ON = 0, REFON = 1, REF2_5V = 1   | 3 V             |     | 0.5  | 0.8               | mA   |
|   |  | 2.2 V           |     | 0.5  | 0.8               |      |
|   |  | 3 V             |     | 0.5  | 0.8               |      |
| C <sub>I</sub> Input capacitance <sup>(5)</sup>   | Only one P6.x/Ax terminal can be selected at one time  | 2.2 V           |     |      | 40                | pF   |
| R <sub>I</sub> Input MUX ON resistance <sup>(5)</sup>   | 0 V ≤ V <sub>Ax</sub> ≤ V <sub>AVCC</sub>  | 3 V             |     |      | 2000              | Ω    |

(1) The leakage current is defined in the leakage current table.

(2) The analog input voltage range must be within the selected reference voltage range V<sub>R+</sub> to V<sub>R-</sub> for valid conversion results.

(3) The internal reference supply current is not included in current consumption parameter I<sub>ADC12</sub>.

(4) The internal reference current is supplied through the AV<sub>CC</sub> terminal. Consumption is independent of the ADC12ON control bit, unless a conversion is active. The REFON bit enables to settle the built-in reference before starting a conversion.

(5) Not production tested, limits verified by design.

## 5.24 12-Bit ADC, External Reference

over recommended operating supply voltage and free-air temperature (unless otherwise noted)<sup>(1)</sup>

| PARAMETER   | TEST CONDITIONS  | V <sub>CC</sub> | MIN | MAX               | UNIT |
|---|--|-----------------|-----|-------------------|------|
| V <sub>VeREF+</sub> Positive external reference input voltage                                 | V <sub>VeREF+</sub> > V <sub>VREF-/VeREF-</sub> <sup>(2)</sup> |                 | 1.4 | V <sub>AVCC</sub> | V    |
| V <sub>VREF-/VeREF-</sub> Negative external reference input voltage                           | V <sub>VeREF+</sub> > V <sub>VREF-/VeREF-</sub> <sup>(3)</sup> |                 | 0   | 1.2               | V    |
| V <sub>VeREF+</sub> – V <sub>VREF-/VeREF-</sub> Differential external reference input voltage | V <sub>VeREF+</sub> > V <sub>VREF-/VeREF-</sub> <sup>(4)</sup> |                 | 1.4 | V <sub>AVCC</sub> | V    |
| I <sub>VeREF+</sub> Static input current, VeREF+  | 0 V ≤ V <sub>VeREF+</sub> ≤ V <sub>AVCC</sub>                  | 2.2 V, 3 V      |     | ±1                | μA   |
| I <sub>VREF-/VeREF-</sub> Static input current, VeREF-  | 0 V ≤ V <sub>VREF-/VeREF-</sub> ≤ V <sub>AVCC</sub>            | 2.2 V, 3 V      |     | ±1                | μA   |

(1) The external reference is used during conversion to charge and discharge the capacitance array. The input capacitance, C<sub>I</sub>, is also the dynamic load for an external reference during conversion. The dynamic impedance of the reference supply should follow the recommendations on analog-source impedance to allow the charge to settle for 12-bit accuracy.

(2) The accuracy requirements limit the minimum positive external reference voltage. Lower reference voltage levels may be applied with reduced accuracy requirements.

(3) The accuracy requirements limit the maximum negative external reference voltage. Higher reference voltage levels may be applied with reduced accuracy requirements.

(4) The accuracy requirements limit the minimum external differential reference voltage. Lower differential reference voltage levels may be applied with reduced accuracy requirements.

## 5.25 12-Bit ADC, Built-In Reference

over recommended operating supply voltage and free-air temperature (unless otherwise noted)

| PARAMETER              | TEST CONDITIONS  | V <sub>CC</sub>   | MIN                      | TYP | MAX  | UNIT |        |
|------------------------|--|---|--------------------------|-----|------|------|--------|
| V <sub>REF+</sub>      | REF2_5V = 1 for 2.5 V,<br>I <sub>VREF+</sub> ≤ I <sub>VREF+(max)</sub> | 3 V   | 2.4                      | 2.5 | 2.6  | V    |        |
|                        | REF2_5V = 0 for 1.5 V,<br>I <sub>VREF+</sub> ≤ I <sub>VREF+(max)</sub> | 2.2 V, 3 V  | 1.44                     | 1.5 | 1.56 |      |        |
| AV <sub>CC(min)</sub>  | REF2_5V = 0, I <sub>VREF+</sub> ≤ 1 mA                                 |   | 2.2                      |     |      | V    |        |
|                        | REF2_5V = 1, I <sub>VREF+</sub> ≤ 0.5 mA                               |   | V <sub>REF+</sub> + 0.15 |     |      |      |        |
|                        | REF2_5V = 1, I <sub>VREF+</sub> ≤ 1 mA                                 |   | V <sub>REF+</sub> + 0.15 |     |      |      |        |
| I <sub>VREF+</sub>     | Load current out of V <sub>REF+</sub> terminal                         | 2.2 V   | 0.01                     |     | -0.5 | mA   |        |
|                        |  | 3 V   |                          |     | -1   |      |        |
| I <sub>L(VREF+)</sub>  | Load-current regulation, V <sub>REF+</sub> terminal <sup>(1)</sup>     | I <sub>VREF+</sub> = 500 μA ±100 μA,<br>Analog input voltage ≈ 0.75 V,<br>REF2_5V = 0   | 2.2 V                    |     |      | ±2   | LSB    |
|                        |  |   | 3 V                      |     |      | ±2   |        |
|                        |  | I <sub>VREF+</sub> = 500 μA ±100 μA,<br>Analog input voltage ≈ 1.25 V,<br>REF2_5V = 1   | 3 V                      |     |      | ±2   | LSB    |
| I <sub>DL(VREF+)</sub> | Load-current regulation, V <sub>REF+</sub> terminal <sup>(2)</sup>     | I <sub>VREF+</sub> = 100 μA to 90 μA,<br>C <sub>VREF+</sub> = 5 μF, V <sub>AX</sub> ≈ 0.5 × V <sub>REF+</sub> ,<br>Error of conversion result ≤ 1 LSB | 3 V                      |     |      | 20   | ns     |
| C <sub>VREF+</sub>     | Capacitance at V <sub>REF+</sub> terminal <sup>(3)</sup>               | REFON = 1,<br>0 mA ≤ I <sub>VREF+</sub> ≤ I <sub>VREF+(max)</sub>   | 2.2 V, 3 V               | 5   | 10   |      | μF     |
| T <sub>REF+</sub>      | Temperature coefficient of built-in reference <sup>(1)</sup>           | I <sub>VREF+</sub> is constant in the range of<br>0 mA ≤ I <sub>VREF+</sub> ≤ 1 mA  | 2.2 V, 3 V               |     |      | ±100 | ppm/°C |
| t <sub>REFON</sub>     | Settling time of reference voltage <sup>(4)(1)</sup> (see Figure 5-13) | I <sub>VREF+</sub> = 0.5 mA, C <sub>VREF+</sub> = 10 μF,<br>V <sub>VREF+</sub> = 1.5 V, V <sub>AVCC</sub> = 2.2 V                                     |                          |     |      | 17   | ms     |

(1) Not production tested, limits characterized

(2) Not production tested, limits verified by design

(3) The internal buffer operational amplifier and the accuracy specifications require an external capacitor. All INL and DNL tests uses two capacitors between pins V<sub>REF+</sub> and AV<sub>SS</sub> and V<sub>REF-</sub>/V<sub>REF-</sub> and AV<sub>SS</sub>: 10-μF tantalum and 100-nF ceramic.

(4) The condition is that the error in a conversion started after t<sub>REFON</sub> is less than ±0.5 LSB. The settling time depends on the external capacitive load.

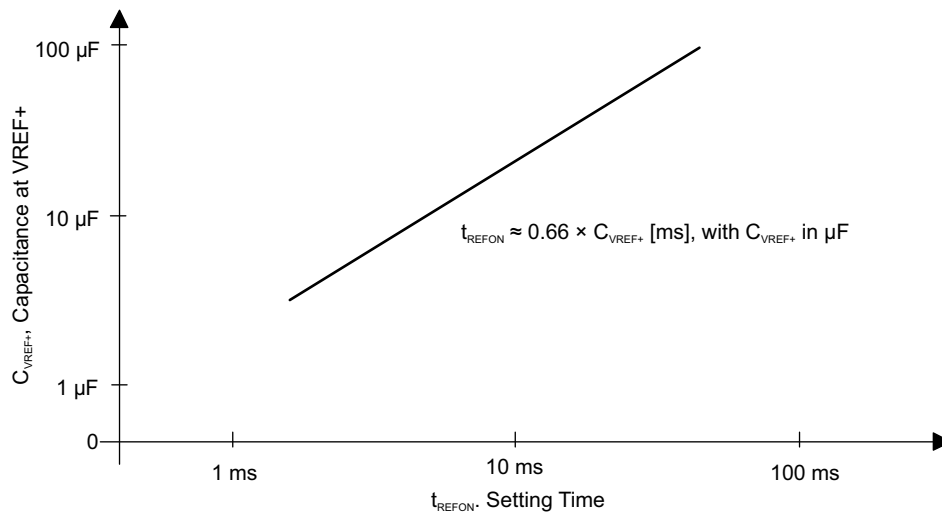


Figure 5-13. Typical Settling Time of Internal Reference (t<sub>REFON</sub>) vs External Capacitor on V<sub>REF+</sub>



Figure 5-14. Supply Voltage and Reference Voltage Design, V<sub>REF</sub> - /V<sub>eREF</sub> - External Supply



Figure 5-15. Supply Voltage and Reference Voltage Design, VREF-/VeREF- = AVSS, Internally Connected

## 5.26 12-Bit ADC, Timing Parameters

over recommended operating supply voltage and free-air temperature (unless otherwise noted)

| PARAMETER             |   | TEST CONDITIONS  | V <sub>CC</sub> | MIN          | TYP | MAX  | UNIT |
|-----------------------|---|--|-----------------|--------------|-----|------|------|
| f <sub>ADC12CLK</sub> | ADC clock frequency                             | For specified performance of ADC12 linearity parameters  | 2.2 V, 3 V      | 0.45         | 5   | 6.3  | MHz  |
| f <sub>ADC12OSC</sub> | Internal ADC12 oscillator                       | ADC12DIV = 0, f <sub>ADC12CLK</sub> = f <sub>ADC12OSC</sub>  | 2.2 V, 3 V      | 3.7          |     | 6.3  | MHz  |
| t <sub>CONVERT</sub>  | Conversion time                                 | C <sub>VREF+</sub> ≥ 5 μF, internal oscillator, f <sub>ADC12OSC</sub> = 3.7 MHz to 6.3 MHz<br>External f <sub>ADC12CLK</sub> from ACLK, MCLK or SMCLK, ADC12SSEL ≠ 0 | 2.2 V, 3 V      | 2.06         |     | 3.51 | μs   |
| t <sub>ADC12ON</sub>  | Turn-on settling time of the ADC <sup>(1)</sup> | See <sup>(2)</sup>   |                 |              |     | 100  | ns   |
| t <sub>Sample</sub>   | Sampling time <sup>(1)</sup>                    | R <sub>S</sub> = 400 Ω, R <sub>I</sub> = 1000 Ω, C <sub>I</sub> = 30 pF, τ = [R <sub>S</sub> + R <sub>I</sub> ] × C <sub>I</sub> <sup>(3)</sup>                      | 3 V<br>2.2 V    | 1220<br>1400 |     |      | ns   |

(1) Not production tested, limits verified by design

(2) The condition is that the error in a conversion started after t<sub>ADC12ON</sub> is less than ±0.5 LSB. The reference and input signal are already settled.

(3) Approximately 10 Tau (τ) are needed to get an error of less than ±0.5 LSB:

$$t_{\text{Sample}} = \ln(2^{n+1}) \times (R_S + R_I) \times C_I + 800 \text{ ns, where } n = \text{ADC resolution} = 12, R_S = \text{external source resistance}$$

## 5.27 12-Bit ADC, Linearity Parameters

over recommended operating supply voltage and free-air temperature (unless otherwise noted)

| PARAMETER      |                              | TEST CONDITIONS   | V <sub>CC</sub> | MIN | TYP  | MAX  | UNIT |
|----------------|------------------------------|---|-----------------|-----|------|------|------|
| E <sub>I</sub> | Integral linearity error     | 1.4 V ≤ (V <sub>VeREF+</sub> - V <sub>VREF-/VeREF-</sub> ) <sub>min</sub> ≤ 1.6 V   | 2.2 V, 3 V      |     |      | ±2   | LSB  |
|                |                              | 1.6 V < (V <sub>VeREF+</sub> - V <sub>VREF-/VeREF-</sub> ) <sub>min</sub> ≤ V <sub>AVCC</sub>   |                 |     |      | ±1.7 |      |
| E <sub>D</sub> | Differential linearity error | (V <sub>VeREF+</sub> - V <sub>VREF-/VeREF-</sub> ) <sub>min</sub> ≤ (V <sub>VeREF+</sub> - V <sub>VREF-/VeREF-</sub> ), C <sub>VREF+</sub> = 10 μF (tantalum) and 100 nF (ceramic)  | 2.2 V, 3 V      |     |      | ±1   | LSB  |
| E <sub>O</sub> | Offset error                 | (V <sub>VeREF+</sub> - V <sub>VREF-/VeREF-</sub> ) <sub>min</sub> ≤ (V <sub>VeREF+</sub> - V <sub>VREF-/VeREF-</sub> ), Internal impedance of source R <sub>S</sub> < 100 Ω, C <sub>VREF+</sub> = 10 μF (tantalum) and 100 nF (ceramic) | 2.2 V, 3 V      |     | ±2   | ±4   | LSB  |
| E <sub>G</sub> | Gain error                   | (V <sub>VeREF+</sub> - V <sub>VREF-/VeREF-</sub> ) <sub>min</sub> ≤ (V <sub>VeREF+</sub> - V <sub>VREF-/VeREF-</sub> ), C <sub>VREF+</sub> = 10 μF (tantalum) and 100 nF (ceramic)  | 2.2 V, 3 V      |     | ±1.1 | ±2   | LSB  |
| E <sub>T</sub> | Total unadjusted error       | (V <sub>VeREF+</sub> - V <sub>VREF-/VeREF-</sub> ) <sub>min</sub> ≤ (V <sub>VeREF+</sub> - V <sub>VREF-/VeREF-</sub> ), C <sub>VREF+</sub> = 10 μF (tantalum) and 100 nF (ceramic)  | 2.2 V, 3 V      |     | ±2   | ±5   | LSB  |

## 5.28 12-Bit ADC, Temperature Sensor and Built-In $V_{MID}$

over recommended operating supply voltage and free-air temperature (unless otherwise noted)

| PARAMETER            |  | TEST CONDITIONS   | $V_{CC}$ | MIN | TYP  | MAX                | UNIT           |
|----------------------|--|---|----------|-----|------|--------------------|----------------|
| $I_{SENSOR}$         | Operating supply current into $AV_{CC}$ terminal <sup>(1)</sup>  | REFON = 0, INCH = 0Ah,<br>ADC12ON = N/A, $T_A = 25^\circ C$         | 2.2 V    |     | 40   | 120                | $\mu A$        |
|                      |  |   | 3 V      |     | 60   | 160                |                |
| $V_{SENSOR}$         | Sensor output voltage <sup>(2)</sup>                             | ADC12ON = 1, INCH = 0Ah,<br>$T_A = 0^\circ C$                       | 2.2 V    |     | 986  | 986 $\pm 5\%$      | mV             |
|                      |  |   | 3 V      |     | 986  | 986 $\pm 5\%$      |                |
| $TC_{SENSOR}$        | Temperature coefficient of sensor output voltage <sup>(2)</sup>  | ADC12ON = 1, INCH = 0Ah   | 2.2 V    |     | 3.55 | 3.55 $\pm 3\%$     | mV/ $^\circ C$ |
|                      |  |   | 3 V      |     | 3.55 | 3.55 $\pm 3\%$     |                |
| $t_{SENSOR(sample)}$ | Sample time required if channel 10 is selected <sup>(2)(3)</sup> | ADC12ON = 1, INCH = 0Ah,<br>Error of conversion result $\leq 1$ LSB | 2.2 V    |     | 30   |                    | $\mu s$        |
|                      |  |   | 3 V      |     | 30   |                    |                |
| $I_{VMID}$           | Current into divider at channel 11 <sup>(4)</sup>                | ADC12ON = 1, INCH = 0Bh   | 2.2 V    |     |      | N/A <sup>(5)</sup> | $\mu A$        |
|                      |  |   | 3 V      |     |      | N/A                |                |
| $V_{MID}$            | $AV_{CC}$ divider at channel 11                                  | ADC12ON = 1, INCH = 0Bh,<br>$V_{MID} \approx 0.5 \times V_{AVCC}$   | 2.2 V    |     | 1.1  | 1.1 $\pm 0.04$     | V              |
|                      |  |   | 3 V      |     | 1.5  | 1.5 $\pm 0.04$     |                |
| $t_{VMID(sample)}$   | Sample time required if channel 11 is selected <sup>(6)</sup>    | ADC12ON = 1, INCH = 0Bh,<br>Error of conversion result $\leq 1$ LSB | 2.2 V    |     | 1400 |                    | ns             |
|                      |  |   | 3 V      |     | 1220 |                    |                |

(1) The sensor current  $I_{SENSOR}$  is consumed if (ADC12ON = 1 and REFON = 1), or (ADC12ON = 1 AND INCH = 0Ah and sample signal is high). Therefore, it includes the constant current through the sensor and the reference.

(2) Not production tested, limits characterized

(3) The typical equivalent impedance of the sensor is 51 k $\Omega$ . The sample time required includes the sensor on-time,  $t_{SENSOR(on)}$ .

(4) No additional current is needed. The  $V_{MID}$  is used during sampling.

(5) N/A = Not applicable

(6) The on-time  $t_{VMID(on)}$  is included in the sampling time  $t_{VMID(sample)}$ ; no additional on time is needed.

## 5.29 Flash Memory

over recommended operating supply voltage and free-air temperature (unless otherwise noted)

| PARAMETER           |  | TEST CONDITIONS           | MIN    | TYP    | MAX | UNIT      |
|---------------------|--|---------------------------|--------|--------|-----|-----------|
| $V_{CC(PGM/ERASE)}$ | Program and erase supply voltage                                   |                           | 2.7    |        | 3.6 | V         |
| $f_{FTG}$           | Flash timing generator frequency                                   |                           | 257    |        | 476 | kHz       |
| $I_{PGM}$           | Supply current from $DV_{CC}$ during program                       | $V_{CC} = 2.7$ V or 3.6 V |        | 3      | 5   | mA        |
| $I_{ERASE}$         | Supply current from $DV_{CC}$ during erase                         | $V_{CC} = 2.7$ V or 3.6 V |        | 3      | 7   | mA        |
| $t_{CPT}$           | Cumulative program time <sup>(1)</sup>                             | $V_{CC} = 2.7$ V or 3.6 V |        |        | 4   | ms        |
| $t_{CMERASE}$       | Cumulative mass erase time <sup>(2)</sup>                          | $V_{CC} = 2.7$ V or 3.6 V | 200    |        |     | ms        |
|                     | Program and erase endurance <sup>(3)</sup>                         |                           | $10^4$ | $10^5$ |     | cycles    |
| $t_{Retention}$     | Data retention duration <sup>(3)</sup>                             | $T_J = 25^\circ C$        | 100    |        |     | years     |
| $t_{Word}$          | Word or byte program time <sup>(3)</sup>                           |                           |        | 35     |     | $t_{FTG}$ |
| $t_{Block, 0}$      | Block program time for first byte or word <sup>(3)</sup>           |                           |        | 30     |     | $t_{FTG}$ |
| $t_{Block, 1-63}$   | Block program time for each additional byte or word <sup>(3)</sup> |                           |        | 21     |     | $t_{FTG}$ |
| $t_{Block, End}$    | Block program end-sequence wait time <sup>(3)</sup>                |                           |        | 6      |     | $t_{FTG}$ |
| $t_{Mass Erase}$    | Mass erase time <sup>(3)</sup>                                     |                           |        | 5297   |     | $t_{FTG}$ |
| $t_{Seg Erase}$     | Segment erase time <sup>(3)</sup>                                  |                           |        | 4819   |     | $t_{FTG}$ |

(1) The cumulative program time must not be exceeded when writing to a 64-byte flash block. This parameter applies to all programming methods: individual word or byte write and block write modes.

(2) The mass erase duration generated by the flash timing generator is at least 11.1 ms ( $= 5297 \times 1/f_{FTG}$ , maximum =  $5297 \times 1/476$  kHz). To achieve the required cumulative mass erase time the flash controller mass erase operation can be repeated until this time is met. A worst case minimum of 19 cycles are required.

(3) These values are hardwired into the flash controller state machine ( $t_{FTG} = 1/f_{FTG}$ ).

### 5.30 JTAG Interface

over recommended operating supply voltage and free-air temperature (unless otherwise noted)

| PARAMETER             |  | V <sub>CC</sub> | MIN | TYP | MAX | UNIT |
|-----------------------|--|-----------------|-----|-----|-----|------|
| f <sub>TCK</sub>      | TCK input frequency <sup>(1)</sup>               | 2.2 V           | 0   |     | 5   | MHz  |
|                       |  | 3 V             | 0   |     | 10  |      |
| R <sub>internal</sub> | Internal pullup resistance on TMS, TCK, TDI/TCLK | 2.2 V, 3 V      | 25  | 60  | 90  | kΩ   |

(1) f<sub>TCK</sub> may be restricted to meet the timing requirements of the module selected.

### 5.31 JTAG Fuse <sup>(1)</sup>

over recommended operating supply voltage and free-air temperature (unless otherwise noted)

| PARAMETER           |   | T <sub>A</sub> | MIN | MAX | UNIT |
|---------------------|---|----------------|-----|-----|------|
| V <sub>CC(FB)</sub> | Supply voltage during fuse blow               | 25°C           | 2.5 |     | V    |
| V <sub>FB</sub>     | Voltage level on TDI/TCLK for fuse blow       |                | 6   | 7   | V    |
| I <sub>FB</sub>     | Supply current into TDI/TCLK during fuse blow |                |     | 100 | mA   |
| t <sub>FB</sub>     | Time to blow fuse                             |                |     | 1   | ms   |

(1) After the fuse is blown, no further access to the MSP430 JTAG/Test and emulation features is possible. The JTAG block is switched to bypass mode.

## 6 Detailed Description

### 6.1 CPU

The MSP430 CPU has a 16-bit RISC architecture that is highly transparent to the application. All operations, other than program-flow instructions, are performed as register operations in conjunction with seven addressing modes for source operand and four addressing modes for destination operand.

The CPU is integrated with 16 registers that provide reduced instruction execution time. The register-to-register operation execution time is one cycle of the CPU clock. Four of the registers, R0 to R3, are dedicated as program counter, stack pointer, status register, and constant generator, respectively. The remaining registers are general-purpose registers (see [Figure 6-1](#)).

Peripherals are connected to the CPU using data, address, and control buses, and can be handled with all instructions.

The instruction set consists of the original 51 instructions with three formats and seven address modes and additional instructions for the expanded address range. Each instruction can operate on word and byte data.

|                          |           |
|--------------------------|-----------|
| Program Counter          | PC/R0     |
| Stack Pointer            | SP/R1     |
| Status Register          | SR/CG1/R2 |
| Constant Generator       | CG2/R3    |
| General-Purpose Register | R4        |
| General-Purpose Register | R5        |
| General-Purpose Register | R6        |
| General-Purpose Register | R7        |
| General-Purpose Register | R8        |
| General-Purpose Register | R9        |
| General-Purpose Register | R10       |
| General-Purpose Register | R11       |
| General-Purpose Register | R12       |
| General-Purpose Register | R13       |
| General-Purpose Register | R14       |
| General-Purpose Register | R15       |

**Figure 6-1. CPU Registers**

## 6.2 Instruction set

The instruction set consists of 51 instructions with three formats and seven address modes. Each instruction can operate on word and byte data. [Table 6-1](#) lists examples of the three types of instruction formats, and [Table 6-2](#) lists the address modes.

**Table 6-1. Instruction Word Formats**

| INSTRUCTION FORMAT                          | EXAMPLE    | OPERATION             |
|---|------------|-----------------------|
| Dual operands, source-destination           | ADD R4, R5 | R4 + R5 → R5          |
| Single operands, destination only           | CALL R8    | PC → (TOS), R8 → PC   |
| Relative jump, unconditional or conditional | JNE        | Jump-on-equal bit = 0 |

**Table 6-2. Address Mode Descriptions**

| ADDRESS MODE           | S <sup>(1)</sup> | D <sup>(1)</sup> | SYNTAX           | EXAMPLE           | OPERATION                     |
|------------------------|------------------|------------------|------------------|-------------------|-------------------------------|
| Register               | ✓                | ✓                | MOV Rs, Rd       | MOV R10, R11      | R10 → R11                     |
| Indexed                | ✓                | ✓                | MOV X(Rn), Y(Rm) | MOV 2(R5), 6(R6)  | M(2+R5) → M(6+R6)             |
| Symbolic (PC relative) | ✓                | ✓                | MOV EDE, TONI    |                   | M(EDE) → M(TONI)              |
| Absolute               | ✓                | ✓                | MOV &MEM, &TCDAT |                   | M(MEM) → M(TCDAT)             |
| Indirect               | ✓                |                  | MOV @Rn, Y(Rm)   | MOV @R10, Tab(R6) | M(R10) → M(Tab+R6)            |
| Indirect autoincrement | ✓                |                  | MOV @Rn+, Rm     | MOV @R10+, R11    | M(R10) → R11<br>R10 + 2 → R10 |
| Immediate              | ✓                |                  | MOV #X, TONI     | MOV #45, TONI     | #45 → M(TONI)                 |

(1) S = source, D = destination

## 6.3 Operating Modes

The MSP430F13x, MSP430F14x, and MSP430F14x1 MCUs support one active mode and five software-selectable low-power modes of operation. An interrupt event can wake up the MCU from any of the low-power modes, service the request, and restore back to the low-power mode on return from the interrupt program.

The following operating modes can be configured by software:

- Active mode (AM)
  - All clocks are active
- Low-power mode 0 (LPM0)
  - CPU is disabled
  - ACLK and SMCLK remain active
  - MCLK is disabled
- Low-power mode 1 (LPM1)
  - CPU is disabled
  - ACLK and SMCLK remain active
  - MCLK is disabled
  - DC generator of the DCO is disabled if DCO not used in active mode
- Low-power mode 2 (LPM2)
  - CPU is disabled
  - MCLK and SMCLK are disabled
  - DC generator of the DCO remains enabled
  - ACLK remains active
- Low-power mode 3 (LPM3)
  - CPU is disabled
  - MCLK and SMCLK are disabled
  - DC generator of the DCO is disabled
  - ACLK remains active
- Low-power mode 4 (LPM4)
  - CPU is disabled
  - ACLK is disabled
  - MCLK and SMCLK are disabled
  - DC generator of the DCO is disabled
  - Crystal oscillator is stopped

## 6.4 Interrupt Vector Addresses

The interrupt vectors and the power-up starting address are in the address range 0FFFFh to 0FFE0h. The vector contains the 16-bit address of the appropriate interrupt-handler instruction sequence.

**Table 6-3. Interrupt Sources, Flags, and Vectors**

| INTERRUPT SOURCE   | INTERRUPT FLAG  | SYSTEM INTERRUPT             | WORD ADDRESS | PRIORITY    |
|--|---|------------------------------|--------------|-------------|
| Power up<br>External reset<br>Watchdog<br>Flash memory   | WDTIFG<br>KEYV <sup>(1)</sup>                             | Reset                        | 0FFFEh       | 15, highest |
| NMI<br>Oscillator fault<br>Flash memory access violation | NMIIFG<br>OFIFG<br>ACCVIFG <sup>(1)</sup>                 | (Non)maskable <sup>(2)</sup> | 0FFFCh       | 14          |
| Timer_B7 <sup>(3)</sup>                                  | TBCCR0 CCIFG <sup>(4)</sup>                               | Maskable                     | 0FFFAh       | 13          |
| Timer_B7 <sup>(3)</sup>                                  | TBCCR1 to 6 CCIFGs,<br>TBIFG <sup>(1)(4)</sup>            | Maskable                     | 0FFF8h       | 12          |
| Comparator_A   | CAIFG   | Maskable                     | 0FFF9h       | 11          |
| Watchdog timer   | WDTIFG  | Maskable                     | 0FFF4h       | 10          |
| USART0 receive   | URXIFG0   | Maskable                     | 0FFF2h       | 9           |
| USART0 transmit  | UTXIFG0   | Maskable                     | 0FFF0h       | 8           |
| ADC12 <sup>(5)</sup>                                     | ADC12IFG <sup>(1)(4)</sup>                                | Maskable                     | 0FFEEh       | 7           |
| Timer_A3   | TACCR0 CCIFG <sup>(4)</sup>                               | Maskable                     | 0FFECCh      | 6           |
| Timer_A3   | TACCR1 CCIFG,<br>TACCR2 CCIFG,<br>TAIFG <sup>(1)(4)</sup> | Maskable                     | 0FFEAh       | 5           |
| I/O port P1 (eight flags)                                | P1IFG.0 to P1IFG.7 <sup>(1)(4)</sup>                      | Maskable                     | 0FFE8h       | 4           |
| USART1 receive   | URXIFG1   | Maskable                     | 0FFE6h       | 3           |
| USART1 transmit  | UTXIFG1   | Maskable                     | 0FFE4h       | 2           |
| I/O port P2 (eight flags)                                | P2IFG.0 to P2IFG.7 <sup>(1)(4)</sup>                      | Maskable                     | 0FFE2h       | 1           |
| –  | –   | –                            | 0FFE0h       | 0, lowest   |

(1) Multiple source flags

(2) (Non)maskable: the individual interrupt-enable bit can disable an interrupt event, but the general-interrupt enable can not disable it.

(3) Timer\_B7 in the MSP430F14x(1) MCUs has 7 CCRs, and Timer\_B3 in the MSP430F13x MCUs has 3 CCRs. In Timer\_B3, there are only interrupt flags TBCCR0, TBCCR1, and TBCCR2 CCIFGs and the interrupt-enable bits TBCCTL0, TBCCTL1, and TBCCTL2 CCIEs.

(4) Interrupt flags are located in the module.

(5) ADC12 is not implemented on the MSP430F14x1 devices.

## 6.5 Bootloader (BSL)

The MSP430 BSL lets users program the flash memory or RAM using a UART serial interface. Access to the MSP430 memory through the BSL is protected by a user-defined password. For complete description of the features of the BSL and its implementation, see the [MSP430™ Flash Device Bootloader \(BSL\) User's Guide](#). [Table 6-4](#) lists the pin requirements for the BSL.

**Table 6-4. BSL Pin Requirements and Functions**

| BSL FUNCTION  | PM, PAG, AND RTD PACKAGE PINS |
|---------------|-------------------------------|
| Data transmit | 13 - P1.1                     |
| Data receive  | 22 - P2.2                     |

## 6.6 JTAG Fuse Check Mode

MSP430 MCUs that have the fuse on the TDI/TCLK terminal have a fuse check mode that tests the continuity of the fuse the first time the JTAG port is accessed after a power-on reset (POR). When activated, a fuse check current ( $I_{TF}$ ) of 1 mA at 3 V or 2.5 mA at 5 V can flow from the TDI/TCLK pin to ground if the fuse is not burned. Care must be taken to avoid accidentally activating the fuse check mode and increasing overall system power consumption.

Activation of the fuse check mode occurs with the first negative edge on the TMS pin after power up or if the TMS is being held low during power up. The second positive edge on the TMS pin deactivates the fuse check mode. After deactivation, the fuse check mode remains inactive until another POR occurs. After each POR the fuse check mode has the potential to be activated.

The fuse check current flows only when the fuse check mode is active and the TMS pin is in a low state (see Figure 6-2). Therefore, the additional current flow can be prevented by holding the TMS pin high (default condition).

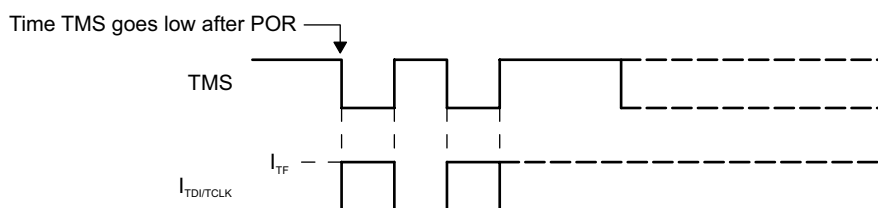


Figure 6-2. Fuse Check Mode Current

## 6.7 Memory

Table 6-5 summarizes the memory map of all device variants.

Table 6-5. Memory Organization

|                        |           | MSP430F133       | MSP430F135       | MSP430F147<br>MSP430F1471 | MSP430F148<br>MSP430F1481 | MSP430F149<br>MSP430F1491 |
|------------------------|-----------|------------------|------------------|---------------------------|---------------------------|---------------------------|
| Memory (flash)         | Size      | 8KB              | 16KB             | 32KB                      | 48KB                      | 60KB                      |
| Main: interrupt vector | Flash     | 0FFFFh to 0FFE0h | 0FFFFh to 0FFE0h | 0FFFFh to 0FFE0h          | 0FFFFh to 0FFE0h          | 0FFFFh to 0FFE0h          |
| Main: code memory      | Flash     | 0FFFFh to 0E000h | 0FFFFh to 0C000h | 0FFFFh to 08000h          | 0FFFFh to 04000h          | 0FFFFh to 01100h          |
| Information memory     | Size      | 256 bytes        | 256 bytes        | 256 bytes                 | 256 bytes                 | 256 bytes                 |
|                        | Flash     | 010FFh to 01000h | 010FFh to 01000h | 010FFh to 01000h          | 010FFh to 01000h          | 010FFh to 01000h          |
| Boot memory            | Size      | 1KB              | 1KB              | 1KB                       | 1KB                       | 1KB                       |
|                        | Flash     | 0FFFh to 0C00h   | 0FFFh to 0C00h   | 0FFFh to 0C00h            | 0FFFh to 0C00h            | 0FFFh to 0C00h            |
| RAM                    | Size      | 256 bytes        | 512 bytes        | 1KB                       | 2KB                       | 2KB                       |
|                        | RAM       | 02FFh to 0200h   | 03FFh to 0200h   | 05FFh to 0200h            | 09FFh to 0200h            | 09FFh to 0200h            |
| Peripherals            | 16-bit    | 01FFh to 0100h   | 01FFh to 0100h   | 01FFh to 0100h            | 01FFh to 0100h            | 01FFh to 0100h            |
|                        | 8-bit     | 0FFh to 010h     | 0FFh to 010h     | 0FFh to 010h              | 0FFh to 010h              | 0FFh to 010h              |
|                        | 8-bit SFR | 0Fh to 00h       | 0Fh to 00h       | 0Fh to 00h                | 0Fh to 00h                | 0Fh to 00h                |

### 6.7.1 Flash Memory

The flash memory can be programmed through the JTAG port, the bootloader, or in-system by the CPU. The CPU can perform single-byte and single-word writes to the flash memory. Features of the flash memory include:

- Flash memory has n segments of main memory and two segments of information memory (A and B) of 128 bytes each. Each segment in main memory is 512 bytes in size.
- Segments 0 to n may be erased in one step, or each segment may be individually erased.
- Segments A and B can be erased individually, or as a group with segments 0 to n. Segments A and B are also called *information memory*.
- New devices may have some bytes programmed in the information memory (needed for test during manufacturing). The user should perform an erase of the information memory prior to the first use.

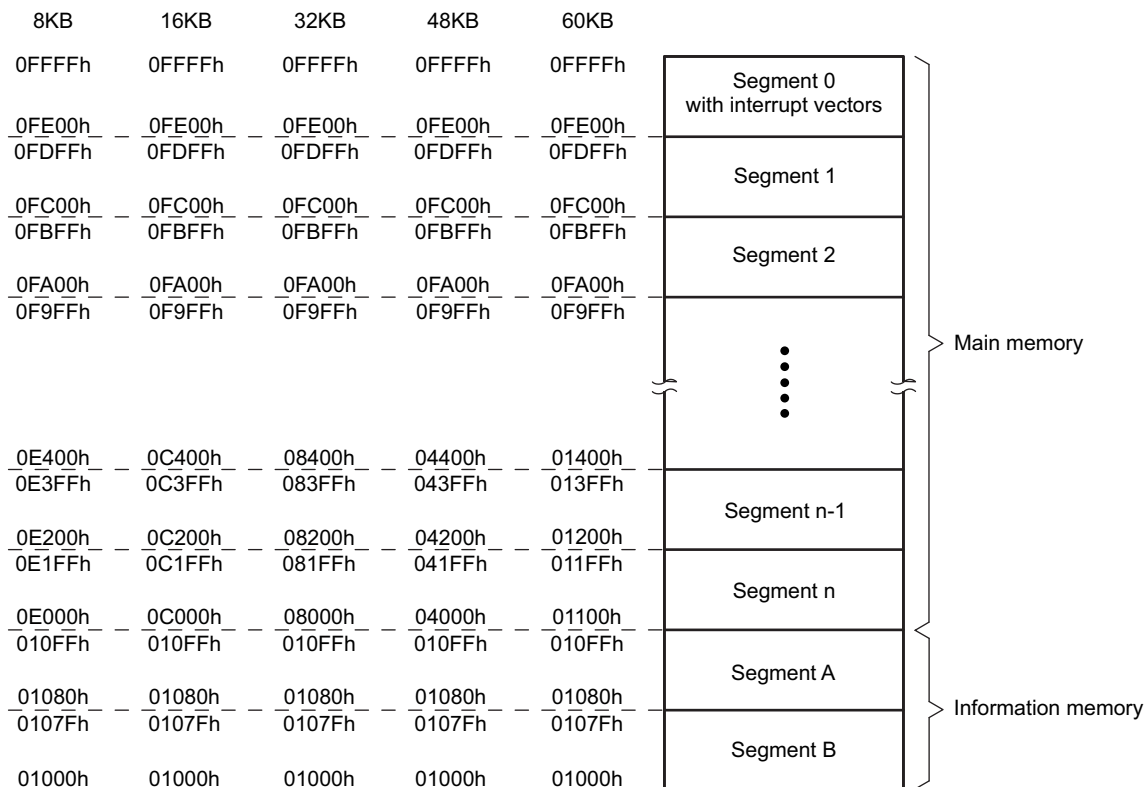


Figure 6-3. Flash Memory

## 6.7.2 Special Function Registers

Most interrupt and module-enable bits are collected in the lowest address space. Special-function register bits not allocated to a functional purpose are not physically present in the device. This arrangement provides simple software access.

**Figure 6-4. Interrupt Enable 1 Bit Register**

| 7      | 6      | 5      | 4     | 3        | 2 | 1     | 0     |
|--------|--------|--------|-------|----------|---|-------|-------|
| UTXIE0 | URXIE0 | ACCVIE | NMIIE | Reserved |   | OFIE  | WDTIE |
| R/W-0  | R/W-0  | R/W-0  | R/W-0 | R-0      |   | R/W-0 | R/W-0 |

**Table 6-6. Interrupt Enable 1 Register Field Descriptions**

| Bit | Field    | Type | Reset | Description  |
|-----|----------|------|-------|--|
| 7   | UTXIE0   | R/W  | 0     | USART0: UART and SPI transmit interrupt enable   |
| 6   | URXIE0   | R/W  | 0     | USART0: UART and SPI receive interrupt enable  |
| 5   | ACCVIE   | R/W  | 0     | Flash access violation interrupt enable  |
| 4   | NMIIE    | R/W  | 0     | Nonmaskable interrupt enable   |
| 3-2 | Reserved | R    | 0     |  |
| 1   | OFIE     | R/W  | 0     | Oscillator-fault interrupt enable  |
| 0   | WDTIE    | R/W  | 0     | Watchdog timer interrupt enable. Inactive if watchdog mode is selected. Active if watchdog timer is configured in interval timer mode. |

**Figure 6-5. Interrupt Enable 2 Bit Register**

| 7        | 6 | 5      | 4      | 3        | 2 | 1 | 0 |
|----------|---|--------|--------|----------|---|---|---|
| Reserved |   | UTXIE1 | URXIE1 | Reserved |   |   |   |
| R-0      |   | R/W-0  | R/W-0  | R-0      |   |   |   |

**Table 6-7. Interrupt Enable 2 Register Field Descriptions**

| Bit | Field    | Type | Reset | Description                                    |
|-----|----------|------|-------|--|
| 7-6 | Reserved | R    | 0     |  |
| 5   | UTXIE1   | R/W  | 0     | USART1: UART and SPI receive interrupt enable  |
| 4   | URXIE1   | R/W  | 0     | USART1: UART and SPI transmit interrupt enable |
| 3-0 | Reserved | R/W  | 0     |  |

**Figure 6-6. Interrupt Flag 1 Bit Register**

| 7       | 6       | 5        | 4      | 3        | 2 | 1     | 0       |
|---------|---------|----------|--------|----------|---|-------|---------|
| UTXIFG0 | URXIFG0 | Reserved | NMIIFG | Reserved |   | OFIFG | WDTIFG  |
| R/W-1   | R/W-0   | R-0      | R/W-0  | R-0      |   | R/W-1 | R/W-(0) |

**Table 6-8. Interrupt Flag 1 Register Field Descriptions**

| Bit | Field    | Type | Reset | Description   |
|-----|----------|------|-------|---|
| 7   | UTXIFG0  | R/W  | 1     | USART0: UART and SPI transmit flag  |
| 6   | URXIFG0  | R/W  | 0     | USART0: UART and SPI receive flag   |
| 5   | Reserved | R    | 0     |   |
| 4   | NMIIFG   | R/W  | 0     | Set by $\overline{\text{RST}}$ /NMI pin   |
| 3-2 | Reserved | R    | 0     |   |
| 1   | OFIFG    | R/W  | 1     | Flag set on oscillator fault  |
| 0   | WDTIFG   | R/W  | (0)   | Set on watchdog timer overflow (in watchdog mode) or security key violation. Reset on $V_{CC}$ power up or a reset condition at the $\overline{\text{RST}}$ /NMI pin in reset mode. |

**Figure 6-7. Interrupt Flag 2 Bit Register**

|          |   |         |         |          |   |   |   |
|----------|---|---------|---------|----------|---|---|---|
| 7        | 6 | 5       | 4       | 3        | 2 | 1 | 0 |
| Reserved |   | UTXIFG1 | URXIFG1 | Reserved |   |   |   |
| R-0      |   | R/W-1   | R/W-0   | R-0      |   |   |   |

**Table 6-9. Interrupt Flag 2 Register Field Descriptions**

| Bit | Field    | Type | Reset | Description                        |
|-----|----------|------|-------|------------------------------------|
| 7-6 | Reserved | R    | 0     |                                    |
| 5   | UTXIFG1  | R/W  | 1     | USART1: UART and SPI transmit flag |
| 4   | URXIFG1  | R/W  | 0     | USART1: UART and SPI receive flag  |
| 3-0 | Reserved | R    | 0     |                                    |

**Figure 6-8. Module Enable 1 Bit Register**

|       |                 |          |   |   |   |   |   |
|-------|-----------------|----------|---|---|---|---|---|
| 7     | 6               | 5        | 4 | 3 | 2 | 1 | 0 |
| UTXE0 | URXE0<br>USPIE0 | Reserved |   |   |   |   |   |
| R/W-0 | R/W-0           | R-0      |   |   |   |   |   |

**Table 6-10. Module Enable 1 Bit Register Field Descriptions**

| Bit | Field           | Type | Reset | Description   |
|-----|-----------------|------|-------|---|
| 7   | UTXE0           | R/W  | 0     | USART0: UART transmit enable  |
| 6   | URXE0<br>USPIE0 | R/W  | 0     | USART0: UART receive enable<br>USART0: SPI (synchronous peripheral interface) transmit and receive enable |
| 5-0 | Reserved        | R    | 0     |   |

**Figure 6-9. Module Enable 2 Bit Register**

|          |   |       |                 |          |   |   |   |
|----------|---|-------|-----------------|----------|---|---|---|
| 7        | 6 | 5     | 4               | 3        | 2 | 1 | 0 |
| Reserved |   | UTXE1 | URXE1<br>USPIE1 | Reserved |   |   |   |
| R-0      |   | R/W-0 | R/W-0           | R-0      |   |   |   |

**Table 6-11. Module Enable 2 Bit Register Field Descriptions**

| Bit | Field           | Type | Reset | Description   |
|-----|-----------------|------|-------|---|
| 7-6 | Reserved        | R    | 0     |   |
| 5   |                 | R/W  | 0     | USART1: UART transmit enable  |
| 4   | URXE1<br>USPIE1 | R/W  | 0     | USART1: UART receive enable<br>USART1: SPI (synchronous peripheral interface) transmit and receive enable |
| 3-0 | Reserved        | R    | 0     |   |

## 6.8 Peripherals

Peripherals are connected to the CPU through data, address, and control buses and can be handled using all instructions. For complete module descriptions, see the [MSP430x1xx Family User's Guide](#).

### 6.8.1 Digital I/O

Six 8-bit I/O ports are implemented: ports P1 to P6:

- All individual I/O bits are independently programmable.
- Any combination of input, output, and interrupt conditions is possible.
- Edge-selectable interrupt input capability for all the eight bits of ports P1 and P2.
- Read and write access to port-control registers is supported by all instructions.

### 6.8.2 Oscillator and System Clock

The clock system is supported by the basic clock module that includes support for a 32768-Hz watch crystal oscillator, an internal digitally controlled oscillator (DCO), and a high-frequency crystal oscillator. The basic clock module is designed to meet the requirements of both low system cost and low power consumption. The internal DCO provides a fast turn-on clock source and stabilizes in less than 6  $\mu$ s. The basic clock module provides the following clock signals:

- Auxiliary clock (ACLK), sourced from a 32768-Hz watch crystal or a high-frequency crystal
- Main clock (MCLK), the system clock used by the CPU
- Sub-Main clock (SMCLK), the subsystem clock used by the peripheral modules

### 6.8.3 Watchdog Timer (WDT)

The primary function of the WDT module is to perform a controlled system restart after a software problem occurs. If the selected time interval expires, a system reset is generated. If the watchdog function is not needed in an application, the module can be configured as an interval timer and can generate interrupts at selected time intervals.

### 6.8.4 Hardware Multiplier (MSP430F14x and MSP430F14x1 Only)

The multiplication operation is supported by a dedicated peripheral module. The module performs  $16 \times 16$ ,  $16 \times 8$ ,  $8 \times 16$ , and  $8 \times 8$  bit operations. The module is capable of supporting signed and unsigned multiplication as well as signed and unsigned multiply and accumulate operations. The result of an operation can be accessed immediately after the operands have been loaded into the peripheral registers. No additional clock cycles are required.

### 6.8.5 USART0

The hardware universal synchronous/asynchronous receive transmit (USART0) peripheral module is used for serial data communication. The USART supports synchronous SPI (3 or 4 pin) and asynchronous UART communication protocols, using double-buffered transmit and receive channels.

### 6.8.6 USART1 (MSP430F14x and MSP430F14x1 Only)

The MSP430F14x(1) has a second hardware universal synchronous/asynchronous receive transmit (USART1) peripheral module that is used for serial data communication. The USART supports synchronous SPI (3 or 4 pin) and asynchronous UART communication protocols, using double-buffered transmit and receive channels. Operation of USART1 is identical to USART0.

### 6.8.7 Comparator\_A

The primary function of the Comparator\_A module is to support precision slope analog-to-digital conversions, battery-voltage supervision, and monitoring of external analog signals.

### 6.8.8 ADC12 (MSP430F14x and MSP430F13x Only)

The ADC12 module supports fast 12-bit analog-to-digital conversions. The module implements a 12-bit SAR core, sample select control, reference generator, and a 16-word conversion-and-control buffer. The conversion-and-control buffer allows up to 16 independent ADC samples to be converted and stored without CPU intervention.

### 6.8.9 Timer\_A3

Timer\_A3 is a 16-bit timer/counter with three capture/compare registers. Timer\_A3 can support multiple capture/compares, PWM outputs, and interval timing (see [Table 6-12](#)). Timer\_A3 also has extensive interrupt capabilities. Interrupts may be generated from the counter on overflow conditions and from each of the capture/compare registers.

**Table 6-12. Timer\_A3 Signal Connections**

| INPUT PIN NUMBER | DEVICE INPUT SIGNAL | MODULE INPUT NAME | MODULE BLOCK | MODULE OUTPUT SIGNAL | OUTPUT PIN NUMBER |
|------------------|---------------------|-------------------|--------------|----------------------|-------------------|
| 12 - P1.0        | TACLK               | TACLK             | Timer        | NA                   |                   |
|                  | ACLK                | ACLK              |              |                      |                   |
|                  | SMCLK               | SMCLK             |              |                      |                   |
| 21 - P2.1        | TAINCLK             | INCLK             |              |                      |                   |
| 13 - P1.1        | TA0                 | CCI0A             | CCR0         | TA0                  | 13 - P1.1         |
| 22 - P2.2        | TA0                 | CCI0B             |              |                      | 17 - P1.5         |
|                  | DV <sub>SS</sub>    | GND               |              |                      | 27 - P2.7         |
|                  | DV <sub>CC</sub>    | VCC               |              |                      |                   |
| 14 - P1.2        | TA1                 | CCI1A             | CCR1         | TA1                  |                   |
|                  | CAOUT (internal)    | CCI1B             |              |                      |                   |
|                  | DV <sub>SS</sub>    | GND               |              |                      |                   |
|                  | DV <sub>CC</sub>    | VCC               |              |                      |                   |
| 15 - P1.3        | TA2                 | CCI2A             | CCR2         | TA2                  |                   |
|                  | ACLK (internal)     | CCI2B             |              |                      |                   |
|                  | DV <sub>SS</sub>    | GND               |              |                      |                   |
|                  | DV <sub>CC</sub>    | VCC               |              |                      |                   |

### 6.8.10 Timer\_B3 (MSP430F13x Only)

Timer\_B3 is a 16-bit timer/counter with three capture/compare registers. Timer\_B3 can support multiple capture/compares, PWM outputs, and interval timing (see [Table 6-13](#)). Timer\_B3 also has extensive interrupt capabilities. Interrupts may be generated from the counter on overflow conditions and from each of the capture/compare registers.

### 6.8.11 Timer\_B7 (MSP430F14x and MSP430F14x1 Only)

Timer\_B7 is a 16-bit timer/counter with seven capture/compare registers. Timer\_B7 can support multiple capture/compares, PWM outputs, and interval timing (see [Table 6-13](#)). Timer\_B7 also has extensive interrupt capabilities. Interrupts may be generated from the counter on overflow conditions and from each of the capture/compare registers.

**Table 6-13. Timer\_B3 and Timer\_B7 Signal Connections<sup>(1)</sup>**

| INPUT PIN NUMBER | DEVICE INPUT SIGNAL | MODULE INPUT NAME | MODULE BLOCK | MODULE OUTPUT SIGNAL | OUTPUT PIN NUMBER |
|------------------|---------------------|-------------------|--------------|----------------------|-------------------|
| 43 - P4.7        | TBCLK               | TBCLK             | Timer        | NA                   |                   |
|                  | ACLK                | ACLK              |              |                      |                   |
|                  | SMCLK               | SMCLK             |              |                      |                   |
| 43 - P4.7        | TBCLK               | INCLK             |              |                      |                   |
| 36 - P4.0        | TB0                 | CCI0A             | CCR0         | TB0                  | 36 - P4.0         |
| 36 - P4.0        | TB0                 | CCI0B             |              |                      | ADC12 (internal)  |
|                  | DV <sub>SS</sub>    | GND               |              |                      |                   |
|                  | DV <sub>CC</sub>    | VCC               |              |                      |                   |
| 37 - P4.1        | TB1                 | CCI1A             | CCR1         | TB1                  | 37 - P4.1         |
| 37 - P4.1        | TB1                 | CCI1B             |              |                      | ADC12 (internal)  |
|                  | DV <sub>SS</sub>    | GND               |              |                      |                   |
|                  | DV <sub>CC</sub>    | V <sub>CC</sub>   |              |                      |                   |
| 38 - P4.2        | TB2                 | CCI2A             | CCR2         | TB2                  | 38 - P4.2         |
| 38 - P4.2        | TB2                 | CCI2B             |              |                      |                   |
|                  | DV <sub>SS</sub>    | GND               |              |                      |                   |
|                  | DV <sub>CC</sub>    | V <sub>CC</sub>   |              |                      |                   |
| 39 - P4.3        | TB3                 | CCI3A             | CCR3         | TB3                  | 39 - P4.3         |
| 39 - P4.3        | TB3                 | CCI3B             |              |                      |                   |
|                  | DV <sub>SS</sub>    | GND               |              |                      |                   |
|                  | DV <sub>CC</sub>    | V <sub>CC</sub>   |              |                      |                   |
| 40 - P4.4        | TB4                 | CCI4A             | CCR4         | TB4                  | 40 - P4.4         |
| 40 - P4.4        | TB4                 | CCI4B             |              |                      |                   |
|                  | DV <sub>SS</sub>    | GND               |              |                      |                   |
|                  | DV <sub>CC</sub>    | V <sub>CC</sub>   |              |                      |                   |
| 41 - P4.5        | TB5                 | CCI5A             | CCR5         | TB5                  | 41 - P4.5         |
| 41 - P4.5        | TB5                 | CCI5B             |              |                      |                   |
|                  | DV <sub>SS</sub>    | GND               |              |                      |                   |
|                  | DV <sub>CC</sub>    | V <sub>CC</sub>   |              |                      |                   |
| 42 - P4.6        | TB6                 | CCI6A             | CCR6         | TB6                  | 42 - P4.6         |
|                  | ACLK (internal)     | CCI6B             |              |                      |                   |
|                  | DV <sub>SS</sub>    | GND               |              |                      |                   |
|                  | DV <sub>CC</sub>    | V <sub>CC</sub>   |              |                      |                   |

(1) Timer\_B3 implements three capture/compare blocks (CCR0, CCR1 and CCR2).

## 6.8.12 Peripheral File Map

Table 6-14 lists the peripheral register that support word access. See Table 6-15 for the registers with byte access.

**Table 6-14. Peripherals With Word Access**

| MODULE             | REGISTER NAME                                    | ACRONYM | ADDRESS |
|--------------------|--|---------|---------|
| Watchdog           | Watchdog timer control                           | WDTCTL  | 0120h   |
| Timer_B7, Timer_B3 | Timer_B interrupt vector                         | TBIV    | 011Eh   |
|                    | Timer_B control                                  | TBCTL   | 0180h   |
|                    | Timer_B capture/compare control 0                | TBCCTL0 | 0182h   |
|                    | Timer_B capture/compare control 1                | TBCCTL1 | 0184h   |
|                    | Timer_B capture/compare control 2                | TBCCTL2 | 0186h   |
|                    | Timer_B capture/compare control 3 <sup>(1)</sup> | TBCCTL3 | 0188h   |
|                    | Timer_B capture/compare control 4 <sup>(1)</sup> | TBCCTL4 | 018Ah   |
|                    | Timer_B capture/compare control 5 <sup>(1)</sup> | TBCCTL5 | 018Ch   |
|                    | Timer_B capture/compare control 6 <sup>(1)</sup> | TBCCTL6 | 018Eh   |
|                    | Timer_B counter                                  | TBR     | 0190h   |
|                    | Timer_B capture/compare 0                        | TBCCR0  | 0192h   |
|                    | Timer_B capture/compare 1                        | TBCCR1  | 0194h   |
|                    | Timer_B capture/compare 2                        | TBCCR2  | 0196h   |
|                    | Timer_B capture/compare 3 <sup>(1)</sup>         | TBCCR3  | 0198h   |
|                    | Timer_B capture/compare 4 <sup>(1)</sup>         | TBCCR4  | 019Ah   |
|                    | Timer_B capture/compare 5 <sup>(1)</sup>         | TBCCR5  | 019Ch   |
|                    | Timer_B capture/compare 6 <sup>(1)</sup>         | TBCCR6  | 019Eh   |
| Timer_A3           | Timer_A interrupt vector                         | TAIV    | 012Eh   |
|                    | Timer_A control                                  | TACTL   | 0160h   |
|                    | Timer_A capture/compare control 0                | TACCTL0 | 0162h   |
|                    | Timer_A capture/compare control 1                | TACCTL1 | 0164h   |
|                    | Timer_A capture/compare control 2                | TACCTL2 | 0166h   |
|                    | Reserved   |         | 0168h   |
|                    | Reserved   |         | 016Ah   |
|                    | Reserved   |         | 016Ch   |
|                    | Reserved   |         | 016Eh   |
|                    | Timer_A counter                                  | TAR     | 0170h   |
|                    | Timer_A capture/compare 0                        | TACCR0  | 0172h   |
|                    | Timer_A capture/compare 1                        | TACCR1  | 0174h   |
|                    | Timer_A capture/compare 2                        | TACCR2  | 0176h   |
|                    | Reserved   |         | 0178h   |
|                    | Reserved   |         | 017Ah   |
|                    | Reserved   |         | 017Ch   |
|                    | Reserved   |         | 017Eh   |

(1) Timer\_B7 only, reserved for Timer\_B3

**Table 6-14. Peripherals With Word Access (continued)**

| MODULE  | REGISTER NAME                            | ACRONYM | ADDRESS |
|---|--|---------|---------|
| Hardware multiplier<br>(MSP430F14x and<br>MSP430F14x1 only) | Sum extend                               | SUMEXT  | 013Eh   |
|   | Result high word                         | RESHI   | 013Ch   |
|   | Result low word                          | RESLO   | 013Ah   |
|   | Operand 2                                | OP2     | 0138h   |
|   | Multiply signed and accumulate operand 1 | MACS    | 0136h   |
|   | Multiply and accumulate operand 1        | MAC     | 0134h   |
|   | Multiply signed operand 1                | MPYS    | 0132h   |
|   | Multiply unsigned operand 1              | MPY     | 0130h   |
| Flash   | Flash control 3                          | FCTL1   | 012Ch   |
|   | Flash control 2                          | FCTL2   | 012Ah   |
|   | Flash control 1                          | FCTL1   | 0128h   |

**Table 6-14. Peripherals With Word Access (continued)**

| MODULE                     | REGISTER NAME         | ACRONYM     | ADDRESS |
|----------------------------|-----------------------|-------------|---------|
| ADC12 (not in MSP430F14x1) | Conversion memory 15  | ADC12MEM15  | 015Eh   |
|                            | Conversion memory 14  | ADC12MEM14  | 015Ch   |
|                            | Conversion memory 13  | ADC12MEM13  | 015Ah   |
|                            | Conversion memory 12  | ADC12MEM12  | 0158h   |
|                            | Conversion memory 11  | ADC12MEM11  | 0156h   |
|                            | Conversion memory 10  | ADC12MEM10  | 0154h   |
|                            | Conversion memory 9   | ADC12MEM9   | 0152h   |
|                            | Conversion memory 8   | ADC12MEM8   | 0150h   |
|                            | Conversion memory 7   | ADC12MEM7   | 014Eh   |
|                            | Conversion memory 6   | ADC12MEM6   | 014Ch   |
|                            | Conversion memory 5   | ADC12MEM5   | 014Ah   |
|                            | Conversion memory 4   | ADC12MEM4   | 0148h   |
|                            | Conversion memory 3   | ADC12MEM3   | 0146h   |
|                            | Conversion memory 2   | ADC12MEM2   | 0144h   |
|                            | Conversion memory 1   | ADC12MEM1   | 0142h   |
|                            | Conversion memory 0   | ADC12MEM0   | 0140h   |
|                            | Interrupt vector word | ADC12IV     | 01A8h   |
|                            | Interrupt enable      | ADC12IE     | 01A6h   |
|                            | Interrupt flag        | ADC12IFG    | 01A4h   |
|                            | ADC control 1         | ADC12CTL1   | 01A2h   |
|                            | ADC control 0         | ADC12CTL0   | 01A0h   |
|                            | ADC memory control 15 | ADC12MCTL15 | 08Fh    |
|                            | ADC memory control 14 | ADC12MCTL14 | 08Eh    |
|                            | ADC memory control 13 | ADC12MCTL13 | 08Dh    |
|                            | ADC memory control 12 | ADC12MCTL12 | 08Ch    |
|                            | ADC memory control 11 | ADC12MCTL11 | 08Bh    |
|                            | ADC memory control 10 | ADC12MCTL10 | 08Ah    |
|                            | ADC memory control 9  | ADC12MCTL9  | 089h    |
|                            | ADC memory control 8  | ADC12MCTL8  | 088h    |
|                            | ADC memory control 7  | ADC12MCTL7  | 087h    |
|                            | ADC memory control 6  | ADC12MCTL6  | 086h    |
|                            | ADC memory control 5  | ADC12MCTL5  | 085h    |
|                            | ADC memory control 4  | ADC12MCTL4  | 084h    |
|                            | ADC memory control 3  | ADC12MCTL3  | 083h    |
| ADC memory control 2       | ADC12MCTL2            | 082h        |         |
| ADC memory control 1       | ADC12MCTL1            | 081h        |         |
| ADC memory control 0       | ADC12MCTL0            | 080h        |         |

Table 6-15 lists the peripheral register that support byte access. See Table 6-14 for the registers with word access.

**Table 6-15. Peripherals With Byte Access**

| MODULE                                   | REGISTER NAME                | ACRONYM | ADDRESS |
|--|------------------------------|---------|---------|
| USART1 (MSP430F14x and MSP430F14x1 only) | Transmit buffer              | U1TXBUF | 07Fh    |
|  | Receive buffer               | U1RXBUF | 07Eh    |
|  | Baud rate 1                  | U1BR1   | 07Dh    |
|  | Baud rate 0                  | U1BR0   | 07Ch    |
|  | Modulation control           | U1MCTL  | 07Bh    |
|  | Receive control              | U1RCTL  | 07Ah    |
|  | Transmit control             | U1TCTL  | 079h    |
|  | USART control                | U1CTL   | 078h    |
| USART0                                   | Transmit buffer              | U0TXBUF | 077h    |
|  | Receive buffer               | U0RXBUF | 076h    |
|  | Baud rate 1                  | U0BR1   | 075h    |
|  | Baud rate 0                  | U0BR0   | 074h    |
|  | Modulation control           | U0MCTL  | 073h    |
|  | Receive control              | U0RCTL  | 072h    |
|  | Transmit control             | U0TCTL  | 071h    |
|  | USART control                | U0CTL   | 070h    |
| Comparator_A                             | Comparator_A port disable    | CAPD    | 05Bh    |
|  | Comparator_A control 2       | CACTL2  | 05Ah    |
|  | Comparator_A control 1       | CACTL1  | 059h    |
| Basic Clock                              | Basic clock system control 2 | BCSCTL2 | 058h    |
|  | Basic clock system control 1 | BCSCTL1 | 057h    |
|  | DCO clock frequency control  | DCOCTL  | 056h    |
| Port P6                                  | Port P6 selection            | P6SEL   | 037h    |
|  | Port P6 direction            | P6DIR   | 036h    |
|  | Port P6 output               | P6OUT   | 035h    |
|  | Port P6 input                | P6IN    | 034h    |
| Port P5                                  | Port P5 selection            | P5SEL   | 033h    |
|  | Port P5 direction            | P5DIR   | 032h    |
|  | Port P5 output               | P5OUT   | 031h    |
|  | Port P5 input                | P5IN    | 030h    |
| Port P4                                  | Port P4 selection            | P4SEL   | 01Fh    |
|  | Port P4 direction            | P4DIR   | 01Eh    |
|  | Port P4 output               | P4OUT   | 01Dh    |
|  | Port P4 input                | P4IN    | 01Ch    |
| Port P3                                  | Port P3 selection            | P3SEL   | 01Bh    |
|  | Port P3 direction            | P3DIR   | 01Ah    |
|  | Port P3 output               | P3OUT   | 019h    |
|  | Port P3 input                | P3IN    | 018h    |

**Table 6-15. Peripherals With Byte Access (continued)**

| MODULE            | REGISTER NAME                 | ACRONYM | ADDRESS |
|-------------------|-------------------------------|---------|---------|
| Port P2           | Port P2 selection             | P2SEL   | 02Eh    |
|                   | Port P2 interrupt enable      | P2IE    | 02Dh    |
|                   | Port P2 interrupt edge select | P2IES   | 02Ch    |
|                   | Port P2 interrupt flag        | P2IFG   | 02Bh    |
|                   | Port P2 direction             | P2DIR   | 02Ah    |
|                   | Port P2 output                | P2OUT   | 029h    |
|                   | Port P2 input                 | P2IN    | 028h    |
| Port P1           | Port P1 selection             | P1SEL   | 026h    |
|                   | Port P1 interrupt enable      | P1IE    | 025h    |
|                   | Port P1 interrupt edge select | P1IES   | 024h    |
|                   | Port P1 interrupt flag        | P1IFG   | 023h    |
|                   | Port P1 direction             | P1DIR   | 022h    |
|                   | Port P1 output                | P1OUT   | 021h    |
|                   | Port P1 input                 | P1IN    | 020h    |
| Special Functions | SFR module enable 2           | ME2     | 005h    |
|                   | SFR module enable 1           | ME1     | 004h    |
|                   | SFR interrupt flag 2          | IFG2    | 003h    |
|                   | SFR interrupt flag 1          | IFG1    | 002h    |
|                   | SFR interrupt enable 2        | IE2     | 001h    |
|                   | SFR interrupt enable 1        | IE1     | 000h    |

## 6.9 Input/Output Diagrams

### 6.9.1 Port P1, Input/Output With Schmitt Trigger



Figure 6-10. Port P1 (P1.0 to P1.7) Diagram

Table 6-16. Port P1 (P1.0 to P1.7) Pin Functions

| PnSel.x | PnDIR.x | DIRECTION CONTROL FROM MODULE | PnOUT.x | MODULE X OUT               | PnIN.x | MODULE X IN          | PnIE.x | PnIFG.x | PnIES.x |
|---------|---------|-------------------------------|---------|----------------------------|--------|----------------------|--------|---------|---------|
| P1Sel.0 | P1DIR.0 | P1DIR.0                       | P1OUT.0 | DV <sub>SS</sub>           | P1IN.0 | TACLK <sup>(1)</sup> | P1IE.0 | P1IFG.0 | P1IES.0 |
| P1Sel.1 | P1DIR.1 | P1DIR.1                       | P1OUT.1 | Out0 signal <sup>(1)</sup> | P1IN.1 | CCI0A <sup>(1)</sup> | P1IE.1 | P1IFG.1 | P1IES.1 |
| P1Sel.2 | P1DIR.2 | P1DIR.2                       | P1OUT.2 | Out1 signal <sup>(1)</sup> | P1IN.2 | CCI1A <sup>(1)</sup> | P1IE.2 | P1IFG.2 | P1IES.2 |
| P1Sel.3 | P1DIR.3 | P1DIR.3                       | P1OUT.3 | Out2 signal <sup>(1)</sup> | P1IN.3 | CCI2A <sup>(1)</sup> | P1IE.3 | P1IFG.3 | P1IES.3 |
| P1Sel.4 | P1DIR.4 | P1DIR.4                       | P1OUT.4 | SMCLK                      | P1IN.4 | unused               | P1IE.4 | P1IFG.4 | P1IES.4 |
| P1Sel.5 | P1DIR.5 | P1DIR.5                       | P1OUT.5 | Out0 signal <sup>(1)</sup> | P1IN.5 | unused               | P1IE.5 | P1IFG.5 | P1IES.5 |
| P1Sel.6 | P1DIR.6 | P1DIR.6                       | P1OUT.6 | Out1 signal <sup>(1)</sup> | P1IN.6 | unused               | P1IE.6 | P1IFG.6 | P1IES.6 |
| P1Sel.7 | P1DIR.7 | P1DIR.7                       | P1OUT.7 | Out2 signal <sup>(1)</sup> | P1IN.7 | unused               | P1IE.7 | P1IFG.7 | P1IES.7 |

(1) Signal from or to Timer\_A

### 6.9.2 Port P2, Input/Output With Schmitt Trigger



Figure 6-11. Port P2 (P2.0 to P2.2, P2.6, and P2.7) Diagram

Table 6-17. Port P2 (P2.0 to P2.2, P2.6, and P2.7) Pin Functions

| PnSel.x | PnDIR.x | DIRECTION CONTROL FROM MODULE | PnOUT.x | MODULE X OUT               | PnIN.x | MODULE X IN          | PnIE.x | PnIFG.x | PnIES.x |
|---------|---------|-------------------------------|---------|----------------------------|--------|----------------------|--------|---------|---------|
| P2Sel.0 | P2DIR.0 | P2DIR.0                       | P2OUT.0 | ACLK                       | P2IN.0 | unused               | P2IE.0 | P2IFG.0 | P2IES.0 |
| P2Sel.1 | P2DIR.1 | P2DIR.1                       | P2OUT.1 | DV <sub>SS</sub>           | P2IN.1 | INCLK <sup>(1)</sup> | P2IE.1 | P2IFG.1 | P2IES.1 |
| P2Sel.2 | P2DIR.2 | P2DIR.2                       | P2OUT.2 | CAOUT <sup>(2)</sup>       | P2IN.2 | CCI0B <sup>(1)</sup> | P2IE.2 | P2IFG.2 | P2IES.2 |
| P2Sel.6 | P2DIR.6 | P2DIR.6                       | P2OUT.6 | ADC12CLK <sup>(3)</sup>    | P2IN.6 | unused               | P2IE.6 | P2IFG.6 | P2IES.6 |
| P2Sel.7 | P2DIR.7 | P2DIR.7                       | P2OUT.7 | Out0 signal <sup>(4)</sup> | P2IN.7 | unused               | P2IE.7 | P2IFG.7 | P2IES.7 |

- (1) Signal to Timer\_A
- (2) Signal from Comparator\_A
- (3) ADC12CLK signal is output of the 12-bit ADC module
- (4) Signal from Timer\_A



Figure 6-12. Port P2 (P2.3 and P2.4) Diagram

Table 6-18. Port P2 (P2.3 and P2.4) Pin Functions

| PnSel.x | PnDIR.x | DIRECTION CONTROL FROM MODULE | PnOUT.x | MODULE X OUT               | PnIN.x | MODULE X IN | PnIE.x | PnIFG.x | PnIES.x |
|---------|---------|-------------------------------|---------|----------------------------|--------|-------------|--------|---------|---------|
| P2Sel.3 | P2DIR.3 | P2DIR.3                       | P2OUT.3 | Out1 signal <sup>(1)</sup> | P2IN.3 | unused      | P2IE.3 | P2IFG.3 | P2IES.3 |
| P2Sel.4 | P2DIR.4 | P2DIR.4                       | P2OUT.4 | Out2 signal <sup>(1)</sup> | P2IN.4 | unused      | P2IE.4 | P2IFG.4 | P2IES.4 |

(1) Signal from Timer\_A



Figure 6-13. Port P2 (P2.5) Diagram

Table 6-19. Port P2 (P2.5) Pin Functions

| PnSel.x | PnDIR.x | DIRECTION CONTROL FROM MODULE | PnOUT.x | MODULE X OUT     | PnIN.x | MODULE X IN | PnIE.x | PnIFG.x | PnIES.x |
|---------|---------|-------------------------------|---------|------------------|--------|-------------|--------|---------|---------|
| P2Sel.5 | P2DIR.5 | P2DIR.5                       | P2OUT.5 | DV <sub>SS</sub> | P2IN.5 | unused      | P2IE.5 | P2IFG.5 | P2IES.5 |

### 6.9.3 Port P3, Input/Output With Schmitt Trigger



Figure 6-14. Port P3 (P3.0 and 3.4 to 3.7) Diagram

Table 6-20. Port P3 (P3.0 and 3.4 to 3.7) Pin Functions

| PnSel.x | PnDIR.x | DIRECTION CONTROL FROM MODULE | PnOUT.x | MODULE X OUT         | PnIN.x | MODULE X IN          |
|---------|---------|-------------------------------|---------|----------------------|--------|----------------------|
| P3Sel.0 | P3DIR.0 | DV <sub>SS</sub>              | P3OUT.0 | DV <sub>SS</sub>     | P3IN.0 | STE0                 |
| P3Sel.4 | P3DIR.4 | DV <sub>CC</sub>              | P3OUT.4 | UTXD0 <sup>(1)</sup> | P3IN.4 | Unused               |
| P3Sel.5 | P3DIR.5 | DV <sub>SS</sub>              | P3OUT.5 | DV <sub>SS</sub>     | P3IN.5 | URXD0 <sup>(2)</sup> |
| P3Sel.6 | P3DIR.6 | DV <sub>CC</sub>              | P3OUT.6 | UTXD1 <sup>(3)</sup> | P3IN.6 | unused               |
| P3Sel.7 | P3DIR.7 | DV <sub>SS</sub>              | P3OUT.7 | DV <sub>SS</sub>     | P3IN.7 | URXD1 <sup>(4)</sup> |

- (1) Output from USART0 module
- (2) Input to USART0 module
- (3) Output from USART1 module in MSP430F14x and MSP430F14x1 devices, DV<sub>SS</sub> in MSP430F13x devices
- (4) Input to USART1 module in MSP430F14x and MSP430F14x1 devices, unused in MSP430F13x devices



Figure 6-15. Port P3 (P3.1) Diagram



Figure 6-16. Port P3 (P3.2) Diagram



NOTE: UART mode: The UART clock can only be an input. If UART mode and UART function are selected, P3.3/UCLK0 is always an input.  
SPI slave mode: The clock applied to UCLK0 is used to shift data in and out.  
SPI master mode: The clock to shift data in and out is supplied to connected devices on pin P3.3/UCLK0 (in slave mode).

Figure 6-17. Port P3 (P3.3) Diagram

### 6.9.4 Port P4, Input/Output With Schmitt Trigger



Figure 6-18. Port P4 (P4.0 to P4.6) Diagram

Table 6-21. Port P4 (P4.0 to P4.6) Pin Functions

| PnSel.x | PnDIR.x | DIRECTION CONTROL FROM MODULE | PnOUT.x | MODULE X OUT               | PnIN.x | MODULE X IN                  |
|---------|---------|-------------------------------|---------|----------------------------|--------|------------------------------|
| P4Sel.0 | P4DIR.0 | P4DIR.0                       | P4OUT.0 | Out0 signal <sup>(1)</sup> | P4IN.0 | CCI0A / CCI0B <sup>(2)</sup> |
| P4Sel.1 | P4DIR.1 | P4DIR.1                       | P4OUT.1 | Out1 signal <sup>(1)</sup> | P4IN.1 | CCI1A / CCI1B <sup>(2)</sup> |
| P4Sel.2 | P4DIR.2 | P4DIR.2                       | P4OUT.2 | Out2 signal <sup>(1)</sup> | P4IN.2 | CCI2A / CCI2B <sup>(2)</sup> |
| P4Sel.3 | P4DIR.3 | P4DIR.3                       | P4OUT.3 | Out3 signal <sup>(1)</sup> | P4IN.3 | CCI3A / CCI3B <sup>(2)</sup> |
| P4Sel.4 | P4DIR.4 | P4DIR.4                       | P4OUT.4 | Out4 signal <sup>(1)</sup> | P4IN.4 | CCI4A / CCI4B <sup>(2)</sup> |
| P4Sel.5 | P4DIR.5 | P4DIR.5                       | P4OUT.5 | Out5 signal <sup>(1)</sup> | P4IN.5 | CCI5A / CCI5B <sup>(2)</sup> |
| P4Sel.6 | P4DIR.6 | P4DIR.6                       | P4OUT.6 | Out6 signal <sup>(1)</sup> | P4IN.6 | CCI6A <sup>(2)</sup>         |

(1) Signal from Timer\_B

(2) Signal to Timer\_B



Figure 6-19. Port P4 (P4.7) Diagram

### 6.9.5 Port P5, Input/Output With Schmitt Trigger



Figure 6-20. Port P5 (P5.0 and P5.4 to P5.7) Diagram

Table 6-22. Port P5 (P5.0 and P5.4 to P5.7) Pin Functions

| PnSel.x | PnDIR.x | DIRECTION CONTROL FROM MODULE | PnOUT.x | MODULE X OUT     | PnIN.x | MODULE X IN           |
|---------|---------|-------------------------------|---------|------------------|--------|-----------------------|
| P5Sel.0 | P5DIR.0 | DV <sub>SS</sub>              | P5OUT.0 | DV <sub>SS</sub> | P5IN.0 | STE.1                 |
| P5Sel.4 | P5DIR.4 | DV <sub>CC</sub>              | P5OUT.4 | MCLK             | P5IN.4 | unused                |
| P5Sel.5 | P5DIR.5 | DV <sub>CC</sub>              | P5OUT.5 | SMCLK            | P5IN.5 | unused                |
| P5Sel.6 | P5DIR.6 | DV <sub>CC</sub>              | P5OUT.6 | ACLK             | P5IN.6 | unused                |
| P5Sel.7 | P5DIR.7 | DV <sub>SS</sub>              | P5OUT.7 | DV <sub>SS</sub> | P5IN.7 | TBOUTH <sup>(1)</sup> |

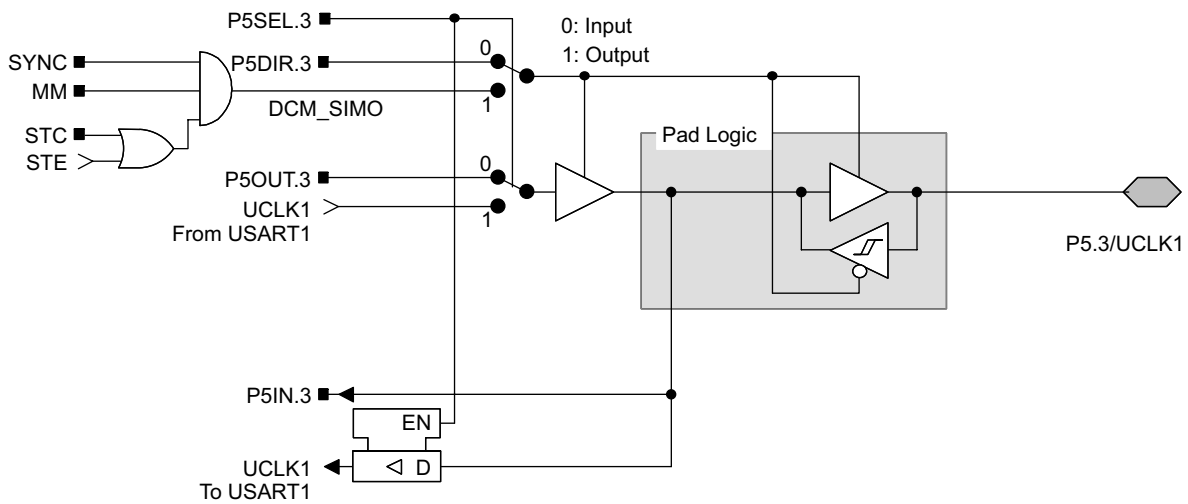
(1) The TBOUTH signal is used by port module P4, pins P4.0 to P4.6. The function of TBOUTH is most useful when used with Timer\_B7.



Figure 6-21. Port P5 (P5.1) Diagram



Figure 6-22. Port P5 (P5.2) Diagram



NOTE: UART mode: The UART clock can only be an input. If UART mode and UART function are selected, P5.3/UCLK1 is always an input.  
SPI slave mode: The clock applied to UCLK1 is used to shift data in and out.  
SPI master mode: The clock to shift data in and out is supplied to connected devices on pin P5.3/UCLK1 (in slave mode).

Figure 6-23. Port P5 (P5.3) Diagram



### 6.9.7 Port JTAG (TMS, TCK, TDI/TCLK, TDO/TDI), Input/Output With Schmitt Trigger



During programming activity and during blowing of the fuse, the TDO/TDI pin is used to apply the test input data for JTAG circuitry.

**Figure 6-25. JTAG (TMS, TCK, TDI/TCLK, TDO/TDI) Diagram**

## 7 Device and Documentation Support

### 7.1 Getting Started and Next Steps

For more information on the MSP430 family of devices and the tools and libraries that are available to help with your development, visit the [Getting Started](#) page.

### 7.2 Device Nomenclature

To designate the stages in the product development cycle, TI assigns prefixes to the part numbers of all MSP MCU devices. Each MSP MCU commercial family member has one of two prefixes: MSP or XMS. These prefixes represent evolutionary stages of product development from engineering prototypes (XMS) through fully qualified production devices (MSP).

**XMS** – Experimental device that is not necessarily representative of the final device's electrical specifications

**MSP** – Fully qualified production device

XMS devices are shipped against the following disclaimer:

"Developmental product is intended for internal evaluation purposes."

MSP devices have been characterized fully, and the quality and reliability of the device have been demonstrated fully. TI's standard warranty applies.

Predictions show that prototype devices (XMS) have a greater failure rate than the standard production devices. TI recommends that these devices not be used in any production system because their expected end-use failure rate still is undefined. Only qualified production devices are to be used.

TI device nomenclature also includes a suffix with the device family name. This suffix indicates the temperature range, package type, and distribution format. [Figure 7-1](#) provides a legend for reading the complete device name.



NOTE: This figure does not represent a complete list of the available features and options, and it does not indicate that all of these features and options are available for a given device or family.

**Figure 7-1. Device Nomenclature – Part Number Decoder**

## 7.3 Tools and Software

Table 7-1 lists the debug features supported by the MSP430F14x, MSP430F14x1, and MSP430F13x microcontrollers. See the [Code Composer Studio for MSP430 User's Guide](#) for details on the available features.

**Table 7-1. Hardware Features**

| MSP430 ARCHITECTURE | 4-WIRE JTAG | 2-WIRE JTAG | BREAK-POINTS | RANGE BREAK-POINTS | CLOCK CONTROL | STATE SEQUENCER | TRACE BUFFER | LPMx.5 DEBUGGING SUPPORT |
|---------------------|-------------|-------------|--------------|--------------------|---------------|-----------------|--------------|--------------------------|
| MSP430              | Yes         | No          | 3            | Yes                | No            | No              | No           | No                       |

### Design Kits and Evaluation Modules

**64-pin Target Development Board and MSP-FET Programmer Bundle - MSP430F1x, MSP430F2x, MSP430F4x MCUs** The MSP-FET430U64 is a powerful flash emulation tool that includes the hardware and software required to quickly begin application development on the MSP430 MCU. It includes a ZIF socket target board (MSP-TS430PM64) and a USB debugging interface (MSP-FET) used to program and debug the MSP430 in-system through the JTAG interface. The flash memory can be erased and programmed in seconds with only a few keystrokes, and because the MSP430 flash is ultra-low power, no external power supply is required.

**MSP-TS430PM64 - 64-pin Target Development Board for MSP430F1x, MSP430F2x and MSP430F4x MCUs**

The MSP-TS430PM64 is a standalone ZIF socket target board used to program and debug the MSP430 MCU in-system through the JTAG interface.

### Software

**MSP430Ware™ Software** MSP430Ware software is a collection of code examples, data sheets, and other design resources for all MSP430 devices delivered in a convenient package. In addition to providing a complete collection of existing MSP430 MCU design resources, MSP430Ware software also includes a high-level API called MSP Driver Library. This library makes it easy to program MSP430 hardware. MSP430Ware software is available as a component of CCS or as a stand-alone package.

**MSP430F13x, MSP430F14x, MSP430F15x, MSP430F16x Code Examples** C Code examples are available for every MSP device that configures each of the integrated peripherals for various application needs.

**Bootloader (BSL) for MSP low-power microcontrollers** The bootloader (BSL) is an application built into MSP low-power microcontrollers. It lets the user communicate with the device to read from and write to its memory. This feature is primarily used for programming the device, during prototyping, final production, and in service. Both the programmable memory (flash memory) and the data memory (RAM) can be modified as required.

**Fixed Point Math Library for MSP** The MSP IQmath and Qmath Libraries are a collection of highly optimized and high-precision mathematical functions for C programmers to seamlessly port a floating-point algorithm into fixed-point code on MSP430 and MSP432 devices. These routines are typically used in computationally intensive real-time applications where optimal execution speed, high accuracy, and ultra-low energy are critical. By using the IQmath and Qmath libraries, it is possible to achieve execution speeds considerably faster and energy consumption considerably lower than equivalent code written using floating-point math.

### Development Tools

**Code Composer Studio™ Integrated Development Environment for MSP Microcontrollers** Code Composer Studio (CCS) integrated development environment (IDE) supports all MSP microcontroller devices. CCS comprises a suite of embedded software utilities used to develop and debug embedded applications. CCS includes an optimizing C/C++ compiler, source code editor, project build environment, debugger, profiler, and many other features.

**Command-Line Programmer** MSP Flasher is an open-source shell-based interface for programming MSP microcontrollers through a FET programmer or eZ430 using JTAG or Spy-Bi-Wire (SBW) communication. MSP Flasher can download binary files (.txt or .hex) directly to the MSP microcontroller without an IDE.

**MSP MCU Programmer and Debugger** The MSP-FET is a powerful emulation development tool – often called a debug probe – which lets users quickly begin application development on MSP low-power MCUs. Creating MCU software usually requires downloading the resulting binary program to the MSP device for validation and debugging.

**MSP-GANG Production Programmer** The MSP Gang Programmer is an MSP430 or MSP432 device programmer that can program up to eight identical MSP430 or MSP432 flash or FRAM devices at the same time. The MSP Gang Programmer connects to a host PC using a standard RS-232 or USB connection and provides flexible programming options that let the user fully customize the process.

## 7.4 Documentation Support

The following documents describe the MSP430F14x, MSP430F14x1, and MSP430F13x MCUs. Copies of these documents are available on the Internet at [www.ti.com](http://www.ti.com).

### Receiving Notification of Document Updates

To receive notification of documentation updates—including silicon errata—go to the product folder for your device on [ti.com](http://ti.com) (for links to product folders, see [Section 7.5](#)). In the upper right corner, click the "Alert me" button. This registers you to receive a weekly digest of product information that has changed (if any). For change details, check the revision history of any revised document.

### Errata

- MSP430F149 Device Erratasheet** Describes the known exceptions to the functional specifications.
- MSP430F1491 Device Erratasheet** Describes the known exceptions to the functional specifications.
- MSP430F148 Device Erratasheet** Describes the known exceptions to the functional specifications.
- MSP430F1481 Device Erratasheet** Describes the known exceptions to the functional specifications.
- MSP430F147 Device Erratasheet** Describes the known exceptions to the functional specifications.
- MSP430F1471 Device Erratasheet** Describes the known exceptions to the functional specifications.
- MSP430F135 Device Erratasheet** Describes the known exceptions to the functional specifications.
- MSP430F133 Device Erratasheet** Describes the known exceptions to the functional specifications.

### User's Guides

- MSP430x1xx Family User's Guide** Detailed description of all modules and peripherals available in this device family.
- MSP430 Flash Device Bootloader (BSL) User's Guide** The MSP430™ bootloader (BSL) lets users communicate with embedded memory in the MSP430 microcontroller (MCU) during the prototyping phase, final production, and in service. Both the programmable memory (flash memory) and the data memory (RAM) can be modified as required.
- MSP430 Programming With the JTAG Interface** This document describes the functions that are required to erase, program, and verify the memory module of the MSP430 flash-based and FRAM-based microcontroller families using the JTAG communication port. In addition, it describes how to program the JTAG access security fuse that is available on all MSP430 devices. This document describes device access using both the standard 4-wire JTAG interface and the 2-wire JTAG interface, which is also referred to as Spy-Bi-Wire (SBW).
- MSP430 Hardware Tools User's Guide** This manual describes the hardware of the TI MSP-FET430 Flash Emulation Tool (FET). The FET is the program development tool for the MSP430 ultra-low-power microcontroller. Both available interface types, the parallel port interface and the USB interface, are described.

## Application Reports

**MSP430 32-kHz Crystal Oscillators** Selection of the right crystal, correct load circuit, and proper board layout are important for a stable crystal oscillator. This application report summarizes crystal oscillator function and explains the parameters to select the correct crystal for MSP430 ultra-low-power operation. In addition, hints and examples for correct board layout are given. The document also contains detailed information on the possible oscillator tests to ensure stable oscillator operation in mass production.

**Software Coding Techniques for MSP430™ MCUs** This application report describes software techniques and related topics of interest to programmers of MSP430 MCUs.

**General Oversampling of MSP ADCs for Higher Resolution** Multiple MSP430 ultra-low-power microcontrollers offer ADCs to convert physical quantities into digital numbers, a function that is widely used across numerous applications. There are times, however, when a customer design demands a higher resolution than the ADC of the selected MSP can offer. This application report describes how an oversampling method can be incorporated to increase ADC resolution past the currently available number of bits.

**MSP430 System-Level ESD Considerations** System-Level ESD has become increasingly demanding with silicon technology scaling towards lower voltages and the need for designing cost-effective and ultra-low-power components. This application report addresses three different ESD topics to help board designers and OEMs understand and design robust system-level designs.

## 7.5 Related Links

Table 7-2 lists quick access links. Categories include technical documents, support and community resources, tools and software, and quick access to order now.

**Table 7-2. Related Links**

| PARTS       | PRODUCT FOLDER             | ORDER NOW                  | TECHNICAL DOCUMENTS        | TOOLS & SOFTWARE           | SUPPORT & COMMUNITY        |
|-------------|----------------------------|----------------------------|----------------------------|----------------------------|----------------------------|
| MSP430F149  | <a href="#">Click here</a> | <a href="#">Click here</a> | <a href="#">Click here</a> | <a href="#">Click here</a> | <a href="#">Click here</a> |
| MSP430F1491 | <a href="#">Click here</a> | <a href="#">Click here</a> | <a href="#">Click here</a> | <a href="#">Click here</a> | <a href="#">Click here</a> |
| MSP430F148  | <a href="#">Click here</a> | <a href="#">Click here</a> | <a href="#">Click here</a> | <a href="#">Click here</a> | <a href="#">Click here</a> |
| MSP430F1481 | <a href="#">Click here</a> | <a href="#">Click here</a> | <a href="#">Click here</a> | <a href="#">Click here</a> | <a href="#">Click here</a> |
| MSP430F147  | <a href="#">Click here</a> | <a href="#">Click here</a> | <a href="#">Click here</a> | <a href="#">Click here</a> | <a href="#">Click here</a> |
| MSP430F1471 | <a href="#">Click here</a> | <a href="#">Click here</a> | <a href="#">Click here</a> | <a href="#">Click here</a> | <a href="#">Click here</a> |
| MSP430F135  | <a href="#">Click here</a> | <a href="#">Click here</a> | <a href="#">Click here</a> | <a href="#">Click here</a> | <a href="#">Click here</a> |

## 7.6 Community Resources

The following links connect to TI community resources. Linked contents are provided "AS IS" by the respective contributors. They do not constitute TI specifications and do not necessarily reflect TI's views; see TI's [Terms of Use](#).

### TI E2E™ Community

*TI's Engineer-to-Engineer (E2E) Community.* Created to foster collaboration among engineers. At [e2e.ti.com](http://e2e.ti.com), you can ask questions, share knowledge, explore ideas, and help solve problems with fellow engineers.

### TI Embedded Processors Wiki

*Texas Instruments Embedded Processors Wiki.* Established to help developers get started with embedded processors from Texas Instruments and to foster innovation and growth of general knowledge about the hardware and software surrounding these devices.

## 7.7 Trademarks

MSP430, MSP430Ware, Code Composer Studio, E2E are trademarks of Texas Instruments. All other trademarks are the property of their respective owners.

## 7.8 Electrostatic Discharge Caution



This integrated circuit can be damaged by ESD. Texas Instruments recommends that all integrated circuits be handled with appropriate precautions. Failure to observe proper handling and installation procedures can cause damage.

ESD damage can range from subtle performance degradation to complete device failure. Precision integrated circuits may be more susceptible to damage because very small parametric changes could cause the device not to meet its published specifications.

## 7.9 Export Control Notice

Recipient agrees to not knowingly export or re-export, directly or indirectly, any product or technical data (as defined by the U.S., EU, and other Export Administration Regulations) including software, or any controlled product restricted by other applicable national regulations, received from disclosing party under nondisclosure obligations (if any), or any direct product of such technology, to any destination to which such export or re-export is restricted or prohibited by U.S. or other applicable laws, without obtaining prior authorization from U.S. Department of Commerce and other competent Government authorities to the extent required by those laws.

## 7.10 Glossary

[TI Glossary](#) This glossary lists and explains terms, acronyms, and definitions.

## 8 Mechanical, Packaging, and Orderable Information

The following pages include mechanical, packaging, and orderable information. This information is the most current data available for the designated devices. This data is subject to change without notice and revision of this document. For browser-based versions of this data sheet, refer to the left-hand navigation.

**PACKAGING INFORMATION**

| Orderable Device   | Status<br>(1) | Package Type | Package<br>Drawing | Pins | Package<br>Qty | Eco Plan<br>(2)            | Lead/Ball Finish<br>(6) | MSL Peak Temp<br>(3) | Op Temp (°C) | Device Marking<br>(4/5) | Samples                 |
|--------------------|---------------|--------------|--------------------|------|----------------|----------------------------|-------------------------|----------------------|--------------|-------------------------|-------------------------|
| MSP430F133IPAG     | ACTIVE        | TQFP         | PAG                | 64   | 160            | Green (RoHS<br>& no Sb/Br) | CU NIPDAU               | Level-4-260C-72 HR   | -40 to 85    | M430F133                | <a href="#">Samples</a> |
| MSP430F133IPM      | ACTIVE        | LQFP         | PM                 | 64   | 160            | Green (RoHS<br>& no Sb/Br) | CU NIPDAU               | Level-3-260C-168 HR  | -40 to 85    | M430F133                | <a href="#">Samples</a> |
| MSP430F133IPMR     | ACTIVE        | LQFP         | PM                 | 64   | 1000           | Green (RoHS<br>& no Sb/Br) | CU NIPDAU               | Level-3-260C-168 HR  | -40 to 85    | M430F133                | <a href="#">Samples</a> |
| MSP430F133IRTD     | ACTIVE        | VQFN         | RTD                | 64   | 250            | Green (RoHS<br>& no Sb/Br) | CU SN                   | Level-3-260C-168 HR  | -40 to 85    | M430F133                | <a href="#">Samples</a> |
| MSP430F135IPAG     | ACTIVE        | TQFP         | PAG                | 64   | 160            | Green (RoHS<br>& no Sb/Br) | CU NIPDAU               | Level-4-260C-72 HR   | -40 to 85    | M430F135<br>REV #       | <a href="#">Samples</a> |
| MSP430F135IPM      | ACTIVE        | LQFP         | PM                 | 64   | 160            | Green (RoHS<br>& no Sb/Br) | CU NIPDAU               | Level-3-260C-168 HR  | -40 to 85    | M430F135<br>REV #       | <a href="#">Samples</a> |
| MSP430F135IPMR     | ACTIVE        | LQFP         | PM                 | 64   | 1000           | Green (RoHS<br>& no Sb/Br) | CU NIPDAU               | Level-3-260C-168 HR  | -40 to 85    | M430F135<br>REV #       | <a href="#">Samples</a> |
| MSP430F135IRTD     | ACTIVE        | VQFN         | RTD                | 64   | 2500           | Green (RoHS<br>& no Sb/Br) | CU SN                   | Level-3-260C-168 HR  | -40 to 85    | M430F135                | <a href="#">Samples</a> |
| MSP430F135IRTD     | ACTIVE        | VQFN         | RTD                | 64   | 250            | Green (RoHS<br>& no Sb/Br) | CU SN                   | Level-3-260C-168 HR  | -40 to 85    | M430F135                | <a href="#">Samples</a> |
| MSP430F1471IPM     | ACTIVE        | LQFP         | PM                 | 64   | 160            | Green (RoHS<br>& no Sb/Br) | CU NIPDAU               | Level-3-260C-168 HR  | -40 to 85    | M430F1471<br>REV #      | <a href="#">Samples</a> |
| MSP430F1471IPMR    | ACTIVE        | LQFP         | PM                 | 64   | 1000           | Green (RoHS<br>& no Sb/Br) | CU NIPDAU               | Level-3-260C-168 HR  | -40 to 85    | M430F1471<br>REV #      | <a href="#">Samples</a> |
| MSP430F1471IRTD    | ACTIVE        | VQFN         | RTD                | 64   | 250            | Green (RoHS<br>& no Sb/Br) | CU SN                   | Level-3-260C-168 HR  | -40 to 85    | M430F1471               | <a href="#">Samples</a> |
| MSP430F147IPAG     | ACTIVE        | TQFP         | PAG                | 64   | 160            | Green (RoHS<br>& no Sb/Br) | CU NIPDAU               | Level-4-260C-72 HR   | -40 to 85    | M430F147<br>REV #       | <a href="#">Samples</a> |
| MSP430F147IPM      | ACTIVE        | LQFP         | PM                 | 64   | 160            | Green (RoHS<br>& no Sb/Br) | CU NIPDAU               | Level-3-260C-168 HR  | -40 to 85    | M430F147<br>REV #       | <a href="#">Samples</a> |
| MSP430F147IPMR     | ACTIVE        | LQFP         | PM                 | 64   | 1000           | Green (RoHS<br>& no Sb/Br) | CU NIPDAU               | Level-3-260C-168 HR  | -40 to 85    | M430F147<br>REV #       | <a href="#">Samples</a> |
| MSP430F147IPMR-KAM | ACTIVE        | LQFP         | PM                 | 64   | 1000           | Green (RoHS<br>& no Sb/Br) | CU NIPDAU               | Level-3-260C-168 HR  | -40 to 85    | M430F147<br>REV #       | <a href="#">Samples</a> |
| MSP430F147IPMRG4   | ACTIVE        | LQFP         | PM                 | 64   | 1000           | Green (RoHS<br>& no Sb/Br) | CU NIPDAU               | Level-3-260C-168 HR  | -40 to 85    | M430F147<br>REV #       | <a href="#">Samples</a> |

| Orderable Device | Status<br>(1) | Package Type | Package Drawing | Pins | Package Qty | Eco Plan<br>(2)         | Lead/Ball Finish<br>(6) | MSL Peak Temp<br>(3) | Op Temp (°C) | Device Marking<br>(4/5) | Samples                 |
|------------------|---------------|--------------|-----------------|------|-------------|-------------------------|-------------------------|----------------------|--------------|-------------------------|-------------------------|
| MSP430F147IRTDR  | ACTIVE        | VQFN         | RTD             | 64   | 2500        | Green (RoHS & no Sb/Br) | CU SN                   | Level-3-260C-168 HR  | -40 to 85    | M430F147                | <a href="#">Samples</a> |
| MSP430F147IRTD   | ACTIVE        | VQFN         | RTD             | 64   | 250         | Green (RoHS & no Sb/Br) | CU SN                   | Level-3-260C-168 HR  | -40 to 85    | M430F147                | <a href="#">Samples</a> |
| MSP430F1481IPM   | ACTIVE        | LQFP         | PM              | 64   | 160         | Green (RoHS & no Sb/Br) | CU NIPDAU               | Level-3-260C-168 HR  | -40 to 85    | M430F1481               | <a href="#">Samples</a> |
| MSP430F1481IPMR  | ACTIVE        | LQFP         | PM              | 64   | 1000        | Green (RoHS & no Sb/Br) | CU NIPDAU               | Level-3-260C-168 HR  | -40 to 85    | M430F1481               | <a href="#">Samples</a> |
| MSP430F1481IRTD  | ACTIVE        | VQFN         | RTD             | 64   | 250         | Green (RoHS & no Sb/Br) | CU SN                   | Level-3-260C-168 HR  | -40 to 85    | M430F1481               | <a href="#">Samples</a> |
| MSP430F148IPAG   | ACTIVE        | TQFP         | PAG             | 64   | 160         | Green (RoHS & no Sb/Br) | CU NIPDAU               | Level-4-260C-72 HR   | -40 to 85    | M430F148                | <a href="#">Samples</a> |
| MSP430F148IPM    | ACTIVE        | LQFP         | PM              | 64   | 160         | Green (RoHS & no Sb/Br) | CU NIPDAU               | Level-3-260C-168 HR  | -40 to 85    | M430F148<br>REV #       | <a href="#">Samples</a> |
| MSP430F148IPMG4  | ACTIVE        | LQFP         | PM              | 64   | 160         | Green (RoHS & no Sb/Br) | CU NIPDAU               | Level-3-260C-168 HR  | -40 to 85    | M430F148<br>REV #       | <a href="#">Samples</a> |
| MSP430F148IPMR   | ACTIVE        | LQFP         | PM              | 64   | 1000        | Green (RoHS & no Sb/Br) | CU NIPDAU               | Level-3-260C-168 HR  | -40 to 85    | M430F148<br>REV #       | <a href="#">Samples</a> |
| MSP430F148IRTDR  | ACTIVE        | VQFN         | RTD             | 64   | 2500        | Green (RoHS & no Sb/Br) | CU SN                   | Level-3-260C-168 HR  | -40 to 85    | M430F148                | <a href="#">Samples</a> |
| MSP430F148IRTD   | ACTIVE        | VQFN         | RTD             | 64   | 250         | Green (RoHS & no Sb/Br) | CU SN                   | Level-3-260C-168 HR  | -40 to 85    | M430F148                | <a href="#">Samples</a> |
| MSP430F1491IPM   | ACTIVE        | LQFP         | PM              | 64   | 160         | Green (RoHS & no Sb/Br) | CU NIPDAU               | Level-3-260C-168 HR  | -40 to 85    | M430F1491               | <a href="#">Samples</a> |
| MSP430F1491IPMG4 | ACTIVE        | LQFP         | PM              | 64   | 160         | Green (RoHS & no Sb/Br) | CU NIPDAU               | Level-3-260C-168 HR  | -40 to 85    | M430F1491               | <a href="#">Samples</a> |
| MSP430F1491IPMR  | ACTIVE        | LQFP         | PM              | 64   | 1000        | Green (RoHS & no Sb/Br) | CU NIPDAU               | Level-3-260C-168 HR  | -40 to 85    | M430F1491               | <a href="#">Samples</a> |
| MSP430F1491IRTDR | ACTIVE        | VQFN         | RTD             | 64   | 2500        | Green (RoHS & no Sb/Br) | CU SN                   | Level-3-260C-168 HR  | -40 to 85    | M430F1491               | <a href="#">Samples</a> |
| MSP430F1491IRTD  | ACTIVE        | VQFN         | RTD             | 64   | 250         | Green (RoHS & no Sb/Br) | CU SN                   | Level-3-260C-168 HR  | -40 to 85    | M430F1491               | <a href="#">Samples</a> |
| MSP430F149IPAG   | ACTIVE        | TQFP         | PAG             | 64   | 160         | Green (RoHS & no Sb/Br) | CU NIPDAU               | Level-4-260C-72 HR   | -40 to 85    | M430F149<br>REV #       | <a href="#">Samples</a> |
| MSP430F149IPAGR  | ACTIVE        | TQFP         | PAG             | 64   | 1500        | Green (RoHS & no Sb/Br) | CU NIPDAU               | Level-4-260C-72 HR   | -40 to 85    | M430F149<br>REV #       | <a href="#">Samples</a> |

| Orderable Device  | Status<br>(1) | Package Type | Package Drawing | Pins | Package Qty | Eco Plan<br>(2)         | Lead/Ball Finish<br>(6) | MSL Peak Temp<br>(3) | Op Temp (°C) | Device Marking<br>(4/5) | Samples                 |
|-------------------|---------------|--------------|-----------------|------|-------------|-------------------------|-------------------------|----------------------|--------------|-------------------------|-------------------------|
| MSP430F149IPM     | ACTIVE        | LQFP         | PM              | 64   | 160         | Green (RoHS & no Sb/Br) | CU NIPDAU               | Level-3-260C-168 HR  | -40 to 85    | M430F149<br>REV #       | <a href="#">Samples</a> |
| MSP430F149IPMG4   | ACTIVE        | LQFP         | PM              | 64   | 160         | Green (RoHS & no Sb/Br) | CU NIPDAU               | Level-3-260C-168 HR  | -40 to 85    | M430F149<br>REV #       | <a href="#">Samples</a> |
| MSP430F149IPMR    | ACTIVE        | LQFP         | PM              | 64   | 1000        | Green (RoHS & no Sb/Br) | CU NIPDAU               | Level-3-260C-168 HR  | -40 to 85    | M430F149<br>REV #       | <a href="#">Samples</a> |
| MSP430F149IPMRG4  | ACTIVE        | LQFP         | PM              | 64   | 1000        | Green (RoHS & no Sb/Br) | CU NIPDAU               | Level-3-260C-168 HR  | -40 to 85    | M430F149<br>REV #       | <a href="#">Samples</a> |
| MSP430F149IRTDR   | ACTIVE        | VQFN         | RTD             | 64   | 2500        | Green (RoHS & no Sb/Br) | CU SN                   | Level-3-260C-168 HR  | -40 to 85    | M430F149                | <a href="#">Samples</a> |
| MSP430F149IRTDRG4 | ACTIVE        | VQFN         | RTD             | 64   | 2500        | Green (RoHS & no Sb/Br) | CU SN                   | Level-3-260C-168 HR  | -40 to 85    | M430F149                | <a href="#">Samples</a> |
| MSP430F149IRTD    | ACTIVE        | VQFN         | RTD             | 64   | 250         | Green (RoHS & no Sb/Br) | CU SN                   | Level-3-260C-168 HR  | -40 to 85    | M430F149                | <a href="#">Samples</a> |

(1) The marketing status values are defined as follows:

**ACTIVE:** Product device recommended for new designs.

**LIFEBUY:** TI has announced that the device will be discontinued, and a lifetime-buy period is in effect.

**NRND:** Not recommended for new designs. Device is in production to support existing customers, but TI does not recommend using this part in a new design.

**PREVIEW:** Device has been announced but is not in production. Samples may or may not be available.

**OBSOLETE:** TI has discontinued the production of the device.

(2) **RoHS:** TI defines "RoHS" to mean semiconductor products that are compliant with the current EU RoHS requirements for all 10 RoHS substances, including the requirement that RoHS substance do not exceed 0.1% by weight in homogeneous materials. Where designed to be soldered at high temperatures, "RoHS" products are suitable for use in specified lead-free processes. TI may reference these types of products as "Pb-Free".

**RoHS Exempt:** TI defines "RoHS Exempt" to mean products that contain lead but are compliant with EU RoHS pursuant to a specific EU RoHS exemption.

**Green:** TI defines "Green" to mean the content of Chlorine (Cl) and Bromine (Br) based flame retardants meet JS709B low halogen requirements of <=1000ppm threshold. Antimony trioxide based flame retardants must also meet the <=1000ppm threshold requirement.

(3) MSL, Peak Temp. - The Moisture Sensitivity Level rating according to the JEDEC industry standard classifications, and peak solder temperature.

(4) There may be additional marking, which relates to the logo, the lot trace code information, or the environmental category on the device.

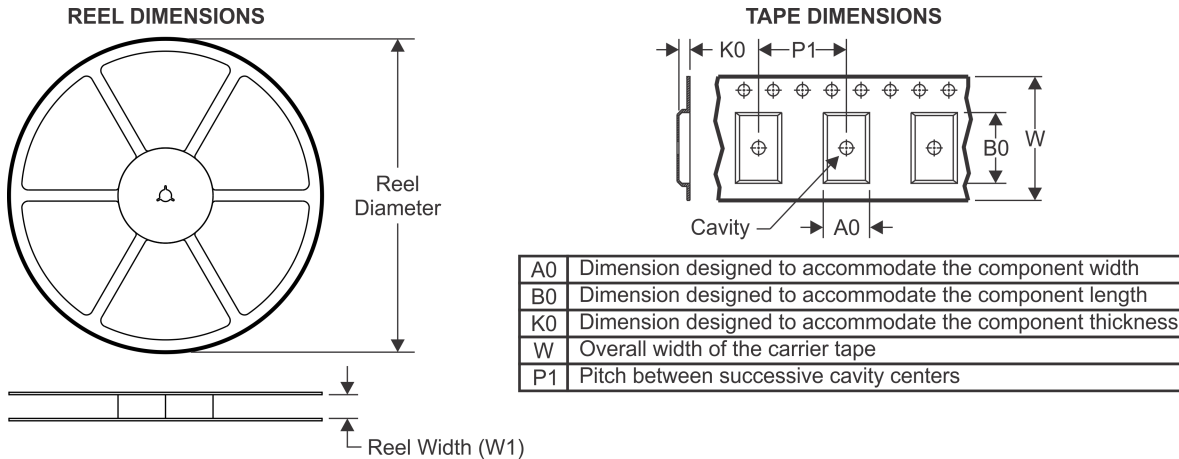
(5) Multiple Device Markings will be inside parentheses. Only one Device Marking contained in parentheses and separated by a "~" will appear on a device. If a line is indented then it is a continuation of the previous line and the two combined represent the entire Device Marking for that device.

<sup>(6)</sup> Lead/Ball Finish - Orderable Devices may have multiple material finish options. Finish options are separated by a vertical ruled line. Lead/Ball Finish values may wrap to two lines if the finish value exceeds the maximum column width.

**Important Information and Disclaimer:**The information provided on this page represents TI's knowledge and belief as of the date that it is provided. TI bases its knowledge and belief on information provided by third parties, and makes no representation or warranty as to the accuracy of such information. Efforts are underway to better integrate information from third parties. TI has taken and continues to take reasonable steps to provide representative and accurate information but may not have conducted destructive testing or chemical analysis on incoming materials and chemicals. TI and TI suppliers consider certain information to be proprietary, and thus CAS numbers and other limited information may not be available for release.

In no event shall TI's liability arising out of such information exceed the total purchase price of the TI part(s) at issue in this document sold by TI to Customer on an annual basis.

## TAPE AND REEL INFORMATION



### QUADRANT ASSIGNMENTS FOR PIN 1 ORIENTATION IN TAPE

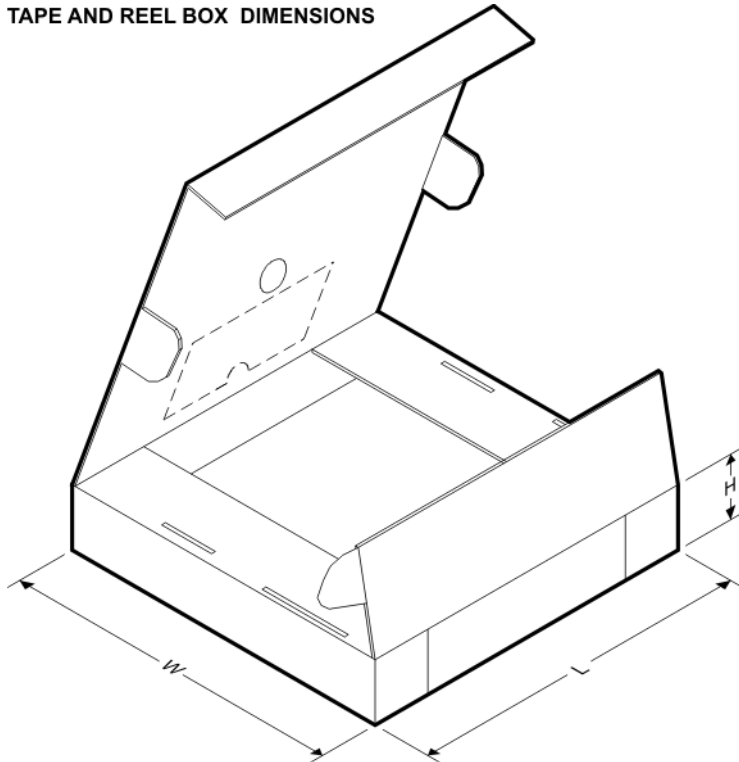


\*All dimensions are nominal

| Device          | Package Type | Package Drawing | Pins | SPQ  | Reel Diameter (mm) | Reel Width W1 (mm) | A0 (mm) | B0 (mm) | K0 (mm) | P1 (mm) | W (mm) | Pin1 Quadrant |
|-----------------|--------------|-----------------|------|------|--------------------|--------------------|---------|---------|---------|---------|--------|---------------|
| MSP430F133IPMR  | LQFP         | PM              | 64   | 1000 | 330.0              | 24.4               | 13.0    | 13.0    | 2.1     | 16.0    | 24.0   | Q2            |
| MSP430F133IRTD  | VQFN         | RTD             | 64   | 250  | 180.0              | 16.4               | 9.3     | 9.3     | 1.5     | 12.0    | 16.0   | Q2            |
| MSP430F135IPMR  | LQFP         | PM              | 64   | 1000 | 330.0              | 24.4               | 13.0    | 13.0    | 2.1     | 16.0    | 24.0   | Q2            |
| MSP430F135IRTD  | VQFN         | RTD             | 64   | 2500 | 330.0              | 16.4               | 9.3     | 9.3     | 1.5     | 12.0    | 16.0   | Q2            |
| MSP430F135IRTD  | VQFN         | RTD             | 64   | 250  | 180.0              | 16.4               | 9.3     | 9.3     | 1.5     | 12.0    | 16.0   | Q2            |
| MSP430F1471IPMR | LQFP         | PM              | 64   | 1000 | 330.0              | 24.4               | 13.0    | 13.0    | 2.1     | 16.0    | 24.0   | Q2            |
| MSP430F1471IRTD | VQFN         | RTD             | 64   | 250  | 180.0              | 16.4               | 9.3     | 9.3     | 1.5     | 12.0    | 16.0   | Q2            |
| MSP430F147IPMR  | LQFP         | PM              | 64   | 1000 | 330.0              | 24.4               | 13.0    | 13.0    | 2.1     | 16.0    | 24.0   | Q2            |
| MSP430F147IRTD  | VQFN         | RTD             | 64   | 2500 | 330.0              | 16.4               | 9.3     | 9.3     | 1.5     | 12.0    | 16.0   | Q2            |
| MSP430F147IRTD  | VQFN         | RTD             | 64   | 250  | 180.0              | 16.4               | 9.3     | 9.3     | 1.5     | 12.0    | 16.0   | Q2            |
| MSP430F1481IPMR | LQFP         | PM              | 64   | 1000 | 330.0              | 24.4               | 13.0    | 13.0    | 2.1     | 16.0    | 24.0   | Q2            |
| MSP430F1481IRTD | VQFN         | RTD             | 64   | 250  | 180.0              | 16.4               | 9.3     | 9.3     | 1.5     | 12.0    | 16.0   | Q2            |
| MSP430F148IPMR  | LQFP         | PM              | 64   | 1000 | 330.0              | 24.4               | 13.0    | 13.0    | 2.1     | 16.0    | 24.0   | Q2            |
| MSP430F148IRTD  | VQFN         | RTD             | 64   | 2500 | 330.0              | 16.4               | 9.3     | 9.3     | 1.5     | 12.0    | 16.0   | Q2            |
| MSP430F148IRTD  | VQFN         | RTD             | 64   | 250  | 180.0              | 16.4               | 9.3     | 9.3     | 1.5     | 12.0    | 16.0   | Q2            |
| MSP430F1491IPMR | LQFP         | PM              | 64   | 1000 | 330.0              | 24.4               | 13.0    | 13.0    | 2.1     | 16.0    | 24.0   | Q2            |
| MSP430F1491IRTD | VQFN         | RTD             | 64   | 2500 | 330.0              | 16.4               | 9.3     | 9.3     | 1.5     | 12.0    | 16.0   | Q2            |
| MSP430F1491IRTD | VQFN         | RTD             | 64   | 250  | 180.0              | 16.4               | 9.3     | 9.3     | 1.5     | 12.0    | 16.0   | Q2            |

| Device          | Package Type | Package Drawing | Pins | SPQ  | Reel Diameter (mm) | Reel Width W1 (mm) | A0 (mm) | B0 (mm) | K0 (mm) | P1 (mm) | W (mm) | Pin1 Quadrant |
|-----------------|--------------|-----------------|------|------|--------------------|--------------------|---------|---------|---------|---------|--------|---------------|
| MSP430F149IPAGR | TQFP         | PAG             | 64   | 1500 | 330.0              | 24.4               | 13.0    | 13.0    | 1.5     | 16.0    | 24.0   | Q2            |
| MSP430F149IPMR  | LQFP         | PM              | 64   | 1000 | 330.0              | 24.4               | 13.0    | 13.0    | 2.1     | 16.0    | 24.0   | Q2            |
| MSP430F149IRTD  | VQFN         | RTD             | 64   | 2500 | 330.0              | 16.4               | 9.3     | 9.3     | 1.5     | 12.0    | 16.0   | Q2            |
| MSP430F149IRTD  | VQFN         | RTD             | 64   | 250  | 180.0              | 16.4               | 9.3     | 9.3     | 1.5     | 12.0    | 16.0   | Q2            |

## TAPE AND REEL BOX DIMENSIONS



\*All dimensions are nominal

| Device          | Package Type | Package Drawing | Pins | SPQ  | Length (mm) | Width (mm) | Height (mm) |
|-----------------|--------------|-----------------|------|------|-------------|------------|-------------|
| MSP430F133IPMR  | LQFP         | PM              | 64   | 1000 | 336.6       | 336.6      | 41.3        |
| MSP430F133IRTD  | VQFN         | RTD             | 64   | 250  | 210.0       | 185.0      | 35.0        |
| MSP430F135IPMR  | LQFP         | PM              | 64   | 1000 | 336.6       | 336.6      | 41.3        |
| MSP430F135IRTD  | VQFN         | RTD             | 64   | 2500 | 367.0       | 367.0      | 38.0        |
| MSP430F135IRTD  | VQFN         | RTD             | 64   | 250  | 210.0       | 185.0      | 35.0        |
| MSP430F1471IPMR | LQFP         | PM              | 64   | 1000 | 336.6       | 336.6      | 41.3        |
| MSP430F1471IRTD | VQFN         | RTD             | 64   | 250  | 210.0       | 185.0      | 35.0        |
| MSP430F147IPMR  | LQFP         | PM              | 64   | 1000 | 336.6       | 336.6      | 41.3        |
| MSP430F147IRTD  | VQFN         | RTD             | 64   | 2500 | 367.0       | 367.0      | 38.0        |
| MSP430F147IRTD  | VQFN         | RTD             | 64   | 250  | 210.0       | 185.0      | 35.0        |
| MSP430F1481IPMR | LQFP         | PM              | 64   | 1000 | 336.6       | 336.6      | 41.3        |
| MSP430F1481IRTD | VQFN         | RTD             | 64   | 250  | 210.0       | 185.0      | 35.0        |
| MSP430F148IPMR  | LQFP         | PM              | 64   | 1000 | 336.6       | 336.6      | 41.3        |

| Device           | Package Type | Package Drawing | Pins | SPQ  | Length (mm) | Width (mm) | Height (mm) |
|------------------|--------------|-----------------|------|------|-------------|------------|-------------|
| MSP430F148IRTDR  | VQFN         | RTD             | 64   | 2500 | 367.0       | 367.0      | 38.0        |
| MSP430F148IRTD   | VQFN         | RTD             | 64   | 250  | 210.0       | 185.0      | 35.0        |
| MSP430F1491IPMR  | LQFP         | PM              | 64   | 1000 | 336.6       | 336.6      | 41.3        |
| MSP430F1491IRTDR | VQFN         | RTD             | 64   | 2500 | 367.0       | 367.0      | 38.0        |
| MSP430F1491IRTD  | VQFN         | RTD             | 64   | 250  | 210.0       | 185.0      | 35.0        |
| MSP430F149IPAGR  | TQFP         | PAG             | 64   | 1500 | 350.0       | 350.0      | 43.0        |
| MSP430F149IPMR   | LQFP         | PM              | 64   | 1000 | 336.6       | 336.6      | 41.3        |
| MSP430F149IRTDR  | VQFN         | RTD             | 64   | 2500 | 367.0       | 367.0      | 38.0        |
| MSP430F149IRTD   | VQFN         | RTD             | 64   | 250  | 210.0       | 185.0      | 35.0        |

## GENERIC PACKAGE VIEW

RTD 64

VQFN - 0.9 mm max height

PLASTIC QUAD FLATPACK - NO LEAD



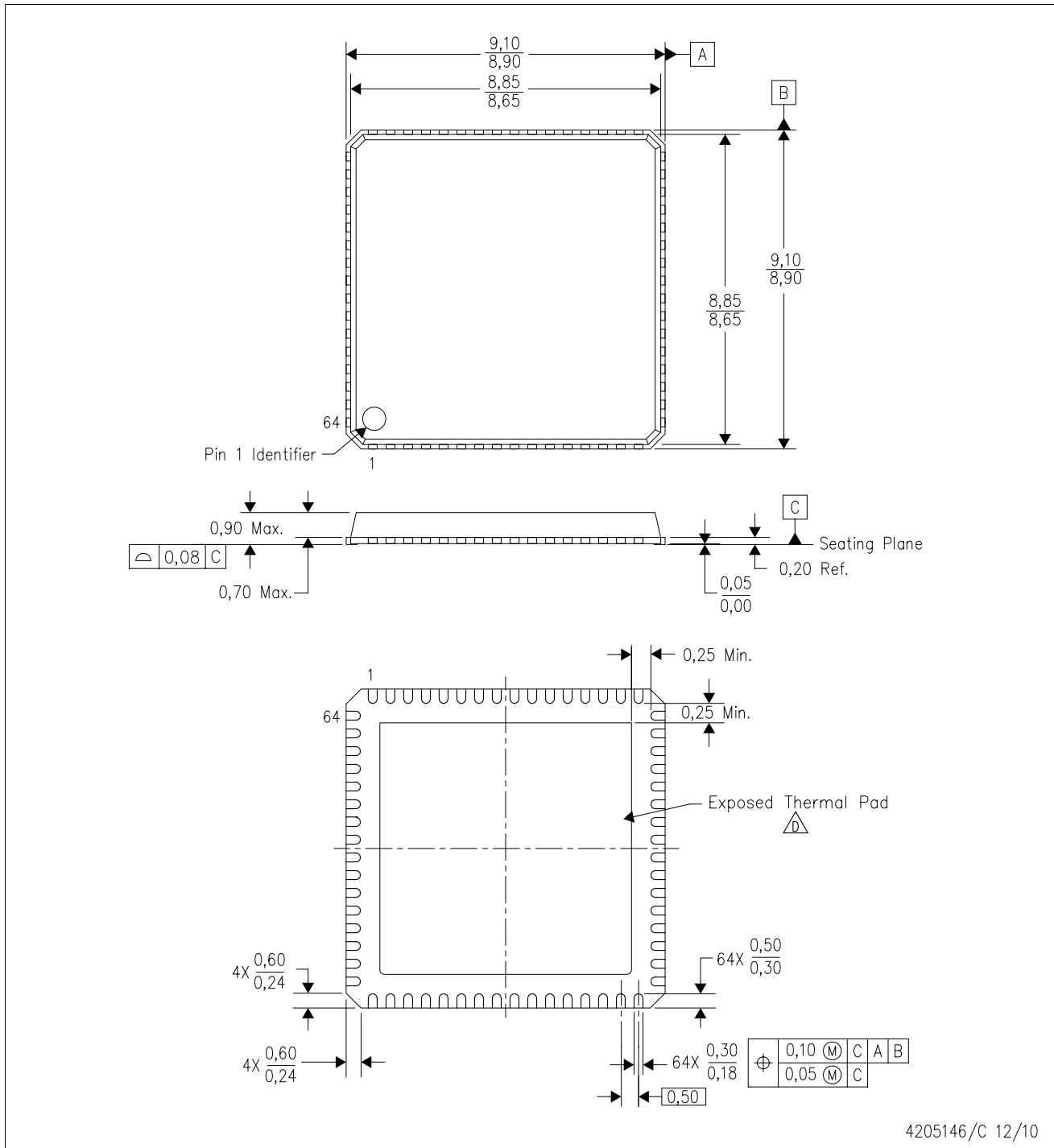
Images above are just a representation of the package family, actual package may vary.  
Refer to the product data sheet for package details.

4205146/D


# MECHANICAL DATA

RTD (S-PVQFN-N64)

PLASTIC QUAD FLATPACK NO-LEAD



4205146/C 12/10

- NOTES:
- A. All linear dimensions are in millimeters. Dimensioning and tolerancing per ASME Y14.5M-1994.
  - B. This drawing is subject to change without notice.
  - C. QFN (Quad Flatpack No-Lead) Package configuration.
  -  The package thermal pad must be soldered to the board for thermal and mechanical performance. See the Product Data Sheet for details regarding the exposed thermal pad dimensions.

## THERMAL PAD MECHANICAL DATA

RTD (S-PVQFN-N64)

PLASTIC QUAD FLATPACK NO-LEAD

### THERMAL INFORMATION

This package incorporates an exposed thermal pad that is designed to be attached directly to an external heatsink. The thermal pad must be soldered directly to the printed circuit board (PCB). After soldering, the PCB can be used as a heatsink. In addition, through the use of thermal vias, the thermal pad can be attached directly to the appropriate copper plane shown in the electrical schematic for the device, or alternatively, can be attached to a special heatsink structure designed into the PCB. This design optimizes the heat transfer from the integrated circuit (IC).

For information on the Quad Flatpack No-Lead (QFN) package and its advantages, refer to Application Report, QFN/SON PCB Attachment, Texas Instruments Literature No. SLUA271. This document is available at [www.ti.com](http://www.ti.com).

The exposed thermal pad dimensions for this package are shown in the following illustration.

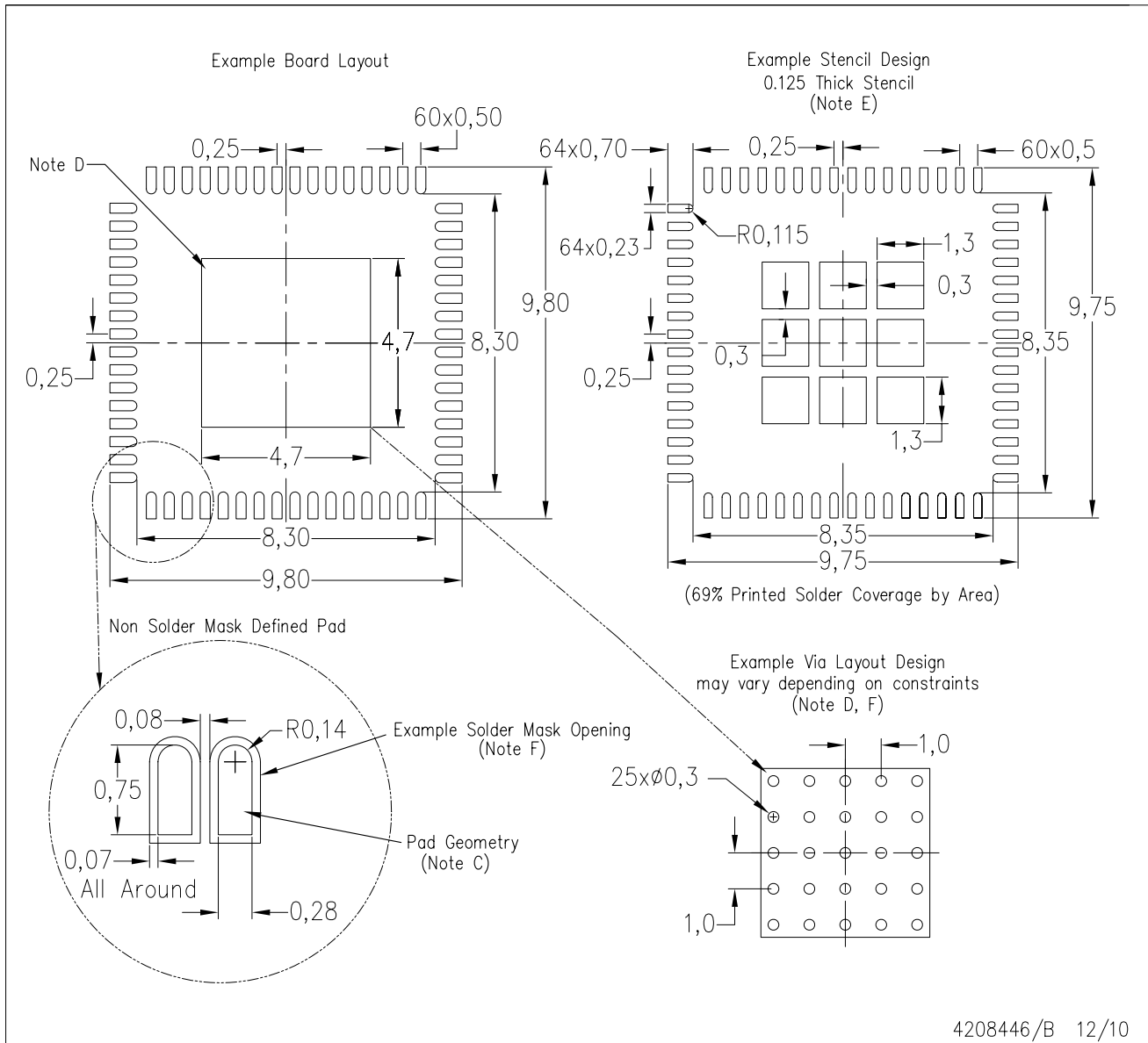


4206338-3/F 09/14

NOTE: A. All linear dimensions are in millimeters

RTD (S-PVQFN-N64)

PLASTIC QUAD FLATPACK NO-LEAD



4208446/B 12/10

- NOTES:
- A. All linear dimensions are in millimeters.
  - B. This drawing is subject to change without notice.
  - C. Publication IPC-7351 is recommended for alternate designs.
  - D. This package is designed to be soldered to a thermal pad on the board. Refer to Application Note, Quad Flat-Pack Package, Texas Instruments Literature No. SLUA271, and also the Product Data Sheets for specific thermal information, via requirements, and recommended board layout. These documents are available at [www.ti.com](http://www.ti.com) <<http://www.ti.com>>.
  - E. Laser cutting apertures with electropolish and also rounding corners will offer better paste release. Customers should contact their board assembly site for stencil design recommendations. Refer to IPC 7525 for stencil design considerations.
  - F. Customer should contact their board fabrication site for recommended solder mask tolerances and vias tenting recommendations for vias placed into the thermal pad.

PAG (S-PQFP-G64)

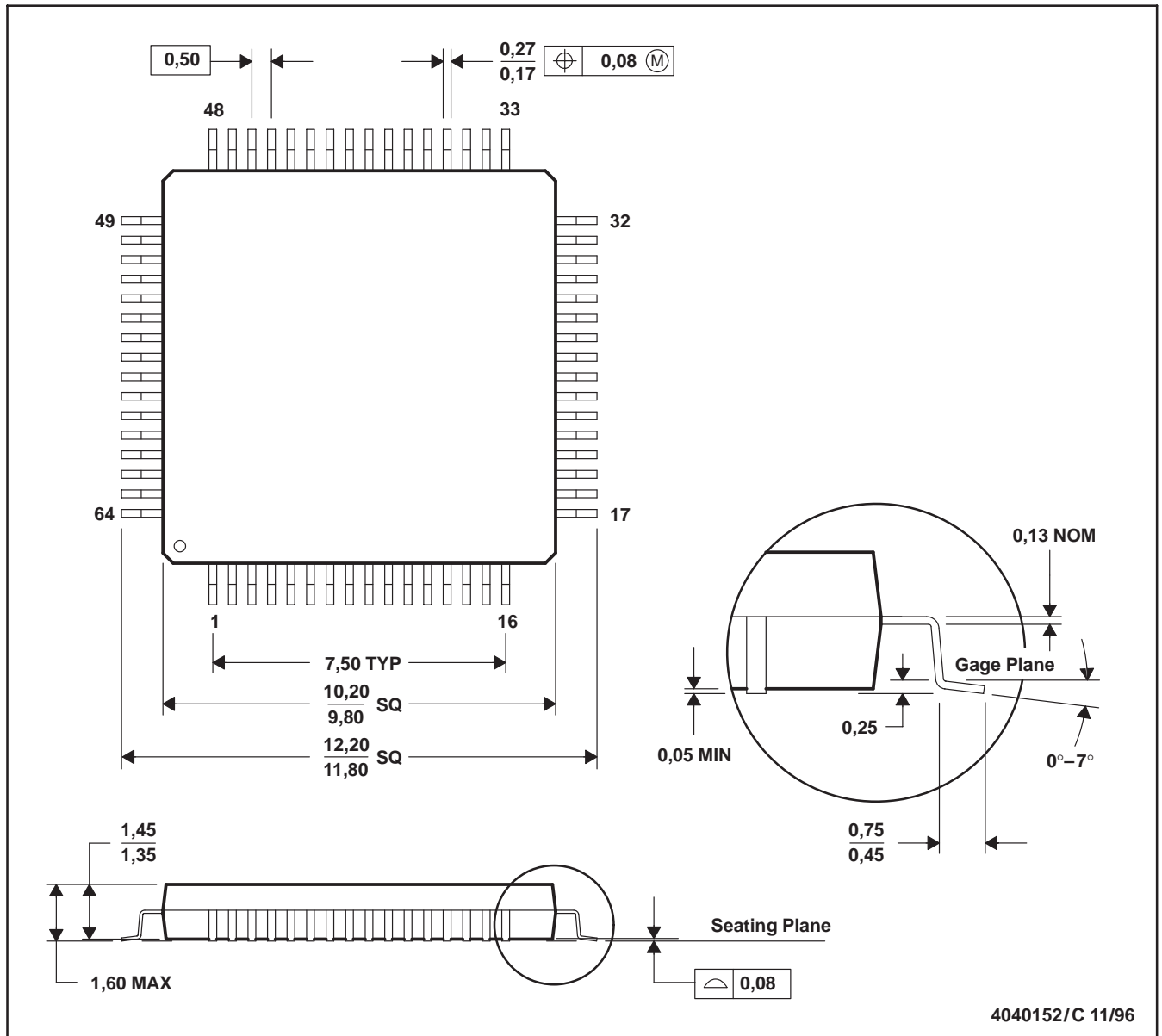
PLASTIC QUAD FLATPACK



- NOTES: A. All linear dimensions are in millimeters.  
 B. This drawing is subject to change without notice.  
 C. Falls within JEDEC MS-026

PM (S-PQFP-G64)

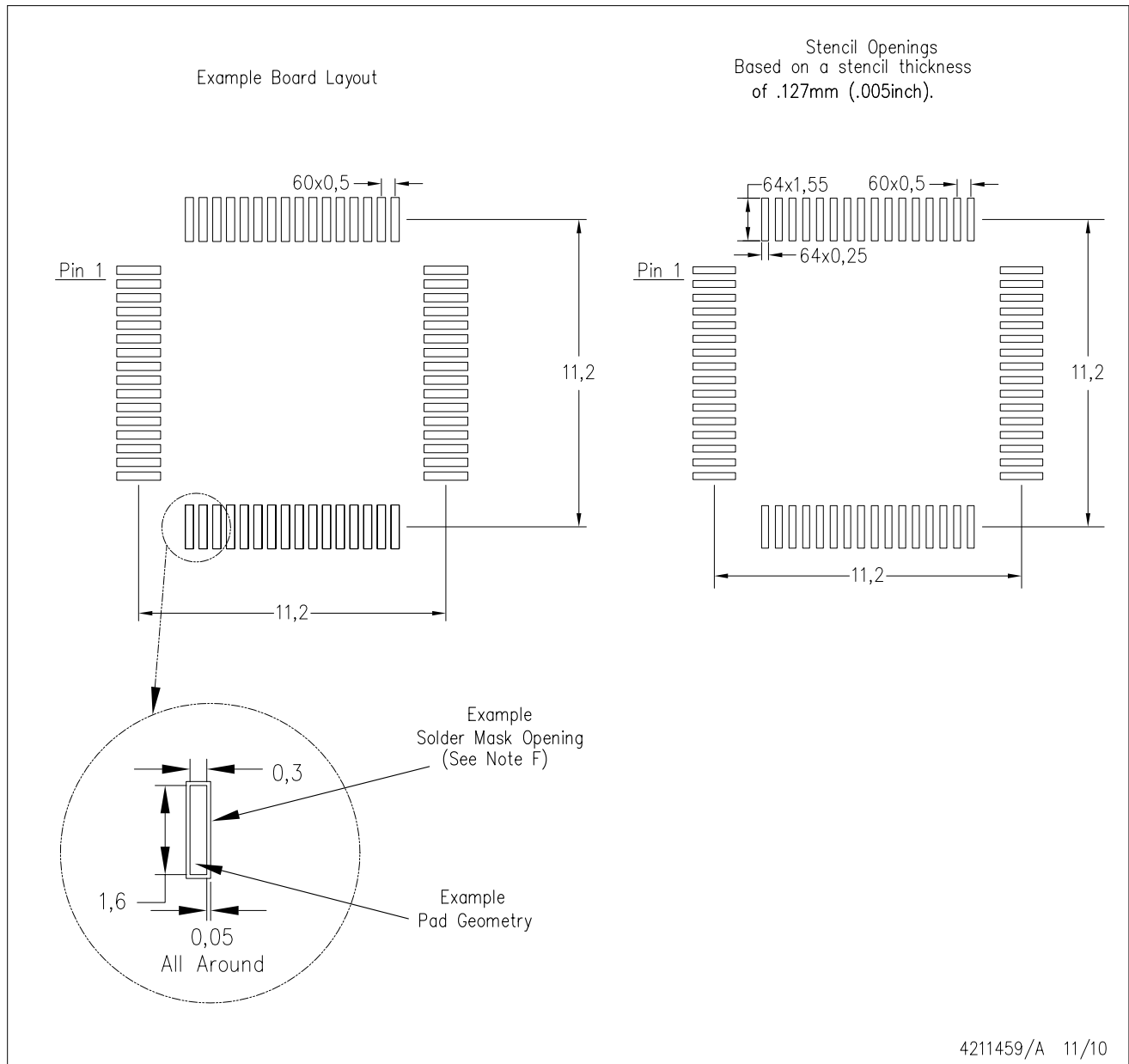
PLASTIC QUAD FLATPACK



- NOTES: A. All linear dimensions are in millimeters.  
 B. This drawing is subject to change without notice.  
 C. Falls within JEDEC MS-026  
 D. May also be thermally enhanced plastic with leads connected to the die pads.

PM (S-PQFP-G64)

PLASTIC QUAD FLATPACK



- NOTES:
- A. All linear dimensions are in millimeters.
  - B. This drawing is subject to change without notice.
  - C. Laser cutting apertures with trapezoidal walls and also rounding corners will offer better paste release. Customers should contact their board assembly site for stencil design recommendations. Example stencil design based on a 50% volumetric metal load solder paste. Refer to IPC-7525 for other stencil recommendations.
  - D. Customers should contact their board fabrication site for solder mask tolerances between and around signal pads.

## IMPORTANT NOTICE AND DISCLAIMER

TI PROVIDES TECHNICAL AND RELIABILITY DATA (INCLUDING DATASHEETS), DESIGN RESOURCES (INCLUDING REFERENCE DESIGNS), APPLICATION OR OTHER DESIGN ADVICE, WEB TOOLS, SAFETY INFORMATION, AND OTHER RESOURCES "AS IS" AND WITH ALL FAULTS, AND DISCLAIMS ALL WARRANTIES, EXPRESS AND IMPLIED, INCLUDING WITHOUT LIMITATION ANY IMPLIED WARRANTIES OF MERCHANTABILITY, FITNESS FOR A PARTICULAR PURPOSE OR NON-INFRINGEMENT OF THIRD PARTY INTELLECTUAL PROPERTY RIGHTS.

These resources are intended for skilled developers designing with TI products. You are solely responsible for (1) selecting the appropriate TI products for your application, (2) designing, validating and testing your application, and (3) ensuring your application meets applicable standards, and any other safety, security, or other requirements. These resources are subject to change without notice. TI grants you permission to use these resources only for development of an application that uses the TI products described in the resource. Other reproduction and display of these resources is prohibited. No license is granted to any other TI intellectual property right or to any third party intellectual property right. TI disclaims responsibility for, and you will fully indemnify TI and its representatives against, any claims, damages, costs, losses, and liabilities arising out of your use of these resources.

TI's products are provided subject to TI's Terms of Sale ([www.ti.com/legal/termsofsale.html](http://www.ti.com/legal/termsofsale.html)) or other applicable terms available either on [ti.com](http://ti.com) or provided in conjunction with such TI products. TI's provision of these resources does not expand or otherwise alter TI's applicable warranties or warranty disclaimers for TI products.

Mailing Address: Texas Instruments, Post Office Box 655303, Dallas, Texas 75265  
Copyright © 2019, Texas Instruments Incorporated

## Looking for pricing, stock, or lifecycle information?

Click below to explore more details on WIN SOURCE:

 [View MSP430F1471IRTD](#) on WIN SOURCE

 [Texas Instruments](#) Information

## Optimize Your Supply Chain with WIN SOURCE Solutions

-  Global Sourcing Solution
-  Obsolete Management
-  Cost Control Management
-  Shortage Management
-  Alternative Solution
-  Excess Inventory Management