

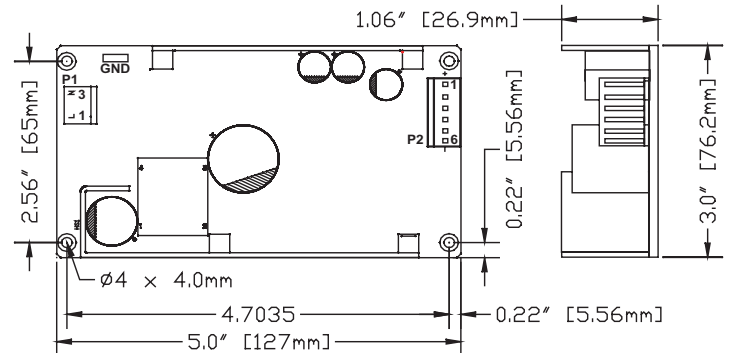


THE DATASHEET OF MSM4015



MSM40 series

40 Watt Medical Grade Power Supply



Features

- Wide range AC input
- Fully regulated output
- High efficiency
- Medical grade approval
- 5 year warranty

Environmental

- Operating temperature..... 0° C to 50° C
- Storage temperature..... -55° C to 85° C
- Weight = 0.40 lbs

EMI/EMC

- Meets FCC class B, CISPR 11 class B
- EMC per EN60601-1-2

Safety

- UR/cUR UL2601-1
- CE Marked EN60601-1-2:2001

Input and Output Connections

- Input connector (P1) = AMP p/n 640445-3
- Input mating connector = AMP p/n 640250-3
- Output connector (P2) = AMP p/n 640445-6
- Output mating connector = AMP p/n 640250-6
- Mating connector contacts = AMP p/n 770476-1

Polarity	1	2	3	4	5	6
Input P1	AC Line	-	AC Neutral	-	-	-
Output P2	+V1	+V1	+V1	Com	Com	Com

Input P1 GND 0.25" FASTON TAB

Electrical Specifications

Input

- Voltage.....90 - 264 VAC
- Current.....0.72 Amp @ 100 VAC
- Frequency.....47 - 63 Hz
- Max. Earth leakage current:

Test Voltage	Normal	Single-fault
132 VAC 60 Hz	25 uA	45 uA
264 VAC 50 Hz	45 uA	90 uA



Output

- Line regulation..... TYP +/- 0.5%
- Load regulation..... TYP +/- 2%
- Hold up time.....20 ms min at full load, 115 VAC
- Transient response..... 2 ms for 50% load change typical
- Over voltage protection.....Built-in
- Over current protection..... 150% of max load
- Short circuit protection..... Pulsing mode, auto recovery
- Efficiency..... 80% min at full load and 115 VAC
- Ripple/noise (V_{p-p})..... +/- 0.5% (20 MHz bandwidth)

Model No.	Voltage	Power	Current
MSM4012	12V	40W	3.3A
MSM4015	15V	40W	2.6A
MSM4018	18V	40W	2.2A
MSM4024	24V	40W	1.67A

Looking for pricing, stock, or lifecycle information?

Click below to explore more details on WIN SOURCE:

-  [View MSM4015 on WIN SOURCE](#)
-  [Inventus Power Information](#)

Optimize Your Supply Chain with WIN SOURCE Solutions

-  Global Sourcing Solution
-  Obsolete Management
-  Cost Control Management
-  Shortage Management
-  Alternative Solution
-  Excess Inventory Management