



**THE DATASHEET OF
MR2835SK**



MR2835SK

Overvoltage Transient Suppressor

The overvoltage transient suppressor is designed for applications requiring a diode with reverse avalanche characteristics for use as reverse power transient suppressor.

Developed to suppress transients in the automotive system, this device operates in reverse mode as power zener diode and will protect expensive modules such as ignition, injection and autoblocking systems from overvoltage conditions.

Features

- High Power Capability
- Economical
- This is a Pb-Free Device

Mechanical Characteristics

- Finish: All External Surfaces are Corrosion Resistant
- Polarity: Cathode to Terminal
- Weight: 1.78 Grams (Approximately)
- Maximum Temperature for Soldering Purposes: 260°C for 10 s using a Belt Furnace

MAXIMUM RATINGS

Rating	Symbol	Value	Unit
DC Blocking Voltage	V_R	23	V
Peak Repetitive Reverse Surge Current (Time Constant = 10 ms, $T_C = 25^\circ\text{C}$)	I_{RSM}	62	A
Non-Repetitive Peak Surge Current (Half-wave, Single Phase, 50 Hz)	I_{FSM}	400	A
Storage Temperature Range	T_{stg}	-40 to +150	°C
Operating Junction Temperature Range	T_J	-40 to +150	°C

THERMAL CHARACTERISTICS

Characteristic	Symbol	Value	Unit
Thermal Resistance, Junction-to-Case	$R_{\theta JC}$	1.0	°C/W

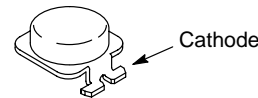
Stresses exceeding Maximum Ratings may damage the device. Maximum Ratings are stress ratings only. Functional operation above the Recommended Operating Conditions is not implied. Extended exposure to stresses above the Recommended Operating Conditions may affect device reliability.



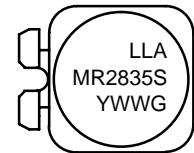
ON Semiconductor®

<http://onsemi.com>

MARKING DIAGRAM



TOP CAN BUTTON
CASE 460



LLA = Lot Number
MR2835S = Specific Device Code
Y = Year
WW = Work Week
G = Pb-Free Package

ORDERING INFORMATION

Device	Package	Shipping†
MR2835SK	Top Can Button*	500/Tape & Reel
MR2835SKG	Top Can Button*	500/Tape & Reel

†For information on tape and reel specifications, including part orientation and tape sizes, please refer to our Tape and Reel Packaging Specifications Brochure, BRD8011/D.

*This package is inherently Pb-Free.

MR2835SK

ELECTRICAL CHARACTERISTICS ($T_C = 25^\circ\text{C}$ unless otherwise noted)

Characteristic	Symbol	Min	Max	Unit
Instantaneous Forward Voltage ($I_F = 100\text{ A}$) (Note 1)	V_F	-	1.1	V
Reverse Current ($V_R = 20\text{ V}$) (Note 1)	I_R	-	5.0	μA
Breakdown Voltage ($I_Z = 100\text{ mA}$) (Note 1)	$V_{(BR)}$	24	32	V
Breakdown Voltage ($I_Z = 80\text{ A}$, $T_C = 85^\circ\text{C}$, $PW = 80\ \mu\text{s}$)	$V_{(BR)}$	-	40	V
Breakdown Voltage Temperature Coefficient	$V_{(BR)TC}$	-	0.09	$\%/^\circ\text{C}$
Forward Voltage Temperature Coefficient ($I_F = 10\text{ mA}$)	V_{FTC}	-	-2.0*	$\text{mV}/^\circ\text{C}$

1. Pulse Test: Pulse Width < 300 μs , Duty Cycle < 2%.

*Typical

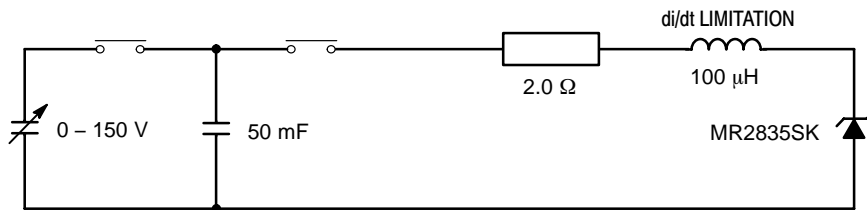


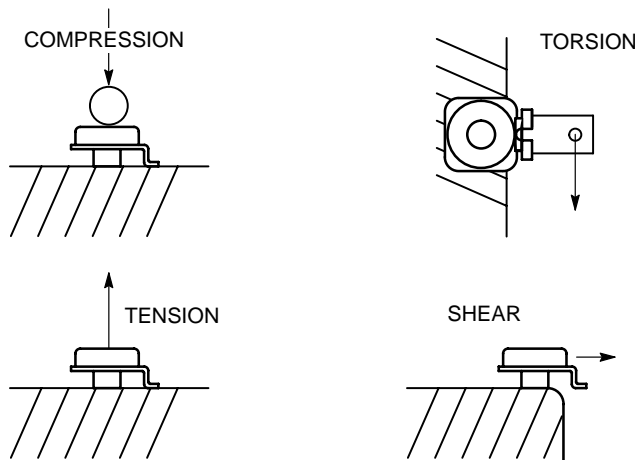
Figure 1. Load Dump Test Circuit

MOUNTING AND HANDLING

The mechanical stress limits for the Top Can diode are as follows:

Compression:	33.7 lbs	150 newtons
Tension:	33.7 lbs	150 newtons
Torsion:	6.3 inch lbs	0.7 newton meters
Shear:	56.2 lbs	250 newtons

MECHANICAL STRESS



MR2835SK

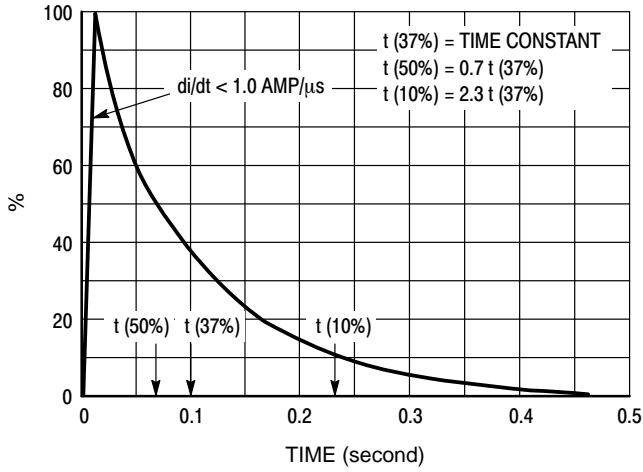


Figure 2. Load Dump Pulse Current

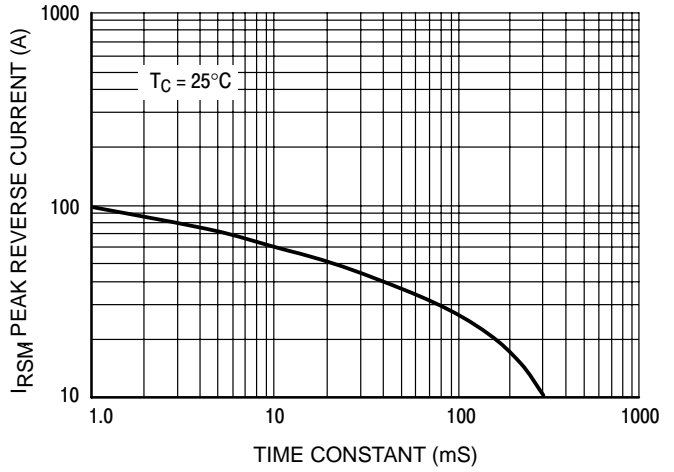


Figure 3. Maximum Peak Reverse Current

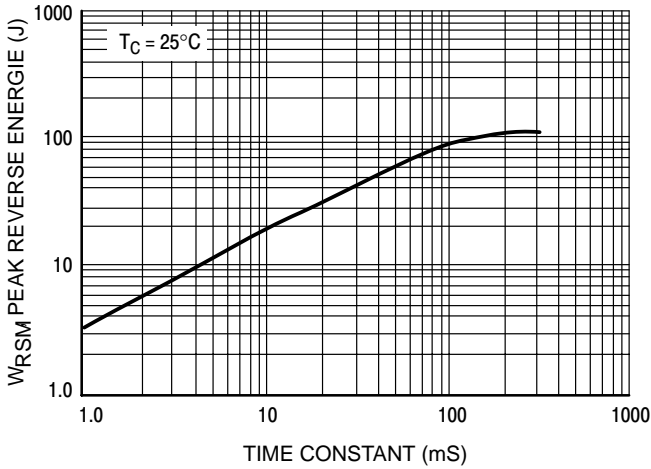


Figure 4. Maximum Reverse Energy

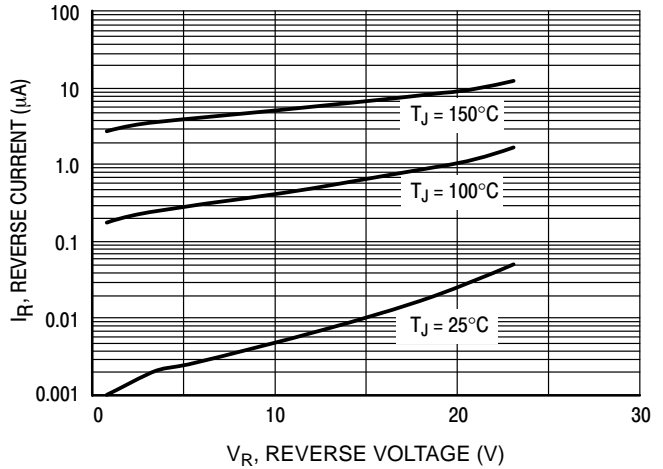


Figure 5. Typical Reverse Current

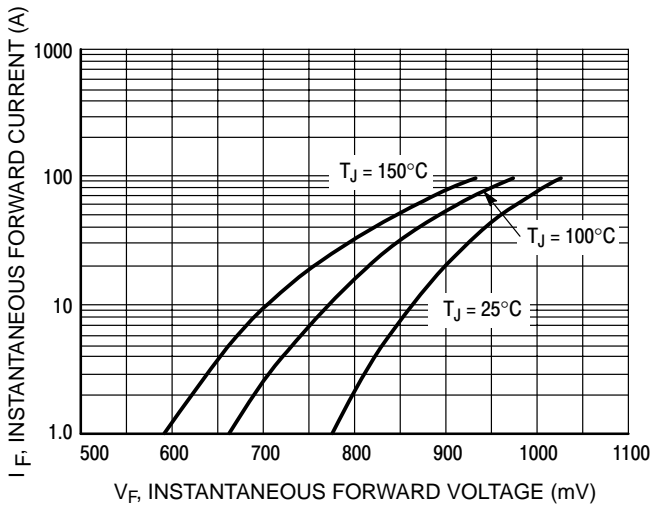


Figure 6. Typical Forward Voltage

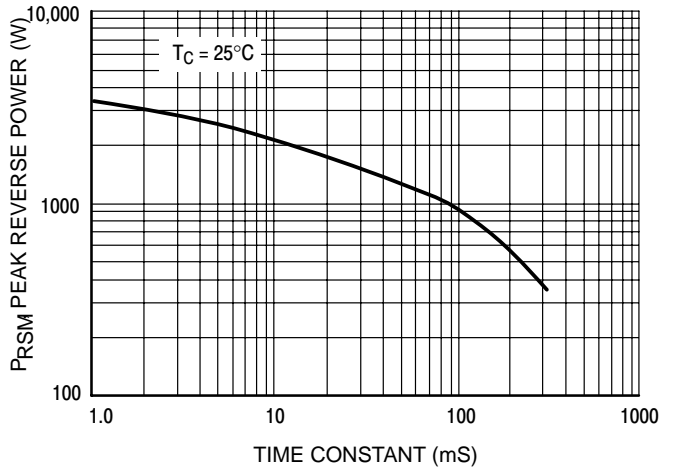


Figure 7. Maximum Peak Reverse Power

MR2835SK

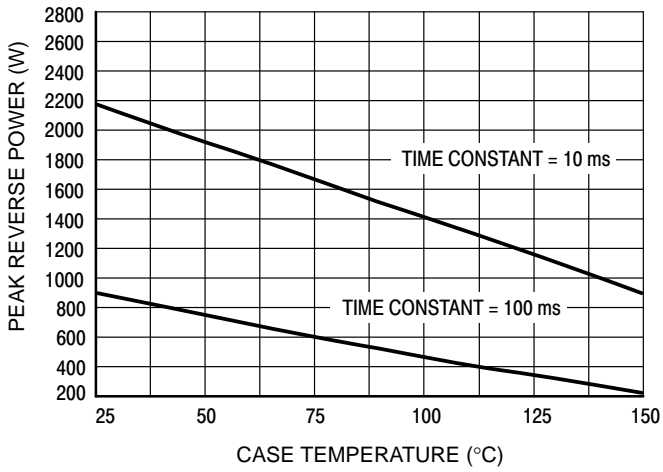


Figure 8. Reverse Power Derating

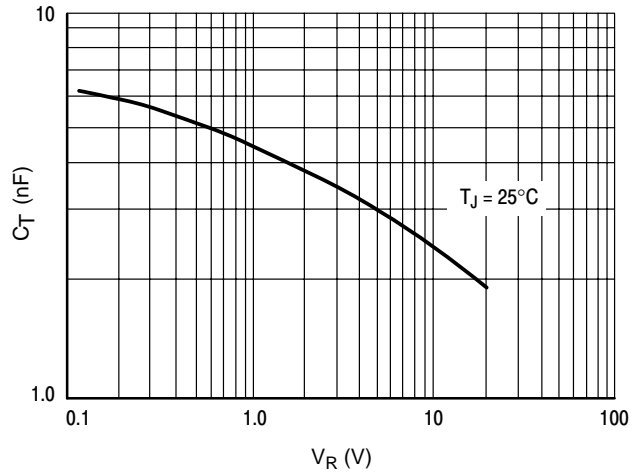


Figure 9. Typical Reverse Capacitance

Reel of 500 Units

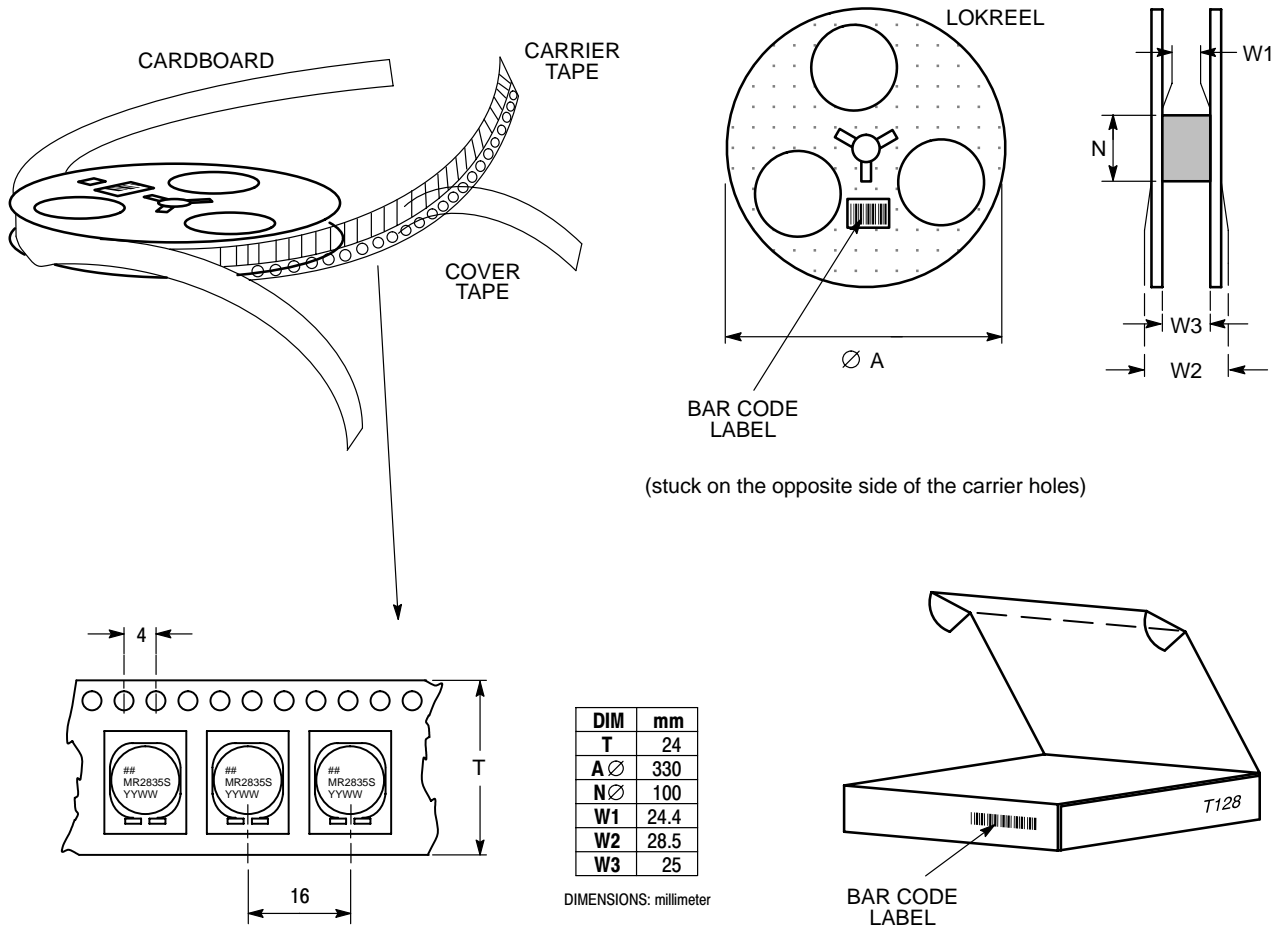
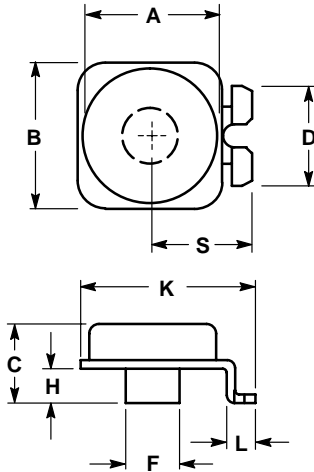


Figure 10. Reel Packing of MR2835SK – Top Can

MR2835SK

PACKAGE DIMENSIONS

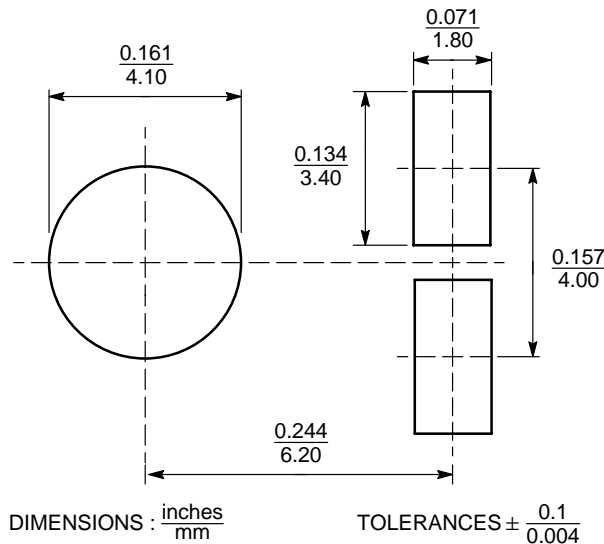
TOP CAN BUTTON CASE 460-02 ISSUE B




- NOTES:
1. DIMENSIONING AND TOLERANCING PER ANSI Y14.5M, 1982.
2. CONTROLLING DIMENSION: MILLIMETER.

DIM	MILLIMETERS		INCHES	
	MIN	MAX	MIN	MAX
A	9.1	9.5	0.358	0.374
B	9.5	9.9	0.374	0.390
C	5.2	5.6	0.205	0.220
D	6.4	6.8	0.252	0.268
F	3.4	3.8	0.134	0.149
H	2.0	2.4	0.079	0.095
K	11.4	11.8	0.449	0.465
L	1.8	2.2	0.071	0.087
S	6.5	6.9	0.256	0.272

SOLDERING FOOTPRINT*



*For additional information on our Pb-Free strategy and soldering details, please download the ON Semiconductor Soldering and Mounting Techniques Reference Manual, SOLDERRM/D.

ON Semiconductor and  are registered trademarks of Semiconductor Components Industries, LLC (SCILLC). SCILLC reserves the right to make changes without further notice to any products herein. SCILLC makes no warranty, representation or guarantee regarding the suitability of its products for any particular purpose, nor does SCILLC assume any liability arising out of the application or use of any product or circuit, and specifically disclaims any and all liability, including without limitation special, consequential or incidental damages. "Typical" parameters which may be provided in SCILLC data sheets and/or specifications can and do vary in different applications and actual performance may vary over time. All operating parameters, including "Typicals" must be validated for each customer application by customer's technical experts. SCILLC does not convey any license under its patent rights nor the rights of others. SCILLC products are not designed, intended, or authorized for use as components in systems intended for surgical implant into the body, or other applications intended to support or sustain life, or for any other application in which the failure of the SCILLC product could create a situation where personal injury or death may occur. Should Buyer purchase or use SCILLC products for any such unintended or unauthorized application, Buyer shall indemnify and hold SCILLC and its officers, employees, subsidiaries, affiliates, and distributors harmless against all claims, costs, damages, and expenses, and reasonable attorney fees arising out of, directly or indirectly, any claim of personal injury or death associated with such unintended or unauthorized use, even if such claim alleges that SCILLC was negligent regarding the design or manufacture of the part. SCILLC is an Equal Opportunity/Affirmative Action Employer. This literature is subject to all applicable copyright laws and is not for resale in any manner.

PUBLICATION ORDERING INFORMATION

LITERATURE FULFILLMENT:
Literature Distribution Center for ON Semiconductor
P.O. Box 5163, Denver, Colorado 80217 USA
Phone: 303-675-2175 or 800-344-3860 Toll Free USA/Canada
Fax: 303-675-2176 or 800-344-3867 Toll Free USA/Canada
Email: orderlit@onsemi.com

N. American Technical Support: 800-282-9855 Toll Free
USA/Canada
Europe, Middle East and Africa Technical Support:
Phone: 421 33 790 2910
Japan Customer Focus Center
Phone: 81-3-5773-3850

ON Semiconductor Website: www.onsemi.com
Order Literature: <http://www.onsemi.com/orderlit>
For additional information, please contact your local Sales Representative

Looking for pricing, stock, or lifecycle information?

Click below to explore more details on WIN SOURCE:

 [View MR2835SK](#) on WIN SOURCE

 [ON Semiconductor](#) Information

Optimize Your Supply Chain with WIN SOURCE Solutions

-  Global Sourcing Solution
-  Obsolete Management
-  Cost Control Management
-  Shortage Management
-  Alternative Solution
-  Excess Inventory Management