



THE DATASHEET OF MPC8315VRAGDA



MPC8315E

PowerQUICC II Pro Processor

Hardware Specifications

This document provides an overview of the MPC8315E PowerQUICC™ II Pro processor features, including a block diagram showing the major functional components. The MPC8315E contains a core built on Power Architecture™ technology. It is a cost-effective, low-power, highly integrated host processor that addresses the requirements of several storage, consumer, and industrial applications, including main CPUs and I/O processors in network attached storage (NAS), voice over IP (VoIP) router/gateway, intelligent wireless LAN (WLAN), set top boxes, industrial controllers, and wireless access points. The MPC8315E extends the PowerQUICC II Pro family, adding higher CPU performance, new functionality, and faster interfaces while addressing the requirements related to time-to-market, price, power consumption, and package size. Note that while the MPC8315E supports a security engine, the MPC8315 does not.

Contents

| | |
|--|-----|
| 1. Overview | 2 |
| 2. MPC8315E Features | 2 |
| 3. Electrical Characteristics | 8 |
| 4. Power Characteristics | 14 |
| 5. Clock Input Timing | 15 |
| 6. RESET Initialization | 17 |
| 7. DDR and DDR2 SDRAM | 18 |
| 8. DUART | 24 |
| 9. Ethernet: Three-Speed Ethernet, MII Management .. | 24 |
| 10. USB | 39 |
| 11. Local Bus | 41 |
| 12. JTAG | 44 |
| 13. I ² C | 47 |
| 14. PCI | 49 |
| 15. High-Speed Serial Interfaces (HSSI) | 51 |
| 16. PCI Express | 61 |
| 17. Serial ATA (SATA) | 68 |
| 18. Timers | 70 |
| 19. GPIO | 71 |
| 20. IPIC | 72 |
| 21. SPI | 72 |
| 22. TDM | 74 |
| 23. Package and Pin Listings | 76 |
| 24. Clocking | 90 |
| 25. Thermal | 95 |
| 26. System Design Information | 100 |
| 27. Ordering Information | 103 |
| 28. Revision History | 105 |

1 Overview

The MPC8315E incorporates the e300c3 (MPC603e-based) core, which includes 16 Kbytes of L1 instruction and data caches, on-chip memory management units (MMUs), and floating-point support. In addition to the e300 core, the SoC platform includes features such as dual enhanced three-speed 10, 100, 1000 Mbps Ethernet controllers (eTSECs) with SGMII support, a 32- or 16-bit DDR1/DDR2 SDRAM memory controller, dual SATA 3 Gbps controllers (MPC8315E-specific), a security engine to accelerate control and data plane security protocols, and a high degree of software compatibility with previous-generation PowerQUICC processor-based designs for backward compatibility and easier software migration. The MPC8315E also offers peripheral interfaces such as a 32-bit PCI interface with up to 66 MHz operation, 16-bit enhanced local bus interface with up to 66 MHz operation, TDM interface, and USB 2.0 with an on-chip USB 2.0 PHY.

The MPC8315E offers additional high-speed interconnect support with dual integrated SATA 3 Gbps interfaces and dual single-lane PCI Express interfaces. When not used for PCI Express, the SerDes interface may be configured to support SGMII. The MPC8315E security engine (SEC 3.3) allows CPU-intensive cryptographic operations to be offloaded from the main CPU core. This figure shows a block diagram of the MPC8315E.

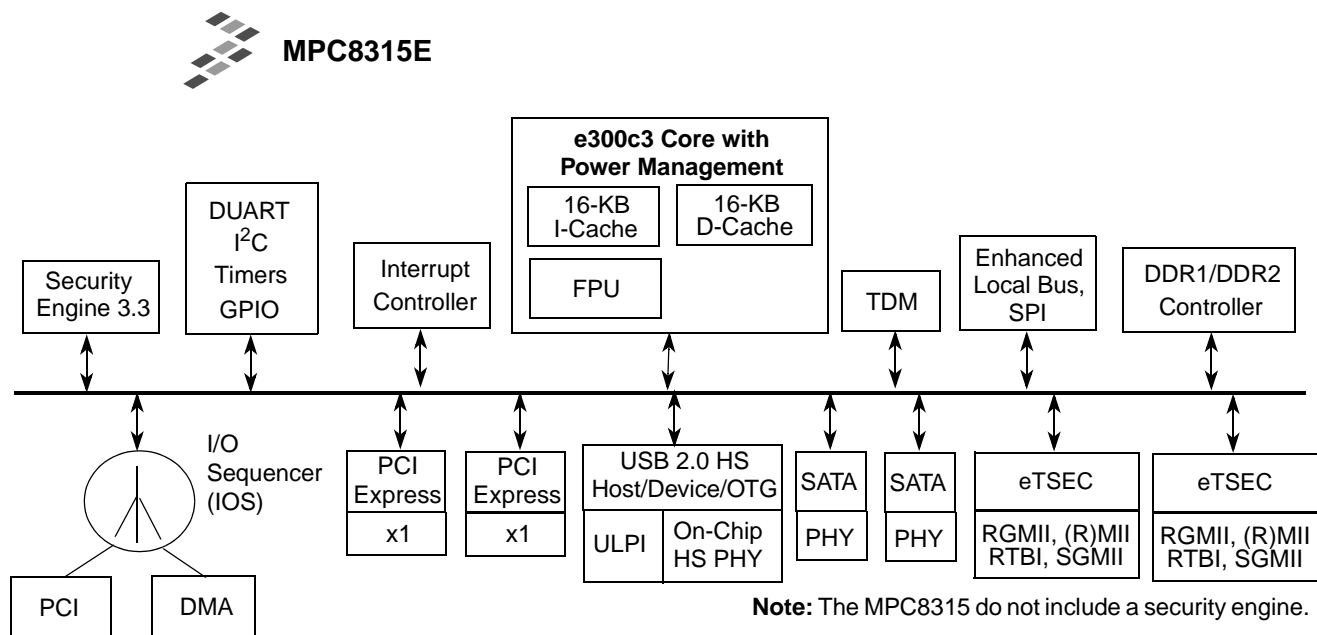


Figure 1. MPC8315E Block Diagram

2 MPC8315E Features

The following features are supported in the MPC8315E.

2.1 e300 Core

The e300 core has the following features:

- Operates at up to 400 MHz

- 16-Kbyte instruction cache, 16-Kbyte data cache
- One floating point unit and two integer units
- Software-compatible with the Freescale processor families implementing the PowerPC Architecture
- Performance monitor

2.2 Serial Interfaces

The following interfaces are supported in the MPC8315E.

- Two enhanced TSECs (eTSECs)
- Two Ethernet interfaces using one RGMII/MII/RMII/RTBI or SGMII (no GMII)
- Dual UART, one I²C, and one SPI interface

2.3 Security Engine

The security engine is optimized to handle all the algorithms associated with IPSec, 802.11i, and iSCSI. The security engine contains one crypto-channel, a controller, and a set of crypto execution units (EUs). The execution units are:

- Public key execution unit (PKEU)
 - RSA and Diffie-Hellman (to 4096 bits)
 - Programmable field size up to 2048 bits
 - Elliptic curve cryptography (1023 bits)
 - F2m and F(p) modes
 - Programmable field size up to 511 bits
- Data encryption standard execution unit (DEU)
 - DES, 3DES
 - Two key (K1, K2) or three key (K1, K2, K3)
 - ECB, CBC, CFB-64 and OFB-64 modes for both DES and 3DES
- Advanced encryption standard unit (AESU)
 - Implements the Rijndael symmetric key cipher
 - Key lengths of 128, 192, and 256 bits
 - ECB, CBC, CCM, CTR, GCM, CMAC, OFB, CFB, XCBC-MAC and LRW modes
 - XOR acceleration
- Message digest execution unit (MDEU)
 - SHA with 160-bit, 256-bit, 384-bit and 512-bit message digest
 - SHA-384/512
 - MD5 with 128-bit message digest
 - HMAC with either algorithm
- Random number generator (RNG)

- Combines a True Random Number Generator (TRNG) and a NIST-approved Pseudo-Random Number Generator (PRNG) (as described in Annex C of FIPS140-2 and ANSI X9.62).
- Cyclical Redundancy Check Hardware Accelerator (CRCA)
 - Implements CRC32C as required for iSCSI header and payload checksums, CRC32 as required for IEEE 802 packets, as well as for programmable 32 bit CRC polynomials

2.4 DDR Memory Controller

The DDR1/DDR2 memory controller includes the following features:

- Single 16- or 32-bit interface supporting both DDR1 and DDR2 SDRAM
- Support for up to 266 MHz data rate
- Support for two physical banks (chip selects), each bank independently addressable
- 64-Mbit to 2-Gbit (for DDR1) and to 4-Gbit (for DDR2) devices with x8/x16 data ports (no direct x4 support)
- Support for one 16-bit device or two 8-bit devices on a 16-bit bus or two 16-bit devices on a 32-bit bus
- Support for up to 16 simultaneous open pages
- Supports auto refresh
- On-the-fly power management using CKE
- 1.8-/2.5-V SSTL2 compatible I/O

2.5 PCI Controller

The PCI controller includes the following features:

- Designed to comply with *PCI Local Bus Specification Revision 2.3*
- Single 32-bit data PCI interface operates at up to 66 MHz
- PCI 3.3-V compatible (not 5-V compatible)
- Support for host and agent modes
- On-chip arbitration, supporting three external masters on PCI
- Selectable hardware-enforced coherency

2.6 TDM Interface

The TDM interface includes the following features:

- Independent receive and transmit with dedicated data, clock and frame sync line
- Separate or shared RCK and TCK whose source can be either internal or external
- Glueless interface to E1/T1 frames and MVIP, SCAS, and H.110 buses
- Up to 128 time slots, where each slot can be programmed to be active or inactive
- 8- or 16-bit word widths
- The TDM Transmitter Sync Signal (TFS), Transmitter Clock Signal (TCK) and Receiver Clock

- Signal (RCK) can be configured as either input or output
- Frame sync and data signals can be programmed to be sampled either on the rising edge or on the falling edge of the clock
- Frame sync can be programmed as active low or active high
- Selectable delay (0–3 bits) between the Frame Sync signal and the beginning of the frame
- MSB or LSB first support

2.7 USB Dual-Role Controller

The USB controller includes the following features:

- Designed to comply with *USB Specification, Rev. 2.0*
- Supports operation as a stand-alone USB device
 - Supports one upstream facing port
 - Supports three programmable USB endpoints
- Supports operation as a stand-alone USB host controller
 - Supports USB root hub with one downstream-facing port
 - Enhanced host controller interface (EHCI) compatible
- Supports high-speed (480 Mbps), full-speed (12 Mbps), and low-speed (1.5 Mbps) operation. Low-speed operation is supported only in host mode.
- Supports UTMI+ low pin interface (ULPI) or on-chip USB-2.0 full-speed/high-speed PHY
- Supports USB on-the-go mode, which includes both device and host functionality, when using an external ULPI PHY

2.8 Dual PCI Express Interfaces

The PCI Express interfaces have the following features:

- PCI Express 1.0a compatible
- x1 link width
- Selectable operation as root complex or endpoint
- Both 32- and 64-bit addressing
- 128-byte maximum payload size
- Support for MSI and INTx interrupt messages
- Virtual channel 0 only
- Selectable Traffic Class
- Full 64-bit decode with 32-bit wide windows
- Dedicated descriptor based DMA engine per interface with separate read and write channels

2.9 Dual Serial ATA (SATA) Controllers

The SATA controllers have the following features:

- Designed to comply with *Serial ATA Rev 2.5 Specification*
- ATAPI 6+
- Spread spectrum clocking on receive
- Asynchronous notification
- Hot plug including asynchronous signal recovery
- Link power management
- Native command queuing
- Staggered spin-up and port multiplier support
- SATA 1.5 and 3.0 Gbps operation
- Interrupt driven
- Power management support
- Error handling and diagnostic features
 - Far end/near end loopback
 - Failed CRC error reporting
 - Increased ALIGN insertion rates
 - Scrambling and CONT override

2.10 Dual Enhanced Three-Speed Ethernet Controllers (eTSECs)

The eTSECs include the following features:

- Two SGMII/RGMII/MII/RMII/RTBI interfaces
- Two controllers designed to comply with IEEE Std 802.3™, IEEE 802.3u™, IEEE 802.3x™, IEEE 802.3z™, IEEE 802.3au™, IEEE 802.3ab™, and IEEE Std 1588™
- Support for Wake-on-Magic Packet™, a method to bring the device from standby to full operating mode
- MII management interface for external PHY control and status.

2.11 Integrated Programmable Interrupt Controller (IPIC)

The integrated programmable interrupt controller (IPIC) provides a flexible solution for general-purpose interrupt control. The IPIC programming model is compatible with the MPC8260 interrupt controller and supports external and internal discrete interrupt sources. Interrupts can also be redirected to an external interrupt controller.

2.12 Power Management Controller (PMC)

The MPC8315E supports a range of power management states that significantly lower power consumption under the control of the power management controller. The PMC includes the following features:

- Provides power management when the device is used in both PCI host and agent modes
- PCI Power Management 1.2 D0, D1, D2, D3hot, and D3cold states
- PME generation in PCI agent mode, PME detection in PCI host mode
- Wake-up from Ethernet (magic packet), USB, GPIO, and PCI (PME input as host) while in the D1, D2 and D3hot states
- A new low-power standby power management state called D3warm
 - The PMC, one Ethernet port, and the GTM block remain powered via a split power supply controlled through an external power switch
 - Wake-up events include Ethernet (magic packet), GTM, GPIO, or IRQ inputs and cause the device to transition back to normal operation
 - PCI agent mode is not supported in D3warm state
- PCI Express-based PME events are not supported

2.13 Serial Peripheral Interface (SPI)

The serial peripheral interface (SPI) allows the MPC8315E to exchange data between other PowerQUICC family chips, Ethernet PHYs for configuration, and peripheral devices such as EEPROMs, real-time clocks, A/D converters, and ISDN devices.

The SPI is a full-duplex, synchronous, character-oriented channel that supports a four-wire interface (receive, transmit, clock, and slave select). The SPI block consists of transmitter and receiver sections, an independent baud-rate generator, and a control unit.

2.14 DMA Controller, I²C, DUART, Enhanced Local Bus Controller (eLBC), and Timers

The integrated four-channel DMA controller includes the following features:

- Allows chaining (both extended and direct) through local memory-mapped chain descriptors (accessible by local masters)
- Misaligned transfer capability for source/destination address
- Supports external DREQ, DACK and DONE signals

There is one I²C controller. This synchronous, multi-master buses can be connected to additional devices for expansion and system development.

The DUART supports full-duplex operation and is compatible with the PC16450 and PC16550 programming models. 16-byte FIFOs are supported for both the transmitter and the receiver.

The eLBC port allows connections with a wide variety of external DSPs and ASICs. Three separate state machines share the same external pins and can be programmed separately to access different types of devices. The general-purpose chip select machine (GPCM) controls accesses to asynchronous devices

using a simple handshake protocol. The three user programmable machines (UPMs) can be programmed to interface to synchronous devices or custom ASIC interfaces. Each chip select can be configured so that the associated chip interface can be controlled by the GPCM or UPM controller. Both may exist in the same system. The local bus can operate at up to 66 MHz.

The system timers include the following features: periodic interrupt timer, real time clock, software watchdog timer, and two general-purpose timer blocks.

3 Electrical Characteristics

This section provides the AC and DC electrical specifications and thermal characteristics for the MPC8315E, which is currently targeted to these specifications. Some of these specifications are independent of the I/O cell, but they are included for complete reference. These are not purely I/O buffer design specifications.

3.1 Overall DC Electrical Characteristics

This section covers the ratings, conditions, and other characteristics.

3.1.1 Absolute Maximum Ratings

This table provides the absolute maximum ratings.

Table 1. Absolute Maximum Ratings ¹

| Characteristic | | Symbol | Max Value | Unit | Note |
|--|------------|---|--------------------------------|------|------|
| Core supply voltage | | VDD | -0.3 to 1.26 | V | — |
| PLL supply voltage | | AVDD | -0.3 to 1.26 | V | — |
| DDR1 DRAM I/O supply voltage | | GVDD | -0.3 to 2.7 | V | — |
| DDR2 DRAM I/O supply voltage | | GVDD | -0.3 to 1.9 | V | — |
| PCI, local bus, DUART, system control and power management, I ² C, Ethernet management, 1588 timer and JTAG I/O voltage | | NVDD | -0.3 to 3.6 | V | 7 |
| USB, and eTSEC I/O voltage | | LVDD | -0.3 to 2.75 or -0.3 to 3.6 | V | 6, 8 |
| PHY voltage | USB PHY | USB_PLL_PWR1 | -0.3 to 1.26 | V | — |
| | | USB_PLL_PWR3, USB_VDDA_BIAS, VDDA | -0.3 to 3.6 | V | — |
| | SERDES PHY | XCOREVDD, XPADVDD, SDAVDD | -0.3 to 1.26 | V | — |
| | SATA PHY | SATA_VDD, VDD1IO, VDD1ANA | -0.3 to 1.26 | V | — |
| VDD33PLL, VDD33ANA | | -0.3 to 3.6 | V | — | |

Table 1. Absolute Maximum Ratings ¹ (continued)

| Characteristic | | Symbol | Max Value | Unit | Note |
|---------------------------|---|-----------|----------------------|------|------|
| Input voltage | DDR DRAM signals | MV_{IN} | -0.3 to (GVDD + 0.3) | V | 2, 4 |
| | DDR DRAM reference | MVREF | -0.3 to (GVDD + 0.3) | V | 2, 4 |
| | eTSEC signals | LV_{IN} | -0.3 to (LVDD + 0.3) | V | 3, 4 |
| | Local bus, DUART, SYS_CLK_IN, system control and power management, I ² C, and JTAG signals | NV_{IN} | -0.3 to (NVDD + 0.3) | V | 3, 4 |
| | PCI | NV_{IN} | -0.3 to (NVDD + 0.3) | V | 5 |
| | SATA_CLKIN | NV_{IN} | -0.3 to (NVDD + 0.3) | V | 3, 4 |
| Storage temperature range | | T_{STG} | -55 to 150 | °C | — |

Note:

1. Functional and tested operating conditions are given in [Table 2](#). Absolute maximum ratings are stress ratings only, and functional operation at the maximums is not guaranteed. Stresses beyond those listed may affect device reliability or cause permanent damage to the device.
2. **Caution:** MV_{IN} must not exceed GVDD by more than 0.3 V. This limit may be exceeded for a maximum of 20 ms during power-on reset and power-down sequences.
3. **Caution:** (N,L) V_{IN} must not exceed (N,L)VDD by more than 0.3 V. This limit may be exceeded for a maximum of 20 ms during power-on reset and power-down sequences.
4. (M,N,L) V_{IN} and MVREF may overshoot/undershoot to a voltage and for a maximum duration as shown in [Figure 2](#).
5. NV_{IN} on the PCI interface may overshoot/undershoot according to the PCI Electrical Specification for 3.3-V operation, as shown in [Figure 2](#).
6. The max value of supply voltage should be selected based on the RGMII mode.
7. NVDD means NVDD1_OFF, NVDD1_ON, NVDD2_OFF, NVDD2_ON, NVDD3_OFF, NVDD4_OFF
8. LVDD means LVDD1_OFF and LVDD2_ON

3.1.2 Power Supply Voltage Specification

This table provides the recommended operating conditions for the MPC8315E. Note that the values in this table are the recommended and tested operating conditions. Proper device operation outside of these conditions is not guaranteed.

Table 2. Recommended Operating Conditions

| Characteristic | Symbol | Recommended Value ¹ | Unit | Status in D3 Warm mode | Note |
|--|---------------|--------------------------------|------|------------------------|------|
| SerDes internal digital power | XCOREVDD | 1.0 ± 50 mv | V | Switched Off | — |
| SerDes internal digital power | XCOREVSS | 0.0 | V | — | — |
| SerDes I/O digital power | XPADVDD | 1.0 ± 50 mv | V | Switched Off | — |
| SerDes I/O digital power | XPADVSS | 0.0 | V | — | — |
| SerDes analog power for PLL | SDAVDD | 1.0 ± 50 mv | V | Switched Off | — |
| SerDes analog power for PLL | SDAVSS | 0.0 | V | — | — |
| Dedicated 3.3 V analog power for USB PLL | USB_PLL_PWR3 | 3.3 ± 165mv | V | Switched Off | — |
| Dedicated 1.0 V analog power for USB PLL | USB_PLL_PWR1 | 1.0 ± 50 mv | V | Switched Off | — |
| Dedicated analog ground for USB PLL | USB_PLL_GND | 0.0 | V | — | — |
| Dedicated USB power for USB bias circuit | USB_VDDA_BIAS | 3.3 ± 300 mv | V | Switched Off | — |

Table 2. Recommended Operating Conditions (continued)

| Characteristic | Symbol | Recommended Value ¹ | Unit | Status in D3 Warm mode | Note |
|--|--------------------------------|--------------------------------|------|------------------------|------|
| Dedicated USB ground for USB bias circuit | USB_VSSA_BIAS | 0.0 | V | — | — |
| Dedicated power for USB transceiver | USB_VDDA | 3.3 ± 300 mv | V | Switched Off | — |
| Dedicated ground for USB transceiver | USB_VSSA | 0.0 | V | — | — |
| SATA digital power | SATA_VDD | 1.0 ± 50 mv | V | Switched Off | — |
| SATA digital ground | SATA_VSS | 0.0 | V | — | — |
| SATA analog I/O power | VDD1IO | 1.0 ± 50 mv | V | Switched Off | — |
| SATA analog I/O ground | VSS1IO | 0.0 | V | — | — |
| SATA core analog power | VDD1ANA | 1.0 ± 50 mv | V | Switched Off | — |
| SATA analog ground | VSS1ANA | 0.0 | V | — | — |
| SATA analog power PLL | VDD33PLL | 3.3 ± 165 mv | V | Switched Off | — |
| SATA 3.3 analog power | VDD33ANA | 3.3 ± 165 mv | V | Switched Off | — |
| SATA reference analog ground | VSSRESREF | 0.0 | V | — | — |
| Core supply voltage | VDD | 1.0 ± 50 mv | V | Switched Off | — |
| Core supply voltage | VDDC | 1.0 ± 50 mv | V | Switched On | — |
| Analog power for e300 core APLL | AVDD1 | 1.0 ± 50 mv | V | Switched Off | 6 |
| Analog power for system APLL | AVDD2 | 1.0 ± 50 mv | V | Switched On | 6 |
| DDR and DDR2 DRAM I/O voltage | GVDD | 2.5 ± 200 mv 1.8 ± 100 mv | V | Switched Off | — |
| Differential reference voltage for DDR and DDR2 controller | MVREF | GVDD / 2 | V | Switched Off | — |
| Standard I/O voltage | NVDD1_ON | 3.3 ± 300 mv | V | Switched On | 1 |
| Standard I/O voltage | NVDD2_ON | 3.3 ± 300 mv | V | Switched On | 1 |
| Standard I/O voltage | NVDD1_OFF | 3.3 ± 300 mv | V | Switched Off | 2 |
| Standard I/O voltage | NVDD2_OFF | 3.3 ± 300 mv | V | Switched Off | 2 |
| Standard I/O voltage | NVDD3_OFF | 3.3 ± 300 mv | V | Switched Off | 2 |
| Standard I/O voltage | NVDD4_OFF | 3.3 ± 300 mv | V | Switched Off | 2 |
| eTSEC/USBdr I/O supply | LVDD1_OFF | 2.5 ± 125 mv 3.3 ± 300 mv | V | Switched Off | — |
| eTSEC I/O supply | LVDD2_ON | 2.5 ± 125 mv 3.3 ± 300 mv | V | Switched On | — |
| Analog and digital ground | VSS | 0.0 | V | — | — |
| Junction temperature range | T _A /T _J | 0 to 105 | °C | — | 3 |

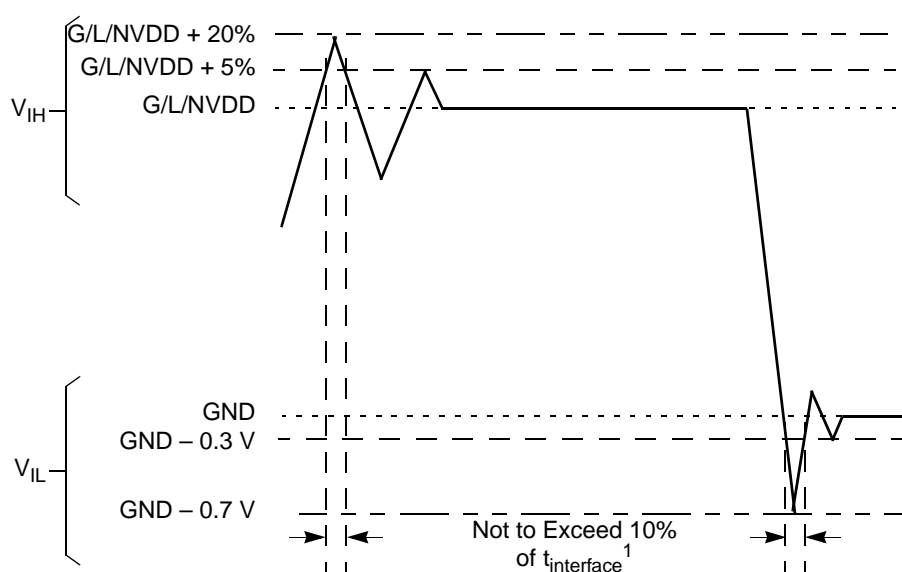
Table 2. Recommended Operating Conditions (continued)

| Characteristic | Symbol | Recommended Value ¹ | Unit | Status in D3 Warm mode | Note |
|----------------|--------|--------------------------------|------|------------------------|------|
|----------------|--------|--------------------------------|------|------------------------|------|

Note:

1. The NVDDx_ON are static power supplies and can be connected together.
2. The NVDDx_OFF are switchable power supplies and can be connected together.
3. Minimum Temperature is specified with T_A ; maximum temperature is specified with T_J .
4. All Power rails must be connected and power applied to the MPC8315 even if the IP interfaces are not used.
5. All I/O pins should be interfaced with peripherals operating at same voltage level.
6. This voltage is the input to the filter discussed in [Section 26.2, "PLL Power Supply Filtering"](#) and not necessarily the voltage at the AVDD pin.
7. All 1V power supplies should be derived from the same source.

This figure shows the undershoot and overshoot voltages at the interfaces of the MPC8315E.


Note:

1. $t_{\text{interface}}$ refers to the clock period associated with the bus clock interface.

Figure 2. Overshoot/Undershoot Voltage for GVDD/NVDD/LVDD

3.1.3 Output Driver Characteristics

This table provides information on the characteristics of the output driver strengths. The values are preliminary estimates.

Table 3. Output Drive Capability

| Driver Type | Output Impedance (Ω) | Supply Voltage |
|---------------------------------------|-------------------------------|----------------|
| Local bus interface utilities signals | 42 | NVDD = 3.3 V |
| PCI signals | 25 | |
| DDR signal ¹ | 18 | GVDD = 2.5 V |
| DDR2 signal 1 | 18 | GVDD = 1.8 V |

Table 3. Output Drive Capability (continued)

| Driver Type | Output Impedance (Ω) | Supply Voltage |
|--|-------------------------------|----------------------|
| DUART, system control, I ² C, JTAG, SPI | 42 | NVDD = 3.3 V |
| GPIO signals | 42 | NVDD = 3.3 V |
| eTSEC | 42 | LVDD = 3.3 V / 2.5 V |

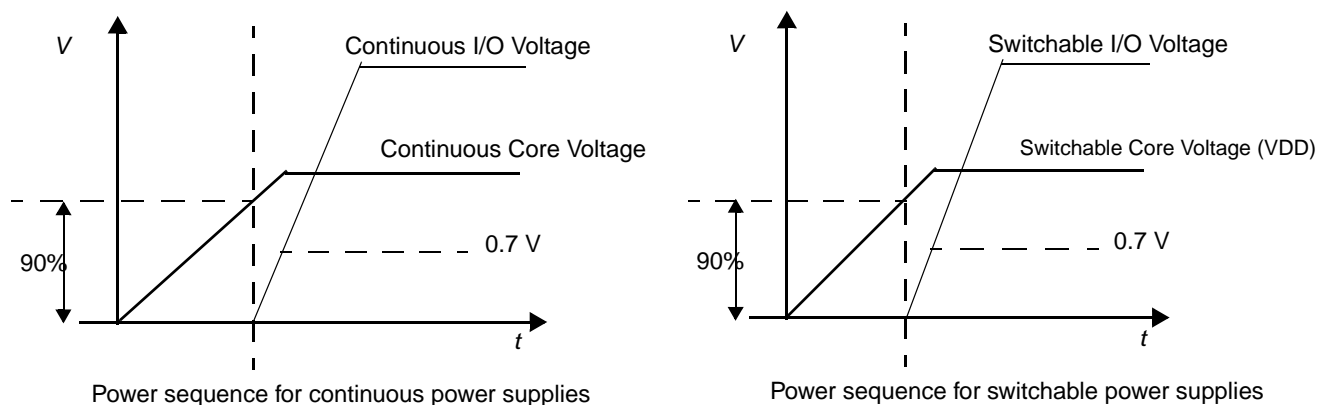
¹ Output Impedance can also be adjusted through configurable options in DDR Control Driver Register (DDRCDR). See the *MPC8315E PowerQUICC II Pro Integrated Host Processor Family Reference Manual*.

3.2 Power Sequencing

The MPC8315E does not require the core supply voltage (VDD and VDDC) and I/O supply voltages (GVDD, LVDDx_ON, LVDDx_OFF, NVDDx_ON and NVDDx_OFF) to be applied in any particular order. During the power ramp up, before the power supplies are stable, if the I/O voltages are supplied before the core voltage, there may be a period of time when all input and output pins be actively driven and cause contention and/or excessive current. In order to avoid actively driving the I/O pins and to eliminate excessive current draw, apply the continuous core voltage (VDDC) before the continuous I/O voltages (LVDDx_ON and NVDDx_ON) and switchable core voltage (VDD) before the switchable I/O voltages (GVDD, LVDDx_OFF, and NVDDx_OFF). PORESET should be asserted before the continuous power supplies fully ramp up. In the case where the core voltage is applied first, the core voltage supply must rise to 90% of its nominal value before the I/O supplies reach 0.7 V, see [Figure 3](#). Once all the power supplies are stable, wait for a minimum of 32 clock cycles before negating PORESET.

The I/O power supply ramp-up slew rate should be slower than 4V/100 μ s, this requirement is for ESD circuit.

This figure shows the power-up sequencing for switchable and continuous supplies.


Figure 3. Power-Up Sequencing

When switching from normal mode to D3 warm (standby) mode, first turn off the switchable I/O voltage supply and then turn off the switchable core voltage supply. Similarly, when switching from D3 warm (standby) mode to normal mode, first turn on the switchable core voltage supply and then turn on the switchable I/O voltage supply.

CAUTION

When the device is in D3 warm (standby) mode, all external voltage supplies applied to any I/O pins, with the exception of wake-up pins, must be turned off. Applying supplied external voltage to any I/O pins, except the wake up pins, while the device is in D3 warm standby mode may cause permanent damage to the device.

An example of the power-up sequencing is shown in Figure 4 when implemented along with low power D3 warm mode.

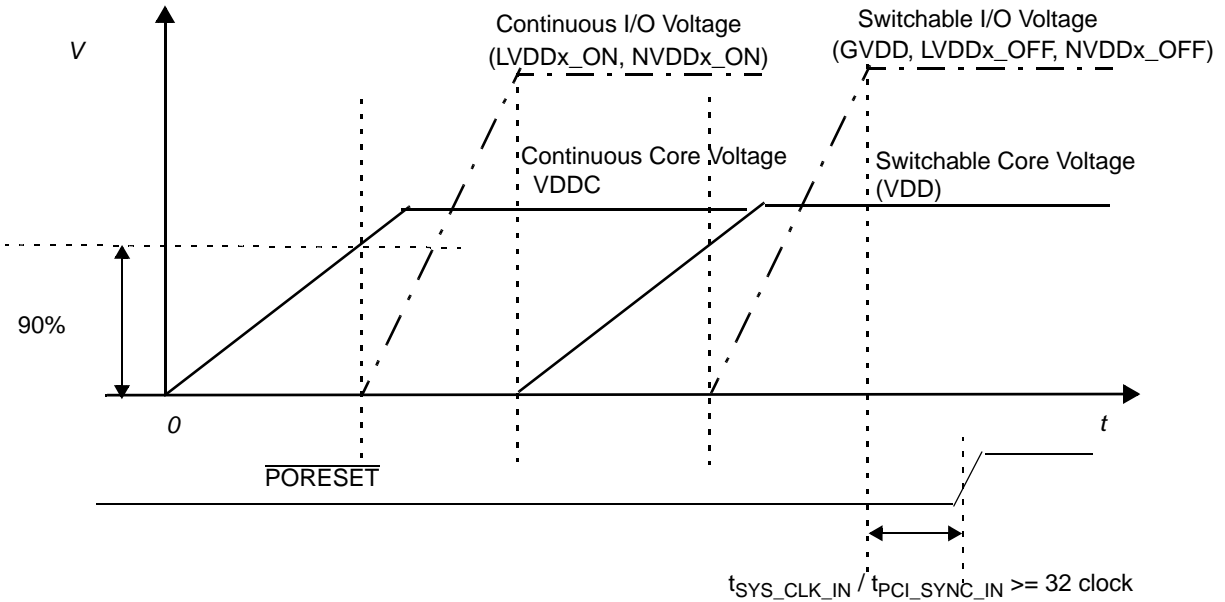


Figure 4. Power Up Sequencing Example with Low power D3 Warm Mode

The switchable and continuous supplies can be combined when the D3 warm mode is not used.

The SATA power supplies VDD33PLL and VDD33ANA should go high after NVDD3_OFF supply and go low before NVDD3_OFF supply. The NVDD3_OFF voltage levels should not drop below the VDD33PLL, VDD33ANA voltages at any time.

This figure shows the SATA power supplies.

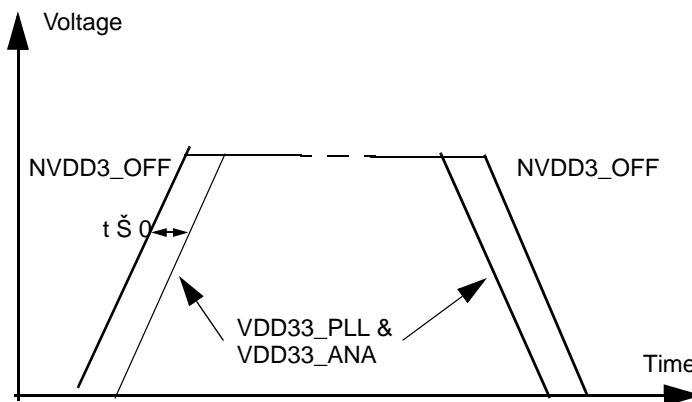


Figure 5. SATA Power Supplies

4 Power Characteristics

This table shows the estimated typical power dissipation for this family of devices.

Table 4. MPC8315E Power Dissipation

(Does not include I/O power dissipation)

| Core Frequency (MHz) | CSB Frequency (MHz) | Typical ^{1,3} | Maximum ^{1,2} | Unit |
|----------------------|---------------------|------------------------|------------------------|------|
| 266 | 133 | 1.116 | 1.646 | W |
| 333 | 133 | 1.142 | 1.665 | W |
| 400 | 133 | 1.167 | 1.690 | W |

Note:

1. The values do not include I/O supply power, but do include core, AVDD, USB PLL, digital SerDes power, and SATA PHY power.
2. Maximum power is based on a voltage of $V_{dd} = 1.05V$, a junction temperature of $T_j = 105^{\circ}C$, and an artificial smoker test.
3. Typical power is based on a voltage of $V_{dd} = 1.05V$, and an artificial smoker test running at room temperature.

This table shows the estimated typical I/O power dissipation for this family of devices.

Table 5. MPC8315E Power Dissipation

| Interface | Frequency | GV_{DD} (1.8 V) | GV_{DD} (2.5 V) | NV_{DD} (3.3 V) | LVDD1_OFF/ LVDD2_ON (3.3V) | LVDD2 _ON (3.3V) | VDD33PLL, VDD33ANA (3.3V) | SATA_VDD, VDD1IO, VDD1ANA (1.0V) | XCOREVDD, XPADVDD, SDAVDD (1.0V) | Unit |
|-------------------------------|--------------------|----------------------|----------------------|----------------------|----------------------------------|------------------------|---------------------------------|---|---|------|
| DDR 1 Rs = 22Ω Rt = 50Ω | 266MHz, 32 bits | — | 0.323 | — | — | — | — | — | — | W |
| | 200MHz, 32 bits | — | 0.291 | — | — | — | — | — | — | W |

Table 5. MPC8315E Power Dissipation (continued)

| Interface | Frequency | GV _{DD} (1.8 V) | GV _{DD} (2.5 V) | NV _{DD} (3.3 V) | LVDD1_OFF/ LVDD2_ON (3.3V) | LVDD2 _ON (3.3V) | VDD33PLL, VDD33ANA (3.3V) | SATA_VDD, VDD1IO, VDD1ANA (1.0V) | XCOREVDD, XPADVDD, SDAVDD (1.0V) | Unit |
|---|----------------------------|-----------------------------|-----------------------------|-----------------------------|----------------------------------|------------------------|---------------------------------|---|---|------|
| DDR 2 Rs = 22Ω Rt = 75Ω | 266MHz, 32 bits | 0.246 | — | — | — | — | — | — | — | W |
| | 200MHz, 32bits | 0.225 | — | — | — | — | — | — | — | W |
| PCI I/O load = 50pF | 33 MHz | — | — | 0.120 | — | — | — | — | — | W |
| | 66 MHz | — | — | 0.249 | — | — | — | — | — | W |
| Local bus I/O load = 20pF | 66 MHz | — | — | — | — | 0.056 | — | — | — | W |
| | 50 MHz | — | — | — | — | 0.040 | — | — | — | W |
| eTSEC I/O load = 20pF Multiple by number of interface used | MII, 25MHz | — | — | — | 0.008 | — | — | — | — | W |
| | RGMII, 125MHz (3.3V) | — | — | — | 0.078 | — | — | — | — | W |
| | RGMII, 125MHz (2.5V) | — | — | — | 0.044 | — | — | — | — | W |
| USBDR Controller (ULPI mode) load =20pF | 60 MHz | — | — | — | 0.078 | — | — | — | — | W |
| USBDR+ Internal PHY (UTMI mode) | 480 MHz | — | — | — | 0.274 | — | — | — | — | W |
| PCI Express two x1lane | 2.5 GHz | — | — | — | — | — | — | — | 0.190 | W |
| SATA two ports | 3.0 GHz | — | — | — | — | — | 0.021 | 0.206 | — | W |
| Other I/O | — | — | — | 0.015 | — | — | — | — | — | W |

5 Clock Input Timing

This section provides the clock input DC and AC electrical characteristics for the MPC8315E.

5.1 DC Electrical Characteristics

This table provides the clock input (SYS_CLK_IN/PCI_SYNC_IN) DC timing specifications for the MPC8315E.

Table 6. SYS_CLK_IN DC Electrical Characteristics

| Parameter | Condition | Symbol | Min | Max | Unit |
|---------------------------|---|----------|------|------------|---------------|
| Input high voltage | — | V_{IH} | 2.4 | NVDD + 0.3 | V |
| Input low voltage | — | V_{IL} | -0.3 | 0.4 | V |
| SYS_CLK_IN input current | $0\text{ V} \leq V_{IN} \leq \text{NVDD}$ | I_{IN} | — | ± 10 | μA |
| SYS_XTAL_IN input current | $0\text{ V} \leq V_{IN} \leq \text{NVDD}$ | I_{IN} | — | ± 40 | μA |
| PCI_SYNC_IN input current | $0\text{ V} \leq V_{IN} \leq \text{NVDD}$ | I_{IN} | — | ± 10 | μA |
| RTC_CLK input current | $0\text{ V} \leq V_{IN} \leq \text{NVDD}$ | I_{IN} | — | ± 10 | μA |
| USB_CLK_IN input current | $0\text{ V} \leq V_{IN} \leq \text{NVDD}$ | I_{IN} | — | ± 10 | μA |
| USB_XTAL_IN input current | $0\text{ V} \leq V_{IN} \leq \text{NVDD}$ | I_{IN} | — | ± 40 | μA |
| SATA_CLK_IN input current | $0\text{ V} \leq V_{IN} \leq \text{NVDD}$ | I_{IN} | — | ± 10 | μA |

5.2 AC Electrical Characteristics

The primary clock source for the MPC8315E can be one of two inputs, SYS_CLK_IN or PCI_CLK, depending on whether the device is configured in PCI host or PCI agent mode. This table provides the clock input (SYS_CLK_IN/PCI_CLK) AC timing specifications for the MPC8315E.

Table 7. SYS_CLK_IN AC Timing Specifications

| Parameter/Condition | Symbol | Min | Typical | Max | Unit | Note |
|-------------------------------|-----------------------------------|-----|---------|-----------|------|---------|
| SYS_CLK_IN/PCI_CLK frequency | $f_{\text{SYS_CLK_IN}}$ | 24 | — | 66.67 | MHz | 1, 6, 7 |
| SYS_CLK_IN/PCI_CLK cycle time | $t_{\text{SYS_CLK_IN}}$ | 15 | — | 41.6 | ns | 6 |
| SYS_CLK_IN rise and fall time | t_{KH}, t_{KL} | 0.6 | — | 4 | ns | 2, 6 |
| PCI_CLK rise and fall time | t_{PCH}, t_{PCL} | 0.6 | 0.8 | 1.2 | ns | 2 |
| SYS_CLK_IN/PCI_CLK duty cycle | $t_{KHK}/t_{\text{SYS_CLK_IN}}$ | 40 | — | 60 | % | 3, 6 |
| SYS_CLK_IN/PCI_CLK jitter | — | — | — | ± 150 | ps | 4, 5, 6 |

Note:

- Caution:** The system, core, and security block must not exceed their respective maximum or minimum operating frequencies.
- Rise and fall times for SYS_CLK_IN/PCI_CLK are specified at 20% to 80% of signal swing.
- Timing is guaranteed by design and characterization.
- This represents the total input jitter—short term and long term—and is guaranteed by design.
- The SYS_CLK_IN/PCI_CLK driver's closed loop jitter bandwidth should be <500 kHz at -20 dB. The bandwidth must be set low to allow cascade-connected PLL-based devices to track SYS_CLK_IN drivers with the specified jitter.
- The parameter names PCI_CLK and PCI_SYNC_IN are used interchangeably in this document.
- Spread spectrum is allowed up to 1% down-spread at 33kHz.(max. rate).

6 RESET Initialization

This section describes the DC and AC electrical specifications for the reset initialization timing and electrical requirements of the MPC8315E.

6.1 RESET DC Electrical Characteristics

This table provides the DC electrical characteristics for the RESET pins of the MPC8315E.

Table 8. RESET Pins DC Electrical Characteristics

| Characteristic | Symbol | Condition | Min | Max | Unit |
|---------------------|----------|---|------|------------|------|
| Input high voltage | V_{IH} | — | 2.0 | NVDD + 0.3 | V |
| Input low voltage | V_{IL} | — | -0.3 | 0.8 | V |
| Input current | I_{IN} | $0\text{ V} \leq V_{IN} \leq \text{NVDD}$ | — | ±5 | μA |
| Output high voltage | V_{OH} | $I_{OH} = -8.0\text{ mA}$ | 2.4 | — | V |
| Output low voltage | V_{OL} | $I_{OL} = 8.0\text{ mA}$ | — | 0.5 | V |
| Output low voltage | V_{OL} | $I_{OL} = 3.2\text{ mA}$ | — | 0.4 | V |

6.2 RESET AC Electrical Characteristics

This table provides the reset initialization AC timing specifications of the MPC8315E.

Table 9. RESET Initialization Timing Specifications

| Parameter/Condition | Min | Max | Unit | Note |
|---|-----|-----|----------------------------|------|
| Required assertion time of $\overline{\text{HRESET}}$ to activate reset flow | 32 | — | $t_{\text{PCI_SYNC_IN}}$ | 1 |
| Required assertion time of $\overline{\text{PORESET}}$ with stable clock applied to SYS_CLK_IN when the device is in PCI host mode | 32 | — | $t_{\text{SYS_CLK_IN}}$ | 2 |
| Required assertion time of $\overline{\text{PORESET}}$ with stable clock applied to PCI_SYNC_IN when the device is in PCI agent mode | 32 | — | $t_{\text{PCI_SYNC_IN}}$ | 1 |
| $\overline{\text{HRESET}}$ assertion (output) | 512 | — | $t_{\text{PCI_SYNC_IN}}$ | 1 |
| Input setup time for POR configuration signals (CFG_RESET_SOURCE[0:3] and CFG_SYS_CLKIN_DIV) with respect to negation of $\overline{\text{PORESET}}$ when the device is in PCI host mode | 4 | — | $t_{\text{SYS_CLK_IN}}$ | 2, 4 |
| Input setup time for POR configuration signals (CFG_RESET_SOURCE[0:3] and CFG_SYS_CLKIN_DIV) with respect to negation of $\overline{\text{PORESET}}$ when the device is in PCI agent mode | 4 | — | $t_{\text{PCI_SYNC_IN}}$ | 1 |
| Input hold time for POR configuration signals with respect to negation of $\overline{\text{HRESET}}$ | 0 | — | ns | — |
| Time for the device to turn off POR configuration signals with respect to the assertion of $\overline{\text{HRESET}}$ | — | 4 | ns | 3 |
| Time for the device to turn on POR config signals with respect to the negation of $\overline{\text{HRESET}}$ | 1 | — | $t_{\text{PCI_SYNC_IN}}$ | 1, 3 |

Table 9. RESET Initialization Timing Specifications (continued)
Note:

1. $t_{\text{PCI_SYNC_IN}}$ is the clock period of the input clock applied to PCI_SYNC_IN. When the device is in PCI host mode the primary clock is applied to the SYS_CLK_IN input, and PCI_SYNC_IN period depends on the value of CFG_SYS_CLKIN_DIV.
2. $t_{\text{SYS_CLK_IN}}$ is the clock period of the input clock applied to SYS_CLK_IN. It is only valid when the device is in PCI host mode.
3. POR configuration signals consists of CFG_RESET_SOURCE[0:3] and CFG_SYS_CLKIN_DIV.
4. The parameter names CFG_SYS_CLKIN_DIV and CFG_CLKIN_DIV are used interchangeably in this document.

This table provides the PLL lock times.

Table 10. PLL Lock Times

| Parameter/Condition | Min | Max | Unit | Note |
|---|-----|-----|------|------|
| System PLL lock times | — | 100 | μs | — |
| e300 core PLL lock times | — | 100 | μs | — |
| SerDes (SGMII/PCI Exp Phy) PLL lock times | — | 100 | μs | — |
| USB phy PLL lock times | — | 100 | μs | — |
| SATA phy PLL lock times | — | 100 | μs | — |

7 DDR and DDR2 SDRAM

This section describes the DC and AC electrical specifications for the DDR SDRAM interface of the MPC8315E. Note that DDR SDRAM is $GVDD(\text{typ}) = 2.5 \text{ V}$ and DDR2 SDRAM is $GVDD(\text{typ}) = 1.8 \text{ V}$.

7.1 DDR and DDR2 SDRAM DC Electrical Characteristics

This table provides the recommended operating conditions for the DDR2 SDRAM component(s) of the MPC8315E when $GVDD(\text{typ}) = 1.8 \text{ V}$.

Table 11. DDR2 SDRAM DC Electrical Characteristics for $GVDD(\text{typ}) = 1.8 \text{ V}$

| Parameter/Condition | Symbol | Min | Max | Unit | Note |
|---|-----------------|--------------------|--------------------|------|------|
| I/O supply voltage | GVDD | 1.7 | 1.9 | V | 1 |
| I/O reference voltage | MVREF | $0.49 \times GVDD$ | $0.51 \times GVDD$ | V | 2 |
| I/O termination voltage | V_{TT} | $MVREF - 0.04$ | $MVREF + 0.04$ | V | 3 |
| Input high voltage | V_{IH} | $MVREF + 0.125$ | $GVDD + 0.3$ | V | — |
| Input low voltage | V_{IL} | -0.3 | $MVREF - 0.125$ | V | — |
| Output leakage current | I_{OZ} | -9.9 | 9.9 | μA | 4 |
| Output high current ($V_{\text{OUT}} = 1.420 \text{ V}$, $GVDD = 1.7\text{V}$) | I_{OH} | -13.4 | — | mA | — |
| Output low current ($V_{\text{OUT}} = 0.280 \text{ V}$) | I_{OL} | 13.4 | — | mA | — |

Table 11. DDR2 SDRAM DC Electrical Characteristics for GVDD(typ) = 1.8 V (continued)

| Parameter/Condition | Symbol | Min | Max | Unit | Note |
|---------------------|--------|-----|-----|------|------|
|---------------------|--------|-----|-----|------|------|

Note:

1. GVDD is expected to be within 50 mV of the DRAM GVDD at all times.
2. MVREF is expected to be equal to $0.5 \times \text{GVDD}$, and to track GVDD DC variations as measured at the receiver. Peak-to-peak noise on MVREF may not exceed $\pm 2\%$ of the DC value.
3. V_{TT} is not applied directly to the device. It is the supply to which far end signal termination is made and is expected to be equal to MVREF. This rail should track variations in the DC level of MVREF.
4. Output leakage is measured with all outputs disabled, $0 \text{ V} \leq V_{OUT} \leq \text{GVDD}$.

This table provides the DDR2 capacitance when GVDD(typ) = 1.8 V.

Table 12. DDR2 SDRAM Capacitance for GVDD(typ) = 1.8 V

| Parameter/Condition | Symbol | Min | Max | Unit | Note |
|---|-----------|-----|-----|------|------|
| Input/output capacitance: DQ, DQS | C_{IO} | 6 | 8 | pF | 1 |
| Delta input/output capacitance: DQ, DQS | C_{DIO} | — | 0.5 | pF | 1 |

Note:

1. This parameter is sampled. GVDD = $1.8 \text{ V} \pm 0.090 \text{ V}$, $f = 1 \text{ MHz}$, $T_A = 25^\circ\text{C}$, $V_{OUT} = \text{GVDD}/2$, V_{OUT} (peak-to-peak) = 0.2 V.

This table provides the recommended operating conditions for the DDR SDRAM component(s) of the MPC8315E when GVDD(typ) = 2.5 V.

Table 13. DDR SDRAM DC Electrical Characteristics for GVDD(typ) = 2.5 V

| Parameter/Condition | Symbol | Min | Max | Unit | Note |
|--|----------|---------------------------|---------------------------|---------------|------|
| I/O supply voltage | GVDD | 2.3 | 2.7 | V | 1 |
| I/O reference voltage | MVREF | $0.49 \times \text{GVDD}$ | $0.51 \times \text{GVDD}$ | V | 2 |
| I/O termination voltage | V_{TT} | $\text{MVREF} - 0.04$ | $\text{MVREF} + 0.04$ | V | 3 |
| Input high voltage | V_{IH} | $\text{MVREF} + 0.15$ | $\text{GVDD} + 0.3$ | V | — |
| Input low voltage | V_{IL} | -0.3 | $\text{MVREF} - 0.15$ | V | — |
| Output leakage current | I_{OZ} | -9.9 | -9.9 | μA | 4 |
| Output high current ($V_{OUT} = 1.95 \text{ V}$, GVDD = 2.3V) | I_{OH} | -16.2 | — | mA | — |
| Output low current ($V_{OUT} = 0.35 \text{ V}$) | I_{OL} | 16.2 | — | mA | — |

Note:

1. GVDD is expected to be within 50 mV of the DRAM GVDD at all times.
2. MVREF is expected to be equal to $0.5 \times \text{GVDD}$, and to track GVDD DC variations as measured at the receiver. Peak-to-peak noise on MVREF may not exceed $\pm 2\%$ of the DC value.
3. V_{TT} is not applied directly to the device. It is the supply to which far end signal termination is made and is expected to be equal to MVREF. This rail should track variations in the DC level of MVREF.
4. Output leakage is measured with all outputs disabled, $0 \text{ V} \leq V_{OUT} \leq \text{GVDD}$.

This table provides the DDR capacitance when GVDD(typ) = 2.5 V.

Table 14. DDR SDRAM Capacitance for GVDD(typ) = 2.5 V Interface

| Parameter/Condition | Symbol | Min | Max | Unit | Note |
|----------------------------------|----------|-----|-----|------|------|
| Input/output capacitance: DQ,DQS | C_{IO} | 6 | 8 | pF | 1 |

Table 14. DDR SDRAM Capacitance for GVDD(typ) = 2.5 V Interface

| | | | | | |
|---|-----------|---|-----|----|---|
| Delta input/output capacitance: DQ, DQS | C_{DIO} | — | 0.5 | pF | 1 |
|---|-----------|---|-----|----|---|

Note:

1. This parameter is sampled. GVDD = 2.5 V ± 0.125 V, f = 1 MHz, T_A = 25°C, V_{OUT} = GVDD/2, V_{OUT} (peak-to-peak) = 0.2 V.

This table provides the current draw characteristics for MV_{REF}.

Table 15. Current Draw Characteristics for MV_{REF}

| Parameter / Condition | Symbol | Min | Max | Unit | Note |
|------------------------------------|--------------------|-----|-----|------|------|
| Current draw for MV _{REF} | I _{MVREF} | — | 500 | μA | 1 |

Note:

1. The voltage regulator for MV_{REF} must be able to supply up to 500 μA current.

7.2 DDR and DDR2 SDRAM AC Electrical Characteristics

This section provides the AC electrical characteristics for the DDR and DDR2 SDRAM interface.

7.2.1 DDR and DDR2 SDRAM Input AC Timing Specifications

This table lists the input AC timing specifications for the DDR2 SDRAM (GVDD(typ) = 1.8 V).

Table 16. DDR2 SDRAM Input AC Timing Specifications for 1.8-V Interface

At recommended operating conditions with GVDD of 1.8V ± 100 mV

| Parameter | Symbol | Min | Max | Unit | Note |
|-----------------------|-----------------|--------------|--------------|------|------|
| AC input low voltage | V _{IL} | — | MVREF – 0.45 | V | — |
| AC input high voltage | V _{IH} | MVREF + 0.45 | — | V | — |

This table lists the input AC timing specifications for the DDR SDRAM when GVDD(typ)=2.5 V.

Table 17. DDR SDRAM Input AC Timing Specifications for 2.5 V Interface

At recommended operating conditions with GVDD of 2.5V ± 200 mV

| Parameter | Symbol | Min | Max | Unit | Note |
|-----------------------|-----------------|--------------|--------------|------|------|
| AC input low voltage | V _{IL} | — | MVREF – 0.51 | V | |
| AC input high voltage | V _{IH} | MVREF + 0.51 | — | V | |

The following two tables list the input AC timing specifications for the DDR SDRAM interface.

Table 18. DDR2 SDRAM Input AC Timing Specifications

At recommended operating conditions with GVDD of (1.8 V± 100 mV)

| Parameter | Symbol | Min | Max | Unit | Note |
|------------------------------|---------------------|---------------|-------------|------|---------|
| Controller Skew for MDQS—MDQ | t _{CISKEW} | –875 –1250 | 875 1250 | ps | 1, 2, 3 |

Table 18. DDR2 SDRAM Input AC Timing Specifications

At recommended operating conditions with GVDD of (1.8 V ± 100 mV)

| Parameter | Symbol | Min | Max | Unit | Note |
|-----------|--------|-----|-----|------|------|
|-----------|--------|-----|-----|------|------|

Note:

1. t_{CISKEW} represents the total amount of skew consumed by the controller between MDQS[n] and any corresponding bit to be captured with MDQS[n]. This should be subtracted from the total timing budget.
2. The amount of skew that can be tolerated from MDQS to a corresponding MDQ signal is called t_{DISKEW} . This can be determined by the following equation: $t_{DISKEW} = +/- (T/4 - abs(t_{CISKEW}))$ where T is the clock period and $abs(t_{CISKEW})$ is the absolute value of t_{CISKEW} .
3. Memory controller ODT value of 150 Ω is recommended.

Table 19. DDR SDRAM Input AC Timing Specifications

At recommended operating conditions with GVDD of (2.5V ± 200 mV)

| Parameter | Symbol | Min | Max | Unit | Note |
|--|--------------|---------------|-------------|------|------|
| Controller Skew for MDQS—MDQ 266 MHz 200 MHz | t_{CISKEW} | -750 -1250 | 750 1250 | ps | 1, 2 |

Note:

1. t_{CISKEW} represents the total amount of skew consumed by the controller between MDQS[n] and any corresponding bit to be captured with MDQS[n]. This should be subtracted from the total timing budget.
2. The amount of skew that can be tolerated from MDQS to a corresponding MDQ signal is called t_{DISKEW} . This can be determined by the following equation: $t_{DISKEW} = +/- (T/4 - abs(t_{CISKEW}))$ where T is the clock period and $abs(t_{CISKEW})$ is the absolute value of t_{CISKEW} .

This figure shows the DDR SDRAM input AC timing for the tolerated MDQS to MDQ skew (t_{DISKEW})

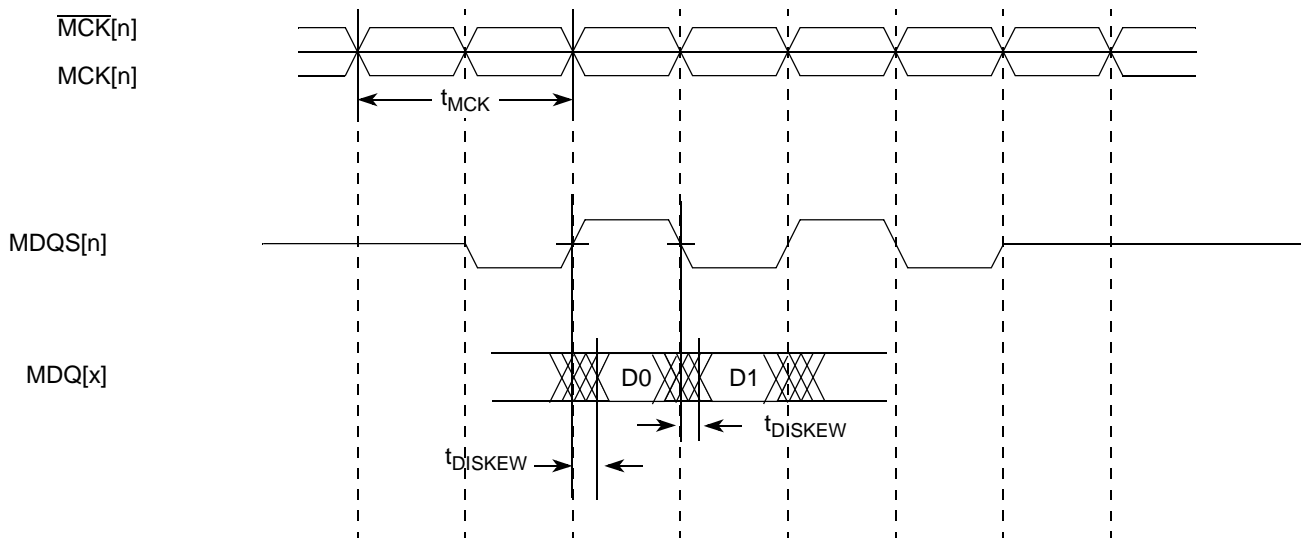


Figure 6. Timing Diagram for t_{DISKEW}

7.2.2 DDR and DDR2 SDRAM Output AC Timing Specifications

Table 20. DDR and DDR2 SDRAM Output AC Timing Specifications

At recommended operating conditions

| Parameter | Symbol ¹ | Min | Max | Unit | Note |
|---|---|------------------------------------|------------------------------------|------|------|
| MCK[n] cycle time at MCK[n]/ $\overline{\text{MCK}}[n]$ crossing | t_{MCK} | 7.5 | 10 | ns | 2 |
| ADDR/CMD output setup with respect to MCK 266 MHz 200 MHz | t_{DDKHAS} | 2.9 3.5 | — — | ns | 3 |
| ADDR/CMD output hold with respect to MCK 266 MHz 200 MHz | t_{DDKHAX} | 3.15 4.20 | — — | ns | 3 |
| $\overline{\text{MCS}}[n]$ output setup with respect to MCK 266 MHz 200 MHz | t_{DDKHCS} | 3.15 4.20 | — — | ns | 3 |
| $\overline{\text{MCS}}[n]$ output hold with respect to MCK 266 MHz 200 MHz | t_{DDKHCX} | 3.15 4.20 | — — | ns | 3 |
| MCK to MDQS Skew | t_{DDKHMH} | -0.6 | 0.6 | ns | 4 |
| MDQ//MDM output setup with respect to MDQS 266 MHz 200 MHz | $t_{\text{DDKHDS}},$ t_{DDKLDS} | 900 1000 | — — | ps | 5 |
| MDQ//MDM output hold with respect to MDQS 266 MHz 200 MHz | $t_{\text{DDKHDX}},$ t_{DDKLDX} | 1100 1200 | — — | ps | 5 |
| MDQS preamble start | t_{DDKHMP} | $-0.5 \times t_{\text{MCK}} - 0.6$ | $-0.5 \times t_{\text{MCK}} + 0.6$ | ns | 6 |
| MDQS epilogue end | t_{DDKHME} | -0.6 | 0.6 | ns | 6 |

Note:

- The symbols used for timing specifications follow the pattern of $t_{\text{(first two letters of functional block)(signal)(state) (reference)(state)}}$ for inputs and $t_{\text{(first two letters of functional block)(reference)(state)(signal)(state)}}$ for outputs. Output hold time can be read as DDR timing (DD) from the rising or falling edge of the reference clock (KH or KL) until the output went invalid (AX or DX). For example, t_{DDKHAS} symbolizes DDR timing (DD) for the time t_{MCK} memory clock reference (K) goes from the high (H) state until outputs (A) are setup (S) or output valid time. Also, t_{DDKLDS} symbolizes DDR timing (DD) for the time t_{MCK} memory clock reference (K) goes low (L) until data outputs (D) are invalid (X) or data output hold time.
- All MCK/ $\overline{\text{MCK}}$ referenced measurements are made from the crossing of the two signals ± 0.1 V.
- ADDR/CMD includes all DDR SDRAM output signals except MCK/ $\overline{\text{MCK}}$, $\overline{\text{MCS}}$, and MDQ//MDM/MDQS.
- Note that t_{DDKHMH} follows the symbol conventions described in note 1. For example, t_{DDKHMH} describes the DDR timing (DD) from the rising edge of the MCK[n] clock (KH) until the MDQS signal is valid (MH). t_{DDKHMH} can be modified through control of the DQSS override bits in the TIMING_CFG_2 register. This is typically set to the same delay as the clock adjust in the CLK_CNTL register. The timing parameters listed in the table assume that these 2 parameters have been set to the same adjustment value. See the *MPC8315E PowerQUICC II Pro Integrated Host Processor Family Reference Manual* for a description and understanding of the timing modifications enabled by use of these bits.
- Determined by maximum possible skew between a data strobe (MDQS) and any corresponding bit of data (MDQ), ECC (), or data mask (MDM). The data strobe should be centered inside of the data eye at the pins of the microprocessor.
- All outputs are referenced to the rising edge of MCK[n] at the pins of the microprocessor. Note that t_{DDKHMP} follows the symbol conventions described in note 1.

This figure shows the DDR SDRAM output timing for the MCK to MDQS skew measurement (t_{DDKHMH}).

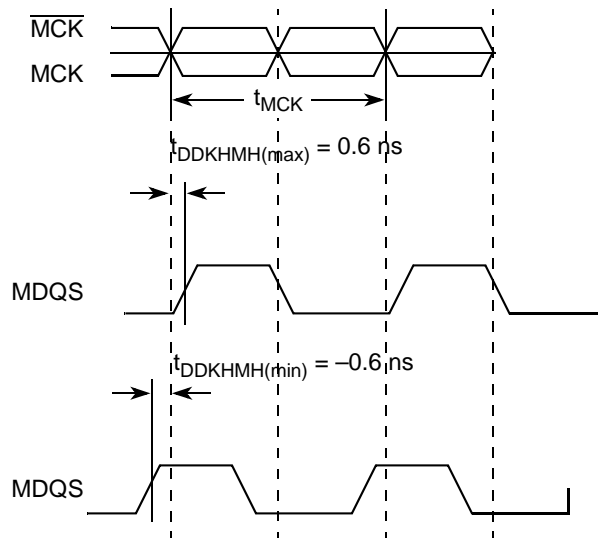


Figure 7. Timing Diagram for t_{DDKHMH}

This figure shows the DDR and DDR2 SDRAM output timing diagram.

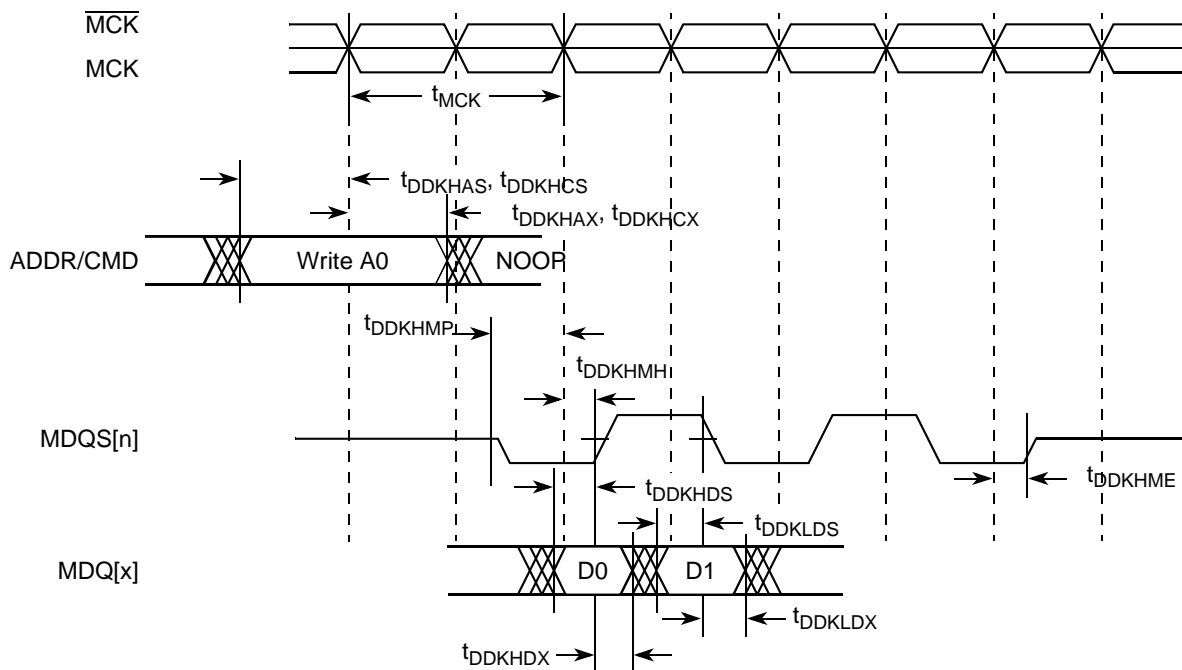


Figure 8. DDR and DDR2 SDRAM Output Timing Diagram

This figure provides the AC test load for the DDR bus.

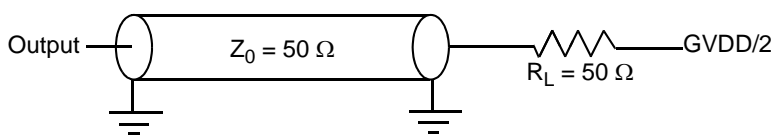


Figure 9. DDR AC Test Load

8 DUART

This section describes the DC and AC electrical specifications for the DUART interface.

8.1 DUART DC Electrical Characteristics

This table lists the DC electrical characteristics for the DUART interface.

Table 21. DUART DC Electrical Characteristics

| Parameter | Symbol | Min | Max | Unit |
|--|----------|--------------|--------------|---------|
| High-level input voltage | V_{IH} | 2.1 | $NVDD + 0.3$ | V |
| Low-level input voltage NVDD | V_{IL} | -0.3 | 0.8 | V |
| High-level output voltage, $I_{OH} = -100 \mu A$ | V_{OH} | $NVDD - 0.2$ | — | V |
| Low-level output voltage, $I_{OL} = 100 \mu A$ | V_{OL} | — | 0.2 | V |
| Input current ($0 V \leq V_{IN} \leq NVDD$) | I_{IN} | — | ± 5 | μA |

8.2 DUART AC Electrical Specifications

This table lists the AC timing parameters for the DUART interface.

Table 22. DUART AC Timing Specifications

| Parameter | Value | Unit | Note |
|-------------------|-------------|------|------|
| Minimum baud rate | 256 | baud | — |
| Maximum baud rate | > 1,000,000 | baud | 1 |
| Oversample rate | 16 | — | 2 |

Note:

1. Actual attainable baud rate is limited by the latency of interrupt processing.
2. The middle of a start bit is detected as the eighth sampled 0 after the 1-to-0 transition of the start bit. Subsequent bit values are sampled each sixteenth sample.

9 Ethernet: Three-Speed Ethernet, MII Management

This section provides the AC and DC electrical characteristics for three-speed, 10/100/1000, and MII management.

9.1 eTSEC (10/100/1000 Mbps)—MII/RMII/RGMII/RTBI Electrical Characteristics

The electrical characteristics specified here apply to all the media-independent interface (MII), reduced gigabit MII (RGMII), and reduced ten-bit interface (RTBI) signals except management data input/output (MDIO) and management data clock (MDC). The MII and RMII is defined for 3.3 V, while the RGMII, and RTBI can operate at 2.5 V. The RGMII and RTBI follow the Hewlett-Packard reduced pin-count interface for Gigabit Ethernet Physical Layer Device Specification Version 1.2a (9/22/2000). The electrical characteristics for MDIO and MDC are specified in [Section 9.3, “Ethernet Management Interface Electrical Characteristics.”](#)

9.1.1 MII, RMII, RGMII, and RTBI DC Electrical Characteristics

All MII, RMII drivers and receivers comply with the DC parametric attributes specified in [Table 23](#) for 3.3-V operation and RGMII, RTBI drivers and receivers comply with the DC parametric attributes specified in [Table 24](#). The RGMII and RTBI signals are based on a 2.5 V CMOS interface voltage as defined by JEDEC EIA/JESD8–5.

NOTE

eTSEC should be interfaced with peripheral operating at same voltage level.

Table 23. MII/RMII (When Operating at 3.3 V) DC Electrical Characteristics

| Parameter | Symbol | Conditions | | Min | Max | Unit |
|----------------------|----------|--------------------|------------|----------|------------|---------|
| Supply voltage 3.3 V | LVDD | — | — | 3.0 | 3.6 | V |
| Output high voltage | V_{OH} | $I_{OH} = -4.0$ mA | LVDD = Min | 2.40 | LVDD + 0.3 | V |
| Output low voltage | V_{OL} | $I_{OL} = 4.0$ mA | LVDD = Min | V_{SS} | 0.50 | V |
| Input high voltage | V_{IH} | — | — | 2.1 | LVDD + 0.3 | V |
| Input low voltage | V_{IL} | — | — | -0.3 | 0.90 | V |
| Input high current | I_{IH} | $V_{IN}^1 = LVDD$ | | — | 40 | μ A |
| Input low current | I_{IL} | $V_{IN}^1 = VSS$ | | -600 | — | μ A |

Note:

- The symbol V_{IN} , in this case, represents the LV_{IN} symbol referenced in [Table 1](#) and [Table 2](#).

Table 24. RGMII/RTBI (When Operating at 2.5 V) DC Electrical Characteristics

| Parameters | Symbol | Conditions | | Min | Max | Unit |
|----------------------|----------|--------------------|------------|----------------|------------|---------|
| Supply voltage 2.5 V | LVDD | — | — | 2.37 | 2.63 | V |
| Output high voltage | V_{OH} | $I_{OH} = -1.0$ mA | LVDD = Min | 2.00 | LVDD + 0.3 | V |
| Output low voltage | V_{OL} | $I_{OL} = 1.0$ mA | LVDD = Min | $V_{SS} - 0.3$ | 0.40 | V |
| Input high voltage | V_{IH} | — | LVDD = Min | 1.7 | LVDD + 0.3 | V |
| Input low voltage | V_{IL} | — | LVDD = Min | -0.3 | 0.70 | V |
| Input high current | I_{IH} | $V_{IN}^1 = LVDD$ | | — | 15 | μ A |
| Input low current | I_{IL} | $V_{IN}^1 = VSS$ | | -15 | — | μ A |

Table 24. RGMII/RTBI (When Operating at 2.5 V) DC Electrical Characteristics (continued)

| Parameters | Symbol | Conditions | Min | Max | Unit |
|------------|--------|------------|-----|-----|------|
|------------|--------|------------|-----|-----|------|

Note:

- The symbol V_{IN} , in this case, represents the LV_{IN} symbol referenced in Table 1 and Table 2.

9.2 MII, RMII, RGMII, and RTBI AC Timing Specifications

The AC timing specifications for MII, RMII, RGMII, and RTBI are presented in this section.

9.2.1 MII AC Timing Specifications

This section describes the MII transmit and receive AC timing specifications.

9.2.1.1 MII Transmit AC Timing Specifications

This table provides the MII transmit AC timing specifications.

Table 25. MII Transmit AC Timing Specifications

At recommended operating conditions with LVDD of 3.3 V ± 300 mv.

| Parameter/Condition | Symbol ¹ | Min | Typ | Max | Unit |
|---|---------------------|-----|-----|-----|------|
| TX_CLK clock period 10 Mbps | t_{MTX} | — | 400 | — | ns |
| TX_CLK clock period 100 Mbps | t_{MTX} | — | 40 | — | ns |
| TX_CLK duty cycle | t_{MTXH}/t_{MTX} | 35 | — | 65 | % |
| TX_CLK to MII data TXD[3:0], TX_ER, TX_EN delay | t_{MTKHDX} | 1 | 5 | 15 | ns |
| TX_CLK data clock rise $V_{IL}(\text{min})$ to $V_{IH}(\text{max})$ | t_{MTXR} | 1.0 | — | 4.0 | ns |
| TX_CLK data clock fall $V_{IH}(\text{max})$ to $V_{IL}(\text{min})$ | t_{MTXF} | 1.0 | — | 4.0 | ns |

Note:

- The symbols used for timing specifications follow the pattern of $t_{(\text{first two letters of functional block})(\text{signal})(\text{state})(\text{reference})(\text{state})}$ for inputs and $t_{(\text{first two letters of functional block})(\text{reference})(\text{state})(\text{signal})(\text{state})}$ for outputs. For example, t_{MTKHDX} symbolizes MII transmit timing (MT) for the time t_{MTX} clock reference (K) going high (H) until data outputs (D) are invalid (X). Note that, in general, the clock reference symbol representation is based on two to three letters representing the clock of a particular functional. For example, the subscript of t_{MTX} represents the MII(M) transmit (TX) clock. For rise and fall times, the latter convention is used with the appropriate letter: R (rise) or F (fall).

This figure shows the MII transmit AC timing diagram.

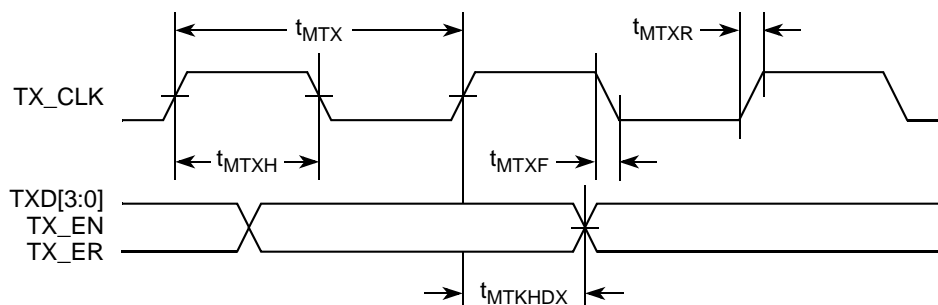


Figure 10. MII Transmit AC Timing Diagram

9.2.1.2 MII Receive AC Timing Specifications

This table provides the MII receive AC timing specifications.

Table 26. MII Receive AC Timing Specifications

At recommended operating conditions with LVDD of 3.3 V \pm 300 mv

| Parameter/Condition | Symbol ¹ | Min | Typ | Max | Unit |
|---|---------------------|------|-----|-----|------|
| RX_CLK clock period 10 Mbps | t_{MRX} | — | 400 | — | ns |
| RX_CLK clock period 100 Mbps | t_{MRX} | — | 40 | — | ns |
| RX_CLK duty cycle | t_{MRXH}/t_{MRX} | 35 | — | 65 | % |
| RXD[3:0], RX_DV, RX_ER setup time to RX_CLK | t_{MRDVKH} | 10.0 | — | — | ns |
| RXD[3:0], RX_DV, RX_ER hold time to RX_CLK | t_{MRDXKH} | 10.0 | — | — | ns |
| RX_CLK clock rise $V_{IL}(\text{min})$ to $V_{IH}(\text{max})$ | t_{MRXR} | 1.0 | — | 4.0 | ns |
| RX_CLK clock fall time $V_{IH}(\text{max})$ to $V_{IL}(\text{min})$ | t_{MRXF} | 1.0 | — | 4.0 | ns |

Note:

- The symbols used for timing specifications herein follow the pattern of $t_{(\text{first two letters of functional block})(\text{signal})(\text{state})(\text{reference})(\text{state})}$ for inputs and $t_{(\text{first two letters of functional block})(\text{reference})(\text{state})(\text{signal})(\text{state})}$ for outputs. For example, t_{MRDVKH} symbolizes MII receive timing (MR) with respect to the time data input signals (D) reach the valid state (V) relative to the t_{MRX} clock reference (K) going to the high (H) state or setup time. Also, t_{MRDXKL} symbolizes MII receive timing (GR) with respect to the time data input signals (D) went invalid (X) relative to the t_{MRX} clock reference (K) going to the low (L) state or hold time. Note that, in general, the clock reference symbol representation is based on three letters representing the clock of a particular functional. For example, the subscript of t_{MRX} represents the MII (M) receive (RX) clock. For rise and fall times, the latter convention is used with the appropriate letter: R (rise) or F (fall).
- The frequency of RX_CLK should not exceed the TX_CLK by more than 300 ppm

This figure provides the AC test load for eTSEC.

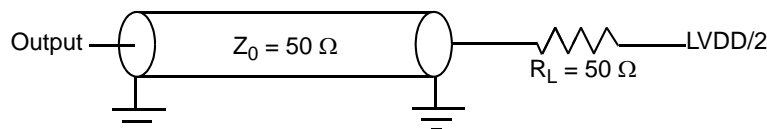


Figure 11. eTSEC AC Test Load

This figure shows the MII receive AC timing diagram.

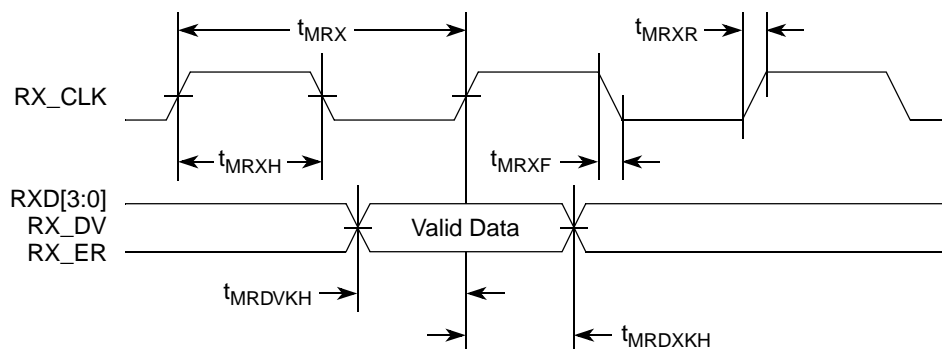


Figure 12. MII Receive AC Timing Diagram RMII AC Timing Specifications

9.2.2 RMII AC Timing Specifications

This section describes the RMII transmit and receive AC timing specifications.

9.2.2.1 RMII Transmit AC Timing Specifications

This section describes the RMII transmit and receive AC timing specifications. This table provides the RMII transmit AC timing specifications.

Table 27. RMII Transmit AC Timing Specifications

At recommended operating conditions with LVDD of 3.3 V ± 300 mv

| Parameter/Condition | Symbol ¹ | Min | Typ | Max | Unit |
|--|---------------------|-----|-----|-----|------|
| REF_CLK clock | t_{RMX} | — | 20 | — | ns |
| REF_CLK duty cycle | t_{RMXH}/t_{RMX} | 35 | — | 65 | % |
| REF_CLK to RMII data TXD[1:0], TX_EN delay | $t_{RMTKHDX}$ | 2 | — | 10 | ns |
| REF_CLK data clock rise $V_{IL}(\text{min})$ to $V_{IH}(\text{max})$ | t_{RMXR} | 1.0 | — | 4.0 | ns |
| REF_CLK data clock fall $V_{IH}(\text{max})$ to $V_{IL}(\text{min})$ | t_{RMXF} | 1.0 | — | 4.0 | ns |

Note:

- The symbols used for timing specifications herein follow the pattern of $t_{(\text{first three letters of functional block})(\text{signal})(\text{state})(\text{reference})(\text{state})}$ for inputs and $t_{(\text{first two letters of functional block})(\text{reference})(\text{state})(\text{signal})(\text{state})}$ for outputs. For example, $t_{RMTKHDX}$ symbolizes RMII transmit timing (RMT) for the time t_{RMX} clock reference (K) going high (H) until data outputs (D) are invalid (X). Note that, in general, the clock reference symbol representation is based on two to three letters representing the clock of a particular functional. For example, the subscript of t_{RMX} represents the RMII(RM) reference (X) clock. For rise and fall times, the latter convention is used with the appropriate letter: R (rise) or F (fall).

This figure shows the RMII transmit AC timing diagram.

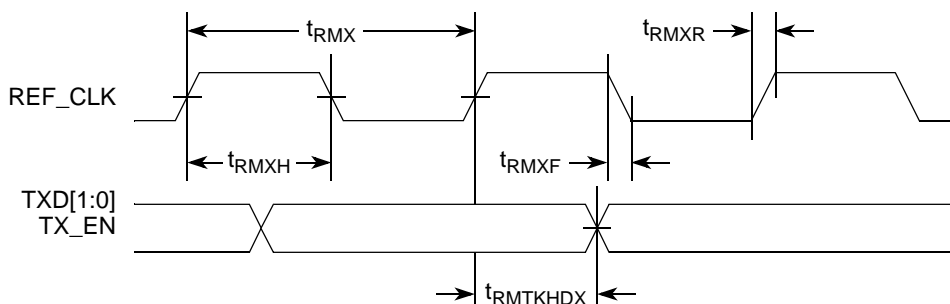


Figure 13. RMII Transmit AC Timing Diagram

9.2.2.2 RMII Receive AC Timing Specifications

This table provides the RMII receive AC timing specifications.

Table 28. RMII Receive AC Timing Specifications

At recommended operating conditions with LVDD of 3.3 V ± 300 mv

| Parameter/Condition | Symbol ¹ | Min | Typ | Max | Unit |
|----------------------|---------------------|-----|-----|-----|------|
| REF_CLK clock period | t_{RMX} | — | 20 | — | ns |
| REF_CLK duty cycle | t_{RMXH}/t_{RMX} | 35 | — | 65 | % |

Table 28. RMI Receive AC Timing Specifications (continued)

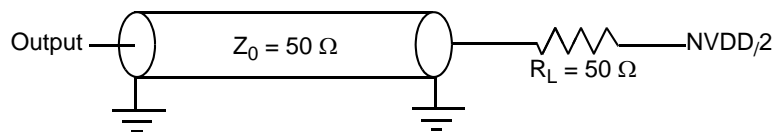
At recommended operating conditions with LVDD of 3.3 V ± 300 mv

| Parameter/Condition | Symbol ¹ | Min | Typ | Max | Unit |
|--|----------------------|-----|-----|-----|------|
| RXD[1:0], CRS_DV, RX_ER setup time to REF_CLK | t_{RMRDVKH} | 4.0 | — | — | ns |
| RXD[1:0], CRS_DV, RX_ER hold time to REF_CLK | t_{RMRDXKH} | 2.0 | — | — | ns |
| REF_CLK clock rise $V_{\text{IL}}(\text{min})$ to $V_{\text{IH}}(\text{max})$ | t_{RMXR} | 1.0 | — | 4.0 | ns |
| REF_CLK clock fall time $V_{\text{IH}}(\text{max})$ to $V_{\text{IL}}(\text{min})$ | t_{RMXF} | 1.0 | — | 4.0 | ns |

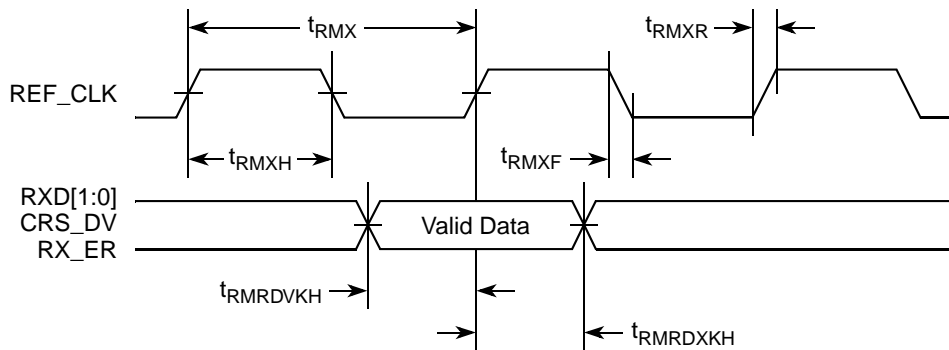
Note:

- The symbols used for timing specifications herein follow the pattern of $t_{\text{(first three letters of functional block)(signal)(state)(reference)(state)}}$ for inputs and $t_{\text{(first two letters of functional block)(reference)(state)(signal)(state)}}$ for outputs. For example, t_{RMRDVKH} symbolizes RMI receive timing (RMR) with respect to the time data input signals (D) reach the valid state (V) relative to the t_{RMX} clock reference (K) going to the high (H) state or setup time. Also, t_{RMRDXKL} symbolizes RMI receive timing (RMR) with respect to the time data input signals (D) went invalid (X) relative to the t_{RMX} clock reference (K) going to the low (L) state or hold time. Note that, in general, the clock reference symbol representation is based on three letters representing the clock of a particular functional. For example, the subscript of t_{RMX} represents the RMI (RM) reference (X) clock. For rise and fall times, the latter convention is used with the appropriate letter: R (rise) or F (fall).

This figure provides the AC test load.


Figure 14. AC Test Load

This figure shows the RMI receive AC timing diagram.


Figure 15. RMI Receive AC Timing Diagram

9.2.3 RGMII and RTBI AC Timing Specifications

This table presents the RGMII and RTBI AC timing specifications.

Table 29. RGMII and RTBI AC Timing Specifications

At recommended operating conditions (see Table 2)

| Parameter/Condition | Symbol ¹ | Min | Typ | Max | Unit |
|---|---------------------|------|-----|-----|------|
| Data to clock output skew (at transmitter) | t_{SKRGT} | -0.6 | — | 0.6 | ns |
| Data to clock input skew (at receiver) ² | t_{SKRGT} | 1.0 | — | 2.6 | ns |

Table 29. RGMII and RTBI AC Timing Specifications (continued)

At recommended operating conditions (see Table 2)

| Parameter/Condition | Symbol ¹ | Min | Typ | Max | Unit |
|--|----------------------|-----|-----|------|------|
| Clock cycle duration ³ | t_{RGT} | 7.2 | 8.0 | 8.8 | ns |
| Duty cycle for 1000Base-T ^{4, 5} | t_{RGTH}/t_{RGT} | 45 | 50 | 55 | % |
| Duty cycle for 10BASE-T and 100BASE-TX ^{3, 5} | t_{RGTH}/t_{RGT} | 40 | 50 | 60 | % |
| Rise time (20%–80%) | t_{RGTR} | — | — | 0.75 | ns |
| Fall time (20%–80%) | t_{RGTF} | — | — | 0.75 | ns |
| GTX_CLK125 reference clock period | t_{G12}^6 | — | 8.0 | — | ns |
| GTX_CLK125 reference clock duty cycle | t_{G125H}/t_{G125} | 47 | — | 53 | % |

Note:

- Note that, in general, the clock reference symbol representation for this section is based on the symbols RGT to represent RGMII and RTBI timing. For example, the subscript of t_{RGT} represents the RTBI (T) receive (RX) clock. Note also that the notation for rise (R) and fall (F) times follows the clock symbol that is being represented. For symbols representing skews, the subscript is skew (SK) followed by the clock that is being skewed (RGT).
- This implies that PC board design requires clocks to be routed so that an additional trace delay of greater than 1.5 ns is added to the associated clock signal.
- For 10 and 100 Mbps, t_{RGT} scales to 400 ns \pm 40 ns and 40 ns \pm 4 ns, respectively.
- Duty cycle may be stretched/shrunk during speed changes or while transitioning to a received packet's clock domains as long as the minimum duty cycle is not violated and stretching occurs for no more than three t_{RGT} of the lowest speed transitioned between.
- Duty cycle reference is LVDD/2.
- This symbol is used to represent the external GTX_CLK125 and does not follow the original symbol naming convention. GTX_CLK supply voltage is fixed at 3.3V inside the chip. If PHY supplies a 2.5 V Clock signal on this input, set TSCOMOB1 bit of System I/O configuration register (SICRH) as 1. See the *MPC8315E PowerQUICC II Pro Integrated Host Processor Family Reference Manual*.
- The frequency of RX_CLK should not exceed the TX_CLK by more than 300 ppm

This figure shows the RGMII and RTBI AC timing and multiplexing diagrams.

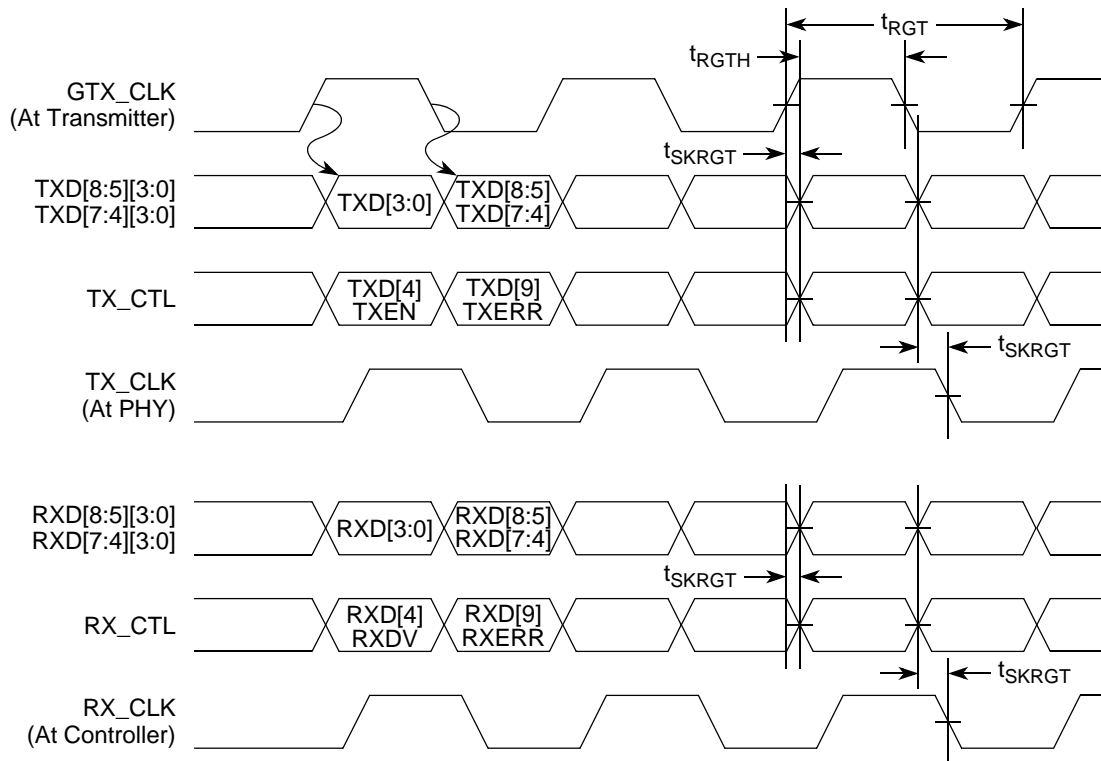


Figure 16. RGMII and RTBI AC Timing and Multiplexing Diagrams

9.3 Ethernet Management Interface Electrical Characteristics

The electrical characteristics specified here apply to MII management interface signals management data input/output (MDIO) and management data clock (MDC). The electrical characteristics for MII, RMII, RGMII, and RTBI are specified in [Section 9.1, “eTSEC \(10/100/1000 Mbps\)—MII/RMII/RGMII/RTBI Electrical Characteristics.”](#)

9.3.1 MII Management DC Electrical Characteristics

The MDC and MDIO are defined to operate at a supply voltage of 3.3 V. The DC electrical characteristics for MDIO and MDC are provided in this table.

Table 30. MII Management DC Electrical Characteristics Powered at 3.3 V

| Parameter | Symbol | Conditions | | Min | Max | Unit |
|------------------------|----------|----------------------------|----------------------------|----------|------------|---------------|
| Supply voltage (3.3 V) | NVDD | — | — | 3.0 | 3.6 | V |
| Output high voltage | V_{OH} | $I_{OH} = -1.0 \text{ mA}$ | NVDD = Min | 2.10 | NVDD + 0.3 | V |
| Output low voltage | V_{OL} | $I_{OL} = 1.0 \text{ mA}$ | NVDD = Min | V_{SS} | 0.50 | V |
| Input high voltage | V_{IH} | — | — | 2.00 | — | V |
| Input low voltage | V_{IL} | — | — | — | 0.80 | V |
| Input high current | I_{IH} | NVDD = Max | $V_{IN}^1 = 2.1 \text{ V}$ | — | 40 | μA |

Table 30. MII Management DC Electrical Characteristics Powered at 3.3 V (continued)

| Parameter | Symbol | Conditions | | Min | Max | Unit |
|-------------------|----------|------------|-------------------------|------|-----|---------------|
| Input low current | I_{IL} | NVDD = Max | $V_{IN} = 0.5\text{ V}$ | -600 | — | μA |

Note:

- The symbol V_{IN} , in this case, represents the NV_{IN} symbol referenced in [Table 1](#) and [Table 2](#).

9.3.2 MII Management AC Electrical Specifications

This table provides the MII management AC timing specifications.

Table 31. MII Management AC Timing Specifications

At recommended operating conditions with NVDD is 3.3 V \pm 300 mv

| Parameter/Condition | Symbol ¹ | Min | Typ | Max | Unit | Note |
|----------------------------|---------------------|-----|-----|-----|------|------|
| MDC frequency | f_{MDC} | — | 2.5 | — | MHz | 2 |
| MDC period | t_{MDC} | — | 400 | — | ns | — |
| MDC clock pulse width high | t_{MDCH} | 32 | — | — | ns | — |
| MDC to MDIO delay | t_{MDKHDX} | 10 | — | 170 | ns | 3 |
| MDIO to MDC setup time | t_{MDDVKH} | 5 | — | — | ns | — |
| MDIO to MDC hold time | t_{MDDXKH} | 0 | — | — | ns | — |
| MDC rise time | t_{MDCR} | — | — | 10 | ns | — |
| MDC fall time | t_{MDHF} | — | — | 10 | ns | — |

Note:

- The symbols used for timing specifications herein follow the pattern of $t_{(\text{first two letters of functional block})(\text{signal})(\text{state})(\text{reference})(\text{state})}$ for inputs and $t_{(\text{first two letters of functional block})(\text{reference})(\text{state})(\text{signal})(\text{state})}$ for outputs. For example, t_{MDKHDX} symbolizes management data timing (MD) for the time t_{MDC} from clock reference (K) high (H) until data outputs (D) are invalid (X) or data hold time. Also, t_{MDDVKH} symbolizes management data timing (MD) with respect to the time data input signals (D) reach the valid state (V) relative to the t_{MDC} clock reference (K) going to the high (H) state or setup time. For rise and fall times, the latter convention is used with the appropriate letter: R (rise) or F (fall).
- This parameter is dependent on the `csb_clk` speed (that is, for a `csb_clk` of 133 MHz, the maximum frequency is 4.16 MHz and the minimum frequency is 0.593 MHz).
- This parameter is dependent on the `csb_clk` speed (that is, for a `csb_clk` of 133 MHz, the delay is 60 ns).

This figure shows the MII management AC timing diagram.

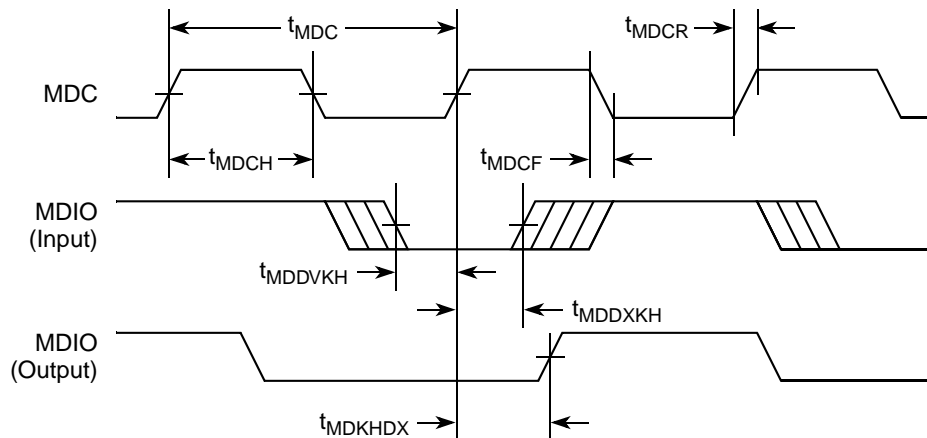


Figure 17. MII Management Interface Timing Diagram

9.4 1588 Timer Specifications

This section describes the DC and AC electrical specifications for the 1588 timer.

9.4.1 1588 Timer DC Specifications

This table provides the 1588 timer DC specifications.

Table 32. GPIO DC Electrical Characteristics

| Characteristic | Symbol | Condition | Min | Max | Unit |
|---------------------|----------|-------------------------------------|------|--------------|---------------|
| Output high voltage | V_{OH} | $I_{OH} = -8.0 \text{ mA}$ | 2.4 | — | V |
| Output low voltage | V_{OL} | $I_{OL} = 8.0 \text{ mA}$ | — | 0.5 | V |
| Output low voltage | V_{OL} | $I_{OL} = 3.2 \text{ mA}$ | — | 0.4 | V |
| Input high voltage | V_{IH} | — | 2.0 | $NVDD + 0.3$ | V |
| Input low voltage | V_{IL} | — | -0.3 | 0.8 | V |
| Input current | I_{IN} | $0 \text{ V} \leq V_{IN} \leq NVDD$ | — | ± 5 | μA |

9.4.2 1588 Timer AC Specifications

This table provides the 1588 timer AC specifications.

Table 33. 1588 Timer AC Specifications

| Parameter | Symbol | Min | Max | Unit | Note |
|------------------------------|--------------|-----|-----|------|------|
| Timer clock cycle time | t_{TMRCK} | 0 | 70 | MHz | 1 |
| Input setup to timer clock | t_{TMRCKS} | — | — | — | 2, 3 |
| Input hold from timer clock | t_{TMRCKH} | — | — | — | 2, 3 |
| Output clock to output valid | t_{GCLKNV} | 0 | 6 | ns | |
| Timer alarm to output valid | t_{TMRAL} | — | — | — | 2 |

Table 33. 1588 Timer AC Specifications (continued)

| Parameter | Symbol | Min | Max | Unit | Note |
|-----------|--------|-----|-----|------|------|
|-----------|--------|-----|-----|------|------|

Note:

1. The timer can operate on rtc_clock or tmr_clock. These clocks get muxed and any one of them can be selected.
2. Asynchronous signals.
3. Inputs need to be stable at least one TMR clock.

9.5 SGMII Interface Electrical Characteristics

Each SGMII port features a 4-wire AC-Coupled serial link from the dedicated SerDes interface of MPC8315E as shown in [Figure 18](#), where C_{TX} is the external (on board) AC-Coupled capacitor. Each output pin of the SerDes transmitter differential pair features 50- Ω output impedance. Each input of the SerDes receiver differential pair features 50- Ω on-die termination to XCOREVSS. The reference circuit of the SerDes transmitter and receiver is shown in [Figure 49](#).

When an eTSEC port is configured to operate in SGMII mode, the parallel interface's output signals of this eTSEC port can be left floating. The input signals should be terminated based on the guidelines described in [Section 26.4, "Connection Recommendations,"](#) as long as such termination does not violate the desired POR configuration requirement on these pins, if applicable.

When operating in SGMII mode, the TSEC_GTX_CLK125 clock is not required for this port. Instead, SerDes reference clock is required on SD_REF_CLK and $\overline{SD_REF_CLK}$ pins.

9.5.1 DC Requirements for SGMII SD_REF_CLK and $\overline{SD_REF_CLK}$

The characteristics and DC requirements of the separate SerDes reference clock are described in [Section 15, "High-Speed Serial Interfaces \(HSSI\)."](#)

9.5.2 AC Requirements for SGMII SD_REF_CLK and $\overline{SD_REF_CLK}$

This table lists the SGMII SerDes reference clock AC requirements. Please note that SD_REF_CLK and $\overline{SD_REF_CLK}$ are not intended to be used with, and should not be clocked by, a spread spectrum clock source.

Table 34. SD_REF_CLK and $\overline{SD_REF_CLK}$ AC Requirements

| Symbol | Parameter Description | Min | Typical | Max | Unit | Note |
|-------------|--|-----|---------|-----|------|------|
| t_{REF} | REFCLK cycle time | — | 8 | — | ns | — |
| t_{REFCJ} | REFCLK cycle-to-cycle jitter. Difference in the period of any two adjacent REFCLK cycles | — | — | 100 | ps | — |
| t_{REFPJ} | Phase jitter. Deviation in edge location with respect to mean edge location | -50 | — | 50 | ps | — |

9.5.3 SGMII Transmitter and Receiver DC Electrical Characteristics

[Table 35](#) and [Table 36](#) describe the SGMII SerDes transmitter and receiver AC-coupled DC electrical characteristics. Transmitter DC characteristics are measured at the transmitter outputs (SD_TX[n] and $\overline{SD_TX[n]}$) as depicted in [Figure 17](#).

Table 35. SGMII DC Transmitter Electrical Characteristics

| Parameter | Symbol | Min | Typ | Max | Unit | Note |
|--|-----------------------------------|---------------------------------------|-----|---------------------------------------|------|-----------------------------|
| Supply Voltage | XCOREVDD | 0.95 | 1.0 | 1.05 | V | — |
| Output high voltage | VOH | — | — | $XCOREVDD_{Typ}/2 + V_{OD} _{max}/2$ | mV | 1 |
| Output low voltage | VOL | $XCOREVDD_{Typ}/2 - V_{OD} _{max}/2$ | — | — | mV | 1 |
| Output ringing | V _{RING} | — | — | 10 | % | — |
| Output differential voltage ^{2, 3, 5} | V _{OD} | 323 | 500 | 725 | mV | Equalization setting: 1.0x |
| | | 296 | 459 | 665 | | Equalization setting: 1.09x |
| | | 269 | 417 | 604 | | Equalization setting: 1.2x |
| | | 243 | 376 | 545 | | Equalization setting: 1.33x |
| | | 215 | 333 | 483 | | Equalization setting: 1.5x |
| | | 189 | 292 | 424 | | Equalization setting: 1.71x |
| | | 162 | 250 | 362 | | Equalization setting: 2.0x |
| Output offset voltage | V _{OS} | 425 | 500 | 575 | mV | 1, 4 |
| Output impedance (single-ended) | R _O | 40 | — | 60 | Ω | — |
| Mismatch in a pair | ΔR _O | — | — | 10 | % | — |
| Change in V _{OD} between “0” and “1” | Δ V _{OD} | — | — | 25 | mV | — |
| Change in V _{OS} between “0” and “1” | ΔV _{OS} | — | — | 25 | mV | — |
| Output current on short to GND | I _{SA} , I _{SB} | — | — | 40 | mA | — |

Note:

- This will not align to DC-coupled SGMII. XCOREVDD_{Typ}=1.0V.
- $|V_{OD}| = |V_{TXn} - V_{\overline{TXn}}|$. |V_{OD}| is also referred as output differential peak voltage. $V_{TX-DIFFp-p} = 2*|V_{OD}|$.
- The |V_{OD}| value shown in the table assumes the following transmit equalization setting in the TXEQA (for SerDes lane A) or TXEQE (for SerDes lane E) bit field of MPC8315E's SerDes Control Register 0:
 - The LSBs (bit [1:3]) of the above bit field is set based on the equalization setting shown in table.
- V_{OS} is also referred to as output common mode voltage.
- The |V_{OD}| value shown in the Typ column is based on the condition of XCOREVDD_{Typ}=1.0V, no common mode offset variation (V_{OS} = 500 mV), SerDes transmitter is terminated with 100-Ω differential load between TX[n] and $\overline{TX}[n]$.

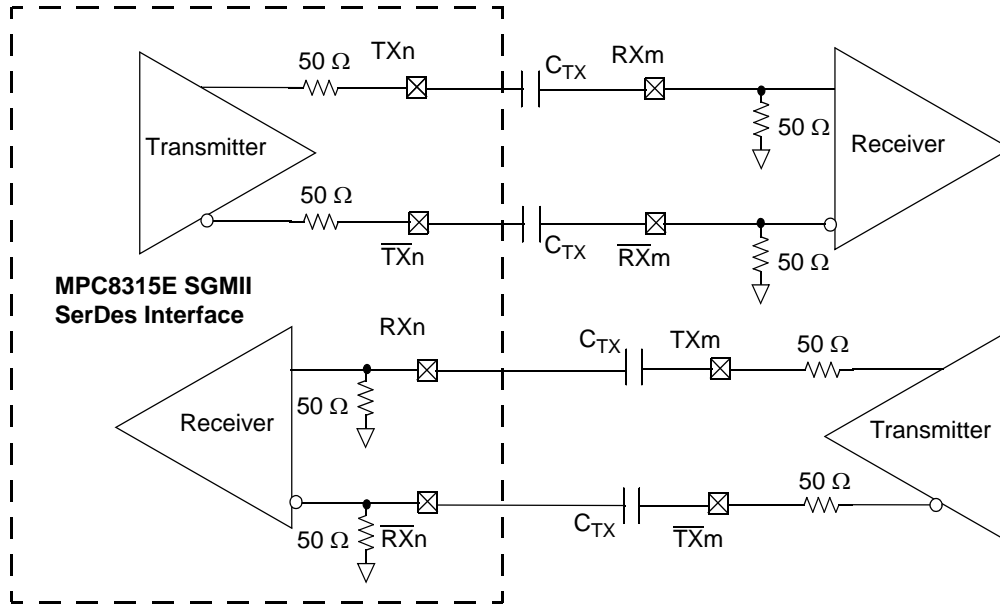


Figure 18. 4-Wire AC-Coupled SGMII Serial Link Connection Example

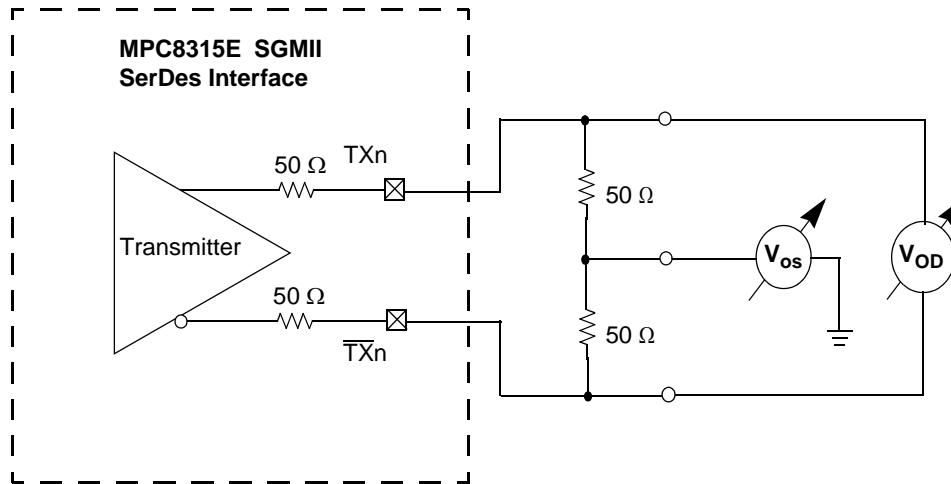


Figure 19. SGMII Transmitter DC Measurement Circuit

Table 36. SGMII DC Receiver Electrical Characteristics

| Parameter | Symbol | Min | Typ | Max | Unit | Note | |
|----------------------------|----------|-------------------|-----|------|------|------|------|
| Supply Voltage | XCOREVDD | 0.95 | 1.0 | 1.05 | V | — | |
| DC Input voltage range | — | N/A | | | — | 1 | |
| Input differential voltage | EQ = 0 | $V_{RX_DIFFp-p}$ | 100 | — | 1200 | mV | 2, 4 |
| | EQ = 1 | | 175 | — | | | |
| Loss of signal threshold | EQ = 0 | VLOS | 30 | — | 100 | mV | 3, 4 |
| | EQ = 1 | | 65 | — | 175 | | |

Table 36. SGMII DC Receiver Electrical Characteristics (continued)

| Parameter | Symbol | Min | Typ | Max | Unit | Note |
|---------------------------------------|-----------------|-----|----------------|-----|----------|------|
| Input AC common mode voltage | V_{CM_ACp-p} | — | — | 100 | mV | 5 |
| Receiver differential input impedance | Z_{RX_DIFF} | 80 | 100 | 120 | Ω | — |
| Receiver common mode input impedance | Z_{RX_CM} | 20 | — | 35 | Ω | — |
| Common mode input voltage | V_{CM} | — | $V_{xcorevss}$ | — | V | 6 |

Note:

1. Input must be externally AC-coupled.
2. $V_{RX_DIFFp-p}$ is also referred to as peak to peak input differential voltage
3. The concept of this parameter is equivalent to the Electrical Idle Detect Threshold parameter in PCI Express. Refer to PCI Express Differential Receiver (RX) Input Specifications section for further explanation.
4. The EQ shown in the table refers to the RXEQA or RXEQE bit field of MPC8315E's SerDes Control Register 0.
5. V_{CM_ACp-p} is also referred to as peak to peak AC common mode voltage.
6. On-chip termination to XCOREVSS.

9.5.4 SGMII AC Timing Specifications

This section describes the SGMII transmit and receive AC timing specifications. Transmitter and receiver characteristics are measured at the transmitter outputs (TX[n] and $\overline{TX}[n]$) or at the receiver inputs (RX[n] and $\overline{RX}[n]$) as depicted in [Figure 21](#) respectively.

9.5.4.1 SGMII Transmit AC Timing Specifications

This table provides the SGMII transmit AC timing targets. A source synchronous clock is not provided.

Table 37. SGMII Transmit AC Timing Specifications

At recommended operating conditions with XCOREVDD = 1.0V \pm 5%.

| Parameter | Symbol | Min | Typ | Max | Unit | Note |
|------------------------------|------------|--------|-----|--------|--------|------|
| Deterministic Jitter | JD | — | — | 0.17 | UI p-p | — |
| Total Jitter | JT | — | — | 0.35 | UI p-p | — |
| Unit Interval | UI | 799.92 | 800 | 800.08 | ps | — |
| V_{OD} fall time (80%-20%) | t_{fall} | 50 | — | 120 | ps | — |
| V_{OD} rise time (20%-80%) | t_{rise} | 50 | — | 120 | ps | — |

Note:

1. Each UI is 800 ps \pm 100 ppm.

9.5.4.2 SGMII Receive AC Timing Specifications

This table provides the SGMII receive AC timing specifications. Source synchronous clocking is not supported. Clock is recovered from the data. [Figure 20](#) shows the SGMII Receiver Input Compliance Mask eye diagram.

Table 38. SGMII Receive AC Timing Specifications

At recommended operating conditions with XCOREVDD = 1.0V ± 5%.

| Parameter | Symbol | Min | Typ | Max | Unit | Note |
|--|-----------------|--------|-----|------------|--------|------|
| Deterministic Jitter Tolerance | JD | 0.37 | — | — | UI p-p | 1 |
| Combined Deterministic and Random Jitter Tolerance | JDR | 0.55 | — | — | UI p-p | 1 |
| Sinusoidal Jitter Tolerance | JSIN | 0.1 | — | — | UI p-p | 1 |
| Total Jitter Tolerance | JT | 0.65 | — | — | UI p-p | 1 |
| Bit Error Ratio | BER | — | — | 10^{-12} | | — |
| Unit Interval | UI | 799.92 | 800 | 800.08 | ps | 2 |
| AC Coupling Capacitor | C _{TX} | 5 | — | 200 | nF | 3 |

Note:

1. Measured at receiver.
2. Each UI is 800 ps ± 100 ppm.
3. The external AC coupling capacitor is required. It's recommended to be placed near the device transmitter outputs.
4. Refer to RapidIO™ 1x/4x LP Serial Physical Layer Specification for interpretation of jitter specifications.

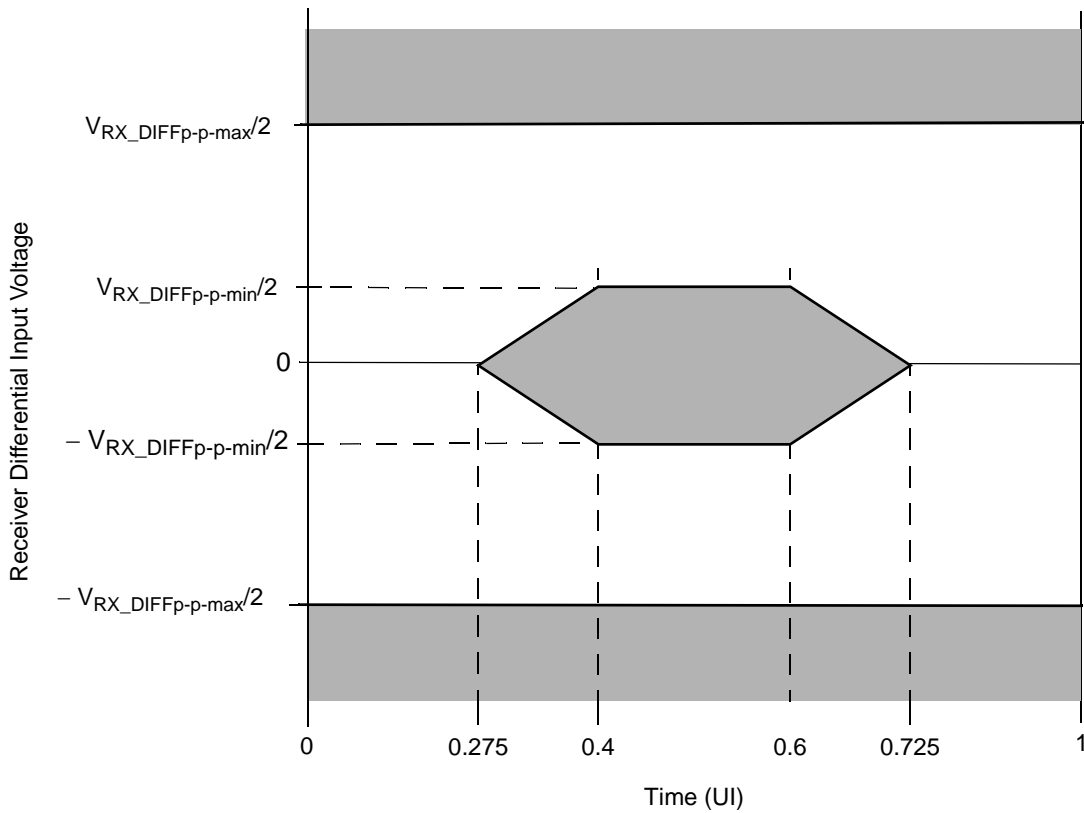


Figure 20. SGMII Receiver Input Compliance Mask

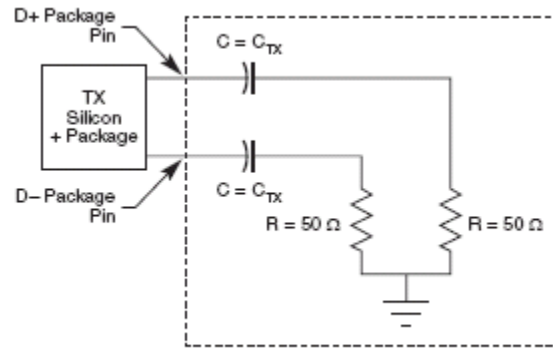


Figure 21. SGMII AC Test/Measurement Load

10 USB

10.1 USB Dual-Role Controllers

This section provides the AC and DC electrical specifications for the USB-ULPI interface.

10.1.1 USB DC Electrical Characteristics

This table lists the DC electrical characteristics for the USB interface.

Table 39. USB DC Electrical Characteristics

| Parameter | Symbol | Min | Max | Unit |
|--|----------|------------|------------|------|
| High-level input voltage | V_{IH} | 2 | LVDD + 0.3 | V |
| Low-level input voltage | V_{IL} | -0.3 | 0.8 | V |
| Input current | I_{IN} | — | ±5 | μA |
| High-level output voltage, $I_{OH} = -100 \mu A$ | V_{OH} | LVDD - 0.2 | — | V |
| Low-level output voltage, $I_{OL} = 100 \mu A$ | V_{OL} | — | 0.2 | V |

Note:

1. The symbol V_{IN} , in this case, represents the NV_{IN} symbol referenced in [Table 1](#) and [Table 2](#).

10.1.2 USB AC Electrical Specifications

This table lists the general timing parameters of the USB-ULPI interface.

Table 40. USB General Timing Parameters

| Parameter | Symbol ¹ | Min | Max | Unit | Note |
|-------------------------------------|---------------------|-----|-----|------|------|
| USB clock cycle time | t_{USCK} | 15 | — | ns | 1, 2 |
| Input setup to USB clock—all inputs | t_{USIVKH} | 4 | — | ns | 1, 4 |
| Input hold to USB clock—all inputs | t_{USIXKH} | 1 | — | ns | 1, 4 |

Table 40. USB General Timing Parameters (continued)

| Parameter | Symbol ¹ | Min | Max | Unit | Note |
|--|---------------------|-----|-----|------|------|
| USB clock to output valid—all outputs | t_{USKHOV} | — | 9 | ns | 1 |
| Output hold from USB clock—all outputs | t_{USKHOX} | 1 | — | ns | 1 |

Note:

1. The symbols used for timing specifications follow the pattern of $t_{(First\ two\ letters\ of\ functional\ block)(signal)(state)(reference)(state)}$ for inputs and $t_{(First\ two\ letters\ of\ functional\ block)(reference)(state)(signal)(state)}$ for outputs. For example, t_{USIXKH} symbolizes USB timing (US) for the input (I) to go invalid (X) with respect to the time the USB clock reference (K) goes high (H). Also, t_{USKHOX} symbolizes USB timing (US) for the us clock reference (K) to go high (H), with respect to the output (O) going invalid (X) or output hold time.
2. All timings are in reference to USB clock.
3. All signals are measured from NVDD/2 of the rising edge of USB clock to $0.4 \times NVDD$ of the signal in question for 3.3-V signaling levels.
4. Input timings are measured at the pin.
5. For purposes of active/float timing measurements, the Hi-Z or off-state is defined to be when the total current delivered through the component pin is less than or equal to the leakage current specification.

Figure 22 and Figure 23 provide the AC test load and signals for the USB, respectively.

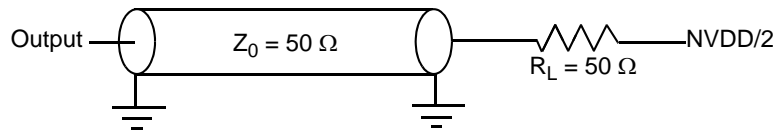


Figure 22. USB AC Test Load

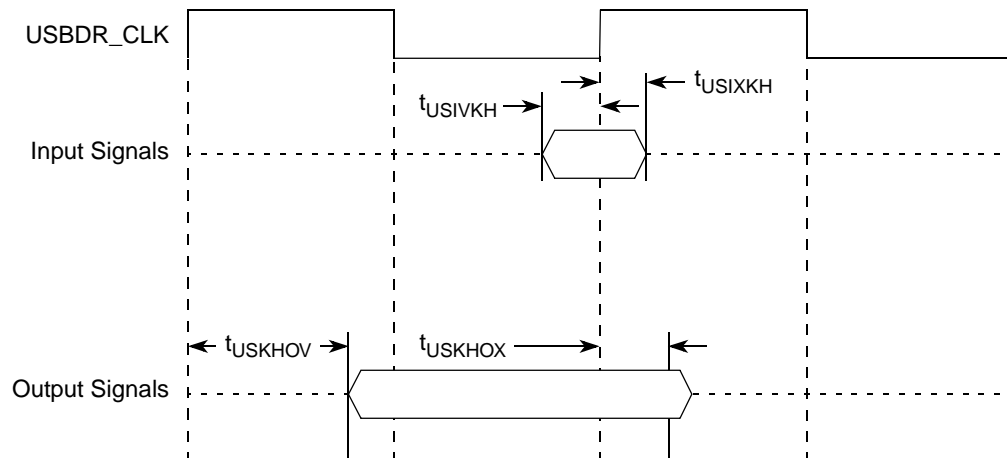


Figure 23. USB Signals

10.2 On-Chip USB PHY

This section provides the AC and DC electrical specifications for the USB PHY interface of the MPC8315E.

For details refer to Tables 7-7 through 7-10, and Table 7-14 in the *USB 2.0 Specifications document*, and the pull-up/down resistors ECN updates, all available at www.usb.org.

This table provides the USB clock input (USB_CLK_IN) DC timing specifications.

Table 41. USB_CLK_IN DC Electrical Characteristics

| Parameter | Symbol | Min | Max | Unit |
|--------------------|----------|------|-----------------|------|
| Input high voltage | V_{IH} | 2.7 | $NV_{DD} + 0.3$ | V |
| Input low voltage | V_{IL} | -0.3 | 0.4 | V |

This table provides the USB clock input (USB_CLK_IN) AC timing specifications.

Table 42. USB_CLK_IN AC Timing Specifications

| Parameter/Condition | Conditions | Symbol | Min | Typical | Max | Unit |
|--|---|--------------------|--------|---------|-------|------|
| Frequency range | — | $f_{USB_CLK_IN}$ | — | 24 | — | MHz |
| Clock frequency tolerance | — | t_{CLK_TOL} | -0.005 | 0 | 0.005 | % |
| Reference clock duty cycle | Measured at 1.6 V | t_{CLK_DUTY} | 40 | 50 | 60 | % |
| Total input jitter/Time interval error | Peak to peak value measured with a second order high-pass filter of 500 KHz bandwidth | t_{CLK_PJ} | — | — | 200 | ps |

11 Local Bus

This section describes the DC and AC electrical specifications for the local bus interface of the MPC8315E.

11.1 Local Bus DC Electrical Characteristics

This table provides the DC electrical characteristics for the local bus interface.

Table 43. DC Electrical Characteristics (when Operating at 3.3 V)

| Parameter | Symbol | Min | Max | Unit |
|---|----------|-----------------|-----------------|---------|
| Output high voltage ($NV_{DD} = \min$, $I_{OH} = -2$ mA) | V_{OH} | $NV_{DD} - 0.2$ | — | V |
| Output low voltage ($NV_{DD} = \min$, $I_{OL} = 2$ mA) | V_{OL} | — | 0.2 | V |
| Input high voltage | V_{IH} | 2 | $NV_{DD} + 0.3$ | V |
| Input low voltage | V_{IL} | -0.3 | 0.8 | V |
| Input high current ($V_{IN} = 0$ V or $V_{IN} = NV_{DD}$) | I_{IN} | — | ± 5 | μA |

11.2 Local Bus AC Electrical Specifications

This table describes the general timing parameters of the local bus interface of the MPC8315E.

Table 44. Local Bus General Timing Parameters

| Parameter | Symbol ¹ | Min | Max | Unit | Note |
|--------------------------------|---------------------|-----|-----|------|------|
| Local bus cycle time | t_{LBK} | 15 | — | ns | 2 |
| Input setup to local bus clock | t_{LBIVKH} | 7 | — | ns | 3, 4 |

Table 44. Local Bus General Timing Parameters (continued)

| Parameter | Symbol ¹ | Min | Max | Unit | Note |
|---|---------------------|-----|-----|------|------|
| Input hold from local bus clock | t_{LBIXKH} | 1.0 | — | ns | 3, 4 |
| LALE output fall to LAD output transition (LATCH hold time) | $t_{LBOTOT1}$ | 1.5 | — | ns | 5 |
| LALE output fall to LAD output transition (LATCH hold time) | $t_{LBOTOT2}$ | 3 | — | ns | 6 |
| LALE output fall to LAD output transition (LATCH hold time) | $t_{LBOTOT3}$ | 2.5 | — | ns | 7 |
| Local bus clock to output valid | t_{LBKHOV} | — | 3 | ns | 3 |
| Local bus clock to output high impedance for LAD | t_{LBKHOZ} | — | 4 | ns | 8 |
| LALE output rise to LCLK negative edge | $t_{LALEHOV}$ | — | 3.0 | ns | |

Note:

1. The symbols used for timing specifications herein follow the pattern of $t_{(\text{First two letters of functional block})(\text{signal})(\text{state})(\text{reference})(\text{state})}$ for inputs and $t_{(\text{First two letters of functional block})(\text{reference})(\text{state})(\text{signal})(\text{state})}$ for outputs. For example, $t_{LBIXKH1}$ symbolizes local bus timing (LB) for the input (I) to go invalid (X) with respect to the time the t_{LBK} clock reference (K) goes high (H), in this case for clock one(1). Also, t_{LBKHOX} symbolizes local bus timing (LB) for the t_{LBK} clock reference (K) to go high (H), with respect to the output (O) going invalid (X) or output hold time.
2. All timings are in reference to falling edge of LCLK0 (for all outputs and for \overline{LGTA} and LUPWAIT inputs) or rising edge of LCLK0 (for all other inputs).
3. All signals are measured from $NVDD/2$ of the rising/falling edge of LCLK0 to $0.4 \times NVDD$ of the signal in question for 3.3-V signaling levels.
4. Input timings are measured at the pin.
5. $t_{LBOTOT1}$ should be used when RCWH[LALE] is not set and the load on LALE output pin is at least 10pF less than the load on LAD output pins.
6. $t_{LBOTOT2}$ should be used when RCWH[LALE] is set and the load on LALE output pin is at least 10pF less than the load on LAD output pins.
7. $t_{LBOTOT3}$ should be used when RCWH[LALE] is set and the load on LALE output pin equals to the load on LAD output pins.
8. For active/float timing measurements, the Hi-Z or off state is defined to be when the total current delivered through the component pin is less than or equal to the leakage current specification.

This figure provides the AC test load for the local bus.

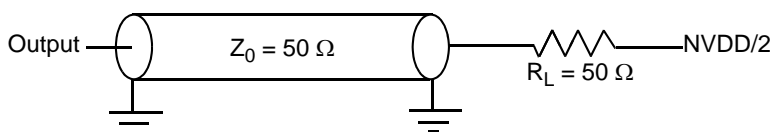


Figure 24. Local Bus AC Test Load

Figure 25 through Figure 27 show the local bus signals.

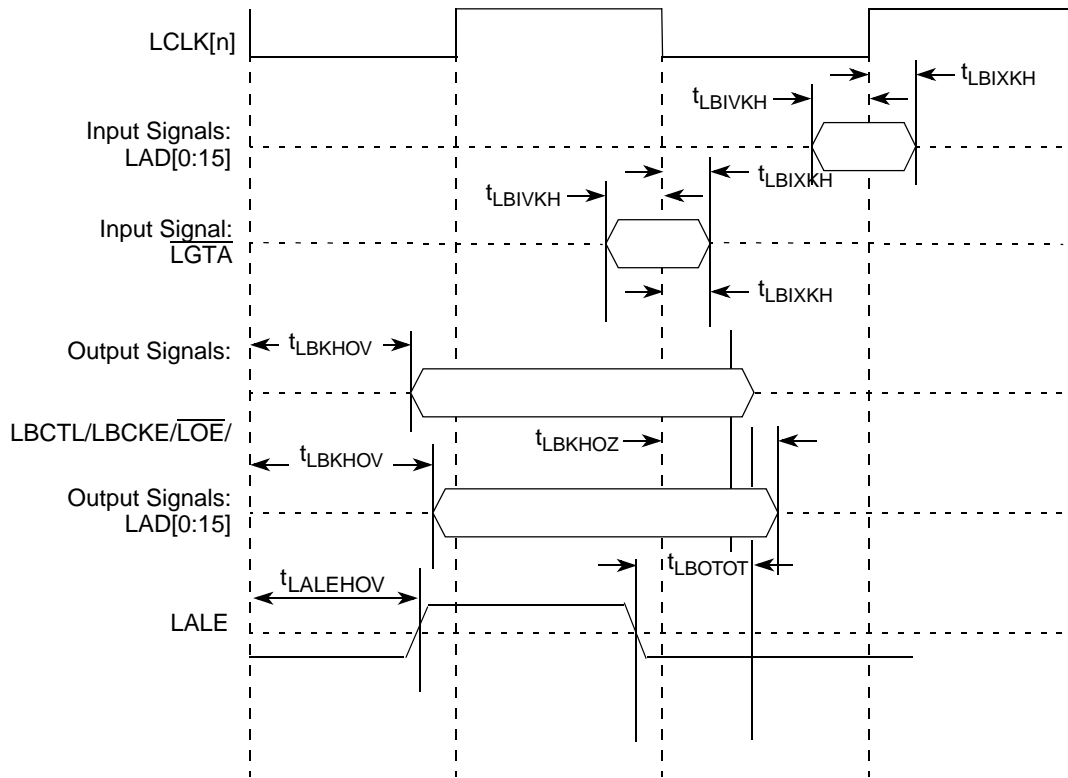


Figure 25. Local Bus Signals, Nonspecial Signals Only

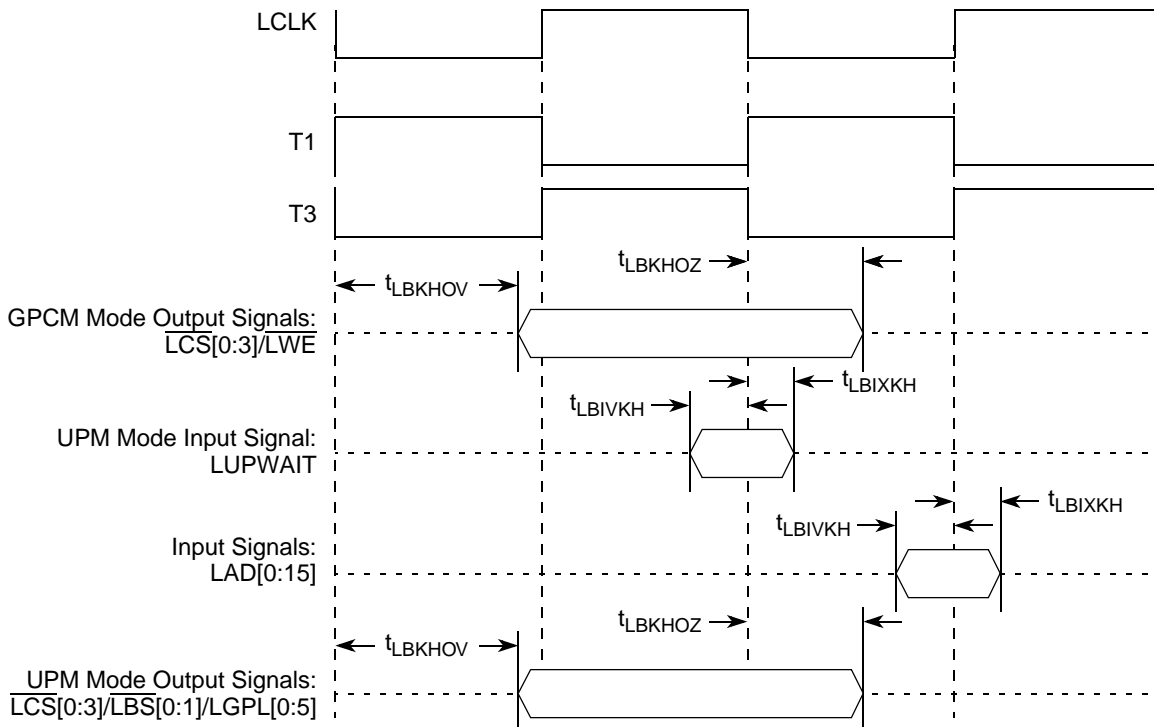


Figure 26. Local Bus Signals, GPCM/UPM Signals for LCRR[CLKDIV] = 2

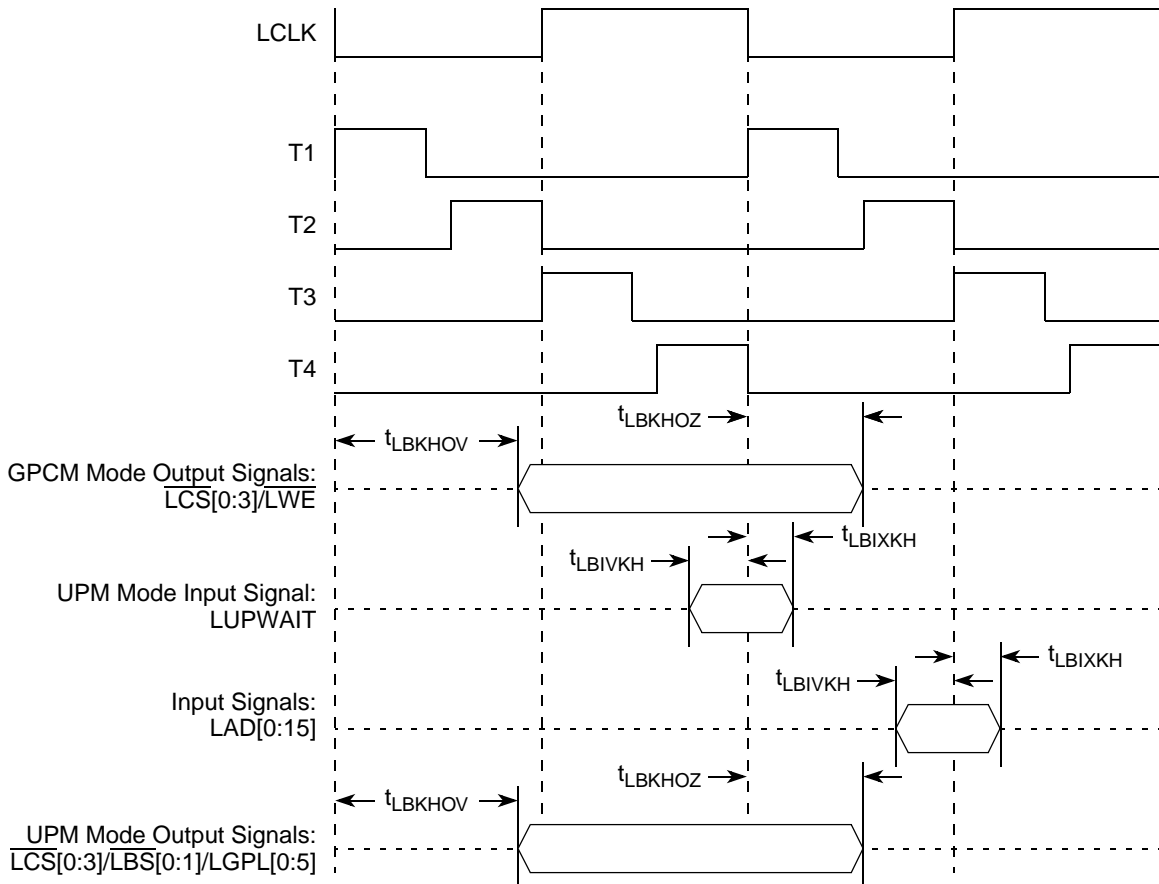


Figure 27. Local Bus Signals, GPCM/UPM Signals for LCRR[CLKDIV] = 4

12 JTAG

This section describes the DC and AC electrical specifications for the IEEE Std 1149.1™ (JTAG) interface.

12.1 JTAG DC Electrical Characteristics

This table provides the DC electrical characteristics for the IEEE 1149.1 (JTAG) interface.

Table 45. JTAG Interface DC Electrical Characteristics

| Characteristic | Symbol | Condition | Min | Max | Unit |
|---------------------|----------|--------------------|------|--------------|------|
| Input high voltage | V_{IH} | — | 2.1 | $NVDD + 0.3$ | V |
| Input low voltage | V_{IL} | — | -0.3 | 0.8 | V |
| Input current | I_{IN} | — | — | ±5 | μA |
| Output high voltage | V_{OH} | $I_{OH} = -8.0$ mA | 2.4 | — | V |
| Output low voltage | V_{OL} | $I_{OL} = 8.0$ mA | — | 0.5 | V |
| Output low voltage | V_{OL} | $I_{OL} = 3.2$ mA | — | 0.4 | V |

12.2 JTAG AC Timing Specifications

This section describes the AC electrical specifications for the IEEE 1149.1 (JTAG) interface. This table provides the JTAG AC timing specifications as defined in [Figure 29](#) through [Figure 32](#).

Table 46. JTAG AC Timing Specifications (Independent of SYS_CLK_IN) ¹

At recommended operating conditions (see [Table 2](#))

| Parameter | Symbol ² | Min | Max | Unit | Note |
|---|------------------------------|----------|----------|------|------|
| JTAG external clock frequency of operation | f_{JTG} | 0 | 33.3 | MHz | — |
| JTAG external clock cycle time | t_{JTG} | 30 | — | ns | — |
| JTAG external clock pulse width measured at 1.4 V | t_{JTKHKL} | 15 | — | ns | — |
| JTAG external clock rise and fall times | t_{JTGR}, t_{JTGF} | 0 | 2 | ns | — |
| \overline{TRST} assert time | t_{TRST} | 25 | — | ns | 3 |
| Input setup times: | | | | ns | 4 |
| Boundary-scan data TMS, TDI | t_{JTDVKH} t_{JTIVKH} | 4 4 | — — | | |
| Input hold times: | | | | ns | 4 |
| Boundary-scan data TMS, TDI | t_{JTDXKH} t_{JTIXKH} | 10 10 | — — | | |
| Valid times: | | | | ns | 5 |
| Boundary-scan data TDO | t_{JTKLDV} t_{JTKLOV} | 2 2 | 11 11 | | |
| Output hold times: | | | | ns | 5 |
| Boundary-scan data TDO | t_{JTKLDX} t_{JTKLOX} | 2 2 | — — | | |
| JTAG external clock to output high impedance: | | | | ns | 5, 6 |
| Boundary-scan data TDO | t_{JTKLDZ} t_{JTKLOZ} | 2 2 | 19 9 | | |

Note:

- All outputs are measured from the midpoint voltage of the falling/rising edge of t_{TCLK} to the midpoint of the signal in question. The output timings are measured at the pins. All output timings assume a purely resistive 50-Ω load (see [Table 28](#)). Time-of-flight delays must be added for trace lengths, vias, and connectors in the system.
- The symbols used for timing specifications herein follow the pattern of $t_{(first\ two\ letters\ of\ functional\ block)(signal)(state)\ (reference)(state)}$ for inputs and $t_{(first\ two\ letters\ of\ functional\ block)(reference)(state)(signal)(state)}$ for outputs. For example, t_{JTDVKH} symbolizes JTAG device timing (JT) with respect to the time data input signals (D) reaching the valid state (V) relative to the t_{JTG} clock reference (K) going to the high (H) state or setup time. Also, t_{JTDXKH} symbolizes JTAG timing (JT) with respect to the time data input signals (D) went invalid (X) relative to the t_{JTG} clock reference (K) going to the high (H) state. Note that, in general, the clock reference symbol representation is based on three letters representing the clock of a particular functional. For rise and fall times, the latter convention is used with the appropriate letter: R (rise) or F (fall).
- \overline{TRST} is an asynchronous level sensitive signal. The setup time is for test purposes only.
- Non-JTAG signal input timing with respect to t_{TCLK} .
- Non-JTAG signal output timing with respect to t_{TCLK} .
- Guaranteed by design and characterization.

This figure provides the AC test load for TDO and the boundary-scan outputs of the MPC8315E.

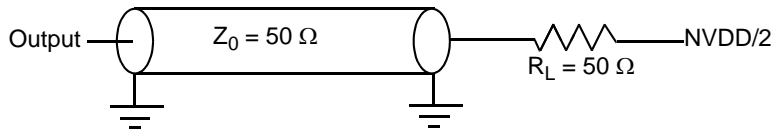


Figure 28. AC Test Load for the JTAG Interface

This figure provides the JTAG clock input timing diagram.

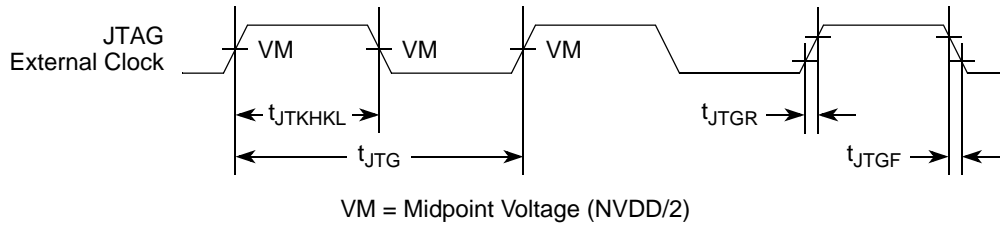


Figure 29. JTAG Clock Input Timing Diagram

This figure provides the $\overline{\text{TRST}}$ timing diagram.

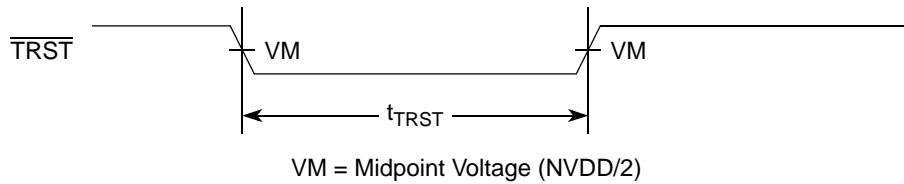


Figure 30. $\overline{\text{TRST}}$ Timing Diagram

This figure provides the boundary-scan timing diagram.

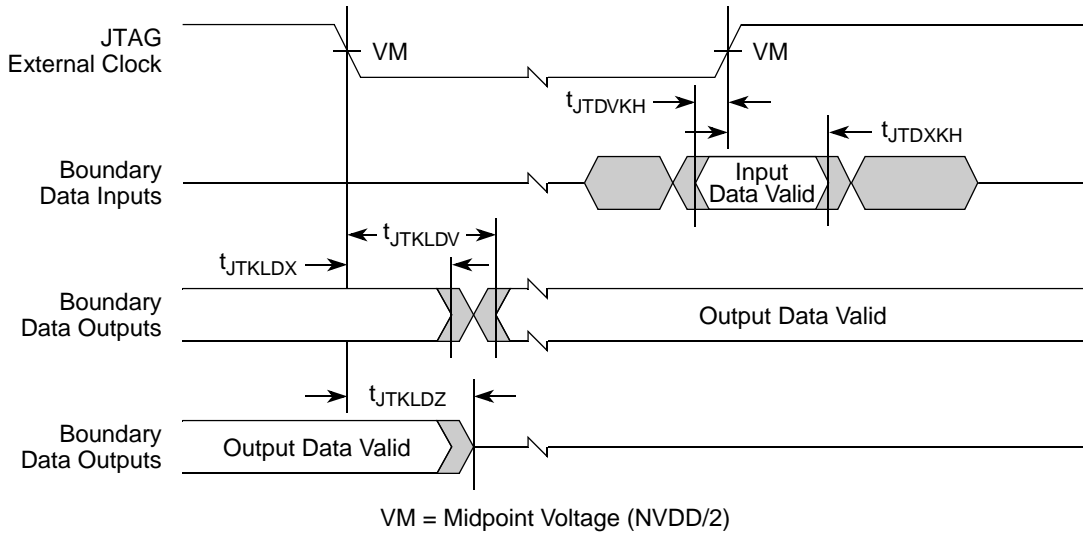


Figure 31. Boundary-Scan Timing Diagram

This figure provides the test access port timing diagram.

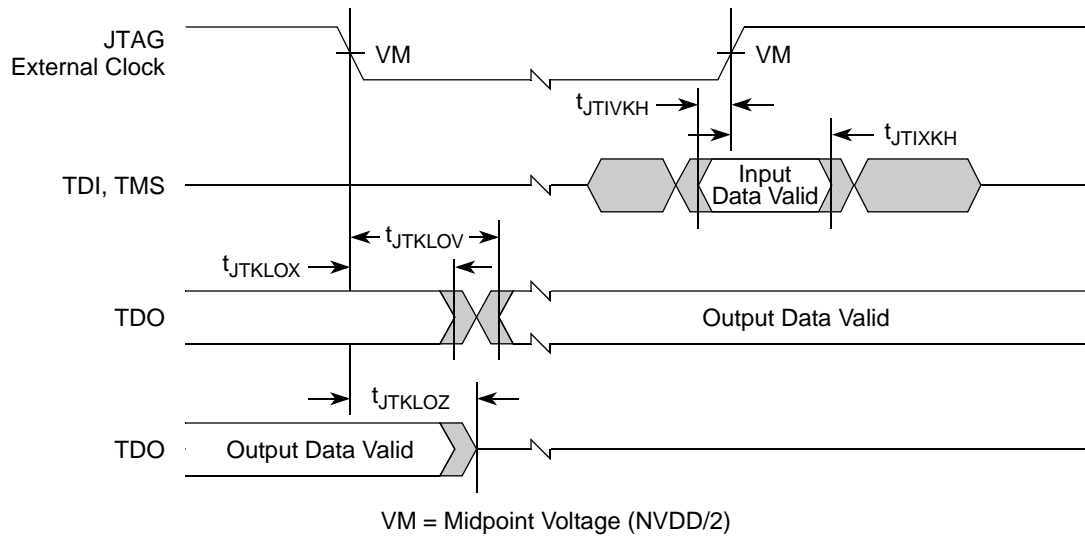


Figure 32. Test Access Port Timing Diagram

13 I²C

This section describes the DC and AC electrical characteristics for the I²C interface of the MPC8315E.

13.1 I²C DC Electrical Characteristics

This table provides the DC electrical characteristics for the I²C interface.

Table 47. I²C DC Electrical Characteristics

At recommended operating conditions with NVDD of 3.3 V ± 300 mV

| Parameter | Symbol | Min | Max | Unit | Note |
|---|--------------|-----------------------|-------------------|------|------|
| Input high voltage level | V_{IH} | $0.7 \times NVDD$ | $NVDD + 0.3$ | V | — |
| Input low voltage level | V_{IL} | -0.3 | $0.3 \times NVDD$ | V | — |
| Low level output voltage | V_{OL} | 0 | $0.2 \times NVDD$ | V | 1 |
| High level output voltage | V_{OH} | $0.8 \times NVDD$ | $NVDD + 0.3$ | V | — |
| Output fall time from $V_{IH}(\min)$ to $V_{IL}(\max)$ with a bus capacitance from 10 to 400 pF | t_{I2KLV} | $20 + 0.1 \times C_B$ | 250 | ns | 2 |
| Pulse width of spikes which must be suppressed by the input filter | t_{I2KHKL} | 0 | 50 | ns | 3 |
| Capacitance for each I/O pin | C_I | — | 10 | pF | — |
| Input current ($0\text{ V} \leq V_{IN} \leq NVDD$) | I_{IN} | — | ± 5 | μA | 4 |

Note:

- Output voltage (open drain or open collector) condition = 3 mA sink current.
- C_B = capacitance of one bus line in pF.
- See the *MPC8315E PowerQUICC II Pro Integrated Host Processor Family Reference Manual* for information on the digital filter used.
- I/O pins obstruct the SDA and SCL lines if NVDD is switched off.

13.2 I²C AC Electrical Specifications

This table provides the AC timing parameters for the I²C interface.

Table 48. I²C AC Electrical Specifications

All values refer to V_{IH} (min) and V_{IL} (max) levels (see Table 47)

| Parameter | Symbol ¹ | Min | Max | Unit |
|--|--------------------------------|---------------------|-----------------------|------|
| SCL clock frequency | f _{I2C} | 0 | 400 | kHz |
| Low period of the SCL clock | t _{I2CL} | 1.3 | — | μs |
| High period of the SCL clock | t _{I2CH} | 0.6 | — | μs |
| Setup time for a repeated START condition | t _{I2SVKH} | 0.6 | — | μs |
| Hold time (repeated) START condition (after this period, the first clock pulse is generated) | t _{I2SXKL} | 0.6 | — | μs |
| Data setup time | t _{I2DVKH} | 100 | — | ns |
| Data hold time: CBUS compatible masters I ² C bus devices | t _{I2DXKL} | — 0 ² | — 0.9 ³ | μs |
| Fall time of both SDA and SCL signals | t _{I2CF} ⁴ | — | 300 | ns |
| Setup time for STOP condition | t _{I2PVKH} | 0.6 | — | μs |
| Bus free time between a STOP and START condition | t _{I2KHDX} | 1.3 | — | μs |
| Noise margin at the LOW level for each connected device (including hysteresis) | V _{NL} | 0.1 × NVDD | — | V |
| Noise margin at the HIGH level for each connected device (including hysteresis) | V _{NH} | 0.2 × NVDD | — | V |

Note:

1. The symbols used for timing specifications follow the pattern of t_{(first two letters of functional block)(signal)(state)(reference)(state)} for inputs and t_{(first two letters of functional block)(reference)(state)(signal)(state)} for outputs. For example, t_{I2DVKH} symbolizes I²C timing (I2) with respect to the time data input signals (D) reach the valid state (V) relative to the t_{I2C} clock reference (K) going to the high (H) state or setup time. Also, t_{I2SXKL} symbolizes I²C timing (I2) for the time that the data with respect to the start condition (S) went invalid (X) relative to the t_{I2C} clock reference (K) going to the low (L) state or hold time. Also, t_{I2PVKH} symbolizes I²C timing (I2) for the time that the data with respect to the stop condition (P) reaching the valid state (V) relative to the t_{I2C} clock reference (K) going to the high (H) state or setup time. For rise and fall times, the latter convention is used with the appropriate letter: R (rise) or F (fall).
2. MPC8315E provides a hold time of at least 300 ns for the SDA signal (referred to the V_{IHmin} of the SCL signal) to bridge the undefined region of the falling edge of SCL.
3. The maximum t_{I2DVKH} has to be met only if the device does not stretch the LOW period (t_{I2CL}) of the SCL signal.
4. MPC8315E does not follow the *I2C-BUS Specifications* version 2.1 regarding the tI2CF AC parameter.

This figure provides the AC test load for the I²C.

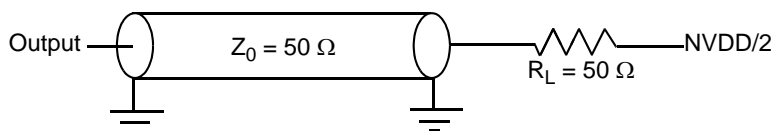


Figure 33. I²C AC Test Load

This figure shows the AC timing diagram for the I²C bus.

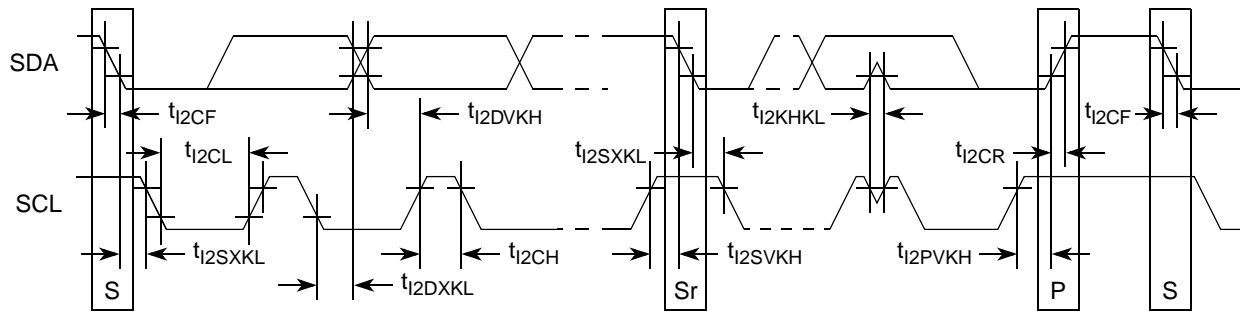


Figure 34. I²C Bus AC Timing Diagram

14 PCI

This section describes the DC and AC electrical specifications for the PCI bus of the MPC8315E.

14.1 PCI DC Electrical Characteristics

This table provides the DC electrical characteristics for the PCI interface.

Table 49. PCI DC Electrical Characteristics ¹

| Parameter | Symbol | Test Condition | Min | Max | Unit |
|---------------------------|----------|--|-------------------|-------------------|---------------|
| High-level input voltage | V_{IH} | $V_{OUT} \geq V_{OH} (\text{min})$ or | $0.5 \times NVDD$ | $NVDD + 0.3$ | V |
| Low-level input voltage | V_{IL} | $V_{OUT} \leq V_{OL} (\text{max})$ | -0.5 | $0.3 \times NVDD$ | V |
| High-level output voltage | V_{OH} | $NVDD = \text{min}$, $I_{OH} = -500 \mu\text{A}$ | $0.9 \times NVDD$ | — | V |
| Low-level output voltage | V_{OL} | $NVDD = \text{min}$, $I_{OL} = 1500 \mu\text{A}$ | — | $0.1 \times NVDD$ | V |
| Input current | I_{IN} | $0 \text{ V} \leq V_{IN} \leq NVDD$ | — | ± 10 | μA |

Note:

1. The symbol V_{IN} , in this case, represents the NV_{IN} symbol referenced in Table 1 and Table 2.

14.2 PCI AC Electrical Specifications

This section describes the general AC timing parameters of the PCI bus. Note that the PCI_CLK or PCI_SYNC_IN signal is used as the PCI input clock depending on whether the MPC8315E is configured as a host or agent device. This table shows the PCI AC timing specifications at 66 MHz.

Table 50. PCI AC Timing Specifications at 66 MHz

| Parameter | Symbol ¹ | Min | Max | Unit | Note |
|--------------------------------|---------------------|-----|-----|------|------|
| Clock to output valid | t_{PCKHOV} | — | 6.0 | ns | 2 |
| Output hold from clock | t_{PCKHOX} | 1 | — | ns | 2 |
| Clock to output high impedance | t_{PCKHOZ} | — | 14 | ns | 2, 3 |
| Input setup to clock | t_{PCIVKH} | 3.3 | — | ns | 2, 4 |

Table 50. PCI AC Timing Specifications at 66 MHz (continued)

| Parameter | Symbol ¹ | Min | Max | Unit | Note |
|-----------------------|---------------------|-----|-----|------|------|
| Input hold from clock | t_{PCIXKH} | 0 | — | ns | 2, 4 |

Note:

- Note that the symbols used for timing specifications herein follow the pattern of $t_{(first\ two\ letters\ of\ functional\ block)(signal)(state)\ (reference)(state)}$ for inputs and $t_{(first\ two\ letters\ of\ functional\ block)(reference)(state)(signal)(state)}$ for outputs. For example, t_{PCIVKH} symbolizes PCI timing (PC) with respect to the time the input signals (I) reach the valid state (V) relative to the PCI_SYNC_IN clock, t_{SYS} , reference (K) going to the high (H) state or setup time. Also, t_{PCRHFV} symbolizes PCI timing (PC) with respect to the time hard reset (R) went high (H) relative to the frame signal (F) going to the valid (V) state.
- See the timing measurement conditions in the *PCI 2.3 Local Bus Specifications*.
- For purposes of active/float timing measurements, the Hi-Z or off state is defined to be when the total current delivered through the component pin is less than or equal to the leakage current specification.
- Input timings are measured at the pin.

This table shows the PCI AC Timing Specifications at 33 MHz.

Table 51. PCI AC Timing Specifications at 33 MHz

| Parameter | Symbol ¹ | Min | Max | Unit | Note |
|--------------------------------|---------------------|-----|-----|------|------|
| Clock to output valid | t_{PCKHOV} | — | 11 | ns | 2 |
| Output hold from clock | t_{PCKHOX} | 2 | — | ns | 2 |
| Clock to output high impedance | t_{PCKHOZ} | — | 14 | ns | 2, 3 |
| Input setup to clock | t_{PCIVKH} | 4.0 | — | ns | 2, 4 |
| Input hold from clock | t_{PCIXKH} | 0 | — | ns | 2, 4 |

Note:

- Note that the symbols used for timing specifications follow the pattern of $t_{(first\ two\ letters\ of\ functional\ block)(signal)(state)\ (reference)(state)}$ for inputs and $t_{(first\ two\ letters\ of\ functional\ block)(reference)(state)(signal)(state)}$ for outputs. For example, t_{PCIVKH} symbolizes PCI timing (PC) with respect to the time the input signals (I) reach the valid state (V) relative to the PCI_SYNC_IN clock, t_{SYS} , reference (K) going to the high (H) state or setup time. Also, t_{PCRHFV} symbolizes PCI timing (PC) with respect to the time hard reset (R) went high (H) relative to the frame signal (F) going to the valid (V) state.
- See the timing measurement conditions in the *PCI 2.3 Local Bus Specifications*.
- For purposes of active/float timing measurements, the Hi-Z or off state is defined to be when the total current delivered through the component pin is less than or equal to the leakage current specification.
- Input timings are measured at the pin.

This figure provides the AC test load for PCI.

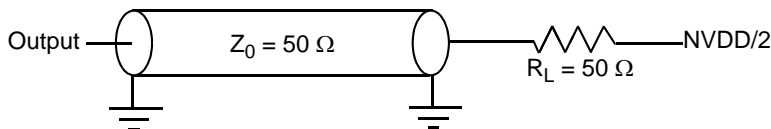


Figure 35. PCI AC Test Load

This figure shows the PCI input AC timing conditions.

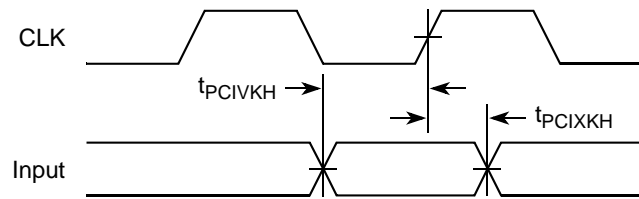


Figure 36. PCI Input AC Timing Measurement Conditions

This figure shows the PCI output AC timing conditions.

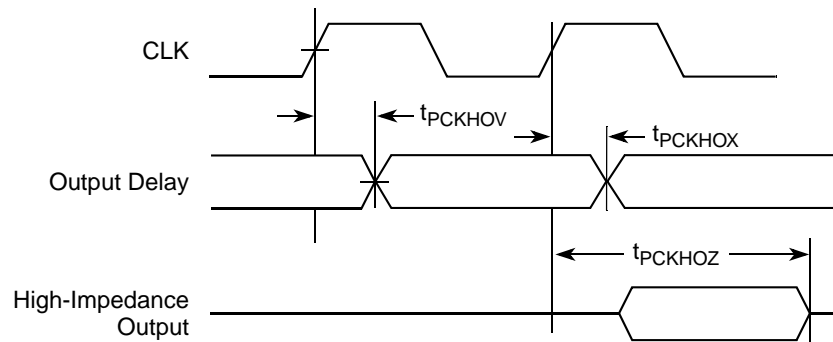


Figure 37. PCI Output AC Timing Measurement Condition

15 High-Speed Serial Interfaces (HSSI)

This section describes the common portion of SerDes DC electrical specifications, which is the DC requirement for SerDes Reference Clocks. The SerDes data lane's transmitter and receiver reference circuits are also shown.

15.1 Signal Terms Definition

The SerDes utilizes differential signaling to transfer data across the serial link. This section defines terms used in the description and specification of differential signals.

Figure 38 shows how the signals are defined. For illustration purpose, only one SerDes lane is used for description. The figure shows waveform for either a transmitter output (TX_n and \overline{TX}_n) or a receiver input (RX_n and \overline{RX}_n). Each signal swings between A Volts and B Volts where $A > B$.

Using this waveform, the definitions are as follows. To simplify illustration, the following definitions assume that the SerDes transmitter and receiver operate in a fully symmetrical differential signaling environment.

1. Single-Ended Swing

The transmitter output signals and the receiver input signals TX_n , \overline{TX}_n , RX_n and \overline{RX}_n each have a peak-to-peak swing of $A - B$ Volts. This is also referred as each signal wire's Single-Ended Swing.

2. Differential Output Voltage, V_{OD} (or Differential Output Swing):

The Differential Output Voltage (or Swing) of the transmitter, V_{OD} , is defined as the difference of the two complimentary output voltages: $V_{TXn} - V_{\overline{TXn}}$. The V_{OD} value can be either positive or negative.

3. **Differential Input Voltage, V_{ID} (or Differential Input Swing):**

The Differential Input Voltage (or Swing) of the receiver, V_{ID} , is defined as the difference of the two complimentary input voltages: $V_{RXn} - V_{\overline{RXn}}$. The V_{ID} value can be either positive or negative.

4. **Differential Peak Voltage, V_{DIFFp}**

The peak value of the differential transmitter output signal or the differential receiver input signal is defined as Differential Peak Voltage, $V_{DIFFp} = |A - B|$ Volts.

5. **Differential Peak-to-Peak, $V_{DIFFp-p}$**

Because the differential output signal of the transmitter and the differential input signal of the receiver each range from $A - B$ to $-(A - B)$ Volts, the peak-to-peak value of the differential transmitter output signal or the differential receiver input signal is defined as Differential Peak-to-Peak Voltage, $V_{DIFFp-p} = 2 * V_{DIFFp} = 2 * |A - B|$ Volts, which is twice of differential swing in amplitude, or twice of the differential peak. For example, the output differential peak-peak voltage can also be calculated as $V_{TX-DIFFp-p} = 2 * |V_{OD}|$.

6. **Differential Waveform**

The differential waveform is constructed by subtracting the inverting signal (\overline{TXn} , for example) from the non-inverting signal (TXn , for example) within a differential pair. There is only one signal trace curve in a differential waveform. The voltage represented in the differential waveform is not referenced to ground. Refer to [Figure 47](#) as an example for differential waveform.

7. **Common Mode Voltage, V_{cm}**

The Common Mode Voltage is equal to one half of the sum of the voltages between each conductor of a balanced interchange circuit and ground. In this example, for SerDes output, $V_{cm_out} = (V_{TXn} + V_{\overline{TXn}}) / 2 = (A + B) / 2$, which is the arithmetic mean of the two complimentary output voltages within a differential pair. In a system, the common mode voltage may often differ from one component's output to the other's input. Sometimes, it may be even different between the receiver input and driver output circuits within the same component. It's also referred as the DC offset in some occasion.

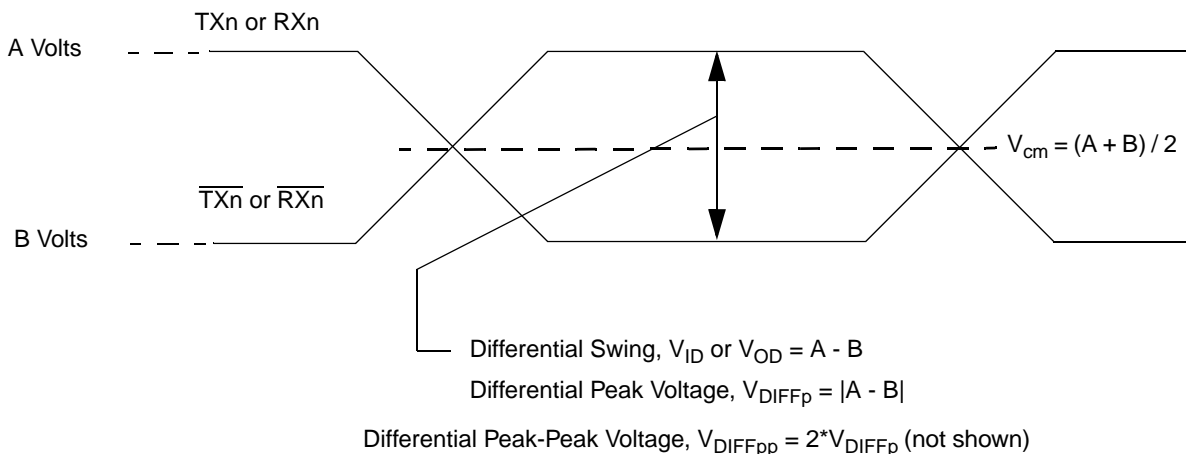


Figure 38. Differential Voltage Definitions for Transmitter or Receiver

To illustrate these definitions using real values, consider the case of a CML (Current Mode Logic) transmitter that has a common mode voltage of 2.25 V and each of its outputs, TD and $\overline{\text{TD}}$, has a swing that goes between 2.5V and 2.0V. Using these values, the peak-to-peak voltage swing of each signal (TD or $\overline{\text{TD}}$) is 500 mV p-p, which is referred as the single-ended swing for each signal. In this example, since the differential signaling environment is fully symmetrical, the transmitter output's differential swing (V_{OD}) has the same amplitude as each signal's single-ended swing. The differential output signal ranges between 500 mV and -500 mV, in other words, V_{OD} is 500 mV in one phase and -500 mV in the other phase. The peak differential voltage (V_{DIFFp}) is 500 mV. The peak-to-peak differential voltage ($V_{\text{DIFFp-p}}$) is 1000 mV p-p.

15.2 SerDes Reference Clocks

The SerDes reference clock inputs are applied to an internal PLL whose output creates the clock used by the corresponding SerDes lanes. The SerDes reference clocks input is SD_REF_CLK and $\overline{\text{SD_REF_CLK}}$ for PCI Express and SGMII interface.

The following sections describe the SerDes reference clock requirements and some application information.

15.2.1 SerDes Reference Clock Receiver Characteristics

Figure 39 shows a receiver reference diagram of the SerDes reference clocks.

- The supply voltage requirements for XCOREVDD are specified in Table 1 and Table 2.
- SerDes Reference Clock Receiver Reference Circuit Structure
 - The SD_REF_CLK and $\overline{\text{SD_REF_CLK}}$ are internally AC-coupled differential inputs as shown in Figure 39. Each differential clock input (SD_REF_CLK or $\overline{\text{SD_REF_CLK}}$) has a 50- Ω termination to XCOREVSS followed by on-chip AC-coupling.
 - The external reference clock driver must be able to drive this termination.
 - The SerDes reference clock input can be either differential or single-ended. Refer to the Differential Mode and Single-ended Mode description below for further detailed requirements.

- The maximum average current requirement that also determines the common mode voltage range
 - When the SerDes reference clock differential inputs are DC coupled externally with the clock driver chip, the maximum average current allowed for each input pin is 8mA. In this case, the exact common mode input voltage is not critical as long as it is within the range allowed by the maximum average current of 8 mA (refer to the following bullet for more detail), since the input is AC-coupled on-chip.
 - This current limitation sets the maximum common mode input voltage to be less than 0.4V ($0.4V/50 = 8mA$) while the minimum common mode input level is 0.1V above XCOREVSS. For example, a clock with a 50/50 duty cycle can be produced by a clock driver with output driven by its current source from 0mA to 16mA (0-0.8V), such that each phase of the differential input has a single-ended swing from 0V to 800mV with the common mode voltage at 400mV.
 - If the device driving the $\overline{SD_REF_CLK}$ and SD_REF_CLK inputs cannot drive 50 ohms to XCOREVSS DC, or it exceeds the maximum input current limitations, then it must be AC-coupled off-chip.
- The input amplitude requirement
 - This requirement is described in detail in the following sections.

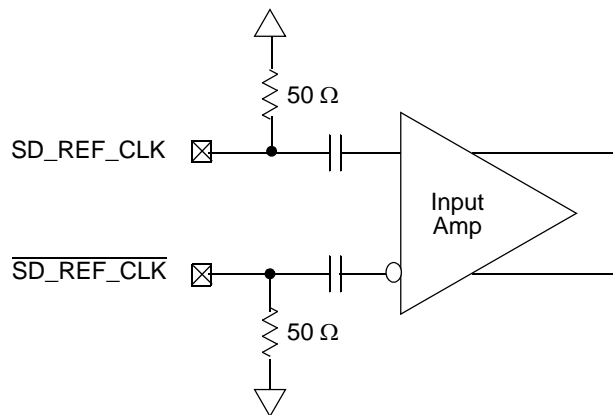


Figure 39. Receiver of SerDes Reference Clocks

15.2.2 DC Level Requirement for SerDes Reference Clocks

The DC level requirement for the MPC8315E SerDes reference clock inputs is different depending on the signaling mode used to connect the clock driver chip and SerDes reference clock inputs as described below.

- **Differential Mode**
 - The input amplitude of the differential clock must be between 400mV and 1600mV differential peak-peak (or between 200mV and 800mV differential peak). In other words, each signal wire of the differential pair must have a single-ended swing less than 800mV and greater than 200mV. This requirement is the same for both external DC-coupled or AC-coupled connection.
 - For **external DC-coupled** connection, as described in section 15.2.1, the maximum average current requirements sets the requirement for average voltage (common mode voltage) to be

between 100 mV and 400 mV. Figure 40 shows the SerDes reference clock input requirement for DC-coupled connection scheme.

- For **external AC-coupled** connection, there is no common mode voltage requirement for the clock driver. Since the external AC-coupling capacitor blocks the DC level, the clock driver and the SerDes reference clock receiver operate in different common mode voltages. The SerDes reference clock receiver in this connection scheme has its common mode voltage set to XCOREVSS. Each signal wire of the differential inputs is allowed to swing below and above the common mode voltage (XCOREVSS). Figure 41 shows the SerDes reference clock input requirement for AC-coupled connection scheme.

- **Single-ended Mode**

- The reference clock can also be single-ended. The SD_REF_CLK input amplitude (single-ended swing) must be between 400mV and 800mV peak-peak (from V_{min} to V_{max}) with $\overline{SD_REF_CLK}$ either left unconnected or tied to ground.
- The SD_REF_CLK input average voltage must be between 200 and 400 mV. Figure 42 shows the SerDes reference clock input requirement for single-ended signaling mode.
- To meet the input amplitude requirement, the reference clock inputs might need to be DC or AC-coupled externally. For the best noise performance, the reference of the clock could be DC or AC-coupled into the unused phase (SD_REF_CLK) through the same source impedance as the clock input (SD_REF_CLK) in use.

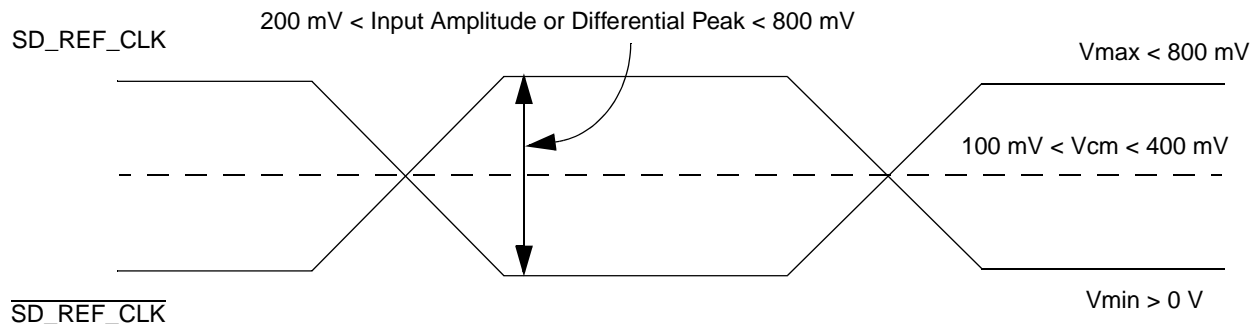


Figure 40. Differential Reference Clock Input DC Requirements (External DC-Coupled)

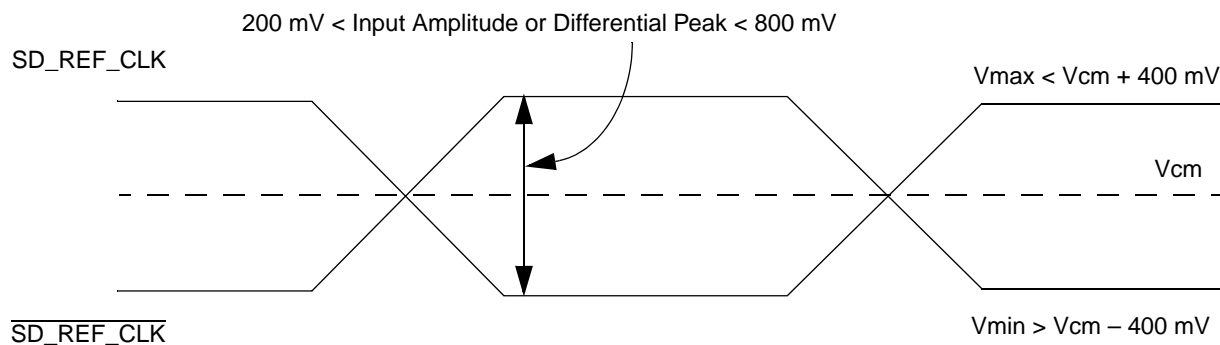


Figure 41. Differential Reference Clock Input DC Requirements (External AC-Coupled)

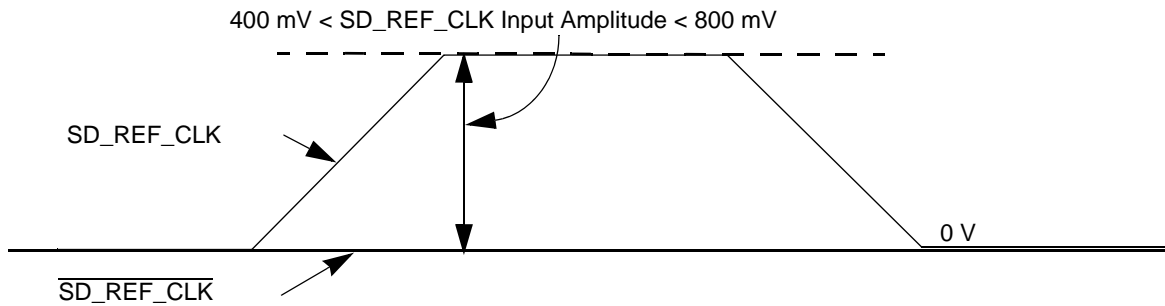


Figure 42. Single-Ended Reference Clock Input DC Requirements

15.2.3 Interfacing With Other Differential Signaling Levels

With on-chip termination to XCOREVSS, the differential reference clocks inputs are HCSL (High-Speed Current Steering Logic) compatible DC-coupled.

Many other low voltage differential type outputs like LVDS (Low Voltage Differential Signaling) can be used but may need to be AC-coupled due to the limited common mode input range allowed (100 to 400 mV) for DC-coupled connection.

LVPECL outputs can produce signal with too large amplitude and may need to be DC-biased at clock driver output first, then followed with series attenuation resistor to reduce the amplitude, in addition to AC-coupling.

NOTE

Figure 43–Figure 46 are for conceptual reference only. Due to the fact that clock driver chip's internal structure, output impedance and termination requirements are different between various clock driver chip manufacturers, it's very possible that the clock circuit reference designs provided by clock driver chip vendor are different from what is shown below. They might also vary from one vendor to the other. Therefore, Freescale Semiconductor can neither provide the optimal clock driver reference circuits, nor guarantee the correctness of the following clock driver connection reference circuits. The system designer is recommended to contact the selected clock driver chip vendor for the optimal reference circuits with the MPC8315E SerDes reference clock receiver requirement provided in this document.

This figure shows the SerDes reference clock connection reference circuits for HCSL type clock driver. It assumes that the DC levels of the clock driver chip is compatible with MPC8315E SerDes reference clock input's DC requirement.

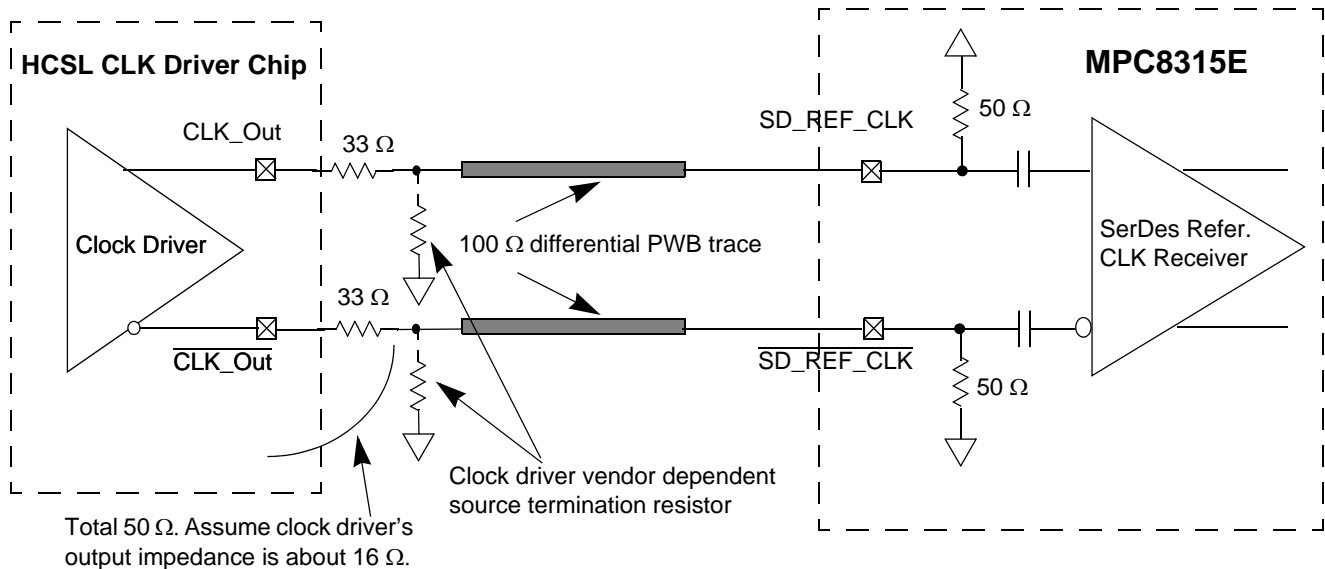


Figure 43. DC-Coupled Differential Connection with HCSL Clock Driver (Reference Only)

This figure shows the SerDes reference clock connection reference circuits for LVDS type clock driver. Since LVDS clock driver's common mode voltage is higher than the MPC8315E SerDes reference clock input's allowed range (100 to 400mV), AC-coupled connection scheme must be used. It assumes the LVDS output driver features 50- Ω termination resistor. It also assumes that the LVDS transmitter establishes its own common mode level without relying on the receiver or other external component.

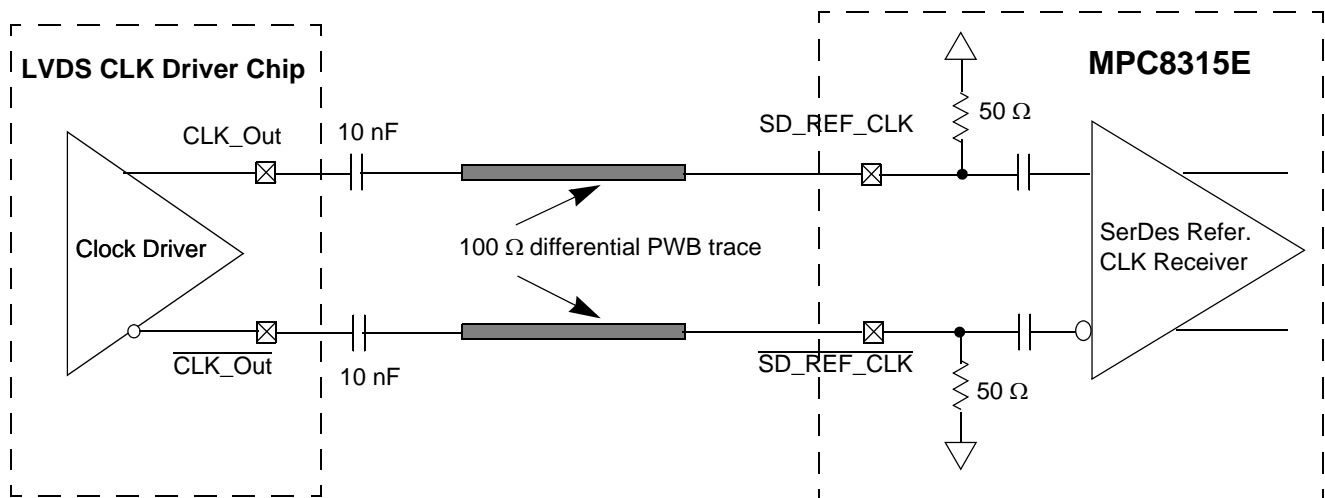


Figure 44. AC-Coupled Differential Connection with LVDS Clock Driver (Reference Only)

Figure 45 shows the SerDes reference clock connection reference circuits for LVPECL type clock driver. Since LVPECL driver's DC levels (both common mode voltages and output swing) are incompatible with MPC8315E SerDes reference clock input's DC requirement, AC-coupling has to be used. Figure 45

assumes that the LVPECL clock driver's output impedance is 50Ω . R1 is used to DC-bias the LVPECL outputs prior to AC-coupling. Its value could be ranged from 140Ω to 240Ω depending on clock driver vendor's requirement. R2 is used together with the SerDes reference clock receiver's 50Ω termination resistor to attenuate the LVPECL output's differential peak level such that it meets the MPC8315E SerDes reference clock's differential input amplitude requirement (between 200mV and 800mV differential peak). For example, if the LVPECL output's differential peak is 900mV and the desired SerDes reference clock input amplitude is selected as 600mV , the attenuation factor is 0.67 , which requires $R2 = 25\Omega$. Please consult clock driver chip manufacturer to verify whether this connection scheme is compatible with a particular clock driver chip.

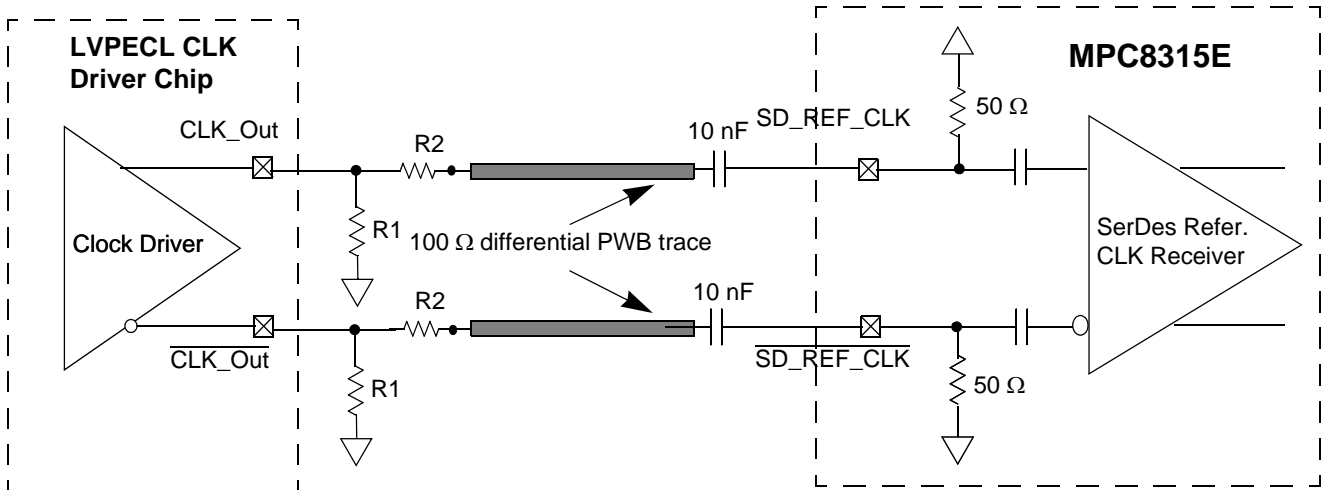


Figure 45. AC-Coupled Differential Connection with LVPECL Clock Driver (Reference Only)

This figure shows the SerDes reference clock connection reference circuits for a single-ended clock driver. It assumes the DC levels of the clock driver are compatible with MPC8315E SerDes reference clock input's DC requirement.

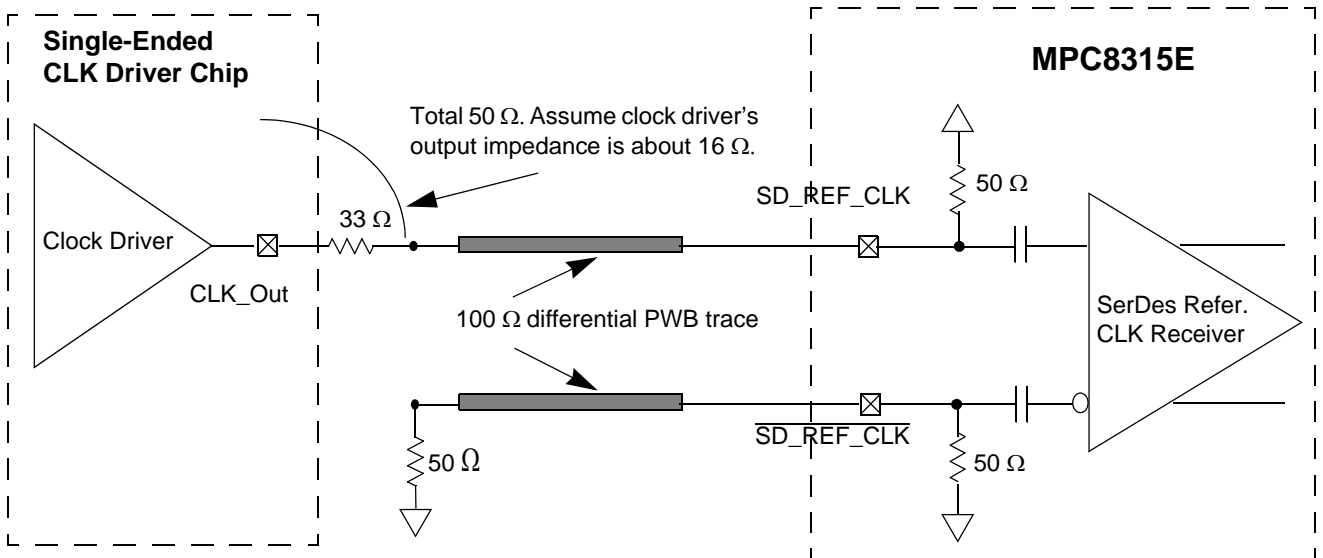


Figure 46. Single-Ended Connection (Reference Only)

15.2.4 AC Requirements for SerDes Reference Clocks

The clock driver selected should provide a high quality reference clock with low phase noise and cycle-to-cycle jitter. Phase noise less than 100KHz can be tracked by the PLL and data recovery loops and is less of a problem. Phase noise above 15MHz is filtered by the PLL. The most problematic phase noise occurs in the 1-15MHz range. The source impedance of the clock driver should be 50 Ω to match the transmission line and reduce reflections which are a source of noise to the system.

This table describes some AC parameters common to SGMII and PCI Express protocols.

Table 52. SerDes Reference Clock Common AC Parameters

At recommended operating conditions with XCOREVDD= 1.0V \pm 5%

| Parameter | Symbol | Min | Max | Unit | Note |
|--|--------------------|------|------|------|------|
| Rising Edge Rate | Rise Edge Rate | 1.0 | 4.0 | V/ns | 2, 3 |
| Falling Edge Rate | Fall Edge Rate | 1.0 | 4.0 | V/ns | 2, 3 |
| Differential Input High Voltage | V_{IH} | +200 | — | mV | 2 |
| Differential Input Low Voltage | V_{IL} | — | -200 | mV | 2 |
| Rising edge rate (SDn_REF_CLK) to falling edge rate (SDn_REF_CLK) matching | Rise-Fall Matching | — | 20 | % | 1, 4 |

Note:

1. Measurement taken from single ended waveform.
2. Measurement taken from differential waveform.
3. Measured from -200 mV to +200 mV on the differential waveform (derived from SDn_REF_CLK minus $\overline{\text{SDn_REF_CLK}}$). The signal must be monotonic through the measurement region for rise and fall time. The 400 mV measurement window is centered on the differential zero crossing. See [Figure 47](#).
4. Matching applies to rising edge rate for SDn_REF_CLK and falling edge rate for $\overline{\text{SDn_REF_CLK}}$. It is measured using a 200 mV window centered on the median cross point where SDn_REF_CLK rising meets $\overline{\text{SDn_REF_CLK}}$ falling. The median cross point is used to calculate the voltage thresholds the oscilloscope is to use for the edge rate calculations. The Rise Edge Rate of SDn_REF_CLK should be compared to the Fall Edge Rate of $\overline{\text{SDn_REF_CLK}}$, the maximum allowed difference should not exceed 20% of the slowest edge rate. See [Figure 48](#).

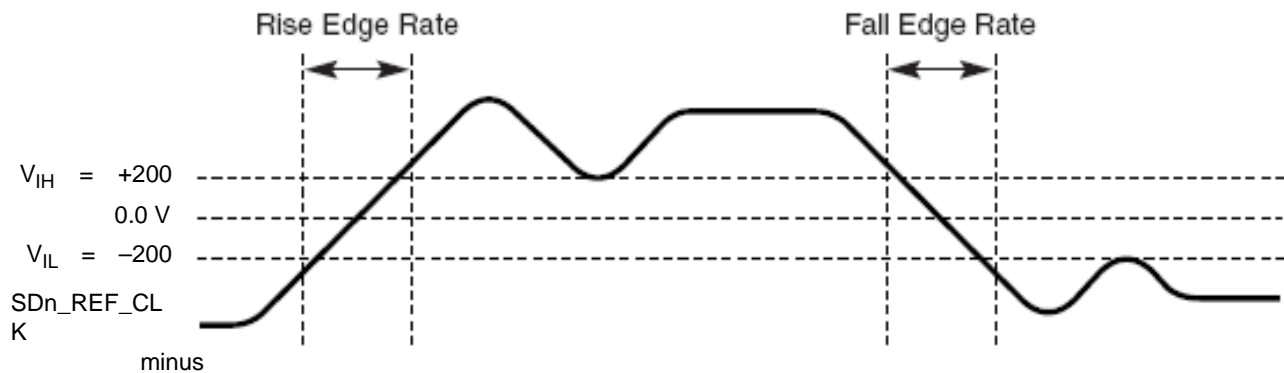


Figure 47. Differential Measurement Points for Rise and Fall Time

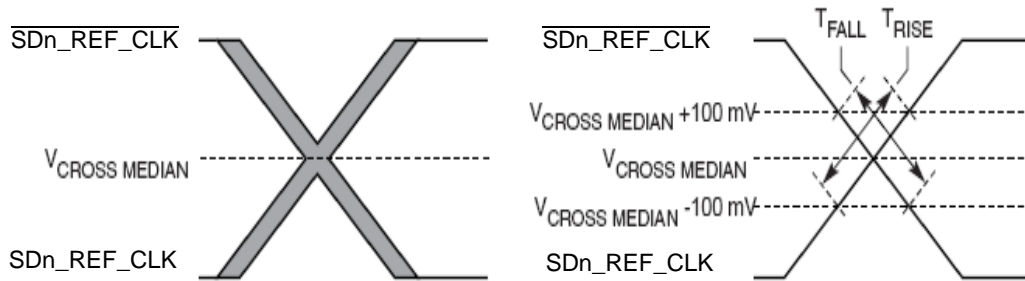


Figure 48. Single-Ended Measurement Points for Rise and Fall Time Matching

The other detailed AC requirements of the SerDes Reference Clocks is defined by each interface protocol based on application usage. Refer to the following sections for detailed information:

- [Section 9.5.2, “AC Requirements for SGMII SD_REF_CLK and SD_REF_CLK”](#)
- [Section 16.2, “AC Requirements for PCI Express SerDes Clocks”](#)

15.2.4.1 Spread Spectrum Clock

SD_REF_CLK/ $\overline{\text{SD_REF_CLK}}$ are not intended to be used with, and should not be clocked by, a spread spectrum clock source.

15.3 SerDes Transmitter and Receiver Reference Circuits

This figure shows the reference circuits for SerDes data lane’s transmitter and receiver.

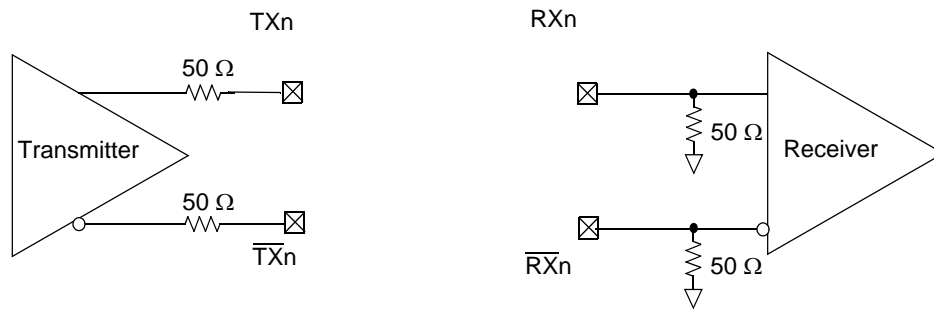


Figure 49. SerDes Transmitter and Receiver Reference Circuits

The DC and AC specification of SerDes data lanes are defined in each interface protocol section below (PCI Express or SGMII) in this document based on the application usage:

- [Section 9.5, “SGMII Interface Electrical Characteristics”](#)
- [Section 16, “PCI Express”](#)

Note that external AC Coupling capacitor is required for the above two serial transmission protocols with the capacitor value defined in specification of each protocol section.

16 PCI Express

This section describes the DC and AC electrical specifications for the PCI Express bus of the MPC8315E.

16.1 DC Requirements for PCI Express SD_REF_CLK and SD_REF_CLK

For more information, see [Section 15.2, “SerDes Reference Clocks.”](#)

16.2 AC Requirements for PCI Express SerDes Clocks

This table lists the PCI Express SerDes clock AC requirements.

Table 53. SD_REF_CLK and SD_REF_CLK AC Requirements

| Symbol | Parameter Description | Min | Typ | Max | Unit | Note |
|-------------|---|-----|-----|-----|------|------|
| t_{REF} | REFCLK cycle time | — | 10 | — | ns | — |
| t_{REFCJ} | REFCLK cycle-to-cycle jitter. Difference in the period of any two adjacent REFCLK cycles. | — | — | 100 | ps | — |
| t_{REFPJ} | Phase jitter. Deviation in edge location with respect to mean edge location. | −50 | — | 50 | ps | — |

16.3 Clocking Dependencies

The ports on the two ends of a link must transmit data at a rate that is within 600 parts per million (ppm) of each other at all times. This is specified to allow bit rate clock sources with a ± 300 ppm tolerance.

16.4 Physical Layer Specifications

Following is a summary of the specifications for the physical layer of PCI Express on this device. For further details as well as the specifications of the transport and data link layer please use the *PCI Express Base Specification*, Rev. 1.0a.

16.4.1 Differential Transmitter (TX) Output

This table defines the specifications for the differential output at all transmitters (TXs). The parameters are specified at the component pins.

Table 54. Differential Transmitter (TX) Output Specifications

| Parameter | Symbol | Comments | Min | Typical | Max | Unit | Note |
|--|------------------|---|--------|---------|--------|------|------|
| Unit interval | UI | Each UI is 400 ps \pm 300 ppm. UI does not account for Spread Spectrum Clock dictated variations. | 399.88 | 400 | 400.12 | ps | 1 |
| Differential peak-to-peak output voltage | $V_{TX-DIFFp-p}$ | $V_{TX-DIFFp-p} = 2 * V_{TX-D+} - V_{TX-D-} $ | 0.8 | — | 1.2 | V | 2 |

Table 54. Differential Transmitter (TX) Output Specifications (continued)

| Parameter | Symbol | Comments | Min | Typical | Max | Unit | Note |
|--|-----------------------------------|---|-------|---------|------|------|------|
| De-Emphasized differential output voltage (ratio) | $V_{TX-DE-RATIO}$ | Ratio of the $V_{TX-DIFFp-p}$ of the second and following bits after a transition divided by the $V_{TX-DIFFp-p}$ of the first bit after a transition. | -3.0 | -3.5 | -4.0 | dB | 2 |
| Minimum TX eye width | T_{TX-EYE} | The maximum Transmitter jitter can be derived as $T_{TX-MAX-JITTER} = 1 - U_{TX-EYE} = 0.3 UI$. | 0.70 | — | — | UI | 2, 3 |
| Maximum time between the jitter median and maximum deviation from the median | $T_{TX-EYE-MEDIAN-to-MAX-JITTER}$ | Jitter is defined as the measurement variation of the crossing points ($V_{TX-DIFFp-p} = 0 V$) in relation to a recovered TX UI. A recovered TX UI is calculated over 3500 consecutive unit intervals of sample data. Jitter is measured using all edges of the 250 consecutive UI in the center of the 3500 UI used for calculating the TX UI. | — | — | 0.15 | UI | 2, 3 |
| D+/D- TX output rise/fall time | $T_{TX-RISE}, T_{TX-FALL}$ | — | 0.125 | — | — | UI | 2, 5 |
| RMS AC peak common mode output voltage | $V_{TX-CM-ACp}$ | $V_{TX-CM-ACp} = \text{RMS}(V_{TXD+} + V_{TXD-} /2 - V_{TX-CM-DC})$ $V_{TX-CM-DC} = DC_{(avg)} \text{ of } V_{TX-D+} + V_{TX-D-} /2$ | — | — | 20 | mV | 2 |
| Absolute delta of DC common mode voltage during L0 and electrical idle | $V_{TX-CM-DC- ACTIVE-IDLE-DELTA}$ | $ V_{TX-CM-DC} \text{ (during L0)} - V_{TX-CM-Idle-DC} \text{ (During Electrical Idle)} \leq 100 \text{ mV}$ $V_{TX-CM-DC} = DC_{(avg)} \text{ of } V_{TX-D+} + V_{TX-D-} /2 [L0]$ $V_{TX-CM-Idle-DC} = DC_{(avg)} \text{ of } V_{TX-D+} + V_{TX-D-} /2 \text{ [Electrical Idle]}$ | 0 | — | 100 | mV | 2 |
| Absolute delta of DC common mode between D+ and D- | $V_{TX-CM-DC-LINE-DELTA}$ | $ V_{TX-CM-DC-D+} - V_{TX-CM-DC-D-} \leq 25 \text{ mV}$ $V_{TX-CM-DC-D+} = DC_{(avg)} \text{ of } V_{TX-D+} $ $V_{TX-CM-DC-D-} = DC_{(avg)} \text{ of } V_{TX-D-} $ | 0 | — | 25 | mV | 2 |
| Electrical idle differential peak output voltage | $V_{TX-IDLE-DIFFp}$ | $V_{TX-IDLE-DIFFp} = V_{TX-IDLE-D+} - V_{TX-IDLE-D-} \leq 20 \text{ mV}$ | 0 | — | 20 | mV | 2 |
| Amount of voltage change allowed during receiver detection | $V_{TX-RCV-DETECT}$ | The total amount of voltage change that a transmitter can apply to sense whether a low impedance Receiver is present. | — | — | 600 | mV | 6 |
| TX DC common mode voltage | $V_{TX-DC-CM}$ | The allowed DC Common Mode voltage under any conditions. | — | — | 3.6 | V | 6 |
| TX short circuit current limit | $I_{TX-SHORT}$ | The total current the Transmitter can provide when shorted to its ground | — | — | 90 | mA | — |
| Minimum time spent in electrical idle | $T_{TX-IDLE-MIN}$ | Minimum time a Transmitter must be in Electrical Idle Utilized by the Receiver to start looking for an Electrical Idle Exit after successfully receiving an Electrical Idle ordered set | 50 | — | — | UI | — |

Table 54. Differential Transmitter (TX) Output Specifications (continued)

| Parameter | Symbol | Comments | Min | Typical | Max | Unit | Note |
|--|----------------------------|--|-----|---------|------------|----------|------|
| Maximum time to transition to a valid electrical idle after sending an electrical idle ordered set | $T_{TX-IDLE-SET-TO-IDLE}$ | After sending an Electrical Idle ordered set, the Transmitter must meet all Electrical Idle Specifications within this time. This is considered a debounce time for the Transmitter to meet Electrical Idle after transitioning from L0. | — | — | 20 | UI | — |
| Maximum time to transition to valid TX specifications after leaving an electrical idle condition | $T_{TX-IDLE-TO-DIFF-DATA}$ | Maximum time to meet all TX specifications when transitioning from Electrical Idle to sending differential data. This is considered a debounce time for the TX to meet all TX specifications after leaving Electrical Idle | — | — | 20 | UI | — |
| Differential return loss | $RL_{TX-DIFF}$ | Measured over 50 MHz to 1.25 GHz. | 12 | — | — | dB | 4 |
| Common mode return loss | RL_{TX-CM} | Measured over 50 MHz to 1.25 GHz. | 6 | — | — | dB | 4 |
| DC differential TX impedance | $Z_{TX-DIFF-DC}$ | TX DC Differential mode Low Impedance | 80 | 100 | 120 | Ω | — |
| Transmitter DC impedance | Z_{TX-DC} | Required TX D+ as well as D- DC Impedance during all states | 40 | — | — | Ω | — |
| Lane-to-Lane output skew | $L_{TX-SKEW}$ | Static skew between any two Transmitter Lanes within a single Link | — | — | 500 + 2 UI | ps | — |
| AC coupling capacitor | C_{TX} | All Transmitters shall be AC coupled. The AC coupling is required either within the media or within the transmitting component itself. | 75 | — | 200 | nF | 8 |
| Crosslink random timeout | $T_{crosslink}$ | This random timeout helps resolve conflicts in crosslink configuration by eventually resulting in only one Downstream and one Upstream Port. | 0 | — | 1 | ms | 7 |

Note:

1. No test load is necessarily associated with this value.
2. Specified at the measurement point into a timing and voltage compliance test load as shown in [Figure 52](#) and measured over any 250 consecutive TX UIs. (Also refer to the transmitter compliance eye diagram shown in [Figure 50](#).)
3. A $T_{TX-EYE} = 0.70$ UI provides for a total sum of deterministic and random jitter budget of $T_{TX-JITTER-MAX} = 0.30$ UI for the transmitter collected over any 250 consecutive TX UIs. The $T_{TX-EYE-MEDIAN-to-MAX-JITTER}$ median is less than half of the total TX jitter budget collected over any 250 consecutive TX UIs. It should be noted that the median is not the same as the mean. The jitter median describes the point in time where the number of jitter points on either side is approximately equal as opposed to the averaged time value.
4. The transmitter input impedance shall result in a differential return loss greater than or equal to 12 dB and a common mode return loss greater than or equal to 6 dB over a frequency range of 50 MHz to 1.25 GHz. This input impedance requirement applies to all valid input levels. The reference impedance for return loss measurements is 50 Ω to ground for both the D+ and D- line (that is, as measured by a vector network analyzer with 50- Ω probes, see [Figure 52](#)). Note that the series capacitors, C_{TX} , is optional for the return loss measurement.
5. Measured between 20%–80% at transmitter package pins into a test load as shown in [Figure 52](#) for both V_{TX-D+} and V_{TX-D-} .
6. See Section 4.3.1.8 of the *PCI Express Base Specifications, Rev 1.0a*.
7. See Section 4.2.6.3 of the *PCI Express Base Specifications, Rev 1.0a*.
8. MPC8315E SerDes transmitter does not have C_{TX} built-in. An external AC Coupling capacitor is required

16.4.2 Transmitter Compliance Eye Diagrams

The TX eye diagram in Figure 50 is specified using the passive compliance/test measurement load (see Figure 52) in place of any real PCI Express interconnect + RX component. There are two eye diagrams that must be met for the transmitter. Both diagrams must be aligned in time using the jitter median to locate the center of the eye diagram. The different eye diagrams differ in voltage depending on whether it is a transition bit or a de-emphasized bit. The exact reduced voltage level of the de-emphasized bit is always relative to the transition bit.

The eye diagram must be valid for any 250 consecutive UIs.

A recovered TX UI is calculated over 3500 consecutive unit intervals of sample data. The eye diagram is created using all edges of the 250 consecutive UI in the center of the 3500 UI used for calculating the TX UI.

NOTE

It is recommended that the recovered TX UI be calculated using all edges in the 3500 consecutive UI interval with a fit algorithm using a minimization merit function (that is, least squares and median deviation fits).

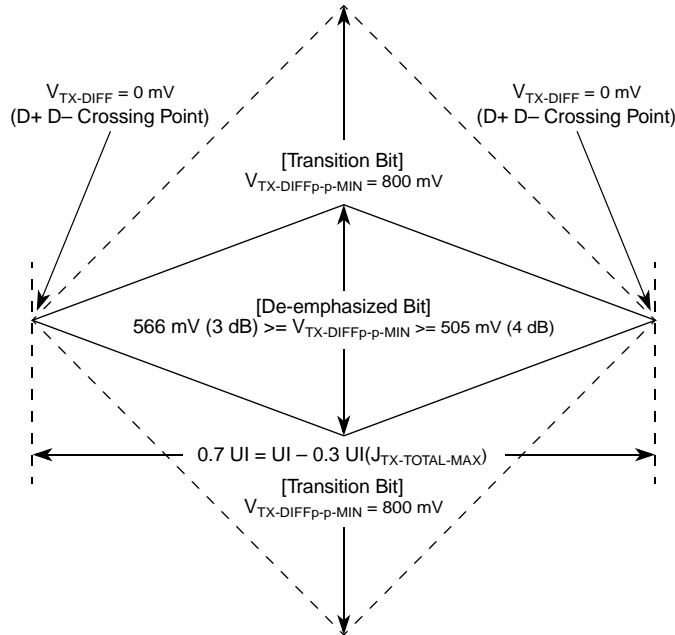


Figure 50. Minimum Transmitter Timing and Voltage Output Compliance Specifications

16.4.3 Differential Receiver (RX) Input Specifications

This table defines the specifications for the differential input at all receivers (RXs). The parameters are specified at the component pins.

Table 55. Differential Receiver (RX) Input Specifications

| Parameter | Symbol | Comments | Min | Typical | Max | Unit | Note |
|---|-----------------------------------|--|--------|---------|--------|----------|---------|
| Unit interval | UI | Each UI is 400 ps \pm 300 ppm. UI does not account for Spread Spectrum Clock dictated variations. | 399.88 | 400 | 400.12 | ps | 1 |
| Differential peak-to-peak output voltage | $V_{RX-DIFFp-p}$ | $V_{RX-DIFFp-p} = 2 * V_{RX-D+} - V_{RX-D-} $ | 0.175 | — | 1.200 | V | 2 |
| Minimum receiver eye width | T_{RX-EYE} | The maximum interconnect media and Transmitter jitter that can be tolerated by the Receiver can be derived as $T_{RX-MAX-JITTER} = 1 - U_{RX-EYE} = 0.6$ UI. | 0.4 | — | — | UI | 2, 3 |
| Maximum time between the jitter median and maximum deviation from the median. | $T_{RX-EYE-MEDIAN-to-MAX-JITTER}$ | Jitter is defined as the measurement variation of the crossing points ($V_{RX-DIFFp-p} = 0$ V) in relation to a recovered TX UI. A recovered TX UI is calculated over 3500 consecutive unit intervals of sample data. Jitter is measured using all edges of the 250 consecutive UI in the center of the 3500 UI used for calculating the TX UI. | — | — | 0.3 | UI | 2, 3, 7 |
| AC peak common mode input voltage | $V_{RX-CM-ACp}$ | $V_{RX-CM-ACp} = V_{RXD+} + V_{RXD-} /2 - V_{RX-CM-DC}$ $V_{RX-CM-DC} = DC_{(avg)}$ of $ V_{RX-D+} + V_{RX-D-} /2$ | — | — | 150 | mV | 2 |
| Differential return loss | $RL_{RX-DIFF}$ | Measured over 50 MHz to 1.25 GHz with the D+ and D- lines biased at +300 mV and -300 mV, respectively. | 15 | — | — | dB | 4 |
| Common mode return loss | RL_{RX-CM} | Measured over 50 MHz to 1.25 GHz with the D+ and D- lines biased at 0 V. | 6 | — | — | dB | 4 |
| DC differential input impedance | $Z_{RX-DIFF-DC}$ | RX DC differential mode impedance. | 80 | 100 | 120 | Ω | 5 |
| DC Input Impedance | Z_{RX-DC} | Required RX D+ as well as D- DC Impedance (50 \pm 20% tolerance). | 40 | 50 | 60 | Ω | 2, 5 |

Table 55. Differential Receiver (RX) Input Specifications (continued)

| Parameter | Symbol | Comments | Min | Typical | Max | Unit | Note |
|--|----------------------------------|---|-------|---------|-----|----------|------|
| Powered down DC input impedance | $Z_{RX-HIGH-IMP-DC}$ | Required RX D+ as well as D- DC Impedance when the Receiver terminations do not have power. | 200 k | — | — | Ω | 6 |
| Electrical idle detect threshold | $V_{RX-IDLE-DET-DIFFp-p}$ | $V_{PEEIDT} = 2 * V_{RX-D+} - V_{RX-D-} $ Measured at the package pins of the Receiver | 65 | — | 175 | mV | — |
| Unexpected Electrical Idle Enter Detect Threshold Integration Time | $T_{RX-IDLE-DET-DIFF-ENTERTIME}$ | An unexpected Electrical Idle ($V_{rx-diffp-p} < V_{rx-idle-det-diffp-p}$) must be recognized no longer than $T_{rx-idle-det-diff-entertime}$ to signal an unexpected idle condition. | — | — | 10 | ms | — |
| Total Skew | $L_{RX-SKEW}$ | Skew across all lanes on a Link. This includes variation in the length of SKP ordered set (e.g. COM and one to five SKP Symbols) at the RX as well as any delay differences arising from the interconnect itself. | — | — | 20 | ns | — |

Note:

- No test load is necessarily associated with this value.
- Specified at the measurement point and measured over any 250 consecutive UIs. The test load in [Figure 52](#) should be used as the RX device when taking measurements (also refer to the receiver compliance eye diagram shown in [Figure 51](#)). If the clocks to the RX and TX are not derived from the same reference clock, the TX UI recovered from 3500 consecutive UI must be used as a reference for the eye diagram.
- A $T_{RX-EYE} = 0.40$ UI provides for a total sum of 0.60 UI deterministic and random jitter budget for the transmitter and interconnect collected any 250 consecutive UIs. The $T_{RX-EYE-MEDIAN-to-MAX-JITTER}$ specification ensures a jitter distribution in which the median and the maximum deviation from the median is less than half of the total. UI jitter budget collected over any 250 consecutive TX UIs. It should be noted that the median is not the same as the mean. The jitter median describes the point in time where the number of jitter points on either side is approximately equal as opposed to the averaged time value. If the clocks to the RX and TX are not derived from the same reference clock, the TX UI recovered from 3500 consecutive UI must be used as the reference for the eye diagram.
- The receiver input impedance shall result in a differential return loss greater than or equal to 15 dB with the D+ line biased to 300 mV and the D- line biased to -300 mV and a common mode return loss greater than or equal to 6 dB (no bias required) over a frequency range of 50 MHz to 1.25 GHz. This input impedance requirement applies to all valid input levels. The reference impedance for return loss measurements for is 50Ω to ground for both the D+ and D- line (that is, as measured by a vector network analyzer with $50-\Omega$ probes, see [Figure 52](#)). Note that the series capacitors, C_{TX} , is optional for the return loss measurement.
- Impedance during all LTSSM states. When transitioning from a fundamental reset to detect (the initial state of the LTSSM) there is a 5 ms transition time before receiver termination values must be met on all unconfigured lanes of a port.
- The RX DC common mode impedance that exists when no power is present or fundamental reset is asserted. This helps ensure that the receiver detect circuit does not falsely assume a receiver is powered on when it is not. This term must be measured at 300 mV above the RX ground.
- It is recommended that the recovered TX UI is calculated using all edges in the 3500 consecutive UI interval with a fit algorithm using a minimization merit function. Least squares and median deviation fits have worked well with experimental and simulated data.

16.5 Receiver Compliance Eye Diagrams

The RX eye diagram in [Figure 51](#) is specified using the passive compliance/test measurement load (see [Figure 52](#)) in place of any real PCI Express RX component. In general, the minimum receiver eye diagram measured with the compliance/test measurement load (see [Figure 52](#)) is larger than the minimum receiver eye diagram measured over a range of systems at the input receiver of any real PCI Express component. The degraded eye diagram at the input Receiver is due to traces internal to the package as well as silicon parasitic characteristics which cause the real PCI Express component to vary in impedance from the compliance/test measurement load. The input receiver eye diagram is implementation specific and is not specified. RX component designer should provide additional margin to adequately compensate for the degraded minimum Receiver eye diagram (shown in [Figure 51](#)) expected at the input receiver based on an adequate combination of system simulations and the return loss measured looking into the RX package and silicon. The RX eye diagram must be aligned in time using the jitter median to locate the center of the eye diagram.

The eye diagram must be valid for any 250 consecutive UIs.

A recovered TX UI is calculated over 3500 consecutive unit intervals of sample data. The eye diagram is created using all edges of the 250 consecutive UI in the center of the 3500 UI used for calculating the TX UI.

NOTE

The reference impedance for return loss measurements is 50 Ω to ground for both the D+ and D- line (that is, as measured by a Vector Network Analyzer with 50 Ω probes—see [Figure 52](#)). Note that the series capacitors, $C_{PEACCTX}$, are optional for the return loss measurement.

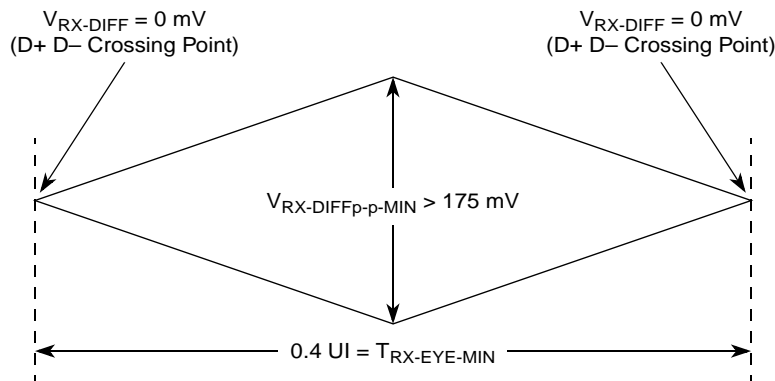


Figure 51. Minimum Receiver Eye Timing and Voltage Compliance Specification

16.5.1 Compliance Test and Measurement Load

The AC timing and voltage parameters must be verified at the measurement point, as specified within 0.2 inches of the package pins, into a test/measurement load shown in [Figure 52](#).

NOTE

The allowance of the measurement point to be within 0.2 inches of the package pins is meant to acknowledge that package/board routing may benefit from D+ and D- not being exactly matched in length at the package pin boundary.

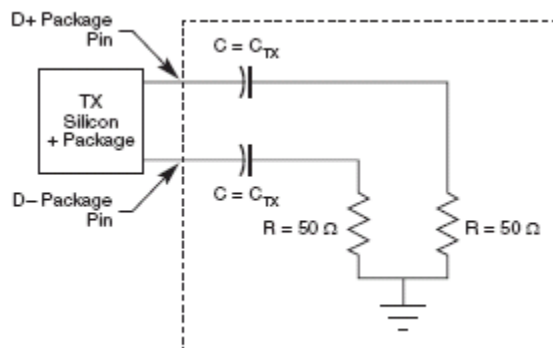


Figure 52. Compliance Test/Measurement Load

17 Serial ATA (SATA)

The serial ATA (SATA) of the MPC8315E is designed to comply with Serial ATA 2.5 Specification. Note that the external cabled applications or long backplane applications (Gen1x & Gen2x) are not supported.

17.1 Requirements for SATA REF_CLK

The reference clock for MPC8315E is a single ended input clock required for the SATA Interface operation. The AC requirements for the SATA reference clock are listed in the this table.

Table 56. Reference Clock Input Requirements

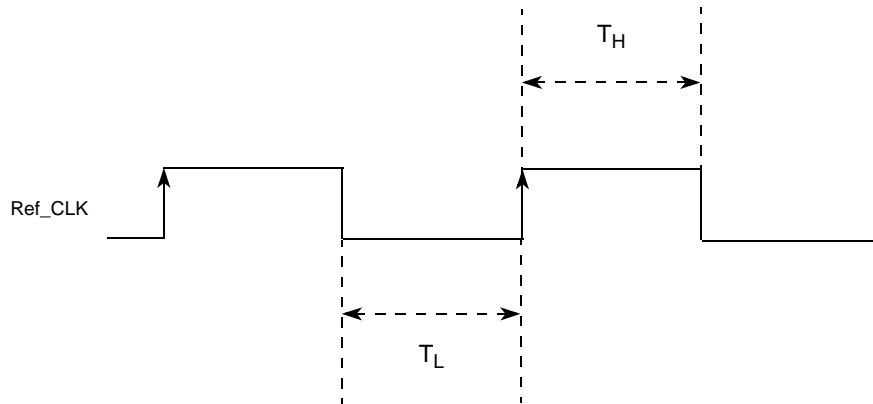
| Parameter | Symbol | Conditions | Min | Typical | Max | Unit | Note |
|------------------------------------|-------------------------------|---------------------------------|------|---------|------|------|------|
| Frequency range | t_{CLK_REF} | — | 50 | 75 | 150 | MHz | 1 |
| Clock frequency tolerance | t_{CLK_TOL} | — | -350 | 0 | +350 | ppm | — |
| Input High Voltage | V_{CLK_INHl} | — | 2.0 | — | — | V | — |
| Input Low Voltage | V_{CLK_INLo} | — | — | — | 0.7 | V | — |
| Reference clock rise and fall time | $t_{CLK_RISE}/t_{CLK_FALL}$ | 20% to 80% of nominal amplitude | — | — | 2 | ns | — |
| Reference clock duty cycle | t_{CLK_DUTY} | Measured at 1.6V | 40 | 50 | 60 | % | — |

Table 56. Reference Clock Input Requirements (continued)

| Parameter | Symbol | Conditions | Min | Typical | Max | Unit | Note |
|--|----------------------|-------------------------------------|-----|---------|-----|------|------|
| Total reference clock jitter, phase noise integration from 100 Hz to 3 MHz | $t_{\text{CLK_PJ}}$ | peak to peak jitter at refClk input | — | — | 100 | ps | — |

Note:

- Only 50/75/100/125/150 MHz have been tested, other in between values will not work correctly with the rest of the system.


Figure 53. Reference Clock Timing Waveform

17.2 SATA AC Electrical Characteristics

This table provides the general AC parameters for the SATA interface.

Table 57. SATA AC Electrical Characteristics

| Parameter | Symbol | Min | Typical | Max | Units | Note |
|-------------------------------|------------------------|-----|----------------------|-----|-------|------|
| Channel Speed 1.5G 3.0G | $t_{\text{CH_SPEED}}$ | — | 1.5 3.0 | — | Gbps | — |
| Unit Interval 1.5G 3.0G | T_{UI} | — | 666.4333 333.3333 | — | ps | — |

17.3 Out-of-Band (OOB) Electrical Characteristics

This table provides the out-of-band (OOB) electrical characteristics for the SATA interface of the MPC8315.

Table 59. Out-of-Band (OOB) Electrical Characteristics

| Parameter | Symbol | Min | Typical | Max | Units | Note |
|--|--------------------------------|----------|------------|------------|-------|------|
| OOB Signal Detection Threshold 1.5G 3.0G | $V_{SATA_OOBDETE}$ | 50 75 | 100 125 | 200 200 | mVp-p | — |
| UI During OOB Signaling | T_{SATA_UIOOB} | — | 666.67 | — | ps | — |
| COMINIT/ COMRESET and COMWAKE Transmit Burst Length | $T_{SATA_UIOOBTXB}$ | — | 160 | — | UI | — |
| COMINIT/ COMRESET Transmit Gap Length | $T_{SATA_UIOOBTXGap}$ | — | 480 | — | UI | — |
| COMWAKE Transmit Gap Length | $T_{SATA_UIOOBTX}$ WakeGap | — | 160 | — | UI | — |

18 Timers

This section describes the DC and AC electrical specifications for the timers of the MPC8315E.

18.1 Timers DC Electrical Characteristics

This table provides the DC electrical characteristics for the timers pins, including TIN , \overline{TOUT} , \overline{TGATE} , and RTC_CLK .

Table 60. Timers DC Electrical Characteristics

| Characteristic | Symbol | Condition | Min | Max | Unit |
|---------------------|----------|-------------------------------------|------|--------------|---------------|
| Output high voltage | V_{OH} | $I_{OH} = -8.0 \text{ mA}$ | 2.4 | — | V |
| Output low voltage | V_{OL} | $I_{OL} = 8.0 \text{ mA}$ | — | 0.5 | V |
| Output low voltage | V_{OL} | $I_{OL} = 3.2 \text{ mA}$ | — | 0.4 | V |
| Input high voltage | V_{IH} | — | 2.1 | $NVDD + 0.3$ | V |
| Input low voltage | V_{IL} | — | -0.3 | 0.8 | V |
| Input current | I_{IN} | $0 \text{ V} \leq V_{IN} \leq NVDD$ | — | ± 5 | μA |

18.2 Timers AC Timing Specifications

This table provides the timers input and output AC timing specifications.

Table 61. Timers Input AC Timing Specifications

| Characteristic | Symbol ¹ | Min | Unit |
|-----------------------------------|---------------------|-----|------|
| Timers inputs—minimum pulse width | t_{TIWID} | 20 | ns |

Table 61. Timers Input AC Timing Specifications

| Characteristic | Symbol ¹ | Min | Unit |
|----------------|---------------------|-----|------|
|----------------|---------------------|-----|------|

Note:

- Timers inputs and outputs are asynchronous to any visible clock. Timers outputs should be synchronized before use by any external synchronous logic. Timers input are required to be valid for at least t_{PIWID} ns to ensure proper operation.

This figure provides the AC test load for the Timers.

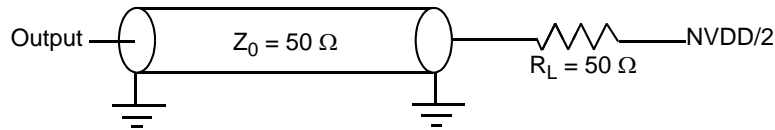


Figure 54. Timers AC Test Load

19 GPIO

This section describes the DC and AC electrical specifications for the GPIO of the MPC8315E.

19.1 GPIO DC Electrical Characteristics

This table provides the DC electrical characteristics for the GPIO.

Table 62. GPIO DC Electrical Characteristics

| Characteristic | Symbol | Condition | Min | Max | Unit |
|---------------------|----------|------------------------------------|------|--------------|---------------|
| Output high voltage | V_{OH} | $I_{OH} = -8.0$ mA | 2.4 | — | V |
| Output low voltage | V_{OL} | $I_{OL} = 8.0$ mA | — | 0.5 | V |
| Output low voltage | V_{OL} | $I_{OL} = 3.2$ mA | — | 0.4 | V |
| Input high voltage | V_{IH} | — | 2.1 | $NVDD + 0.3$ | V |
| Input low voltage | V_{IL} | — | -0.3 | 0.8 | V |
| Input current | I_{IN} | $0\text{ V} \leq V_{IN} \leq NVDD$ | — | ± 5 | μA |

19.2 GPIO AC Timing Specifications

This table provides the GPIO input and output AC timing specifications.

Table 63. GPIO Input AC Timing Specifications

| Characteristic | Symbol ¹ | Min | Unit |
|---------------------------------|---------------------|-----|------|
| GPIO inputs—minimum pulse width | t_{PIWID} | 20 | ns |

Note:

- GPIO inputs and outputs are asynchronous to any visible clock. GPIO outputs should be synchronized before use by any external synchronous logic. GPIO inputs are required to be valid for at least t_{PIWID} ns to ensure proper operation.

This figure provides the AC test load for the GPIO.

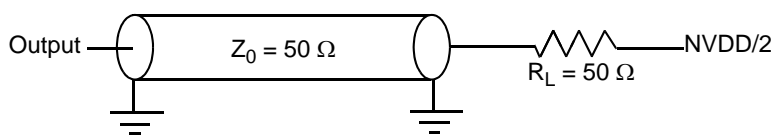


Figure 55. GPIO AC Test Load

20 IPIC

This section describes the DC and AC electrical specifications for the external interrupt pins of the MPC8315E.

20.1 IPIC DC Electrical Characteristics

This table provides the DC electrical characteristics for the external interrupt pins.

Table 64. IPIC DC Electrical Characteristics

| Characteristic | Symbol | Condition | Min | Max | Unit |
|---------------------|----------|--------------------|------|------------|------|
| Input high voltage | V_{IH} | — | 2.1 | NVDD + 0.3 | V |
| Input low voltage | V_{IL} | — | -0.3 | 0.8 | V |
| Input current | I_{IN} | — | — | ±5 | μA |
| Output high voltage | V_{OH} | $I_{OH} = -8.0$ mA | 2.4 | — | V |
| Output low voltage | V_{OL} | $I_{OL} = 8.0$ mA | — | 0.5 | V |
| Output low voltage | V_{OL} | $I_{OL} = 3.2$ mA | — | 0.4 | V |

20.2 IPIC AC Timing Specifications

This table provides the IPIC input and output AC timing specifications.

Table 65. IPIC Input AC Timing Specifications

| Characteristic | Symbol ¹ | Min | Unit |
|---------------------------------|---------------------|-----|------|
| IPIC inputs—minimum pulse width | t_{PIWID} | 20 | ns |

Note:

1. IPIC inputs and outputs are asynchronous to any visible clock. IPIC outputs should be synchronized before use by any external synchronous logic. IPIC inputs are required to be valid for at least t_{PIWID} ns to ensure proper operation when working in edge triggered mode.

21 SPI

This section describes the DC and AC electrical specifications for the SPI of the MPC8315E.

21.1 SPI DC Electrical Characteristics

This table provides the DC electrical characteristics for the SPI.

Table 66. SPI DC Electrical Characteristics

| Characteristic | Symbol | Condition | Min | Max | Unit |
|---------------------|----------|--------------------|------|------------|------|
| Input high voltage | V_{IH} | — | 2.1 | NVDD + 0.3 | V |
| Input low voltage | V_{IL} | — | -0.3 | 0.8 | V |
| Input current | I_{IN} | — | — | ±5 | μA |
| Output high voltage | V_{OH} | $I_{OH} = -8.0$ mA | 2.4 | — | V |
| Output low voltage | V_{OL} | $I_{OL} = 8.0$ mA | — | 0.5 | V |
| Output low voltage | V_{OL} | $I_{OL} = 3.2$ mA | — | 0.4 | V |

21.2 SPI AC Timing Specifications

This table and provide the SPI input and output AC timing specifications.

Table 67. SPI AC Timing Specifications ¹

| Characteristic | Symbol ² | Min | Max | Unit |
|--|---------------------|-----|-----|------|
| SPI outputs valid—master mode (internal clock) delay | t_{NIKHOV} | — | 6 | ns |
| SPI outputs hold—master mode (internal clock) delay | t_{NIKHOX} | 0.5 | — | ns |
| SPI outputs valid—slave mode (external clock) delay | t_{NEKHOV} | — | 8.5 | ns |
| SPI outputs hold—slave mode (external clock) delay | t_{NEKHOX} | 2 | — | ns |
| SPI inputs—master mode (internal clock) input setup time | t_{NIIVKH} | 6 | — | ns |
| SPI inputs—master mode (internal clock) input hold time | t_{NIIXKH} | 0 | — | ns |
| SPI inputs—slave mode (external clock) input setup time | t_{NEIVKH} | 4 | — | ns |
| SPI inputs—slave mode (external clock) input hold time | t_{NEIXKH} | 2 | — | ns |

Note:

1. Output specifications are measured from the 50% level of the rising edge of SPICLK to the 50% level of the signal. Timings are measured at the pin.
2. The symbols used for timing specifications follow the pattern of $t_{(\text{first two letters of functional block})(\text{signal})(\text{state})(\text{reference})(\text{state})}$ for inputs and $t_{(\text{first two letters of functional block})(\text{reference})(\text{state})(\text{signal})(\text{state})}$ for outputs. For example, t_{NIKHOX} symbolizes the internal timing (NI) for the time SPICLK clock reference (K) goes to the high state (H) until outputs (O) are invalid (X).

This figure provides the AC test load for the SPI.

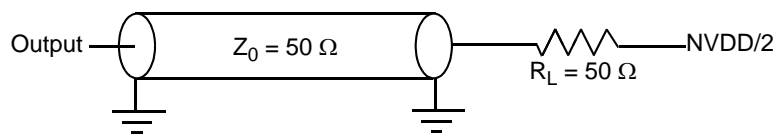
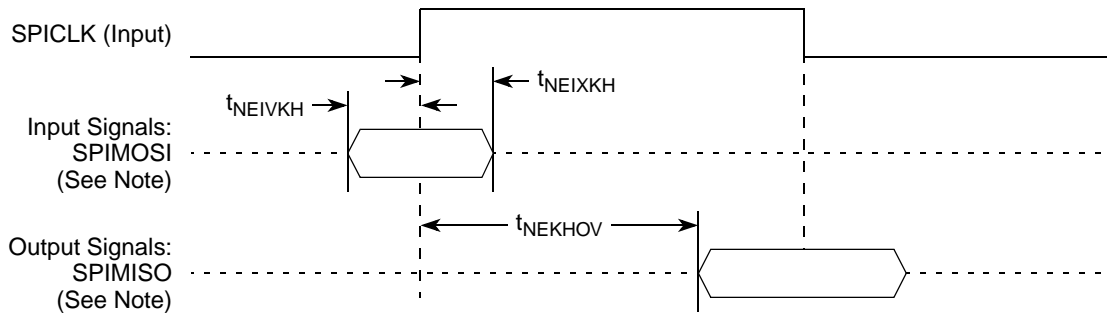


Figure 56. SPI AC Test Load

Figure 57 and Figure 58 represent the AC timing from Table 67. Note that although the specifications generally reference the rising edge of the clock, these AC timing diagrams also apply when the falling edge is the active edge.

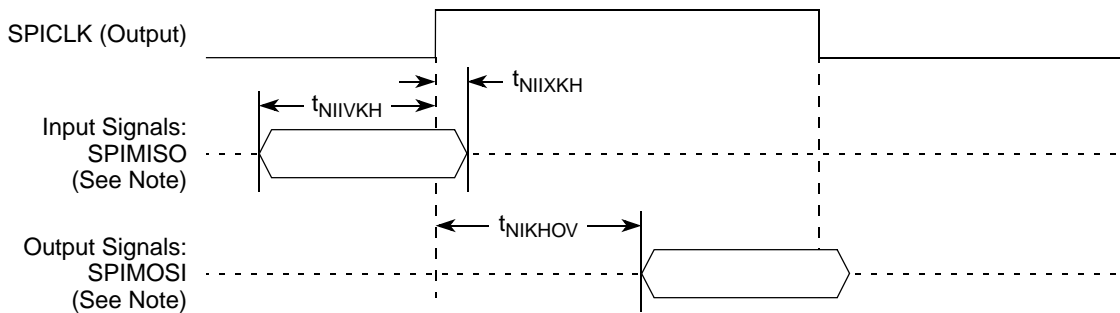
This figure shows the SPI timing in slave mode (external clock).



Note: The clock edge is selectable on SPI.

Figure 57. SPI AC Timing in Slave Mode (External Clock) Diagram

This figure shows the SPI timing in master mode (internal clock).



Note: The clock edge is selectable on SPI.

Figure 58. SPI AC Timing in Master Mode (Internal Clock) Diagram

22 TDM

This section describes the DC and AC electrical specifications for the TDM of the MPC8315E.

22.1 TDM DC Electrical Characteristics

This table provides the DC electrical characteristics TDM.

Table 68. TDM DC Electrical Characteristics

| Characteristic | Symbol | Condition | Min | Max | Unit |
|---------------------|----------|-------------------------------------|------|--------------|---------------|
| Output high voltage | V_{OH} | $I_{OH} = -8.0 \text{ mA}$ | 2.4 | — | V |
| Output low voltage | V_{OL} | $I_{OL} = 8.0 \text{ mA}$ | — | 0.5 | V |
| Output low voltage | V_{OL} | $I_{OL} = 3.2 \text{ mA}$ | — | 0.4 | V |
| Input high voltage | V_{IH} | — | 2.1 | $NVDD + 0.3$ | V |
| Input low voltage | V_{IL} | — | -0.3 | 0.8 | V |
| Input current | I_{IN} | $0 \text{ V} \leq V_{IN} \leq NVDD$ | — | ± 5 | μA |

22.2 TDM AC Electrical Characteristics

This table provides the TDM AC timing specifications.

Table 69. TDM AC Timing specifications

| Parameter/Condition | Symbol | Min | Max | Unit |
|--|-----------------|------|------|------|
| TDMxRCK/TDMxTCK | t_{DM} | 20.0 | — | ns |
| TDMxRCK/TDMxTCK high pulse width | t_{DM_HIGH} | 8.0 | — | ns |
| TDMxRCK/TDMxTCK low pulse width | t_{DM_LOW} | 8.0 | — | ns |
| TDMxRCK/TDMxTCK rise time (20% to 80%) | t_{DMKH} | 1.0 | 4.0 | ns |
| TDMxRCK/TDMxTCK fall time (80% to 20%) | t_{DMKL} | 1.0 | 4.0 | ns |
| TDM all input setup time | t_{DMIVKH} | 3.0 | — | ns |
| TDMxRD hold time | $t_{DMRDIXKH}$ | 3.5 | — | ns |
| TDMxTFS/TDMxRFS input hold time | $t_{DMFSIXKH}$ | 2.0 | — | ns |
| TDMxTCK High to TDMxTD output active | t_{DM_OUTAC} | 4.0 | — | ns |
| TDMxTCK High to TDMxTD output valid | $t_{DMTKHOV}$ | — | 14.0 | ns |
| TDMxTD hold time | $t_{DMTKHOX}$ | 2.0 | — | ns |
| TDMxTCK High to TDMxTD output high impedance | t_{DM_OUTH} | — | 10.0 | ns |
| TDMxTFS/TDMxRFS output valid | $t_{DMFSKHOV}$ | — | 13.5 | ns |
| TDMxTFS/TDMxRFS output hold time | $t_{DMFSKHOX}$ | 2.5 | — | ns |

Note:

1. The symbols used for timing specifications herein follow the pattern of $t_{(first\ two\ letters\ of\ functional\ block)(signal)(state)\ (reference)(state)}$ for inputs and $t_{(first\ two\ letters\ of\ functional\ block)(reference)(state)(signal)(state)}$ for outputs. For example, $t_{TDMIVKH}$ symbolizes TDM timing (DM) with respect to the time the input signals (I) reach the valid state (V) relative to the TDM Clock, t_{TC} , reference (K) going to the high (H) state or setup time. Also, output signals (O), hold (X).
2. Output values are based on 30 pF capacitive load.
3. Inputs are referenced to the sampling that the TDM is programmed to use. Outputs are referenced to the programming edge they are programmed to use. Use of the rising edge or falling edge as a reference is programmable. TDMxTCK and TDMxRCK are shown using the rising edge.

This figure shows the TDM receive signal timing.

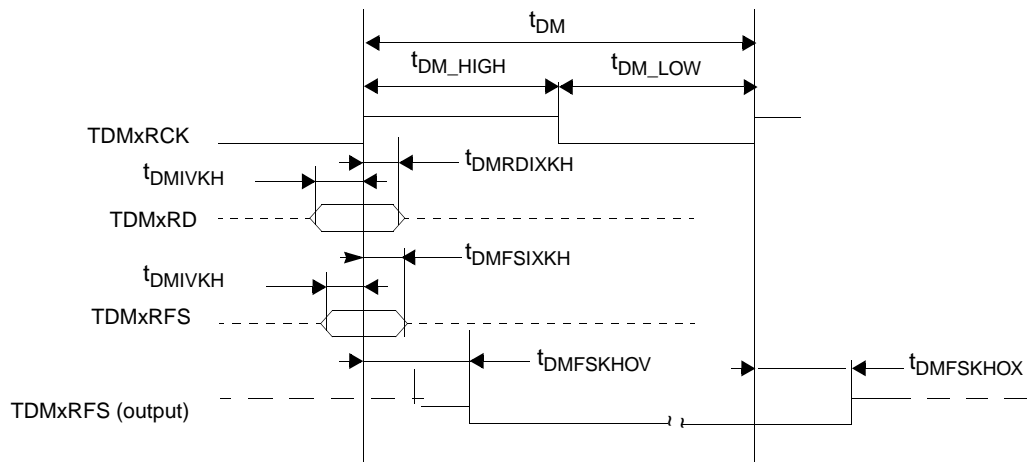


Figure 59. TDM Receive Signals

This figure shows the TDM transmit signal timing.

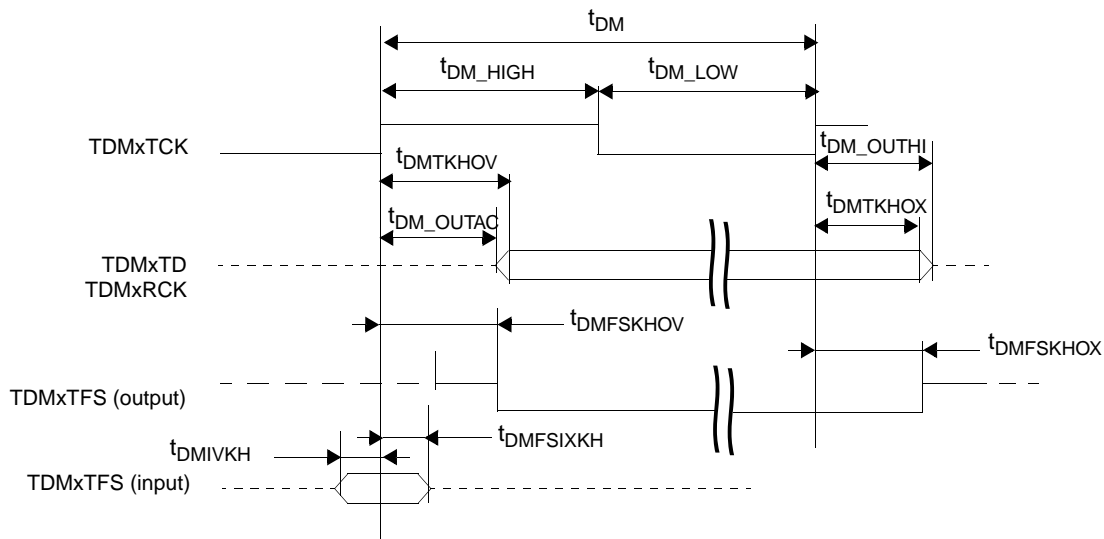


Figure 60. TDM Transmit Signals

23 Package and Pin Listings

This section details package parameters, pin assignments, and dimensions. The MPC8315E is available in a thermally enhanced plastic ball grid array (TEPBGA II), see [Section 23.1, “Package Parameters for the MPC8315E TEPBGA II,”](#) and [Section 23.2, “Mechanical Dimensions of the TEPBGA II,”](#) for information on the TEPBGA II.

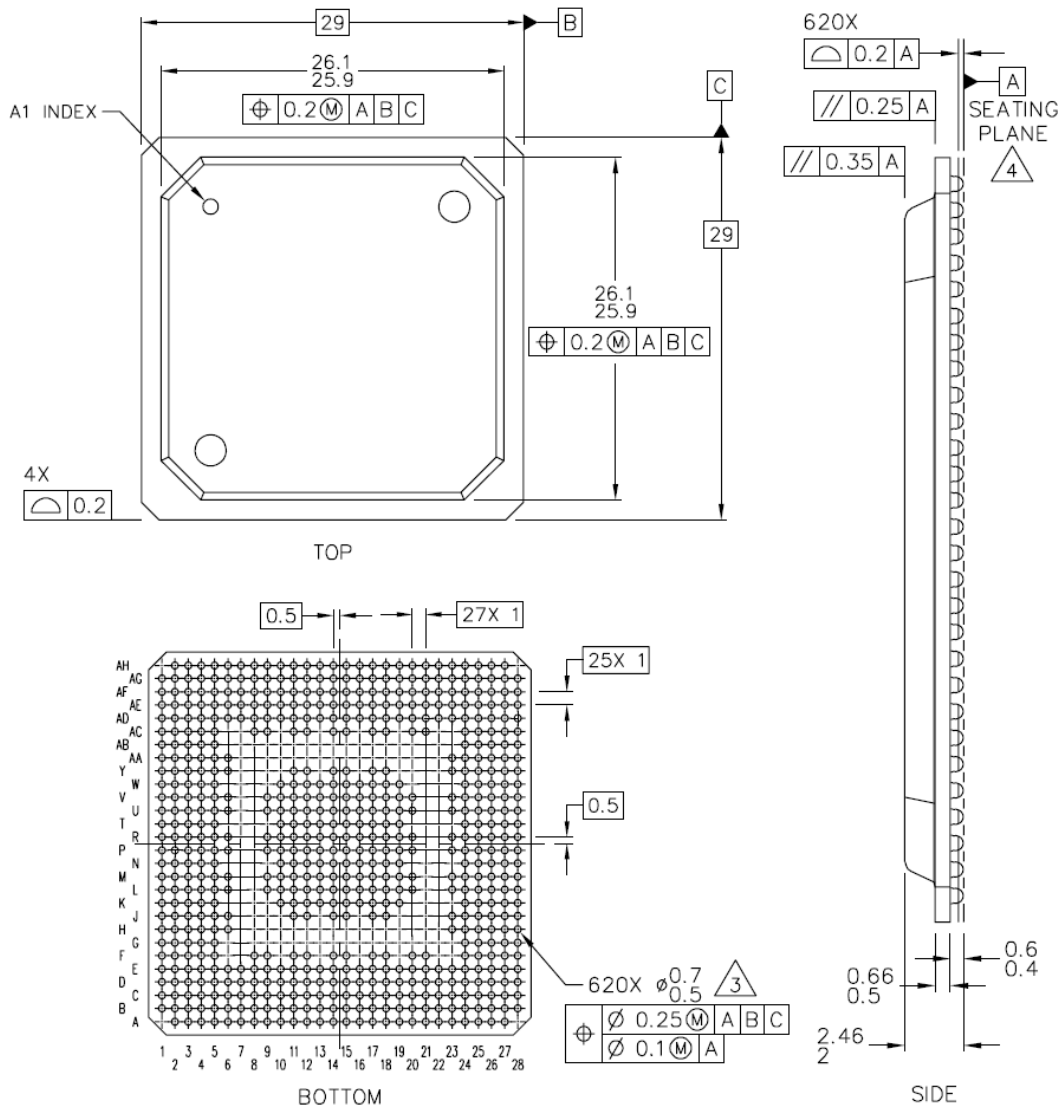
23.1 Package Parameters for the MPC8315E TEPBGA II

The package parameters are as provided in the following list. The package type is 29 mm × 29 mm, TEPBGA II.

| | |
|-------------------------|-----------------------------|
| Package outline | 29 mm × 29 mm |
| Interconnects | 620 |
| Pitch | 1 mm |
| Module height (typical) | 2.23 mm |
| Solder balls | 96.5 Sn/3.5 Ag (VR package) |
| Ball diameter (typical) | 0.6 mm |

23.2 Mechanical Dimensions of the TEPBGA II

This figure shows the mechanical dimensions and bottom surface nomenclature of the 620-pin TEPBGA II package.



Notes:

1. All dimensions are in millimeters.
2. Dimensions and tolerances per ASME Y14.5M-1994.
3. Maximum solder ball diameter measured parallel to datum A.
4. Datum A, the seating plane, is determined by the spherical crowns of the solder balls.

Figure 61. Mechanical Dimensions and Bottom Surface Nomenclature of the TEPBGA II

23.3 Pinout Listings

This table provides the pin-out listing for the TEPBGA II package.

Table 70. MPC8315E TEPBGA II Pinout Listing

| Signal | Package Pin Number | Pin Type | Power Supply | Note |
|--|--------------------|----------|--------------|------|
| DDR Memory Controller Interface | | | | |
| MEMC_MDQ[0] | AF16 | I/O | GVDD | — |
| MEMC_MDQ[1] | AE17 | I/O | GVDD | — |
| MEMC_MDQ[2] | AH17 | I/O | GVDD | — |
| MEMC_MDQ[3] | AG17 | I/O | GVDD | — |
| MEMC_MDQ[4] | AG18 | I/O | GVDD | — |
| MEMC_MDQ[5] | AH18 | I/O | GVDD | — |
| MEMC_MDQ[6] | AD18 | I/O | GVDD | — |
| MEMC_MDQ[7] | AF19 | I/O | GVDD | — |
| MEMC_MDQ[8] | AH19 | I/O | GVDD | — |
| MEMC_MDQ[9] | AD19 | I/O | GVDD | — |
| MEMC_MDQ[10] | AG20 | I/O | GVDD | — |
| MEMC_MDQ[11] | AH20 | I/O | GVDD | — |
| MEMC_MDQ[12] | AH21 | I/O | GVDD | — |
| MEMC_MDQ[13] | AE21 | I/O | GVDD | — |
| MEMC_MDQ[14] | AH22 | I/O | GVDD | — |
| MEMC_MDQ[15] | AD21 | I/O | GVDD | — |
| MEMC_MDQ[16] | AG10 | I/O | GVDD | — |
| MEMC_MDQ[17] | AH9 | I/O | GVDD | — |
| MEMC_MDQ[18] | AH8 | I/O | GVDD | — |
| MEMC_MDQ[19] | AD11 | I/O | GVDD | — |
| MEMC_MDQ[20] | AH7 | I/O | GVDD | — |
| MEMC_MDQ[21] | AG7 | I/O | GVDD | — |
| MEMC_MDQ[22] | AF8 | I/O | GVDD | — |
| MEMC_MDQ[23] | AD10 | I/O | GVDD | — |
| MEMC_MDQ[24] | AE9 | I/O | GVDD | — |
| MEMC_MDQ[25] | AH6 | I/O | GVDD | — |
| MEMC_MDQ[26] | AH5 | I/O | GVDD | — |
| MEMC_MDQ[27] | AG6 | I/O | GVDD | — |
| MEMC_MDQ[28] | AH4 | I/O | GVDD | — |
| MEMC_MDQ[29] | AE6 | I/O | GVDD | — |
| MEMC_MDQ[30] | AD8 | I/O | GVDD | — |
| MEMC_MDQ[31] | AF5 | I/O | GVDD | — |
| MEMC_MDM0 | AE18 | O | GVDD | — |
| MEMC_MDM1 | AE20 | O | GVDD | — |
| MEMC_MDM2 | AE10 | O | GVDD | — |

Table 70. MPC8315E TEPBGA II Pinout Listing (continued)

| Signal | Package Pin Number | Pin Type | Power Supply | Note |
|--------------|--------------------|----------|--------------|------|
| MEMC_MDM3 | AF6 | O | GVDD | — |
| MEMC_MDQS[0] | AF17 | I/O | GVDD | — |
| MEMC_MDQS[1] | AG21 | I/O | GVDD | — |
| MEMC_MDQS[2] | AG9 | I/O | GVDD | — |
| MEMC_MDQS[3] | AF7 | I/O | GVDD | — |
| MEMC_MBA[0] | AH16 | O | GVDD | — |
| MEMC_MBA[1] | AH15 | O | GVDD | — |
| MEMC_MBA[2] | AG15 | O | GVDD | — |
| MEMC_MA0 | AD15 | O | GVDD | — |
| MEMC_MA1 | AE15 | O | GVDD | — |
| MEMC_MA2 | AH14 | O | GVDD | — |
| MEMC_MA3 | AG14 | O | GVDD | — |
| MEMC_MA4 | AF14 | O | GVDD | — |
| MEMC_MA5 | AE14 | O | GVDD | — |
| MEMC_MA6 | AH13 | O | GVDD | — |
| MEMC_MA7 | AH12 | O | GVDD | — |
| MEMC_MA8 | AF13 | O | GVDD | — |
| MEMC_MA9 | AD13 | O | GVDD | — |
| MEMC_MA10 | AG12 | O | GVDD | — |
| MEMC_MA11 | AH11 | O | GVDD | — |
| MEMC_MA12 | AH10 | O | GVDD | — |
| MEMC_MA13 | AE12 | O | GVDD | — |
| MEMC_MA14 | AF11 | O | GVDD | — |
| MEMC_MWE | AE5 | O | GVDD | — |
| MEMC_MRAS | AD7 | O | GVDD | — |
| MEMC_MCAS | AG4 | O | GVDD | — |
| MEMC_MCS[0] | AH3 | O | GVDD | — |
| MEMC_MCS[1] | AD5 | O | GVDD | — |
| MEMC_MCKE | AE4 | O | GVDD | 3 |
| MEMC_MCK[0] | AF4 | O | GVDD | — |
| MEMC_MCK[0] | AF3 | O | GVDD | — |
| MEMC_MCK[1] | AF1 | O | GVDD | — |
| MEMC_MCK[1] | AE1 | O | GVDD | — |
| MEMC_MODT[0] | AE3 | O | GVDD | — |
| MEMC_MODT[1] | AD4 | O | GVDD | — |
| MEMC_MVREF | AD12 | I | GVDD | — |

Table 70. MPC8315E TEPBGA II Pinout Listing (continued)

| Signal | Package Pin Number | Pin Type | Power Supply | Note |
|--|--------------------|----------|--------------|------|
| Local Bus Controller Interface | | | | |
| LAD0 | AB28 | I/O | NVDD3_OFF | 11 |
| LAD1 | AB27 | I/O | NVDD3_OFF | 11 |
| LAD2 | AC28 | I/O | NVDD3_OFF | 11 |
| LAD3 | AA24 | I/O | NVDD3_OFF | 11 |
| LAD4 | AC27 | I/O | NVDD3_OFF | 11 |
| LAD5 | AD28 | I/O | NVDD3_OFF | 11 |
| LAD6 | AB25 | I/O | NVDD3_OFF | 11 |
| LAD7 | AC26 | I/O | NVDD3_OFF | 11 |
| LAD8 | AD27 | I/O | NVDD3_OFF | 11 |
| LAD9 | AB24 | I/O | NVDD3_OFF | 11 |
| LAD10 | AE28 | I/O | NVDD3_OFF | 11 |
| LAD11 | AE27 | I/O | NVDD3_OFF | 11 |
| LAD12 | AE26 | I/O | NVDD3_OFF | 11 |
| LAD13 | AF28 | I/O | NVDD3_OFF | 11 |
| LAD14 | AC24 | I/O | NVDD3_OFF | 11 |
| LAD15 | AD25 | I/O | NVDD3_OFF | 11 |
| LA16 | V24 | O | NVDD3_OFF | 11 |
| LA17 | V25 | O | NVDD3_OFF | 11 |
| LA18 | W26 | O | NVDD3_OFF | 11 |
| LA19 | W28 | O | NVDD3_OFF | 11 |
| LA20 | U24 | O | NVDD3_OFF | 11 |
| LA21 | W24 | O | NVDD3_OFF | 11 |
| LA22 | Y28 | O | NVDD3_OFF | 11 |
| LA23 | AH23 | O | NVDD3_OFF | 11 |
| LA24 | AH24 | O | NVDD3_OFF | 11 |
| LA25 | AG23 | O | NVDD3_OFF | 11 |
| $\overline{\text{LCS}}[0]$ | AD22 | O | NVDD3_OFF | 12 |
| $\overline{\text{LCS}}[1]$ | AF25 | O | NVDD3_OFF | 12 |
| $\overline{\text{LCS}}[2]$ | AG24 | O | NVDD3_OFF | 12 |
| $\overline{\text{LCS}}[3]$ | AF24 | O | NVDD3_OFF | 12 |
| $\overline{\text{LWE}}[0] / \overline{\text{LFW}} / \overline{\text{LBS}}$ | AE23 | O | NVDD3_OFF | 12 |
| $\overline{\text{LWE}}[1]$ | AG26 | O | NVDD3_OFF | 12 |
| LBCTL | AH26 | O | NVDD3_OFF | 12 |
| LALE | AF26 | O | NVDD3_OFF | 11 |
| LGPL0/LFCLE | Y27 | O | NVDD3_OFF | — |

Table 70. MPC8315E TEPBGA II Pinout Listing (continued)

| Signal | Package Pin Number | Pin Type | Power Supply | Note |
|--------------------------------------|--------------------|----------|--------------|------|
| LGPL1/LFALE | AA28 | O | NVDD3_OFF | — |
| LGPL2/LFRE/LOE | Y25 | O | NVDD3_OFF | 12 |
| LGPL3/LFWP | Y24 | O | NVDD3_OFF | — |
| LGPL4/LGTÀ/LUPWAIT/LFRB | AA26 | I/O | NVDD3_OFF | 2 |
| LGPL5 | AF22 | O | NVDD3_OFF | 12 |
| LCLK0 | AH25 | O | NVDD3_OFF | 11 |
| LCLK1 | AD24 | O | NVDD3_OFF | 11 |
| DUART | | | | |
| UART_SOUT1/MSRCID0 (DDR ID)/LSRCID0 | C15 | O | NVDD2_OFF | — |
| UART_SIN1/MSRCID1 (DDR ID)/LSRCID1 | B16 | I/O | NVDD2_OFF | — |
| UART_CTS[1]/MSRCID2 (DDR ID)/LSRCID2 | D16 | I/O | NVDD2_OFF | — |
| UART_RTS[1]/MSRCID3 (DDR ID)/LSRCID3 | B17 | O | NVDD2_OFF | — |
| UART_SOUT2/MSRCID4 (DDR ID)/LSRCID4 | A16 | O | NVDD2_OFF | — |
| UART_SIN2/MDVAL (DDR ID)/LDVAL | C16 | I/O | NVDD2_OFF | — |
| UART_CTS[2] | A17 | I | NVDD2_OFF | — |
| UART_RTS[2] | A18 | O | NVDD2_OFF | — |
| I²C interface | | | | |
| IIC_SDA/CKSTOP_OUT | N1 | I/O | NVDD4_OFF | 2 |
| IIC_SCL/CKSTOP_IN | N2 | I/O | NVDD4_OFF | 2 |
| Interrupts | | | | |
| MCP_OUT | W1 | O | NVDD1_OFF | 2 |
| IRQ[0]/MCP_IN | Y3 | I | NVDD1_OFF | — |
| IRQ[1] | E1 | I | NVDD1_ON | — |
| IRQ[2] | A7 | I | NVDD1_ON | — |
| IRQ[3] | AA1 | I | NVDD1_OFF | — |
| IRQ[4] | Y5 | I | NVDD1_OFF | — |
| IRQ[5]/CORE_SRESET_IN | AA2 | I | NVDD1_OFF | — |
| IRQ[6]/CKSTOP_OUT | AA4 | I/O | NVDD1_OFF | — |
| IRQ[7]/CKSTOP_IN | AA5 | I | NVDD1_OFF | — |
| Configuration | | | | |
| CFG_CLKIN_DIV | A5 | I | NVDD1_ON | 12 |
| EXT_PWR_CTRL | D3 | O | NVDD1_ON | 12 |
| PMC_PWR_OK | D4 | I | — | 12 |

Table 70. MPC8315E TEPBGA II Pinout Listing (continued)

| Signal | Package Pin Number | Pin Type | Power Supply | Note |
|-----------------|--------------------|----------|--------------|------|
| JTAG | | | | |
| TCK | E5 | I | NVDD1_ON | — |
| TDI | B4 | I | NVDD1_ON | 4 |
| TDO | C4 | O | NVDD1_ON | 3 |
| TMS | C3 | I | NVDD1_ON | 4 |
| TRST | C2 | I | NVDD1_ON | 4 |
| TDM | | | | |
| GPIO_18/TDM_RCK | AB1 | I/O | NVDD1_OFF | — |
| GPIO_20/TDM_RD | AC1 | I/O | NVDD1_OFF | — |
| GPIO_19/TDM_RFS | AB3 | I/O | NVDD1_OFF | — |
| GPIO_21/TDM_TCK | AB5 | I/O | NVDD1_OFF | — |
| GPIO_23/TDM_TD | AC3 | I/O | NVDD1_OFF | — |
| GPIO_22/TDM_TFS | AC2 | I/O | NVDD1_OFF | — |
| SATA | | | | |
| PINRXMINUSA | N28 | I | VDD1IO | — |
| PINRXMINUSB | U28 | I | VDD1IO | — |
| PINRXPLUSA | M28 | I | VDD1IO | — |
| PINRXPLUSB | T28 | I | VDD1IO | — |
| PINTXMINUSA | M25 | O | VDD1IO | — |
| PINTXMINUSB | P26 | O | VDD1IO | — |
| PINTXPLUSA | N25 | O | VDD1IO | — |
| PINTXPLUSB | R26 | O | VDD1IO | — |
| SATA_ANAVIZ | U26 | O | — | — |
| SATA_CLK_IN | V27 | I | NVDD3_OFF | — |
| SATA_VDD | N27 | I | — | — |
| SATA_VDD | U23 | I | — | — |
| SATA_VSS | M27 | I | — | — |
| SATA_VSS | V28 | I | — | — |
| VSSRESREF | T26 | I | — | — |
| RESREF | T25 | I | — | 10 |
| VDD33ANA | U27 | I | — | — |
| VDD33PLL | T27 | I | — | — |
| TEST | | | | |
| TEST_MODE | D6 | I | NVDD1_ON | 6 |
| DEBUG | | | | |

Table 70. MPC8315E TEPBGA II Pinout Listing (continued)

| Signal | Package Pin Number | Pin Type | Power Supply | Note |
|-----------------------|--------------------|----------|--------------|------|
| QUIESCE | B5 | O | NVDD1_ON | — |
| System Control | | | | |
| HRESET | B6 | I/O | NVDD1_ON | 1 |
| PORESET | A6 | I | NVDD1_ON | — |
| Clocks | | | | |
| SYS_XTAL_IN | L27 | I | NVDD2_ON | — |
| SYS_XTAL_OUT | J28 | O | NVDD2_ON | — |
| SYS_CLK_IN | K28 | I | NVDD2_ON | — |
| USB_XTAL_IN | A15 | I | NVDD2_OFF | — |
| USB_XTAL_OUT | B14 | O | NVDD2_OFF | — |
| USB_CLK_IN | B15 | I | NVDD2_OFF | — |
| PCI_SYNC_OUT | J27 | O | NVDD2_ON | 3 |
| RTC_CLK | K26 | I | NVDD2_ON | — |
| PCI_SYNC_IN | K27 | I | NVDD2_ON | — |
| MISC | | | | |
| AVDD1 | AC15 | I | — | — |
| AVDD2 | M23 | I | — | — |
| THERM0 | L25 | I | NVDD2_ON | 7 |
| DMA_DACK0/GPIO_13 | AC4 | I/O | NVDD1_OFF | — |
| DMA_DREQ0/GPIO_12 | AD1 | I/O | NVDD1_OFF | — |
| DMA_DONE0/GPIO_14 | AD2 | I/O | NVDD1_OFF | — |
| NC, No Connect | A2 | — | — | — |
| NC, No Connect | U25 | — | — | — |
| PCI | | | | |
| PCI_INTA | B18 | O | NVDD2_OFF | — |
| PCI_RESET_OUT | A20 | O | NVDD2_OFF | — |
| PCI_AD[0] | J25 | I/O | NVDD2_OFF | — |
| PCI_AD[1] | J24 | I/O | NVDD2_OFF | — |
| PCI_AD[2] | K24 | I/O | NVDD2_OFF | — |
| PCI_AD[3] | H27 | I/O | NVDD2_OFF | — |
| PCI_AD[4] | H28 | I/O | NVDD2_OFF | — |
| PCI_AD[5] | H26 | I/O | NVDD2_OFF | — |
| PCI_AD[6] | G27 | I/O | NVDD2_OFF | — |
| PCI_AD[7] | G28 | I/O | NVDD2_OFF | — |
| PCI_AD[8] | F26 | I/O | NVDD2_OFF | — |

Table 70. MPC8315E TEPBGA II Pinout Listing (continued)

| Signal | Package Pin Number | Pin Type | Power Supply | Note |
|-----------------------------------|--------------------|----------|--------------|------|
| PCI_AD[9] | F28 | I/O | NVDD2_OFF | — |
| PCI_AD[10] | G25 | I/O | NVDD2_OFF | — |
| PCI_AD[11] | F27 | I/O | NVDD2_OFF | — |
| PCI_AD[12] | E27 | I/O | NVDD2_OFF | — |
| PCI_AD[13] | E28 | I/O | NVDD2_OFF | — |
| PCI_AD[14] | D28 | I/O | NVDD2_OFF | — |
| PCI_AD[15] | D27 | I/O | NVDD2_OFF | — |
| PCI_AD[16] | B25 | I/O | NVDD2_OFF | — |
| PCI_AD[17] | D24 | I/O | NVDD2_OFF | — |
| PCI_AD[18] | B26 | I/O | NVDD2_OFF | — |
| PCI_AD[19] | C24 | I/O | NVDD2_OFF | — |
| PCI_AD[20] | A26 | I/O | NVDD2_OFF | — |
| PCI_AD[21] | E20 | I/O | NVDD2_OFF | — |
| PCI_AD[22] | A23 | I/O | NVDD2_OFF | — |
| PCI_AD[23] | C22 | I/O | NVDD2_OFF | — |
| PCI_AD[24] | E19 | I/O | NVDD2_OFF | — |
| PCI_AD[25] | A22 | I/O | NVDD2_OFF | — |
| PCI_AD[26] | C20 | I/O | NVDD2_OFF | — |
| PCI_AD[27] | B21 | I/O | NVDD2_OFF | — |
| PCI_AD[28] | D19 | I/O | NVDD2_OFF | — |
| PCI_AD[29] | A19 | I/O | NVDD2_OFF | — |
| PCI_AD[30] | A21 | I/O | NVDD2_OFF | — |
| PCI_AD[31] | B19 | I/O | NVDD2_OFF | — |
| PCI_C/ $\overline{\text{BE}}$ [0] | H24 | I/O | NVDD2_OFF | — |
| PCI_C/ $\overline{\text{BE}}$ [1] | C27 | I/O | NVDD2_OFF | — |
| PCI_C/ $\overline{\text{BE}}$ [2] | A25 | I/O | NVDD2_OFF | — |
| PCI_C/ $\overline{\text{BE}}$ [3] | E21 | I/O | NVDD2_OFF | — |
| PCI_PAR | G24 | I/O | NVDD2_OFF | — |
| $\overline{\text{PCI_FRAME}}$ | C28 | I/O | NVDD2_OFF | 5 |
| $\overline{\text{PCI_TRDY}}$ | A24 | I/O | NVDD2_OFF | 5 |
| $\overline{\text{PCI_IRDY}}$ | D25 | I/O | NVDD2_OFF | 5 |
| $\overline{\text{PCI_STOP}}$ | D23 | I/O | NVDD2_OFF | 5 |
| $\overline{\text{PCI_DEVSEL}}$ | E22 | I/O | NVDD2_OFF | 5 |
| PCI_IDSEL | D26 | I | NVDD2_OFF | — |
| $\overline{\text{PCI_SERR}}$ | C25 | I/O | NVDD2_OFF | 5 |
| $\overline{\text{PCI_PERR}}$ | D21 | I/O | NVDD2_OFF | 5 |

Table 70. MPC8315E TEPBGA II Pinout Listing (continued)

| Signal | Package Pin Number | Pin Type | Power Supply | Note |
|---|--------------------|----------|--------------|------|
| PCI_REQ0 | E18 | I/O | NVDD2_OFF | — |
| PCI_REQ1/CPCI_HS_ES | C18 | I | NVDD2_OFF | — |
| PCI_REQ2 | E17 | I | NVDD2_OFF | — |
| PCI_GNT0 | B20 | I/O | NVDD2_OFF | — |
| PCI_GNT1/CPCI_HS_LED | D17 | O | NVDD2_OFF | — |
| PCI_GNT2/CPCI_HS_ENUM | E15 | O | NVDD2_OFF | — |
| M66EN | L24 | I | NVDD2_OFF | — |
| PCI_CLK0 | E23 | O | NVDD2_OFF | — |
| PCI_CLK1 | F24 | O | NVDD2_OFF | — |
| PCI_CLK2 | E25 | O | NVDD2_OFF | — |
| PCI_PME | B23 | I/O | NVDD2_OFF | 2 |
| ETSEC1/_USBULPI | | | | |
| GPIO_24/TSEC1_COL/USBDR_TXDRXD0 | J1 | I/O | LVDD1_OFF | — |
| GPIO_25/TSEC1_CRD/USBDR_TXDRXD1 | H1 | I/O | LVDD1_OFF | — |
| TSEC1_GTX_CLK/USBDR_TXDRXD2 | K5 | I/O | LVDD1_OFF | 3 |
| TSEC1_RX_CLK/USBDR_TXDRXD3 | J4 | I/O | LVDD1_OFF | — |
| TSEC1_RX_DV/USBDR_TXDRXD4 | J2 | I/O | LVDD1_OFF | — |
| TSEC1_RXD[3]/USBDR_TXDRXD5 | G1 | I/O | LVDD1_OFF | — |
| TSEC1_RXD[2]/USBDR_TXDRXD6 | H3 | I/O | LVDD1_OFF | — |
| TSEC1_RXD[1]/USBDR_TXDRXD7/TSEC_TMR_CLK | J5 | I/O | LVDD1_OFF | — |
| TSEC1_RXD[0]/USBDR_NXT/TSEC_TMR_TRIG1 | H2 | I | LVDD1_OFF | — |
| TSEC1_RX_ER/USBDR_DIR/TSEC_TMR_TRIG2 | H5 | I | LVDD1_OFF | — |
| TSEC1_TX_CLK/USBDR_CLK | G2 | I | LVDD1_OFF | — |
| GPIO_28/TSEC1_TXD[3]/TSEC_TMR_GCLK | F3 | I/O | LVDD1_OFF | — |
| GPIO_29/TSEC1_TXD[2]/TSEC_TMR_PP1 | F2 | I/O | LVDD1_OFF | — |
| GPIO_30/TSEC1_TXD[1]/TSEC_TMR_PP2 | F1 | I/O | LVDD1_OFF | — |
| TSEC1_TXD[0]/USBDR_STP/TSEC_TMR_PP3 | G4 | O | LVDD1_OFF | 12 |
| GPIO_31/TSEC1_TX_EN/TSEC_TMR_ALARM1 | F4 | I/O | LVDD1_OFF | — |
| TSEC1_TX_ER/TSEC_TMR_ALARM2 | G5 | O | LVDD1_OFF | — |
| TSEC_GTX_CLK125 | D1 | I | NVDD1_ON | — |
| TSEC_MDC/LB_POR_CFG_BOOT_ECC | E3 | I/O | NVDD1_ON | 9 |
| TSEC_MDIO | E2 | I/O | NVDD1_ON | — |

Table 70. MPC8315E TEPBGA II Pinout Listing (continued)

| Signal | Package Pin Number | Pin Type | Power Supply | Note |
|----------------------------------|--------------------|----------|--------------|------|
| ETSEC2 | | | | |
| GPIO_26/TSEC2_COL | A8 | I/O | LVDD2_ON | — |
| GPIO_27/TSEC2_CRS | E9 | I/O | LVDD2_ON | — |
| TSEC2_GTX_CLK | B10 | O | LVDD2_ON | — |
| TSEC2_RX_CLK | B8 | I | LVDD2_ON | — |
| TSEC2_RX_DV | C9 | I | LVDD2_ON | — |
| TSEC2_RXD[3] | C10 | I | LVDD2_ON | — |
| TSEC2_RXD[2] | D10 | I | LVDD2_ON | — |
| TSEC2_RXD[1] | A9 | I | LVDD2_ON | — |
| TSEC2_RXD[0] | B9 | I | LVDD2_ON | — |
| TSEC2_RX_ER | A10 | I | LVDD2_ON | — |
| TSEC2_TX_CLK | D8 | I | LVDD2_ON | — |
| TSEC2_TXD[3]/CFG_RESET_SOURCE[0] | D11 | I/O | LVDD2_ON | — |
| TSEC2_TXD[2]/CFG_RESET_SOURCE[1] | C7 | I/O | LVDD2_ON | — |
| TSEC2_TXD[1]/CFG_RESET_SOURCE[2] | E8 | I/O | LVDD2_ON | — |
| TSEC2_TXD[0]/CFG_RESET_SOURCE[3] | B7 | I/O | LVDD2_ON | — |
| TSEC2_TX_EN | D12 | O | LVDD2_ON | — |
| TSEC2_TX_ER | B11 | O | LVDD2_ON | — |
| SGMII / PCI Express PHY | | | | |
| TXA | P4 | O | XPADVDD | — |
| $\overline{\text{TXA}}$ | N4 | O | XPADVDD | — |
| RXA | R1 | I | XCOREVDD | — |
| $\overline{\text{RXA}}$ | P1 | I | XCOREVDD | — |
| TXB | U4 | O | XPADVDD | — |
| $\overline{\text{TXB}}$ | V4 | O | XPADVDD | — |
| RXB | U1 | I | XCOREVDD | — |
| $\overline{\text{RXB}}$ | V1 | I | XCOREVDD | — |
| SD_IMP_CAL_RX | N3 | I | XCOREVDD | — |
| SD_REF_CLK | R4 | I | XCOREVDD | — |
| SD_REF_CLK | R5 | I | XCOREVDD | — |
| SD_PLL_TPD | T2 | O | — | — |
| SD_IMP_CAL_TX | V5 | I | XPADVDD | — |
| SDAVDD | T3 | I | — | — |
| SD_PLL_TPA_ANA | T4 | O | — | — |
| SDAVSS | T5 | I | — | — |
| USB Phy | | | | |

Table 70. MPC8315E TEPBGA II Pinout Listing (continued)

| Signal | Package Pin Number | Pin Type | Power Supply | Note |
|---|--------------------|----------|--------------|------|
| USB_DP | A11 | I/O | USB_VDDA | — |
| USB_DM | A12 | I/O | USB_VDDA | — |
| USB_VBUS | C12 | I | — | — |
| USB_TPA | A14 | O | — | — |
| USB_RBIAS | D14 | I | — | 8 |
| USB_PLL_PWR3 | A13 | I | — | — |
| USB_PLL_GND0 & USB_PLL_GND1 | D13 | I | — | — |
| USB_PLL_PWR1 | B13 | I | — | — |
| USB_VSSA_BIAS | E14 | I | — | — |
| USB_VDDA_BIAS | C14 | I | — | — |
| USB_VSSA | E13 | I | — | — |
| USB_VDDA | E12 | I | — | — |
| GPIO | | | | |
| GPIO_0/DMA_DREQ1/GTM1_TOUT1 | C5 | I/O | NVDD1_ON | — |
| GPIO_1/DMA_DACK1/GTM1_TIN2/GTM2_TIN1 | A4 | I/O | NVDD1_ON | — |
| GPIO_2/DMA_DONE1/GTM1_TGATE2/GTM2_TGATE1 | K3 | I/O | NVDD4_OFF | — |
| GPIO_3/GTM1_TIN3/GTM2_TIN4 | K1 | I/O | NVDD4_OFF | — |
| GPIO_4/GTM1_TGATE3/GTM2_TGATE4 | K2 | I/O | NVDD4_OFF | — |
| GPIO_5/GTM1_TOUT3/GTM2_TOUT1 | L5 | I/O | NVDD4_OFF | — |
| GPIO_6/GTM1_TIN4/GTM2_TIN3 | L3 | I/O | NVDD4_OFF | — |
| GPIO_7/GTM1_TGATE4/GTM2_TGATE3 | L1 | I/O | NVDD4_OFF | — |
| GPIO_8/USBDR_DRIVE_VBUS/GTM1_TIN1/GTM2_TIN2 | M1 | I/O | NVDD4_OFF | — |
| GPIO_9/USBDR_PWRFAULT/GTM1_TGATE1/GTM2_TGATE2 | M2 | I/O | NVDD4_OFF | — |
| GPIO_10/USBDR_PCTL0/GTM1_TOUT2/GTM2_TOUT1 | M5 | I/O | NVDD4_OFF | — |
| GPIO_11/USBDR_PCTL1/GTM1_TOUT4/GTM2_TOUT3 | M4 | I/O | NVDD4_OFF | — |
| SPI | | | | |
| SPIMOSI/GPIO_15 | W3 | I/O | NVDD1_OFF | — |
| SPIMISO/GPIO_16 | W4 | I/O | NVDD1_OFF | — |
| SPICLK | Y1 | I/O | NVDD1_OFF | — |
| SPISEL/GPIO_17 | W2 | I/O | NVDD1_OFF | — |

Table 70. MPC8315E TEPBGA II Pinout Listing (continued)

| Signal | Package Pin Number | Pin Type | Power Supply | Note |
|----------------------------------|--|----------|--------------|------|
| Power and Ground Supplies | | | | |
| GVDD | Y11, Y12, Y14, Y15, Y17, AC8, AC11, AC14, AC17, AD6, AD9, AD17, AE8, AE13, AE19, AF10, AF15, AF21, AG2, AG3, AG8, AG13, AG19, AH2 | I | — | — |
| LVDD1_OFF | H6, J3, L6, L9, M9 | I | — | — |
| LVDD2_ON | C11, D9, E10, F11, J12 | I | — | — |
| NVDD1_OFF | U9, V9, W10, Y4, Y6, AA3, AB4 | I | — | — |
| NVDD1_ON | B1, B2, C1, D5, E7, F5, F9, J11, K10 | I | — | — |
| NVDD2_OFF | B22, B27, C19, E16, F15, F18, F21, F25, H25, J17, J18, J23, L20, M20 | I | — | — |
| NVDD2_ON | L26, N19 | I | — | — |
| NVDD3_OFF | U20, V20, V23, V26, W19, Y18, Y26, AA23, AA25, AC20, AC25, AD23, AE25, AG25, AG27 | I | — | — |
| NVDD4_OFF | K4, L2, M6, N10 | I | — | — |
| VDD | J15, K15, K16, K17, K18, K19, L10, L19, M10, T10, U10, U19, V10, V19, W11, W12, W13, W14, W15, W16, W17, W18 | I | — | — |
| VDD1ANA | P23, R23, T19 | I | — | — |
| VDD1IO | M26, N26, P28, R28 | I | — | — |
| VDDC | J14, K11, K12, K13, K14, M19 | I | — | — |
| VSS | A3, A27, B3, B12, B24, B28, C6, C8, C13, C17, C21, C23, C26, D2, D7, D15, D18, D20, D22, E4, E6, E11, E24, E26, F8, F12, F14, F17, F20, G3, G26, H4, H23, J6, J26, K25, L4, L11, L12, L13, L14, L15, L16, L17, L18, L23, L28, M3, M11, M12, M13, M14, M15, M16, M17, M18, N5, N11, N12, N13, N14, N15, N16, N17, N18, P6, P11, P12, P13, P14, P15, P16, P17, P18, R6, R11, R12, R13, R14, R15, R16, R17, R18, T11, T12, T13, T14, T15, T16, T17, T18, U5, U6, U11, U12, U13, U14, U15, U16, U17, U18, V6, V11, V12, V13, V14, V15, V16, V17, V18, W5, W25, W27, Y2, Y23, AA6, AA27, AB2, AB26, AC5, AC9, AC12, AC18, AC21, AD3, AD14, AD16, AD20, AD26, AE2, AE7, AE11, AE16, AE22, AE24, AF2, AF9, AF12, AF18, AF20, AF23, AF27, AG1, AG5, AG11, AG16, AG22, AG28, AH27 | I | — | — |
| VSS1ANA | P24, R19, R20, R24 | I | — | — |

Table 70. MPC8315E TEPBGA II Pinout Listing (continued)

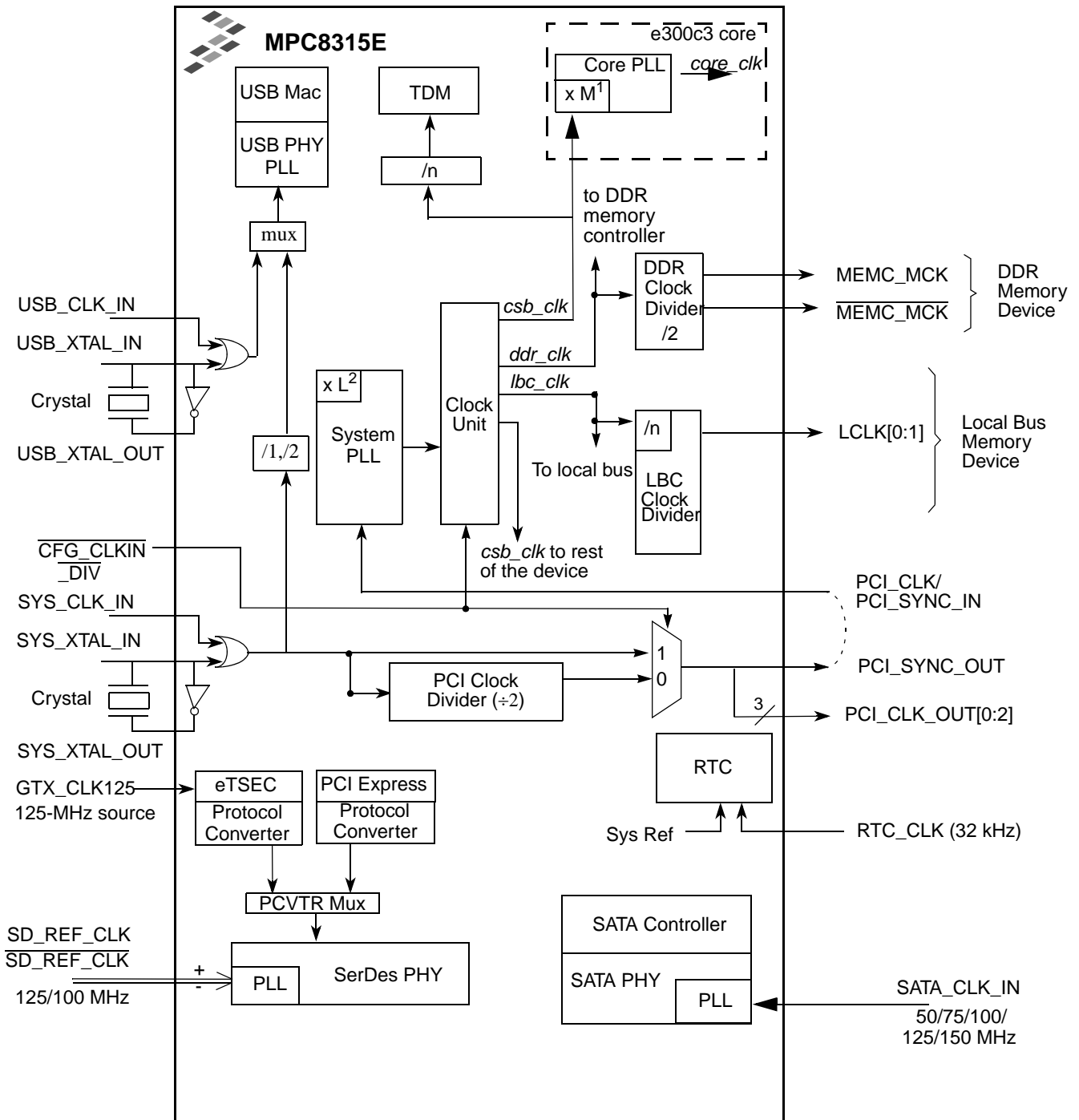
| Signal | Package Pin Number | Pin Type | Power Supply | Note |
|----------|---|----------|--------------|------|
| VSS1IO | M24, N24, P19, P20, P25, P27, R25, R27, T24 | I | — | — |
| XCOREVDD | P2, P10, R2, T1 | I | — | — |
| XCOREVSS | R3, R10, U2, V2 | I | — | — |
| XPADVDD | P3, R9, U3 | I | — | — |
| XPADVSS | P5, P9, V3 | I | — | — |

Note:

1. This pin is an open drain signal. A weak pull-up resistor (1 k Ω) should be placed on this pin to NVDD.
2. This pin is an open drain signal. A weak pull-up resistor (2–10 k Ω) should be placed on this pin to NVDD.
3. This output is actively driven during reset rather than being three-stated during reset.
4. These JTAG pins have weak internal pull-up P-FETs that are always enabled.
5. This pin should have a weak pull up if the chip is in PCI host mode. Follow PCI specifications recommendation.
6. This pin must always be tied to VSS.
7. Thermal sensitive resistor.
8. This pin should be connected to USB_VSSA_BIAS through 10K precision resistor.
9. The LB_POR_CFG_BOOT_ECC functionality for this pin is only available in MPC8315E revision 1.1 and later. The LB_POR_CFG_BOOT_ECC is sampled only during the $\overline{\text{PORESET}}$ negation. This pin with an internal pull down resistor enables the ECC by default. To disable the ECC an external strong pull up resistor or a tristate buffer is needed.
10. This pin should be connected to an external 2.7 K $\pm 1\%$ resistor connected to VSS. The resistor should be placed as close as possible to the input.
11. This pin has a weak internal pull-down.
12. This pin has a weak internal pull-up.

24 Clocking

This figure shows the internal distribution of clocks within the MPC8315E.



¹ Multiplication factor $M = 1, 1.5, 2, 2.5,$ and 3 . Value is decided by RCWLR[COREPLL].
² Multiplication factor $L = 2, 3, 4$ and 5 . Value is decided by RCWLR[SPMF].

Figure 62. MPC8315E Clock Subsystem

The primary clock source can be one of two inputs, SYS_CLK_IN or PCI_CLK, depending on whether the device is configured in PCI host or PCI agent mode. When the device is configured as a PCI host device, SYS_CLK_IN is its primary input clock. SYS_CLK_IN feeds the PCI clock divider ($\div 2$) and the multiplexors for PCI_SYNC_OUT and PCI_CLK_OUT. The CFG_SYS_CLKIN_DIV configuration input selects whether SYS_CLK_IN or SYS_CLK_IN/2 is driven out on the PCI_SYNC_OUT signal.

PCI_SYNC_OUT is connected externally to PCI_SYNC_IN to allow the internal clock subsystem to synchronize to the system PCI clocks. PCI_SYNC_OUT must be connected properly to PCI_SYNC_IN, with equal delay to all PCI agent devices in the system, to allow the device to function. When the device is configured as a PCI agent device, PCI_CLK is the primary input clock. When the device is configured as a PCI agent device the SYS_CLK_IN signal should be tied to GND.

As shown in Figure 62, the primary clock input (frequency) is multiplied up by the system phase-locked loop (PLL) and the clock unit to create the coherent system bus clock (*csb_clk*), the internal clock for the DDR controller (*ddr_clk*), and the internal clock for the local bus interface unit (*lbiu_clk*).

The *csb_clk* frequency is derived from a complex set of factors that can be simplified into the following equation:

$$csb_clk = \{PCI_SYNC_IN \times (1 + \sim \overline{CFG_SYS_CLKIN_DIV})\} \times SPMF$$

In PCI host mode, $PCI_SYNC_IN \times (1 + \sim \overline{CFG_SYS_CLKIN_DIV})$ is the SYS_CLK_IN frequency.

The *csb_clk* serves as the clock input to the e300 core. A second PLL inside the e300 core multiplies up the *csb_clk* frequency to create the internal clock for the e300 core (*core_clk*). The system and core PLL multipliers are selected by the SPMF and COREPLL fields in the reset configuration word low (RCWL) which is loaded at power-on reset or by one of the hard-coded reset options. See Chapter 4, “Reset, Clocking, and Initialization,” in the *MPC8315E PowerQUICC II Pro Integrated Host Processor Family Reference Manual* for more information on the clock subsystem.

The internal *ddr_clk* frequency is determined by the following equation:

$$ddr_clk = csb_clk \times (1 + RCWL[DDRCM])$$

Note that *ddr_clk* is not the external memory bus frequency; *ddr_clk* passes through the DDR clock divider ($\div 2$) to create the differential DDR memory bus clock outputs (MCK and \overline{MCK}). However, the data rate is the same frequency as *ddr_clk*.

The internal *lbiu_clk* frequency is determined by the following equation:

$$lbiu_clk = csb_clk \times (1 + RCWL[LBCM])$$

Note that *lbiu_clk* is not the external local bus frequency; *lbiu_clk* passes through the LBIU clock divider to create the external local bus clock outputs (LCLK[0:1]). The LBIU clock divider ratio is controlled by LCRR[CLKDIV].

In addition, some of the internal units may be required to be shut off or operate at lower frequency than the *csb_clk* frequency. Those units have a default clock ratio that can be configured by a memory mapped register after the device comes out of reset. Table 71 specifies which units have a configurable clock frequency.

Table 71. Configurable Clock Units

| Unit | Default Frequency | Options |
|------------------------------|-------------------|---|
| eTSEC1 | <i>csb_clk</i> | Off, <i>csb_clk</i> , <i>csb_clk/2</i> , <i>csb_clk/3</i> |
| eTSEC2 | <i>csb_clk</i> | Off, <i>csb_clk</i> , <i>csb_clk/2</i> , <i>csb_clk/3</i> |
| Security Core, I2C, SAP, TPR | <i>csb_clk</i> | Off, <i>csb_clk</i> , <i>csb_clk/2</i> , <i>csb_clk/3</i> |
| USB DR | <i>csb_clk</i> | Off, <i>csb_clk</i> , <i>csb_clk/2</i> , <i>csb_clk/3</i> |
| PCI and DMA complex | <i>csb_clk</i> | Off, <i>csb_clk</i> |
| PCI Express | <i>csb_clk</i> | Off, <i>csb_clk</i> |
| Serial ATA | <i>csb_clk</i> | Off, <i>csb_clk</i> , <i>csb_clk/2</i> , <i>csb_clk/3</i> |

This table provides the operating frequencies for the TEPBGA II under recommended operating conditions (see [Table 2](#)).

Table 72. Operating Frequencies for TEPBGA II

| Characteristic ¹ | Max Operating Frequency | Unit |
|---|-------------------------|------|
| e300 core frequency (<i>core_clk</i>) | 400 | MHz |
| Coherent system bus frequency (<i>csb_clk</i>) | 133 | MHz |
| DDR1/2 memory bus frequency (MCK) ² | 133 | MHz |
| Local bus frequency (LCLK _n) ³ | 66 | MHz |
| PCI input frequency (SYS_CLK_IN or PCI_CLK) | 24-66 | MHz |

Note:

1. The SYS_CLK_IN frequency, RCWL[SPMF], and RCWL[COREPLL] settings must be chosen such that the resulting *csb_clk*, MCK, LCLK[0:1], and *core_clk* frequencies do not exceed their respective maximum or minimum operating frequencies.
2. The DDR data rate is 2x the DDR memory bus frequency.
3. The local bus frequency is 1/2, 1/4, or 1/8 of the *lbiu_clk* frequency (depending on LCRR[CLKDIV]) which is in turn 1x or 2x the *csb_clk* frequency (depending on RCWL[LBCM]).

24.1 System PLL Configuration

The system PLL is controlled by the RCWL[SPMF] parameter. [Table 73](#) shows the multiplication factor encodings for the system PLL.

NOTE

If RCWL[DDRCM] and RCWL[LBCM] are both cleared, the system PLL VCO frequency = (CSB frequency) × (System PLL VCO Divider).

If either RCWL[DDRCM] or RCWL[LBCM] are set, the system PLL VCO frequency = 2 × (CSB frequency) × (System PLL VCO Divider).

The VCO divider needs to be set properly so that the System PLL VCO frequency is in the range of 450–750 MHz.

Table 73. System PLL Multiplication Factors

| RCWL[SPMF] | System PLL Multiplication Factor |
|------------|----------------------------------|
| 0000 | Reserved |
| 0001 | Reserved |
| 0010 | × 2 |
| 0011 | × 3 |
| 0100 | × 4 |
| 0101 | × 5 |
| 0110–1111 | Reserved |

As described in [Section 24, “Clocking,”](#) The LBCM, DDRCM, and SPMF parameters in the reset configuration word low and the `CFG_SYS_CLKIN_DIV` configuration input signal select the ratio between the primary clock input (`SYS_CLK_IN` or `PCI_CLK`) and the internal coherent system bus clock (`csb_clk`). [Table 74](#) and [Table 75](#) shows the expected frequency values for the CSB frequency for select `csb_clk` to `SYS_CLK_IN/PCI_SYNC_IN` ratios.

Table 74. CSB Frequency Options for Host Mode

| <code>CFG_SYS_CLKIN_DIV</code> at Reset ¹ | SPMF | <code>csb_clk</code> : Input Clock Ratio ² | Input Clock Frequency (MHz) ² | | |
|---|------|---|---|-------|-------|
| | | | 24 | 33.33 | 66.67 |
| High/Low ³ | 0010 | 2:1 | | | 133 |
| High/Low | 0011 | 3:1 | | 100 | — |
| High/Low | 0100 | 4:1 | 96 | 133 | — |
| High/Low | 0101 | 5:1 | 120 | — | — |

¹ `CFG_SYS_CLKIN_DIV` select the ratio between `SYS_CLK_IN` and `PCI_SYNC_OUT`.

² `SYS_CLK_IN` is the input clock in host mode; `PCI_CLK` is the input clock in agent mode.

³ In the Host mode it does not matter if the value is High or Low.

Table 75. CSB Frequency Options for Agent Mode

| <code>CFG_SYS_CLKIN_DIV</code> at Reset ¹ | SPMF | <code>csb_clk</code> : Input Clock Ratio ² | Input Clock frequency (MHz) ² | | |
|---|------|---|---|-------|-------|
| | | | 25 | 33.33 | 66.67 |
| High | 0010 | 2: 1 | | | 133 |
| High | 0011 | 3: 1 | | 100 | — |
| High | 0100 | 4: 1 | | 133 | — |
| High | 0101 | 5: 1 | 120 | — | — |

¹ `CFG_SYS_CLKIN_DIV` doubles `csb_clk` if set low.

² `SYS_CLK_IN` is the input clock in host mode; `PCI_CLK` is the input clock in agent mode.

24.2 Core PLL Configuration

RCWL[COREPLL] selects the ratio between the internal coherent system bus clock (*csb_clk*) and the e300 core clock (*core_clk*). Table 76 shows the encodings for RCWL[COREPLL]. COREPLL values that are not listed in Table 76 should be considered as reserved.

NOTE

Core VCO frequency = core frequency × VCO divider

VCO divider has to be set properly so that the core VCO frequency is in the range of 400–800 MHz.

Table 76. e300 Core PLL Configuration

| RCWL[COREPLL] | | | <i>core_clk</i> : <i>csb_clk</i> Ratio | VCO Divider ¹ |
|---------------|------|---|--|--|
| 0–1 | 2–5 | 6 | | |
| nn | 0000 | 0 | PLL bypassed (PLL off, <i>csb_clk</i> clocks core directly) | PLL bypassed (PLL off, <i>csb_clk</i> clocks core directly) |
| 11 | nnnn | n | N/A | N/A |
| 00 | 0001 | 0 | 1:1 | 2 |
| 01 | 0001 | 0 | 1:1 | 4 |
| 00 | 0001 | 1 | 1.5:1 | 2 |
| 01 | 0001 | 1 | 1.5:1 | 4 |
| 00 | 0010 | 0 | 2:1 | 2 |
| 01 | 0010 | 0 | 2:1 | 4 |
| 00 | 0010 | 1 | 2.5:1 | 2 |
| 01 | 0010 | 1 | 2.5:1 | 4 |
| 00 | 0011 | 0 | 3:1 | 2 |
| 01 | 0011 | 0 | 3:1 | 4 |

¹ Core VCO frequency = core frequency × VCO divider.

24.3 Suggested PLL Configurations

To simplify the PLL configurations, the MPC8315E might be separated into two clock domains. The first domain contain the CSB PLL and the core PLL. The core PLL is connected serially to the CSB PLL, and has the *csb_clk* as its input clock. The clock domains are independent, and each of their PLLs are configured separately. Both of the domains has one common input clock. Table 77 shows suggested PLL configurations for 33, 25, and 66 MHz input clocks.

Table 77. Suggested PLL Configurations

| Conf. No. | SPMF | Core\PLL | Input Clock Frequency (MHz) | CSB Frequency (MHz) | Core Frequency (MHz) |
|-----------|------|----------|-----------------------------|---------------------|----------------------|
| 1 | 0100 | 0000100 | 33.33 | 133.33 | 266.66 |
| 3 | 0010 | 0000100 | 66.67 | 133.33 | 266.66 |
| 4 | 0100 | 0000101 | 33.33 | 133.33 | 333.33 |
| 5 | 0101 | 0000101 | 25 | 125 | 312.5 |

Table 77. Suggested PLL Configurations

| Conf. No. | SPMF | Core\PLL | Input Clock Frequency (MHz) | CSB Frequency (MHz) | Core Frequency (MHz) |
|-----------|------|----------|-----------------------------|---------------------|----------------------|
| 6 | 0010 | 0000101 | 66.67 | 133.33 | 333.33 |
| 7 | 0101 | 0000110 | 25 | 125 | 375 |
| 8 | 0100 | 0000110 | 33.33 | 133.33 | 400 |
| 9 | 0010 | 0000110 | 66.67 | 133.33 | 400 |

25 Thermal

This section describes the thermal specifications of the MPC8315E.

25.1 Thermal Characteristics

This table provides the package thermal characteristics for the 620 29 × 29 mm TEPBGA II.

Table 78. Package Thermal Characteristics for TEPBGA II

| Characteristic | Board type | Symbol | Value | Unit | Note |
|--|-------------------------|------------------|-------|------|---------|
| Junction to ambient natural convection | Single layer board (1s) | $R_{\theta JA}$ | 23 | °C/W | 1, 2 |
| Junction to ambient natural convection | Four layer board (2s2p) | $R_{\theta JA}$ | 16 | °C/W | 1, 2, 3 |
| Junction to ambient (@200 ft/min) | Single layer board (1s) | $R_{\theta JMA}$ | 18 | °C/W | 1, 3 |
| Junction to ambient (@200 ft/min) | Four layer board (2s2p) | $R_{\theta JMA}$ | 13 | °C/W | 1, 3 |
| Junction to board | — | $R_{\theta JB}$ | 8 | °C/W | 4 |
| Junction to case | — | $R_{\theta JC}$ | 6 | °C/W | 5 |
| Junction to package top | Natural convection | Ψ_{JT} | 6 | °C/W | 6 |

Note:

1. Junction temperature is a function of die size, on-chip power dissipation, package thermal resistance, mounting site (board) temperature, ambient temperature, air flow, power dissipation of other components on the board, and board thermal resistance.
2. Per JEDEC JESD51-2 with the single layer board horizontal. Board meets JESD51-9 specification.
3. Per JEDEC JESD51-6 with the board horizontal.
4. Thermal resistance between the die and the printed circuit board per JEDEC JESD51-8. Board temperature is measured on the top surface of the board near the package.
5. Thermal resistance between the die and the case top surface as measured by the cold plate method (MIL SPEC-883 Method 1012.1).
6. Thermal characterization parameter indicating the temperature difference between package top and the junction temperature per JEDEC JESD51-2. When Greek letters are not available, the thermal characterization parameter is written as Psi-JT.

25.2 Thermal Management Information

For the following sections, $P_D = (V_{DD} \times I_{DD}) + P_{I/O}$ where $P_{I/O}$ is the power dissipation of the I/O drivers.

25.2.1 Estimation of Junction Temperature with Junction-to-Ambient Thermal Resistance

An estimation of the chip junction temperature, T_J , can be obtained from the equation:

$$T_J = T_A + (R_{\theta JA} \times P_D)$$

where:

T_J = junction temperature ($^{\circ}\text{C}$)

T_A = ambient temperature for the package ($^{\circ}\text{C}$)

$R_{\theta JA}$ = junction to ambient thermal resistance ($^{\circ}\text{C}/\text{W}$)

P_D = power dissipation in the package (W)

The junction to ambient thermal resistance is an industry standard value that provides a quick and easy estimation of thermal performance. As a general statement, the value obtained on a single layer board is appropriate for a tightly packed printed circuit board. The value obtained on the board with the internal planes is usually appropriate if the board has low power dissipation and the components are well separated. Test cases have demonstrated that errors of a factor of two (in the quantity $T_J - T_A$) are possible.

25.2.2 Estimation of Junction Temperature with Junction-to-Board Thermal Resistance

The thermal performance of a device cannot be adequately predicted from the junction to ambient thermal resistance. The thermal performance of any component is strongly dependent on the power dissipation of surrounding components. In addition, the ambient temperature varies widely within the application. For many natural convection and especially closed box applications, the board temperature at the perimeter (edge) of the package is approximately the same as the local air temperature near the device. Specifying the local ambient conditions explicitly as the board temperature provides a more precise description of the local ambient conditions that determine the temperature of the device.

At a known board temperature, the junction temperature is estimated using the following equation:

$$T_J = T_B + (R_{\theta JB} \times P_D)$$

where:

T_J = junction temperature ($^{\circ}\text{C}$)

T_B = board temperature at the package perimeter ($^{\circ}\text{C}$)

$R_{\theta JB}$ = junction to board thermal resistance ($^{\circ}\text{C}/\text{W}$) per JESD51-8

P_D = power dissipation in the package (W)

When the heat loss from the package case to the air can be ignored, acceptable predictions of junction temperature can be made. The application board should be similar to the thermal test condition: the component is soldered to a board with internal planes.

25.2.3 Experimental Determination of Junction Temperature

To determine the junction temperature of the device in the application after prototypes are available, the Thermal Characterization Parameter (Ψ_{JT}) can be used to determine the junction temperature with a measurement of the temperature at the top center of the package case using the following equation:

$$T_J = T_T + (\Psi_{JT} \times P_D)$$

where:

T_J = junction temperature (°C)

T_T = thermocouple temperature on top of package (°C)

Ψ_{JT} = junction to ambient thermal resistance (°C/W)

P_D = power dissipation in the package (W)

The thermal characterization parameter is measured per JESD51-2 specification using a 40 gauge type T thermocouple epoxied to the top center of the package case. The thermocouple should be positioned so that the thermocouple junction rests on the package. A small amount of epoxy is placed over the thermocouple junction and over about 1 mm of wire extending from the junction. The thermocouple wire is placed flat against the package case to avoid measurement errors caused by cooling effects of the thermocouple wire.

25.2.4 Heat Sinks and Junction-to-Case Thermal Resistance

In some application environments, a heat sink is required to provide the necessary thermal management of the device. When a heat sink is used, the thermal resistance is expressed as the sum of a junction to case thermal resistance and a case to ambient thermal resistance:

$$R_{\theta JA} = R_{\theta JC} + R_{\theta CA}$$

where:

$R_{\theta JA}$ = junction to ambient thermal resistance (°C/W)

$R_{\theta JC}$ = junction to case thermal resistance (°C/W)

$R_{\theta CA}$ = case to ambient thermal resistance (°C/W)

$R_{\theta JC}$ is device related and cannot be influenced by the user. The user controls the thermal environment to change the case to ambient thermal resistance, $R_{\theta CA}$. For instance, the user can change the size of the heat sink, the air flow around the device, the interface material, the mounting arrangement on printed circuit board, or change the thermal dissipation on the printed circuit board surrounding the device.

To illustrate the thermal performance of the devices with heat sinks, the thermal performance has been simulated with a few commercially available heat sinks. The heat sink choice is determined by the application environment (temperature, air flow, adjacent component power dissipation) and the physical space available. Because there is not a standard application environment, a standard heat sink is not required.

Table 79. Heat Sinks and Junction-to-Case Thermal Resistance of MPC8315E TEPBGA II

| Heat Sink Assuming Thermal Grease | Air Flow | 29 × 29 mm TEBGA II |
|------------------------------------|--------------------|--|
| | | Junction-to-Ambient Thermal Resistance |
| AAVID 30 x 30 x 9.4 mm Pin Fin | Natural Convection | 14.4 |
| AAVID 30 x 30 x 9.4 mm Pin Fin | 0.5 m/s | 11.4 |
| AAVID 30 x 30 x 9.4 mm Pin Fin | 1 m/s | 10.1 |
| AAVID 30 x 30 x 9.4 mm Pin Fin | 2 m/s | 8.9 |
| AAVID 35 x 31 x 23 mm Pin Fin | Natural Convection | 12.3 |
| AAVID 35 x 31 x 23 mm Pin Fin | 0.5 m/s | 9.3 |
| AAVID 35 x 31 x 23 mm Pin Fin | 1 m/s | 8.5 |
| AAVID 35 x 31 x 23 mm Pin Fin | 2 m/s | 7.9 |
| AAVID 43 x 41 x 16.5 mm Pin Fin | Natural Convection | 12.5 |
| AAVID 43 x 41 x 16.5 mm Pin Fin | 0.5 m/s | 9.7 |
| AAVID 43 x 41 x 16.5 mm Pin Fin | 1 m/s | 8.5 |
| AAVID 43 x 41 x 16.5 mm Pin Fin | 2 m/s | 7.7 |
| Wakefield, 53 x 53 x 25 mm Pin Fin | Natural Convection | 10.9 |
| Wakefield, 53 x 53 x 25 mm Pin Fin | 0.5 m/s | 8.5 |
| Wakefield, 53 x 53 x 25 mm Pin Fin | 1 m/s | 7.5 |
| Wakefield, 53 x 53 x 25 mm Pin Fin | 2 m/s | 7.1 |

Accurate thermal design requires thermal modeling of the application environment using computational fluid dynamics software which can model both the conduction cooling and the convection cooling of the air moving through the application. Simplified thermal models of the packages can be assembled using the junction-to-case and junction-to-board thermal resistances listed in the thermal resistance table. More detailed thermal models can be made available on request.

Heat sink vendors include the following list:

Aavid Thermalloy 603-224-9988
 80 Commercial St.
 Concord, NH 03301
 Internet: www.aavidthermalloy.com

Alpha Novatech 408-749-7601
 473 Sapena Ct. #12
 Santa Clara, CA 95054
 Internet: www.alphanovatech.com

International Electronic Research Corporation (IERC) 818-842-7277
 413 North Moss St.
 Burbank, CA 91502
 Internet: www.ctscorp.com

| | |
|--|--------------|
| Millennium Electronics (MEI) Loroco Sites 671 East Brokaw Road San Jose, CA 95112 Internet: www.mei-thermal.com | 408-436-8770 |
| Tyco Electronics Chip Coolers™ P.O. Box 3668 Harrisburg, PA 17105 Internet: www.tycoelectronics.com | 800-522-6752 |
| Wakefield Engineering 33 Bridge St. Pelham, NH 03076 Internet: www.wakefield.com | 603-635-2800 |

Interface material vendors include the following:

| | |
|---|--------------|
| Chomerics, Inc. 77 Dragon Ct. Woburn, MA 01801 Internet: www.chomerics.com | 781-935-4850 |
| Dow-Corning Corporation Corporate Center PO BOX 994 Midland, MI 48686-0994 Internet: www.dowcorning.com | 800-248-2481 |
| Shin-Etsu MicroSi, Inc. 10028 S. 51st St. Phoenix, AZ 85044 Internet: www.microsi.com | 888-642-7674 |
| The Bergquist Company 18930 West 78th St. Chanhassen, MN 55317 Internet: www.bergquistcompany.com | 800-347-4572 |

25.3 Heat Sink Attachment

When attaching heat sinks to these devices, an interface material is required. The best method is to use thermal grease and a spring clip. The spring clip should connect to the printed circuit board, either to the board itself, to hooks soldered to the board, or to a plastic stiffener. Avoid attachment forces which would lift the edge of the package or peel the package from the board. Such peeling forces reduce the solder joint lifetime of the package. Recommended maximum force on the top of the package is 10 lb force (45 Newtons). If an adhesive attachment is planned, the adhesive should be intended for attachment to painted or plastic surfaces and its performance verified under the application requirements.

25.3.1 Experimental Determination of the Junction Temperature with a Heat Sink

When heat sink is used, the junction temperature is determined from a thermocouple inserted at the interface between the case of the package and the interface material. A clearance slot or hole is normally required in the heat sink. Minimizing the size of the clearance is important to minimize the change in thermal performance caused by removing part of the thermal interface to the heat sink temperature and then back calculate the case temperature using a separate measurement of the thermal resistance of the interface. From this case temperature, the junction temperature is determined from the junction to case thermal resistance.

$$T_J = T_C + (R_{\theta JC} \times P_D)$$

Where

T_C is the case temperature of the package

$R_{\theta JC}$ is the junction-to-case thermal resistance

P_D is the power dissipation

26 System Design Information

This section provides electrical and thermal design recommendations for successful application of the MPC8315E.

26.1 System Clocking

The MPC8315E includes two PLLs.

1. The platform PLL (AVDD2) generates the platform clock from the externally supplied SYS_CLK_IN input. The frequency ratio between the platform and SYS_CLK_IN is selected using the platform PLL ratio configuration bits as described in [Section 24.1, “System PLL Configuration.”](#)
2. The e300 Core PLL (AVDD1) generates the core clock as a slave to the platform clock. The frequency ratio between the e300 core clock and the platform clock is selected using the e300 PLL ratio configuration bits as described in [Section 24.2, “Core PLL Configuration.”](#)

26.2 PLL Power Supply Filtering

Each of the PLLs listed above is provided with power through independent power supply pins (AVDD1, AVDD2 respectively). The AV_{DD} level should always be equivalent to VDD, and preferably these voltages are derived directly from VDD through a low frequency filter scheme such as the following.

There are a number of ways to reliably provide power to the PLLs, but the recommended solution is to provide independent filter circuits as illustrated in [Figure 63](#), one to each of the AV_{DD} pins. By providing independent filters to each PLL the opportunity to cause noise injection from one PLL to the other is reduced.

This circuit is intended to filter noise in the PLLs resonant frequency range from a 500 kHz to 10 MHz range. It should be built with surface mount capacitors with minimum Effective Series Inductance (ESL). Consistent with the recommendations of Dr. Howard Johnson in *High Speed Digital Design: A Handbook of Black Magic* (Prentice Hall, 1993), multiple small capacitors of equal value are recommended over a single large value capacitor.

Each circuit should be placed as close as possible to the specific AV_{DD} pin being supplied to minimize noise coupled from nearby circuits. It should be possible to route directly from the capacitors to the AV_{DD} pin, which is on the periphery of package, without the inductance of vias. Note that the RC filter results in lower voltage level on AV_{DD} . This does not imply that the DC specification can be relaxed.

This figure shows the PLL power supply filter circuit.

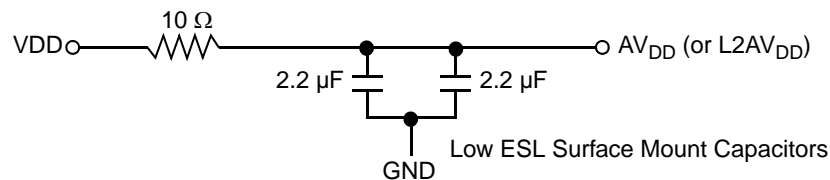


Figure 63. PLL Power Supply Filter Circuit

26.3 Decoupling Recommendations

Due to large address and data buses, and high operating frequencies, the device can generate transient power surges and high frequency noise in its power supply, especially while driving large capacitive loads. This noise must be prevented from reaching other components in the MPC8315E system, and the MPC8315E itself requires a clean, tightly regulated source of power. Therefore, it is recommended that the system designer place at least one decoupling capacitor at each VDD, NVDD, GVDD, and LVDD pins of the device. These decoupling capacitors should receive their power from separate VDD, NVDD, GVDD, LVDD, and GND power planes in the PCB, utilizing thick and short traces to minimize inductance. Capacitors may be placed directly under the device using a standard escape pattern. Others may surround the part.

These capacitors should have a value of 0.01 or 0.1 μF . Only ceramic SMT (surface mount technology) capacitors should be used to minimize lead inductance, preferably 0402 or 0603 sizes.

In addition, it is recommended that there be several bulk storage capacitors distributed around the PCB, feeding the VDD, NVDD, GVDD, and LVDD planes, to enable quick recharging of the smaller chip capacitors. These bulk capacitors should have a low ESR (equivalent series resistance) rating to ensure the quick response time necessary. They should also be connected to the power and ground planes through two vias to minimize inductance. Suggested bulk capacitors—100–330 μF (AVX TPS tantalum or Sanyo OSCON).

26.4 Connection Recommendations

To ensure reliable operation, it is highly recommended to connect unused inputs to an appropriate signal level. Unused active low inputs should be tied to NVDD, GVDD, or LVDD as required. Unused active high inputs should be connected to GND. All NC (no-connect) signals must remain unconnected.

Power and ground connections must be made to all external VDD, GVDD, LVDD, NVDD, and GND pins of the device.

26.5 Output Buffer DC Impedance

The MPC8315E drivers are characterized over process, voltage, and temperature. For all buses, the driver is a push-pull single-ended driver type (open drain for I²C).

To measure Z_0 for the single-ended drivers, an external resistor is connected from the chip pad to NVDD or GND. Then, the value of each resistor is varied until the pad voltage is NVDD/2 (see Figure 64). The output impedance is the average of two components, the resistances of the pull-up and pull-down devices. When data is held high, SW1 is closed (SW2 is open) and R_P is trimmed until the voltage at the pad equals NVDD/2. R_P then becomes the resistance of the pull-up devices. R_P and R_N are designed to be close to each other in value. Then, $Z_0 = (R_P + R_N)/2$.

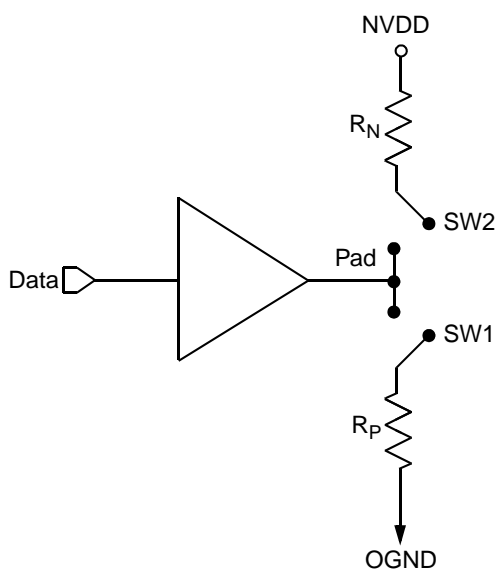


Figure 64. Driver Impedance Measurement

The value of this resistance and the strength of the driver's current source can be found by making two measurements. First, the output voltage is measured while driving logic 1 without an external differential termination resistor. The measured voltage is $V_1 = R_{source} \times I_{source}$. Second, the output voltage is measured while driving logic 1 with an external precision differential termination resistor of value R_{term} . The measured voltage is $V_2 = (1/(1/R_1 + 1/R_2)) \times I_{source}$. Solving for the output impedance gives $R_{source} = R_{term} \times (V_1/V_2 - 1)$. The drive current is then $I_{source} = V_1/R_{source}$.

This table summarizes the signal impedance targets. The driver impedance are targeted at minimum VDD, nominal NVDD, 105°C.

Table 80. Impedance Characteristics

| Impedance | Local Bus, Ethernet, DUART, Control, Configuration, Power Management | PCI Signals (not including PCI Output Clocks) | PCI Output Clocks (including PCI_SYNC_OUT) | DDR DRAM | Symbol | Unit |
|--------------|--|---|--|-----------|------------|----------|
| R_N | 42 Target | 25 Target | 42 Target | 20 Target | Z_0 | Ω |
| R_P | 42 Target | 25 Target | 42 Target | 20 Target | Z_0 | Ω |
| Differential | NA | NA | NA | NA | Z_{DIFF} | Ω |

Note: Nominal supply voltages. See [Table 1](#), $T_j = 105^\circ\text{C}$.

26.6 Configuration Pin Multiplexing

The MPC8315E provides the user with power-on configuration options that can be set through the use of external pull-up or pull-down resistors of 4.7 k Ω on certain output pins (see customer visible configuration pins). These pins are generally used as output only pins in normal operation.

While $\overline{\text{HRESET}}$ is asserted however, these pins are treated as inputs. The value presented on these pins while $\overline{\text{HRESET}}$ is asserted, is latched when $\overline{\text{PORESET}}$ deasserts, at which time the input receiver is disabled and the I/O circuit takes on its normal function. Careful board layout with stubless connections to these pull-up/pull-down resistors coupled with the large value of the pull-up/pull-down resistor should minimize the disruption of signal quality or speed for output pins thus configured.

26.7 Pull-Up Resistor Requirements

The MPC8315E requires high resistance pull-up resistors (10 k Ω is recommended) on open drain type pins including I²C pins and EPIC interrupt pins.

For more information on required pull up resistors and the connections required for JTAG interface, see AN3438, MPC8315 Design Checklist

27 Ordering Information

Ordering information for the parts fully covered by this specification document is provided in [Section 27.1, “Part Numbers Fully Addressed by this Document.”](#)

27.1 Part Numbers Fully Addressed by this Document

This table provides the Freescale part numbering nomenclature for the MPC8315E. Note that the individual part numbers correspond to a maximum processor core frequency. For available frequencies, contact your local Freescale sales office. In addition to the processor frequency, the part numbering scheme

also includes an application modifier which may specify special application conditions. Each part number also contains a revision code which refers to the die mask revision number.

Table 81. Part Numbering Nomenclature

| MPC | 8315 | E | C | VR | AG | D | A |
|---------------------|------------------------|--------------------------------------|--|----------------------------|--|----------------------|--------------------------------------|
| Product Code | Part Identifier | Encryption Acceleration | Temperature Range³ | Package¹ | e300 Core Frequency² | DDR Frequency | Revision Level |
| MPC | 8315 | Blank = Not included E = included | Blank = 0 to 105°C C = -40 to 105°C | VR= Pb Free TEPBGA II | AD = 266 MHz AF = 333 MHz AG = 400 MHz | D = 266 MHz | Contact local Freescale sales office |

Note:

1. See [Section 23, "Package and Pin Listings,"](#) for more information on available package types.
2. Processor core frequencies supported by parts addressed by this specification only. Not all parts described in this specification support all core frequencies. Additionally, parts addressed by electric may support other maximum core frequencies.
3. Contact your local Freescale field applications engineer (FAE).

This table shows the SVR settings by device and package type.

Table 82. SVR Settings

| Device | Package | SVR (Rev 1.0) | SVR (Rev 1.1) | SVR (Rev 1.2) |
|---------------|----------------|----------------------|----------------------|----------------------|
| MPC8315E | TEPBGA II | 0x80B4_0010 | 0x80B4_0011 | 0x80B4_0012 |
| MPC8315 | TEPBGA II | 0x80B5_0010 | 0x80B5_0011 | 0x80B5_0012 |

Note:

1. PVR = 8085_0020 for all devices and revisions in this table.

28 Revision History

This table summarizes a revision history for this document.

Table 83. Revision History

| Revision | Date | Substantive Change(s) |
|----------|---------|---|
| 2 | 11/2011 | <ul style="list-style-type: none"> • In Table 70: <ul style="list-style-type: none"> – Corrected Note 11 to pull down. – Note 10 added to RESREF pin. Removed all other instances of Note 10. – Added pull up information. |
| 1 | 11/2011 | <ul style="list-style-type: none"> • Added Notes 4, 5, 6, and 7 in Table 2. • In Table 6: <ul style="list-style-type: none"> – Decoupled PCI_CLK and SYS_CLK_IN rise and fall times. – Relaxed maximum rise/fall time of SYS_CLK_IN from 1.2 ns to 4 ns. – Modified Note 2. – Updated SYS_CLK_IN/PCI_CLK frequency from 66 MHz to 66.67 MHz. • Added Note 4 to Table 9. • Added a note stating “eTSEC should be interfaced with peripheral operating at same voltage level.” in Section 9.1.1, “MII, RMII, RGMII, and RTBI DC Electrical Characteristics.” • Added a note in Table 26 stating “The frequency of RX_CLK should not exceed the TX_CLK by more than 300 ppm.” • Added a note in Table 29 stating “The frequency of RX_CLK should not exceed the GTX_CLK125 by more than 300 ppm • In Table 42, changed min/max values of t_{CLK_TOL} from 0.05 to 0.005. • Added $t_{LALEHOV}$ parameter to Table 44 • Replaced 50 with 50 Ω in Section 16.5, “Receiver Compliance Eye Diagrams.” • In Table 70: <ul style="list-style-type: none"> – Added Pull up and Pull down information. – Removed Note 2 from TSEC_MDIO. • Removed configuration 2 from Table 77. • Removed Preliminary from Section 25, “Thermal.” • Removed MDIO signal from Section 26.7, “Pull-Up Resistor Requirements” as this signal is not open drain. • Replaced LCCR with LCRR throughout. • Replaced SYS_CLKIN with SYS_CLK_IN throughout. • Replaced all LBIUCM with LBCM. • Replaced all SYS_CR_CLK_IN and SYS_CR_CLK_OUT with SYS_XTAL_IN and SYS_XTAL_OUT, respectively. Replaced all USB_CR_CLK_IN and USB_CR_CLK_OUT with USB_XTAL_IN and USB_XTAL_OUT, respectively. • Added rise/fall time spec for TDM CLK |
| 0 | 05/2009 | Initial public release |

How to Reach Us:

Home Page:

www.freescale.com

Web Support:

<http://www.freescale.com/support>

USA/Europe or Locations Not Listed:

Freescale Semiconductor, Inc.
 Technical Information Center, EL516
 2100 East Elliot Road
 Tempe, Arizona 85284
 1-800-521-6274 or
 +1-480-768-2130
www.freescale.com/support

Europe, Middle East, and Africa:

Freescale Halbleiter Deutschland GmbH
 Technical Information Center
 Schatzbogen 7
 81829 Muenchen, Germany
 +44 1296 380 456 (English)
 +46 8 52200080 (English)
 +49 89 92103 559 (German)
 +33 1 69 35 48 48 (French)
www.freescale.com/support

Japan:

Freescale Semiconductor Japan Ltd.
 Headquarters
 ARCO Tower 15F
 1-8-1, Shimo-Meguro, Meguro-ku
 Tokyo 153-0064
 Japan
 0120 191014 or
 +81 3 5437 9125
support.japan@freescale.com

Asia/Pacific:

Freescale Semiconductor China Ltd.
 Exchange Building 23F
 No. 118 Jianguo Road
 Chaoyang District
 Beijing 100022
 China
 +86 10 5879 8000
support.asia@freescale.com

For Literature Requests Only:

Freescale Semiconductor
 Literature Distribution Center
 1-800 441-2447 or
 +1-303-675-2140
 Fax: +1-303-675-2150
LDCForFreescaleSemiconductor@hibbertgroup.com

Information in this document is provided solely to enable system and software implementers to use Freescale Semiconductor products. There are no express or implied copyright licenses granted hereunder to design or fabricate any integrated circuits or integrated circuits based on the information in this document.

Freescale Semiconductor reserves the right to make changes without further notice to any products herein. Freescale Semiconductor makes no warranty, representation or guarantee regarding the suitability of its products for any particular purpose, nor does Freescale Semiconductor assume any liability arising out of the application or use of any product or circuit, and specifically disclaims any and all liability, including without limitation consequential or incidental damages. "Typical" parameters which may be provided in Freescale Semiconductor data sheets and/or specifications can and do vary in different applications and actual performance may vary over time. All operating parameters, including "Typicals" must be validated for each customer application by customer's technical experts. Freescale Semiconductor does not convey any license under its patent rights nor the rights of others. Freescale Semiconductor products are not designed, intended, or authorized for use as components in systems intended for surgical implant into the body, or other applications intended to support or sustain life, or for any other application in which the failure of the Freescale Semiconductor product could create a situation where personal injury or death may occur. Should Buyer purchase or use Freescale Semiconductor products for any such unintended or unauthorized application, Buyer shall indemnify and hold Freescale Semiconductor and its officers, employees, subsidiaries, affiliates, and distributors harmless against all claims, costs, damages, and expenses, and reasonable attorney fees arising out of, directly or indirectly, any claim of personal injury or death associated with such unintended or unauthorized use, even if such claim alleges that Freescale Semiconductor was negligent regarding the design or manufacture of the part.

Freescale and the Freescale logo are trademarks of Freescale Semiconductor, Inc. Reg. U.S. Pat. & Tm. Off. QorIQ is a trademark of Freescale Semiconductor, Inc. All other product or service names are the property of their respective owners. The Power Architecture and Power.org word marks and the Power and Power.org logos and related marks are trademarks and service marks licensed by Power.org.
 © 2011 Freescale Semiconductor, Inc.



Looking for pricing, stock, or lifecycle information?

Click below to explore more details on WIN SOURCE:

- ⊖ [View MPC8315VRAGDA on WIN SOURCE](#)
- ⊖ [Freescale Semiconductor - NXP Information](#)

Optimize Your Supply Chain with WIN SOURCE Solutions

- ✓ Global Sourcing Solution
- ✓ Obsolete Management
- ✓ Cost Control Management
- ✓ Shortage Management
- ✓ Alternative Solution
- ✓ Excess Inventory Management