



**THE DATASHEET OF
MM74HC4053MX**



MM74HC4051 • MM74HC4052 • MM74HC4053

8-Channel Analog Multiplexer • Dual 4-Channel Analog Multiplexer • Triple 2-Channel Analog Multiplexer

General Description

The MM74HC4051, MM74HC4052 and MM74HC4053 multiplexers are digitally controlled analog switches implemented in advanced silicon-gate CMOS technology. These switches have low "on" resistance and low "off" leakages. They are bidirectional switches, thus any analog input may be used as an output and vice-versa. Also these switches contain linearization circuitry which lowers the on resistance and increases switch linearity. These devices allow control of up to $\pm 6V$ (peak) analog signals with digital control signals of 0 to 6V. Three supply pins are provided for V_{CC} , ground, and V_{EE} . This enables the connection of 0–5V logic signals when $V_{CC} = 5V$ and an analog input range of $\pm 5V$ when $V_{EE} = 5V$. All three devices also have an inhibit control which when HIGH will disable all switches to their off state. All analog inputs and outputs and digital inputs are protected from electrostatic damage by diodes to V_{CC} and ground.

MM74HC4051: This device connects together the outputs of 8 switches, thus achieving an 8 channel Multiplexer. The binary code placed on the A, B, and C select lines determines which one of the eight switches is "on", and connects one of the eight inputs to the common output.

MM74HC4052: This device connects together the outputs of 4 switches in two sets, thus achieving a pair of 4-channel multiplexers. The binary code placed on the A, and B select lines determine which switch in each 4 channel section is "on", connecting one of the four inputs in each section to its common output. This enables the implementation of a 4-channel differential multiplexer.

MM74HC4053: This device contains 6 switches whose outputs are connected together in pairs, thus implementing a triple 2 channel multiplexer, or the equivalent of 3 single-pole-double throw configurations. Each of the A, B, or C select lines independently controls one pair of switches, selecting one of the two switches to be "on".

Features

- Wide analog input voltage range: $\pm 6V$
- Low "on" resistance:
 - 50 typ. ($V_{CC} - V_{EE} = 4.5V$)
 - 30 typ. ($V_{CC} - V_{EE} = 9V$)
- Logic level translation to enable 5V logic with $\pm 5V$ analog signals
- Low quiescent current: 80 μA maximum (74HC)
- Matched Switch characteristic

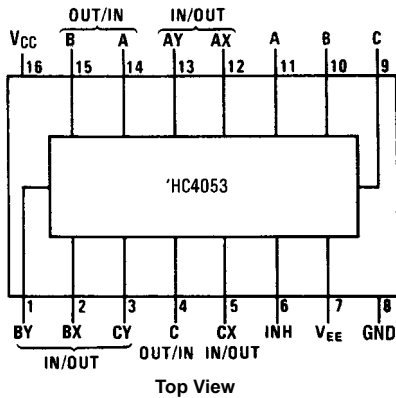
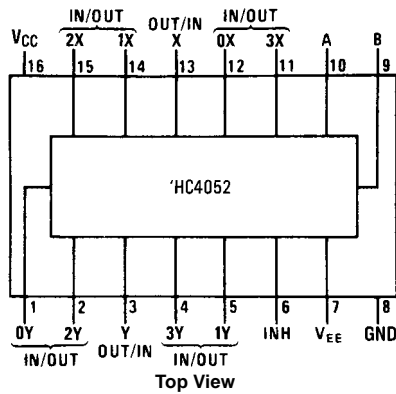
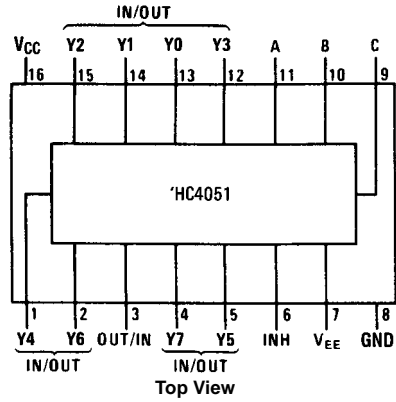
Ordering Code:

Order Number	Package Number	Package Description
MM74HC4051M	M16A	16-Lead Small Outline Integrated Circuit (SOIC), JEDEC MS-012, 0.150" Narrow
MM74HC4051WM	M16B	16-Lead Small Outline Integrated Circuit (SOIC), JEDEC MS-013, 0.300" Wide
MM74HC4051SJ	M16D	16-Lead Small Outline Package (SOP), EIAJ TYPE II, 5.3mm Wide
MM74HC4051MTC	MTC16	16-Lead Thin Shrink Small Outline Package (TSSOP), JEDEC MO-153, 4.4mm Wide
MM74HC4051N	N16E	16-Lead Plastic Dual-In-Line Package (PDIP), JEDEC MS-0010.300" Wide
MM74HC4052M	M16A	16-Lead Small Outline Integrated Circuit (SOIC), JEDEC MS-012, 0.150" Narrow
MM74HC4052WM	M16B	16-Lead Small Outline Integrated Circuit (SOIC), JEDEC MS-013, 0.300" Wide
MM74HC4052SJ	M16D	16-Lead Small Outline Package (SOP), EIAJ TYPE II, 5.3mm Wide
MM74HC4052MTC	MTC16	16-Lead Thin Shrink Small Outline Package (TSSOP), JEDEC MO-153, 4.4mm Wide
MM74HC4052N	N16E	16-Lead Plastic Dual-In-Line Package (PDIP), JEDEC MS-0010.300" Wide
MM74HC4053M	M16A	16-Lead Small Outline Integrated Circuit (SOIC), JEDEC MS-012, 0.150" Narrow
MM74HC4053WM	M16B	16-Lead Small Outline Integrated Circuit (SOIC), JEDEC MS-013, 0.300" Wide
MM74HC4053SJ	M16D	16-Lead Small Outline Package (SOP), EIAJ TYPE II, 5.3mm Wide
MM74HC4053MTC	MTC16	16-Lead Thin Shrink Small Outline Package (TSSOP), JEDEC MO-153, 4.4mm Wide
MM74HC4053N	N16E	16-Lead Plastic Dual-In-Line Package (PDIP), JEDEC MS-0010.300" Wide

Devices also available in Tape and Reel. Specify by appending the suffix letter "X" to the ordering code.

Connection Diagrams

Pin Assignments for DIP, SOIC, SOP and TSSOP



Truth Tables

MM744051

Inh	Input			"ON" Channel
	C	B	A	
H	X	X	X	None
L	L	L	L	Y0
L	L	L	H	Y1
L	L	H	L	Y2
L	L	H	H	Y3
L	H	L	L	Y4
L	H	L	H	Y5
L	H	H	L	Y6
L	H	H	H	Y7

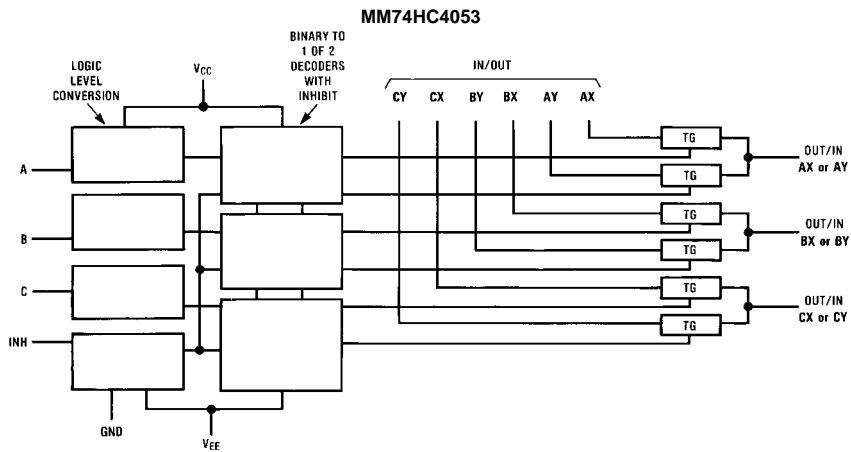
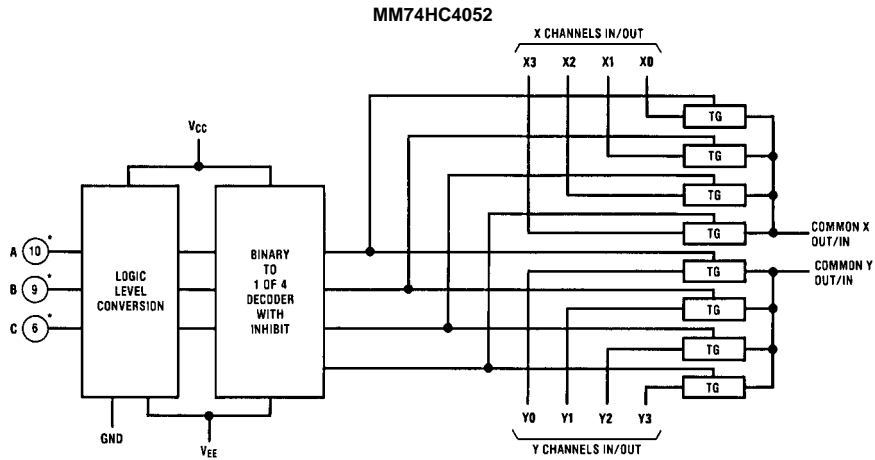
MM744052

Inh	Inputs		"ON" Channels	
	B	A	X	Y
H	X	X	None	None
L	L	L	0X	0Y
L	L	H	1X	1Y
L	H	L	2X	2Y
L	H	H	3X	3Y

MM744053

Inh	Input			"ON" Channels		
	C	B	A	C	b	a
H	X	X	X	None	None	None
L	L	L	L	CX	BX	AX
L	L	L	H	CX	BX	AY
L	L	H	L	CX	BY	AX
L	L	H	H	CX	BY	AY
L	H	L	L	CY	BX	AX
L	H	L	H	CY	BX	AY
L	H	H	L	CY	BY	AX
L	H	H	H	CY	BY	AY

Logic Diagrams



MM74HC4051 • MM74HC4052 • MM74HC4053

Absolute Maximum Ratings (Note 1)				Recommended Operating Conditions						
(Note 2)										
Supply Voltage (V_{CC})	-0.5 to +7.5V			Supply Voltage (V_{CC})	Min	Max	Units			
Supply Voltage (V_{EE})	+0.5 to -7.5V			Supply Voltage (V_{EE})	2	6	V			
Control Input Voltage (V_{IN})	-1.5 to V_{CC} +1.5V			Supply Voltage (V_{EE})	0	-6	V			
Switch I/O Voltage (V_{IO})	V_{EE} -0.5 to V_{CC} +0.5V			DC Input or Output Voltage						
Clamp Diode Current (I_{IK}, I_{OK})	± 20 mA			(V_{IN}, V_{OUT})	0	V_{CC}	V			
Output Current, per pin (I_{OUT})	± 25 mA			Operating Temperature Range (T_A)	-40	+85	$^{\circ}$ C			
V_{CC} or GND Current, per pin (I_{CC})	± 50 mA			Input Rise or Fall Times						
Storage Temperature Range (T_{STG})	-65 $^{\circ}$ C to +150 $^{\circ}$ C			(t_r, t_f) $V_{CC} = 2.0V$		1000	ns			
Power Dissipation (P_D)				$V_{CC} = 4.5V$		500	ns			
(Note 3)	600 mW			$V_{CC} = 6.0V$		400	ns			
S.O. Package only	500 mW			Note 1: Absolute Maximum Ratings are those values beyond which damage to the device may occur.						
Lead Temperature (T_L)				Note 2: Unless otherwise specified all voltages are referenced to ground.						
(Soldering 10 seconds)	260 $^{\circ}$ C			Note 3: Power Dissipation temperature derating — plastic "N" package: -12 mW/ $^{\circ}$ C from 65 $^{\circ}$ C to 85 $^{\circ}$ C.						
DC Electrical Characteristics (Note 4)										
Symbol	Parameter	Conditions	V_{EE}	V_{CC}	$T_A = 25^{\circ}\text{C}$		$T_A = -40$ to 85°C	$T_A = -55$ to 125°C	Units	
					Typ	Guaranteed Limits				
V_{IH}	Minimum HIGH Level Input Voltage			2.0V	1.5	1.5	1.5	V		
				4.5V	3.15	3.15	3.15	V		
				6.0V	4.2	4.2	4.2	V		
V_{IL}	Maximum LOW Level Input Voltage			2.0V	0.5	0.5	0.5	V		
				4.5V	1.35	1.35	1.35	V		
				6.0V	1.8	1.8	1.8	V		
R_{ON}	Maximum "ON" Resistance (Note 5)	$V_{INH} = V_{IL}, I_S = 2.0$ mA	GND	4.5V	40	160	200	240	Ω	
			-4.5V	4.5V	30	120	150	170	Ω	
			-6.0V	6.0V	20	100	125	140	Ω	
		$V_{INH} = V_{IL}, I_S = 2.0$ mA	GND	2.0V	100	230	280	320	Ω	
			GND	4.5V	40	110	140	170	Ω	
			-4.5V	4.5V	20	90	120	140	Ω	
R_{ON}	Maximum "ON" Resistance Matching	$V_{CTL} = V_{IL}$ $V_{IS} = V_{CC}$ to GND	GND	4.5V	10	20	25	25	Ω	
			-4.5V	4.5V	5	10	15	15	Ω	
			-6.0V	6.0V	5	10	12	15	Ω	
I_{IN}	Maximum Control Input Current	$V_{IN} = V_{CC}$ or GND $V_{CC} = 2-6V$				± 0.1	± 1.0	± 1.0	μA	
I_{CC}	Maximum Quiescent Supply Current	$V_{IN} = V_{CC}$ or GND $I_{OUT} = 0$ μA	GND	6.0V		8	80	160	μA	
			-6.0V	6.0V		16	160	320	μA	
I_{IZ}	Maximum Switch "OFF" Leakage Current (Switch Input)	$V_{OS} = V_{CC}$ or V_{EE} $V_{IS} = V_{EE}$ or V_{CC} $V_{INH} = V_{IH}$ (Figure 2)	GND	6.0V		± 60	± 600	± 600	nA	
			-6.0V	6.0V		± 100	± 1000	± 1000	nA	
I_{IZ}	Maximum Switch "ON" Leakage Current	HC4051	$V_{IS} = V_{CC}$ to V_{EE}	GND	6.0V		± 0.2	± 2.0	± 2.0	μA
			$V_{INH} = V_{IL}$ (Figure 3)	-6.0V	6.0V		± 0.4	± 4.0	± 4.0	μA
		HC4052	$V_{IS} = V_{CC}$ to V_{EE}	GND	6.0V		± 0.1	± 1.0	± 1.0	μA
			$V_{INH} = V_{IL}$ (Figure 3)	-6.0V	6.0V		± 0.2	± 2.0	± 2.0	μA
HC4053	$V_{IS} = V_{CC}$ to V_{EE}	GND	6.0V		± 0.1	± 1.0	± 1.0	μA		
	$V_{INH} = V_{IL}$ (Figure 3)	-6.0V	6.0V		± 0.1	± 1.0	± 1.0	μA		

DC Electrical Characteristics (Continued)

Symbol	Parameter	Conditions	V _{EE}	V _{CC}	T _A = 25°C		T _A = -40 to 85°C	T _A = -55 to 125°C	Units
					Typ	Guaranteed Limits			
I _{IZ}	Maximum Switch "OFF" Leakage Current (Common Pin)	HC4051 V _{OS} = V _{CC} or V _{EE} V _{IS} = V _{EE} or V _{CC} V _{INH} = V _{IH}	GND	6.0V		±0.2	±2.0	±2.0	μA
			-6.0V	6.0V		±0.4	±4.0	±4.0	μA
			GND	6.0V		±0.1	±1.0	±1.0	μA
HC4052	V _{OS} = V _{CC} or V _{EE} V _{IS} = V _{EE} or V _{CC} V _{INH} = V _{IH}	GND	6.0V		±0.1	±1.0	±1.0	μA	
		-6.0V	6.0V		±0.2	±2.0	±2.0	μA	
		GND	6.0V		±0.1	±1.0	±1.0	μA	
HC4053	V _{OS} = V _{CC} or V _{EE} V _{IS} = V _{EE} or V _{CC} V _{INH} = V _{IH}	GND	6.0V		±0.1	±1.0	±1.0	μA	
		-6.0V	6.0V		±0.1	±1.0	±1.0	μA	

Note 4: For a power supply of 5V ±10% the worst case on resistances (R_{ON}) occurs for HC at 4.5V. Thus the 4.5V values should be used when designing with this supply. Worst case V_{IH} and V_{IL} occur at V_{CC} = 5.5V and 4.5V respectively. (The V_{IH} value at 5.5V is 3.85V.) The worst case leakage current occur for CMOS at the higher voltage and so the 5.5V values should be used.

Note 5: At supply voltages (V_{CC}-V_{EE}) approaching 2V the analog switch on resistance becomes extremely non-linear. Therefore it is recommended that these devices be used to transmit digital only when using these supply voltages.

AC Electrical Characteristics

V_{CC} = 2.0V–6.0V, V_{EE} = 0V–6V, C_L = 50 pF (unless otherwise specified)

Symbol	Parameter	Conditions	V _{EE}	V _{CC}	T _A = 25°C		T _A = -40 to 85°C	T _A = -55 to 125°C	Units
					Typ	Guaranteed Limits			
t _{PHL} , t _{PLH}	Maximum Propagation Delay Switch In to Out		GND	2.0V	25	60	75	90	ns
			GND	4.5V	5	12	15	18	ns
			-4.5V	4.5V	4	8	12	14	ns
			-6.0V	6.0V	3	7	11	13	ns
t _{PZL} , t _{PZH}	Maximum Switch Turn "ON" Delay	R _L = 1 kΩ	GND	2.0V	92	355	435	515	ns
			GND	4.5V	69	46	87	103	ns
			-4.5V	4.5V	16	46	58	69	ns
			-6.0V	6.0V	15	41	51	62	ns
t _{PHZ} , t _{PLZ}	Maximum Switch Turn "OFF" Delay		GND	2.0V	65	290	365	435	ns
			GND	4.5V	28	58	73	87	ns
			-4.5V	4.5V	18	37	46	56	ns
			-6.0V	6.0V	16	32	41	48	ns
f _{MAX}	Minimum Switch Frequency Response 20 log (V _I /V _O) = 3 dB		GND	4.5V	30				MHz
			-4.5V	4.5V	35				MHz
	Control to Switch Feedthrough Noise	R _L = 600Ω, f = 1 MHz, C _L = 50 pF	V _{IS} = 4 V _{PP}	0V	4.5V	1080			mV
			V _{IS} = 8 V _{PP}	-4.5V	4.5V	250			mV
	Crosstalk between any Two Switches	R _L = 600Ω, f = 1 MHz	V _{IS} = 4 V _{PP}	0V	4.5	-52			dB
			V _{IS} = 8 V _{PP}	-4.5V	4.5V	-50			dB
	Switch OFF Signal Feedthrough Isolation	R _L = 600Ω, f = 1 MHz, V _{CTL} = V _{IL}	V _{IS} = 4 V _{PP}	0V	4.5V	-42			dB
			V _{IS} = 8 V _{PP}	-4.5V	4.5V	-44			dB
THD	Sinewave Harmonic Distortion	R _L = 10 kΩ, C _L = 50 pF, f = 1 kHz	V _{IS} = 4 V _{PP}	0V	4.5V	0.013			%
			V _{IS} = 8 V _{PP}	-4.5V	4.5V	0.008			%
C _{IN}	Maximum Control Input Capacitance				5	10	10	10	pF
C _{IN}	Maximum Switch Input Capacitance	Input			15				pF
		4051 Common			90				pF
		4052 Common			45				pF
	4053 Common				30			pF	
C _{IN}	Maximum Feedthrough Capacitance				5				pF

AC Test Circuits and Switching Time Waveforms

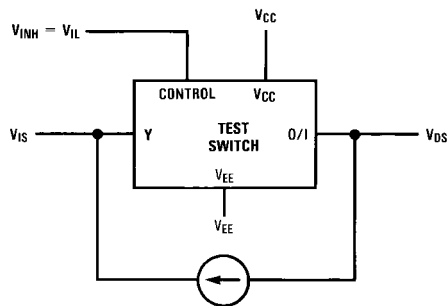


FIGURE 1. "ON" Resistance

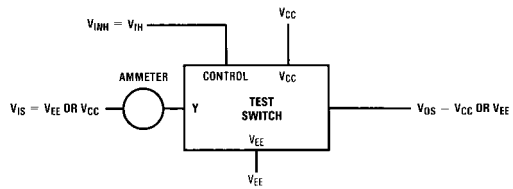


FIGURE 2. "OFF" Channel Leakage Current

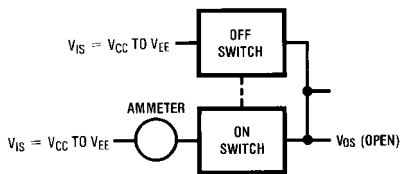


FIGURE 3. "ON" Channel Leakage Current

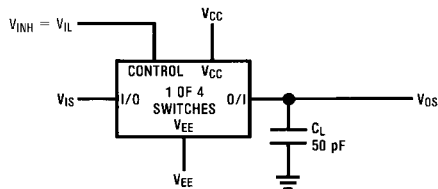


FIGURE 4. t_{PHL} , t_{PLH} Propagation Delay Time Signal Input to Signal Output

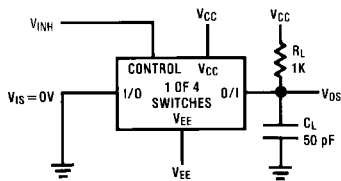
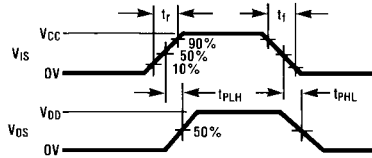


FIGURE 5. t_{PZL} , t_{PLZ} Propagation Delay Time Control to Signal Output

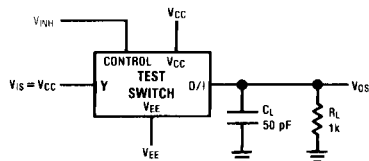
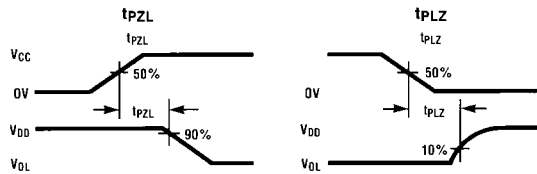
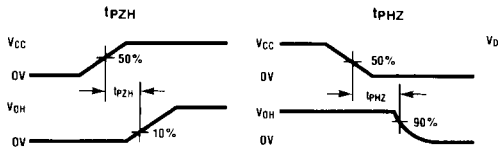


FIGURE 6. t_{PZH} , t_{PHZ} Propagation Delay Time Control to Signal Output



AC Test Circuits and Switching Time Waveforms (Continued)

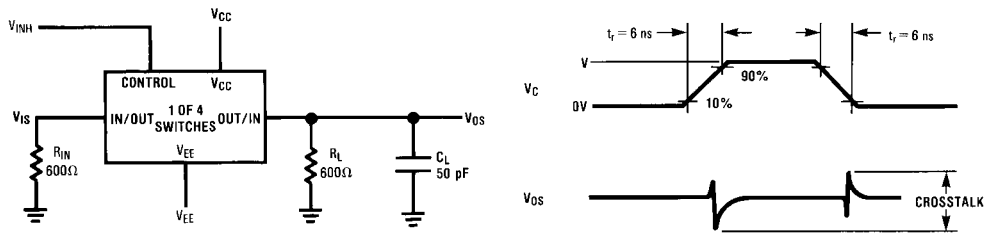


FIGURE 7. Crosstalk: Control Input to Signal Output

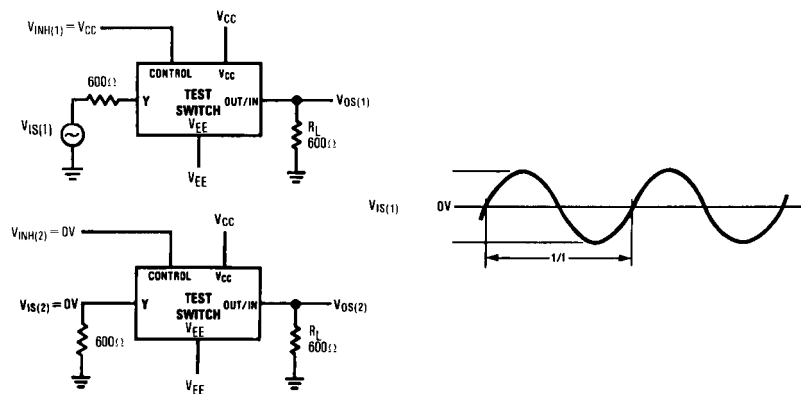
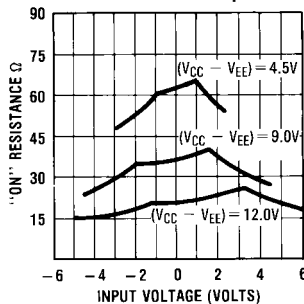


FIGURE 8. Crosstalk Between Any Two Switches

Typical Performance Characteristics

Typical "On" Resistance vs Input Voltage



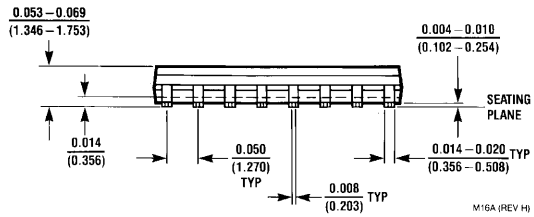
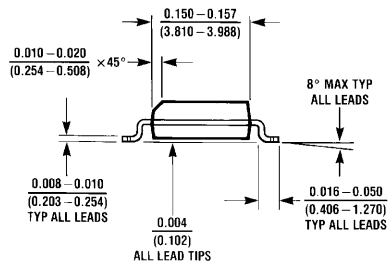
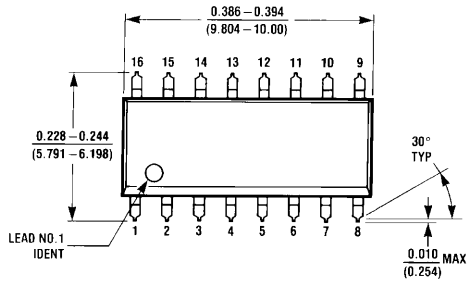
$$V_{CC} = -V_{EE}$$

Special Considerations

In certain applications the external load-resistor current may include both V_{CC} and signal line components. To

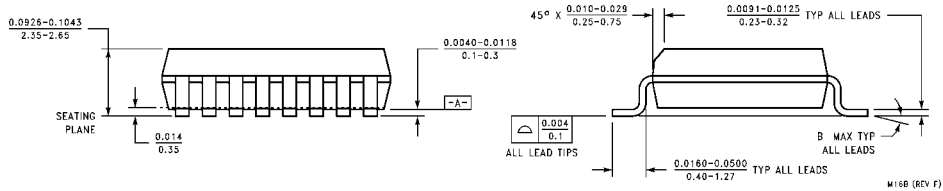
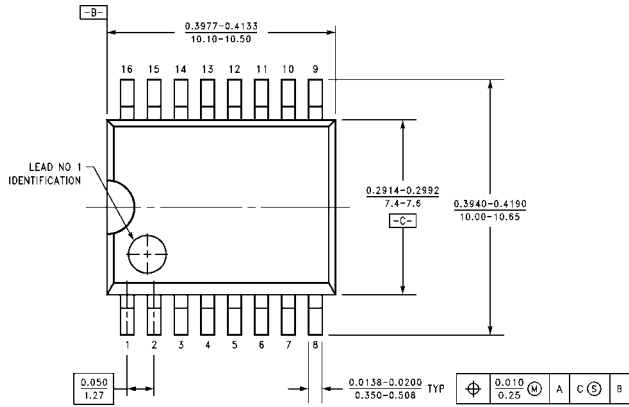
avoid drawing V_{CC} current when switch current flows into the analog switch pins, the voltage drop across the switch must not exceed 1.2V (calculated from the ON resistance).

Physical Dimensions inches (millimeters) unless otherwise noted



M16A (REV H)

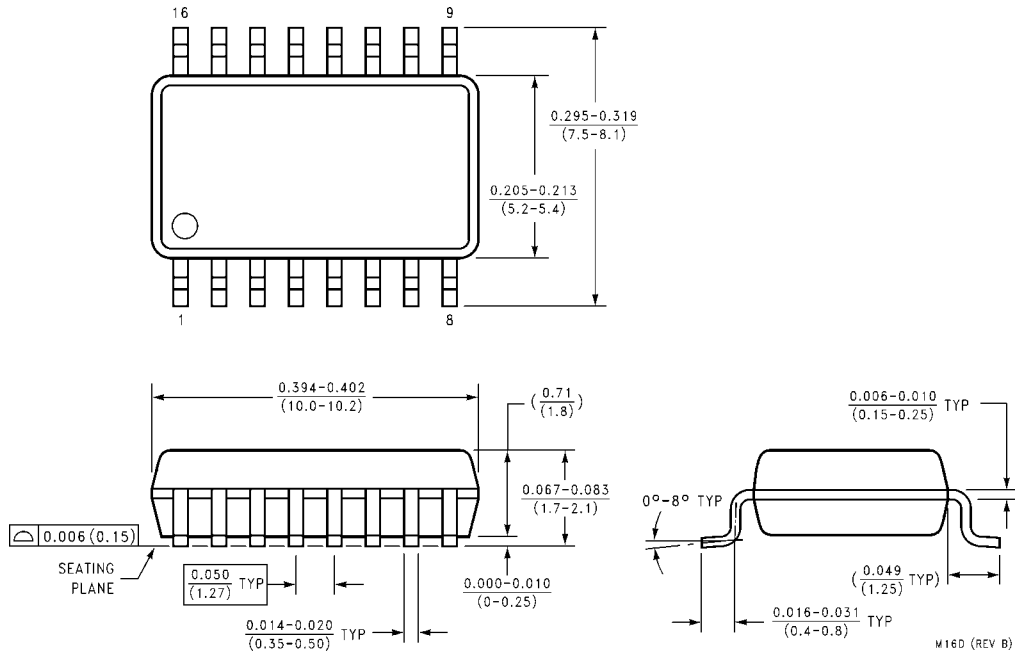
16-Lead Small Outline Integrated Circuit (SOIC), JEDEC MS-012, 0.150" Narrow Package Number M16A



M16B (REV F)

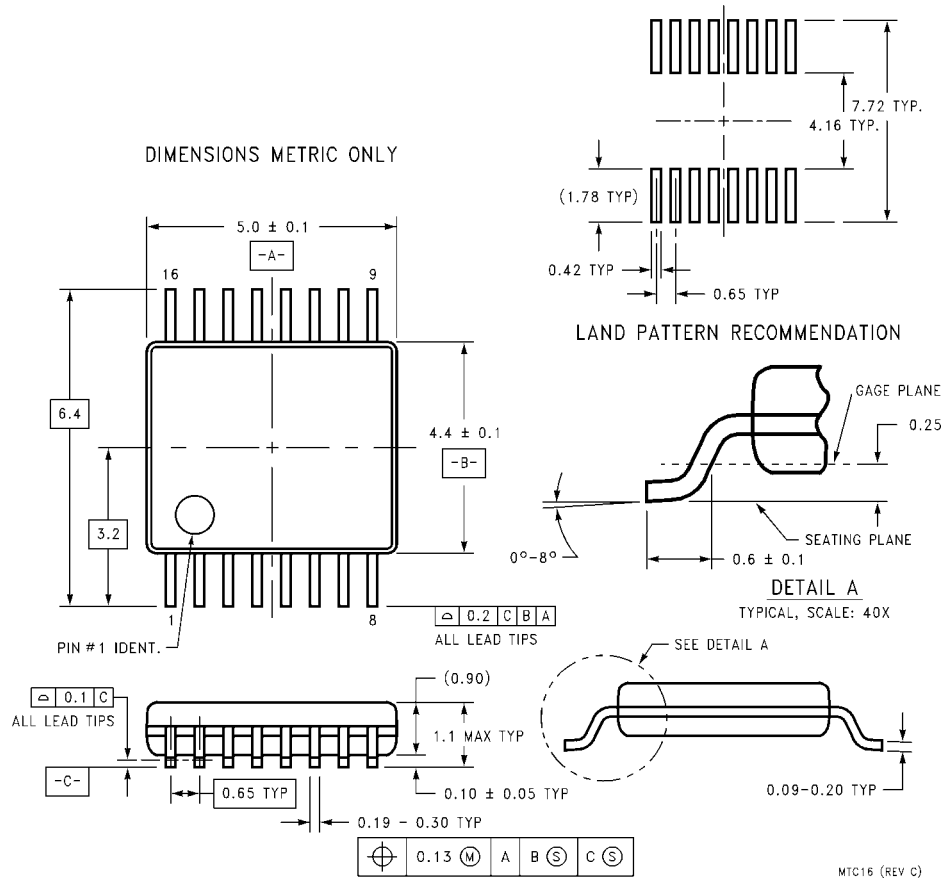
16-Lead Small Outline Integrated Circuit (SOIC), JEDEC MS-013, 0.300" Wide Package Number M16B

Physical Dimensions inches (millimeters) unless otherwise noted (Continued)



**16-Lead Small Outline Package (SOP), EIAJ TYPE II, 5.3mm Wide
Package Number M16D**

Physical Dimensions inches (millimeters) unless otherwise noted (Continued)



**16-Lead Thin Shrink Small Outline Package (TSSOP), JEDEC MO-153, 4.4mm Wide
Package Number MTC16**

Physical Dimensions inches (millimeters) unless otherwise noted (Continued)



16-Lead Plastic Dual-In-Line Package (PDIP), JEDEC MS-001, 0.300" Wide Package Number N16E

LIFE SUPPORT POLICY

FAIRCHILD'S PRODUCTS ARE NOT AUTHORIZED FOR USE AS CRITICAL COMPONENTS IN LIFE SUPPORT DEVICES OR SYSTEMS WITHOUT THE EXPRESS WRITTEN APPROVAL OF THE PRESIDENT OF FAIRCHILD SEMICONDUCTOR CORPORATION. As used herein:

1. Life support devices or systems are devices or systems which, (a) are intended for surgical implant into the body, or (b) support or sustain life, and (c) whose failure to perform when properly used in accordance with instructions for use provided in the labeling, can be reasonably expected to result in a significant injury to the user.
2. A critical component in any component of a life support device or system whose failure to perform can be reasonably expected to cause the failure of the life support device or system, or to affect its safety or effectiveness.

www.fairchildsemi.com

Looking for pricing, stock, or lifecycle information?

Click below to explore more details on WIN SOURCE:

- ⊖ [View MM74HC4053MX on WIN SOURCE](#)
- ⊖ [Fairchild/ON Semiconductor Information](#)

Optimize Your Supply Chain with WIN SOURCE Solutions

- ✓ Global Sourcing Solution
- ✓ Obsolete Management
- ✓ Cost Control Management
- ✓ Shortage Management
- ✓ Alternative Solution
- ✓ Excess Inventory Management