



**THE DATASHEET OF  
MLG0603S4N3HT000**



Inductors for high frequency circuits  
Multilayer ceramic  
MLG series



## MLG0603S type



### FEATURES

- Advanced monolithic structure is formed using a multilayering and sintering process with ceramic and conductive materials for high-frequency.
- Operating temperature range: -55 to +125°C

### APPLICATION

- Smart phones, tablet terminals, high frequency modules (PAs, VCOs, FEMs , etc.), Bluetooth, W-LAN, UWB, tuners and other high frequency circuits for the mobile communication industry
- Application guides: [Smart phones/tablets](#)

### PART NUMBER CONSTRUCTION

|             |                                    |                       |                 |                      |                 |               |
|-------------|------------------------------------|-----------------------|-----------------|----------------------|-----------------|---------------|
| MLG         | 0603                               | S                     | 0N3             | S                    | T               | 000           |
| Series name | LxWxH dimensions<br>0.6x0.3x0.3 mm | Product internal code | Inductance (nH) | Inductance tolerance | Packaging style | Internal code |



## MLG0603S type

## CHARACTERISTICS SPECIFICATION TABLE

| L<br>(nH) | Q<br>Tolerance | Q<br>min. | L, Q measuring<br>frequency<br>(MHz) | Self-resonant<br>frequency |           | DC resistance    |                  | Rated current<br>(mA)max. | Part No.*                        |
|-----------|----------------|-----------|--------------------------------------|----------------------------|-----------|------------------|------------------|---------------------------|----------------------------------|
|           |                |           |                                      | (GHz)min.                  | (GHz)typ. | ( $\Omega$ )max. | ( $\Omega$ )typ. |                           |                                  |
| 0.3       | $\pm 0.1$ nH   | —         | 100                                  | 10.0                       | 20up      | 0.10             | 0.02             | 600                       | <a href="#">MLG0603SON3BT000</a> |
| 0.3       | $\pm 0.2$ nH   | —         | 100                                  | 10.0                       | 20up      | 0.10             | 0.02             | 600                       | <a href="#">MLG0603SON3CT000</a> |
| 0.4       | $\pm 0.1$ nH   | —         | 100                                  | 10.0                       | 20up      | 0.10             | 0.02             | 600                       | <a href="#">MLG0603SON4BT000</a> |
| 0.4       | $\pm 0.2$ nH   | —         | 100                                  | 10.0                       | 20up      | 0.10             | 0.02             | 600                       | <a href="#">MLG0603SON4CT000</a> |
| 0.5       | $\pm 0.1$ nH   | —         | 100                                  | 10.0                       | 20up      | 0.10             | 0.02             | 600                       | <a href="#">MLG0603SON5BT000</a> |
| 0.5       | $\pm 0.2$ nH   | —         | 100                                  | 10.0                       | 20up      | 0.10             | 0.02             | 600                       | <a href="#">MLG0603SON5CT000</a> |
| 0.6       | $\pm 0.1$ nH   | —         | 100                                  | 10.0                       | 20up      | 0.10             | 0.02             | 600                       | <a href="#">MLG0603SON6BT000</a> |
| 0.6       | $\pm 0.2$ nH   | —         | 100                                  | 10.0                       | 20up      | 0.10             | 0.02             | 600                       | <a href="#">MLG0603SON6CT000</a> |
| 0.7       | $\pm 0.1$ nH   | —         | 100                                  | 10.0                       | 16.3      | 0.10             | 0.02             | 600                       | <a href="#">MLG0603SON7BT000</a> |
| 0.7       | $\pm 0.2$ nH   | —         | 100                                  | 10.0                       | 16.3      | 0.10             | 0.02             | 600                       | <a href="#">MLG0603SON7CT000</a> |
| 0.8       | $\pm 0.1$ nH   | —         | 100                                  | 10.0                       | 16.1      | 0.10             | 0.03             | 600                       | <a href="#">MLG0603SON8BT000</a> |
| 0.8       | $\pm 0.2$ nH   | —         | 100                                  | 10.0                       | 16.1      | 0.10             | 0.03             | 600                       | <a href="#">MLG0603SON8CT000</a> |
| 0.9       | $\pm 0.1$ nH   | —         | 100                                  | 10.0                       | 13.8      | 0.10             | 0.03             | 600                       | <a href="#">MLG0603SON9BT000</a> |
| 0.9       | $\pm 0.2$ nH   | —         | 100                                  | 10.0                       | 13.8      | 0.10             | 0.03             | 600                       | <a href="#">MLG0603SON9CT000</a> |
| 1.0       | $\pm 0.1$ nH   | 4         | 100                                  | 10.0                       | 14.4      | 0.10             | 0.04             | 600                       | <a href="#">MLG0603S1N0BT000</a> |
| 1.0       | $\pm 0.2$ nH   | 4         | 100                                  | 10.0                       | 14.4      | 0.10             | 0.04             | 600                       | <a href="#">MLG0603S1N0CT000</a> |
| 1.0       | $\pm 0.3$ nH   | 4         | 100                                  | 10.0                       | 14.4      | 0.10             | 0.04             | 600                       | <a href="#">MLG0603S1N0ST000</a> |
| 1.1       | $\pm 0.1$ nH   | 4         | 100                                  | 10.0                       | 13.6      | 0.15             | 0.04             | 550                       | <a href="#">MLG0603S1N1BT000</a> |
| 1.1       | $\pm 0.2$ nH   | 4         | 100                                  | 10.0                       | 13.6      | 0.15             | 0.04             | 550                       | <a href="#">MLG0603S1N1CT000</a> |
| 1.1       | $\pm 0.3$ nH   | 4         | 100                                  | 10.0                       | 13.6      | 0.15             | 0.04             | 550                       | <a href="#">MLG0603S1N1ST000</a> |
| 1.2       | $\pm 0.1$ nH   | 4         | 100                                  | 10.0                       | 12.3      | 0.15             | 0.06             | 550                       | <a href="#">MLG0603S1N2BT000</a> |
| 1.2       | $\pm 0.2$ nH   | 4         | 100                                  | 10.0                       | 12.3      | 0.15             | 0.06             | 550                       | <a href="#">MLG0603S1N2CT000</a> |
| 1.2       | $\pm 0.3$ nH   | 4         | 100                                  | 10.0                       | 12.3      | 0.15             | 0.06             | 550                       | <a href="#">MLG0603S1N2ST000</a> |
| 1.3       | $\pm 0.1$ nH   | 4         | 100                                  | 9.0                        | 11.4      | 0.15             | 0.07             | 550                       | <a href="#">MLG0603S1N3BT000</a> |
| 1.3       | $\pm 0.2$ nH   | 4         | 100                                  | 9.0                        | 11.4      | 0.15             | 0.07             | 550                       | <a href="#">MLG0603S1N3CT000</a> |
| 1.3       | $\pm 0.3$ nH   | 4         | 100                                  | 9.0                        | 11.4      | 0.15             | 0.07             | 550                       | <a href="#">MLG0603S1N3ST000</a> |
| 1.5       | $\pm 0.1$ nH   | 4         | 100                                  | 9.0                        | 10.4      | 0.15             | 0.07             | 550                       | <a href="#">MLG0603S1N5BT000</a> |
| 1.5       | $\pm 0.2$ nH   | 4         | 100                                  | 9.0                        | 10.4      | 0.15             | 0.07             | 550                       | <a href="#">MLG0603S1N5CT000</a> |
| 1.5       | $\pm 0.3$ nH   | 4         | 100                                  | 9.00                       | 10.4      | 0.15             | 0.07             | 550                       | <a href="#">MLG0603S1N5ST000</a> |
| 1.6       | $\pm 0.1$ nH   | 4         | 100                                  | 9.0                        | 11.5      | 0.20             | 0.09             | 500                       | <a href="#">MLG0603S1N6BT000</a> |
| 1.6       | $\pm 0.2$ nH   | 4         | 100                                  | 9.0                        | 11.5      | 0.20             | 0.09             | 500                       | <a href="#">MLG0603S1N6CT000</a> |
| 1.6       | $\pm 0.3$ nH   | 4         | 100                                  | 9.00                       | 11.5      | 0.20             | 0.09             | 500                       | <a href="#">MLG0603S1N6ST000</a> |
| 1.8       | $\pm 0.1$ nH   | 4         | 100                                  | 8.5                        | 10.0      | 0.20             | 0.12             | 500                       | <a href="#">MLG0603S1N8BT000</a> |
| 1.8       | $\pm 0.2$ nH   | 4         | 100                                  | 8.5                        | 10.0      | 0.20             | 0.12             | 500                       | <a href="#">MLG0603S1N8CT000</a> |
| 1.8       | $\pm 0.3$ nH   | 4         | 100                                  | 8.50                       | 10.0      | 0.20             | 0.12             | 500                       | <a href="#">MLG0603S1N8ST000</a> |
| 2.0       | $\pm 0.1$ nH   | 4         | 100                                  | 8.2                        | 9.80      | 0.25             | 0.14             | 400                       | <a href="#">MLG0603S2N0BT000</a> |
| 2.0       | $\pm 0.2$ nH   | 4         | 100                                  | 8.2                        | 9.80      | 0.25             | 0.14             | 400                       | <a href="#">MLG0603S2N0CT000</a> |
| 2.0       | $\pm 0.3$ nH   | 4         | 100                                  | 8.20                       | 9.80      | 0.25             | 0.14             | 400                       | <a href="#">MLG0603S2N0ST000</a> |
| 2.2       | $\pm 0.1$ nH   | 4         | 100                                  | 8.0                        | 8.90      | 0.25             | 0.14             | 400                       | <a href="#">MLG0603S2N2BT000</a> |
| 2.2       | $\pm 0.2$ nH   | 4         | 100                                  | 8.0                        | 8.90      | 0.25             | 0.14             | 400                       | <a href="#">MLG0603S2N2CT000</a> |
| 2.2       | $\pm 0.3$ nH   | 4         | 100                                  | 8.00                       | 8.90      | 0.25             | 0.14             | 400                       | <a href="#">MLG0603S2N2ST000</a> |
| 2.4       | $\pm 0.1$ nH   | 4         | 100                                  | 8.0                        | 9.20      | 0.25             | 0.15             | 300                       | <a href="#">MLG0603S2N4BT000</a> |
| 2.4       | $\pm 0.2$ nH   | 4         | 100                                  | 8.0                        | 9.20      | 0.25             | 0.15             | 300                       | <a href="#">MLG0603S2N4CT000</a> |
| 2.4       | $\pm 0.3$ nH   | 4         | 100                                  | 8.00                       | 9.20      | 0.25             | 0.15             | 300                       | <a href="#">MLG0603S2N4ST000</a> |
| 2.7       | $\pm 0.1$ nH   | 4         | 100                                  | 6.5                        | 8.10      | 0.25             | 0.15             | 300                       | <a href="#">MLG0603S2N7BT000</a> |
| 2.7       | $\pm 0.2$ nH   | 4         | 100                                  | 6.5                        | 8.10      | 0.25             | 0.15             | 300                       | <a href="#">MLG0603S2N7CT000</a> |
| 2.7       | $\pm 0.3$ nH   | 4         | 100                                  | 6.50                       | 8.10      | 0.25             | 0.15             | 300                       | <a href="#">MLG0603S2N7ST000</a> |

\*Please contact us for information on inductance tolerance, G ( $\pm 2\%$ ).

## Measurement equipment

| Measurement item        | Product No.  | Manufacturer          |
|-------------------------|--------------|-----------------------|
| L, Q                    | 4291B+16197A | Keysight Technologies |
| Self-resonant frequency | 8720C        | Keysight Technologies |
| DC resistance           | Type-7561    | Yokogawa              |

\* Equivalent measurement equipment may be used.

## MLG0603S type

## CHARACTERISTICS SPECIFICATION TABLE

| L<br>(nH) | Q<br>Tolerance | Q<br>min. | L, Q measuring<br>frequency<br>(MHz) | Self-resonant<br>frequency |           | DC resistance    |                  | Rated current<br>(mA)max. | Part No.*                        |
|-----------|----------------|-----------|--------------------------------------|----------------------------|-----------|------------------|------------------|---------------------------|----------------------------------|
|           |                |           |                                      | (GHz)min.                  | (GHz)typ. | ( $\Omega$ )max. | ( $\Omega$ )typ. |                           |                                  |
| 3.0       | $\pm 0.1$ nH   | 4         | 100                                  | 6.2                        | 7.80      | 0.30             | 0.20             | 300                       | <a href="#">MLG0603S3N0BT000</a> |
| 3.0       | $\pm 0.2$ nH   | 4         | 100                                  | 6.2                        | 7.80      | 0.30             | 0.20             | 300                       | <a href="#">MLG0603S3N0CT000</a> |
| 3.0       | $\pm 0.3$ nH   | 4         | 100                                  | 6.20                       | 7.80      | 0.30             | 0.20             | 300                       | <a href="#">MLG0603S3N0ST000</a> |
| 3.3       | $\pm 0.1$ nH   | 4         | 100                                  | 5.8                        | 7.00      | 0.35             | 0.23             | 300                       | <a href="#">MLG0603S3N3BT000</a> |
| 3.3       | $\pm 0.2$ nH   | 4         | 100                                  | 5.8                        | 7.00      | 0.35             | 0.23             | 300                       | <a href="#">MLG0603S3N3CT000</a> |
| 3.3       | $\pm 0.3$ nH   | 4         | 100                                  | 5.80                       | 7.00      | 0.35             | 0.23             | 300                       | <a href="#">MLG0603S3N3ST000</a> |
| 3.6       | $\pm 0.1$ nH   | 4         | 100                                  | 5.5                        | 6.90      | 0.35             | 0.22             | 300                       | <a href="#">MLG0603S3N6BT000</a> |
| 3.6       | $\pm 0.2$ nH   | 4         | 100                                  | 5.5                        | 6.90      | 0.35             | 0.22             | 300                       | <a href="#">MLG0603S3N6CT000</a> |
| 3.6       | $\pm 0.3$ nH   | 4         | 100                                  | 5.50                       | 6.90      | 0.35             | 0.22             | 300                       | <a href="#">MLG0603S3N6ST000</a> |
| 3.9       | $\pm 0.1$ nH   | 5         | 100                                  | 5.0                        | 6.60      | 0.40             | 0.27             | 300                       | <a href="#">MLG0603S3N9BT000</a> |
| 3.9       | $\pm 0.2$ nH   | 5         | 100                                  | 5.0                        | 6.60      | 0.40             | 0.27             | 300                       | <a href="#">MLG0603S3N9CT000</a> |
| 3.9       | $\pm 0.3$ nH   | 5         | 100                                  | 5.00                       | 6.60      | 0.40             | 0.27             | 300                       | <a href="#">MLG0603S3N9ST000</a> |
| 4.3       | $\pm 0.3$ nH   | 5         | 100                                  | 5.00                       | 6.40      | 0.40             | 0.27             | 300                       | <a href="#">MLG0603S4N3ST000</a> |
| 4.3       | $\pm 3\%$      | 5         | 100                                  | 5.00                       | 6.40      | 0.40             | 0.27             | 300                       | <a href="#">MLG0603S4N3HT000</a> |
| 4.7       | $\pm 0.3$ nH   | 5         | 100                                  | 4.50                       | 5.40      | 0.45             | 0.28             | 300                       | <a href="#">MLG0603S4N7ST000</a> |
| 4.7       | $\pm 3\%$      | 5         | 100                                  | 4.50                       | 5.40      | 0.45             | 0.28             | 300                       | <a href="#">MLG0603S4N7HT000</a> |
| 5.1       | $\pm 0.3$ nH   | 5         | 100                                  | 4.50                       | 5.50      | 0.45             | 0.23             | 250                       | <a href="#">MLG0603S5N1ST000</a> |
| 5.1       | $\pm 3\%$      | 5         | 100                                  | 4.50                       | 5.50      | 0.45             | 0.23             | 250                       | <a href="#">MLG0603S5N1HT000</a> |
| 5.6       | $\pm 0.3$ nH   | 5         | 100                                  | 4.20                       | 5.30      | 0.50             | 0.31             | 250                       | <a href="#">MLG0603S5N6ST000</a> |
| 5.6       | $\pm 3\%$      | 5         | 100                                  | 4.20                       | 5.30      | 0.50             | 0.31             | 250                       | <a href="#">MLG0603S5N6HT000</a> |
| 6.2       | $\pm 0.3$ nH   | 5         | 100                                  | 4.20                       | 5.10      | 0.55             | 0.32             | 250                       | <a href="#">MLG0603S6N2ST000</a> |
| 6.2       | $\pm 3\%$      | 5         | 100                                  | 4.20                       | 5.10      | 0.55             | 0.32             | 250                       | <a href="#">MLG0603S6N2HT000</a> |
| 6.8       | $\pm 3\%$      | 5         | 100                                  | 3.60                       | 4.40      | 0.60             | 0.32             | 250                       | <a href="#">MLG0603S6N8HT000</a> |
| 6.8       | $\pm 5\%$      | 5         | 100                                  | 3.60                       | 4.40      | 0.60             | 0.32             | 250                       | <a href="#">MLG0603S6N8JT000</a> |
| 7.5       | $\pm 3\%$      | 5         | 100                                  | 4.20                       | 5.30      | 0.70             | 0.43             | 200                       | <a href="#">MLG0603S7N5HT000</a> |
| 7.5       | $\pm 5\%$      | 5         | 100                                  | 4.20                       | 5.30      | 0.70             | 0.43             | 200                       | <a href="#">MLG0603S7N5JT000</a> |
| 8.2       | $\pm 3\%$      | 5         | 100                                  | 3.80                       | 4.50      | 0.70             | 0.45             | 200                       | <a href="#">MLG0603S8N2HT000</a> |
| 8.2       | $\pm 5\%$      | 5         | 100                                  | 3.80                       | 4.50      | 0.70             | 0.45             | 200                       | <a href="#">MLG0603S8N2JT000</a> |
| 9.1       | $\pm 3\%$      | 5         | 100                                  | 3.40                       | 4.90      | 0.80             | 0.51             | 200                       | <a href="#">MLG0603S9N1HT000</a> |
| 9.1       | $\pm 5\%$      | 5         | 100                                  | 3.40                       | 4.90      | 0.80             | 0.51             | 200                       | <a href="#">MLG0603S9N1JT000</a> |
| 10        | $\pm 3\%$      | 5         | 100                                  | 3.20                       | 4.10      | 0.80             | 0.53             | 200                       | <a href="#">MLG0603S10NJT000</a> |
| 10        | $\pm 5\%$      | 5         | 100                                  | 3.20                       | 4.10      | 0.80             | 0.53             | 200                       | <a href="#">MLG0603S10NJT000</a> |
| 11        | $\pm 3\%$      | 6         | 100                                  | 3.00                       | 3.70      | 0.80             | 0.53             | 200                       | <a href="#">MLG0603S11NHT000</a> |
| 11        | $\pm 5\%$      | 6         | 100                                  | 3.00                       | 3.70      | 0.80             | 0.53             | 200                       | <a href="#">MLG0603S11NJT000</a> |
| 12        | $\pm 3\%$      | 6         | 100                                  | 2.80                       | 3.60      | 0.90             | 0.63             | 180                       | <a href="#">MLG0603S12NHT000</a> |
| 12        | $\pm 5\%$      | 6         | 100                                  | 2.80                       | 3.60      | 0.90             | 0.63             | 180                       | <a href="#">MLG0603S12NJT000</a> |
| 13        | $\pm 3\%$      | 6         | 100                                  | 2.70                       | 3.40      | 0.90             | 0.60             | 180                       | <a href="#">MLG0603S13NHT000</a> |
| 13        | $\pm 5\%$      | 6         | 100                                  | 2.70                       | 3.40      | 0.90             | 0.60             | 180                       | <a href="#">MLG0603S13NJT000</a> |
| 15        | $\pm 3\%$      | 6         | 100                                  | 2.50                       | 3.30      | 1.10             | 0.69             | 180                       | <a href="#">MLG0603S15NHT000</a> |
| 15        | $\pm 5\%$      | 6         | 100                                  | 2.50                       | 3.30      | 1.10             | 0.69             | 180                       | <a href="#">MLG0603S15NJT000</a> |
| 16        | $\pm 3\%$      | 6         | 100                                  | 2.30                       | 3.00      | 1.10             | 0.70             | 180                       | <a href="#">MLG0603S16NHT000</a> |
| 16        | $\pm 5\%$      | 6         | 100                                  | 2.30                       | 3.00      | 1.10             | 0.70             | 180                       | <a href="#">MLG0603S16NJT000</a> |
| 18        | $\pm 3\%$      | 6         | 100                                  | 2.20                       | 2.80      | 1.20             | 0.78             | 150                       | <a href="#">MLG0603S18NHT000</a> |
| 18        | $\pm 5\%$      | 6         | 100                                  | 2.20                       | 2.80      | 1.20             | 0.78             | 150                       | <a href="#">MLG0603S18NJT000</a> |
| 20        | $\pm 3\%$      | 6         | 100                                  | 2.10                       | 2.60      | 1.20             | 0.75             | 150                       | <a href="#">MLG0603S20NHT000</a> |
| 20        | $\pm 5\%$      | 6         | 100                                  | 2.10                       | 2.60      | 1.20             | 0.75             | 150                       | <a href="#">MLG0603S20NJT000</a> |

\* Please contact us for information on inductance tolerance, G ( $\pm 2\%$ ).

## Measurement equipment

| Measurement item        | Product No.  | Manufacturer          |
|-------------------------|--------------|-----------------------|
| L, Q                    | 4291B+16197A | Keysight Technologies |
| Self-resonant frequency | 8720C        | Keysight Technologies |
| DC resistance           | Type-7561    | Yokogawa              |

\* Equivalent measurement equipment may be used.

## MLG0603S type

## CHARACTERISTICS SPECIFICATION TABLE

| L<br>(nH) | Q<br>Tolerance | Q<br>min. | L, Q measuring<br>frequency<br>(MHz) | Self-resonant<br>frequency |           | DC resistance    |                  | Rated current<br>(mA)max. | Part No.*                        |
|-----------|----------------|-----------|--------------------------------------|----------------------------|-----------|------------------|------------------|---------------------------|----------------------------------|
|           |                |           |                                      | (GHz)min.                  | (GHz)typ. | ( $\Omega$ )max. | ( $\Omega$ )typ. |                           |                                  |
| 22        | $\pm 3\%$      | 6         | 100                                  | 2.00                       | 2.50      | 1.20             | 0.88             | 150                       | <a href="#">MLG0603S22NHT000</a> |
| 22        | $\pm 5\%$      | 6         | 100                                  | 2.00                       | 2.50      | 1.20             | 0.88             | 150                       | <a href="#">MLG0603S22NJT000</a> |
| 24        | $\pm 3\%$      | 6         | 100                                  | 1.90                       | 2.30      | 1.30             | 0.90             | 150                       | <a href="#">MLG0603S24NHT000</a> |
| 24        | $\pm 5\%$      | 6         | 100                                  | 1.90                       | 2.30      | 1.30             | 0.90             | 150                       | <a href="#">MLG0603S24NJT000</a> |
| 27        | $\pm 3\%$      | 6         | 100                                  | 1.80                       | 2.20      | 1.50             | 1.00             | 100                       | <a href="#">MLG0603S27NHT000</a> |
| 27        | $\pm 5\%$      | 6         | 100                                  | 1.80                       | 2.20      | 1.50             | 1.00             | 100                       | <a href="#">MLG0603S27NJT000</a> |
| 30        | $\pm 3\%$      | 6         | 100                                  | 1.60                       | 2.00      | 1.60             | 0.95             | 100                       | <a href="#">MLG0603S30NHT000</a> |
| 30        | $\pm 5\%$      | 6         | 100                                  | 1.60                       | 2.00      | 1.60             | 0.95             | 100                       | <a href="#">MLG0603S30NJT000</a> |
| 33        | $\pm 3\%$      | 6         | 100                                  | 1.60                       | 2.00      | 1.80             | 1.20             | 100                       | <a href="#">MLG0603S33NHT000</a> |
| 33        | $\pm 5\%$      | 6         | 100                                  | 1.60                       | 2.00      | 1.80             | 1.20             | 100                       | <a href="#">MLG0603S33NJT000</a> |
| 36        | $\pm 3\%$      | 6         | 100                                  | 1.50                       | 1.80      | 2.00             | 1.68             | 50                        | <a href="#">MLG0603S36NHT000</a> |
| 36        | $\pm 5\%$      | 6         | 100                                  | 1.50                       | 1.80      | 2.00             | 1.68             | 50                        | <a href="#">MLG0603S36NJT000</a> |
| 39        | $\pm 3\%$      | 6         | 100                                  | 1.40                       | 1.60      | 2.00             | 1.40             | 50                        | <a href="#">MLG0603S39NHT000</a> |
| 39        | $\pm 5\%$      | 6         | 100                                  | 1.40                       | 1.60      | 2.00             | 1.40             | 50                        | <a href="#">MLG0603S39NJT000</a> |
| 43        | $\pm 3\%$      | 6         | 100                                  | 1.30                       | 1.60      | 2.20             | 1.91             | 50                        | <a href="#">MLG0603S43NHT000</a> |
| 43        | $\pm 5\%$      | 6         | 100                                  | 1.30                       | 1.60      | 2.20             | 1.91             | 50                        | <a href="#">MLG0603S43NJT000</a> |
| 47        | $\pm 3\%$      | 6         | 100                                  | 1.30                       | 1.50      | 2.20             | 1.48             | 50                        | <a href="#">MLG0603S47NHT000</a> |
| 47        | $\pm 5\%$      | 6         | 100                                  | 1.30                       | 1.50      | 2.20             | 1.48             | 50                        | <a href="#">MLG0603S47NJT000</a> |
| 51        | $\pm 3\%$      | 5         | 100                                  | 1.20                       | 1.50      | 2.80             | 1.98             | 50                        | <a href="#">MLG0603S51NHT000</a> |
| 51        | $\pm 5\%$      | 5         | 100                                  | 1.20                       | 1.50      | 2.80             | 1.98             | 50                        | <a href="#">MLG0603S51NJT000</a> |
| 56        | $\pm 3\%$      | 5         | 100                                  | 1.20                       | 1.40      | 3.20             | 2.11             | 50                        | <a href="#">MLG0603S56NHT000</a> |
| 56        | $\pm 5\%$      | 5         | 100                                  | 1.20                       | 1.40      | 3.20             | 2.11             | 50                        | <a href="#">MLG0603S56NJT000</a> |
| 62        | $\pm 3\%$      | 5         | 100                                  | 1.10                       | 1.30      | 3.30             | 2.22             | 50                        | <a href="#">MLG0603S62NHT000</a> |
| 62        | $\pm 5\%$      | 5         | 100                                  | 1.10                       | 1.30      | 3.30             | 2.22             | 50                        | <a href="#">MLG0603S62NJT000</a> |
| 68        | $\pm 3\%$      | 5         | 100                                  | 1.05                       | 1.24      | 3.50             | 2.40             | 50                        | <a href="#">MLG0603S68NHT000</a> |
| 68        | $\pm 5\%$      | 5         | 100                                  | 1.05                       | 1.24      | 3.50             | 2.40             | 50                        | <a href="#">MLG0603S68NJT000</a> |
| 75        | $\pm 3\%$      | 5         | 100                                  | 0.95                       | 1.17      | 3.80             | 2.67             | 50                        | <a href="#">MLG0603S75NHT000</a> |
| 75        | $\pm 5\%$      | 5         | 100                                  | 0.95                       | 1.17      | 3.80             | 2.67             | 50                        | <a href="#">MLG0603S75NJT000</a> |
| 82        | $\pm 3\%$      | 5         | 100                                  | 0.90                       | 1.08      | 4.00             | 2.80             | 50                        | <a href="#">MLG0603S82NHT000</a> |
| 82        | $\pm 5\%$      | 5         | 100                                  | 0.90                       | 1.08      | 4.00             | 2.80             | 50                        | <a href="#">MLG0603S82NJT000</a> |
| 91        | $\pm 3\%$      | 5         | 100                                  | 0.77                       | 0.94      | 4.30             | 2.97             | 50                        | <a href="#">MLG0603S91NHT000</a> |
| 91        | $\pm 5\%$      | 5         | 100                                  | 0.77                       | 0.94      | 4.30             | 2.97             | 50                        | <a href="#">MLG0603S91NJT000</a> |
| 100       | $\pm 3\%$      | 5         | 100                                  | 0.77                       | 0.94      | 4.50             | 3.13             | 50                        | <a href="#">MLG0603SR10HT000</a> |
| 100       | $\pm 5\%$      | 5         | 100                                  | 0.77                       | 0.94      | 4.50             | 3.13             | 50                        | <a href="#">MLG0603SR10JT000</a> |
| 110       | $\pm 3\%$      | 5         | 100                                  | 0.77                       | 0.94      | 6.50             | 5.24             | 50                        | <a href="#">MLG0603SR11HT000</a> |
| 110       | $\pm 5\%$      | 5         | 100                                  | 0.77                       | 0.94      | 6.50             | 5.24             | 50                        | <a href="#">MLG0603SR11JT000</a> |
| 120       | $\pm 3\%$      | 5         | 100                                  | 0.70                       | 0.88      | 7.00             | 5.53             | 50                        | <a href="#">MLG0603SR12HT000</a> |
| 120       | $\pm 5\%$      | 5         | 100                                  | 0.70                       | 0.88      | 7.00             | 5.53             | 50                        | <a href="#">MLG0603SR12JT000</a> |
| 130       | $\pm 3\%$      | 5         | 100                                  | 0.67                       | 0.84      | 7.30             | 5.68             | 50                        | <a href="#">MLG0603SR13HT000</a> |
| 130       | $\pm 5\%$      | 5         | 100                                  | 0.67                       | 0.84      | 7.30             | 5.68             | 50                        | <a href="#">MLG0603SR13JT000</a> |
| 150       | $\pm 3\%$      | 5         | 100                                  | 0.64                       | 0.77      | 8.00             | 6.24             | 50                        | <a href="#">MLG0603SR15HT000</a> |
| 150       | $\pm 5\%$      | 5         | 100                                  | 0.64                       | 0.77      | 8.00             | 6.24             | 50                        | <a href="#">MLG0603SR15JT000</a> |
| 160       | $\pm 3\%$      | 5         | 100                                  | 0.60                       | 0.73      | 8.30             | 6.67             | 50                        | <a href="#">MLG0603SR16HT000</a> |
| 160       | $\pm 5\%$      | 5         | 100                                  | 0.60                       | 0.73      | 8.30             | 6.67             | 50                        | <a href="#">MLG0603SR16JT000</a> |
| 180       | $\pm 3\%$      | 5         | 100                                  | 0.56                       | 0.68      | 8.50             | 6.99             | 50                        | <a href="#">MLG0603SR18HT000</a> |
| 180       | $\pm 5\%$      | 5         | 100                                  | 0.56                       | 0.68      | 8.50             | 6.99             | 50                        | <a href="#">MLG0603SR18JT000</a> |

\* Please contact us for information on inductance tolerance, G ( $\pm 2\%$ ).

## Measurement equipment

| Measurement item        | Product No.  | Manufacturer          |
|-------------------------|--------------|-----------------------|
| L, Q                    | 4291B+16197A | Keysight Technologies |
| Self-resonant frequency | 8720C        | Keysight Technologies |
| DC resistance           | Type-7561    | Yokogawa              |

\* Equivalent measurement equipment may be used.

## MLG0603S type

## L, Q FREQUENCY CHARACTERISTICS TABLE

| L(nH)typ. |        |        |        |        | Q typ. |        |        |        |        | Part No.*                        |
|-----------|--------|--------|--------|--------|--------|--------|--------|--------|--------|----------------------------------|
| 500MHz    | 800MHz | 1.8GHz | 2.0GHz | 2.4GHz | 500MHz | 800MHz | 1.8GHz | 2.0GHz | 2.4GHz |                                  |
| 0.3       | 0.3    | 0.3    | 0.3    | 0.3    | 14min. | 18min. | 29min. | 32min. | 35min. | <a href="#">MLG0603S0N3BT000</a> |
| 0.3       | 0.3    | 0.3    | 0.3    | 0.3    | 14min. | 18min. | 29min. | 32min. | 35min. | <a href="#">MLG0603S0N3CT000</a> |
| 0.4       | 0.4    | 0.4    | 0.4    | 0.4    | 14min. | 18min. | 29min. | 32min. | 35min. | <a href="#">MLG0603S0N4BT000</a> |
| 0.4       | 0.4    | 0.4    | 0.4    | 0.4    | 14min. | 18min. | 29min. | 32min. | 35min. | <a href="#">MLG0603S0N4CT000</a> |
| 0.5       | 0.5    | 0.5    | 0.5    | 0.5    | 14     | 18     | 29     | 32     | 35     | <a href="#">MLG0603S0N5BT000</a> |
| 0.5       | 0.5    | 0.5    | 0.5    | 0.5    | 14     | 18     | 29     | 32     | 35     | <a href="#">MLG0603S0N5CT000</a> |
| 0.6       | 0.6    | 0.5    | 0.5    | 0.5    | 16     | 20     | 33     | 34     | 39     | <a href="#">MLG0603S0N6BT000</a> |
| 0.6       | 0.6    | 0.5    | 0.5    | 0.5    | 16     | 20     | 33     | 34     | 39     | <a href="#">MLG0603S0N6CT000</a> |
| 0.7       | 0.6    | 0.6    | 0.6    | 0.6    | 16     | 21     | 33     | 35     | 39     | <a href="#">MLG0603S0N7BT000</a> |
| 0.7       | 0.6    | 0.6    | 0.6    | 0.6    | 16     | 21     | 33     | 35     | 39     | <a href="#">MLG0603S0N7CT000</a> |
| 0.7       | 0.7    | 0.7    | 0.7    | 0.7    | 15     | 20     | 32     | 34     | 38     | <a href="#">MLG0603S0N8BT000</a> |
| 0.7       | 0.7    | 0.7    | 0.7    | 0.7    | 15     | 20     | 32     | 34     | 38     | <a href="#">MLG0603S0N8CT000</a> |
| 0.8       | 0.8    | 0.8    | 0.8    | 0.8    | 15     | 19     | 30     | 32     | 35     | <a href="#">MLG0603S0N9BT000</a> |
| 0.8       | 0.8    | 0.8    | 0.8    | 0.8    | 15     | 19     | 30     | 32     | 35     | <a href="#">MLG0603S0N9CT000</a> |
| 0.9       | 0.9    | 0.9    | 0.9    | 0.9    | 14     | 18     | 29     | 30     | 34     | <a href="#">MLG0603S1N0BT000</a> |
| 0.9       | 0.9    | 0.9    | 0.9    | 0.9    | 14     | 18     | 29     | 30     | 34     | <a href="#">MLG0603S1N0CT000</a> |
| 0.9       | 0.9    | 0.9    | 0.9    | 0.9    | 14     | 18     | 29     | 30     | 34     | <a href="#">MLG0603S1N0ST000</a> |
| 1.0       | 1.0    | 1.0    | 1.0    | 1.0    | 14     | 19     | 29     | 31     | 34     | <a href="#">MLG0603S1N1BT000</a> |
| 1.0       | 1.0    | 1.0    | 1.0    | 1.0    | 14     | 19     | 29     | 31     | 34     | <a href="#">MLG0603S1N1CT000</a> |
| 1.0       | 1.0    | 1.0    | 1.0    | 1.0    | 14     | 19     | 29     | 31     | 34     | <a href="#">MLG0603S1N1ST000</a> |
| 1.1       | 1.1    | 1.1    | 1.1    | 1.1    | 14     | 18     | 29     | 30     | 34     | <a href="#">MLG0603S1N2BT000</a> |
| 1.1       | 1.1    | 1.1    | 1.1    | 1.1    | 14     | 18     | 29     | 30     | 34     | <a href="#">MLG0603S1N2CT000</a> |
| 1.1       | 1.1    | 1.1    | 1.1    | 1.1    | 14     | 18     | 29     | 30     | 34     | <a href="#">MLG0603S1N2ST000</a> |
| 1.2       | 1.2    | 1.2    | 1.2    | 1.2    | 14     | 18     | 29     | 30     | 33     | <a href="#">MLG0603S1N3BT000</a> |
| 1.2       | 1.2    | 1.2    | 1.2    | 1.2    | 14     | 18     | 29     | 30     | 33     | <a href="#">MLG0603S1N3CT000</a> |
| 1.2       | 1.2    | 1.2    | 1.2    | 1.2    | 14     | 18     | 29     | 30     | 33     | <a href="#">MLG0603S1N3ST000</a> |
| 1.4       | 1.4    | 1.4    | 1.4    | 1.4    | 15     | 19     | 29     | 30     | 34     | <a href="#">MLG0603S1N5BT000</a> |
| 1.4       | 1.4    | 1.4    | 1.4    | 1.4    | 15     | 19     | 29     | 30     | 34     | <a href="#">MLG0603S1N5CT000</a> |
| 1.4       | 1.4    | 1.4    | 1.4    | 1.4    | 15     | 19     | 29     | 30     | 34     | <a href="#">MLG0603S1N5ST000</a> |
| 1.5       | 1.5    | 1.5    | 1.5    | 1.5    | 14     | 18     | 29     | 30     | 33     | <a href="#">MLG0603S1N6BT000</a> |
| 1.5       | 1.5    | 1.5    | 1.5    | 1.5    | 14     | 18     | 29     | 30     | 33     | <a href="#">MLG0603S1N6CT000</a> |
| 1.5       | 1.5    | 1.5    | 1.5    | 1.5    | 14     | 18     | 29     | 30     | 33     | <a href="#">MLG0603S1N6ST000</a> |
| 1.7       | 1.7    | 1.7    | 1.7    | 1.7    | 15     | 19     | 29     | 30     | 33     | <a href="#">MLG0603S1N8BT000</a> |
| 1.7       | 1.7    | 1.7    | 1.7    | 1.7    | 15     | 19     | 29     | 30     | 33     | <a href="#">MLG0603S1N8CT000</a> |
| 1.7       | 1.7    | 1.7    | 1.7    | 1.7    | 15     | 19     | 29     | 30     | 33     | <a href="#">MLG0603S1N8ST000</a> |
| 1.9       | 1.9    | 1.9    | 1.9    | 1.9    | 14     | 18     | 28     | 29     | 32     | <a href="#">MLG0603S2N0BT000</a> |
| 1.9       | 1.9    | 1.9    | 1.9    | 1.9    | 14     | 18     | 28     | 29     | 32     | <a href="#">MLG0603S2N0CT000</a> |
| 1.9       | 1.9    | 1.9    | 1.9    | 1.9    | 14     | 18     | 28     | 29     | 32     | <a href="#">MLG0603S2N0ST000</a> |
| 2.1       | 2.0    | 2.1    | 2.1    | 2.1    | 14     | 18     | 27     | 28     | 31     | <a href="#">MLG0603S2N2BT000</a> |
| 2.1       | 2.0    | 2.1    | 2.1    | 2.1    | 14     | 18     | 27     | 28     | 31     | <a href="#">MLG0603S2N2CT000</a> |
| 2.1       | 2.0    | 2.1    | 2.1    | 2.1    | 14     | 18     | 27     | 28     | 31     | <a href="#">MLG0603S2N2ST000</a> |
| 2.2       | 2.2    | 2.2    | 2.3    | 2.3    | 14     | 18     | 27     | 29     | 32     | <a href="#">MLG0603S2N4BT000</a> |
| 2.2       | 2.2    | 2.2    | 2.3    | 2.3    | 14     | 18     | 27     | 29     | 32     | <a href="#">MLG0603S2N4CT000</a> |
| 2.2       | 2.2    | 2.2    | 2.3    | 2.3    | 14     | 18     | 27     | 29     | 32     | <a href="#">MLG0603S2N4ST000</a> |
| 2.5       | 2.5    | 2.6    | 2.6    | 2.7    | 15     | 19     | 28     | 29     | 31     | <a href="#">MLG0603S2N7BT000</a> |
| 2.5       | 2.5    | 2.6    | 2.6    | 2.7    | 15     | 19     | 28     | 29     | 31     | <a href="#">MLG0603S2N7CT000</a> |
| 2.5       | 2.5    | 2.6    | 2.6    | 2.7    | 15     | 19     | 28     | 29     | 31     | <a href="#">MLG0603S2N7ST000</a> |

\* Please contact us for information on inductance tolerance, G ( $\pm 2\%$ ).

## Measurement equipment

| Product No.  | Manufacturer          |
|--------------|-----------------------|
| 4291B+16197A | Keysight Technologies |

\* Equivalent measurement equipment may be used.

## MLG0603S type

## L, Q FREQUENCY CHARACTERISTICS TABLE

| L(nH)typ. |        |        |        |        | Q typ. |        |        |        |        | Part No.*                        |
|-----------|--------|--------|--------|--------|--------|--------|--------|--------|--------|----------------------------------|
| 500MHz    | 800MHz | 1.8GHz | 2.0GHz | 2.4GHz | 500MHz | 800MHz | 1.8GHz | 2.0GHz | 2.4GHz |                                  |
| 2.8       | 2.8    | 2.9    | 2.9    | 3.0    | 15     | 19     | 29     | 31     | 33     | <a href="#">MLG0603S3N0BT000</a> |
| 2.8       | 2.8    | 2.9    | 2.9    | 3.0    | 15     | 19     | 29     | 31     | 33     | <a href="#">MLG0603S3N0CT000</a> |
| 2.8       | 2.8    | 2.9    | 2.9    | 3.0    | 15     | 19     | 29     | 31     | 33     | <a href="#">MLG0603S3N0ST000</a> |
| 3.1       | 3.1    | 3.2    | 3.3    | 3.4    | 15     | 19     | 28     | 29     | 31     | <a href="#">MLG0603S3N3BT000</a> |
| 3.1       | 3.1    | 3.2    | 3.3    | 3.4    | 15     | 19     | 28     | 29     | 31     | <a href="#">MLG0603S3N3CT000</a> |
| 3.1       | 3.1    | 3.2    | 3.3    | 3.4    | 15     | 19     | 28     | 29     | 31     | <a href="#">MLG0603S3N3ST000</a> |
| 3.4       | 3.4    | 3.5    | 3.6    | 3.7    | 14     | 18     | 26     | 27     | 29     | <a href="#">MLG0603S3N6BT000</a> |
| 3.4       | 3.4    | 3.5    | 3.6    | 3.7    | 14     | 18     | 26     | 27     | 29     | <a href="#">MLG0603S3N6CT000</a> |
| 3.4       | 3.4    | 3.5    | 3.6    | 3.7    | 14     | 18     | 26     | 27     | 29     | <a href="#">MLG0603S3N6ST000</a> |
| 3.7       | 3.7    | 3.8    | 3.9    | 4.1    | 15     | 19     | 29     | 29     | 32     | <a href="#">MLG0603S3N9BT000</a> |
| 3.7       | 3.7    | 3.8    | 3.9    | 4.1    | 15     | 19     | 29     | 29     | 32     | <a href="#">MLG0603S3N9CT000</a> |
| 3.7       | 3.7    | 3.8    | 3.9    | 4.1    | 15     | 19     | 29     | 29     | 32     | <a href="#">MLG0603S3N9ST000</a> |
| 4.1       | 4.1    | 4.3    | 4.4    | 4.6    | 14     | 18     | 27     | 27     | 29     | <a href="#">MLG0603S4N3HT000</a> |
| 4.1       | 4.1    | 4.3    | 4.4    | 4.6    | 14     | 18     | 27     | 27     | 29     | <a href="#">MLG0603S4N3ST000</a> |
| 4.4       | 4.4    | 4.8    | 4.9    | 5.2    | 15     | 20     | 28     | 29     | 30     | <a href="#">MLG0603S4N7HT000</a> |
| 4.4       | 4.4    | 4.8    | 4.9    | 5.2    | 15     | 20     | 28     | 29     | 30     | <a href="#">MLG0603S4N7ST000</a> |
| 4.8       | 4.8    | 5.1    | 5.3    | 5.6    | 14     | 18     | 25     | 26     | 27     | <a href="#">MLG0603S5N1HT000</a> |
| 4.8       | 4.8    | 5.1    | 5.3    | 5.6    | 14     | 18     | 25     | 26     | 27     | <a href="#">MLG0603S5N1ST000</a> |
| 5.3       | 5.3    | 5.7    | 5.9    | 6.4    | 16     | 20     | 27     | 28     | 29     | <a href="#">MLG0603S5N6HT000</a> |
| 5.3       | 5.3    | 5.7    | 5.9    | 6.4    | 16     | 20     | 27     | 28     | 29     | <a href="#">MLG0603S5N6ST000</a> |
| 5.9       | 5.9    | 6.5    | 6.8    | 7.5    | 15     | 18     | 25     | 25     | 26     | <a href="#">MLG0603S6N2HT000</a> |
| 5.9       | 5.9    | 6.5    | 6.8    | 7.5    | 15     | 18     | 25     | 25     | 26     | <a href="#">MLG0603S6N2ST000</a> |
| 6.4       | 6.5    | 7.4    | 7.8    | 8.7    | 15     | 19     | 26     | 26     | 25     | <a href="#">MLG0603S6N8HT000</a> |
| 6.4       | 6.5    | 7.4    | 7.8    | 8.7    | 15     | 19     | 26     | 26     | 25     | <a href="#">MLG0603S6N8JT000</a> |
| 7.1       | 7.1    | 7.8    | 8.0    | 8.7    | 14     | 18     | 25     | 26     | 26     | <a href="#">MLG0603S7N5HT000</a> |
| 7.1       | 7.1    | 7.8    | 8.0    | 8.7    | 14     | 18     | 25     | 26     | 26     | <a href="#">MLG0603S7N5JT000</a> |
| 7.8       | 7.8    | 8.8    | 9.3    | 10.4   | 15     | 18     | 24     | 24     | 24     | <a href="#">MLG0603S8N2HT000</a> |
| 7.8       | 7.8    | 8.8    | 9.3    | 10.4   | 15     | 18     | 24     | 24     | 24     | <a href="#">MLG0603S8N2JT000</a> |
| 8.6       | 8.6    | 9.8    | 10.3   | 11.5   | 14     | 17     | 22     | 22     | 22     | <a href="#">MLG0603S9N1HT000</a> |
| 8.6       | 8.6    | 9.8    | 10.3   | 11.5   | 14     | 17     | 22     | 22     | 22     | <a href="#">MLG0603S9N1JT000</a> |
| 10        | 10     | 12     | 12     | 15     | 15     | 18     | 23     | 22     | 21     | <a href="#">MLG0603S10NHT000</a> |
| 10        | 10     | 12     | 12     | 15     | 15     | 18     | 23     | 22     | 21     | <a href="#">MLG0603S10NJT000</a> |
| 10        | 11     | 13     | 14     | 16     | 15     | 18     | 22     | 22     | 20     | <a href="#">MLG0603S11NHT000</a> |
| 10        | 11     | 13     | 14     | 16     | 15     | 18     | 22     | 22     | 20     | <a href="#">MLG0603S11NJT000</a> |
| 11        | 12     | 14     | 15     | 19     | 16     | 19     | 24     | 23     | 20     | <a href="#">MLG0603S12NHT000</a> |
| 11        | 12     | 14     | 15     | 19     | 16     | 19     | 24     | 23     | 20     | <a href="#">MLG0603S12NJT000</a> |
| 12        | 13     | 16     | 17     | 22     | 14     | 16     | 19     | 18     | 15     | <a href="#">MLG0603S13NHT000</a> |
| 12        | 13     | 16     | 17     | 22     | 14     | 16     | 19     | 18     | 15     | <a href="#">MLG0603S13NJT000</a> |
| 14        | 15     | 20     | 23     | 33     | 15     | 19     | 20     | 18     | 14     | <a href="#">MLG0603S15NHT000</a> |
| 14        | 15     | 20     | 23     | 33     | 15     | 19     | 20     | 18     | 14     | <a href="#">MLG0603S15NJT000</a> |
| 15        | 16     | 22     | 25     | 37     | 14     | 16     | 16     | 15     | 11     | <a href="#">MLG0603S16NHT000</a> |
| 15        | 16     | 22     | 25     | 37     | 14     | 16     | 16     | 15     | 11     | <a href="#">MLG0603S16NJT000</a> |
| 17        | 18     | 28     | 35     |        | 14     | 17     | 15     | 13     |        | <a href="#">MLG0603S18NHT000</a> |
| 17        | 18     | 28     | 35     |        | 14     | 17     | 15     | 13     |        | <a href="#">MLG0603S18NJT000</a> |
| 19        | 20     | 32     |        |        | 13     | 16     | 14     |        |        | <a href="#">MLG0603S20NHT000</a> |
| 19        | 20     | 32     |        |        | 13     | 16     | 14     |        |        | <a href="#">MLG0603S20NJT000</a> |
| 21        | 23     | 40     |        |        | 15     | 17     | 13     |        |        | <a href="#">MLG0603S22NHT000</a> |

\* Please contact us for information on inductance tolerance, G ( $\pm 2\%$ ).

## Measurement equipment

| Product No.  | Manufacturer          |
|--------------|-----------------------|
| 4291B+16197A | Keysight Technologies |

\* Equivalent measurement equipment may be used.

## MLG0603S type

## L, Q FREQUENCY CHARACTERISTICS TABLE

| L(nH)typ. |        |        |        |        | Q typ. |        |        |        |        | Part No.*                        |
|-----------|--------|--------|--------|--------|--------|--------|--------|--------|--------|----------------------------------|
| 500MHz    | 800MHz | 1.8GHz | 2.0GHz | 2.4GHz | 500MHz | 800MHz | 1.8GHz | 2.0GHz | 2.4GHz |                                  |
| 21        | 23     | 40     |        |        | 15     | 17     | 13     |        |        | <a href="#">MLG0603S22NJT000</a> |
| 23        | 24     | 45     |        |        | 13     | 15     | 13     |        |        | <a href="#">MLG0603S24NHT000</a> |
| 23        | 24     | 45     |        |        | 13     | 15     | 13     |        |        | <a href="#">MLG0603S24NJT000</a> |
| 27        | 29     |        |        |        | 15     | 17     |        |        |        | <a href="#">MLG0603S27NHT000</a> |
| 27        | 29     |        |        |        | 15     | 17     |        |        |        | <a href="#">MLG0603S27NJT000</a> |
| 29        | 32     |        |        |        | 13     | 15     |        |        |        | <a href="#">MLG0603S30NHT000</a> |
| 29        | 32     |        |        |        | 13     | 15     |        |        |        | <a href="#">MLG0603S30NJT000</a> |
| 33        | 36     |        |        |        | 14     | 16     |        |        |        | <a href="#">MLG0603S33NHT000</a> |
| 33        | 36     |        |        |        | 14     | 16     |        |        |        | <a href="#">MLG0603S33NJT000</a> |
| 36        | 40     |        |        |        | 14     | 15     |        |        |        | <a href="#">MLG0603S36NHT000</a> |
| 36        | 40     |        |        |        | 14     | 15     |        |        |        | <a href="#">MLG0603S36NJT000</a> |
| 40        | 47     |        |        |        | 13     | 14     |        |        |        | <a href="#">MLG0603S39NHT000</a> |
| 40        | 47     |        |        |        | 13     | 14     |        |        |        | <a href="#">MLG0603S39NJT000</a> |
| 44        | 53     |        |        |        | 14     | 14     |        |        |        | <a href="#">MLG0603S43NHT000</a> |
| 44        | 53     |        |        |        | 14     | 14     |        |        |        | <a href="#">MLG0603S43NJT000</a> |
| 49        | 60     |        |        |        | 13     | 13     |        |        |        | <a href="#">MLG0603S47NHT000</a> |
| 49        | 60     |        |        |        | 13     | 13     |        |        |        | <a href="#">MLG0603S47NJT000</a> |
| 52        | 64     |        |        |        | 11     | 11     |        |        |        | <a href="#">MLG0603S51NHT000</a> |
| 52        | 64     |        |        |        | 11     | 11     |        |        |        | <a href="#">MLG0603S51NJT000</a> |
| 59        | 77     |        |        |        | 12     | 11     |        |        |        | <a href="#">MLG0603S56NHT000</a> |
| 59        | 77     |        |        |        | 12     | 11     |        |        |        | <a href="#">MLG0603S56NJT000</a> |
| 66        | 88     |        |        |        | 11     | 10     |        |        |        | <a href="#">MLG0603S62NHT000</a> |
| 66        | 88     |        |        |        | 11     | 10     |        |        |        | <a href="#">MLG0603S62NJT000</a> |
| 74        | 104    |        |        |        | 13     | 11     |        |        |        | <a href="#">MLG0603S68NHT000</a> |
| 74        | 104    |        |        |        | 13     | 11     |        |        |        | <a href="#">MLG0603S68NJT000</a> |
| 82        | 119    |        |        |        | 10     | 8      |        |        |        | <a href="#">MLG0603S75NHT000</a> |
| 82        | 119    |        |        |        | 10     | 8      |        |        |        | <a href="#">MLG0603S75NJT000</a> |
| 96        | 161    |        |        |        | 12     | 8      |        |        |        | <a href="#">MLG0603S82NHT000</a> |
| 96        | 161    |        |        |        | 12     | 8      |        |        |        | <a href="#">MLG0603S82NJT000</a> |
| 109       |        |        |        |        | 9      |        |        |        |        | <a href="#">MLG0603S91NHT000</a> |
| 109       |        |        |        |        | 9      |        |        |        |        | <a href="#">MLG0603S91NJT000</a> |
| 129       |        |        |        |        | 11     |        |        |        |        | <a href="#">MLG0603SR10HT000</a> |
| 129       |        |        |        |        | 11     |        |        |        |        | <a href="#">MLG0603SR10JT000</a> |
| 134       |        |        |        |        | 10     |        |        |        |        | <a href="#">MLG0603SR11HT000</a> |
| 134       |        |        |        |        | 10     |        |        |        |        | <a href="#">MLG0603SR11JT000</a> |
| 156       |        |        |        |        | 9      |        |        |        |        | <a href="#">MLG0603SR12HT000</a> |
| 156       |        |        |        |        | 9      |        |        |        |        | <a href="#">MLG0603SR12JT000</a> |
| 172       |        |        |        |        | 8      |        |        |        |        | <a href="#">MLG0603SR13HT000</a> |
| 172       |        |        |        |        | 8      |        |        |        |        | <a href="#">MLG0603SR13JT000</a> |
| 223       |        |        |        |        | 7      |        |        |        |        | <a href="#">MLG0603SR15HT000</a> |
| 223       |        |        |        |        | 7      |        |        |        |        | <a href="#">MLG0603SR15JT000</a> |
| 238       |        |        |        |        | 7      |        |        |        |        | <a href="#">MLG0603SR16HT000</a> |
| 238       |        |        |        |        | 7      |        |        |        |        | <a href="#">MLG0603SR16JT000</a> |
| 318       |        |        |        |        | 6      |        |        |        |        | <a href="#">MLG0603SR18HT000</a> |
| 318       |        |        |        |        | 6      |        |        |        |        | <a href="#">MLG0603SR18JT000</a> |

\* Please contact us for information on inductance tolerance, G ( $\pm 2\%$ ).

## Measurement equipment

| Product No.  | Manufacturer          |
|--------------|-----------------------|
| 4291B+16197A | Keysight Technologies |

\* Equivalent measurement equipment may be used.

# MLG0603S type

## L FREQUENCY CHARACTERISTICS (EXAMPLE)



Measurement equipment

| Product No.    | Manufacturer          |
|----------------|-----------------------|
| E4991A +16197A | Keysight Technologies |

\* Equivalent measurement equipment may be used.

# MLG0603S type

## Q FREQUENCY CHARACTERISTICS (EXAMPLE)



Measurement equipment

| Product No.    | Manufacturer          |
|----------------|-----------------------|
| E4991A +16197A | Keysight Technologies |

\* Equivalent measurement equipment may be used.

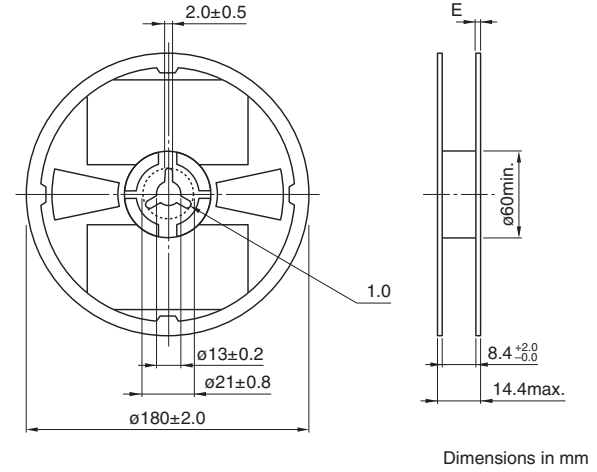
# MLG0603S type

## SHAPE & DIMENSIONS



## PACKAGING STYLE

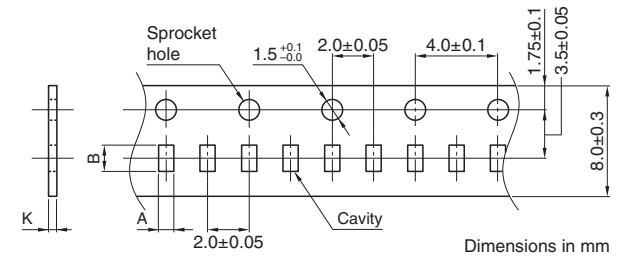
### REEL DIMENSIONS



## RECOMMENDED LAND PATTERN



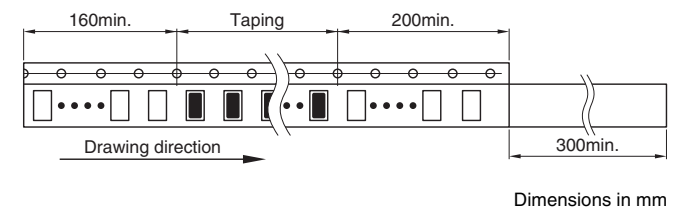
### TAPE DIMENSIONS



## RECOMMENDED REFLOW PROFILE



| Type     | A         | B         | K        |
|----------|-----------|-----------|----------|
| MLG0603S | 0.38±0.05 | 0.68±0.05 | 0.5 max. |



### PACKAGE QUANTITY

|                  |                |
|------------------|----------------|
| Package quantity | 15000 pcs/reel |
|------------------|----------------|

## TEMPERATURE RANGE, INDIVIDUAL WEIGHT

| Operating temperature range | Storage temperature range* | Individual weight |
|-----------------------------|----------------------------|-------------------|
| -55 to +125 °C              | -55 to +125 °C             | 0.2 mg            |

\* The storage temperature range is for after the assembly.

## REMINDERS FOR USING THESE PRODUCTS

Before using these products, be sure to request the delivery specifications.

### SAFETY REMINDERS

Please pay sufficient attention to the warnings for safe designing when using this products.

#### REMINDERS

- The storage period is less than 12 months. Be sure to follow the storage conditions (temperature: 5 to 40°C, humidity: 10 to 75% RH or less).  
If the storage period elapses, the soldering of the terminal electrodes may deteriorate.
- Do not use or store in locations where there are conditions such as gas corrosion (salt, acid, alkali, etc.).
- Before soldering, be sure to preheat components.  
The preheating temperature should be set so that the temperature difference between the solder temperature and chip temperature does not exceed 150°C.
- Soldering corrections after mounting should be within the range of the conditions determined in the specifications.  
If overheated, a short circuit, performance deterioration, or lifespan shortening may occur.
- When embedding a printed circuit board where a chip is mounted to a set, be sure that residual stress is not given to the chip due to the overall distortion of the printed circuit board and partial distortion such as at screw tightening portions.
- Self heating (temperature increase) occurs when the power is turned ON, so the tolerance should be sufficient for the set thermal design.
- Carefully lay out the coil for the circuit board design of the non-magnetic shield type.  
A malfunction may occur due to magnetic interference.
- Use a wrist band to discharge static electricity in your body through the grounding wire.
- Do not expose the products to magnets or magnetic fields.
- Do not use for a purpose outside of the contents regulated in the delivery specifications.
- The products listed on this catalog are intended for use in general electronic equipment (AV equipment, telecommunications equipment, home appliances, amusement equipment, computer equipment, personal equipment, office equipment, measurement equipment, industrial robots) under a normal operation and use condition.  
The products are not designed or warranted to meet the requirements of the applications listed below, whose performance and/or quality require a more stringent level of safety or reliability, or whose failure, malfunction or trouble could cause serious damage to society, person or property.  
If you intend to use the products in the applications listed below or if you have special requirements exceeding the range or conditions set forth in the each catalog, please contact us.

- (1) Aerospace/aviation equipment
- (2) Transportation equipment (cars, electric trains, ships, etc.)
- (3) Medical equipment
- (4) Power-generation control equipment
- (5) Atomic energy-related equipment
- (6) Seabed equipment
- (7) Transportation control equipment

- (8) Public information-processing equipment
- (9) Military equipment
- (10) Electric heating apparatus, burning equipment
- (11) Disaster prevention/crime prevention equipment
- (12) Safety equipment
- (13) Other applications that are not considered general-purpose applications

When designing your equipment even for general-purpose applications, you are kindly requested to take into consideration securing protection circuit/device or providing backup circuits in your equipment.

## Looking for pricing, stock, or lifecycle information?

Click below to explore more details on WIN SOURCE:

 [View MLG0603S4N3HT000 on WIN SOURCE](#)

 [TDK Corporation](#) Information

## Optimize Your Supply Chain with WIN SOURCE Solutions

-  Global Sourcing Solution
-  Obsolete Management
-  Cost Control Management
-  Shortage Management
-  Alternative Solution
-  Excess Inventory Management