



THE DATASHEET OF MIC5821YN





MIC5821/5822

8-Bit Serial-Input Latched Drivers

Final Information

General Description

BiCMOS technology gives the MIC5821/5822 family flexibility beyond the reach of standard logic buffers and power driver arrays. These devices each have an eight-bit CMOS shift register, CMOS control circuitry, eight CMOS data latches, and eight bipolar current-sink Darlington output drivers. The 500mA outputs are suitable for use with incandescent bulbs and other moderate to high current loads. The drivers can be operated with a split supply where the negative supply is down to $-20V$. Except for maximum driver output voltage ratings, the MIC5821 and MIC5822 are identical.

These devices have greatly improved data-input rates. With a 5V logic supply they will typically operate faster than 5 MHz. With a 12V supply significantly higher speeds are obtained. The CMOS inputs are compatible with standard CMOS, PMOS, and NMOS logic levels. TTL and DTL circuits may require the use of appropriate pull-up resistors. By using the serial data output, the drivers can be cascaded for interface applications requiring additional drive lines.

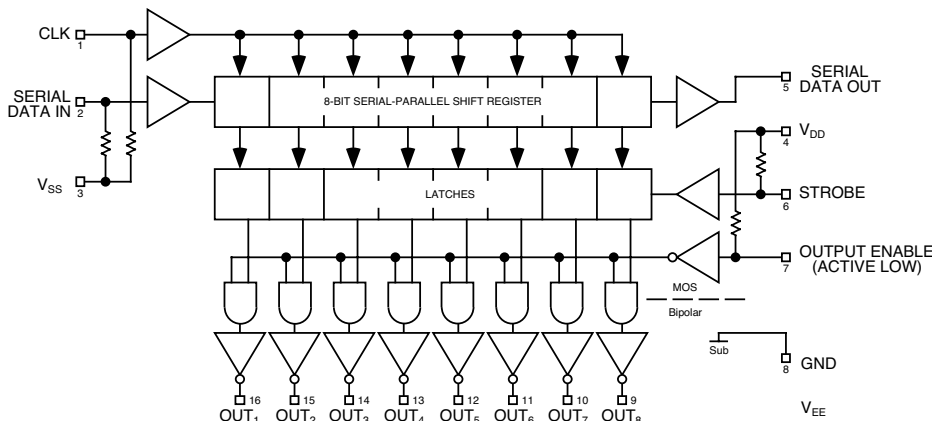
Features

- 3.3 MHz Minimum Data-Input Rate
- CMOS, PMOS, NMOS, TTL Compatible
- Internal Pull-Down or Pull-Up Resistors
- Low-Power CMOS Logic and Latches
- High-Voltage Current-Sink Outputs
- Single or Split Supply Operation

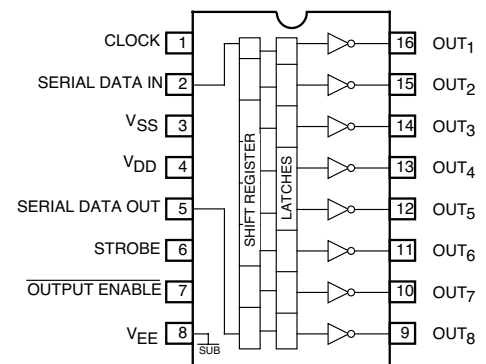
Ordering Information

Part Number		Temp Range	Package
Standard	Pb-Free		
MIC5821BN	MIC5821YN	$-40^{\circ}C$ to $+85^{\circ}C$	16-Pin Plastic DIP
MIC5822BN	MIC5822YN	$-40^{\circ}C$ to $+85^{\circ}C$	16-Pin Plastic DIP

Functional Diagram

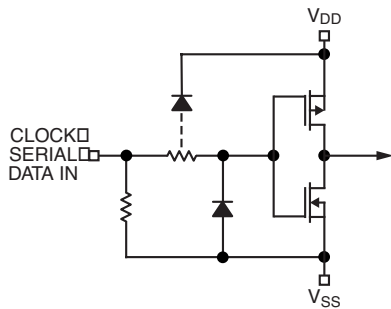
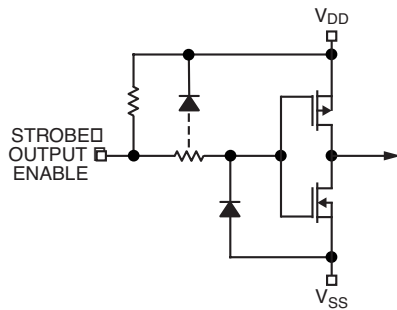


Pin Configuration



(Plastic DIP)

Typical Input Circuits



Absolute Maximum Ratings (Note 1)

at 25°C Free-Air Temperature and $V_{SS} = 0V$

Output Voltage, V_{CE}	(MIC5821)	50V
	(MIC5822)	80V
Output Voltage, $V_{CE\ SUS}$	(MIC5821)(Note 3)	35V
	(MIC5822)(Note 3)	50V
Logic Supply Voltage, V_{DD}		15V
Input Voltage Range, V_{IN}		$-0.3V$ to $V_{DD} + 0.3V$
$V_{DD} - V_{EE}$		25V
Emitter Supply Voltage, V_{EE}		-20V
Continuous Output Current, I_{OUT}		500mA
Package Power Dissipation, P_D (Note 1)		1.67W
Operating Temperature Range, T_A		$-55^{\circ}C$ to $+85^{\circ}C$
Storage Temperature Range, T_S		$-65^{\circ}C$ to $+150^{\circ}C$

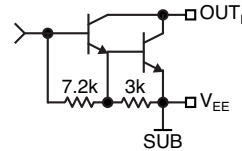
Note 1: Derate at the rate of 16.7mW/°C above $T_A = 25^{\circ}C$.

Note 2: CMOS devices have input static protection but are susceptible to damage when exposed to extremely high static electrical charges.

Note 3: For inductive load applications.

Note 4: Specification for packaged product only.

Typical Output Driver



Maximum Allowable Duty Cycle (Plastic DIP)

Number of Outputs ON ($I_{OUT} = 200mA$ $V_{DD} = 12V$)	Maximum Allowable Duty Cycle at Ambient Temperature of				
	25°C	40°C	50°C	60°C	70°C
8	73%	62%	55%	47%	40%
7	83%	71%	62%	54%	46%
6	97%	82%	72%	63%	53%
5	100%	98%	87%	75%	63%
4	100%	100%	100%	93%	79%
3	100%	100%	100%	100%	100%
2	100%	100%	100%	100%	100%
1	100%	100%	100%	100%	100%

Electrical Characteristics (Note 4) at $T_A = 25^\circ\text{C}$, $V_{DD} = 5\text{V}$, $V_{EE} = V_{SS} = 0\text{V}$ (unless otherwise specified)

Characteristic	Symbol	Applicable Devices	Test Conditions	Limits		
				Min.	Max.	Unit
Output Leakage Current	I_{CEX}	MIC5821	$V_{OUT} = 50\text{V}$		50	μA
			$V_{OUT} = 50\text{V}$, $T_A = +70^\circ\text{C}$		100	
		MIC5822	$V_{OUT} = 80\text{V}$		50	
			$V_{OUT} = 80\text{V}$, $T_A = +70^\circ\text{C}$		100	
Collector-Emitter Saturation Voltage	$V_{CE(SAT)}$	Both	$I_{OUT} = 100\text{mA}$		1.1	V
			$I_{OUT} = 200\text{mA}$		1.3	
			$I_{OUT} = 350\text{mA}$, $V_{DD} = 7.0\text{V}$		1.6	
Input Voltage	$V_{IN(0)}$	Both			0.8	V
	$V_{IN(1)}$	Both	$V_{DD} = 12\text{V}$	10.5		
			$V_{DD} = 10\text{V}$	8.5		
			$V_{DD} = 5.0\text{V}$	3.5		
Input Resistance	R_{IN}	Both	$V_{DD} = 12\text{V}$	50		$\text{k}\Omega$
			$V_{DD} = 10\text{V}$	50		
			$V_{DD} = 5.0\text{V}$	50		
Supply Current	$I_{DD(ON)}$	Both	One Driver ON, $V_{DD} = 12\text{V}$		4.5	mA
			One Driver ON, $V_{DD} = 10\text{V}$		3.9	
			One Driver ON, $V_{DD} = 5.0\text{V}$		2.4	
			All Drivers ON, $V_{DD} = 12\text{V}$		16	
			All Drivers ON, $V_{DD} = 10\text{V}$		14	
			All Drivers ON, $V_{DD} = 5.0\text{V}$		8	
	$I_{DD(OFF)}$	Both	All Drivers OFF, $V_{DD} = 5.0\text{V}$, All Inputs = 0V		1.6	
			All Drivers OFF, $V_{DD} = 12\text{V}$, All Inputs = 0V		2.9	

Electrical Characteristics (Note 4) $T_A = -55^\circ\text{C}$, $V_{DD} = 5\text{V}$, $V_{SS} = V_{EE} = 0\text{V}$ (unless otherwise noted)

Characteristic	Symbol	Test Conditions	Limits			
			Min.	Max.	Unit	
Output Leakage Current	I_{CEX}	$V_{OUT} = 80\text{V}$		50	μA	
Collector-Emitter Saturation Voltage	$V_{CE(SAT)}$	$I_{OUT} = 100\text{mA}$		1.3	V	
		$I_{OUT} = 200\text{mA}$		1.5		
		$I_{OUT} = 350\text{mA}$, $V_{DD} = 7.0\text{V}$		1.8		
Input Voltage	$V_{IN(0)}$			0.8	V	
	$V_{IN(1)}$	$V_{DD} = 12\text{V}$	10.5			
		$V_{DD} = 5.0\text{V}$	3.5			
Input Resistance	R_{IN}	$V_{DD} = 12\text{V}$	35		$\text{k}\Omega$	
		$V_{DD} = 10\text{V}$	35			
		$V_{DD} = 5.0\text{V}$	35			
Supply Current	$I_{DD(ON)}$	Both	One Driver ON, $V_{DD} = 12\text{V}$		5.5	mA
			One Driver ON, $V_{DD} = 10\text{V}$		4.5	
			One Driver ON, $V_{DD} = 5.0\text{V}$		3.0	
			All Drivers ON, $V_{DD} = 12\text{V}$		16	
			All Drivers ON, $V_{DD} = 10\text{V}$		14	
			All Drivers ON, $V_{DD} = 5.0\text{V}$		10	
	$I_{DD(OFF)}$	Both	All Drivers OFF, $V_{DD} = 12\text{V}$		3.5	
			All Drivers OFF, $V_{DD} = 5.0\text{V}$		2.0	

Timing Conditions

($T_A = +25^\circ\text{C}$, Logic Levels are V_{DD} and V_{SS})

$V_{DD} = 5.0\text{V}$

A. Minimum Data Active Time Before Clock Pulse (Data Set-Up Time)	75 ns
B. Minimum Data Active Time After Clock Pulse (Data Hold Time)	75 ns
C. Minimum Data Pulse Width	150 ns
D. Minimum Clock Pulse Width	150 ns
E. Minimum Time Between Clock Activation and Strobe	300 ns
F. Minimum Strobe Pulse Width	100 ns
G. Typical Time Between Strobe Activation and Output Transition	500 ns

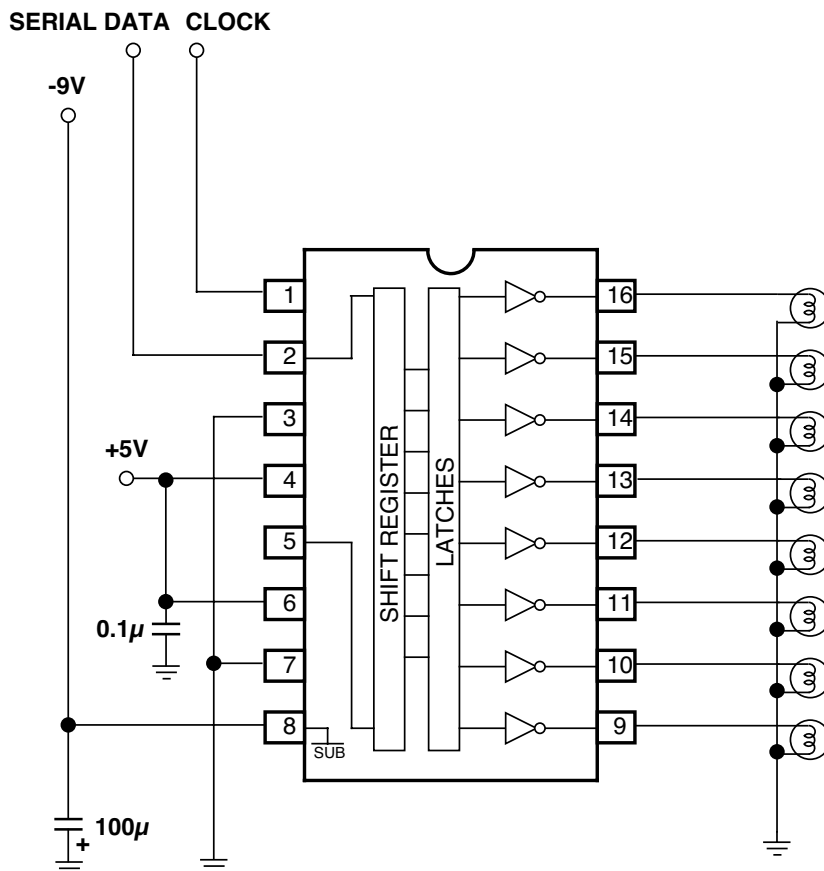
SERIAL DATA present at the input is transferred to the shift register on the logic "0" to logic "1" transition of the CLOCK input pulse. On succeeding CLOCK pulses, the registers shift data information towards the SERIAL DATA OUTPUT. The SERIAL DATA must appear at the input prior to the rising edge of the CLOCK input waveform.

Information present at any register is transferred to its respective latch when the STROBE is high (serial-to-parallel conversion). The latches will continue to accept new data as long as the STROBE is held high. Applications where the latches are bypassed (STROBE tied high) will require that the ENABLE input be high during serial entry.

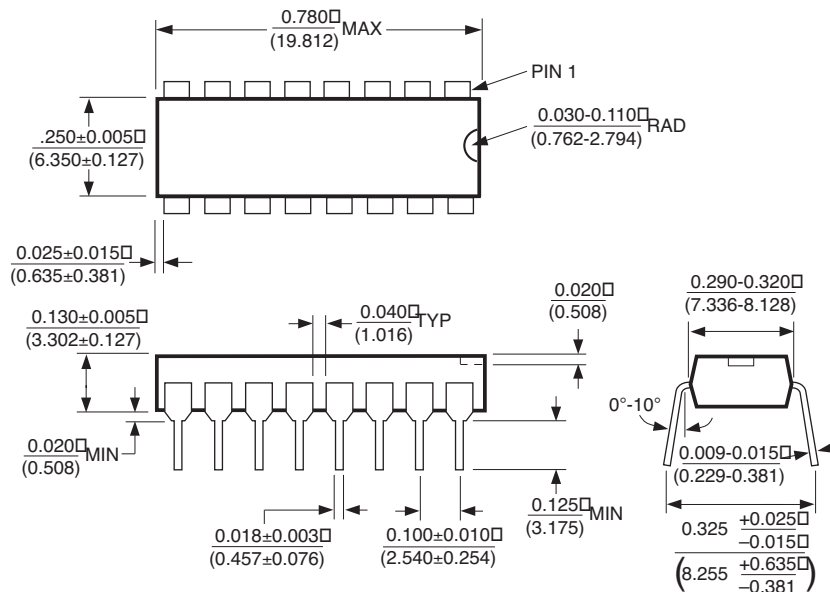
When the ENABLE input is high, all of the output buffers are disabled (OFF) without affecting the information stored in the latches or shift register. With the ENABLE input low, the outputs are controlled by the state of the latches.

Typical Applications

MIC5822 Level Shifting Lamp Driver with Darlington Emitters Tied to a Negative Supply



Package Information



16-Pin Plastic DIP (N)

MICREL INC. 2180 FORTUNE DRIVE SAN JOSE, CA 95131 USATEL + 1 (408) 944-0800 FAX + 1 (408) 474-1000 WEB <http://www.micrel.com>

This information furnished by Micrel in this data sheet is believed to be accurate and reliable. However no responsibility is assumed by Micrel for its use. Micrel reserves the right to change circuitry and specifications at any time without notification to the customer.

Micrel Products are not designed or authorized for use as components in life support appliances, devices or systems where malfunction of a product can reasonably be expected to result in personal injury. Life support devices or systems are devices or systems that (a) are intended for surgical implant into the body or (b) support or sustain life, and whose failure to perform can be reasonably expected to result in a significant injury to the user. A Purchaser's use or sale of Micrel Products for use in life support appliances, devices or systems is a Purchaser's own risk and Purchaser agrees to fully indemnify Micrel for any damages resulting from such use or sale.

© 1998 Micrel Incorporated

Looking for pricing, stock, or lifecycle information?

Click below to explore more details on WIN SOURCE:

- ⊖ [View MIC5821YN on WIN SOURCE](#)
- ⊖ [Microchip Technology](#) Information

Optimize Your Supply Chain with WIN SOURCE Solutions

- ✓ Global Sourcing Solution
- ✓ Obsolete Management
- ✓ Cost Control Management
- ✓ Shortage Management
- ✓ Alternative Solution
- ✓ Excess Inventory Management