

---

---

## Mixed Signal Mobile Embedded Flash ARC EC BC-Link/ VLPC Base Component

---

---

### Product Features

- 3.3V Operation
- ACPI Compliant
- LPC Interface
  - LPC I/O and Trusted Cycles Decoded
- VTR (standby) and VBAT (Power Planes)
  - Low Standby Current in Sleep Mode
- Configuration Register Set
  - Compatible with ISA Plug-and-Play Standard
  - EC-Programmable Base Address
- ARC-625D Embedded Controller (EC)
  - 16 KB Single Cycle 32-bit Wide Dual-ported SRAM, Accessible as Closely Coupled Data Memory and Instruction Memory
  - 2 KB Instruction Cache and AHB Memory-mapped SPI Flash Read Controller
  - 32 x 32 x 64 Fast Multiply
  - Divide Assist and Saturation Arithmetic
  - Maskable Interrupt Aggregator/Accelerator Interface
  - Maskable Hardware Wake-Up Events
  - Sleep mode
  - JTAG Debug Port, Includes JTAG Master
  - MCU Serial Debug Port
  - 8-Channel DMA Interface Supports SMBus Controllers and EC/Host GP-SPI Controllers
- Embedded Flash
  - 192 KB user space + 2kB info block, 32-bit Access, 35ns Access Time, 1 K Cycles Endurance
  - Programmable by LPC, EC and JTAG Interfaces
  - Flash Security Enhancements
    - 4K Boot Block Protection
    - Direct JTAG and Direct LPC-protected (2) Pages at or Near Top of Memory for Password Protection
- Legacy Support
  - Fast GATEA20 & Fast CPU\_RESET
- System to EC Message Interface
  - 8042 Style Host Interface
- Embedded Memory Interface
  - Host Serial or Parallel IRQ Source
  - Provides Two Windows to On-Chip SRAM for Host Access
  - Two Register Mailbox Command Interface
  - Host Access of Virtual Registers Without EC Intervention
- Mailbox Registers Interface
  - Thirty-two 8-Bit Scratch Registers
  - Two Register Mailbox Command Interface
  - Two Register SMI Source Interface
- ACPI Embedded Controller Interface
  - Four Instances
  - 1 or 4 Byte Data transfer capable
- ACPI Power Management Interface
  - SCI Event-Generating Functions
- Battery Backed Resources
  - Power-Fail Status Register
  - 32 KHz Clock Generator
  - Week Alarm Timer Interface with Programmable Wake-up from 1ms to 45 Days
  - VBAT-Powered Control Interface
  - VBAT-Backed 64 Byte Memory
- Three EC-based SMBus 2.0 Host Controllers
  - Allows Master or Dual Slave Operation
  - Controllers are Fully Operational on Standby Power
  - DMA-driven I<sup>2</sup>C Network Layer Hardware
  - I<sup>2</sup>C Datalink Compatibility Mode
  - Multi-Master Capable
  - Supports Clock Stretching
  - Programmable Bus Speeds
  - 400 KHz Capable
  - Hardware Bus Access "Fairness" Interface
  - SMBus Time-outs Interface
  - 8 x 3 x 3 Port Multiplexing
- PECl Interface 2.0
- 18 x 8 Interrupt Capable Multiplexed Keyboard Scan Matrix
- Three independent Hardware Driven PS/2 Ports
  - Fully functional on Main and/or Suspend Power
  - PS/2 Edge Wake Capable
- 115 General Purpose I/O Pins
  - 8 GPIO Pass-Through Port (GPTP)

# MEC1609/MEC1609i

---

- 3-pin LED Interface
  - Programmable Blink Rates
  - Breathing LED Output
  - Operational in EC Sleep State
- Programmable 16-bit Counter/Timer Interface
  - Four Wake-capable 16-bit Auto-reloading Counter/Timer Instances
  - Four Operating Modes per Instance: Timer, One-shot, Event and Measurement.
  - 4 External Inputs, 4 External Outputs
- Hibernation Timer Interface
  - Two 32.768 KHz Driven Timers
  - Programmable Wake-up from 0.5ms to 128 Minutes
- System Watch Dog Timer (WDT)
- Input Capture and Compare Timer
  - 32-bit Free-running timer
  - Six 32-bit Capture Registers
  - Two 32-bit Compare Registers
  - Capture, Compare and Overflow Interrupts
- Microchip's Multipoint VLPC™ Serial Interconnect Bus Master
  - Forwards LPC transactions to VLPC peripherals
  - Forwards ARC transactions to VLPC peripherals
- BC-Link™ Interconnection Bus
  - Three High Speed and one Low Speed Bus Masters Controllers
- Two General Purpose Serial Peripheral Interface Controllers (ECGP-SPI)
  - One 3-pin EC-driven Full Duplex Serial Communication Interface
  - One 4-pin EC/Host-driven Full Duplex Serial Communication Interface to SPI Flash Interface
  - Flexible Clock Rates
  - SPI Burst Capable
- SPI Flash Read Controller
  - 4 MB AHB Memory-Mapped address space
  - Supports 2 KB EC Instruction Cache
- FAN Support
  - 8 Programmable Pulse-Width Modulator Outputs
    - Multiple Clock Rates
    - 16-Bit 'On' & 16-Bit 'Off' Counters
  - Four Fan Tachometer Inputs
  - 6 x 2 Capture/Compare Timer Interface
- ADC Interface
  - 10-bit Conversion in 10μs
  - 16 Channels
  - Integral Non-Linearity of ±0.5 LSB; Differential Non-Linearity of ±0.5 LSB
- Two Pin Debug Port with Standard 16C550A Register Interface
  - Accessible from Host and EC
  - Programmable Input/output Pin Polarity Inversion
  - Programmable Main Power or Standby Power Functionality
  - Standard Baud Rates to 115.2 Kbps, Custom Baud Rates to 2 Mbps
- Resistor/Capacitor Identification Detection (RC\_ID)
  - Single Pin Interface to External Inexpensive RC Circuit
  - Replacement for Multiple GPIO's
  - Provides 8 Quantized States on One Pin
- Integrated Standby Power Reset Generator
- Clock Generator
  - 32.768 KHz-input Clock
  - operational on Suspend Power
  - Programmable Clock Power Management Control & Distribution
  - 64.52 MHz ±2% Accuracy
- Packages
  - 144 Pin LFBGA RoHS Compliant package
  - 144 Pin TFBGA RoHS Compliant package
- Operating Temperature
  - The MEC1609 supports the commercial temperature range of 0° C to +70° C
  - The MEC1609i supports the industrial temperature range of -40° C to +85° C

## Description

The MEC1609/MEC1609i is the mixed signal base component of a multi-device advanced I/O controller architecture. The MEC1609/MEC1609i incorporates a high-performance 32-bit ARC 625 embedded microcontroller with a 192 Kilobyte embedded Flash subsystem, 16 Kilobytes of SRAM and 2 Kilobytes of instruction cache with an AHB memory-mapped SPI Flash Read Controller. The MEC1609 communicates with the system host using the Intel® Low Pin Count bus.

There are two distinct protocols that provide communication between the MEC1609/MEC1609i base component and companion components: BC-Link™ and VLPC™. BC-Link™ in the MEC1609/MEC1609i can access up to four companion components. The BC-Link™ protocol is peer-to-peer providing communication between the MEC1609/MEC1609i embedded controller and registers located in a companion. VLPC™ is a multi-drop protocol that matches the MEC1609/MEC1609i with up to three untrusted companion components and one trusted companion component. The MEC1609/MEC1609i accepts LPC Host (ICH/PCH) transactions targeting blocks internal to the MEC1609/MEC1609i and blocks physically located in VLPC™ companions. The ARC 625 embedded microcontroller can also access blocks that are physically located in VLPC™ companion components.

The MEC1609/MEC1609i is directly powered by two separate suspend supply planes (VBAT and VTR) and senses a third runtime power plane (VCC) to provide “instant on” and system power management functions. The MEC1609/MEC1609i also contains an integrated VTR Reset Interface and a system Power Management Interface that supports low-power states and can drive state changes as a result of hardware wake events as defined by the MEC1609/MEC1609i Wake Interface.

The MEC1609/MEC1609i defines a software development system interface that includes an MCU Serial Debug Port, a two pin serial debug port with a 16C550A register interface that is accessible to the EC or to the LPC host and can operate up to 2 MB/s, a flexible Flash programming interface and a JTAG interface. The EC can also drive the JTAG interface as a master.

A top-level block diagram of the MEC1609/MEC1609i is shown in [FIGURE 1: MEC1609/MEC1609i Top-Level Block Diagram on page 5](#). An example of system level connection is shown in [FIGURE 2: Example of MEC1609/MEC1609i's Connections to System Components on page 6](#).

## TO OUR VALUED CUSTOMERS

It is our intention to provide our valued customers with the best documentation possible to ensure successful use of your Microchip products. To this end, we will continue to improve our publications to better suit your needs. Our publications will be refined and enhanced as new volumes and updates are introduced.

If you have any questions or comments regarding this publication, please contact the Marketing Communications Department via E-mail at [docerrors@microchip.com](mailto:docerrors@microchip.com). We welcome your feedback.

### Most Current Data Sheet

To obtain the most up-to-date version of this data sheet, please register at our Worldwide Web site at:

<http://www.microchip.com>

You can determine the version of a data sheet by examining its literature number found on the bottom outside corner of any page. The last character of the literature number is the version number, (e.g., DS30000000A is version A of document DS30000000).

### Errata

An errata sheet, describing minor operational differences from the data sheet and recommended workarounds, may exist for current devices. As device/documentation issues become known to us, we will publish an errata sheet. The errata will specify the revision of silicon and revision of document to which it applies.

To determine if an errata sheet exists for a particular device, please check with one of the following:

- Microchip's Worldwide Web site; <http://www.microchip.com>
- Your local Microchip sales office (see last page)

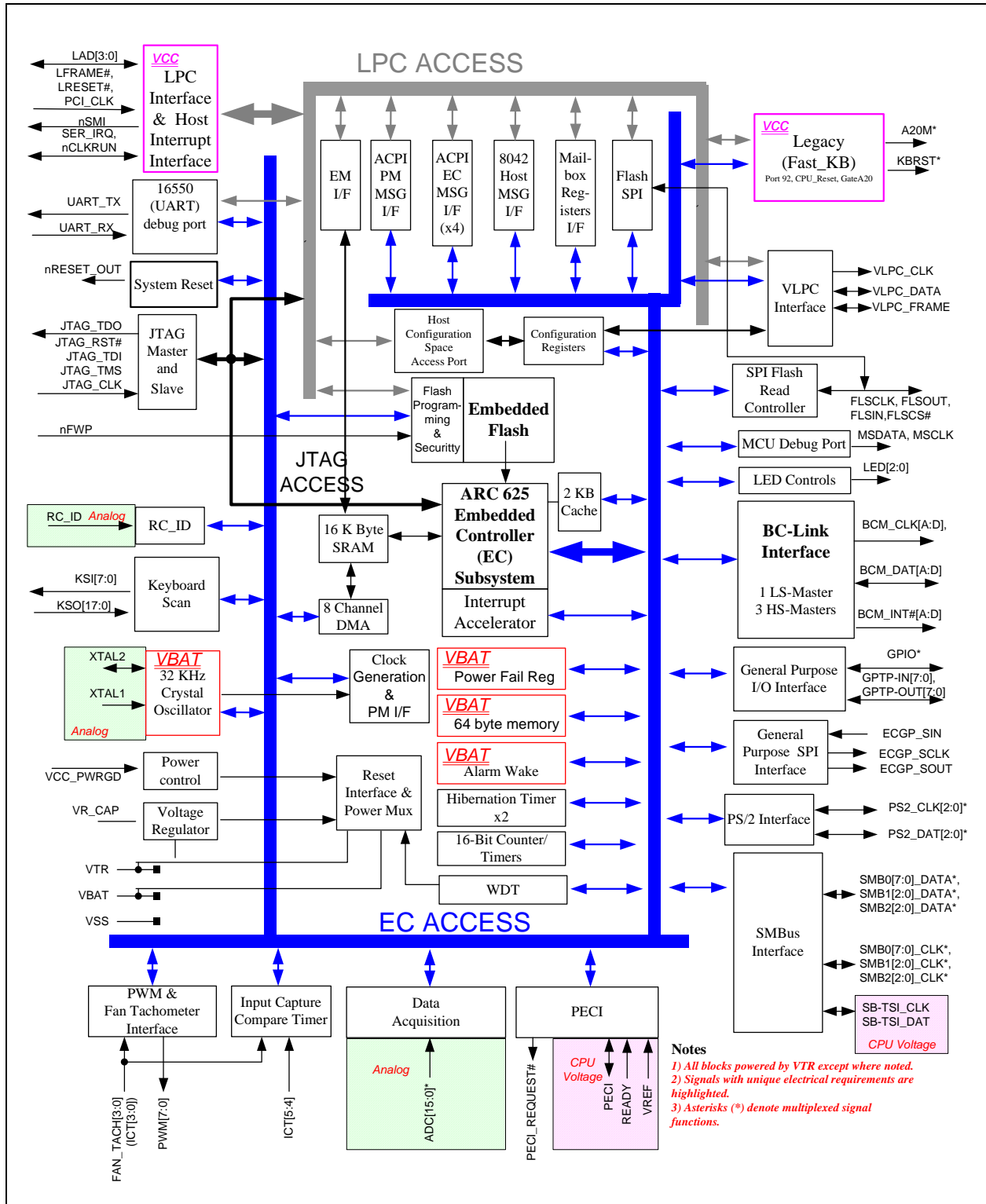
When contacting a sales office, please specify which device, revision of silicon and data sheet (include -literature number) you are using.

### Customer Notification System

Register on our web site at [www.microchip.com](http://www.microchip.com) to receive the most current information on all of our products.

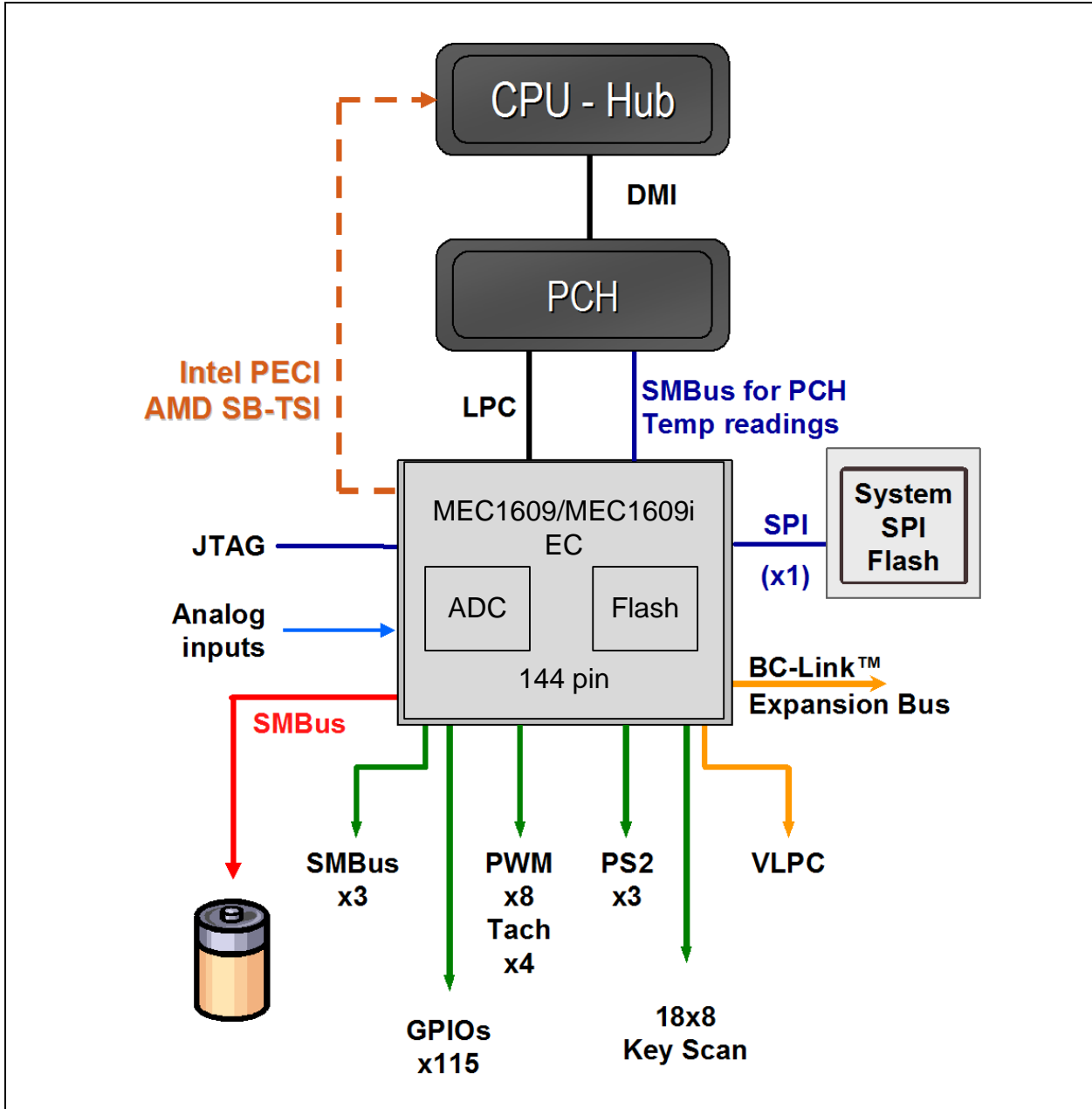
## BLOCK DIAGRAM

FIGURE 1: MEC1609/MEC1609i TOP-LEVEL BLOCK DIAGRAM



# MEC1609/MEC1609i

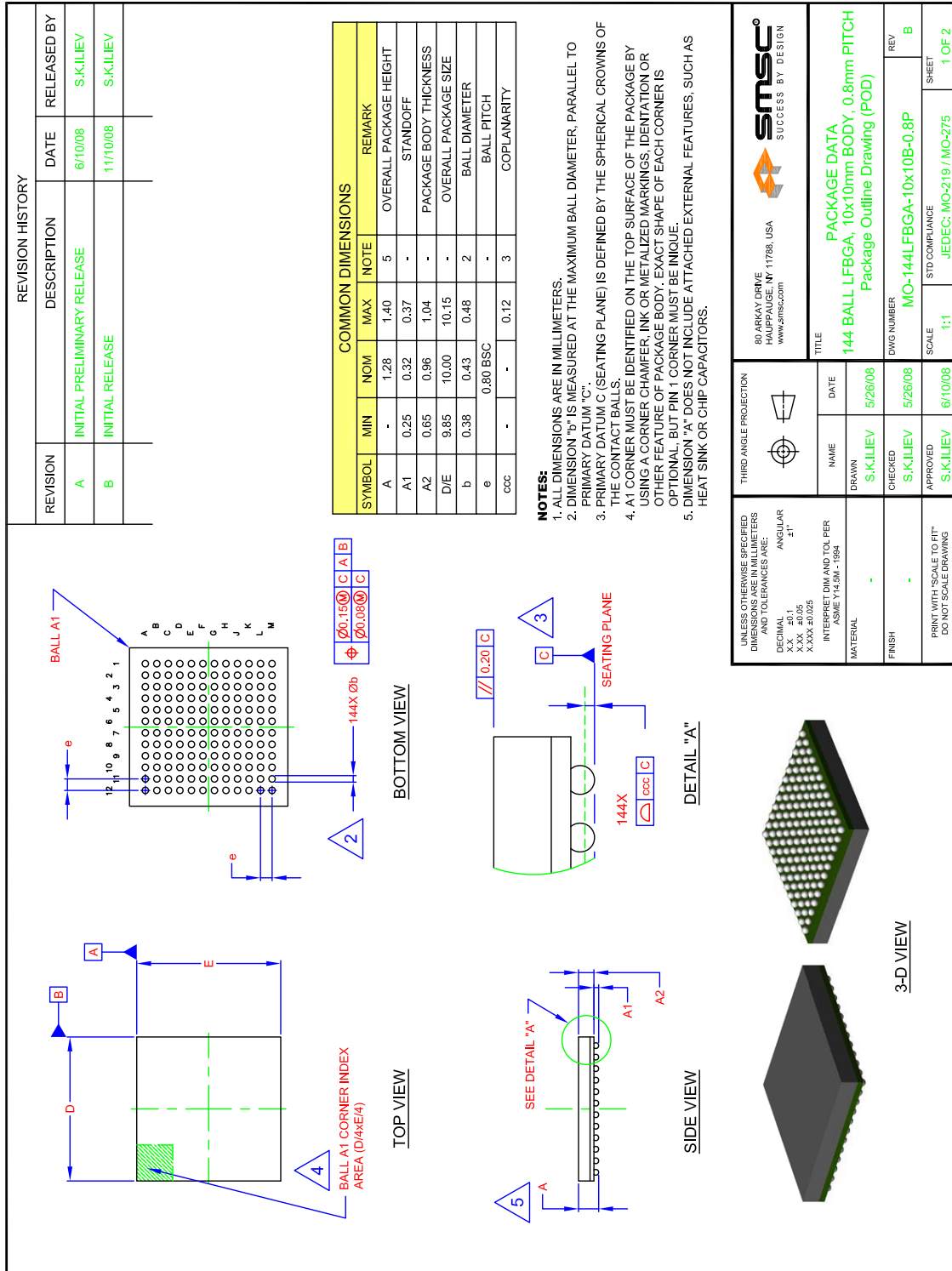
FIGURE 2: EXAMPLE OF MEC1609/MEC1609i'S CONNECTIONS TO SYSTEM COMPONENTS



## PACKAGE OUTLINES

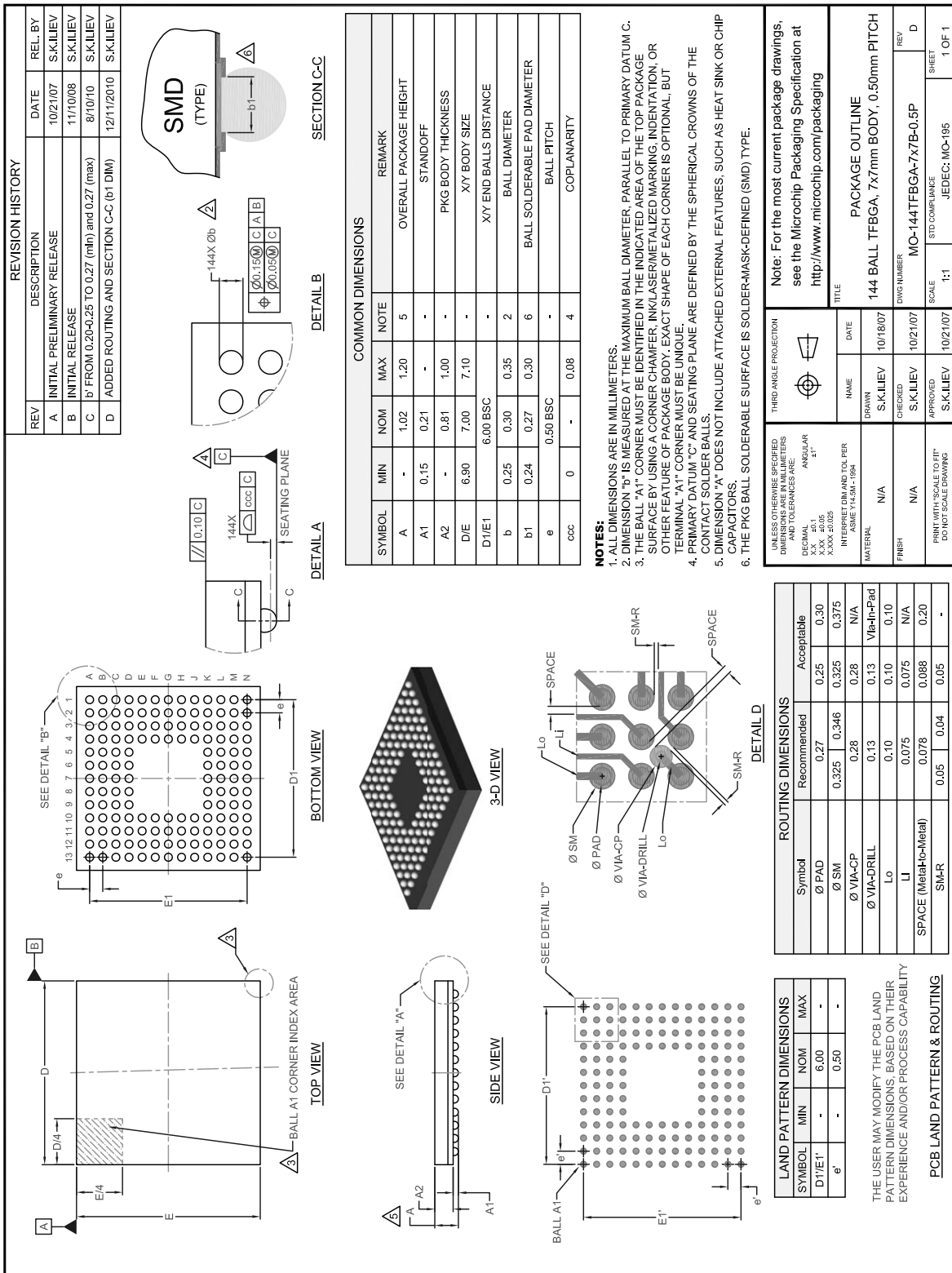
**Note:** For the most current package drawings, see the Microchip Packaging Specification at <http://www.microchip.com/packaging>.

**FIGURE 3: 144-PIN LFBGA 10X10X0.8 MM PACKAGE OUTLINE (1.4 MM HEIGHT)**



# MEC1609/MEC1609i

FIGURE 4: 144-PIN TFBGA 7X7X0.5 MM PACKAGE OUTLINE (1.2 MM HEIGHT)



## APPENDIX A: PRODUCT BRIEF REVISION HISTORY

TABLE A-1: REVISION HISTORY

Revision	Section/Figure/Entry	Correction
DS00001769A (06-03-14)	Document Release	

# MEC1609/MEC1609i

---

## THE MICROCHIP WEB SITE

Microchip provides online support via our WWW site at [www.microchip.com](http://www.microchip.com). This web site is used as a means to make files and information easily available to customers. Accessible by using your favorite Internet browser, the web site contains the following information:

- **Product Support** – Data sheets and errata, application notes and sample programs, design resources, user's guides and hardware support documents, latest software releases and archived software
- **General Technical Support** – Frequently Asked Questions (FAQ), technical support requests, online discussion groups, Microchip consultant program member listing
- **Business of Microchip** – Product selector and ordering guides, latest Microchip press releases, listing of seminars and events, listings of Microchip sales offices, distributors and factory representatives

## CUSTOMER CHANGE NOTIFICATION SERVICE

Microchip's customer notification service helps keep customers current on Microchip products. Subscribers will receive e-mail notification whenever there are changes, updates, revisions or errata related to a specified product family or development tool of interest.

To register, access the Microchip web site at [www.microchip.com](http://www.microchip.com). Under "Support", click on "Customer Change Notification" and follow the registration instructions.

## CUSTOMER SUPPORT

Users of Microchip products can receive assistance through several channels:

- Distributor or Representative
- Local Sales Office
- Field Application Engineer (FAE)
- Technical Support

Customers should contact their distributor, representative or field application engineer (FAE) for support. Local sales offices are also available to help customers. A listing of sales offices and locations is included in the back of this document.

**Technical support is available through the web site at: <http://www.microchip.com/support>**

## PRODUCT IDENTIFICATION SYSTEM

To order or obtain information, e.g., on pricing or delivery, refer to the factory or the listed sales office.

<u>PART NO.</u>	<u>[X]</u>	-	<u>XXX</u>	-	<u>[X]<sup>(1)</sup></u>																																										
Device	Temperature Range		Package		Tape and Reel Option																																										
<table border="1" style="width: 100%; border-collapse: collapse;"> <tr> <td style="width: 20%;"><b>Device:</b></td> <td colspan="5">MEC1609, MEC1609i</td> </tr> <tr> <td><b>Temperature Range:</b></td> <td>Blank</td> <td>=</td> <td>0°C to +70°C</td> <td>(Extended Commercial)</td> <td></td> </tr> <tr> <td></td> <td>i</td> <td>=</td> <td>-40°C to +85°C</td> <td>(Industrial)</td> <td></td> </tr> <tr> <td><b>Package:</b></td> <td>PZV</td> <td>=</td> <td>144-pin TFBGA</td> <td></td> <td></td> </tr> <tr> <td></td> <td>PZP</td> <td>=</td> <td>144-pin LFBGA</td> <td></td> <td></td> </tr> <tr> <td><b>Tape and Reel Option:</b></td> <td>Blank</td> <td>=</td> <td>Standard packaging (tray)</td> <td></td> <td></td> </tr> <tr> <td></td> <td>TR</td> <td>=</td> <td>Tape and Reel<sup>(1)</sup></td> <td></td> <td></td> </tr> </table>						<b>Device:</b>	MEC1609, MEC1609i					<b>Temperature Range:</b>	Blank	=	0°C to +70°C	(Extended Commercial)			i	=	-40°C to +85°C	(Industrial)		<b>Package:</b>	PZV	=	144-pin TFBGA				PZP	=	144-pin LFBGA			<b>Tape and Reel Option:</b>	Blank	=	Standard packaging (tray)				TR	=	Tape and Reel <sup>(1)</sup>		
<b>Device:</b>	MEC1609, MEC1609i																																														
<b>Temperature Range:</b>	Blank	=	0°C to +70°C	(Extended Commercial)																																											
	i	=	-40°C to +85°C	(Industrial)																																											
<b>Package:</b>	PZV	=	144-pin TFBGA																																												
	PZP	=	144-pin LFBGA																																												
<b>Tape and Reel Option:</b>	Blank	=	Standard packaging (tray)																																												
	TR	=	Tape and Reel <sup>(1)</sup>																																												
<p><b>Examples:</b></p> <ul style="list-style-type: none"> <li>a) MEC1609-PZV 144-pin TFBGA (7mm x 7mm, 0.5 pitch) RoHS Compliant package</li> <li>b) MEC1609-PZP 144-pin TFBGA (10mm x 10mm, 0.8 pitch) RoHS Compliant package</li> <li>c) MEC1609i-PZV Industrial temperature, 144-pin TFBGA (7mm x 7mm, 0.5 pitch) RoHS Compliant package</li> <li>d) MEC1609i-PZP Industrial temperature, 144-pin TFBGA (10mm x 10mm, 0.8 pitch) RoHS Compliant package</li> </ul> <p><b>Note 1:</b> Tape and Reel identifier only appears in the catalog part number description. This identifier is used for ordering purposes and is not printed on the device package. Check with your Microchip Sales Office for package availability with the Tape and Reel option. Reel size is 4,000.</p>																																															

---

**Note the following details of the code protection feature on Microchip devices:**

- Microchip products meet the specification contained in their particular Microchip Data Sheet.
- Microchip believes that its family of products is one of the most secure families of its kind on the market today, when used in the intended manner and under normal conditions.
- There are dishonest and possibly illegal methods used to breach the code protection feature. All of these methods, to our knowledge, require using the Microchip products in a manner outside the operating specifications contained in Microchip's Data Sheets. Most likely, the person doing so is engaged in theft of intellectual property.
- Microchip is willing to work with the customer who is concerned about the integrity of their code.
- Neither Microchip nor any other semiconductor manufacturer can guarantee the security of their code. Code protection does not mean that we are guaranteeing the product as "unbreakable."

Code protection is constantly evolving. We at Microchip are committed to continuously improving the code protection features of our products. Attempts to break Microchip's code protection feature may be a violation of the Digital Millennium Copyright Act. If such acts allow unauthorized access to your software or other copyrighted work, you may have a right to sue for relief under that Act.

---

Information contained in this publication regarding device applications and the like is provided only for your convenience and may be superseded by updates. It is your responsibility to ensure that your application meets with your specifications. MICROCHIP MAKES NO REPRESENTATIONS OR WARRANTIES OF ANY KIND WHETHER EXPRESS OR IMPLIED, WRITTEN OR ORAL, STATUTORY OR OTHERWISE, RELATED TO THE INFORMATION, INCLUDING BUT NOT LIMITED TO ITS CONDITION, QUALITY, PERFORMANCE, MERCHANTABILITY OR FITNESS FOR PURPOSE. Microchip disclaims all liability arising from this information and its use. Use of Microchip devices in life support and/or safety applications is entirely at the buyer's risk, and the buyer agrees to defend, indemnify and hold harmless Microchip from any and all damages, claims, suits, or expenses resulting from such use. No licenses are conveyed, implicitly or otherwise, under any Microchip intellectual property rights.

**Trademarks**

The Microchip name and logo, the Microchip logo, dsPIC, FlashFlex, KEELOQ, KEELOQ logo, MPLAB, PIC, PICmicro, PICSTART, PIC<sup>32</sup> logo, rPIC, SST, SST Logo, SuperFlash and UNI/O are registered trademarks of Microchip Technology Incorporated in the U.S.A. and other countries.

FilterLab, Hampshire, HI-TECH C, Linear Active Thermistor, MTP, SEEVAL and The Embedded Control Solutions Company are registered trademarks of Microchip Technology Incorporated in the U.S.A.

Silicon Storage Technology is a registered trademark of Microchip Technology Inc. in other countries.

Analog-for-the-Digital Age, Application Maestro, BodyCom, chipKIT, chipKIT logo, CodeGuard, dsPICDEM, dsPICDEM.net, dsPICworks, dsSPEAK, ECAN, ECONOMONITOR, FanSense, HI-TIDE, In-Circuit Serial Programming, ICSP, Mindi, MiWi, MPASM, MPF, MPLAB Certified logo, MPLIB, MPLINK, mTouch, Omniscent Code Generation, PICC, PICC-18, PICDEM, PICDEM.net, PICKit, PICtail, REAL ICE, rLAB, Select Mode, SQL, Serial Quad I/O, Total Endurance, TSHARC, UniWinDriver, WiperLock, ZENA and Z-Scale are trademarks of Microchip Technology Incorporated in the U.S.A. and other countries.

SQTP is a service mark of Microchip Technology Incorporated in the U.S.A.

GestIC and ULPP are registered trademarks of Microchip Technology Germany II GmbH & Co. KG, a subsidiary of Microchip Technology Inc., in other countries.

flexPWR, JukeBlox, Kleer, KleerNet, MediaLB, and MOST

The preceding is a non-exhaustive list of trademarks in use in the US and other countries. For a complete list of trademarks, email a request to [legal.department@microchip.com](mailto:legal.department@microchip.com). The absence of a trademark (name, logo, etc.) from the list does not constitute a waiver of any intellectual property rights that SMSC has established in any of its trademarks.

All other trademarks mentioned herein are property of their respective companies.

© 2014, Microchip Technology Incorporated, Printed in the U.S.A., All Rights Reserved.

ISBN: 9781632762627

**QUALITY MANAGEMENT SYSTEM  
CERTIFIED BY DNV  
= ISO/TS 16949 =**

*Microchip received ISO/TS-16949:2009 certification for its worldwide headquarters, design and wafer fabrication facilities in Chandler and Tempe, Arizona; Gresham, Oregon and design centers in California and India. The Company's quality system processes and procedures are for its PIC® MCUs and dsPIC® DSCs, KEELOQ® code hopping devices, Serial EEPROMs, microperipherals, nonvolatile memory and analog products. In addition, Microchip's quality system for the design and manufacture of development systems is ISO 9001:2000 certified.*



# MICROCHIP

## Worldwide Sales and Service

### AMERICAS

**Corporate Office**  
2355 West Chandler Blvd.  
Chandler, AZ 85224-6199  
Tel: 480-792-7200  
Fax: 480-792-7277  
Technical Support:  
<http://www.microchip.com/support>  
Web Address:  
[www.microchip.com](http://www.microchip.com)

**Atlanta**  
Duluth, GA  
Tel: 678-957-9614  
Fax: 678-957-1455

**Austin, TX**  
Tel: 512-257-3370

**Boston**  
Westborough, MA  
Tel: 774-760-0087  
Fax: 774-760-0088

**Chicago**  
Itasca, IL  
Tel: 630-285-0071  
Fax: 630-285-0075

**Cleveland**  
Independence, OH  
Tel: 216-447-0464  
Fax: 216-447-0643

**Dallas**  
Addison, TX  
Tel: 972-818-7423  
Fax: 972-818-2924

**Detroit**  
Novi, MI  
Tel: 248-848-4000

**Houston, TX**  
Tel: 281-894-5983

**Indianapolis**  
Noblesville, IN  
Tel: 317-773-8323  
Fax: 317-773-5453

**Los Angeles**  
Mission Viejo, CA  
Tel: 949-462-9523  
Fax: 949-462-9608

**New York, NY**  
Tel: 631-435-6000

**San Jose, CA**  
Tel: 408-735-9110

**Canada - Toronto**  
Tel: 905-673-0699  
Fax: 905-673-6509

### ASIA/PACIFIC

**Asia Pacific Office**  
Suites 3707-14, 37th Floor  
Tower 6, The Gateway  
Harbour City, Kowloon  
Hong Kong  
Tel: 852-2943-5100  
Fax: 852-2401-3431

**Australia - Sydney**  
Tel: 61-2-9868-6733  
Fax: 61-2-9868-6755

**China - Beijing**  
Tel: 86-10-8569-7000  
Fax: 86-10-8528-2104

**China - Chengdu**  
Tel: 86-28-8665-5511  
Fax: 86-28-8665-7889

**China - Chongqing**  
Tel: 86-23-8980-9588  
Fax: 86-23-8980-9500

**China - Hangzhou**  
Tel: 86-571-8792-8115  
Fax: 86-571-8792-8116

**China - Hong Kong SAR**  
Tel: 852-2943-5100  
Fax: 852-2401-3431

**China - Nanjing**  
Tel: 86-25-8473-2460  
Fax: 86-25-8473-2470

**China - Qingdao**  
Tel: 86-532-8502-7355  
Fax: 86-532-8502-7205

**China - Shanghai**  
Tel: 86-21-5407-5533  
Fax: 86-21-5407-5066

**China - Shenyang**  
Tel: 86-24-2334-2829  
Fax: 86-24-2334-2393

**China - Shenzhen**  
Tel: 86-755-8864-2200  
Fax: 86-755-8203-1760

**China - Wuhan**  
Tel: 86-27-5980-5300  
Fax: 86-27-5980-5118

**China - Xian**  
Tel: 86-29-8833-7252  
Fax: 86-29-8833-7256

**China - Xiamen**  
Tel: 86-592-2388138  
Fax: 86-592-2388130

**China - Zhuhai**  
Tel: 86-756-3210040  
Fax: 86-756-3210049

### ASIA/PACIFIC

**India - Bangalore**  
Tel: 91-80-3090-4444  
Fax: 91-80-3090-4123

**India - New Delhi**  
Tel: 91-11-4160-8631  
Fax: 91-11-4160-8632

**India - Pune**  
Tel: 91-20-3019-1500

**Japan - Osaka**  
Tel: 81-6-6152-7160  
Fax: 81-6-6152-9310

**Japan - Tokyo**  
Tel: 81-3-6880-3770  
Fax: 81-3-6880-3771

**Korea - Daegu**  
Tel: 82-53-744-4301  
Fax: 82-53-744-4302

**Korea - Seoul**  
Tel: 82-2-554-7200  
Fax: 82-2-558-5932 or  
82-2-558-5934

**Malaysia - Kuala Lumpur**  
Tel: 60-3-6201-9857  
Fax: 60-3-6201-9859

**Malaysia - Penang**  
Tel: 60-4-227-8870  
Fax: 60-4-227-4068

**Philippines - Manila**  
Tel: 63-2-634-9065  
Fax: 63-2-634-9069

**Singapore**  
Tel: 65-6334-8870  
Fax: 65-6334-8850

**Taiwan - Hsin Chu**  
Tel: 886-3-5778-366  
Fax: 886-3-5770-955

**Taiwan - Kaohsiung**  
Tel: 886-7-213-7830

**Taiwan - Taipei**  
Tel: 886-2-2508-8600  
Fax: 886-2-2508-0102

**Thailand - Bangkok**  
Tel: 66-2-694-1351  
Fax: 66-2-694-1350

### EUROPE

**Austria - Wels**  
Tel: 43-7242-2244-39  
Fax: 43-7242-2244-393

**Denmark - Copenhagen**  
Tel: 45-4450-2828  
Fax: 45-4485-2829

**France - Paris**  
Tel: 33-1-69-53-63-20  
Fax: 33-1-69-30-90-79

**Germany - Dusseldorf**  
Tel: 49-2129-3766400

**Germany - Munich**  
Tel: 49-89-627-144-0  
Fax: 49-89-627-144-44

**Germany - Pforzheim**  
Tel: 49-7231-424750

**Italy - Milan**  
Tel: 39-0331-742611  
Fax: 39-0331-466781

**Italy - Venice**  
Tel: 39-049-7625286

**Netherlands - Drunen**  
Tel: 31-416-690399  
Fax: 31-416-690340

**Poland - Warsaw**  
Tel: 48-22-3325737

**Spain - Madrid**  
Tel: 34-91-708-08-90  
Fax: 34-91-708-08-91

**Sweden - Stockholm**  
Tel: 46-8-5090-4654

**UK - Wokingham**  
Tel: 44-118-921-5800  
Fax: 44-118-921-5820

03/25/14

## Looking for pricing, stock, or lifecycle information?

Click below to explore more details on WIN SOURCE:

- ⊖ [View MEC1609I-PZP on WIN SOURCE](#)
- ⊖ [Microchip Technology Information](#)

## Optimize Your Supply Chain with WIN SOURCE Solutions

- ✓ Global Sourcing Solution
- ✓ Obsolete Management
- ✓ Cost Control Management
- ✓ Shortage Management
- ✓ Alternative Solution
- ✓ Excess Inventory Management