



**THE DATASHEET OF
MD71C2755NR1**



RF LDMOS Wideband Integrated Power Amplifiers

The MD71C2755N wideband integrated circuit is designed with on-chip matching that makes it usable from 2500–2700 MHz. This multi-stage structure is rated for 26 to 32 Volt operation and covers all typical cellular base station modulations.

- Typical Doherty WiMAX Performance: $V_{DD} = 28$ Volts, $I_{DQ1A} = I_{DQ1B} = 80$ mA, $I_{DQ2B} = 275$ mA, $V_{GS2A} = 1.7$ Vdc, $P_{out} = 10$ Watts Avg., $f = 2700$ MHz, OFDM 802.16d, 64 QAM $3/4$, 4 Bursts, 10 MHz Channel Bandwidth, Input Signal PAR = 9.5 dB @ 0.01% Probability on CCDF.
 Power Gain — 25 dB
 Power Added Efficiency — 25%
 Device Output Signal PAR — 8.5 dB @ 0.01% Probability on CCDF
 ACPR @ 8.5 MHz Offset — -37 dBc in 1 MHz Channel Bandwidth
- Capable of Handling 10:1 VSWR, @ 32 Vdc, 2600 MHz, 90 Watts CW Output Power (3 dB Input Overdrive from Rated P_{out})
- Stable into a 10:1 VSWR. All Spurs Below -60 dBc @ 100 mW to 10 Watts CW P_{out}
- Typical P_{out} @ 1 dB Compression Point ≈ 30 Watts CW

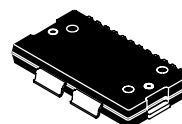
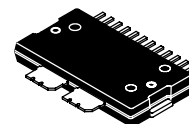
Features

- Production Tested in a Symmetrical Doherty Configuration
- 100% PAR Tested for Guaranteed Output Power Capability
- Characterized with Series Equivalent Large-Signal Impedance Parameters and Common Source S-Parameters
- On-Chip Matching (50 Ohm Input, DC Blocked)
- Integrated Quiescent Current Temperature Compensation with Enable/Disable Function (1)
- Integrated ESD Protection
- 225°C Capable Plastic Package
- RoHS Compliant
- In Tape and Reel. R1 Suffix = 500 Units per 44 mm, 13 inch Reel.

MD71C2755NR1
MD71C2755GNR1

2500-2700 MHz, 10 W AVG., 28 V
WiMAX
RF LDMOS WIDEBAND
INTEGRATED POWER AMPLIFIERS

CASE 1618-02
TO-270 WB-14
PLASTIC
MD71C2755NR1



CASE 1621-02
TO-270 WB-14 GULL
PLASTIC
MD71C2755GNR1

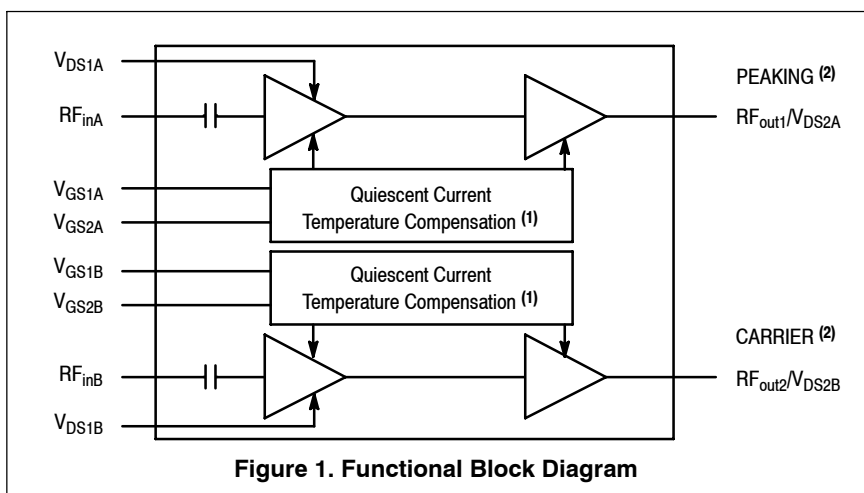


Figure 1. Functional Block Diagram

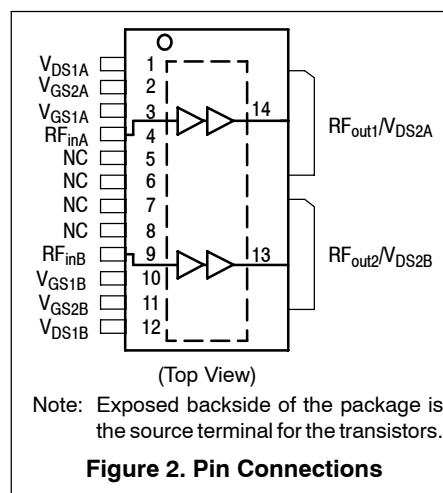


Figure 2. Pin Connections

1. Refer to AN1977, *Quiescent Current Thermal Tracking Circuit in the RF Integrated Circuit Family* and to AN1987, *Quiescent Current Control for the RF Integrated Circuit Device Family*. Go to <http://www.freescale.com/rf>. Select Documentation/Application Notes - AN1977 or AN1987.

2. Peaking and Carrier orientation is determined by the test fixture design.

Table 1. Maximum Ratings

Rating	Symbol	Value	Unit
Drain-Source Voltage	V_{DS}	-0.5, +65	Vdc
Gate-Source Voltage	V_{GS}	-0.5, +10	Vdc
Operating Voltage	V_{DD}	32, +0	Vdc
Storage Temperature Range	T_{stg}	-65 to +150	°C
Case Operating Temperature	T_C	150	°C
Operating Junction Temperature (1,2)	T_J	225	°C
Input Power	P_{in}	30	dBm

Table 2. Thermal Characteristics

Characteristic	Symbol	Value (2,3)	Unit
----------------	--------	-------------	------

Final Doherty Application

Characteristic	Symbol	Value	Unit
Thermal Resistance, Junction to Case	$R_{\theta JC}$		°C/W
Case Temperature 72°C, $P_{out} = 10$ W CW, 2600 MHz Stage 1A, 1B, 28 Vdc, $I_{DQ1A} = I_{DQ1B} = 80$ mA		2.6	
Stage 2A, 2B, 28 Vdc, $I_{DQ2B} = 275$ mA, $V_{G2A} = 1.7$ Vdc		1.8	
Case Temperature 90°C, $P_{out} = 55$ W CW, 2600 MHz Stage 1A, 1B, 28 Vdc, $I_{DQ1A} = I_{DQ1B} = 80$ mA		2.3	
Stage 2A, 2B, 28 Vdc, $I_{DQ2B} = 275$ mA, $V_{G2A} = 1.7$ Vdc		1.1	

Table 3. ESD Protection Characteristics

Test Methodology	Class
Human Body Model (per JESD22-A114)	1C (Minimum)
Machine Model (per EIA/JESD22-A115)	A (Minimum)
Charge Device Model (per JESD22-C101)	III (Minimum)

Table 4. Moisture Sensitivity Level

Test Methodology	Rating	Package Peak Temperature	Unit
Per JESD22-A113, IPC/JEDEC J-STD-020	3	260	°C

1. Continuous use at maximum temperature will affect MTTF.
2. MTTF calculator available at <http://www.freescale.com/rf>. Select Software & Tools/Development Tools/Calculators to access MTTF calculators by product.
3. Refer to AN1955, *Thermal Measurement Methodology of RF Power Amplifiers*. Go to <http://www.freescale.com/rf>. Select Documentation/Application Notes - AN1955.

Table 5. Electrical Characteristics ($T_A = 25^\circ\text{C}$ unless otherwise noted)

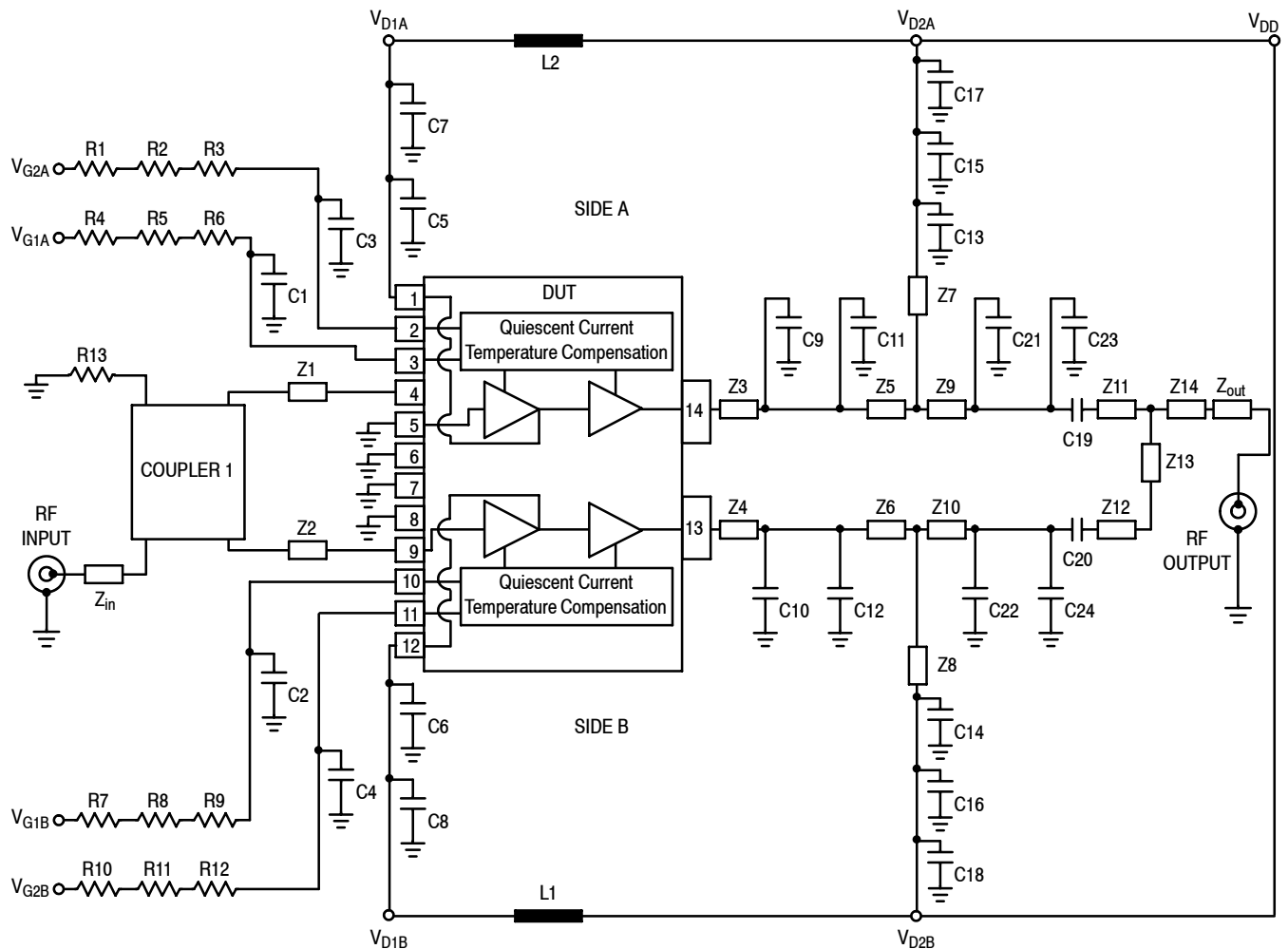
Characteristic	Symbol	Min	Typ	Max	Unit
Stage 1 — Off Characteristics (1)					
Zero Gate Voltage Drain Leakage Current ($V_{DS} = 65\text{ Vdc}$, $V_{GS} = 0\text{ Vdc}$)	I_{DSS}	—	—	10	$\mu\text{A dc}$
Zero Gate Voltage Drain Leakage Current ($V_{DS} = 28\text{ Vdc}$, $V_{GS} = 0\text{ Vdc}$)	I_{DSS}	—	—	1	$\mu\text{A dc}$
Gate-Source Leakage Current ($V_{GS} = 1.5\text{ Vdc}$, $V_{DS} = 0\text{ Vdc}$)	I_{GSS}	—	—	1	$\mu\text{A dc}$
Stage 1 — On Characteristics					
Gate Threshold Voltage (1) ($V_{DS} = 10\text{ Vdc}$, $I_D = 46\ \mu\text{A dc}$)	$V_{GS(th)}$	1.2	1.9	2.7	Vdc
Gate Quiescent Voltage (1) ($V_{DS} = 28\text{ Vdc}$, $I_{DQ1A} = I_{DQ1B} = 80\text{ mA dc}$)	$V_{GS(Q)}$	—	2.7	—	Vdc
Fixture Gate Quiescent Voltage (2) ($V_{DD} = 28\text{ Vdc}$, $I_{DQ1A} = I_{DQ1B} = 80\text{ mA dc}$, Measured in Functional Test)	$V_{GG(Q)}$	12	15	18	Vdc
Stage 2 — Off Characteristics (1)					
Zero Gate Voltage Drain Leakage Current ($V_{DS} = 65\text{ Vdc}$, $V_{GS} = 0\text{ Vdc}$)	I_{DSS}	—	—	10	$\mu\text{A dc}$
Zero Gate Voltage Drain Leakage Current ($V_{DS} = 28\text{ Vdc}$, $V_{GS} = 0\text{ Vdc}$)	I_{DSS}	—	—	1	$\mu\text{A dc}$
Gate-Source Leakage Current ($V_{GS} = 1.5\text{ Vdc}$, $V_{DS} = 0\text{ Vdc}$)	I_{GSS}	—	—	1	$\mu\text{A dc}$
Stage 2 — On Characteristics					
Gate Threshold Voltage (1) ($V_{DS} = 10\text{ Vdc}$, $I_D = 185\ \mu\text{A dc}$)	$V_{GS(th)}$	1.2	1.9	2.7	Vdc
Gate Quiescent Voltage (1) ($V_{DS} = 28\text{ Vdc}$, $I_{DQ2B} = 275\text{ mA dc}$)	$V_{GS(Q)}$	—	2.7	—	Vdc
Fixture Gate Quiescent Voltage (2) ($V_{DD} = 28\text{ Vdc}$, $I_{DQ2B} = 275\text{ mA dc}$, Measured in Functional Test)	$V_{GG(Q)}$	12	15	18	Vdc
Drain-Source On-Voltage (1) ($V_{GS} = 10\text{ Vdc}$, $I_D = 1\text{ A}$)	$V_{DS(on)}$	0.2	0.47	1.2	Vdc
Stage 2 - Dynamic Characteristics (2,3)					
Output Capacitance ($V_{DS} = 28\text{ Vdc} \pm 30\text{ mV(rms)ac}$ @ 1 MHz, $V_{in} = 0\text{ Vdc}$)	C_{OSS}	—	111	—	pF
Functional Tests (4,5) (In Freescale Doherty Test Fixture, 50 ohm system) $V_{DD} = 28\text{ Vdc}$, $I_{DQ1A} = I_{DQ1B} = 80\text{ mA}$, $I_{DQ2B} = 275\text{ mA}$, $V_{G2A} = 1.7\text{ Vdc}$, $P_{out} = 10\text{ W Avg.}$, $f = 2700\text{ MHz}$, WiMAX, OFDM 802.16d, 64 QAM $3/4$, 4 Bursts, 10 MHz Channel Bandwidth, Input Signal PAR = 9.5 dB @ 0.01% Probability on CCDF. ACPR measured in 1 MHz Channel Bandwidth @ $\pm 8.5\text{ MHz}$ Offset.					
Power Gain	G_{ps}	23	25	31	dB
Power Added Efficiency	PAE	23	25	—	%
Output Peak-to-Average Ratio @ 0.01% Probability on CCDF	PAR	8	8.5	—	dB
Adjacent Channel Power Ratio	ACPR	—	-37	-35	dBc

- Side A and Side B are tied together for this measurement.
- Each side of device measured separately.
- Part internally matched both on input and output.
- Measurement made with device in a Symmetrical Doherty configuration.
- Measurement made with device in straight lead configuration before any lead forming operation is applied.

(continued)

Table 5. Electrical Characteristics ($T_A = 25^\circ\text{C}$ unless otherwise noted) (continued)

Characteristic	Symbol	Min	Typ	Max	Unit
Typical Performances (In Freescale Doherty Test Fixture, 50 ohm system) $V_{DD} = 28\text{ Vdc}$, $I_{DQ1A} = I_{DQ1B} = 80\text{ mA}$, $I_{DQ2B} = 275\text{ mA}$, $V_{G2A} = 1.7\text{ Vdc}$, 2500–2700 MHz Bandwidth					
P_{out} @ 1 dB Compression Point, CW	P1dB	—	30	—	W
IMD Symmetry @ 12 W PEP, P_{out} where IMD Third Order Intermodulation $\cong 30\text{ dBc}$ (Delta IMD Third Order Intermodulation between Upper and Lower Sidebands $> 2\text{ dB}$)	IMD _{sym}	—	70	—	MHz
VBW Resonance Point (IMD Third Order Intermodulation Inflection Point)	VBW _{res}	—	85	—	MHz
Gain Flatness in 200 MHz Bandwidth @ $P_{out} = 10\text{ W Avg.}$	G_F	—	1.6	—	dB
Average Deviation from Linear Phase in 200 MHz Bandwidth @ $P_{out} = 30\text{ W CW}$	Φ	—	2	—	$^\circ$
Average Group Delay @ $P_{out} = 30\text{ W CW}$, $f = 2600\text{ MHz}$	Delay	—	2.7	—	ns
Part-to-Part Insertion Phase Variation @ $P_{out} = 30\text{ W CW}$, $f = 2600\text{ MHz}$, Six Sigma Window	$\Delta\Phi$	—	3.6	—	$^\circ$
Gain Variation over Temperature (-30°C to $+85^\circ\text{C}$)	ΔG	—	0.039	—	dB/ $^\circ\text{C}$
Output Power Variation over Temperature (-30°C to $+85^\circ\text{C}$)	$\Delta P1\text{dB}$	—	0.03	—	dBm/ $^\circ\text{C}$



Z1, Z2	0.0419" x 0.480" Microstrip	Z13	0.0419" x 0.7690" Microstrip
Z3, Z4	0.247" x 0.1504" Microstrip	Z14	0.0717" x 0.6750" Microstrip
Z5, Z6	0.247" x 0.1704" Microstrip	Z _{in}	0.0419" x 1.7230" Microstrip
Z7, Z8	0.030" x 0.4400" Microstrip	Z _{out}	0.0419" x 1.1400" Microstrip
Z9, Z10	0.0907" x 0.075" Microstrip	PCB	Rogers RO4350B, 0.020", $\epsilon_r = 3.5$
Z11, Z12	0.0419" x 0.4200" Microstrip		

Figure 3. MD7IC2755NR1(GNR1) Test Circuit Schematic

Table 6. MD7IC2755NR1(GNR1) Test Circuit Component Designations and Values

Part	Description	Part Number	Manufacturer
C1, C2, C3, C4, C5, C6, C13, C14, C19, C20	6.8 pF Chip Capacitors	ATC600S6R8BT250XT	ATC
C7, C8, C17, C18	10 μ F Chip Capacitors	GRM55DR61H106KA88	Murata
C15, C16	1500 pF Chip Capacitors	GRM1885C2A152JA01	Murata
C9, C10, C11, C12, C21, C22, C23, C24	0.5 pF Chip Capacitors	ATC600S0R5BT250XT	ATC
Coupler 1	2500-2700 Hybrid 3 dB Coupler	GSC356	Soshin
L1, L2	Jumper Wires		
R4, R5, R7, R8	75 Ω , 1/8 W Chip Resistors	RK73B2ATTD750G	KOA Speer
R1, R10	300 Ω , 1/8 W Chip Resistors	RK73B2ATTD301G	KOA Speer
R2, R11	2 k Ω , 1/8 W Chip Resistors	RK73B2ATTD202G	KOA Speer
R3, R6, R9, R12	12 k Ω , 1/8 W Chip Resistors	RK73B2ATTD123G	KOA Speer
R13	51 Ω , 1/8 W Chip Resistor	RK73B2ATTD510G	KOA Speer

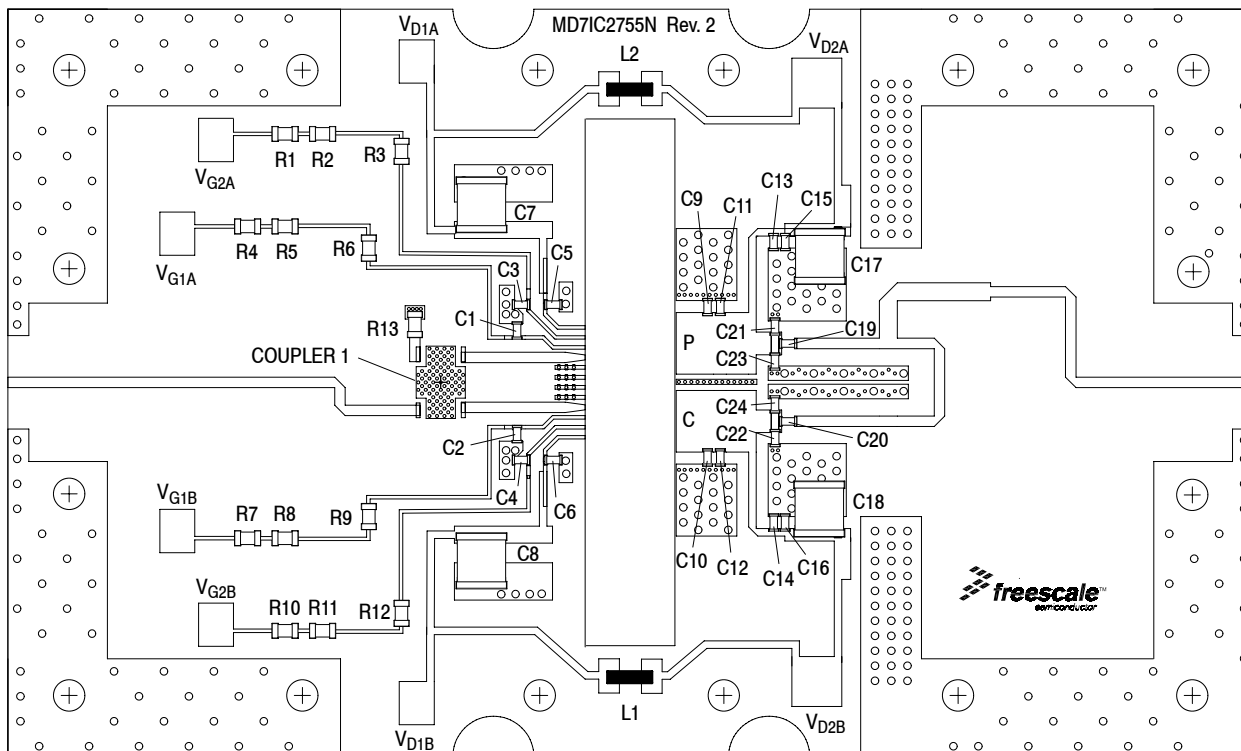


Figure 4. MD7IC2755NR1(GNR1) Test Circuit Component Layout

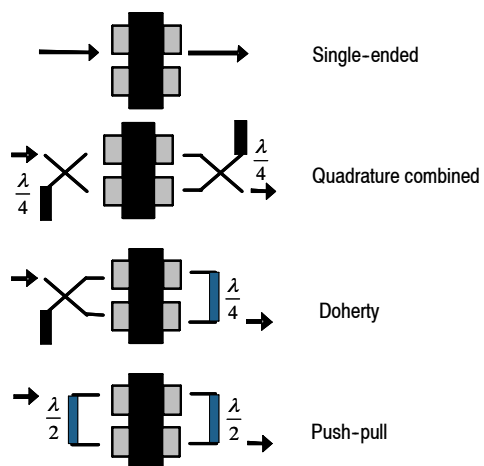


Figure 5. Possible Circuit Topologies

TYPICAL CHARACTERISTICS

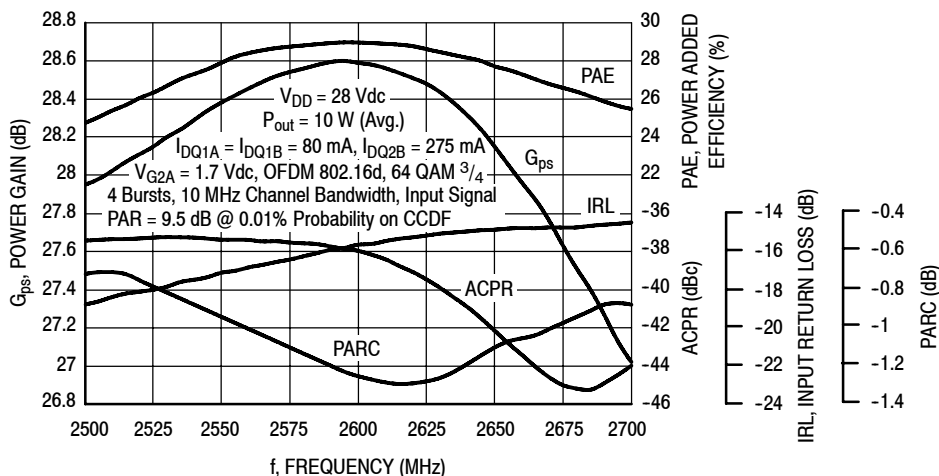


Figure 6. WiMAX Broadband Performance @ $P_{out} = 10$ Watts Avg.

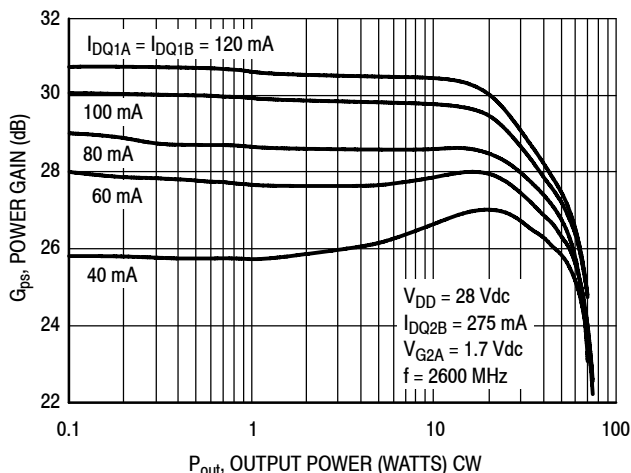


Figure 7. Power Gain versus Output Power — Stage 1, Class AB

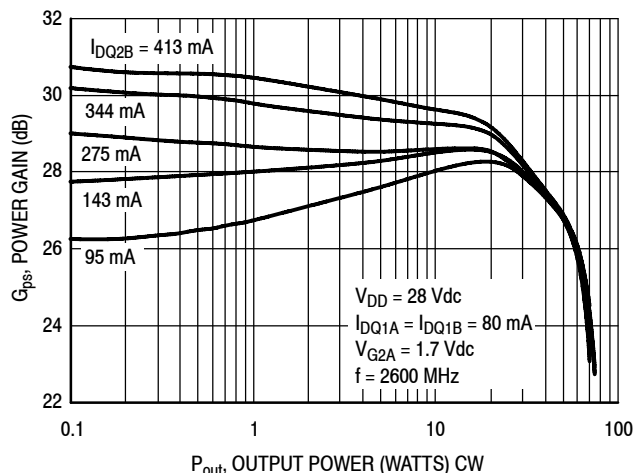


Figure 8. Power Gain versus Output Power — Stage 2, Class AB

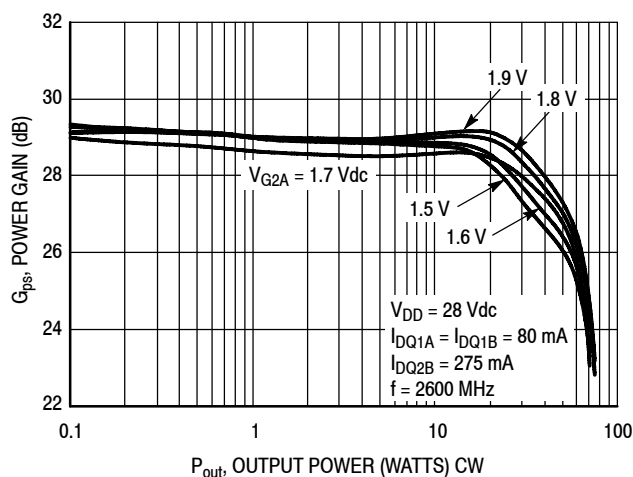


Figure 9. Power Gain versus Output Power — Stage 2, Class C

TYPICAL CHARACTERISTICS

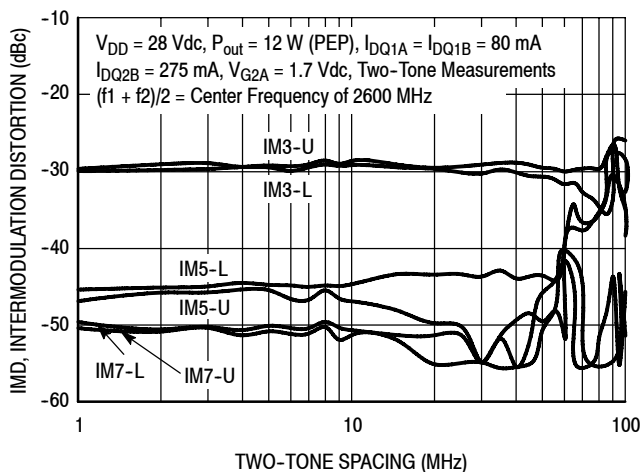


Figure 10. Intermodulation Distortion Products versus Two-Tone Spacing

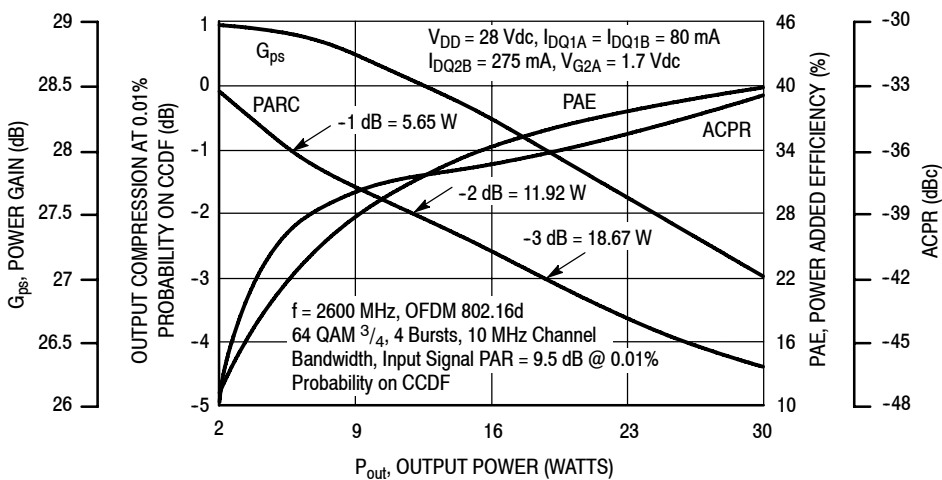


Figure 11. Output Peak-to-Average Ratio Compression (PARC) versus Output Power

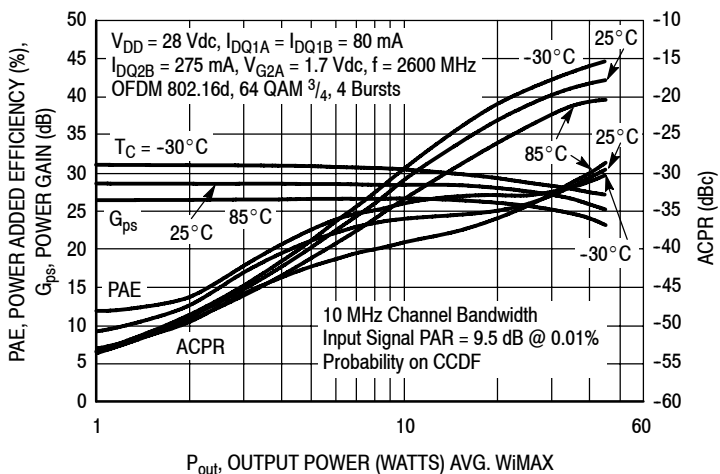


Figure 12. WiMAX, ACPR, Power Gain and Power Added Efficiency versus Output Power

TYPICAL CHARACTERISTICS

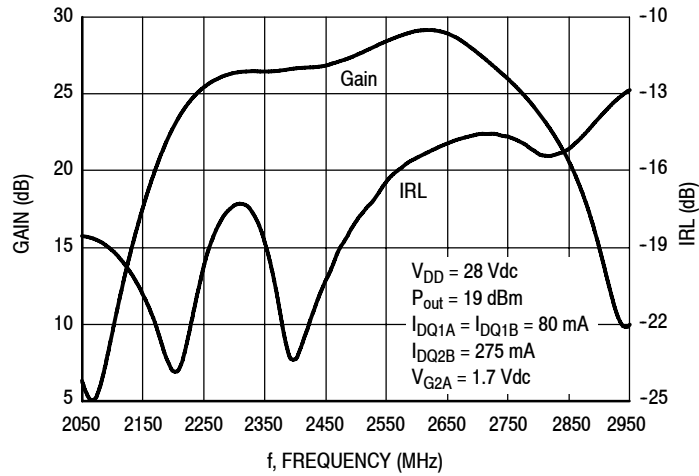
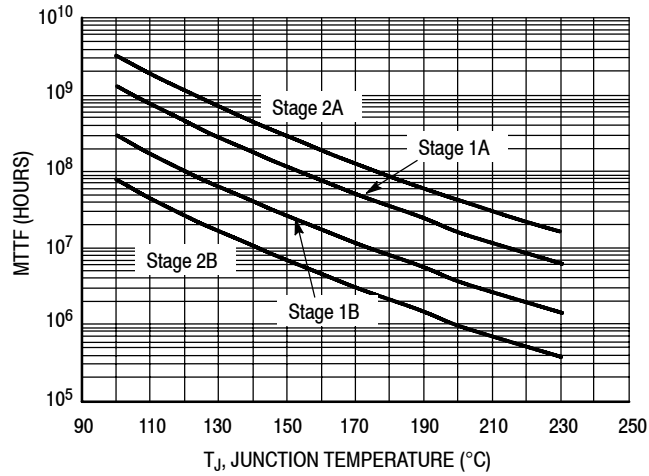


Figure 13. Broadband Frequency Response



This above graph displays calculated MTTF in hours when the device is operated at $V_{DD} = 28 \text{ Vdc}$, $P_{out} = 10 \text{ W Avg.}$, and $PAE = 25\%$.

MTTF calculator available at <http://www.freescale.com/rf>. Select Software & Tools/Development Tools/Calculators to access MTTF calculators by product.

Figure 14. MTTF versus Junction Temperature

WIMAX TEST SIGNAL

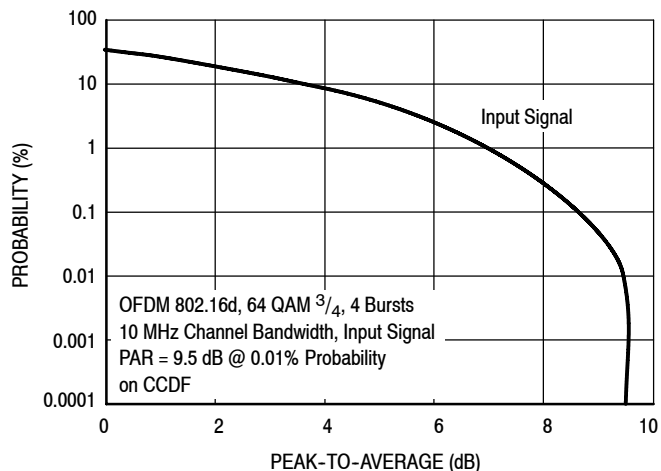


Figure 15. OFDM 802.16d Test Signal

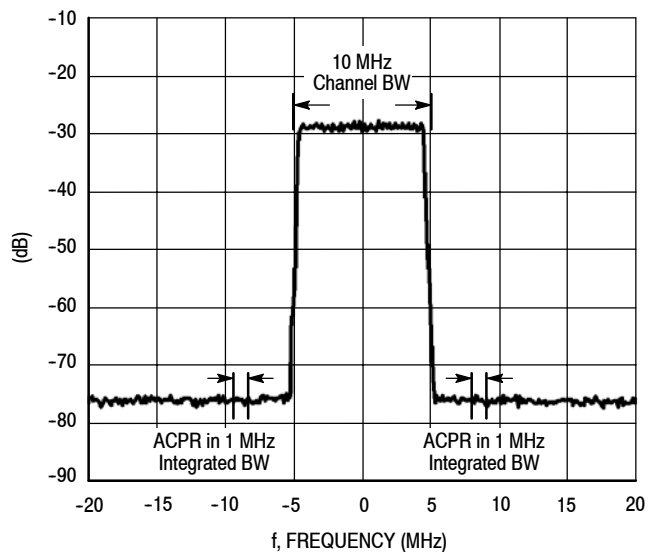
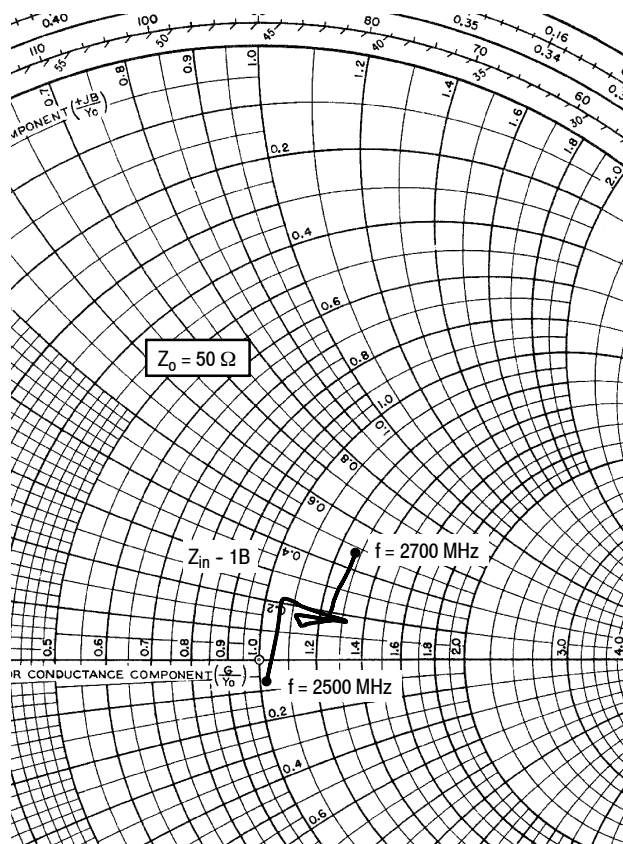


Figure 16. WiMAX Spectrum Mask Specifications



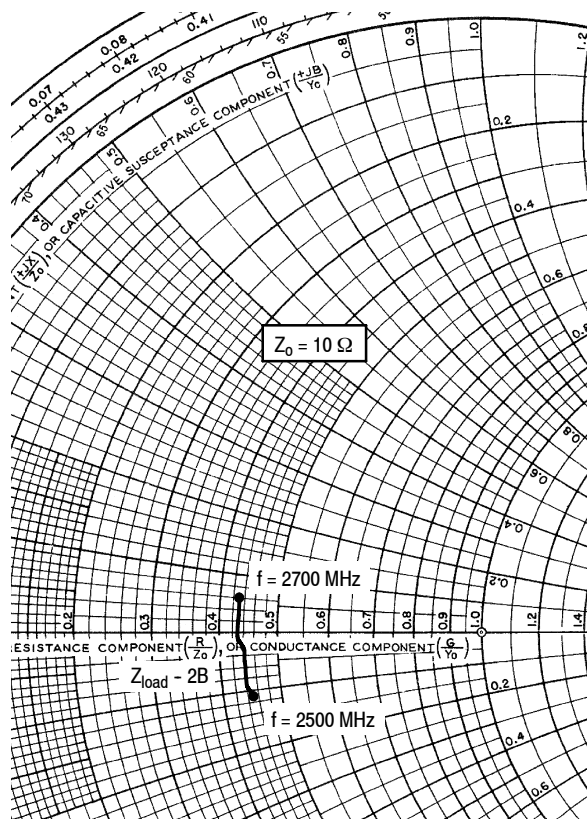
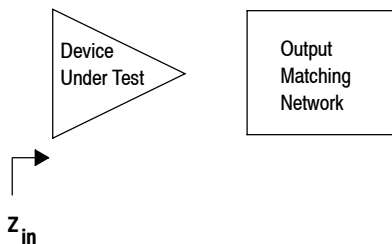
SIDE 1B — Measured Data

$V_{DD} = 28$ Vdc, $I_{DQ1A} = I_{DQ1B} = 80$ mA, $I_{DQ2B} = 275$ mA,
 $V_{G2A} = 1.7$ Vdc, $P_{out} = 10$ W Avg.

f MHz	Z_{in} Ω
2500	51.13 - j3.65
2525	53.63 + j10.52
2550	65.26 + j9.11
2575	55.46 + j8.51
2600	56.42 + j7.21
2625	64.56 + j9.19
2650	62.22 + j8.40
2675	63.11 + j15.82
2700	63.82 + j23.55

Z_{in} = Device input impedance as measured from gate to ground.

Z_{load} = Test circuit impedance as measured from drain to ground.



SIDE 2B — Simulated Data

$V_{DD} = 28$ Vdc, $I_{DQ1A} = I_{DQ1B} = 80$ mA, $I_{DQ2B} = 275$ mA,
 $V_{G2A} = 1.7$ Vdc, $P_{out} = 10$ W Avg.

f MHz	Z_{load} Ω
2500	4.48 - j1.14
2525	4.44 - j0.93
2550	4.40 - j0.70
2575	4.38 - j0.46
2600	4.36 - j0.25
2625	4.34 - j0.14
2650	4.32 + j0.17
2675	4.31 + j0.33
2700	4.30 + j0.57

Z_{in} = Device input impedance as measured from gate to ground.

Z_{load} = Test circuit impedance as measured from drain to ground.

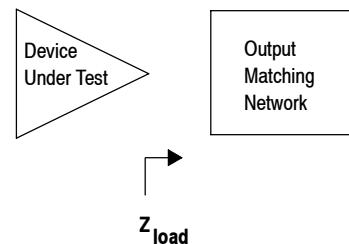
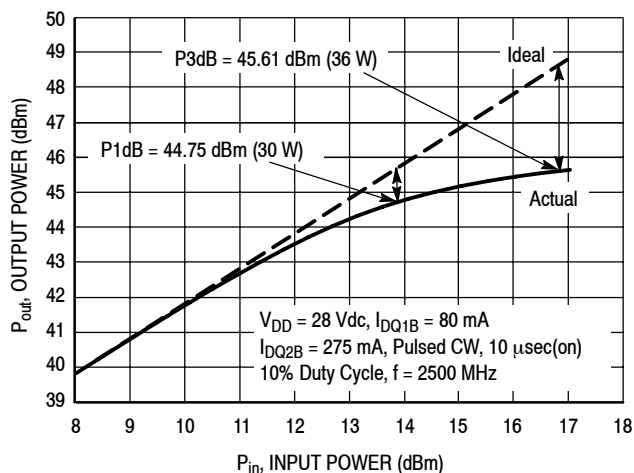


Figure 17. Series Equivalent Input and Load Impedance

ALTERNATIVE PEAK TUNE LOAD PULL CHARACTERISTICS — CLASS AB

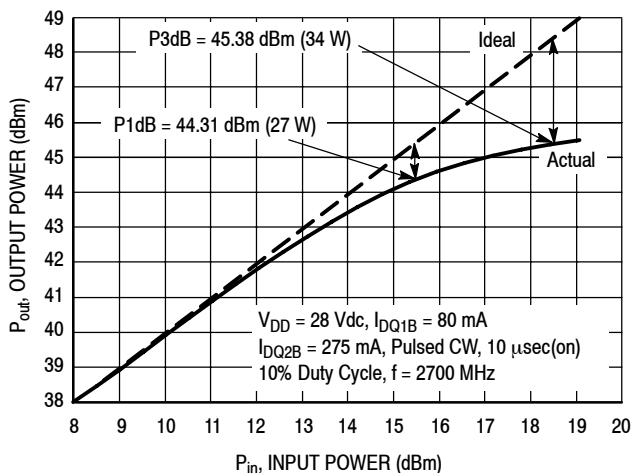


NOTE: Load Pull Test Fixture Tuned for Peak P1dB Output Power @ 28 V

Test Impedances per Compression Level

	Z_{source} Ω	Z_{load} Ω
P1dB	55.22 + j20.17	4.19 - j3.44

Figure 18. Pulsed CW Output Power versus Input Power @ 28 V @ 2500 MHz



NOTE: Load Pull Test Fixture Tuned for Peak P1dB Output Power @ 28 V

Test Impedances per Compression Level

	Z_{source} Ω	Z_{load} Ω
P1dB	48.60 + j5.11	2.47 - j3.66

Figure 19. Pulsed CW Output Power versus Input Power @ 28 V @ 2700 MHz

NOTE: Measurement made on the Class AB, carrier side of the device.

Table 7. Class AB Common Source S-Parameters ($V_{DD} = 28\text{ V}$, $I_{DQ1B} = 80\text{ mA}$, $I_{DQ2B} = 275\text{ mA}$, $T_A = 25^\circ\text{C}$, 50 Ohm System)
Measurement made on the Class AB, carrier side of the device.

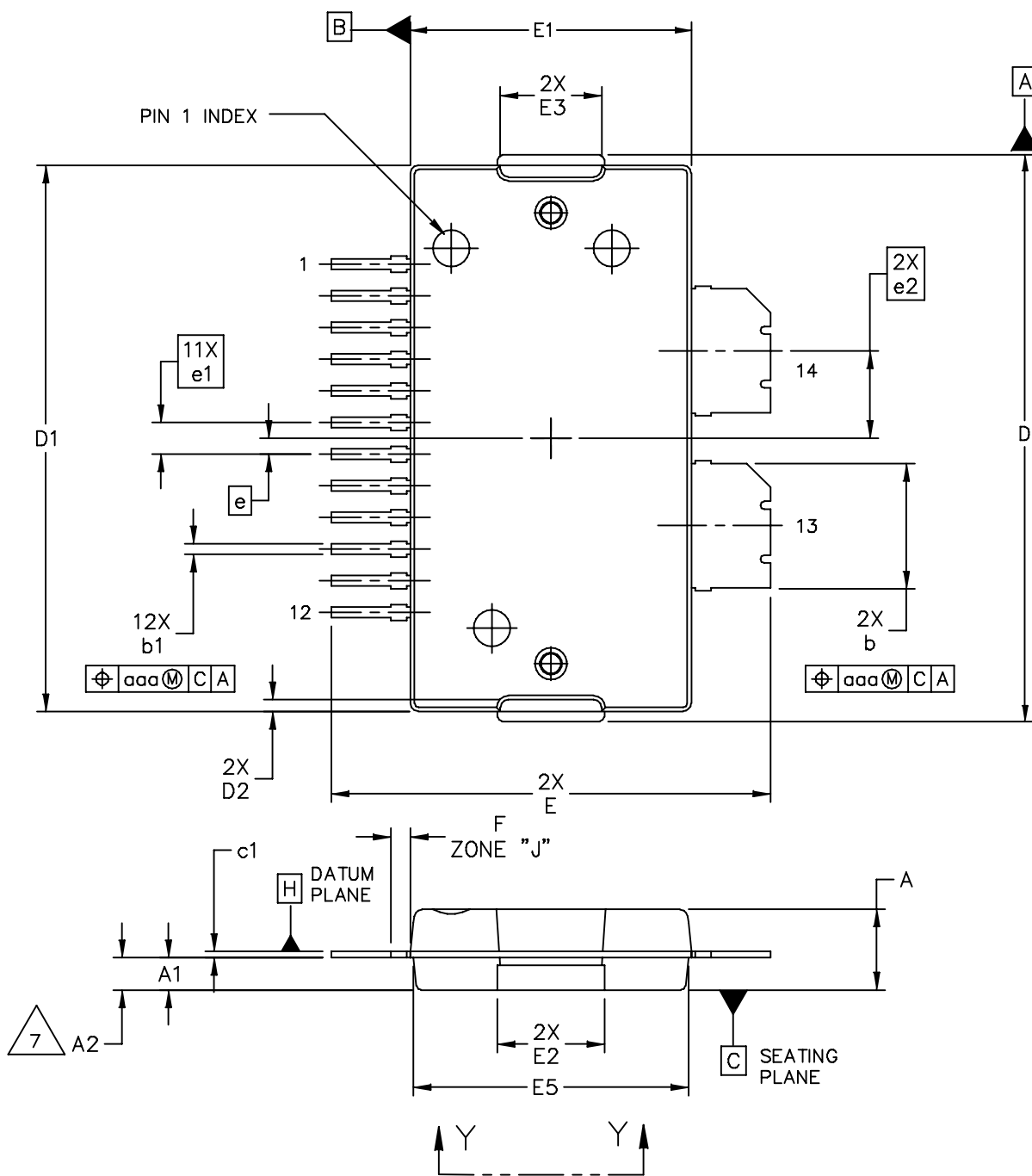
f MHz	S ₁₁		S ₂₁		S ₁₂		S ₂₂	
	S ₁₁	∠ φ	S ₂₁	∠ φ	S ₁₂	∠ φ	S ₂₂	∠ φ
1500	0.569	74.4	0.002	-64.1	0.00228	135.2	0.997	-176.0
1550	0.575	51.5	0.004	-51.1	0.00100	-30.0	0.997	-179.0
1600	0.593	34.0	0.009	-87.0	0.000590	-107.6	0.995	177.4
1650	0.618	21.8	0.032	-84.4	0.00101	-103.4	0.988	172.7
1700	0.623	14.3	0.092	-94.6	0.00168	-49.5	0.974	166.7
1750	0.601	7.6	0.209	-111.8	0.00326	-146.0	0.979	164.9
1800	0.540	1.5	0.452	-140.8	0.00369	-102.1	0.975	162.2
1850	0.426	-6.8	0.885	-175.9	0.00183	-37.4	0.962	159.2
1900	0.275	-12.9	1.539	151.6	0.00427	-46.1	0.954	156.7
1950	0.058	-69.7	2.773	120.2	0.00351	143.7	0.960	153.0
2000	0.154	121.2	4.188	93.2	0.00632	-82.3	0.946	150.8
2050	0.150	79.4	7.347	72.7	0.00857	-34.1	0.935	146.9
2100	0.064	64.0	9.595	43.3	0.0155	-51.9	0.960	144.0
2150	0.607	-131.3	24.560	26.9	0.0482	-102.7	1.296	110.3
2200	0.406	81.7	28.776	-77.6	0.0257	154.9	0.196	-103.8
2250	0.166	-68.2	22.037	-116.7	0.00750	131.6	0.497	-162.5
2300	0.184	-76.9	19.823	-156.5	0.00936	156.1	0.659	-164.7
2350	0.232	-154.0	16.761	-179.7	0.00172	-139.6	0.743	-173.5
2400	0.182	-94.9	16.827	153.2	0.00578	149.5	0.778	-173.7
2450	0.114	-38.6	15.801	128.7	0.00490	163.9	0.814	-173.9
2500	0.277	-52.4	19.305	89.9	0.00825	142.6	0.853	-169.7
2550	0.261	-3.1	11.891	58.7	0.00185	153.7	0.942	-173.7
2600	0.208	10.3	8.941	47.6	0.00411	166.2	0.961	-177.1
2650	0.568	28.8	8.433	40.6	0.00264	-155.7	0.977	-179.4
2700	0.797	25.0	7.430	15.9	0.00536	128.0	0.976	178.8
2750	0.358	26.5	5.138	-5.8	0.00527	168.2	0.973	177.1
2800	0.384	33.8	4.654	-18.4	0.00311	-178.0	0.976	175.3
2850	0.420	40.4	4.257	-28.4	0.000761	173.9	0.977	173.9
2900	0.337	25.5	3.973	-41.8	0.00233	-134.7	0.977	172.6
2950	0.166	27.4	3.240	-53.3	0.00414	-133.7	0.969	171.4
3000	0.194	23.2	2.641	-52.2	0.00578	-153.5	0.980	170.4
3050	0.186	-9.6	2.337	-61.6	0.00456	158.2	0.979	169.1
3100	0.241	-59.0	2.189	-74.9	0.00204	-78.5	0.982	168.5
3150	0.344	-81.9	2.394	-90.8	0.00281	-98.4	0.974	162.9
3200	0.392	-95.8	2.636	-105.7	0.00468	-122.1	0.966	154.9
3250	0.363	-95.2	3.397	-117.6	0.00661	-106.5	0.949	139.2
3300	0.312	-84.4	5.196	-146.4	0.0170	-126.5	0.819	93.6
3350	0.430	-65.7	5.347	144.0	0.0291	119.3	0.707	-65.7

(continued)

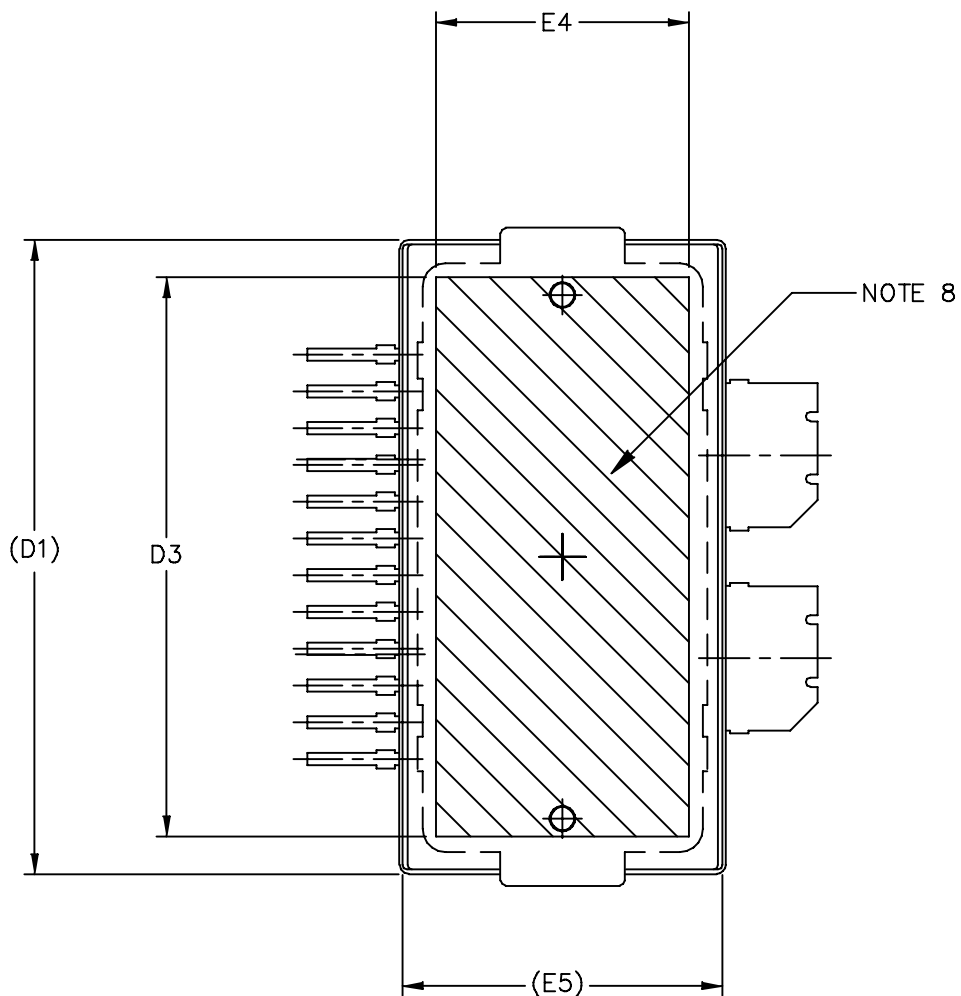
Table 7. Class AB Common Source S-Parameters ($V_{DD} = 28\text{ V}$, $I_{DQ1B} = 80\text{ mA}$, $I_{DQ2B} = 275\text{ mA}$, $T_A = 25^\circ\text{C}$, 50 Ohm System)
 Measurement made on the Class AB, carrier side of the device. **(continued)**

f MHz	S ₁₁		S ₂₁		S ₁₂		S ₂₂	
	S ₁₁	∠ φ	S ₂₁	∠ φ	S ₁₂	∠ φ	S ₂₂	∠ φ
3400	0.434	-56.5	2.527	100.7	0.00568	100.1	0.930	-139.3
3450	0.499	-50.1	1.448	92.0	0.00828	25.3	0.865	-161.1
3500	0.546	-52.3	1.394	68.4	0.000298	-87.1	0.944	-163.3
3550	0.518	-56.8	1.073	52.6	0.00543	7.1	0.965	-171.1
3600	0.492	-68.4	0.834	39.8	0.00150	-30.4	0.958	-177.1

PACKAGE DIMENSIONS



© FREESCALE SEMICONDUCTOR, INC. ALL RIGHTS RESERVED.		MECHANICAL OUTLINE		PRINT VERSION NOT TO SCALE	
TITLE: TO-270 WIDE BODY 14 LEAD		DOCUMENT NO: 98ASA10650D		REV: A	
		CASE NUMBER: 1618-02		19 JUN 2007	
		STANDARD: NON-JEDEC			



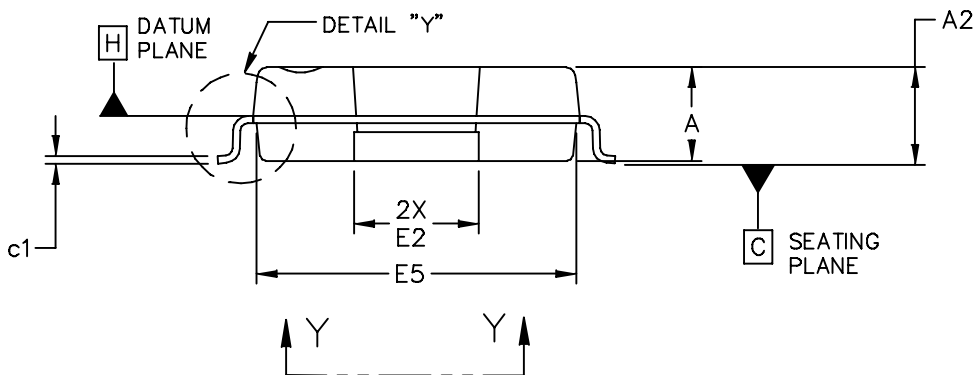
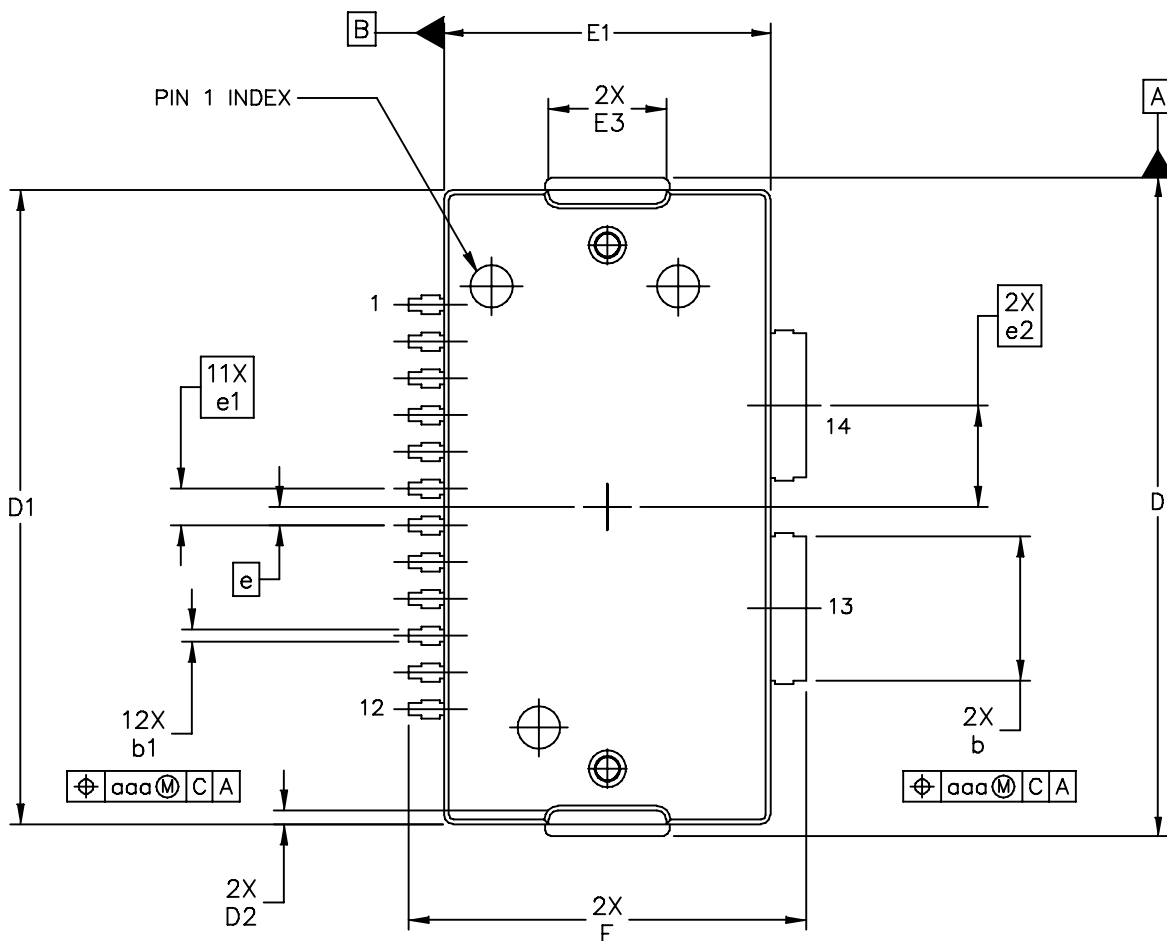
VIEW Y-Y

© FREESCALE SEMICONDUCTOR, INC. ALL RIGHTS RESERVED.	MECHANICAL OUTLINE	PRINT VERSION NOT TO SCALE	
TITLE: TO-270 WIDE BODY 14 LEAD		DOCUMENT NO: 98ASA10650D	REV: A
		CASE NUMBER: 1618-02	19 JUN 2007
		STANDARD: NON-JEDEC	

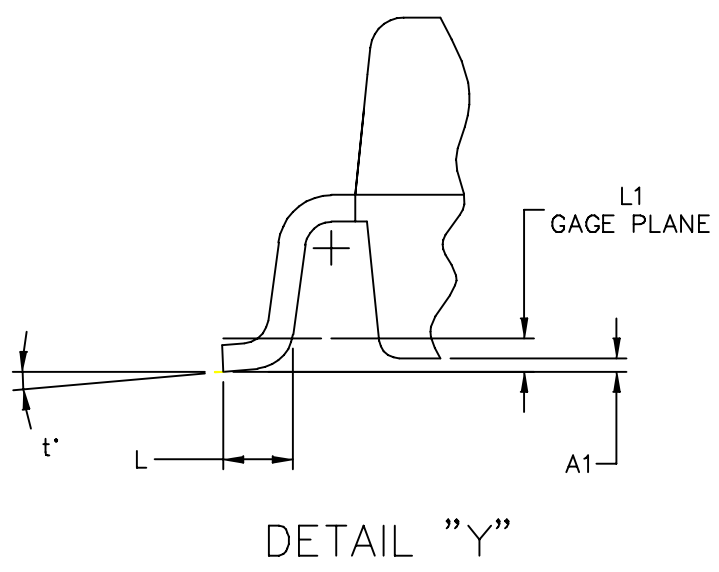
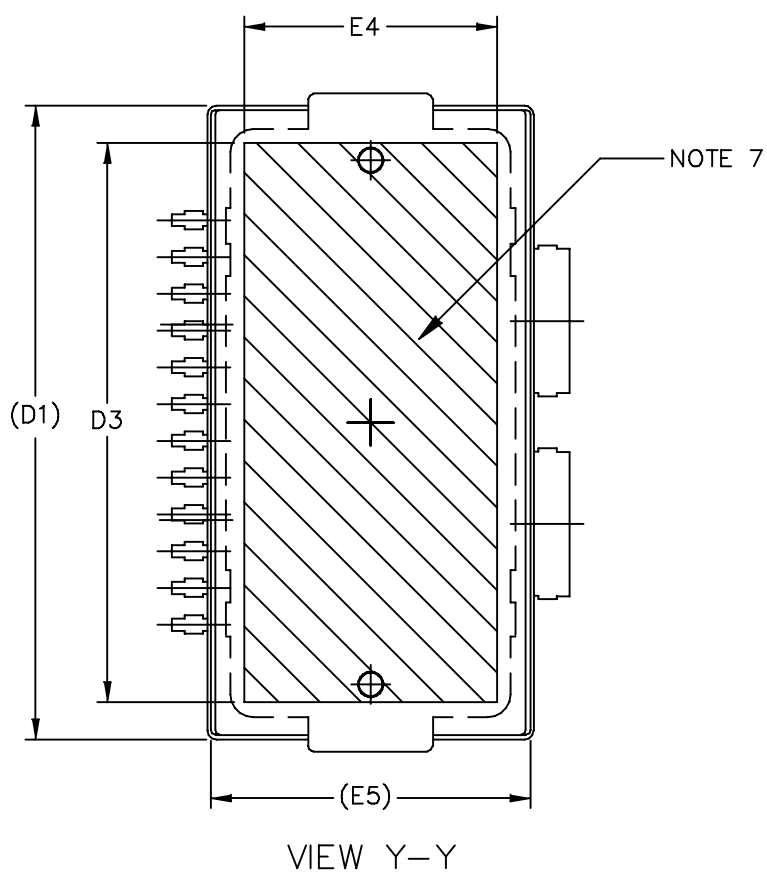
NOTES:

1. CONTROLLING DIMENSION: INCH
2. INTERPRET DIMENSIONS AND TOLERANCES PER ASME Y14.5M-1994.
3. DATUM PLANE -H- IS LOCATED AT THE TOP OF LEAD AND IS COINCIDENT WITH THE LEAD WHERE THE LEAD EXITS THE PLASTIC BODY AT THE TOP OF THE PARTING LINE.
4. DIMENSIONS "D" AND "E1" DO NOT INCLUDE MOLD PROTRUSION. ALLOWABLE PROTRUSION IS .006 PER SIDE. DIMENSIONS "D" AND "E1" DO INCLUDE MOLD MISMATCH AND ARE DETERMINED AT DATUM PLANE -H-.
5. DIMENSIONS "b" AND "b1" DOES NOT INCLUDE DAMBAR PROTRUSION. ALLOWABLE DAMBAR PROTRUSION SHALL BE .005 TOTAL IN EXCESS OF THE "b" AND "b1" DIMENSION AT MAXIMUM MATERIAL CONDITION.
6. DATUMS -A- AND -B- TO BE DETERMINED AT DATUM PLANE -H-.
7. DIMENSION A2 APPLIES WITHIN ZONE "J" ONLY.
8. HATCHING REPRESENTS THE EXPOSED AREA OF THE HEAT SLUG.

DIM	INCH		MILLIMETER		DIM	INCH		MILLIMETER	
	MIN	MAX	MIN	MAX		MIN	MAX	MIN	MAX
A	.100	.104	2.54	2.64	F	.025 BSC		0.64 BSC	
A1	.039	.043	0.99	1.09	b	.154	.160	3.91	4.06
A2	.040	.042	1.02	1.07	b1	.010	.016	0.25	0.41
D	.712	.720	18.08	18.29	c1	.007	.011	.18	.28
D1	.688	.692	17.48	17.58	e	.020 BSC		0.51 BSC	
D2	.011	.019	0.28	0.48	e1	.040 BSC		1.02 BSC	
D3	.600	---	15.24	---	e2	.1105 BSC		2.807 BSC	
E	.551	.559	14	14.2					
E1	.353	.357	8.97	9.07	aaa	.004		.10	
E2	.132	.140	3.35	3.56					
E3	.124	.132	3.15	3.35					
E4	.270	---	6.86	---					
E5	.346	.350	8.79	8.89					
© FREESCALE SEMICONDUCTOR, INC. ALL RIGHTS RESERVED.			MECHANICAL OUTLINE			PRINT VERSION NOT TO SCALE			
TITLE: TO-270 WIDE BODY 14 LEAD					DOCUMENT NO: 98ASA10650D			REV: A	
					CASE NUMBER: 1618-02			19 JUN 2007	
					STANDARD: NON-JEDEC				



© FREESCALE SEMICONDUCTOR, INC. ALL RIGHTS RESERVED.	MECHANICAL OUTLINE	PRINT VERSION NOT TO SCALE	
TITLE: TO-270 WIDE BODY 14 LEAD GULL WING	DOCUMENT NO: 98ASA10653D	REV: A	
	CASE NUMBER: 1621-02	19 JUN 2007	
	STANDARD: NON-JEDEC		



© FREESCALE SEMICONDUCTOR, INC. ALL RIGHTS RESERVED.	MECHANICAL OUTLINE	PRINT VERSION NOT TO SCALE	
TITLE: TO-270 WIDE BODY 14 LEAD GULL WING	DOCUMENT NO: 98ASA10653D	REV: A	
	CASE NUMBER: 1621-02	19 JUN 2007	
	STANDARD: NON-JEDEC		

NOTES:

1. CONTROLLING DIMENSION: INCH
2. INTERPRET DIMENSIONS AND TOLERANCES PER ASME Y14.5M-1994.
3. DATUM PLANE -H- IS LOCATED AT THE TOP OF LEAD AND IS COINCIDENT WITH THE LEAD WHERE THE LEAD EXITS THE PLASTIC BODY AT THE TOP OF THE PARTING LINE.
4. DIMENSIONS "D" AND "E1" DO NOT INCLUDE MOLD PROTRUSION. ALLOWABLE PROTRUSION IS .006 PER SIDE. DIMENSIONS "D" AND "E1" DO INCLUDE MOLD MISMATCH AND ARE DETERMINED AT DATUM PLANE -H-.
5. DIMENSIONS "b" AND "b1" DOES NOT INCLUDE DAMBAR PROTRUSION. ALLOWABLE DAMBAR PROTRUSION SHALL BE .005 TOTAL IN EXCESS OF THE "b" AND "b1" DIMENSION AT MAXIMUM MATERIAL CONDITION.
6. DATUMS -A- AND -B- TO BE DETERMINED AT DATUM PLANE -H-.
7. HATCHING REPRESENTS THE EXPOSED AREA OF THE HEAT SLUG.

DIM	INCH		MILLIMETER		DIM	INCH		MILLIMETER	
	MIN	MAX	MIN	MAX		MIN	MAX	MIN	MAX
A	.100	.104	2.54	2.64	L	.018	.024	0.46	0.61
A1	.001	.004	0.02	0.10	L1	.010 BSC		0.25 BSC	
A2	.099	.110	2.51	2.79	b	.154	.160	3.91	4.06
D	.712	.720	18.08	18.29	b1	.010	.016	0.25	0.41
D1	.688	.692	17.48	17.58	c1	.007	.011	.18	.28
D2	.011	.019	0.28	0.48	e	.020 BSC		0.51 BSC	
D3	.600	---	15.24	---	e1	.040 BSC		1.02 BSC	
E	.429	.437	10.9	11.1	e2	.1105 BSC		2.807 BSC	
E1	.353	.357	8.97	9.07	t	2'	8'	2'	8'
E2	.132	.140	3.35	3.56					
E3	.124	.132	3.15	3.35	aaa	.004		.10	
E4	.270	---	6.86	---					
E5	.346	.350	8.79	8.89					
© FREESCALE SEMICONDUCTOR, INC. ALL RIGHTS RESERVED.			MECHANICAL OUTLINE			PRINT VERSION NOT TO SCALE			
TITLE: TO-270 WIDE BODY 14 LEAD GULL WING					DOCUMENT NO: 98ASA10653D			REV: A	
					CASE NUMBER: 1621-02			19 JUN 2007	
					STANDARD: NON-JEDEC				

Refer to the following documents to aid your design process.

Application Notes

- AN1907: Solder Reflow Attach Method for High Power RF Devices in Plastic Packages
- AN1955: Thermal Measurement Methodology of RF Power Amplifiers
- AN1977: Quiescent Current Thermal Tracking Circuit in the RF Integrated Circuit Family
- AN1987: Quiescent Current Control for the RF Integrated Circuit Device Family
- AN3263: Bolt Down Mounting Method for High Power RF Transistors and RFICs in Over-Molded Plastic Packages
- AN3789: Clamping of High Power RF Transistors and RFICs in Over-Molded Plastic Packages

Engineering Bulletins

- EB212: Using Data Sheet Impedances for RF LDMOS Devices

Software

- Electromigration MTTF Calculator

For Software and Tools, do a Part Number search at <http://www.freescale.com>, and select the “Part Number” link. Go to the Software & Tools tab on the part’s Product Summary page to download the respective tool.

REVISION HISTORY

The following table summarizes revisions to this document.

Revision	Date	Description
0	Jan. 2009	<ul style="list-style-type: none"> • Initial Release of Data Sheet
1	July 2009	<ul style="list-style-type: none"> • Test Conditions clarified for Fig. 18, Pulsed CW Output Power versus Input Power @ 28 V @ 2500 MHz, and Fig. 19, Pulsed CW Output Power versus Input Power @ 28 V @ 2700 MHz, p. 12 • Added Electromigration MTTF Calculator availability to Product Software, p. 21
2	Sept. 2010	<ul style="list-style-type: none"> • For $P_{out} = 10$ W CW, changed Stage 1A, Stage 1B thermal resistance values from 4.0 (Stage 1A), 5.0 (Stage 1B) to 2.6°C/W and Stage 2A, Stage 2B thermal resistance values from 0.9 (Stage 2A), 2.1 (Stage 2B) to 1.8 in Thermal Characteristics table. For $P_{out} = 55$ W CW, changed Stage 1A, Stage 1B thermal resistance values from 4.6 (Stage 1A), 4.2 (Stage 1B) to 2.3°C/W and Stage 2A, Stage 2B thermal resistance values from 1.2 (Stage 2A), 2.0 (Stage 2B) to 1.1 in Thermal Characteristics table. Thermal value now reflects the use of the combined dissipated power from the carrier amplifier and peaking amplifier, p. 2. • Fig. 4, Test Circuit Component Layout, added labels to distinguish Carrier and Peaking side of amplifier, p. 6
3	Sept. 2010	<ul style="list-style-type: none"> • Fig. 3, Test Circuit Schematic, corrected labeling of C9 and C11 0.5 pF Chip Capacitors, p. 5

How to Reach Us:

Home Page:

www.freescale.com

Web Support:

<http://www.freescale.com/support>

USA/Europe or Locations Not Listed:

Freescale Semiconductor, Inc.
 Technical Information Center, EL516
 2100 East Elliot Road
 Tempe, Arizona 85284
 1-800-521-6274 or +1-480-768-2130
www.freescale.com/support

Europe, Middle East, and Africa:

Freescale Halbleiter Deutschland GmbH
 Technical Information Center
 Schatzbogen 7
 81829 Muenchen, Germany
 +44 1296 380 456 (English)
 +46 8 52200080 (English)
 +49 89 92103 559 (German)
 +33 1 69 35 48 48 (French)
www.freescale.com/support

Japan:

Freescale Semiconductor Japan Ltd.
 Headquarters
 ARCO Tower 15F
 1-8-1, Shimo-Meguro, Meguro-ku,
 Tokyo 153-0064
 Japan
 0120 191014 or +81 3 5437 9125
support.japan@freescale.com

Asia/Pacific:

Freescale Semiconductor China Ltd.
 Exchange Building 23F
 No. 118 Jianguo Road
 Chaoyang District
 Beijing 100022
 China
 +86 10 5879 8000
support.asia@freescale.com

For Literature Requests Only:

Freescale Semiconductor Literature Distribution Center
 1-800-441-2447 or +1-303-675-2140
 Fax: +1-303-675-2150
LDCForFreescaleSemiconductor@hibbertgroup.com

Information in this document is provided solely to enable system and software implementers to use Freescale Semiconductor products. There are no express or implied copyright licenses granted hereunder to design or fabricate any integrated circuits or integrated circuits based on the information in this document.

Freescale Semiconductor reserves the right to make changes without further notice to any products herein. Freescale Semiconductor makes no warranty, representation or guarantee regarding the suitability of its products for any particular purpose, nor does Freescale Semiconductor assume any liability arising out of the application or use of any product or circuit, and specifically disclaims any and all liability, including without limitation consequential or incidental damages. "Typical" parameters that may be provided in Freescale Semiconductor data sheets and/or specifications can and do vary in different applications and actual performance may vary over time. All operating parameters, including "Typicals", must be validated for each customer application by customer's technical experts. Freescale Semiconductor does not convey any license under its patent rights nor the rights of others. Freescale Semiconductor products are not designed, intended, or authorized for use as components in systems intended for surgical implant into the body, or other applications intended to support or sustain life, or for any other application in which the failure of the Freescale Semiconductor product could create a situation where personal injury or death may occur. Should Buyer purchase or use Freescale Semiconductor products for any such unintended or unauthorized application, Buyer shall indemnify and hold Freescale Semiconductor and its officers, employees, subsidiaries, affiliates, and distributors harmless against all claims, costs, damages, and expenses, and reasonable attorney fees arising out of, directly or indirectly, any claim of personal injury or death associated with such unintended or unauthorized use, even if such claim alleges that Freescale Semiconductor was negligent regarding the design or manufacture of the part.

Freescale™ and the Freescale logo are trademarks of Freescale Semiconductor, Inc. All other product or service names are the property of their respective owners.

© Freescale Semiconductor, Inc. 2009-2010. All rights reserved.

Looking for pricing, stock, or lifecycle information?

Click below to explore more details on WIN SOURCE:

- ⊖ [View MD7IC2755NR1 on WIN SOURCE](#)
- ⊖ [Freescale Semiconductor - NXP Information](#)

Optimize Your Supply Chain with WIN SOURCE Solutions

- ✓ Global Sourcing Solution
- ✓ Obsolete Management
- ✓ Cost Control Management
- ✓ Shortage Management
- ✓ Alternative Solution
- ✓ Excess Inventory Management