



**THE DATASHEET OF
MC9S08FL16CLC**

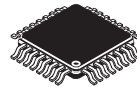




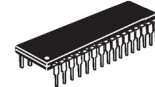
MC9S08FL16 Series

Covers: MC9S08FL16 and
MC9S08FL8

MC9S08FL16



32-Pin LQFP
873A-03



32-Pin SDIP
1376-02

Features:

8-Bit S08 Central Processor Unit (CPU)

- Up to 20 MHz CPU at 4.5 V to 5.5 V across temperature range of -40°C to 85°C
- HC08 instruction set with added BGND instruction
- Support for up to 32 interrupt/reset sources

On-Chip Memory

- Up to 16 KB flash read/program/erase over full operating voltage and temperature
- Up to 1024-byte random-access memory (RAM)
- Security circuitry to prevent unauthorized access to RAM and flash contents

Power-Saving Modes

- Two low power stop modes; reduced power wait mode
- Allows clocks to remain enabled to specific peripherals in stop3 mode

Clock Source Options

- Oscillator (XOSC) — Loop-control Pierce oscillator; crystal or ceramic resonator range of 31.25 kHz to 39.0625 kHz or 1 MHz to 16 MHz
- Internal Clock Source (ICS) — Internal clock source module containing a frequency-locked-loop (FLL) controlled by internal or external reference; precision trimming of internal reference allows 0.2% resolution and 2% deviation over temperature and voltage; supports bus frequencies up to 10 MHz

System Protection

- Watchdog computer operating properly (COP) reset with option to run from dedicated 1 kHz internal clock source or bus clock
- Low-voltage detection with reset or interrupt; selectable trip points
- Illegal opcode detection with reset

- Illegal address detection with reset
- Flash block protection

Development Support

- Single-wire background debug interface
- Breakpoint capability to allow single breakpoint setting during in-circuit debugging (plus two more breakpoints).
- On-chip in-circuit emulator (ICE) debug module containing two comparators and nine trigger modes.

Peripherals

- **IPC** — Interrupt priority controller to provide hardware based nested interrupt mechanism
- **ADC** — 12-channel, 8-bit resolution; 2.5 μs conversion time; automatic compare function; 1.7 mV/ $^{\circ}\text{C}$ temperature sensor; internal bandgap reference channel; operation in stop; optional hardware trigger; fully functional from 4.5 V to 5.5 V
- **TPM** — One 4-channel and one 2-channel timer/pulse-width modulators (TPM) modules; selectable input capture, output compare, or buffered edge- or center-aligned PWM on each channel
- **MTIM16** — One 16-bit modulo timer with optional prescaler
- **SCI** — One serial communications interface module with optional 13-bit break; LIN extensions

Input/Output

- 30 GPIOs including 1 output-only pin and 1 input-only pin

Package Options

- 32-pin SDIP
- 32-pin LQFP

This document contains information on a product under development. Freescale reserves the right to change or discontinue this product without notice.

© Freescale Semiconductor, Inc., 2009-2015. All rights reserved.



Table of Contents

1	MCU Block Diagram	3	Characteristics	19
2	System Clock Distribution	4	5.9 AC Characteristics	21
3	Pin Assignments	5	5.9.1 Control Timing	22
4	Memory Map	8	5.9.2 TPM Module Timing	23
5	Electrical Characteristics	9	5.10 ADC Characteristics	24
5.1	Introduction	9	5.11 Flash Specifications	26
5.2	Parameter Classification	9	5.12 EMC Performance	27
5.3	Absolute Maximum Ratings	9	5.12.1 Radiated Emissions	27
5.4	Thermal Characteristics	10	6 Ordering Information	27
5.5	ESD Protection and Latch-Up Immunity	11	7 Package Information	28
5.6	DC Characteristics	12	7.1 Mechanical Drawings	28
5.7	Supply Current Characteristics	17		
5.8	External Oscillator (XOSC) and ICS			

Revision History

To provide the most up-to-date information, the revision of our documents on the World Wide Web will be the most current. Your printed copy may be an earlier revision. To verify you have the latest information available, refer to:

<http://freescale.com/>

The following revision history table summarizes changes contained in this document.

Rev	Date	Description of Changes
1	March 18, 2009	Initial public release.
2	July 20, 2009	Updated Section 5.12, "EMC Performance." and corrected Figure 1 and Table 1 . Corrected default trim value to 31.25 kHz.
3	Nov. 29, 2010	Updated Table 7 .
4	May, 2015	Corrected pin 12 of the Figure 3 .

Related Documentation

Find the most current versions of all documents at: <http://www.freescale.com>

Reference Manual (MC9S08FL16RM)

Contains extensive product information including modes of operation, memory, resets and interrupts, register definition, port pins, CPU, and all module information.

1 MCU Block Diagram

The block diagram, [Figure 1](#), shows the structure of MC9S08FL16 series MCU.

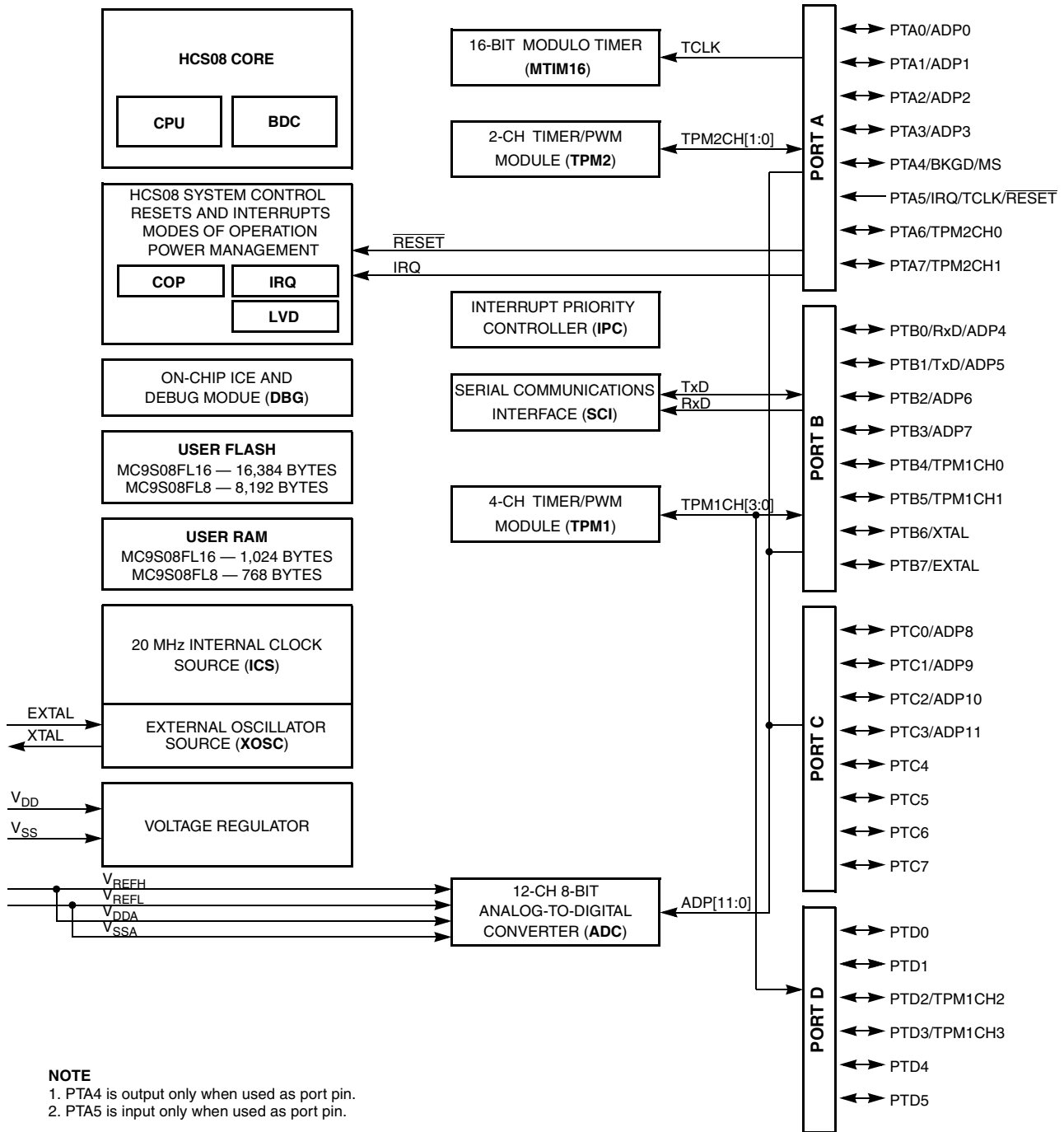


Figure 1. MC9S08FL16 Series Block Diagram

2 System Clock Distribution

MC9S08FL16 series use ICS module as clock sources. The ICS module can use internal or external clock source as reference to provide up to 20 MHz CPU clock. The output of ICS module includes,

- OSCOUT — XOSC output provides external reference clock to ADC.
- ICSFFCLK — ICS fixed frequency clock reference (around 32.768 kHz) provides double of the fixed lock signal to TPMs and MTIM16.
- ICSOUT — ICS CPU clock provides double of the bus clock which is basic clock reference of peripherals.
- ICSLCLK — Alternate BDC clock provides debug signal to BDC module.

The TCLK pin is an extra external clock source. When TCLK is enabled, it can provide alternate clock source to TPMs and MTIM16. The on-chip 1 kHz clock provides clock source of COP module.

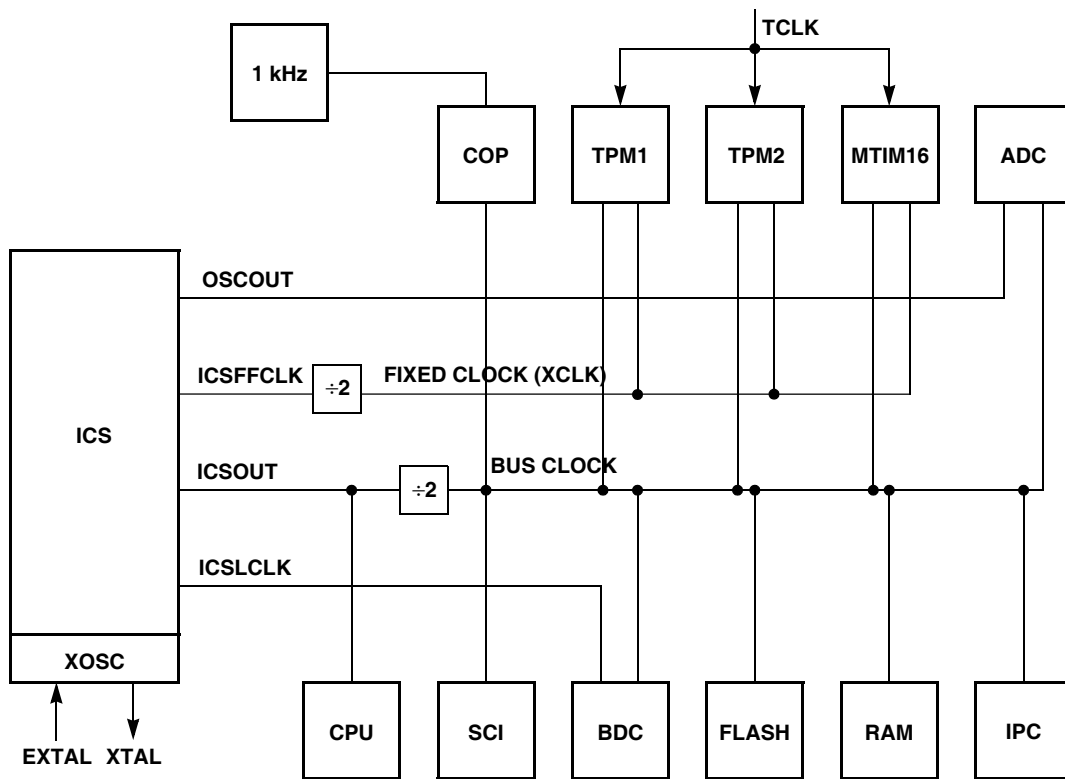


Figure 2. System Clock Distribution Diagram

3 Pin Assignments

This section shows the pin assignments for the MC9S08FL16 series devices.

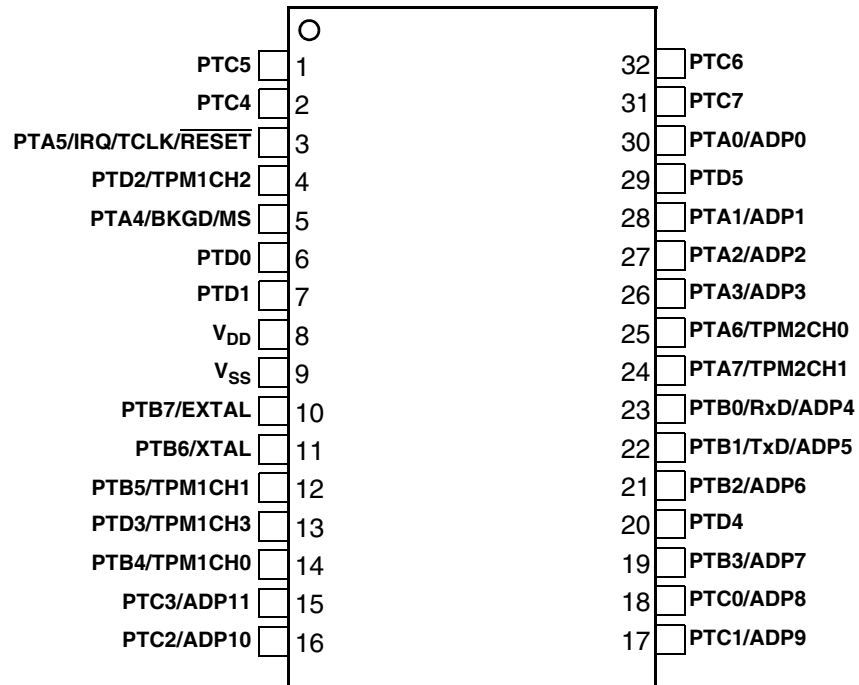


Figure 3. MC9S08FL16 Series 32-Pin SDIP Package

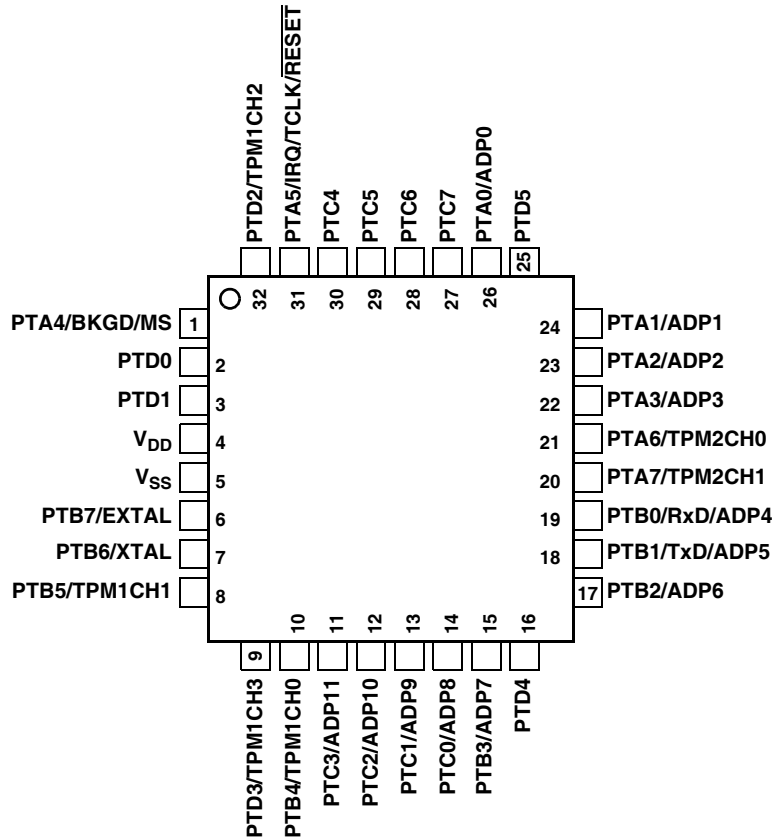


Figure 4. MC9S08FL16 Series 32-Pin LQFP Package

Table 1. Pin Availability by Package Pin-Count

Pin Number		<-- Lowest Priority --> Highest							
32-SDIP	32-LQFP	Port Pin	I/O	Alt 1	I/O	Alt 2	I/O	Alt 3	I/O
1	29	PTC5	I/O						
2	30	PTC4	I/O						
3	31	PTA5	I	IRQ	I	TCLK	I	RESET	I
4	32	PTD2	I/O			TPM1CH2	I/O		
5	1	PTA4	O			BKGD	I	MS	I
6	2	PTD0	I/O						
7	3	PTD1	I/O						
8	4							V _{DD}	I
9	5							V _{SS}	I
10	6	PTB7	I/O	EXTAL	I				
11	7	PTB6	I/O	XTAL	O				
12	8	PTB5	I/O			TPM1CH1	I/O		
13	9	PTD3	I/O			TPM1CH3	I/O		
14	10	PTB4	I/O			TPM1CH0	I/O		
15	11	PTC3	I/O			ADP11	I		

Table 1. Pin Availability by Package Pin-Count (continued)

Pin Number		<-- Lowest Priority --> Highest							
32-SDIP	32-LQFP	Port Pin	I/O	Alt 1	I/O	Alt 2	I/O	Alt 3	I/O
16	12	PTC2	I/O			ADP10	I		
17	13	PTC1	I/O			ADP9	I		
18	14	PTC0	I/O			ADP8	I		
19	15	PTB3	I/O			ADP7	I		
20	16	PTD4	I/O						
21	17	PTB2	I/O			ADP6	I		
22	18	PTB1	I/O			TxD	I/O	ADP5	I
23	19	PTB0	I/O			RxD	I	ADP4	I
24	20	PTA7	I/O			TPM2CH1	I/O		
25	21	PTA6	I/O			TPM2CH0	I/O		
26	22	PTA3	I/O			ADP3	I		
27	23	PTA2	I/O			ADP2	I		
28	24	PTA1	I/O			ADP1	I		
29	25	PTD5	I/O						
30	26	PTA0	I/O			ADP0	I		
31	27	PTC7	I/O						
32	28	PTC6	I/O						

NOTE

When an alternative function is first enabled, it is possible to get a spurious edge to the module. User software must clear out any associated flags before interrupts are enabled. [Table 1](#) illustrates the priority if multiple modules are enabled. The highest priority module will have control over the pin. Selecting a higher priority pin function with a lower priority function already enabled can cause spurious edges to the lower priority module. Disable all modules that share a pin before enabling another module.

4 Memory Map

Figure 5 shows the memory map for the MC9S08FL16 series. On-chip memory in the MC9S08FL16 series of MCUs consists of RAM, flash program memory for nonvolatile data storage, plus I/O and control/status registers. The registers are divided into two groups:

- Direct-page registers (0x0000 through 0x003F)
- High-page registers (0x1800 through 0x187F)

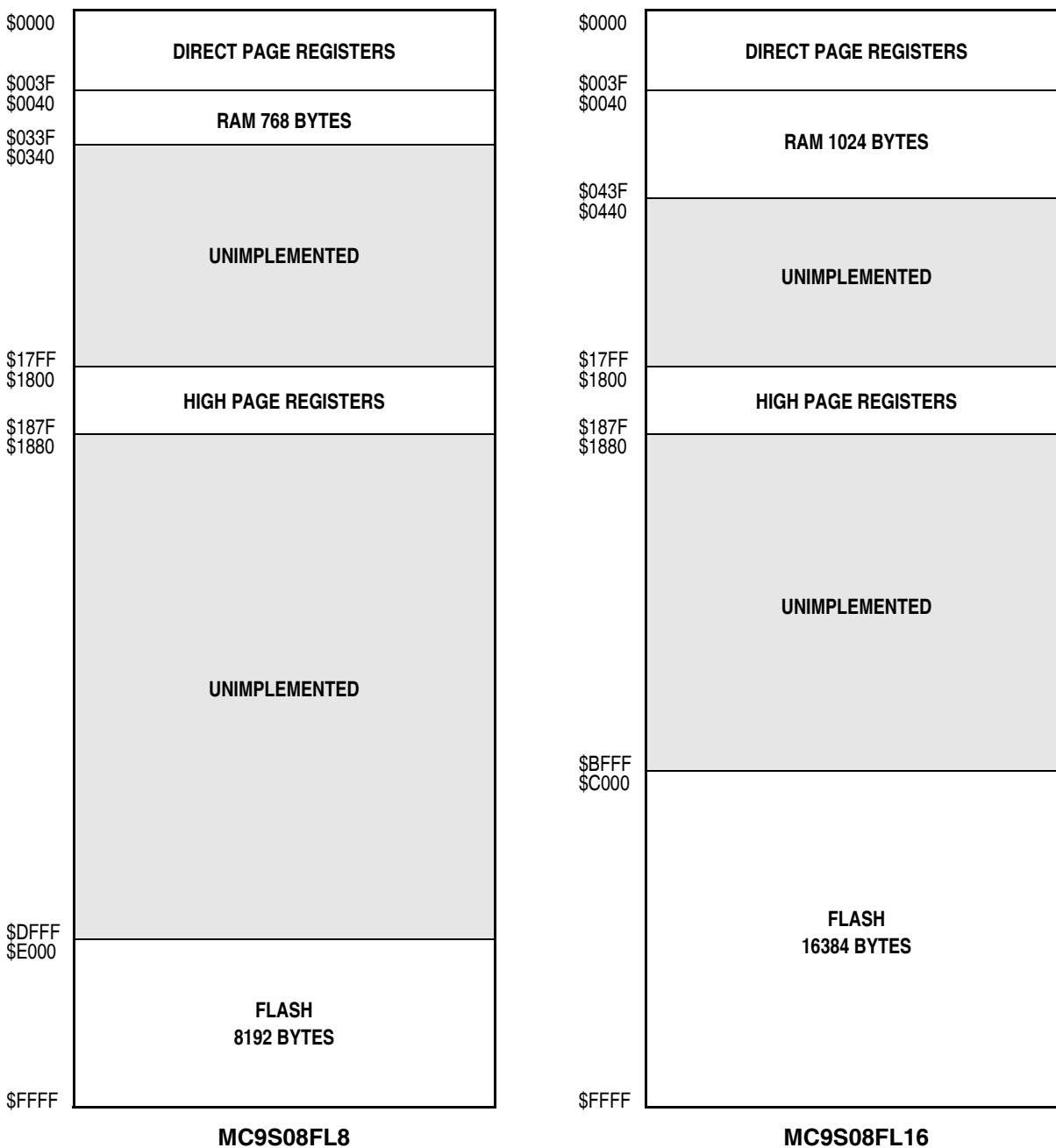


Figure 5. MC9S08FL16 Series Memory Map

5 Electrical Characteristics

5.1 Introduction

This section contains electrical and timing specifications for the MC9S08FL16 series of microcontrollers available at the time of publication.

5.2 Parameter Classification

The electrical parameters shown in this supplement are guaranteed by various methods. To give the customer a better understanding, the following classification is used and the parameters are tagged accordingly in the tables where appropriate:

Table 2. Parameter Classifications

P	Those parameters are guaranteed during production testing on each individual device.
C	Those parameters are achieved by the design characterization by measuring a statistically relevant sample size across process variations.
T	Those parameters are achieved by design characterization on a small sample size from typical devices under typical conditions unless otherwise noted. All values shown in the typical column are within this category.
D	Those parameters are derived mainly from simulations.

NOTE

The classification is shown in the column labeled “C” in the parameter tables where appropriate.

5.3 Absolute Maximum Ratings

Absolute maximum ratings are stress ratings only, and functional operation at the maxima is not guaranteed. Stress beyond the limits specified in [Table 3](#) may affect device reliability or cause permanent damage to the device. For functional operating conditions, refer to the remaining tables in this section.

This device contains circuitry protecting against damage due to high static voltage or electrical fields; however, it is advised that normal precautions be taken to avoid application of any voltages higher than maximum-rated voltages to this high-impedance circuit. Reliability of operation is enhanced if unused inputs are tied to an appropriate logic voltage level (for instance, either V_{SS} or V_{DD}) or the programmable pullup resistor associated with the pin is enabled.

Table 3. Absolute Maximum Ratings

Rating	Symbol	Value	Unit
Supply voltage	V_{DD}	-0.3 to 5.8	V
Maximum current into V_{DD}	I_{DD}	120	mA
Digital input voltage	V_{In}	-0.3 to $V_{DD} + 0.3$	V
Instantaneous maximum current Single pin limit (applies to all port pins) ^{1, 2, 3}	I_D	±25	mA
Storage temperature range	T_{stg}	-55 to 150	°C

- ¹ Input must be current limited to the value specified. To determine the value of the required current-limiting resistor, calculate resistance values for positive (V_{DD}) and negative (V_{SS}) clamp voltages, then use the larger of the two resistance values.
- ² All functional non-supply pins, except for PTA5 are internally clamped to V_{SS} and V_{DD} .
- ³ Power supply must maintain regulation within operating V_{DD} range during instantaneous and operating maximum current conditions. If positive injection current ($V_{In} > V_{DD}$) is greater than I_{DD} , the injection current may flow out of V_{DD} and could result in external power supply going out of regulation. Ensure external V_{DD} load will shunt current greater than maximum injection current. This will be the greatest risk when the MCU is not consuming power. Examples are: if no system clock is present, or if the clock rate is very low (which would reduce overall power consumption).

5.4 Thermal Characteristics

This section provides information about operating temperature range, power dissipation, and package thermal resistance. Power dissipation on I/O pins is usually small compared to the power dissipation in on-chip logic and voltage regulator circuits, and it is user-determined rather than being controlled by the MCU design. To take $P_{I/O}$ into account in power calculations, determine the difference between actual pin voltage and V_{SS} or V_{DD} and multiply by the pin current for each I/O pin. Except in cases of unusually high pin current (heavy loads), the difference between pin voltage and V_{SS} or V_{DD} will be very small.

Table 4. Thermal Characteristics

Rating	Symbol	Value	Unit
Operating temperature range (packaged)	T_A	T_L to T_H -40 to 85	°C
Thermal resistance Single-layer board			
32-pin SDIP	θ_{JA}	60	°C/W
32-pin LQFP		85	
Thermal resistance Four-layer board			
32-pin SDIP	θ_{JA}	35	°C/W
32-pin LQFP		56	

The average chip-junction temperature (T_J) in °C can be obtained from:

$$T_J = T_A + (P_D \times \theta_{JA}) \quad \text{Eqn. 1}$$

where:

T_A = Ambient temperature, °C

θ_{JA} = Package thermal resistance, junction-to-ambient, °C/W

$P_D = P_{int} + P_{I/O}$

$P_{int} = I_{DD} \times V_{DD}$, Watts — chip internal power

$P_{I/O}$ = Power dissipation on input and output pins — user determined

For most applications, $P_{I/O}$ far much smaller than P_{int} and can be neglected. An approximate relationship between P_D and T_J (if $P_{I/O}$ is neglected) is:

$$P_D = K \div (T_J + 273 \text{ °C}) \quad \text{Eqn. 2}$$

Solving [Equation 1](#) and [Equation 2](#) for K gives:

$$K = P_D \times (T_A + 273 \text{ °C}) + \theta_{JA} \times (P_D)^2 \quad \text{Eqn. 3}$$

where K is a constant pertaining to the particular part. K can be determined from [Equation 3](#) by measuring P_D (at equilibrium) for an known T_A . Using this value of K, the values of P_D and T_J can be obtained by solving [Equation 1](#) and [Equation 2](#) iteratively for any value of T_A .

5.5 ESD Protection and Latch-Up Immunity

Although damage from electrostatic discharge (ESD) is much less common on these devices than on early CMOS circuits, normal handling precautions must be taken to avoid exposure to static discharge. Qualification tests are performed to ensure that these devices can withstand exposure to reasonable levels of static without suffering any permanent damage.

During the device qualification, ESD stresses were performed for the human body model (HBM) and the charge device model (CDM).

A device is defined as a failure if after exposure to ESD pulses the device no longer meets the device specification. Complete DC parametric and functional testing is performed per the applicable device specification at room temperature followed by hot temperature, unless instructed otherwise in the device specification.

Table 5. ESD and Latch-Up Test Conditions

Model	Description	Symbol	Value	Unit
Human body	Series resistance	R1	1500	Ω
	Storage capacitance	C	100	pF
	Number of pulses per pin	—	3	—
Latch-up	Minimum input voltage limit	—	-2.5	V
	Maximum input voltage limit	—	7.5	V

Table 6. ESD and Latch-Up Protection Characteristics

No.	Rating ¹	Symbol	Min	Max	Unit
1	Human body model (HBM)	V_{HBM}	± 2000	—	V
2	Charge device model (CDM)	V_{CDM}	± 500	—	V
3	Latch-up current at $T_A = 85\text{ }^\circ\text{C}$	I_{LAT}	± 100	—	mA

¹ Parameter is achieved by design characterization on a small sample size from typical devices under typical conditions unless otherwise noted.

5.6 DC Characteristics

This section includes information about power supply requirements and I/O pin characteristics.

Table 7. DC Characteristics

Num	C	Characteristic	Symbol	Condition	Min.	Typical ¹	Max.	Unit
1	P	Operating voltage	—	—	4.5	—	5.5	V
2	C	Output high voltage All I/O pins, low-drive strength	V_{OH}	$I_{Load} = -2\text{ mA}$	$V_{DD} - 1.5$	—	—	V
	P			All I/O pins, high-drive strength	$I_{Load} = -10\text{ mA}$	$V_{DD} - 1.5$	—	
3	D	Output high current Max total I_{OH} for all ports	I_{OHT}	—	—	—	100	mA
4	C	Output low voltage All I/O pins, low-drive strength	V_{OL}	$I_{Load} = 2\text{ mA}$	—	—	1.5	V
	P			All I/O pins, high-drive strength	$I_{Load} = 10\text{ mA}$	—	—	
5	D	Output low current Max total I_{OL} for all ports	I_{OLT}	—	—	—	100	mA
6	P	Input high voltage All digital inputs	V_{IH}	—	$0.65 \times V_{DD}$	—	—	V
7	P	Input low voltage All digital inputs	V_{IL}	—	—	—	$0.35 \times V_{DD}$	V
8	C	Input hysteresis All digital inputs	V_{hys}	—	$0.06 \times V_{DD}$	—	—	mV
9	P	Input leakage current All input only pins (per pin)	$ I_{In} $	$V_{In} = V_{DD}$ or V_{SS}	—	0.1	1	μA
10	P	Hi-Z (off-state) leakage current All input/output (per pin)	$ I_{OZ} $	$V_{In} = V_{DD}$ or V_{SS}	—	0.1	1	μA
11a	C	Pullup, pulldown resistors All digital inputs, when enabled (all I/O pins other than PTA5/IRQ/TCLK/RESET)	R_{PU} , R_{PD}	—	17.5	36.5	52.5	$k\Omega$
11b	C	Pullup, pulldown resistors (PTA5/IRQ/TCLK/RESET)	R_{PU} , R_{PD} (Note ²)	—	17.5	36.5	52.5	$k\Omega$

Table 7. DC Characteristics (continued)

Num	C	Characteristic	Symbol	Condition	Min.	Typical ¹	Max.	Unit
12	C	DC injection current ^{3, 4, 5}	I_{IC}	$V_{IN} < V_{SS}, V_{IN} > V_{DD}$	-0.2	—	0.2	mA
		Single pin limit Total MCU limit, includes sum of all stressed pins			-5	—	5	mA
13	C	Input capacitance, all pins	C_{In}	—	—	—	8	pF
14	C	RAM retention voltage	V_{RAM}	—	—	0.6	1.0	V
15	C	POR re-arm voltage ⁶	V_{POR}	—	0.9	1.4	2.0	V
16	D	POR re-arm time	t_{POR}	—	10	—	—	μ s
17	P	Low-voltage detection threshold — high range	V_{LVD1} ⁷	—				V
		V_{DD} falling V_{DD} rising			3.9 4.0	4.0 4.1	4.1 4.2	
18	C	Low-voltage warning threshold — high range 1	V_{LVW3}	—				V
		V_{DD} falling V_{DD} rising			4.5 4.6	4.6 4.7	4.7 4.8	
18	P	Low-voltage warning threshold — high range 0	V_{LVW2} ⁷	—				V
		V_{DD} falling V_{DD} rising			4.2 4.3	4.3 4.4	4.4 4.5	
19	C	Low-voltage inhibit reset/recover hysteresis	V_{hys}	—	—	100	—	mV
20	C	Bandgap voltage reference ⁸	V_{BG}	—	—	1.21	—	V

¹ Typical values are measured at 25 °C. Characterized, not tested.

² The specified resistor value is the actual value internal to the device. The pullup or pulldown value may appear higher when measured externally on the pin.

³ All functional non-supply pins, except for PTA5 are internally clamped to V_{SS} and V_{DD} .

⁴ Input must be current limited to the value specified. To determine the value of the required current-limiting resistor, calculate resistance values for positive and negative clamp voltages, then use the larger of the two values.

⁵ Power supply must maintain regulation within operating V_{DD} range during instantaneous and operating maximum current conditions. If the positive injection current ($V_{In} > V_{DD}$) is greater than I_{DD} , the injection current may flow out of V_{DD} and could result in external power supply going out of regulation. Ensure that external V_{DD} load will shunt current greater than maximum injection current. This will be the greatest risk when the MCU is not consuming power. Examples are: if no system clock is present, or if clock rate is very low (which would reduce overall power consumption).

⁶ Maximum is highest voltage that POR is guaranteed.

⁷ When V_{DD} is in between the minimum of this parameter and 4.5 V, the CPU, RAM, LVD and flash are full functional, but the performance of other modules may be reduced.

⁸ Factory trimmed at $V_{DD} = 5.0$ V, Temp = 25 °C

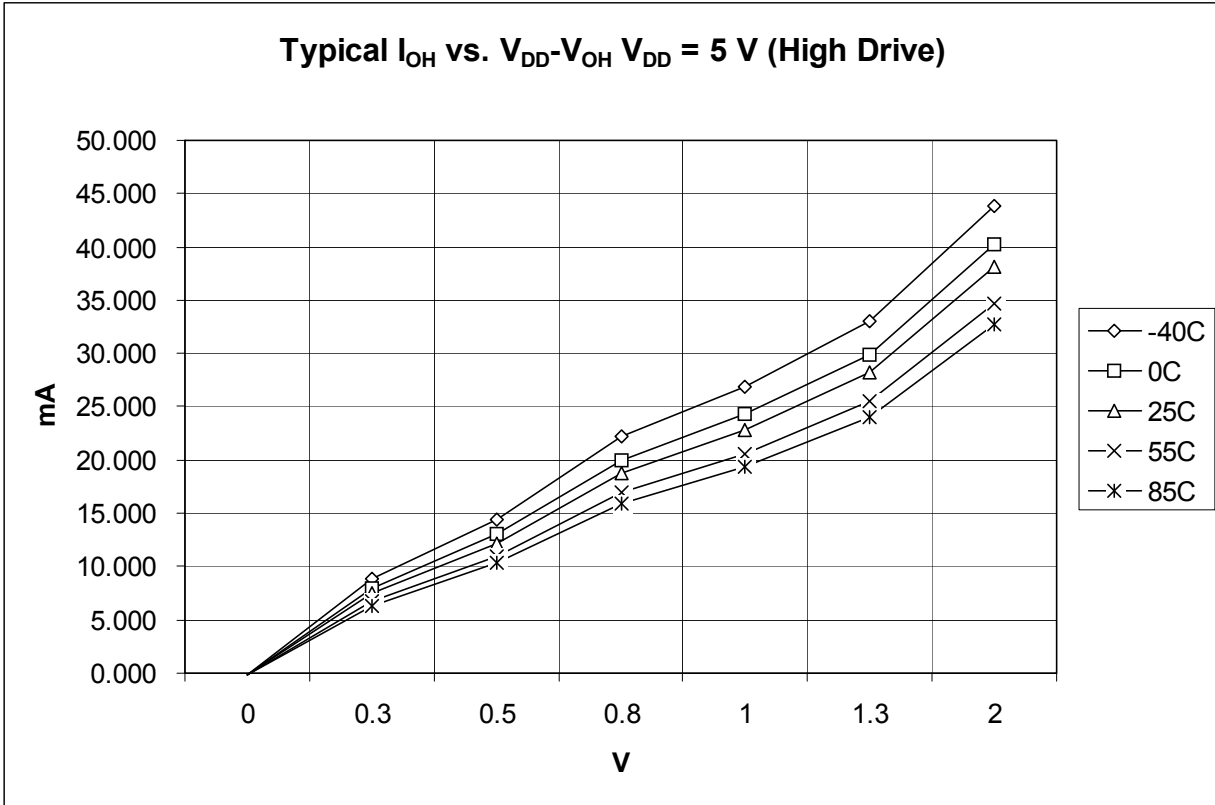


Figure 6. Typical I_{OH} Vs $V_{DD}-V_{OH}$ ($V_{DD} = 5.0\text{ V}$) (High Drive)

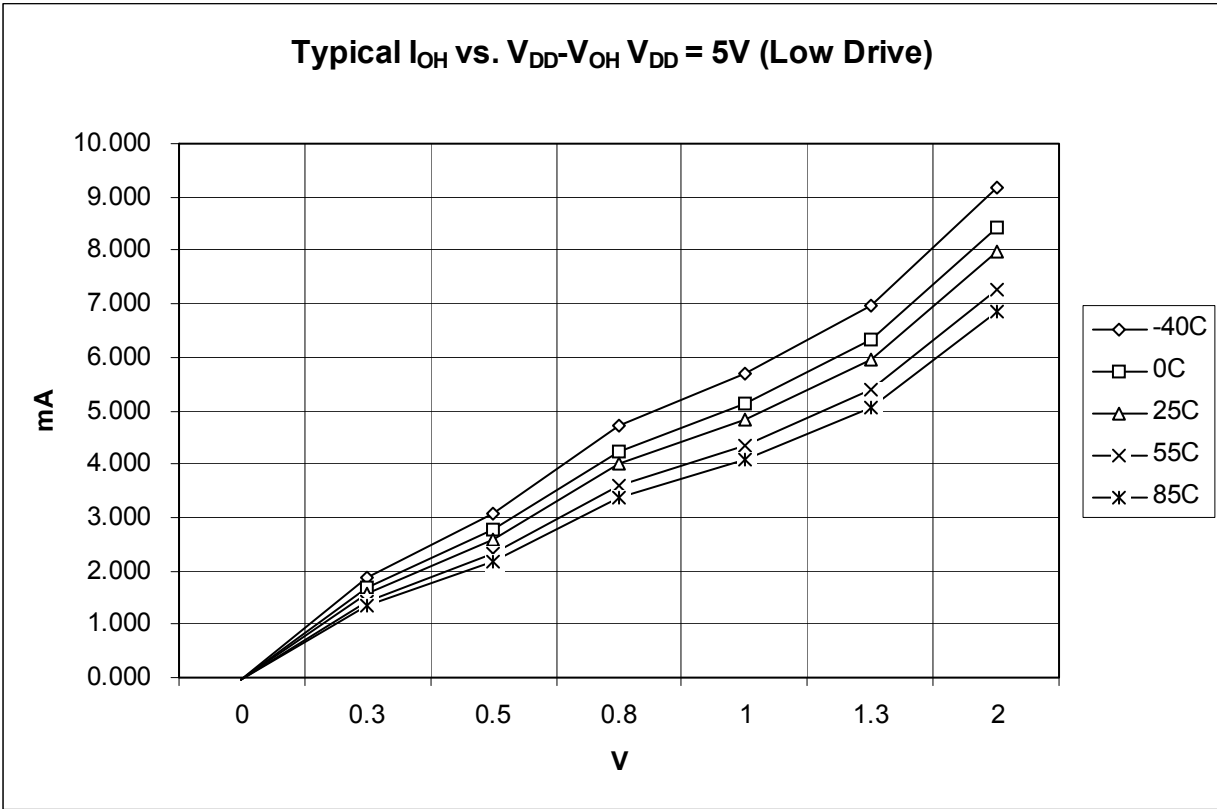


Figure 7. Typical I_{OH} Vs $V_{DD}-V_{OH}$ ($V_{DD} = 5.0 V$) (Low Drive)

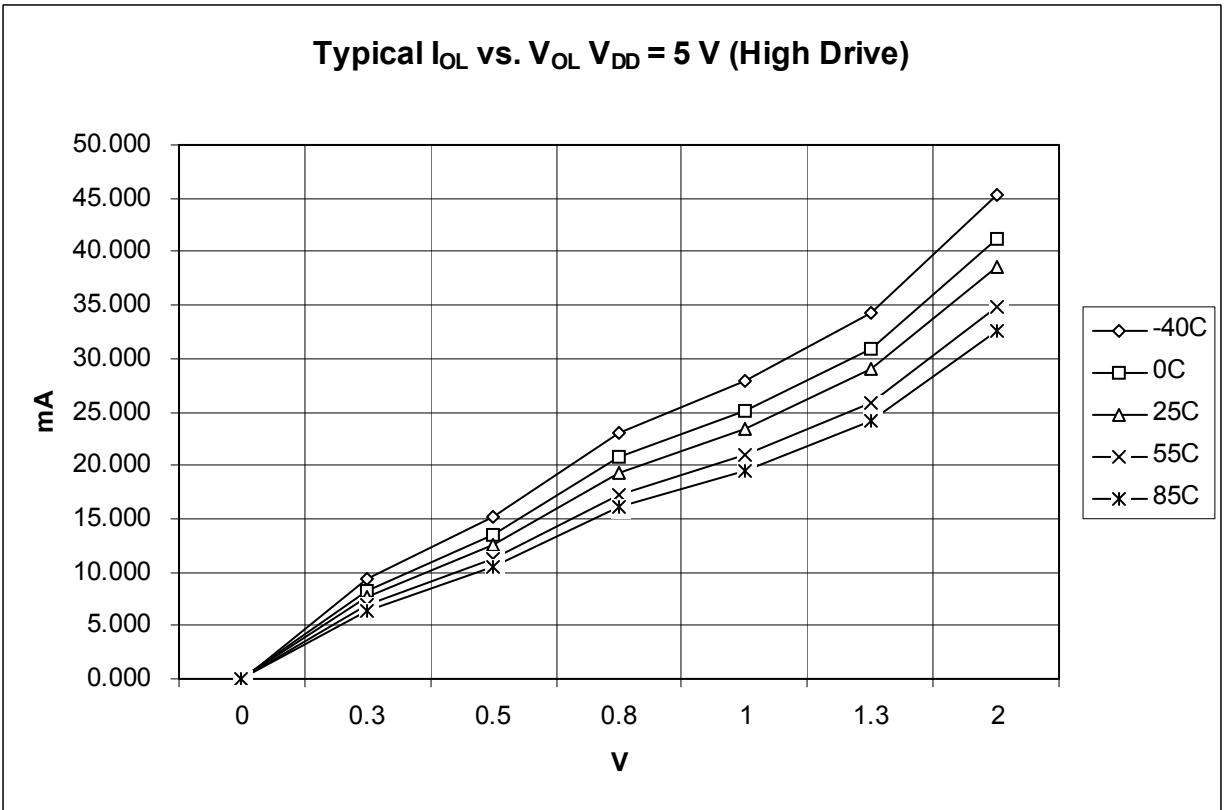


Figure 8. Typical I_{OH} Vs V_{OL} ($V_{DD} = 5.0\text{ V}$) (High Drive)

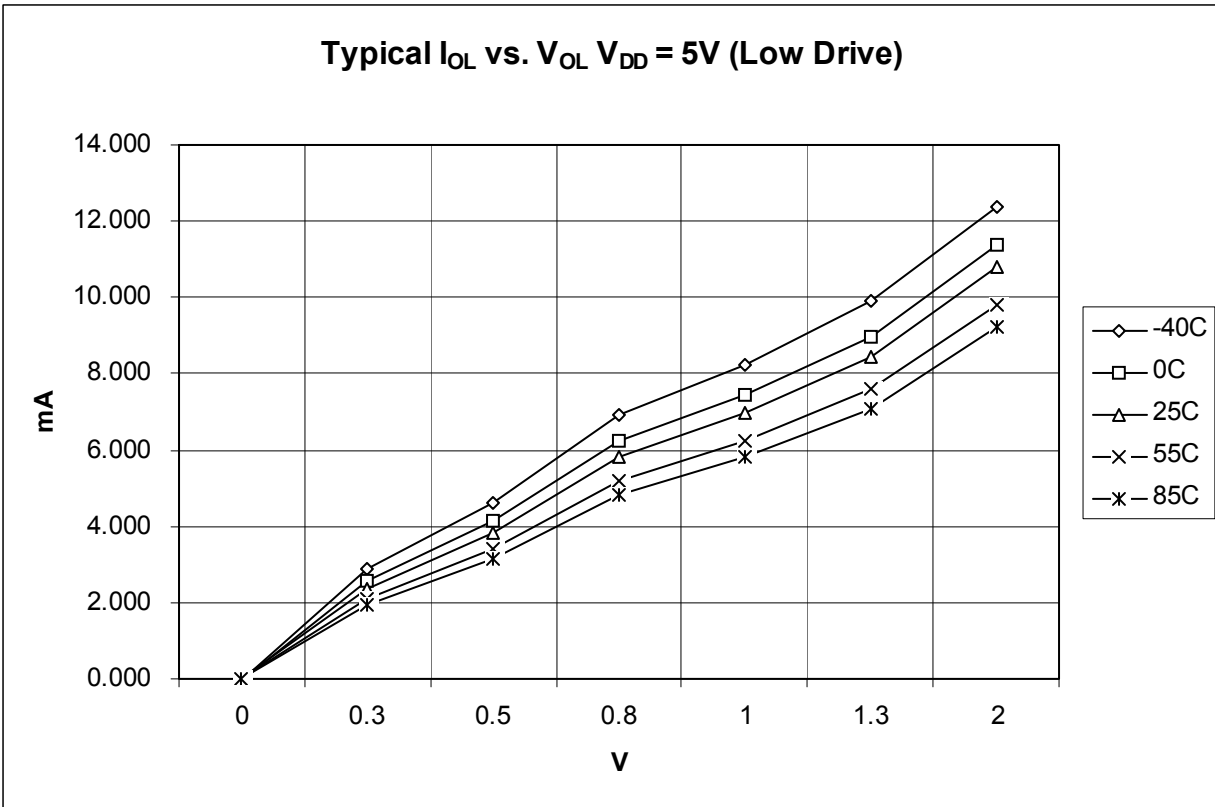


Figure 9. Typical I_{OH} Vs V_{OL} (V_{DD} = 5.0 V) (Low Drive)

5.7 Supply Current Characteristics

This section includes information about power supply current in various operating modes.

Table 8. Supply Current Characteristics

Num	C	Parameter	Symbol	Bus Freq	V _{DD} (V)	Typical ¹	Max	Unit	Temp
1	P	Run supply current FEI mode, all modules off	R _I DD	10 MHz	5	5.66 5.75 5.80	—	mA	−40 °C 25 °C 85 °C
	P			1 MHz		1.61 1.65 1.78	—		−40 °C 25 °C 85 °C
2	C	Wait mode supply current FEI mode, all modules off	W _I DD	10 MHz	5	2.79 2.86 2.88	—	μA	−40 °C 25 °C 85 °C
	C			1 MHz		1.05 1.06 1.06	—		−40 °C 25 °C 85 °C
3	C	Stop2 mode supply current	S2 _I DD	—	5	1.06	—	μA	−40 to 85 °C
	C	Stop3 mode supply current no clocks active	S3 _I DD	—	5	1.17	—	μA	−40 to 85 °C
4	C	ADC adder to stop3	—	—	5	163.88	—	μA	25 °C
5	C	ICS adder to stop3 EREFSTEN = 1	—	—	5	1.25	—	μA	25 °C
6	C	LVD adder to stop3	—	—	5	161.3	—	μA	25 °C

¹ Data in Typical column was characterized at 5.0 V, 25 °C or is typical recommended value.

5.8 External Oscillator (XOSC) and ICS Characteristics

Refer to [Figure 11](#) for crystal or resonator circuits.

Table 9. XOSC and ICS Specifications (Temperature Range = –40 to 85 °C Ambient)

Num	C	Characteristic	Symbol	Min	Typical ¹	Max	Unit
1	C	Oscillator crystal or resonator (EREFS = 1, ERCLKEN = 1) Low range (RANGE = 0)	f_{lo}	32	—	38.4	kHz MHz MHz MHz
		High range (RANGE = 1) FEE or FBE mode ²	f_{hi}	1	—	5	
		High range (RANGE = 1), high gain (HGO = 1), FBELP mode	f_{hi}	1	—	16	
		High range (RANGE = 1), low power (HGO = 0), FBELP mode	f_{hi}	1	—	8	
2	D	Load capacitors	C_1 C_2	See Note ³			
3	D	Feedback resistor	R_F		10		M Ω M Ω
		Low range (32 kHz to 38.4 kHz) High range (1 MHz to 16 MHz)			1		
4	D	Series resistor — Low range	R_S		0		k Ω
		Low gain (HGO = 0) High gain (HGO = 1)			100		
5	D	Series resistor — High range	R_S		0	0	k Ω
		Low Gain (HGO = 0)			0	10	
		High Gain (HGO = 1) ≥ 8 MHz			0	20	
		4 MHz 1 MHz			0	20	
6	C	Crystal startup time ^{4, 5}	t_{CSTL} t_{CSTH}		200		ms
		Low range, low power			400		
		Low range, high power			5		
		High range, low power High range, high power			15		
7	T	Internal reference start-up time	t_{IRST}		60	100	μ s
8	D	Square wave input clock frequency (EREFS = 0, ERCLKEN = 1)	f_{extal}	0.03125	—	5	MHz MHz
		FEE or FBE mode ² FBELP mode		0	—	20	
9	P	Average internal reference frequency — trimmed	f_{int_t}		31.25		kHz
10	P	DCO output frequency range — trimmed ⁶ Low range (DRS = 00)	f_{dco_t}	16		20	MHz
11	C	Total deviation of DCO output from trimmed frequency ⁴	Δf_{dco_t}		–1.0 to 0.5	± 2	% f_{dco}
		Over full voltage and temperature range Over fixed voltage and temperature range of 0 to 70°C			± 0.5	± 1	
12	C	FLL acquisition time ^{4,7}	$t_{Acquire}$			1	ms

Table 9. XOSC and ICS Specifications (Temperature Range = -40 to 85 °C Ambient) (continued)

Num	C	Characteristic	Symbol	Min	Typical ¹	Max	Unit
13	C	Long term jitter of DCO output clock (averaged over 2 ms interval) ⁸	C _{Jitter}	—	0.02	0.2	%f _{dco}

- ¹ Data in Typical column was characterized at 5.0 V, 25 °C or is typical recommended value.
- ² When ICS is configured for FEE or FBE mode, input clock source must be divisible using RDIV to within the range of 31.25 kHz to 39.0625 kHz.
- ³ See crystal or resonator manufacturer’s recommendation.
- ⁴ This parameter is characterized and not tested on each device.
- ⁵ Proper PC board layout procedures must be followed to achieve specifications.
- ⁶ The resulting bus clock frequency should not exceed the maximum specified bus clock frequency of the device.
- ⁷ This specification applies to any time the FLL reference source or reference divider is changed, trim value changed, DMX32 bit is changed, DRS bit is changed, or changing from FLL disabled (FBELP, FBILP) to FLL enabled (FEI, FEE, FBE, FBI). If a crystal/resonator is being used as the reference, this specification assumes it is already running.
- ⁸ Jitter is the average deviation from the programmed frequency measured over the specified interval at maximum f_{Bus}. Measurements are made with the device powered by filtered supplies and clocked by a stable external clock signal. Noise injected into the FLL circuitry via V_{DD} and V_{SS} and variation in crystal oscillator frequency increase the C_{Jitter} percentage for a given interval.

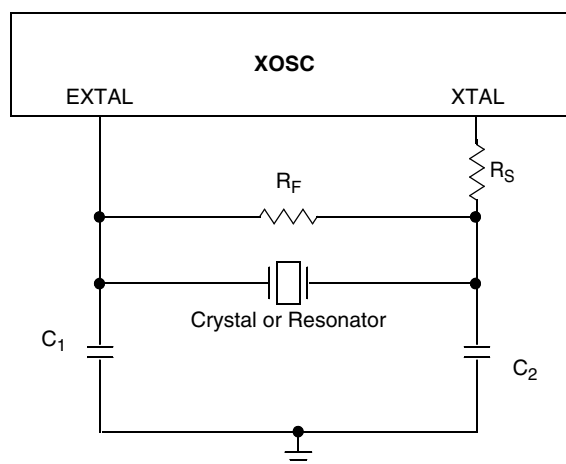


Figure 10. Typical Crystal or Resonator Circuit

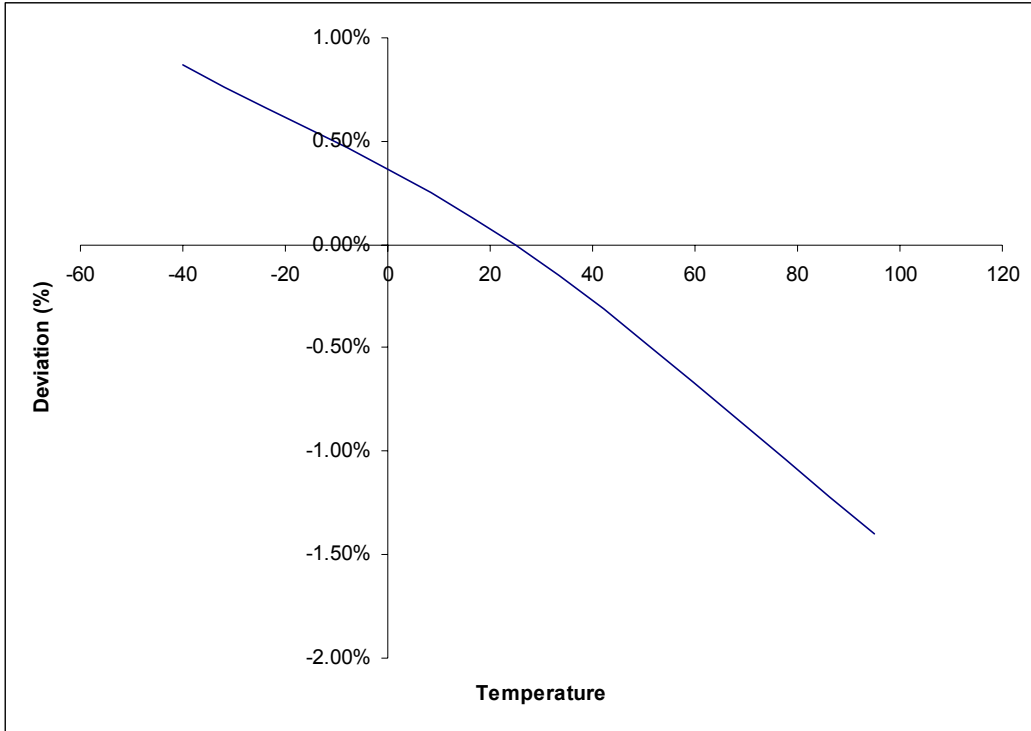


Figure 11. Deviation of DCO Output from Trimmed Frequency (20 MHz, 5.0 V)

5.9 AC Characteristics

This section describes timing characteristics for each peripheral system.

5.9.1 Control Timing

Table 10. Control Timing

Num	C	Rating	Symbol	Min	Typical ¹	Max	Unit
1	D	Bus frequency ($t_{cyc} = 1/f_{Bus}$)	f_{Bus}	dc	—	10	MHz
2	D	Internal low power oscillator period	t_{LPO}	700	—	1300	μs
3	D	External reset pulse width ²	t_{extrst}	100	—	—	ns
4	D	Reset low drive	t_{rstdrv}	$34 \times t_{cyc}$	—	—	ns
5	D	BKGD/MS setup time after issuing background debug force reset to enter user or BDM modes	t_{MSSU}	500	—	—	ns
6	D	BKGD/MS hold time after issuing background debug force reset to enter user or BDM modes ³	t_{MSH}	100	—	—	μs
7	D	IRQ pulse width Asynchronous path ² Synchronous path ⁴	t_{LIH}, t_{HIL}	100 $1.5 \times t_{cyc}$	— —	— —	ns
8	D	Keyboard interrupt pulse width Asynchronous path ² Synchronous path ⁴	t_{LIH}, t_{HIL}	100 $1.5 \times t_{cyc}$	— —	— —	ns
9	C	Port rise and fall time — Low output drive (PTxDS = 0) (load = 50 pF) ⁵ Slew rate control disabled (PTxSE = 0) Slew rate control enabled (PTxSE = 1)	t_{Rise}, t_{Fall}	— —	16 23	— —	ns
		Port rise and fall time — High output drive (PTxDS = 1) (load = 50 pF) ⁵ Slew rate control disabled (PTxSE = 0) Slew rate control enabled (PTxSE = 1)	t_{Rise}, t_{Fall}	— —	5 9	— —	ns

¹ Typical values are based on characterization data at $V_{DD} = 5.0 V$, 25 °C unless otherwise stated.

² This is the shortest pulse that is guaranteed to be recognized as a reset pin request.

³ To enter BDM mode following a POR, BKGD/MS must be held low during the power-up and for a hold time of t_{MSH} after V_{DD} rises above V_{LVD} .

⁴ This is the minimum pulse width that is guaranteed to pass through the pin synchronization circuitry. Shorter pulses may or may not be recognized. In stop mode, the synchronizer is bypassed so shorter pulses can be recognized.

⁵ Timing is shown with respect to 20% V_{DD} and 80% V_{DD} levels. Temperature range -40 °C to 85 °C.

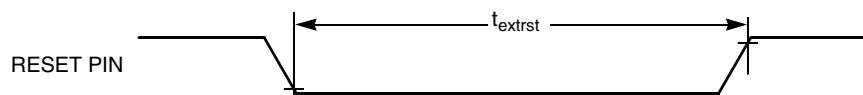
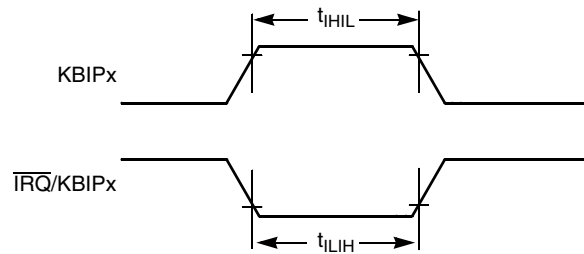


Figure 12. Reset Timing


 Figure 13. $\overline{\text{IRQ}}/\text{KBIPx}$ Timing

5.9.2 TPM Module Timing

Synchronizer circuits determine the shortest input pulses that can be recognized or the fastest clock that can be used as the optional external source to the timer counter. These synchronizers operate from the current bus rate clock.

Table 11. TPM Input Timing

No.	C	Function	Symbol	Min	Max	Unit
1	D	External clock frequency	f_{TCLK}	0	$f_{\text{Bus}}/4$	Hz
2	D	External clock period	t_{TCLK}	4	—	t_{cyc}
3	D	External clock high time	t_{clkh}	1.5	—	t_{cyc}
4	D	External clock low time	t_{clkl}	1.5	—	t_{cyc}
5	D	Input capture pulse width	t_{ICPW}	1.5	—	t_{cyc}

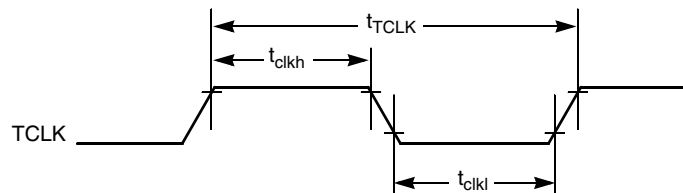


Figure 14. Timer External Clock

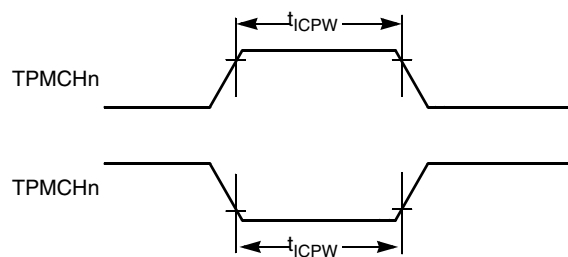


Figure 15. Timer Input Capture Pulse

5.10 ADC Characteristics

Table 12. 8-Bit ADC Operating Conditions

Characteristic	Conditions	Symb	Min	Typical ¹	Max	Unit	Comment
Supply voltage	Absolute	V_{DDA}	4.5	—	5.5	V	
	Delta to V_{DD} ($V_{DD} - V_{DDA}$) ²	ΔV_{DDA}	-100	0	100	mV	
Ground voltage	Delta to V_{SS} ($V_{SS} - V_{SSA}$) ²	ΔV_{SSA}	-100	0	100	mV	
Input voltage	—	V_{ADIN}	V_{REFL}	—	V_{REFH}	V	
Input capacitance	—	C_{ADIN}	—	4.5	5.5	pF	
Input resistance	—	R_{ADIN}	—	3	5	k Ω	
Analog source resistance	8-bit mode (all valid f_{ADCK})	R_{AS}	—	—	10	k Ω	External to MCU
ADC conversion clock frequency	High speed (ADLPC = 0)	f_{ADCK}	0.4	—	8.0	MHz	
	Low power (ADLPC = 1)		0.4	—	4.0		

¹ Typical values assume $V_{DDA} = 5.0$ V, Temp = 25 °C, $f_{ADCK} = 1.0$ MHz unless otherwise stated. Typical values are for reference only and are not tested in production.

² DC potential difference.

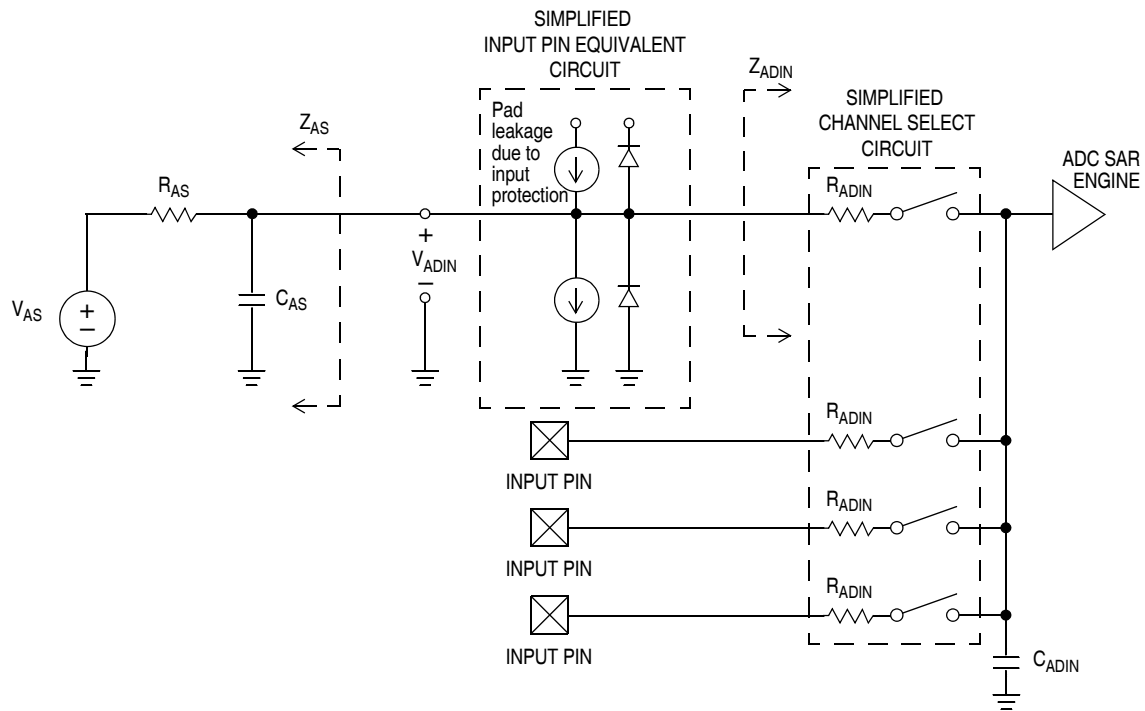


Figure 16. ADC Input Impedance Equivalency Diagram

Table 13. 8-Bit ADC Characteristics ($V_{REFH} = V_{DDA}$, $V_{REFL} = V_{SSA}$)

C	Characteristic	Conditions	Symb	Min	Typ ¹	Max	Unit	Comment
T	Supply Current ADLPC=1 ADLSMP=1 ADCO=1		I_{DDA}	—	133	—	μA	
T	Supply Current ADLPC=1 ADLSMP=0 ADCO=1		I_{DDA}	—	218	—	μA	
T	Supply Current ADLPC=0 ADLSMP=1 ADCO=1		I_{DDA}	—	327	—	μA	
P	Supply Current ADLPC=0 ADLSMP=0 ADCO=1		I_{DDA}	—	0.582	1	mA	
C	Supply Current	Stop, Reset, Module Off	I_{DDA}	—	0.011	1	μA	
P	ADC Asynchronous Clock Source	High Speed (ADLPC = 0)	f_{ADACK}	2	3.3	5	MHz	$t_{ADACK} = 1/f_{ADACK}$
		Low Power (ADLPC = 1)		1.25	2	3.3		
P	Conversion Time (Including sample time)	Short Sample (ADLSMP = 0)	t_{ADC}	—	20	—	ADCK cycles	See reference manual for conversion time variances
		Long Sample (ADLSMP = 1)		—	40	—		
P	Sample Time	Short Sample (ADLSMP = 0)	t_{ADS}	—	3.5	—	ADCK cycles	
		Long Sample (ADLSMP = 1)		—	23.5	—		
D	Temp Sensor Slope	−40°C– 25°C	m	—	3.266	—	mV/°C	
		25°C– 125°C		—	3.638	—		
D	Temp Sensor Voltage	25 °C	V_{TEMP25}	—	1.396	—	mV	
P	Total Unadjusted Error	8-bit mode	E_{TUE}	—	±0.5	±1.0	LSB ²	Includes quantization
P	Differential Non-Linearity	8-bit mode ³	DNL	—	±0.3	±0.5	LSB ²	
T	Integral Non-Linearity	8-bit mode	INL	—	±0.3	±0.5	LSB ²	
P	Zero-Scale Error	8-bit mode	E_{ZS}	—	±0.5	±0.5	LSB ²	$V_{ADIN} = V_{SSA}$
T	Full-Scale Error	8-bit mode	E_{FS}	—	±0.5	±0.5	LSB ²	$V_{ADIN} = V_{DDA}$

Table 13. 8-Bit ADC Characteristics ($V_{REFH} = V_{DDA}$, $V_{REFL} = V_{SSA}$) (continued)

C	Characteristic	Conditions	Symb	Min	Typ ¹	Max	Unit	Comment
D	Quantization Error	8-bit mode	E_Q	—	—	± 0.5	LSB ²	
D	Input Leakage Error	8-bit mode	E_{IL}	—	± 0.1	± 1	LSB ²	Pad leakage ² * R_{AS}

¹ Typical values assume $V_{DDA} = 5.0$ V, Temp = 25 °C, $f_{ADCK} = 1.0$ MHz unless otherwise stated. Typical values are for reference only and are not tested in production.

² Based on input pad leakage current. Refer to pad electricals.

5.11 Flash Specifications

This section provides details about program/erase times and program-erase endurance for the flash memory.

Program and erase operations do not require any special power sources other than the normal V_{DD} supply. For more detailed information about program/erase operations, see the Memory section.

Table 14. Flash Characteristics

C	Characteristic	Symbol	Min	Typical	Max	Unit
D	Supply voltage for program/erase -40 °C to 85 °C	$V_{prog/erase}$	4.5	—	5.5	V
D	Supply voltage for read operation	V_{Read}	4.5	—	5.5	V
D	Internal FCLK frequency ¹	f_{FCLK}	150	—	200	kHz
D	Internal FCLK period (1/FCLK)	t_{FcyC}	5	—	6.67	μs
P	Byte program time (random location) ²	t_{prog}	9			t_{FcyC}
P	Byte program time (burst mode) ²	t_{Burst}	4			t_{FcyC}
P	Page erase time ²	t_{Page}	4000			t_{FcyC}
P	Mass erase time ²	t_{Mass}	20,000			t_{FcyC}
	Byte program current ³	R_{IDDBP}	—	4	—	mA
	Page erase current ³	R_{IDPE}	—	6	—	mA
C	Program/erase endurance ⁴ T_L to $T_H = -40$ °C to 85 °C $T = 25$ °C		—	10,000	—	cycles
C	Data retention ⁵	t_{D_ret}	5	100	—	years

¹ The frequency of this clock is controlled by a software setting.

² These values are hardware state machine controlled. User code does not need to count cycles. This information supplied for calculating approximate time to program and erase.

³ The program and erase currents are additional to the standard run I_{DD} . These values are measured at room temperatures with $V_{DD} = 5.0$ V, bus frequency = 4.0 MHz.

⁴ **Typical endurance for flash** was evaluated for this product family on the 9S12Dx64. For additional information on how Freescale defines typical endurance, please refer to Engineering Bulletin EB619, *Typical Endurance for Nonvolatile Memory*.

⁵ **Typical data retention** values are based on intrinsic capability of the technology measured at high temperature and de-rated to 25°C using the Arrhenius equation. For additional information on how Freescale defines typical data retention, please refer to Engineering Bulletin EB618, *Typical Data Retention for Nonvolatile Memory*.

5.12 EMC Performance

Electromagnetic compatibility (EMC) performance is highly dependant on the environment in which the MCU resides. Board design and layout, circuit topology choices, location and characteristics of external components as well as MCU software operation all play a significant role in EMC performance. The system designer should consult Freescale applications notes such as AN2321, AN1050, AN1263, AN2764, and AN1259 for advice and guidance specifically targeted at optimizing EMC performance.

5.12.1 Radiated Emissions

Microcontroller radiated RF emissions are measured from 150 kHz to 1 GHz using the TEM/GTEM Cell method in accordance with the IEC 61967-2 and SAE J1752/3 standards. The measurement is performed with the microcontroller installed on a custom EMC evaluation board while running specialized EMC test software. The radiated emissions from the microcontroller are measured in a TEM cell in two package orientations (the North and East).

The maximum radiated RF emissions of the tested configuration in all orientations are less than or equal to the reported emissions levels.

Table 15. Radiated Emissions, Electric Field

Parameter	Symbol	Conditions	Frequency	f _{osc} /f _{bus}	Level ¹ (Max)	Unit	
Radiated emissions, electric field	V _{RE_TEM}	V _{DD} = 5.0 V T _A = 25 °C package type 32-pin LQFP	0.15 – 50 MHz	4 MHz crystal 19 MHz bus	9	dBμV	
			50 – 150 MHz		5		
			150 – 500 MHz		2		
			500 – 1000 MHz		1		
			IEC Level		N		—
			SAE Level		1		—

¹ Data based on qualification test results.

6 Ordering Information

This section contains ordering information for MC9S08FL16 series devices. See below for an example of the device numbering system.

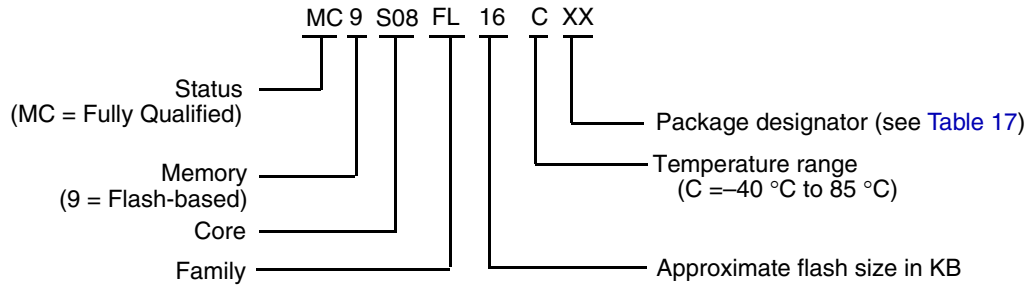
Table 16. Device Numbering System

Device Number ¹	Memory		Available Packages ²
	FLASH	RAM	
MC9S08FL16	16 KB	1024	32 SDIP
MC9S08FL8	8 KB	768	32 LQFP

Package Information

- ¹ See the reference manual, *MC9S08FL16 Series Reference Manual*, for a complete description of modules included on each device.
- ² See [Table 17](#) for package information.

Example of the device numbering system:



7 Package Information

Table 17. Package Descriptions

Pin Count	Package Type	Abbreviation	Designator	Case No.	Document No.
32	Low Quad Flat Package	LQFP	LC	873A-03	98ASH70029A
32	Shrink Dual In-line Package	SDIP	BM	1376-02	98ASA99330D

7.1 Mechanical Drawings

The following pages are mechanical drawings for the packages described in [Table 17](#).

How to Reach Us:

Home Page:
freescale.com

Web Support:
freescale.com/support

Information in this document is provided solely to enable system and software implementers to use Freescale products. There are no express or implied copyright licenses granted hereunder to design or fabricate any integrated circuits based on the information in this document. Freescale reserves the right to make changes without further notice to any products herein.

Freescale makes no warranty, representation, or guarantee regarding the suitability of its products for any particular purpose, nor does Freescale assume any liability arising out of the application or use of any product or circuit, and specifically disclaims any and all liability, including without limitation consequential or incidental damages. "Typical" parameters that may be provided in Freescale data sheets and/or specifications can and do vary in different applications, and actual performance may vary over time. All operating parameters, including "typicals," must be validated for each customer application by customer's technical experts. Freescale does not convey any license under its patent rights nor the rights of others. Freescale sells products pursuant to standard terms and conditions of sale, which can be found at the following address: freescale.com/SalesTermsandConditions.

Freescale and the Freescale logo are trademarks of Freescale Semiconductor, Inc., Reg. U.S. Pat. & Tm. Off. All other product or service names are the property of their respective owners.

© 2009-2015 Freescale Semiconductor, Inc.

Looking for pricing, stock, or lifecycle information?

Click below to explore more details on WIN SOURCE:

- ⊖ [View MC9S08FL16CLC on WIN SOURCE](#)
- ⊖ [Freescale Semiconductor - NXP Information](#)

Optimize Your Supply Chain with WIN SOURCE Solutions

- ✓ Global Sourcing Solution
- ✓ Obsolete Management
- ✓ Cost Control Management
- ✓ Shortage Management
- ✓ Alternative Solution
- ✓ Excess Inventory Management