



**THE DATASHEET OF  
MC74HC541ADWG**



# MC74HC541A

## Octal 3-State Noninverting Buffer/Line Driver/Line Receiver

### High-Performance Silicon-Gate CMOS

The MC74HC541A is identical in pinout to the LS541. The device inputs are compatible with Standard CMOS outputs. External pull-up resistors make them compatible with LSTTL outputs.

The HC541A is an octal noninverting buffer/line driver/line receiver designed to be used with 3-state memory address drivers, clock drivers, and other bus-oriented systems. This device features inputs and outputs on opposite sides of the package and two ANDED active-low output enables.

The HC541A is similar in function to the HC540A, which has inverting outputs.

#### Features

- Output Drive Capability: 15 LSTTL Loads
- Outputs Directly Interface to CMOS, NMOS and TTL
- Operating Voltage Range: 2.0 to 6.0 V
- Low Input Current: 1  $\mu$ A
- High Noise Immunity Characteristic of CMOS Devices
- In Compliance With the JEDEC Standard No. 7 A Requirements
- Chip Complexity: 134 FETs or 33.5 Equivalent Gates
- NLV Prefix for Automotive and Other Applications Requiring Unique Site and Control Change Requirements; AEC-Q100 Qualified and PPAP Capable
- These Devices are Pb-Free and are RoHS Compliant

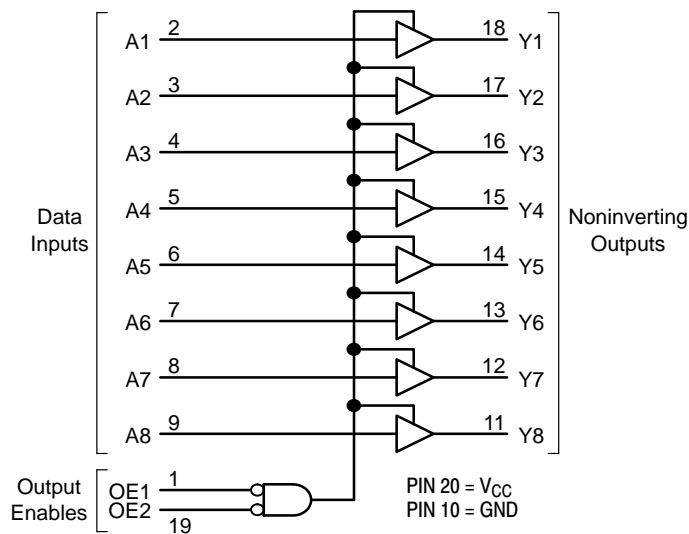
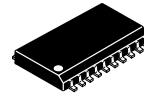


Figure 1. Logic Diagram



ON Semiconductor®

<http://onsemi.com>

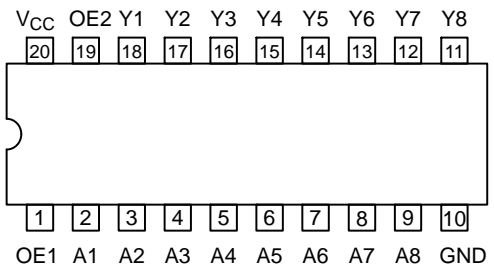


SOIC-20  
DW SUFFIX  
CASE 751D

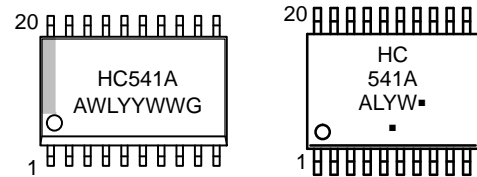


TSSOP-20  
DT SUFFIX  
CASE 948E

#### PIN ASSIGNMENT



#### MARKING DIAGRAMS



SOIC-20 TSSOP-20

- A = Assembly Location
- WL, L = Wafer Lot
- YY, Y = Year
- WW, W = Work Week
- G or  $\blacksquare$  = Pb-Free Package

(Note: Microdot may be in either location)

#### FUNCTION TABLE

| Inputs |     |   | Output Y |
|--------|-----|---|----------|
| OE1    | OE2 | A |          |
| L      | L   | L | L        |
| L      | L   | H | H        |
| H      | X   | X | Z        |
| X      | H   | X | Z        |

X = Don't Care  
Z = High Impedance

#### ORDERING INFORMATION

See detailed ordering and shipping information in the package dimensions section on page 5 of this data sheet.

# MC74HC541A

## MAXIMUM RATINGS

| Symbol        | Parameter                                       | Value   | Unit            |
|---------------|---|---|-----------------|
| $V_{CC}$      | DC Supply Voltage                               | -0.5 to +7.0  | V               |
| $V_I$         | DC Input Voltage                                | $-0.5 \leq V_I \leq V_{CC} + 0.5$   | V               |
| $V_O$         | DC Output Voltage (Note 1)                      | $-0.5 \leq V_O \leq V_{CC} + 0.5$   | V               |
| $I_{IK}$      | DC Input Diode Current                          | $\pm 20$  | mA              |
| $I_{OK}$      | DC Output Diode Current                         | $\pm 35$  | mA              |
| $I_O$         | DC Output Sink Current                          | $\pm 35$  | mA              |
| $I_{CC}$      | DC Supply Current per Supply Pin                | $\pm 75$  | mA              |
| $I_{GND}$     | DC Ground Current per Ground Pin                | $\pm 75$  | mA              |
| $T_{STG}$     | Storage Temperature Range                       | -65 to +150   | °C              |
| $T_L$         | Lead Temperature, 1 mm from Case for 10 Seconds | 260   | °C              |
| $T_J$         | Junction Temperature under Bias                 | +150  | °C              |
| $\theta_{JA}$ | Thermal Resistance                              | SOIC<br>TSSOP<br>96<br>128  | °C/W            |
| $P_D$         | Power Dissipation in Still Air at 85°C          | SOIC<br>TSSOP<br>500<br>450   | mW              |
| MSL           | Moisture Sensitivity                            | Level 1   |                 |
| $F_R$         | Flammability Rating                             | Oxygen Index: 30% – 35%<br>UL 94 V-0 @ 0.125 in   |                 |
| $V_{ESD}$     | ESD Withstand Voltage                           | Human Body Model (Note 2)<br>Machine Model (Note 3)<br>Charged Device Model (Note 4)<br>> 4000<br>> 300<br>> 1000 | V               |
| $I_{Latchup}$ | Latchup Performance                             | Above $V_{CC}$ and Below GND at 85°C (Note 5)   | $\pm 300$<br>mA |

Stresses exceeding those listed in the Maximum Ratings table may damage the device. If any of these limits are exceeded, device functionality should not be assumed, damage may occur and reliability may be affected.

1.  $I_O$  absolute maximum rating must be observed.
2. Tested to EIA/JESD22-A114-A.
3. Tested to EIA/JESD22-A115-A.
4. Tested to JESD22-C101-A.
5. Tested to EIA/JESD78.

## RECOMMENDED OPERATING CONDITIONS

| Symbol                  | Parameter   | Min   | Max         | Unit                     |
|-------------------------|---|---|-------------|--------------------------|
| $V_{CC}$                | DC Supply Voltage<br>(Referenced to GND)                | 2.0   | 6.0         | V                        |
| $V_{IN}$ ,<br>$V_{OUT}$ | DC Input Voltage, Output Voltage<br>(Referenced to GND) | 0   | $V_{CC}$    | V                        |
| $T_A$                   | Operating Temperature Range, All Package Types          | -55   | +125        | °C                       |
| $t_r$ , $t_f$           | Input Rise/Fall Time<br>(Figure 2)                      | $V_{CC} = 2.0\text{ V}$<br>$V_{CC} = 4.5\text{ V}$<br>$V_{CC} = 6.0\text{ V}$ | 0<br>0<br>0 | 1000<br>500<br>400<br>ns |

Functional operation above the stresses listed in the Recommended Operating Ranges is not implied. Extended exposure to stresses beyond the Recommended Operating Ranges limits may affect device reliability.

6. Unused inputs may not be left open. All inputs must be tied to a high-logic voltage level or a low-logic input voltage level.

# MC74HC541A

## DC CHARACTERISTICS (Voltages Referenced to GND)

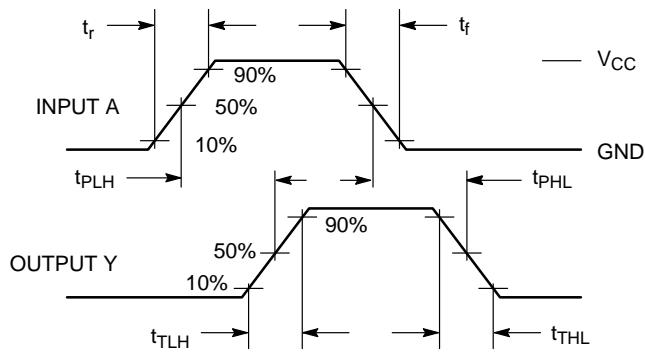
| Symbol          | Parameter                                      | Condition   | V <sub>CC</sub><br>V | Guaranteed Limit |       |        | Unit |
|-----------------|--|---|----------------------|------------------|-------|--------|------|
|                 |  |   |                      | -55 to<br>25°C   | ≤85°C | ≤125°C |      |
| V <sub>IH</sub> | Minimum High-Level Input Voltage               | V <sub>OUT</sub> = 0.1 V<br> I <sub>OUT</sub>   ≤ 20 μA   | 2.0                  | 1.50             | 1.50  | 1.50   | V    |
|                 |  |   | 3.0                  | 2.10             | 2.10  | 2.10   |      |
|                 |  |   | 4.5                  | 3.15             | 3.15  | 3.15   |      |
|                 |  |   | 6.0                  | 4.20             | 4.20  | 4.20   |      |
| V <sub>IL</sub> | Maximum Low-Level Input Voltage                | V <sub>OUT</sub> = V <sub>CC</sub> - 0.1 V<br> I <sub>OUT</sub>   ≤ 20 μA   | 2.0                  | 0.50             | 0.50  | 0.50   | V    |
|                 |  |   | 3.0                  | 0.90             | 0.90  | 0.90   |      |
|                 |  |   | 4.5                  | 1.35             | 1.35  | 1.35   |      |
|                 |  |   | 6.0                  | 1.80             | 1.80  | 1.80   |      |
| V <sub>OH</sub> | Minimum High-Level Output Voltage              | V <sub>IN</sub> = V <sub>IL</sub><br> I <sub>OUT</sub>   ≤ 20 μA  | 2.0                  | 1.9              | 1.9   | 1.9    | V    |
|                 |  |   | 4.5                  | 4.4              | 4.4   | 4.4    |      |
|                 |  |   | 6.0                  | 5.9              | 5.9   | 5.9    |      |
|                 |  | V <sub>IN</sub> = V <sub>IL</sub><br> I <sub>OUT</sub>   ≤ 3.6 mA<br> I <sub>OUT</sub>   ≤ 6.0 mA<br> I <sub>OUT</sub>   ≤ 7.8 mA   | 3.0                  | 2.48             | 2.34  | 2.20   |      |
|                 |  |   | 4.5                  | 3.98             | 3.84  | 3.70   |      |
|                 |  |   | 6.0                  | 5.48             | 5.34  | 5.20   |      |
| V <sub>OL</sub> | Maximum Low-Level Output Voltage               | V <sub>IN</sub> = V <sub>IH</sub><br> I <sub>OUT</sub>   ≤ 20 μA  | 2.0                  | 0.1              | 0.1   | 0.1    | V    |
|                 |  |   | 4.5                  | 0.1              | 0.1   | 0.1    |      |
|                 |  |   | 6.0                  | 0.1              | 0.1   | 0.1    |      |
|                 |  | V <sub>IN</sub> = V <sub>IH</sub><br> I <sub>OUT</sub>   ≤ 3.6 mA<br> I <sub>OUT</sub>   ≤ 6.0 mA<br> I <sub>OUT</sub>   ≤ 7.8 mA   | 3.0                  | 0.26             | 0.33  | 0.40   |      |
|                 |  |   | 4.5                  | 0.26             | 0.33  | 0.40   |      |
|                 |  |   | 6.0                  | 0.26             | 0.33  | 0.40   |      |
| I <sub>IN</sub> | Maximum Input Leakage Current                  | V <sub>IN</sub> = V <sub>CC</sub> or GND  | 6.0                  | ±0.1             | ±1.0  | ±1.0   | μA   |
| I <sub>OZ</sub> | Maximum 3-State Leakage Current                | Output in High Impedance State<br>V <sub>IN</sub> = V <sub>IL</sub> or V <sub>IH</sub><br>V <sub>OUT</sub> = V <sub>CC</sub> or GND | 6.0                  | ±0.5             | ±5.0  | ±10.0  | μA   |
| I <sub>CC</sub> | Maximum Quiescent Supply Current (per Package) | V <sub>IN</sub> = V <sub>CC</sub> or GND<br>I <sub>OUT</sub> = 0 μA   | 6.0                  | 4                | 40    | 160    | μA   |

## AC CHARACTERISTICS (C<sub>L</sub> = 50 pF, Input t<sub>r</sub> = t<sub>f</sub> = 6 ns)

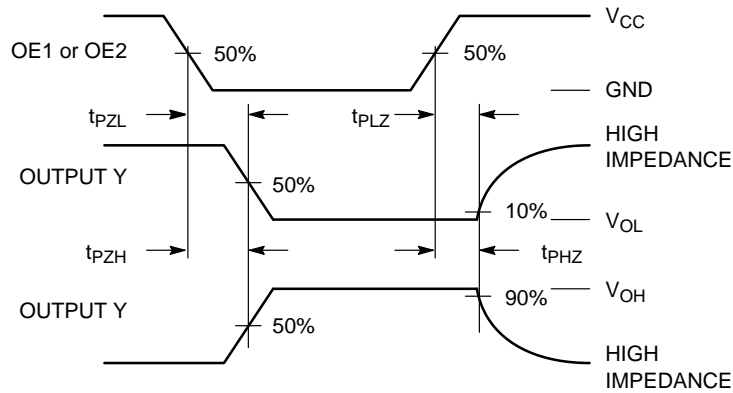
| Symbol                                 | Parameter   | V <sub>CC</sub><br>V   | Guaranteed Limit |       |        | Unit |
|--|---|--|------------------|-------|--------|------|
|  |   |  | -55 to<br>25°C   | ≤85°C | ≤125°C |      |
| t <sub>PLH</sub> ,<br>t <sub>PHL</sub> | Maximum Propagation Delay, Input A to Output Y<br>(Figures 2 and 4)       | 2.0  | 80               | 100   | 120    | ns   |
|  |   | 3.0  | 30               | 40    | 55     |      |
|  |   | 4.5  | 18               | 23    | 28     |      |
|  |   | 6.0  | 15               | 20    | 25     |      |
| t <sub>PLZ</sub> ,<br>t <sub>PHZ</sub> | Maximum Propagation Delay, Output Enable to Output Y<br>(Figures 3 and 5) | 2.0  | 110              | 140   | 165    | ns   |
|  |   | 3.0  | 45               | 60    | 75     |      |
|  |   | 4.5  | 25               | 31    | 38     |      |
|  |   | 6.0  | 21               | 26    | 31     |      |
| t <sub>PZL</sub> ,<br>t <sub>PZH</sub> | Maximum Propagation Delay, Output Enable to Output Y<br>(Figures 3 and 5) | 2.0  | 110              | 140   | 165    | ns   |
|  |   | 3.0  | 45               | 60    | 75     |      |
|  |   | 4.5  | 25               | 31    | 38     |      |
|  |   | 6.0  | 21               | 26    | 31     |      |
| t <sub>TLH</sub> ,<br>t <sub>THL</sub> | Maximum Output Transition Time, Any Output<br>(Figures 2 and 4)           | 2.0  | 60               | 75    | 90     | ns   |
|  |   | 3.0  | 22               | 28    | 34     |      |
|  |   | 4.5  | 12               | 15    | 18     |      |
|  |   | 6.0  | 10               | 13    | 15     |      |
| C <sub>IN</sub>                        | Maximum Input Capacitance   |  | 10               | 10    | 10     | pF   |
| C <sub>OUT</sub>                       | Maximum 3-State Output Capacitance (High Impedance State Output)          |  | 15               | 15    | 15     | pF   |
| C <sub>PD</sub>                        | Power Dissipation Capacitance (Per Buffer) (Note 7)                       | Typical @ 25°C, V <sub>CC</sub> = 5.0 V, V <sub>EE</sub> = 0 V |                  |       | pF     |      |
|  |   | 35   |                  |       |        |      |

7. Used to determine the no-load dynamic power consumption: P<sub>D</sub> = C<sub>PD</sub> V<sub>CC</sub><sup>2</sup>f + I<sub>CC</sub> V<sub>CC</sub>.

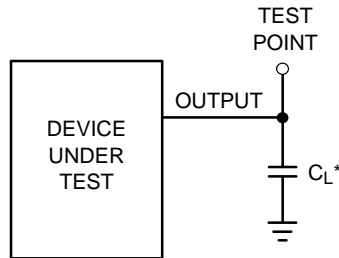
# MC74HC541A



**Figure 2. Switching Waveform**

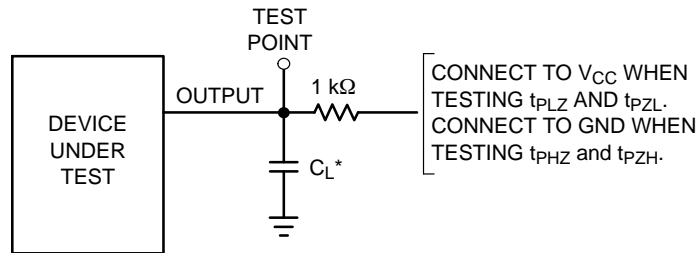


**Figure 3. Switching Waveform**



\*Includes all probe and jig capacitance

**Figure 4. Test Circuit**



\*Includes all probe and jig capacitance

**Figure 5. Test Circuit**

# MC74HC541A

## PIN DESCRIPTIONS

### INPUTS

#### A1, A2, A3, A4, A5, A6, A7, A8 (PINS 2, 3, 4, 5, 6, 7, 8, 9)

Data input pins. Data on these pins appear in non-inverted form on the corresponding Y outputs, when the outputs are enabled.

### CONTROLS

#### OE1, OE2 (PINS 1, 19)

Output enables (active-low). When a low voltage is applied to both of these pins, the outputs are enabled and the

device functions as a non-inverting buffer. When a high voltage is applied to either input, the outputs assume the high impedance state.

### OUTPUTS

#### Y1, Y2, Y3, Y4, Y5, Y6, Y7, Y8 (PINS 18, 17, 16, 15, 14, 13, 12, 11)

Device outputs. Depending upon the state of the output enable pins, these outputs are either non-inverting outputs or high-impedance outputs.

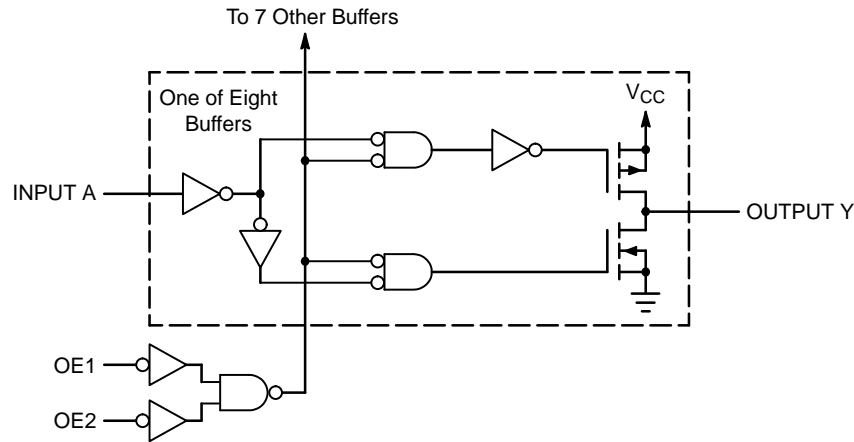


Figure 6. Logic Detail

### ORDERING INFORMATION

| Device            | Package                   | Shipping†        |
|-------------------|---------------------------|------------------|
| MC74HC541ADWG     | SOIC-20 WIDE<br>(Pb-Free) | 38 Units / Rail  |
| MC74HC541ADWR2G   | SOIC-20 WIDE<br>(Pb-Free) | 1000 Tape & Reel |
| NLV74HC541ADWR2G* | SOIC-20 WIDE<br>(Pb-Free) | 1000 Tape & Reel |
| MC74HC541ADTG     | TSSOP-20<br>(Pb-Free)     | 75 Units / Rail  |
| MC74HC541ADTR2G   | TSSOP-20<br>(Pb-Free)     | 2500 Tape & Reel |
| NLV74HC541ADTR2G* | TSSOP-20<br>(Pb-Free)     | 2500 Tape & Reel |

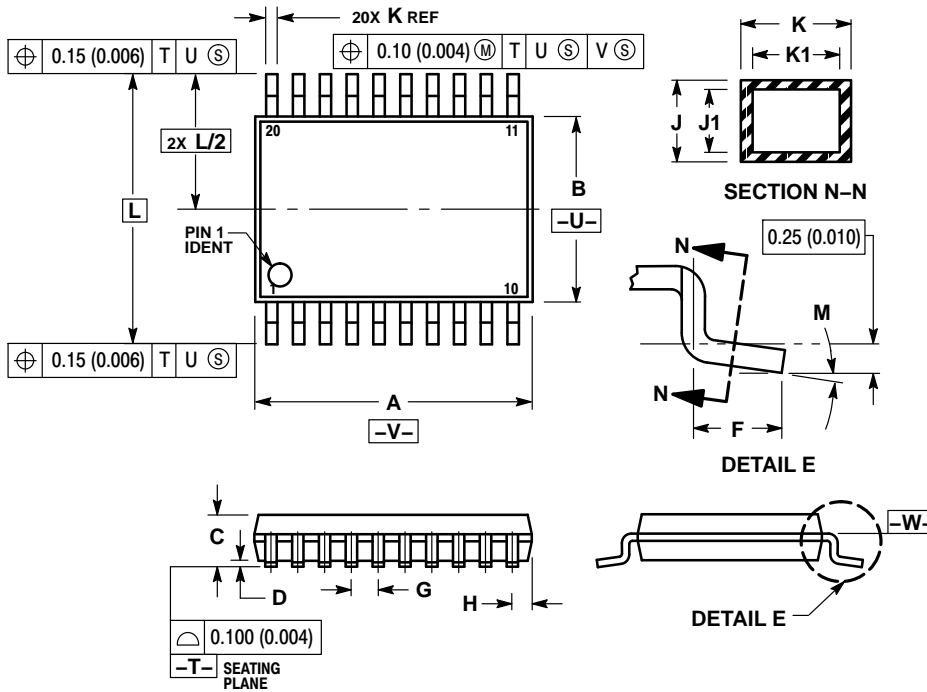
†For information on tape and reel specifications, including part orientation and tape sizes, please refer to our Tape and Reel Packaging Specifications Brochure, BRD8011/D.

\*NLV Prefix for Automotive and Other Applications Requiring Unique Site and Control Change Requirements; AEC-Q100 Qualified and PPAP Capable.

# MC74HC541A

## PACKAGE DIMENSIONS

TSSOP-20  
DT SUFFIX  
CASE 948E-02  
ISSUE C

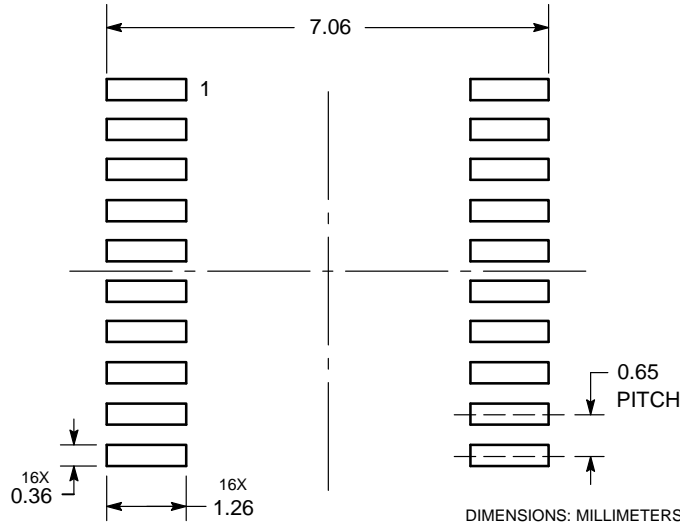


NOTES:

1. DIMENSIONING AND TOLERANCING PER ANSI Y14.5M, 1982.
2. CONTROLLING DIMENSION: MILLIMETER.
3. DIMENSION A DOES NOT INCLUDE MOLD FLASH, PROTRUSIONS OR GATE BURRS. MOLD FLASH OR GATE BURRS SHALL NOT EXCEED 0.15 (0.006) PER SIDE.
4. DIMENSION B DOES NOT INCLUDE INTERLEAD FLASH OR PROTRUSION. INTERLEAD FLASH OR PROTRUSION SHALL NOT EXCEED 0.25 (0.010) PER SIDE.
5. DIMENSION K DOES NOT INCLUDE DAMBAR PROTRUSION. ALLOWABLE DAMBAR PROTRUSION SHALL BE 0.08 (0.003) TOTAL IN EXCESS OF THE K DIMENSION AT MAXIMUM MATERIAL CONDITION.
6. TERMINAL NUMBERS ARE SHOWN FOR REFERENCE ONLY.
7. DIMENSION A AND B ARE TO BE DETERMINED AT DATUM PLANE -W-.

| DIM | MILLIMETERS |      | INCHES    |       |
|-----|-------------|------|-----------|-------|
|     | MIN         | MAX  | MIN       | MAX   |
| A   | 6.40        | 6.60 | 0.252     | 0.260 |
| B   | 4.30        | 4.50 | 0.169     | 0.177 |
| C   | ---         | 1.20 | ---       | 0.047 |
| D   | 0.05        | 0.15 | 0.002     | 0.006 |
| F   | 0.50        | 0.75 | 0.020     | 0.030 |
| G   | 0.65 BSC    |      | 0.026 BSC |       |
| H   | 0.27        | 0.37 | 0.011     | 0.015 |
| J   | 0.09        | 0.20 | 0.004     | 0.008 |
| J1  | 0.09        | 0.16 | 0.004     | 0.006 |
| K   | 0.19        | 0.30 | 0.007     | 0.012 |
| K1  | 0.19        | 0.25 | 0.007     | 0.010 |
| L   | 6.40 BSC    |      | 0.252 BSC |       |
| M   | 0°          | 8°   | 0°        | 8°    |

### SOLDERING FOOTPRINT\*

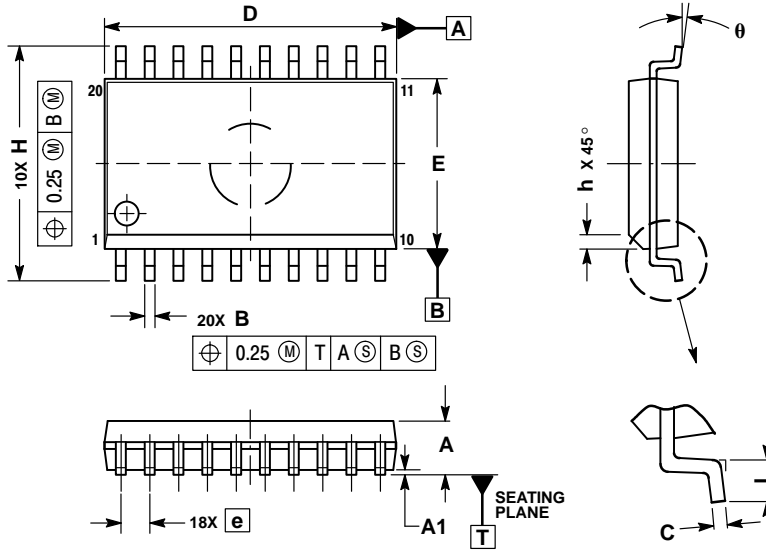


\*For additional information on our Pb-Free strategy and soldering details, please download the ON Semiconductor Soldering and Mounting Techniques Reference Manual, SOLDERRM/D.

# MC74HC541A

## PACKAGE DIMENSIONS


SOIC-20  
DW SUFFIX  
CASE 751D-05  
ISSUE G



NOTES:

1. DIMENSIONS ARE IN MILLIMETERS.
2. INTERPRET DIMENSIONS AND TOLERANCES PER ASME Y14.5M, 1994.
3. DIMENSIONS D AND E DO NOT INCLUDE MOLD PROTRUSION.
4. MAXIMUM MOLD PROTRUSION 0.15 PER SIDE.
5. DIMENSION B DOES NOT INCLUDE DAMBAR PROTRUSION. ALLOWABLE PROTRUSION SHALL BE 0.13 TOTAL IN EXCESS OF B DIMENSION AT MAXIMUM MATERIAL CONDITION.

| DIM | MILLIMETERS |       |
|-----|-------------|-------|
|     | MIN         | MAX   |
| A   | 2.35        | 2.65  |
| A1  | 0.10        | 0.25  |
| B   | 0.35        | 0.49  |
| C   | 0.23        | 0.32  |
| D   | 12.65       | 12.95 |
| E   | 7.40        | 7.60  |
| e   | 1.27 BSC    |       |
| H   | 10.05       | 10.55 |
| h   | 0.25        | 0.75  |
| L   | 0.50        | 0.90  |
| θ   | 0°          | 7°    |

ON Semiconductor and the  are registered trademarks of Semiconductor Components Industries, LLC (SCILLC) or its subsidiaries in the United States and/or other countries. SCILLC owns the rights to a number of patents, trademarks, copyrights, trade secrets, and other intellectual property. A listing of SCILLC's product/patent coverage may be accessed at [www.onsemi.com/site/pdf/Patent-Marking.pdf](http://www.onsemi.com/site/pdf/Patent-Marking.pdf). SCILLC reserves the right to make changes without further notice to any products herein. SCILLC makes no warranty, representation or guarantee regarding the suitability of its products for any particular purpose, nor does SCILLC assume any liability arising out of the application or use of any product or circuit, and specifically disclaims any and all liability, including without limitation special, consequential or incidental damages. "Typical" parameters which may be provided in SCILLC data sheets and/or specifications can and do vary in different applications and actual performance may vary over time. All operating parameters, including "Typicals" must be validated for each customer application by customer's technical experts. SCILLC does not convey any license under its patent rights nor the rights of others. SCILLC products are not designed, intended, or authorized for use as components in systems intended for surgical implant into the body, or other applications intended to support or sustain life, or for any other application in which the failure of the SCILLC product could create a situation where personal injury or death may occur. Should Buyer purchase or use SCILLC products for any such unintended or unauthorized application, Buyer shall indemnify and hold SCILLC and its officers, employees, subsidiaries, affiliates, and distributors harmless against all claims, costs, damages, and expenses, and reasonable attorney fees arising out of, directly or indirectly, any claim of personal injury or death associated with such unintended or unauthorized use, even if such claim alleges that SCILLC was negligent regarding the design or manufacture of the part. SCILLC is an Equal Opportunity/Affirmative Action Employer. This literature is subject to all applicable copyright laws and is not for resale in any manner.

### PUBLICATION ORDERING INFORMATION

**LITERATURE FULFILLMENT:**

Literature Distribution Center for ON Semiconductor  
P.O. Box 5163, Denver, Colorado 80217 USA  
Phone: 303-675-2175 or 800-344-3860 Toll Free USA/Canada  
Fax: 303-675-2176 or 800-344-3867 Toll Free USA/Canada  
Email: [orderlit@onsemi.com](mailto:orderlit@onsemi.com)

**N. American Technical Support:** 800-282-9855 Toll Free  
USA/Canada  
**Europe, Middle East and Africa Technical Support:**  
Phone: 421 33 790 2910  
**Japan Customer Focus Center**  
Phone: 81-3-5817-1050

**ON Semiconductor Website:** [www.onsemi.com](http://www.onsemi.com)

**Order Literature:** <http://www.onsemi.com/orderlit>

For additional information, please contact your local Sales Representative

## Looking for pricing, stock, or lifecycle information?

Click below to explore more details on WIN SOURCE:

- ⊖ [View MC74HC541ADWG](#) on WIN SOURCE
- ⊖ [ON Semiconductor](#) Information

## Optimize Your Supply Chain with WIN SOURCE Solutions

- ✓ Global Sourcing Solution
- ✓ Obsolete Management
- ✓ Cost Control Management
- ✓ Shortage Management
- ✓ Alternative Solution
- ✓ Excess Inventory Management