



**THE DATASHEET OF
MC1488D1013TR**

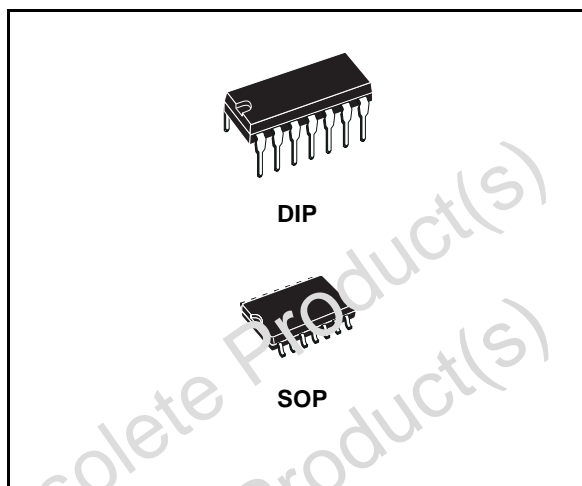


General features

- Current limited output $\pm 10\text{mA}$ typ.
- Power-off source impedance 300Ω min.
- Simple slew rate control with external capacitor
- Flexible operating supply range
- Inputs are TTL and μP compatible

Description

The MC1488 is a monolithic quad line driver designed to interface data terminal equipment with data communications equipment in conformance with the specifications of EIA Standard N° RS232C.

**Order codes**

DIP14	SO14 (Tape & reel)
MC1488P	MC1488D1013TR

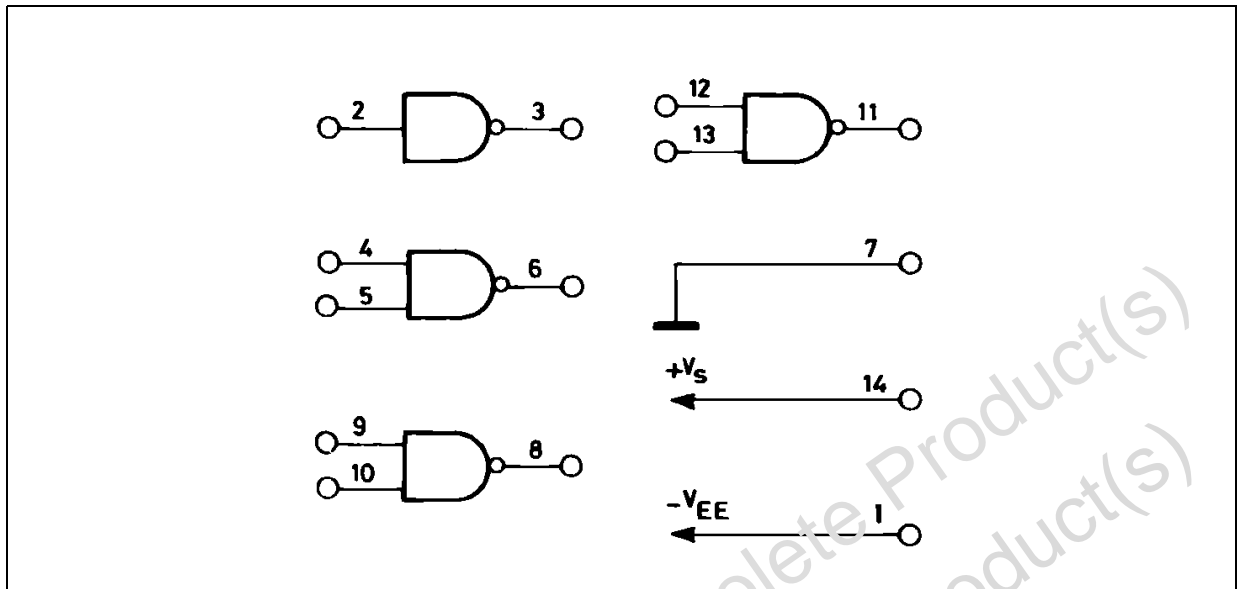
Contents

1	Diagram	3
2	Pin description	4
3	Maximum ratings	5
4	Electrical characteristics	6
5	Test circuit	8
6	Typical applications	11
	6.1 Application information	11
7	Revision history	16

Obsolete Product(s) - Obsolete Product(s)
Obsolete Product(s) - Obsolete Product(s)

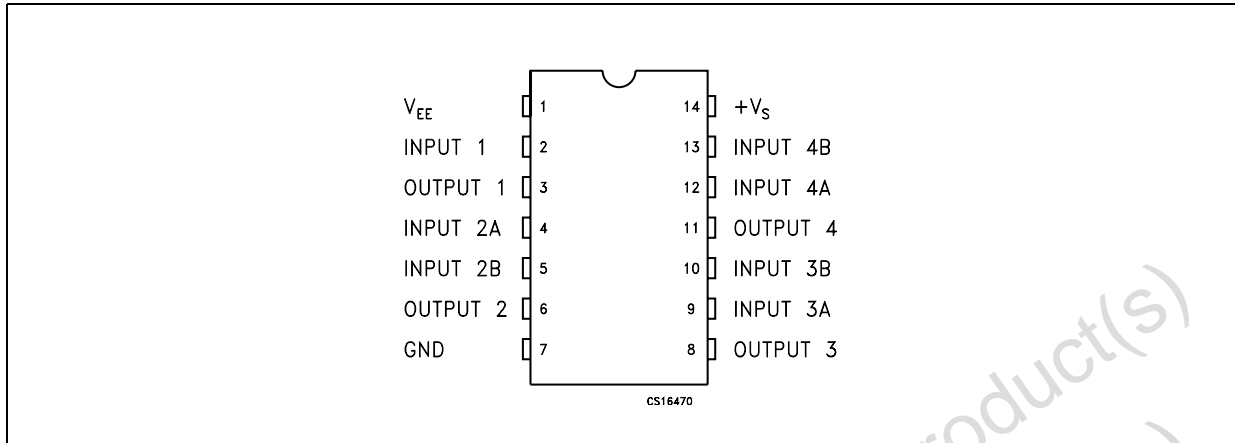
1 Diagram

Figure 1. Logic diagram



2 Pin description

Figure 2. Pin connections



3 Maximum ratings

Table 1. Absolute maximum ratings

Symbol	Parameter	Value	Unit
V_S	Power supply voltage	15	V
V_{EE}	Power supply voltage	-15	V
V_{IR}	Input voltage range	$V_{IR} = -15$ to 7	V
V_O	Output signal voltage	± 15	V
T_{amb}	Operating ambient temperature	0 to 75	°C
T_{stg}	Storage temperature range	-65 to 150	°C

Note: Absolute Maximum Ratings are those values beyond which damage to the device may occur. Functional operation under these condition is not implied.

Table 2. Thermal data

Symbol	Parameter	Plastic DIP14	SO14	Unit
R_{thJA}	Thermal resistance junction-ambient Max	200	165	°C/W

4 Electrical characteristics

Table 3. Electrical characteristics ($V_S = 9V \pm 10\%$, $V_{EE} = -9V \pm 10\%$, $T_{amb} = 0$ to $75^\circ C$, unless otherwise specified)

Symbol	Parameter	Test Conditions	Min.	Typ.	Max.	Unit
I_{IL}	Input Current Figure 3	Low Logic State $V_{IL} = 0 V$		1	1.6	mA
I_{IH}	Input Current Figure 3	High Logic State $V_{IH} = 5 V$			10	μA
V_{OH}	Output Voltage Figure 4	High Logic State $R_L = 3K, \Omega$ $V_{IL} = 0.8 V$	$V_S = 9V, V_{EE} = -9V$	6	7	V
			$V_S = 13V, V_{EE} = -13V$	9	10.5	
V_{OL}	Output Voltage Figure 4	Low Logic State $V_{IH} = 1.9 V$	$V_S = -9V, V_{EE} = 9V$	-6	-7	V
			$V_{EE} = -13.2V,$ $V_S = 13.2V$	-9	-10.5	
$I_{OS}^{+(1)}$	Positive Output Short-Circuit Current Figure 5		6	10	12	mA
$I_{OS}^{-(1)}$	Negative Output Short-Circuit Current Figure 5		-6	-10	-12	mA
R_O	Output Resistance Figure 6	$V_S = V_{EE} = 0, V_{OL} = \pm 2V$	300			Ω
I_S	Positive Supply Current ($R_L = \infty$) Figure 7	$V_{IH} = 1.9 V, V_S = 9 V$		15	20	mA
		$V_{IL} = 0.8 V, V_S = 9 V$		4.5	6	
		$V_{IH} = 1.9 V, V_S = 12 V$		19	25	
		$V_{IL} = 0.8 V, V_S = 12 V$		5.5	7	
		$V_{IH} = 1.9 V, V_S = 15 V$			34	
		$V_{IL} = 0.8 V, V_S = 15 V$			12	
I_{EE}	Negative Supply Current ($R_L = \infty$) Figure 7	$V_{IH} = 1.9 V, V_S = -9 V$		-13	-17	mA
		$V_{IL} = 0.8 V, V_S = -9 V$			-15	μA
		$V_{IH} = 1.9 V, V_S = -12 V$		-18	-23	mA
		$V_{IL} = 0.8 V, V_S = -12 V$			-15	μA
		$V_{IH} = 1.9 V, V_S = -15 V$			-34	mA
		$V_{IL} = 0.8 V, V_S = -15 V$			-2.5	
P_C	Power Consumption	$V_S = 9 V, V_{EE} = -9 V$			333	mW
		$V_S = 12 V, V_{EE} = -12 V$			567	

1. Maximum package power dissipation may be exceeded if all outputs are shorted simultaneously.

Table 4. Switching characteristics ($V_S = 9 \pm 1V$, $V_{EE} = -9 \pm 1V$, $T_{amb} = 25^\circ C$)

Symbol	Parameter	Test Conditions	Min.	Typ.	Max.	Unit
t_{PHL}	Propagation Delay Time <i>Figure 8</i>	$Z_I = 3\text{ K}\Omega$ and 15 pF		275	350	ns
t_{THL}	Fall Time <i>Figure 7</i>	$Z_I = 3\text{ K}\Omega$ and 15 pF		45	75	ns
t_{PHL}	Propagation Delay Time <i>Figure 8</i>	$Z_I = 3\text{ K}\Omega$ and 15 pF		110	175	ns
t_{THL}	Fall Time <i>Figure 8</i>	$Z_I = 3\text{ K}\Omega$ and 15 pF		55	100	ns

Obsolete Product(s) - Obsolete Product(s)

Obsolete Product(s) - Obsolete Product(s)

5 Test circuit

Figure 3. Input current

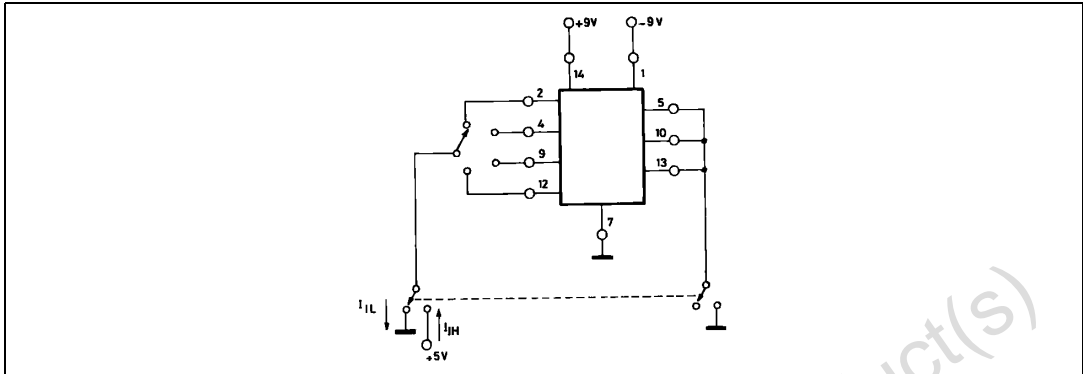


Figure 4. Output voltage

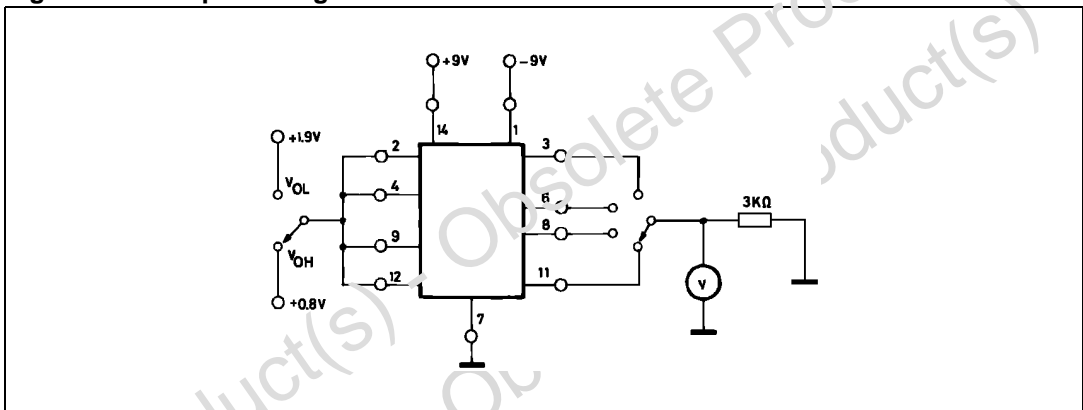


Figure 5. Output short-circuit current

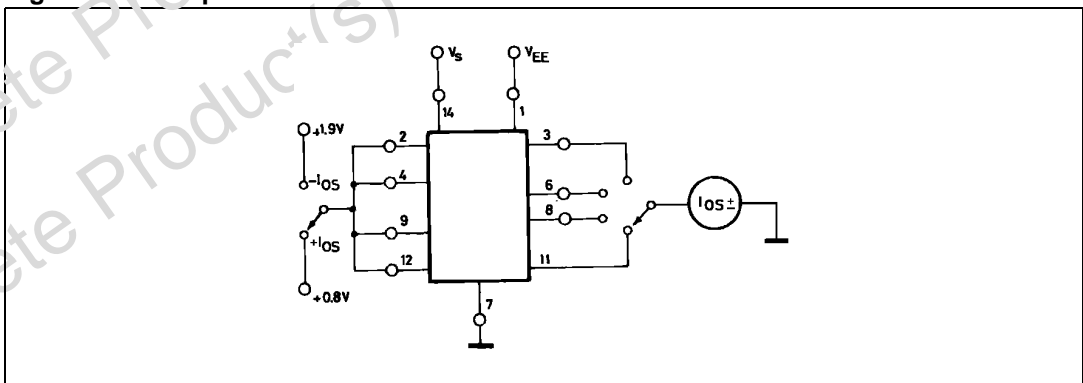


Figure 6. Output resistance (power off)

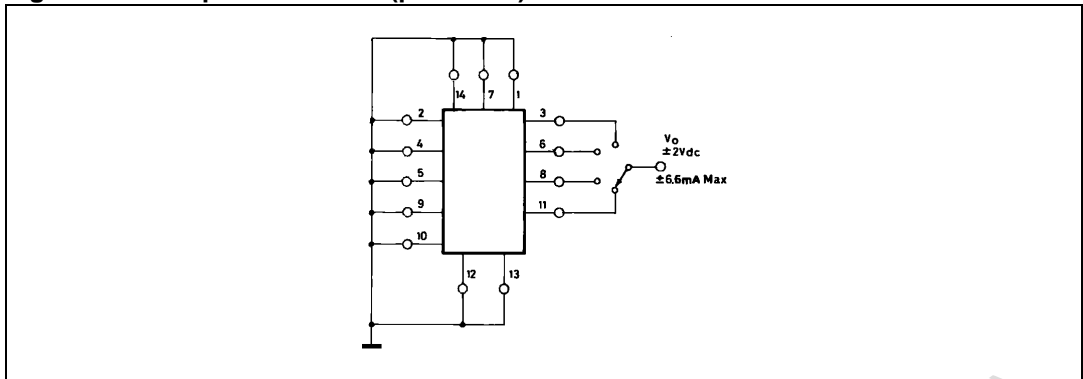


Figure 7. Power supply currents

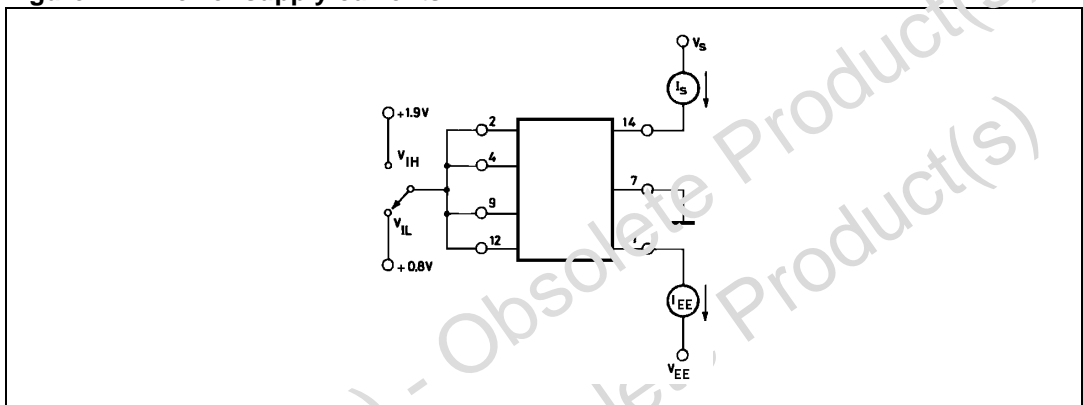


Figure 8. Switching response

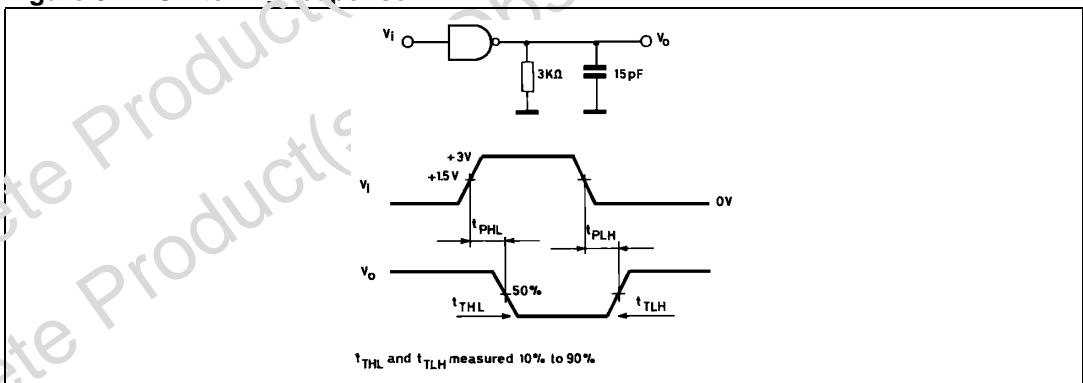


Figure 9. Transfer characteristics vs input voltage

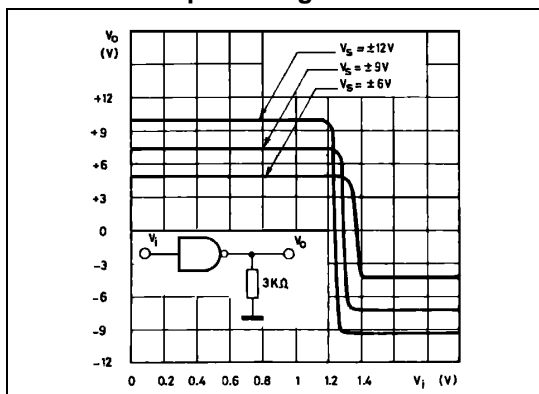


Figure 10. Short-circuit output current vs temperature

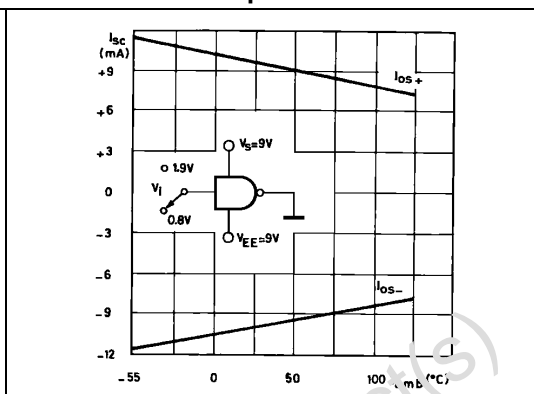


Figure 11. Output slew-rate load capacitance

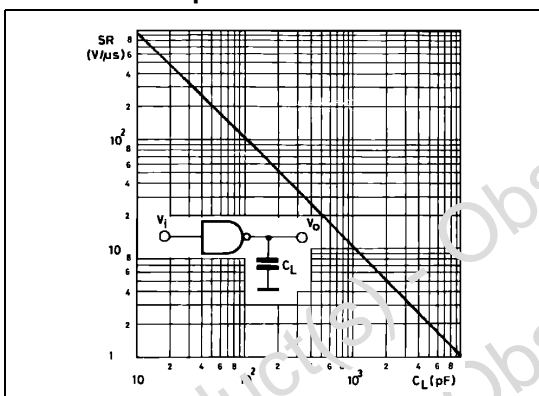


Figure 12. Output voltage and current limiting characteristics

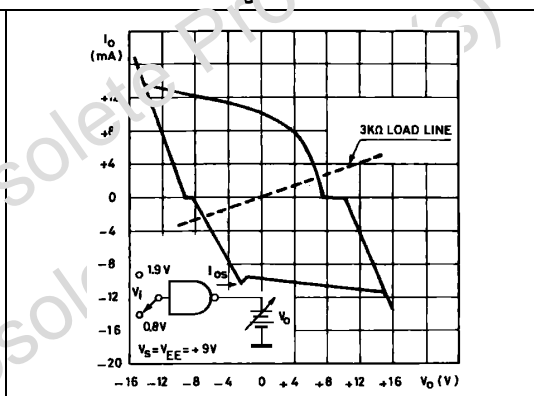
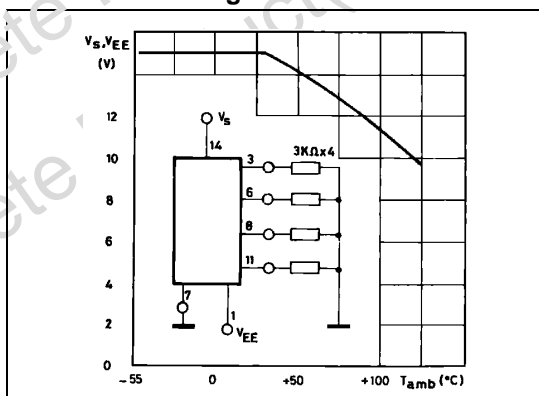
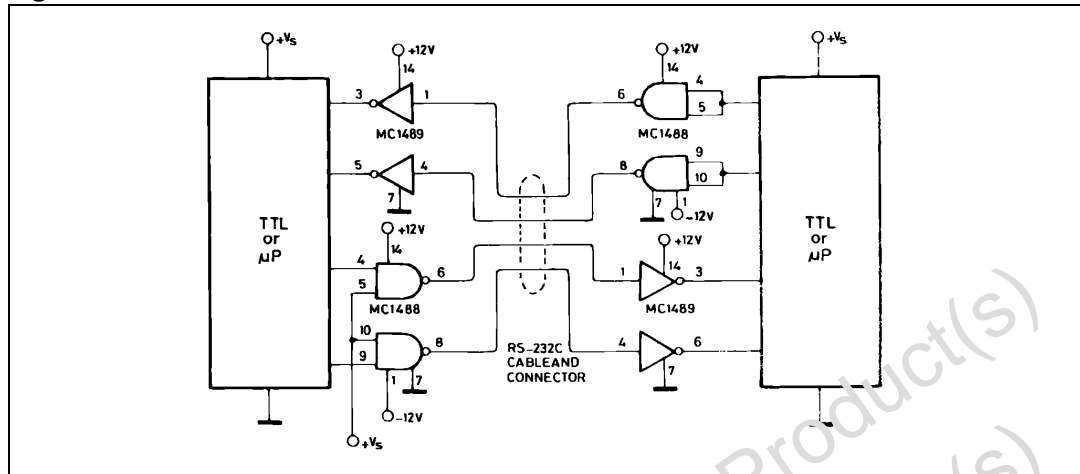


Figure 13. Maximum operating temperature vs power supply voltage



6 Typical applications

Figure 14. RS232C Data transmission



6.1 Application information

The Electronic Industries Association (EIA) has released the RS232C specification detailing the requirements for the interface between data processing equipment. This standard specifies not only the number and type of interface leads, but also the voltage levels to be used. The MC1488 quad driver and its companion circuit, the MC1489 quad receiver, provide a complete interface system between DTL or TTL logic levels and the RS232C defined levels. The RS232C requirements as applied to drivers are discussed herein.

The required driver voltages are defined as between 5 and 15V in magnitude and are positive for a logic "0" and negative for a logic "1". These voltages are so defined when the drivers are terminated with a 3000 to 7000Ω resistor. The MC1488 meets this voltage requirement by converting a DTL/TTL logic level into RS232C levels with one stage of inversion.

The RS232C specification further requires that during transitions, the driver output slew rate must not exceed 30V per μs. The inherent slew rate of the MC1488 is much too fast for this requirement. The current limited output of the device can be used to control this slew rate by connecting a capacitor to each driver output. The required capacitor can be easily determined by using the relationship $C = I_{OS} \times \Delta T / \Delta V$ from which Figure 15. is derived.

Accordingly, a 330 pF capacitor on each output will guarantee a worst case slew rate of 30V per μs.

The interface driver is also required to withstand an accidental short to any other conductor in an interconnecting cable. The worst possible signal on any conductor would be another driver using a plus or minus 15V, 500 mA source. The MC1488 is designed to indefinitely withstand such a short to all four outputs in a package as long as the power-supply voltages are greater than 9.0V (i.e., $V_S \geq 9.0V$; $V_{EE} \leq 9.0V$). In some power-supply designs, a loss of system power causes a low impedance on the power-supply outputs. When this occurs, a low impedance to ground would exist at the power inputs to the MC1488 effectively shorting the 300W output resistor to ground. If all four outputs were then shorted to plus or minus 15V, the power dissipation in these resistors would be excessive. Therefore, if the system is designed to permit low impedances to ground at the power-supplies of the drivers, a diode should be placed in each power-supply lead to prevent over-heating in this fault condition.

These two diodes, as shown in Figure 13, could be used to decoupled all the driver packages in a system. (These same diodes will allow the MC1488 to withstand momentary shorts to the $\pm 15V$ limits specified in the earlier Standard RS232B). The addition of the diodes also permits the MC1488 to withstand faults with power-supplies of less than the 9.0V stated above.

The maximum short-circuit current allowable under fault conditions is more than guaranteed by the previously mentioned 10 mA output current limiting.

The MC1488 is an extremely versatile line driver with a mired of possible applications. Several features of the drivers enhance this versatility:

1. Output Current Limiting - this enables the circuit designer to define the output voltage levels independent of power-supplies and can be accomplished by diode clamping of the output pins.
2. Power-Supply Range - as can be seen from the schematic drawing of the drivers, the positive and negative driving elements of the device are essentially independent and do not require matching power-supplies. In fact, the positive supply can vary from a minimum seven volts (required for driving the negative pulldown section) to the maximum specified 15V. The negative supply can vary from approximately -2.5V to the minimum specified -15V. The MC1488 will drive the output to within 2V of the positive or negative supplies as long as the current output limits are not exceeded. The combination of the current-limiting and supply-voltage features allow a wide combination of possible outputs within the same quad package.

Figure 15. Slew-rate load vs capacitance for $I_{SC} = 10mA$

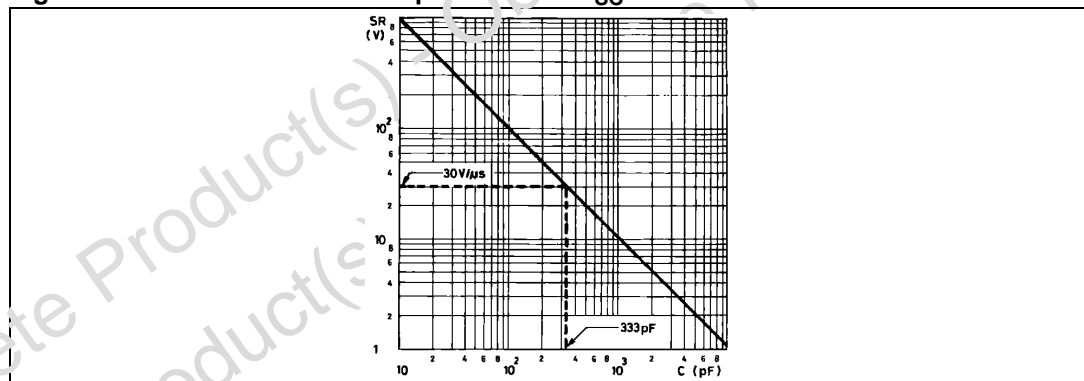
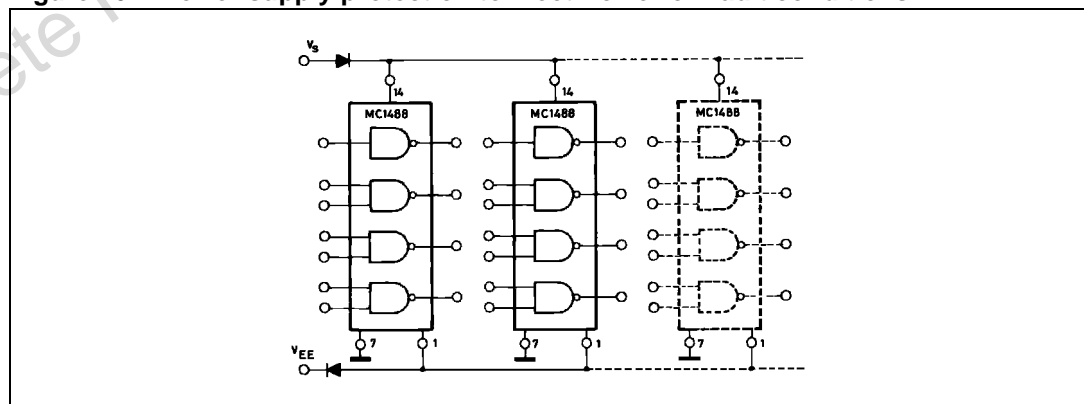
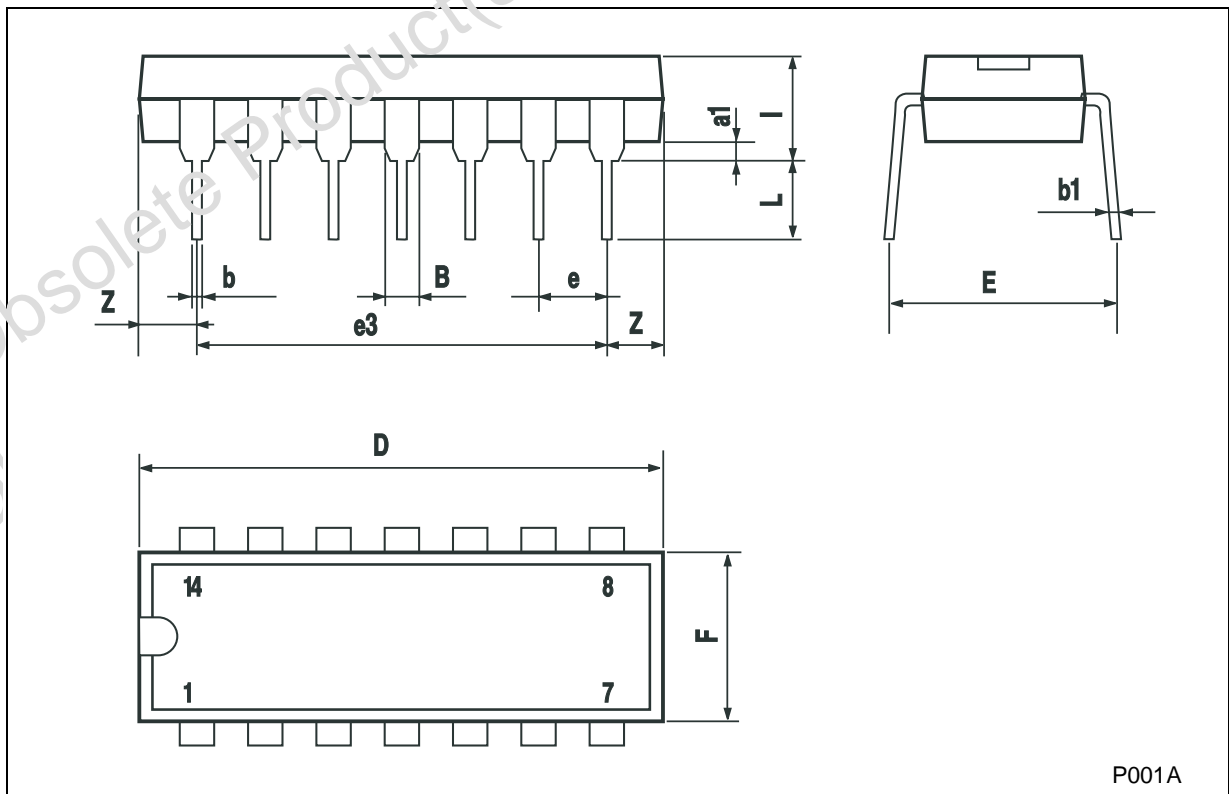


Figure 16. Power supply protection to meet Power-off fault conditions



Plastic DIP-14 MECHANICAL DATA

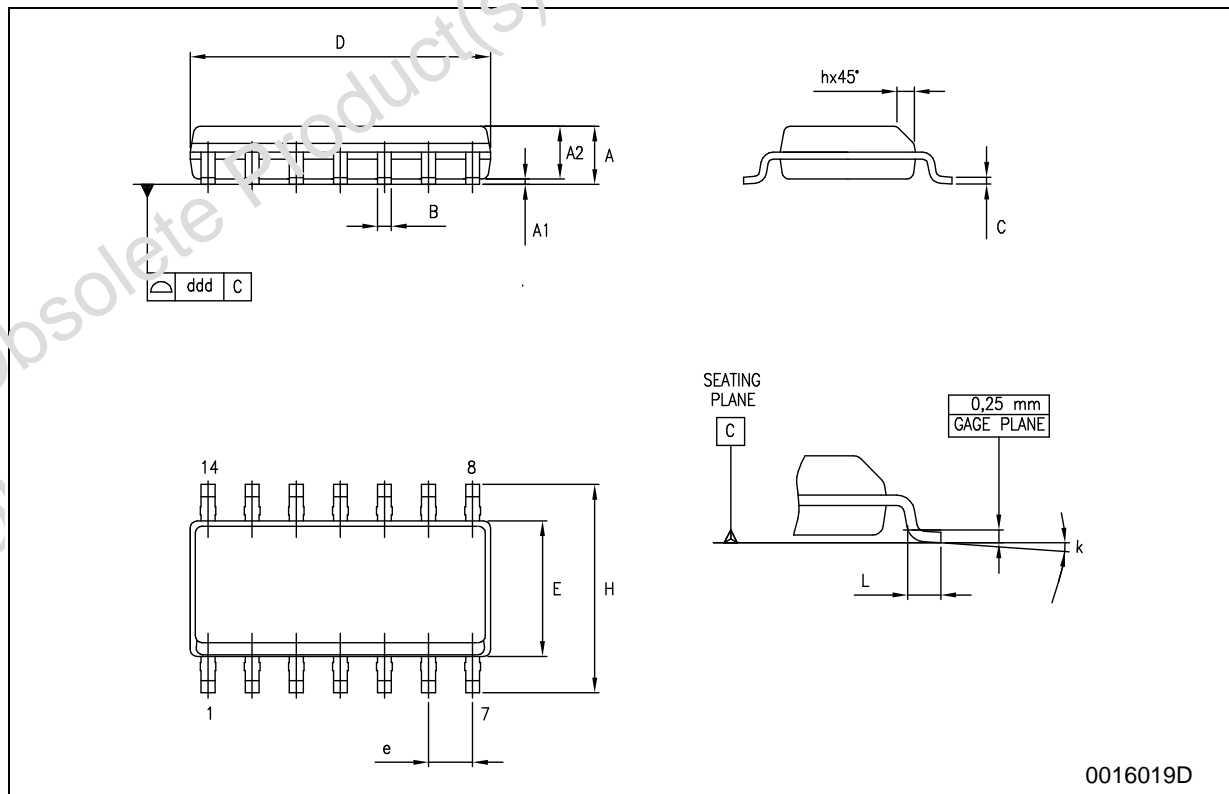
DIM.	mm.			inch		
	MIN.	TYP	MAX.	MIN.	TYP.	MAX.
a1	0.51			0.020		
B	1.39		1.65	0.055		0.065
b		0.5			0.020	
b1		0.25			0.010	
D			20			0.787
E		8.5			0.335	
e		2.54			0.100	
e3		15.24			0.600	
F			7.1			0.280
I			5.1			0.201
L		3.3			0.130	
Z	1.27		2.54	0.050		0.100



P001A

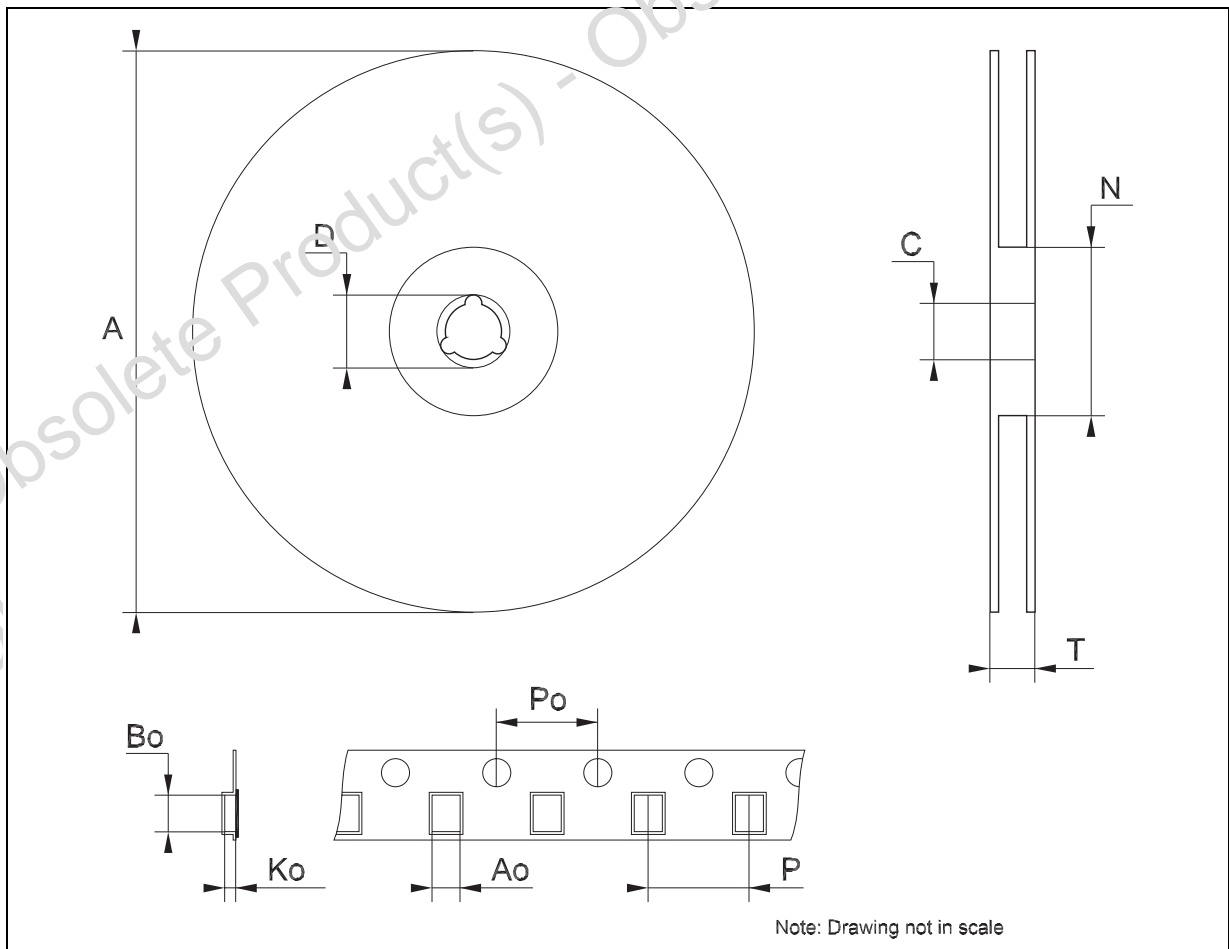
SO-14 MECHANICAL DATA

DIM.	mm.			inch		
	MIN.	TYP	MAX.	MIN.	TYP.	MAX.
A	1.35		1.75	0.053		0.069
A1	0.1		0.25	0.004		0.010
A2	1.10		1.65	0.043		0.065
B	0.33		0.51	0.013		0.020
C	0.19		0.25	0.007		0.010
D	8.55		8.75	0.337		0.344
E	3.8		4.0	0.150		0.157
e		1.27			0.050	
H	5.8		6.2	0.228		0.244
h	0.25		0.50	0.010		0.020
L	0.4		1.27	0.016		0.050
k	0°		8°	0°		8°
ddd			0.100			0.004



Tape & Reel SO-14 MECHANICAL DATA

DIM.	mm.			inch		
	MIN.	TYP	MAX.	MIN.	TYP.	MAX.
A			330			12.992
C	12.8		13.2	0.504		0.519
D	20.2			0.795		
N	60			2.362		
T			22.4			0.882
Ao	6.4		6.6	0.252		0.260
Bo	9		9.2	0.354		0.362
Ko	2.1		2.3	0.082		0.090
Po	3.9		4.1	0.153		0.161
P	7.9		8.1	0.311		0.319



7 Revision history

Table 5. Revision history

Date	Revision	Changes
17-Mar-2006	4	Order codes has been updated and new template.

Obsolete Product(s) - Obsolete Product(s)
Obsolete Product(s) - Obsolete Product(s)

Please Read Carefully:

Information in this document is provided solely in connection with ST products. STMicroelectronics NV and its subsidiaries ("ST") reserve the right to make changes, corrections, modifications or improvements, to this document, and the products and services described herein at any time, without notice.

All ST products are sold pursuant to ST's terms and conditions of sale.

Purchasers are solely responsible for the choice, selection and use of the ST products and services described herein, and ST assumes no liability whatsoever relating to the choice, selection or use of the ST products and services described herein.

No license, express or implied, by estoppel or otherwise, to any intellectual property rights is granted under this document. If any part of this document refers to any third party products or services it shall not be deemed a license grant by ST for the use of such third party products or services, or any intellectual property contained therein or considered as a warranty covering the use in any manner whatsoever of such third party products or services or any intellectual property contained therein.

UNLESS OTHERWISE SET FORTH IN ST'S TERMS AND CONDITIONS OF SALE ST DISCLAIMS ANY EXPRESS OR IMPLIED WARRANTY WITH RESPECT TO THE USE AND/OR SALE OF ST PRODUCTS INCLUDING WITHOUT LIMITATION IMPLIED WARRANTIES OF MERCHANTABILITY, FITNESS FOR A PARTICULAR PURPOSE (AND THEIR EQUIVALENTS UNDER THE LAWS OF ANY JURISDICTION), OR INFRINGEMENT OF ANY PATENT, COPYRIGHT OR OTHER INTELLECTUAL PROPERTY RIGHT.

UNLESS EXPRESSLY APPROVED IN WRITING BY AN AUTHORIZED REPRESENTATIVE OF ST, ST PRODUCTS ARE NOT DESIGNED, AUTHORIZED OR WARRANTED FOR USE IN MILITARY, AIR CRAFT, SPACE, LIFE SAVING, OR LIFE SUSTAINING APPLICATIONS, NOR IN PRODUCTS OR SYSTEMS, WHERE FAILURE OR MALFUNCTION MAY RESULT IN PERSONAL INJURY, DEATH, OR SEVERE PROPERTY OR ENVIRONMENTAL DAMAGE.

Resale of ST products with provisions different from the statements and/or technical features set forth in this document shall immediately void any warranty granted by ST for the ST product or service described herein and shall not create or extend in any manner whatsoever, any liability of ST.

ST and the ST logo are trademarks or registered trademarks of ST in various countries.

Information in this document supersedes and replaces all information previously supplied.

The ST logo is a registered trademark of STMicroelectronics. All other names are the property of their respective owners.

© 2006 STMicroelectronics - All rights reserved

STMicroelectronics group of companies



Australia - Belgium - Brazil - Canada - China - Czech Republic - Finland - France - Germany - Hong Kong - India - Israel - Italy - Japan - Malaysia - Malta - Morocco - Singapore - Spain - Sweden - Switzerland - United Kingdom - United States of America

www.st.com



Looking for pricing, stock, or lifecycle information?

Click below to explore more details on WIN SOURCE:

-  [View MC1488D1013TR](#) on WIN SOURCE
-  [STMicroelectronics](#) Information

Optimize Your Supply Chain with WIN SOURCE Solutions

-  Global Sourcing Solution
-  Obsolete Management
-  Cost Control Management
-  Shortage Management
-  Alternative Solution
-  Excess Inventory Management