



**THE DATASHEET OF
MC100ES6254FA**



2.5/3.3V Differential LVPECL 2x2 Clock Switch and Fanout Buffer

The Motorola MC100ES6254 is a bipolar monolithic differential 2x2 clock switch and fanout buffer. Designed for most demanding clock distribution systems, the MC100ES6254 supports various applications that require to drive precisely aligned clock signals. The device is capable of driving and switching differential LVPECL signals. Using SiGe technology and a fully differential architecture, the device offers superior digital signal characteristics and very low clock skew error. Target applications for this clock driver are high performance clock/data switching, clock distribution or data loopback in computing, networking and telecommunication systems.

Features:

- Fully differential architecture from input to all outputs
- SiGe technology supports near-zero output skew
- Supports DC to 3GHz operation¹ of clock or data signals
- LVPECL compatible differential clock inputs and outputs
- LVC MOS compatible control inputs
- Single 3.3 V or 2.5 V supply
- 50 ps maximum device skew¹
- Synchronous output enable eliminating output runt pulse generation and metastability
- Standard 32 lead LQFP package
- Industrial temperature range

Functional Description

MC100ES6254 is designed for very skew critical differential clock distribution systems and supports clock frequencies from DC up to 3.0 GHz. Typical applications for the MC100ES6254 are primary clock distribution, switching and loopback systems of high-performance computer, networking and telecommunication systems, as well as on-board clocking of OC-3, OC-12 and OC-48 speed communication systems. Primary purpose of the MC100ES6254 is high-speed clock switching applications. In addition, the MC100ES6254 can be configured as single 1:6 or dual 1:3 LVPECL fanout buffer for clock signals, or as loopback device in high-speed data applications.

The MC100ES6254 can be operated from a 3.3 V or 2.5 V positive supply without the requirement of a negative supply line.

MC100ES6254

**2.5/3.3 V DIFFERENTIAL
LVPECL 2x2
CLOCK SWITCH
AND FANOUT BUFFER**



FA SUFFIX
32-LEAD LQFP PACKAGE
CASE 873A

¹ The device is functional up to 3 GHz and characterized up to 2.7 GHz.

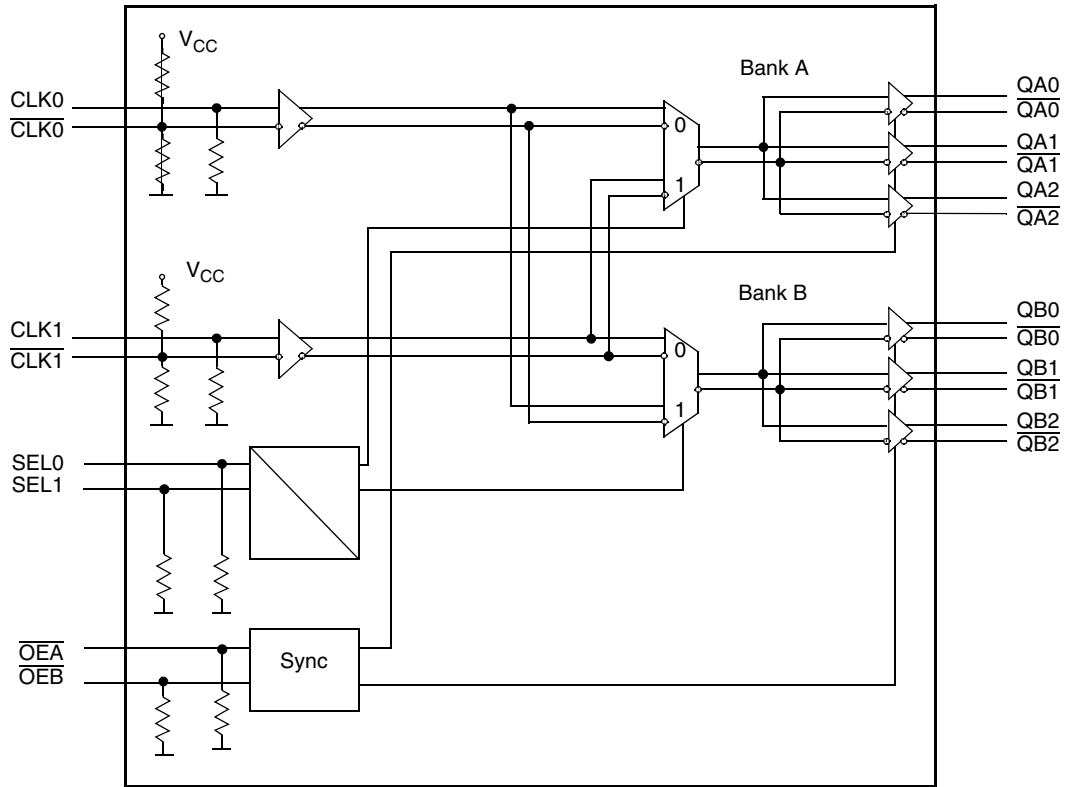


Figure 1. MC100ES6254 Logic Diagram

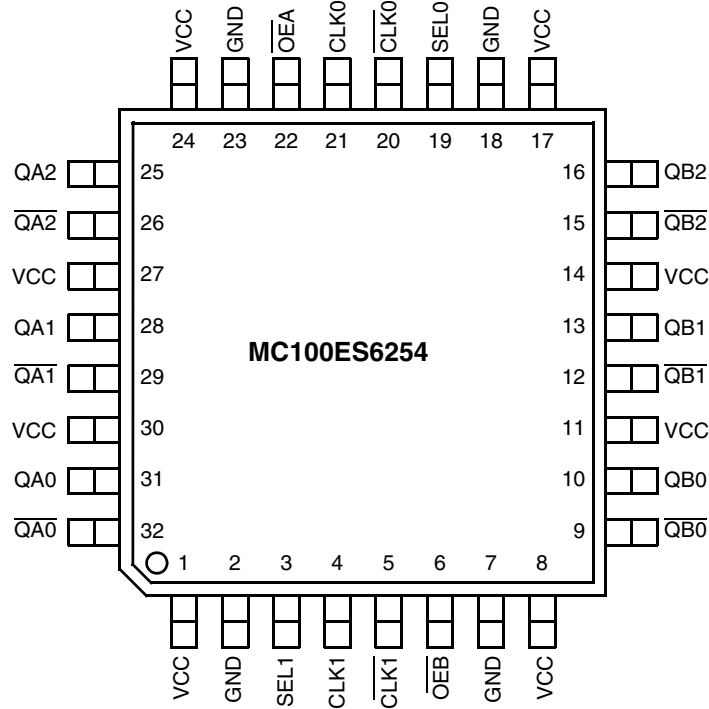


Figure 2. 32-Lead Package Pinout (Top View)

Table 1. PIN CONFIGURATION

Pin	I/O	Type	Function
CLK0, $\overline{\text{CLK0}}$	Input	LVPECL	Differential reference clock signal input 0
CLK1, $\overline{\text{CLK1}}$	Input	LVPECL	Differential reference clock signal input 1
OEA, $\overline{\text{OEB}}$	Input	LVC MOS	Output enable
SEL0, SEL1	Input	LVC MOS	Clock switch select
QA[0-2], $\overline{\text{QA}}[0-2]$ QB[0-2], $\overline{\text{QB}}[0-2]$	Output	LVPECL	Differential clock outputs (banks A and B)
GND	Supply	GND	Negative power supply
V _{CC}	Supply	VCC	Positive power supply. All V _{CC} pins must be connected to the positive power supply for correct DC and AC operation

Table 2. FUNCTION TABLE

Control	Default	0	1
OEA	0	QA[0-2], $\overline{\text{QA}}[0-2]$ are active. Deassertion of $\overline{\text{OE}}$ can be asynchronous to the reference clock without generation of output runt pulses	QA[0-2] = L, $\overline{\text{QA}}[0-2]$ = H (outputs disabled). Assertion of $\overline{\text{OE}}$ can be asynchronous to the reference clock without generation of output runt pulses
$\overline{\text{OEB}}$	0	QA[0-2], $\overline{\text{QA}}[0-2]$ are active. Deassertion of $\overline{\text{OE}}$ can be asynchronous to the reference clock without generation of output runt pulses	QA[0-2] = L, $\overline{\text{QA}}[0-2]$ = H (outputs disabled). Assertion of $\overline{\text{OE}}$ can be asynchronous to the reference clock without generation of output runt pulses
SEL0, SEL1	00	Refer to Table 3	

Table 3. CLOCK SELECT CONTROL

SEL0	SEL1	CLK0 routed to	CLK1 routed to	Application Mode
0	0	QA[0:2] and QB[0:2]	---	1:6 fanout of CLK0
0	1	---	QA[0:2] and QB[0:2]	1:6 fanout of CLK1
1	0	QA[0:2]	QB[0:2]	Dual 1:3 buffer
1	1	QB[0:2]	QA[0:2]	Dual 1:3 buffer (crossed)

Table 4. ABSOLUTE MAXIMUM RATINGS^a

Symbol	Characteristics	Min	Max	Unit	Condition
V _{CC}	Supply Voltage	-0.3	3.6	V	
V _{IN}	DC Input Voltage	-0.3	V _{CC} +0.3	V	
V _{OUT}	DC Output Voltage	-0.3	V _{CC} +0.3	V	
I _{IN}	DC Input Current		±20	mA	
I _{OUT}	DC Output Current		±50	mA	
T _S	Storage temperature	-65	125	°C	

a. Absolute maximum continuous ratings are those maximum values beyond which damage to the device may occur. Exposure to these conditions or conditions beyond those indicated may adversely affect device reliability. Functional operation at absolute-maximum-rated conditions is not implied.

Table 5. GENERAL SPECIFICATIONS

Symbol	Characteristics	Min	Typ	Max	Unit	Condition
V_{TT}	Output termination voltage		$V_{CC} - 2^a$		V	
MM	ESD Protection (Machine model)	200			V	
HBM	ESD Protection (Human body model)	2000			V	
CDM	ESD Protection (Charged device model)	1500			V	
LU	Latch-up immunity	200			mA	
C_{IN}			4.0		pF	Inputs
θ_{JA}	Thermal resistance junction to ambient JESD 51-3, single layer test board		83.1 73.3 68.9 63.8 57.4	86.0 75.4 70.9 65.3 59.6	$^{\circ}\text{C}/\text{W}$	Natural convection 100 ft/min 200 ft/min 400 ft/min 800 ft/min
	JESD 51-6, 2S2P multilayer test board		59.0 54.4 52.5 50.4 47.8	60.6 55.7 53.8 51.5 48.8	$^{\circ}\text{C}/\text{W}$	Natural convection 100 ft/min 200 ft/min 400 ft/min 800 ft/min
θ_{JC}	Thermal resistance junction to case		23.0	26.3	$^{\circ}\text{C}/\text{W}$	MIL-SPEC 883E Method 1012.1
	Operating junction temperature ^b (continuous operation) MTBF = 9.1 years			110	$^{\circ}\text{C}$	
T_{Func}	Functional temperature range	$T_A = -40$		$T_J = +110$	$^{\circ}\text{C}$	

- Output termination voltage $V_{TT}=0$ V for $V_{CC}=2.5$ V operation is supported but the power consumption of the device will increase.
- Operating junction temperature impacts device life time. Maximum continuous operating junction temperature should be selected according to the application life time requirements (See application note AN1545 and the application section in this data sheet for more information). The device AC and DC parameters are specified up to 110°C junction temperature allowing the MC100ES6254 to be used in applications requiring industrial temperature range. It is recommended that users of the MC100ES6254 employ thermal modeling analysis to assist in applying the junction temperature specifications to their particular application.

Table 6. DC CHARACTERISTICS ($V_{CC} = 3.3 \text{ V} \pm 5\%$ or $2.5 \text{ V} \pm 5\%$, $T_J = 0^{\circ}$ to $+110^{\circ}\text{C}$)

Symbol	Characteristics	Min	Typ	Max	Unit	Condition
LVCMOS control inputs ($\overline{\text{OE}}A$, $\overline{\text{OE}}B$, SEL0, SEL1)						
V_{IL}	Input voltage low			0.8	V	
V_{IH}	Input voltage high	2.0			V	
I_{IN}	Input Current			± 100	μA	$V_{IN}=V_{CC}$ or $V_{IN}=\text{GND}$
LVPECL clock inputs (CLK0, $\overline{\text{CLK}}0$, CLK1, $\overline{\text{CLK}}1$)						
V_{PP}	AC differential input voltage ^b	0.1		1.3	V	Differential operation
V_{CMR}	Differential cross point voltage ^c	1.0		$V_{CC}-0.3$	V	Differential operation
LVPECL clock outputs (QA0-2, $\overline{\text{QA}}0-2$, QB0-2, $\overline{\text{QB}}0-2$)						
V_{OH}	Output High Voltage	$V_{CC}-1.2$	$V_{CC}-1.005$	$V_{CC}-0.7$	V	$I_{OH} = -30 \text{ mA}^d$
V_{OL}	Output Low Voltage	$V_{CC}-1.9$	$V_{CC}-1.705$	$V_{CC}-1.5$	V	$I_{OL} = -5 \text{ mA}^e$
		$V_{CC}=3.3 \text{ V} \pm 5\%$ $V_{CC}=2.5 \text{ V} \pm 5\%$	$V_{CC}-1.9$ $V_{CC}-1.705$	$V_{CC}-1.5$ $V_{CC}-1.3$		
I_{GND}	Maximum Quiescent Supply Current without output termination current		52	85	mA	GND pin

- Input have internal pullup/pulldown resistors that affect the input current.
- V_{PP} is the minimum differential input voltage swing required to maintain AC characteristic.
- V_{CMR} (DC) is the crosspoint of the differential input signal. Functional operation is obtained when the crosspoint is within the V_{CMR} (DC) range and the input swing lies within the V_{PP} (DC) specification.
- Equivalent to a termination 50Ω to V_{TT} .
- I_{CC} calculation: $I_{CC} = (\text{number of differential output pairs used}) * (I_{OH} + I_{OL}) + I_{GND}$
 $I_{CC} = (\text{number of differential output pairs used}) * (V_{OH}-V_{TT}) \div R_{load} + (V_{OL}-V_{TT}) \div R_{load} + I_{GND}$

Table 7. AC CHARACTERISTICS ($V_{CC} = 3.3\text{ V} \pm 5\%$ or $2.5\text{ V} \pm 5\%$, $T_J = 0^\circ$ to $+110^\circ\text{C}$)^a

Symbol	Characteristics	Min	Typ	Max	Unit	Condition
V_{PP}	Differential input voltage (peak-to-peak)	0.3		1.3	V	
V_{CMR}	Differential input crosspoint voltage ^c	1.2		$V_{CC}-0.3$	V	
$V_{O(P-P)}$	Differential output voltage (peak-to-peak)	$f_O < 1.1\text{ GHz}$	0.45	0.7	V	
		$f_O < 2.5\text{ GHz}$	0.35	0.35	V	
		$f_O < 3.0\text{ GHz}$	0.20		V	
f_{CLK}	Input Frequency	0		3000 ^d	MHz	
t_{PD}	Propagation delay CLK, 1 to QA[] or QB[]	360	485	610	ps	Differential
$t_{sk(O)}$	Output-to-output skew			50	ps	Differential
$t_{sk(PP)}$	Output-to-output skew(part-to-part)			250	ps	Differential
$t_{SK(P)}$	Output pulse skew ^e			60	ps	
DC_O	Output duty cycle	$t_{REF} < 100\text{ MHz}$	49.4	50.6	%	$DC_{ref} = 50\%$
		$t_{REF} < 800\text{ MHz}$	45.2	54.8	%	$DC_{ref} = 50\%$
$t_{JIT(CC)}$	Output cycle-to-cycle jitter	RMS (1σ)		1	ps	$SEL0 \neq SEL1$
t_r, t_f	Output Rise/Fall Time		0.05	300	ps	20% to 80%
t_{PDLf}	Output disable time		$2.5 \cdot T + t_{PD}$	$3.5 \cdot T + t_{PD}$	ns	$T = \text{CLK period}$
t_{PLDg}	Output enable time		$3 \cdot T + t_{PD}$	$4 \cdot T + t_{PD}$	ns	$T = \text{CLK period}$

- a. AC characteristics apply for parallel output termination of $50\ \Omega$ to V_{TT} .
- b. V_{PP} is the minimum differential input voltage swing required to maintain AC characteristics including t_{pd} and device-to-device skew.
- c. V_{CMR} (AC) is the crosspoint of the differential input signal. Normal AC operation is obtained when the crosspoint is within the V_{CMR} (AC) range and the input swing lies within the V_{PP} (AC) specification. Violation of V_{CMR} (AC) or V_{PP} (AC) impacts the device propagation delay, device and part-to-part skew.
- d. The MC100ES6254 is fully operational up to 3.0 GHz and is characterized up to 2.7 GHz.
- e. Output pulse skew is the absolute difference of the propagation delay times: $|t_{PLH} - t_{PHL}|$.
- f. Propagation delay \overline{OE} deassertion to differential output disabled (differential low: true output low, complementary output high).
- g. Propagation delay \overline{OE} assertion to output enabled (active).

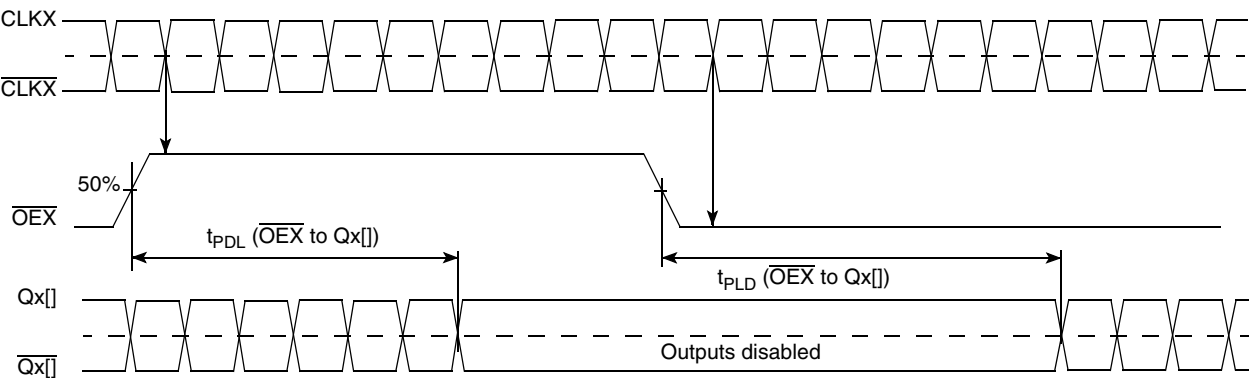


Figure 3. MC100ES6254 output disable/enable timing

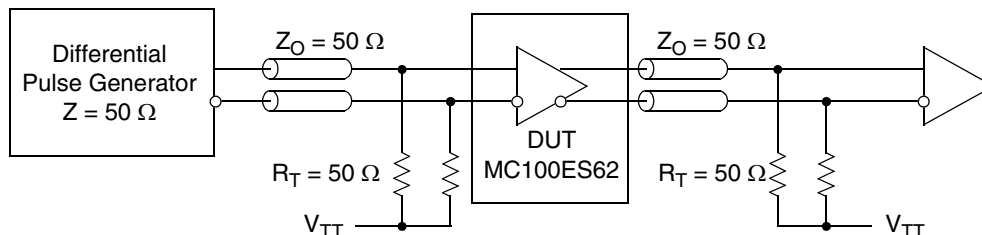
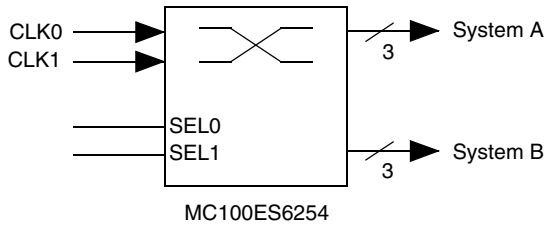


Figure 4. MC100ES6254 AC test reference

APPLICATIONS INFORMATION

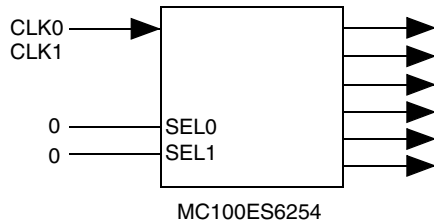
Example Configurations

2x2 clock switch

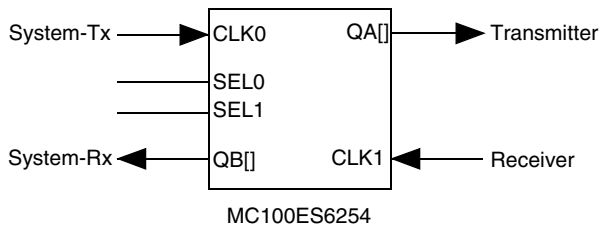


SEL0	SEL1	Switch configuration
0	0	CLK0 clocks system A and system B
0	1	CLK1 clocks system A and system B
1	0	CLK0 clocks system A and CLK1 clocks system B
1	1	CLK1 clocks system B and CLK1 clocks system A

1:6 Clock Fanout Buffer



Loopback device



SEL0	SEL1	Switch configuration
0	0	System loopback
0	1	Line loopback
1	0	Transmit / Receive operation
1	1	System and line loopback

Understanding the junction temperature range of the MC100ES6254

To make the optimum use of high clock frequency and low skew capabilities of the MC100ES6254, the MC100ES6254 is specified, characterized and tested for the junction temperature range of $T_J=0^{\circ}\text{C}$ to $+110^{\circ}\text{C}$. Because the exact thermal performance depends on the PCB type, design, thermal management and natural or forced air convection, the junction temperature provides an exact way to correlate the application specific conditions to the published performance data of this data sheet. The correlation of the junction temperature range to the application ambient temperature range and vice versa can be done by calculation:

$$T_J = T_A + R_{thja} \cdot P_{tot}$$

Assuming a thermal resistance (junction to ambient) of $54.4^{\circ}\text{C}/\text{W}$ (2s2p board, 200 ft/min airflow, refer to table 4) and a typical power consumption of 467 mW (all outputs terminated $50\ \Omega$ to V_{TT} , $V_{CC}=3.3\ \text{V}$, frequency independent), the junction temperature of the MC100ES6254 is approximately $T_A + 24.5^{\circ}\text{C}$, and the minimum ambient temperature in this example case calculates to -24.5°C (the maximum ambient temperature is 85.5°C . Refer to Table 8). Exceeding the minimum junction temperature specification of the MC100ES6254 does not have a significant impact on the device functionality. However, the continuous use the MC100ES6254 at high ambient temperatures requires thermal management to not exceed the specified maximum junction temperature. Refer to the Application Note AN1545 for a power consumption calculation guideline.

Table 8. Ambient temperature ranges ($P_{tot} = 467\ \text{mW}$)

R_{thja} (2s2p board)		$T_{A, \text{min}}^a$	$T_{A, \text{max}}$
Natural convection	$59.0^{\circ}\text{C}/\text{W}$	-28°C	82°C
100 ft/min	$54.4^{\circ}\text{C}/\text{W}$	-25°C	85°C
200 ft/min	$52.5^{\circ}\text{C}/\text{W}$	-24.5°C	85.5°C
400 ft/min	$50.4^{\circ}\text{C}/\text{W}$	-23.5°C	86.5°C
800 ft/min	$47.8^{\circ}\text{C}/\text{W}$	-22°C	88°C

a. The MC100ES6254 device function is guaranteed from $T_A=-40^{\circ}\text{C}$ to $T_J=110^{\circ}\text{C}$

Maintaining Lowest Device Skew

The MC100ES6254 guarantees low output-to-output bank skew of 50 ps and a part-to-part skew of maximum 250 ps. To ensure low skew clock signals in the application, both outputs of any differential output pair need to be terminated identically, even if only one output is used. When fewer than all nine output pairs are used, identical termination of all output pairs within the output bank is recommended. If an entire output bank is not used, it is recommended to leave all of these outputs open and unterminated. This will reduce the device power consumption while maintaining minimum output skew.

Power Supply Bypassing

The MC100ES6254 is a mixed analog/digital product. The differential architecture of the MC100ES6254 supports low noise signal operation at high frequencies. In order to maintain its superior signal quality, all V_{CC} pins should be bypassed by high-frequency ceramic capacitors connected to GND. If the spectral frequencies of the internally generated switching noise on the supply pins cross the series resonant point of an individual bypass capacitor, its overall impedance begins to look inductive and thus increases with increasing frequency. The parallel capacitor combination shown ensures that a low impedance path to ground exists for frequencies well above the noise bandwidth.

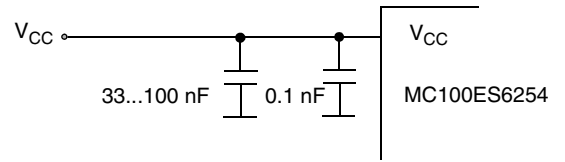
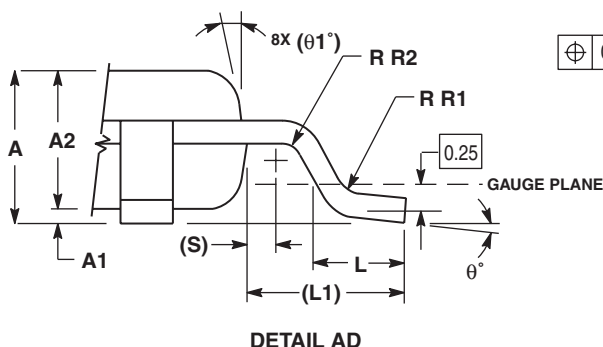
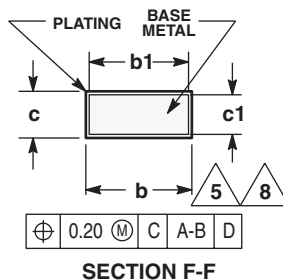
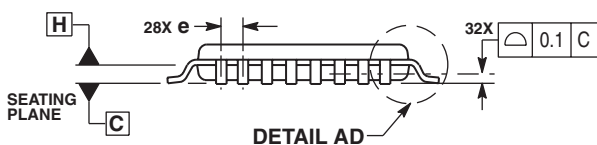
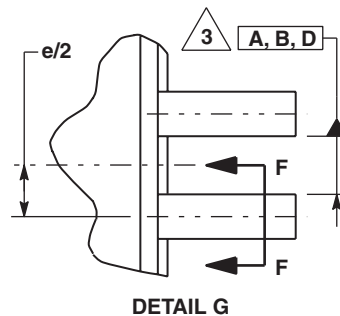
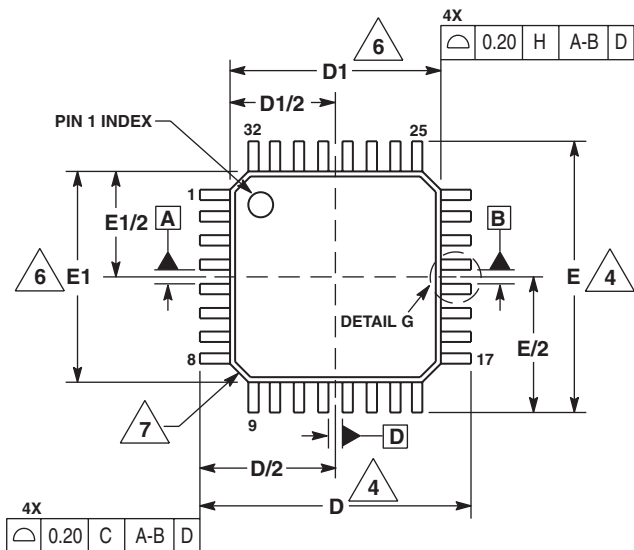


Figure 5. V_{CC} Power Supply Bypass

OUTLINE DIMENSIONS



- NOTES:
1. DIMENSIONS ARE IN MILLIMETERS.
 2. INTERPRET DIMENSIONS AND TOLERANCES PER ASME Y14.5M, 1994.
 3. DATUMS A, B, AND D TO BE DETERMINED AT DATUM PLANE H.
 4. DIMENSIONS D AND E TO BE DETERMINED AT SEATING PLANE C.
 5. DIMENSION b DOES NOT INCLUDE DAMBAR PROTRUSION. ALLOWABLE DAMBAR PROTRUSION SHALL NOT CAUSE THE LEAD WIDTH TO EXCEED THE MAXIMUM b DIMENSION BY MORE THAN 0.08-mm. DAMBAR CANNOT BE LOCATED ON THE LOWER RADIUS OR THE FOOT. MINIMUM SPACE BETWEEN PROTRUSION AND ADJACENT LEAD OR PROTRUSION: 0.07-mm.
 6. DIMENSIONS D1 AND E1 DO NOT INCLUDE MOLD PROTRUSION. ALLOWABLE PROTRUSION IS 0.25-mm PER SIDE. D1 AND E1 ARE MAXIMUM PLASTIC BODY SIZE DIMENSIONS INCLUDING MOLD MISMATCH.
 7. EXACT SHAPE OF EACH CORNER IS OPTIONAL.
 8. THESE DIMENSIONS APPLY TO THE FLAT SECTION OF THE LEAD BETWEEN 0.1-mm AND 0.25-mm FROM THE LEAD TIP.

DIM	MILLIMETERS	
	MIN	MAX
A	1.40	1.60
A1	0.05	0.15
A2	1.35	1.45
b	0.30	0.45
b1	0.30	0.40
c	0.09	0.20
c1	0.09	0.16
D	9.00 BSC	
D1	7.00 BSC	
e	0.80 BSC	
E	9.00 BSC	
E1	7.00 BSC	
L	0.50	0.70
L1	1.00 REF	
q	0°	7°
q1	12 REF	
R1	0.08	0.20
R2	0.08	---
S	0.20 REF	

FA SUFFIX
LQFP PACKAGE
CASE 873A-02
ISSUE B

Freescale Semiconductor, Inc.

NOTES

NOTES

Freescale Semiconductor, Inc.

NOTES

Information in this document is provided solely to enable system and software implementers to use Motorola products. There are no express or implied copyright licenses granted hereunder to design or fabricate any integrated circuits or integrated circuits based on the information in this document.

Motorola reserves the right to make changes without further notice to any products herein. Motorola makes no warranty, representation or guarantee regarding the suitability of its products for any particular purpose, nor does Motorola assume any liability arising out of the application or use of any product or circuit, and specifically disclaims any and all liability, including without limitation consequential or incidental damages. "Typical" parameters which may be provided in Motorola data sheets and/or specifications can and do vary in different applications and actual performance may vary over time. All operating parameters, including "Typicals" must be validated for each customer application by customer's technical experts. Motorola does not convey any license under its patent rights nor the rights of others. Motorola products are not designed, intended, or authorized for use as components in systems intended for surgical implant into the body, or other applications intended to support or sustain life, or for any other application in which the failure of the Motorola product could create a situation where personal injury or death may occur. Should Buyer purchase or use Motorola products for any such unintended or unauthorized application, Buyer shall indemnify and hold Motorola and its officers, employees, subsidiaries, affiliates, and distributors harmless against all claims, costs, damages, and expenses, and reasonable attorney fees arising out of, directly or indirectly, any claim of personal injury or death associated with such unintended or unauthorized use, even if such claim alleges that Motorola was negligent regarding the design or manufacture of the part.

MOTOROLA and the Stylized M Logo are registered in the US Patent and Trademark Office. All other product or service names are the property of their respective owners.

© Motorola, Inc. 2004

HOW TO REACH US:

USA/EUROPE/LOCATIONS NOT LISTED:
Motorola Literature Distribution
P.O. Box 5405, Denver, Colorado 80217
1-800-521-6274 or 480-768-2130

JAPAN: Motorola Japan Ltd.; SPS, Technical Information Center
3-20-1 Minami-Azabu, Minato-ku, Tokyo 106-8573, Japan
81-3-3440-3569

ASIA/PACIFIC: Motorola Semiconductors H.K. Ltd.; Silicon Harbour Centre
2 Dai King Street, Tai Po Industrial Estate, Tai Po, N.T., Hong Kong
852-26668334

HOME PAGE: <http://motorola.com/semiconductors>



MOTOROLA

**For More Information On This Product,
Go to: www.freescale.com**

MC100ES6254/D

Looking for pricing, stock, or lifecycle information?

Click below to explore more details on WIN SOURCE:

- ⊖ [View MC100ES6254FA on WIN SOURCE](#)
- ⊖ [Freescale Semiconductor - NXP Information](#)

Optimize Your Supply Chain with WIN SOURCE Solutions

- ✓ Global Sourcing Solution
- ✓ Obsolete Management
- ✓ Cost Control Management
- ✓ Shortage Management
- ✓ Alternative Solution
- ✓ Excess Inventory Management