



**THE DATASHEET OF  
MC100ES6111FA**



## Low Voltage 2.5/3.3 V Differential ECL/PECL/HSTL Fanout Buffer

The MC100ES6111 is a bipolar monolithic differential clock fanout buffer. Designed for most demanding clock distribution systems, the MC100ES6111 supports various applications that require distribution of precisely aligned differential clock signals. Using SiGe:C technology and a fully differential architecture, the device offers very low skew outputs and superior digital signal characteristics. Target applications for this clock driver is high performance clock distribution in computing, networking and telecommunication systems.

### Features

- 1:10 differential clock distribution
- 35 ps maximum device skew
- Fully differential architecture from input to all outputs
- SiGe:C technology supports near-zero output skew
- Supports DC to 2.7 GHz operation of clock or data signals
- ECL/PECL compatible differential clock outputs
- ECL/PECL/HSTL compatible differential clock inputs
- Single 3.3 V, -3.3 V, 2.5 V or -2.5 V supply
- Standard 32-lead LQFP package
- 32-lead Pb-free package available
- Industrial temperature range
- Pin and function compatible to the MC100EP111

### Functional Description

The MC100ES6111 is designed for low skew clock distribution systems and supports clock frequencies up to 2.7 GHz. The device accepts two clock sources. The CLKA input can be driven by ECL or PECL compatible signals, the CLKB input accepts HSTL compatible signals. The selected input signal is distributed to 10 identical, differential ECL/PECL outputs. If  $V_{BB}$  is connected to the CLKA input and bypassed to GND by a 10 nF capacitor, the MC100ES6111 can be driven by single-ended ECL/PECL signals utilizing the  $V_{BB}$  bias voltage output.

In order to meet the tight skew specification of the device, both outputs of a differential output pair should be terminated, even if only one output is used. In the case where not all ten outputs are used, the output pairs on the same package side as the parts being used on that side should be terminated.

The MC100ES6111 can be operated from a single 3.3 V or 2.5 V supply. As most other ECL compatible devices, the MC100ES6111 supports positive (PECL) and negative (ECL) supplies. The MC100ES6111 is pin and function compatible to the MC100EP111.

**MC100ES6111**

**LOW-VOLTAGE 1:10 DIFFERENTIAL  
ECL/PECL/HSTL  
CLOCK FANOUT DRIVER**



**FA SUFFIX  
32-LEAD LQFP PACKAGE  
CASE 873A-04**



**AC SUFFIX  
32-LEAD LQFP PACKAGE  
Pb-FREE PACKAGE  
CASE 873A-04**

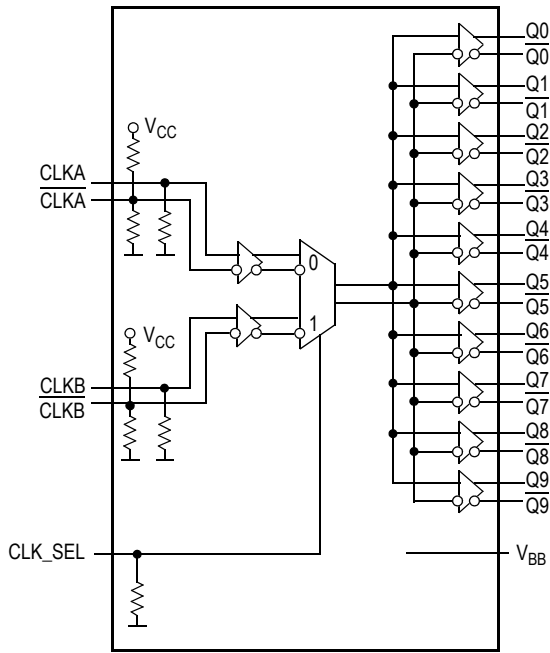


Figure 1. MC100ES6111 Logic Diagram

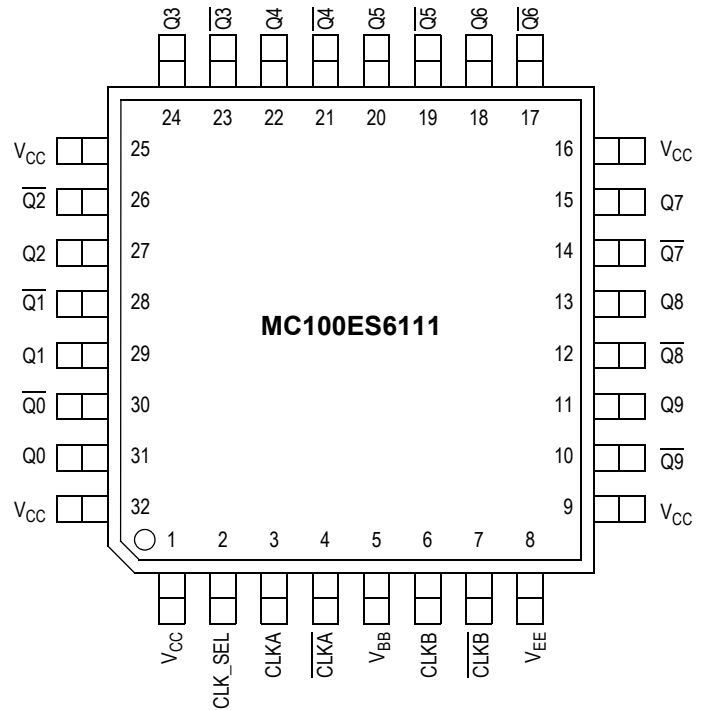


Figure 2. 32-Lead Package Pinout (Top View)

Table 1. Pin Configuration

Pin	I/O	Type	Function
CLKA, $\overline{\text{CLKA}}$	Input	ECL/PECL	Differential reference clock signal input
CLKB, $\overline{\text{CLKB}}$	Input	HSTL	Alternative differential reference clock signal input
CLK_SEL	Input	ECL/PECL	Active clock input select
Q[0–9], $\overline{\text{Q[0–9]}}$	Output	ECL/PECL	Differential clock outputs
$V_{EE}^{(1)}$	Supply		Negative power supply
$V_{CC}$	Supply		Positive power supply. All $V_{CC}$ pins must be connected to the positive power supply for correct DC and AC operation.
$V_{BB}$	Output	DC	Reference voltage output for single ended ECL or PECL operation

1. In ECL mode (negative power supply mode),  $V_{EE}$  is either  $-3.3\text{ V}$  or  $-2.5\text{ V}$  and  $V_{CC}$  is connected to GND (0 V). In PECL mode (positive power supply mode),  $V_{EE}$  is connected to GND (0 V) and  $V_{CC}$  is either  $+3.3\text{ V}$  or  $+2.5\text{ V}$ . In both modes, the input and output levels are referenced to the most positive supply ( $V_{CC}$ ).

Table 2. Function Table

Control	Default	0	1
CLK_SEL	0	CLKA, $\overline{\text{CLKA}}$ input pair is active. CLK_A can be driven by ECL or PECL compatible signals.	CLKB, $\overline{\text{CLKB}}$ input pair is active. CLK_B can be driven by HSTL compatible signals.

**Table 3. Absolute Maximum Ratings<sup>(1)</sup>**

Symbol	Characteristics	Min	Max	Unit	Condition
V <sub>CC</sub>	Supply Voltage	-0.3	3.6	V	
V <sub>IN</sub>	DC Input Voltage	-0.3	V <sub>CC</sub> + 0.3	V	
V <sub>OUT</sub>	DC Output Voltage	-0.3	V <sub>CC</sub> + 0.3	V	
I <sub>IN</sub>	DC Input Current		±20	mA	
I <sub>OUT</sub>	DC Output Current		±50	mA	
T <sub>S</sub>	Storage Temperature	-65	125	°C	
T <sub>Func</sub>	Functional Temperature Range	T <sub>A</sub> = -40	T <sub>J</sub> = +110	°C	

1. Absolute maximum continuous ratings are those maximum values beyond which damage to the device may occur. Exposure to these conditions or conditions beyond those indicated may adversely affect device reliability. Functional operation at absolute-maximum-rated conditions is not implied.

**Table 4. General Specifications**

Symbol	Characteristics	Min	Typ	Max	Unit	Condition
V <sub>TT</sub>	Output Termination Voltage		V <sub>CC</sub> - 2 <sup>(1)</sup>		V	
MM	ESD Protection (Machine Model)	200			V	
HBM	ESD Protection (Human Body Model)	4000			V	
CDM	ESD Protection (Charged Device Model)	2000			V	
LU	Latch-up Immunity	200			mA	
C <sub>IN</sub>	Input Capacitance		4.0		pF	Inputs
θ <sub>JA</sub>	Thermal resistance junction to ambient JESD 51-3, single layer test board		83.1	86.0	°C/W	Natural convection
			73.3	75.4	°C/W	100 ft/min
			68.9	70.9	°C/W	200 ft/min
			63.8	65.3	°C/W	400 ft/min
			57.4	59.6	°C/W	800 ft/min
	JESD 51-6, 2S2P multilayer test board		59.0	60.6	°C/W	Natural convection
			54.4	55.7	°C/W	100 ft/min
			52.5	53.8	°C/W	200 ft/min
			50.4	51.5	°C/W	400 ft/min
			47.8	48.8	°C/W	800 ft/min
θ <sub>JC</sub>	Thermal Resistance Junction to Case		23.0	26.3	°C/W	MIL-SPEC 883E Method 1012.1
T <sub>J</sub>	Operating Junction Temperature <sup>(2)</sup> (Continuous Operation) MTBF = 9.1 years			110	°C	

1. Output termination voltage V<sub>TT</sub> = 0 V for V<sub>CC</sub> = 2.5 V operation is supported but the power consumption of the device will increase
2. Operating junction temperature impacts device life time. Maximum continuous operating junction temperature should be selected according to the application life time requirements (See application note AN1545 and the application section in this data sheet for more information). The device AC and DC parameters are specified up to 110°C junction temperature allowing the MC100ES6111 to be used in applications requiring industrial temperature range. It is recommended that users of the MC100ES6111 employ thermal modeling analysis to assist in applying the junction temperature specifications to their particular application.

**Table 5. PECL/HSTL DC Characteristics** ( $V_{CC} = 2.5\text{ V} \pm 5\%$  or  $V_{CC} = 3.3\text{ V} \pm 5\%$ ,  $V_{EE} = \text{GND}$ ,  $T_J = 0^\circ\text{C}$  to  $+110^\circ\text{C}$ )

Symbol	Characteristics	Min	Typ	Max	Unit	Condition
Control Input CLK_SEL						
$V_{IL}$	Input Voltage Low	$V_{CC} - 1.810$		$V_{CC} - 1.475$	V	
$V_{IH}$	Input Voltage High	$V_{CC} - 1.165$		$V_{CC} - 0.880$	V	
$I_{IN}$	Input Current <sup>(1)</sup>			100	$\mu\text{A}$	$V_{IN} = V_{IL}$ or $V_{IN} = V_{IH}$
Clock Input Pair CLKA, $\overline{\text{CLKA}}$ (PECL differential signals)						
$V_{PP}$	Differential Input Voltage <sup>(2)</sup>	0.1		1.3	V	Differential operation
$V_{CMR}$	Differential Cross Point Voltage <sup>(3)</sup>	1.0		$V_{CC} - 0.3$	V	Differential operation
$I_{IN}$	Input Current <sup>(1)</sup>			100	$\mu\text{A}$	$V_{IN} = V_{IL}$ or $V_{IN} = V_{IH}$
Clock Input Pair CLKB, $\overline{\text{CLKB}}$ (HSTL differential signals)						
$V_{DIF}$	Differential Input Voltage <sup>(4)</sup>				V	
	$V_{CC} = 3.3\text{ V}$	0.4			V	
	$V_{CC} = 2.5\text{ V}$	0.4			V	
$V_X$	Differential Cross Point Voltage <sup>(5)</sup>	0	0.68 – 0.9	$V_{CC} - 1.1$	V	
$I_{IN}$	Input Current			200	$\mu\text{A}$	$V_{IN} = V_X \pm 0.2\text{ V}$
PECL Clock Outputs (Q0-9, $\overline{\text{Q0-9}}$ )						
$V_{OH}$	Output High Voltage	$V_{CC} - 1.2$	$V_{CC} - 1.005$	$V_{CC} - 0.7$	V	$I_{OH} = -30\text{ mA}$ <sup>(6)</sup>
$V_{OL}$	Output Low Voltage	$V_{CC} = 3.3\text{ V} \pm 5\%$ $V_{CC} = 2.5\text{ V} \pm 5\%$	$V_{CC} - 1.9$ $V_{CC} - 1.9$	$V_{CC} - 1.705$ $V_{CC} - 1.705$	$V_{CC} - 1.5$ $V_{CC} - 1.3$	$I_{OL} = -5\text{ mA}$ <sup>(6)</sup>
Supply Current and $V_{BB}$						
$I_{EE}$	Maximum Quiescent Supply Current without Output Termination Current <sup>(7)</sup>			100	mA	$V_{EE}$ pin
$V_{BB}$	Output Reference Voltage	$V_{CC} - 1.4$		$V_{CC} - 1.2$	V	$I_{BB} = 200\ \mu\text{A}$

1. Input have internal pullup/pulldown resistors which affect the input current.
2.  $V_{PP}$  (DC) is the minimum differential input voltage swing required to maintain device functionality.
3.  $V_{CMR}$  (DC) is the crosspoint of the differential input signal. Functional operation is obtained when the crosspoint is within the  $V_{CMR}$  (DC) range and the input swing lies within the  $V_{PP}$  (DC) specification.
4.  $V_{DIF}$  (DC) is the minimum differential HSTL input voltage swing required for device functionality.
5.  $V_X$  (DC) is the crosspoint of the differential HSTL input signal. Functional operation is obtained when the crosspoint is within the  $V_X$  (DC) range and the input swing lies within the  $V_{PP}$  (DC) specification.
6. Equivalent to a termination of  $50\ \Omega$  to  $V_{TT}$ .
7.  $I_{CC}$  calculation:  $I_{CC} = (\text{number of differential output pairs used}) \times (I_{OH} + I_{OL}) + I_{EE}$   
 $I_{CC} = (\text{number of differential output pairs used}) \times (V_{OH} - V_{TT})/R_{load} + (V_{OL} - V_{TT})/R_{load} + I_{EE}$

**Table 6. ECL DC Characteristics** ( $V_{EE} = -2.5\text{ V} \pm 5\%$  or  $V_{EE} = -3.3\text{ V} \pm 5\%$ ,  $V_{CC} = \text{GND}$ ,  $T_J = 0^\circ\text{C}$  to  $+110^\circ\text{C}$ )

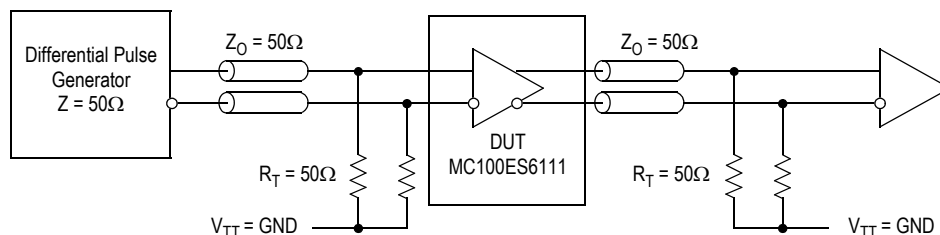
Symbol	Characteristics	Min	Typ	Max	Unit	Condition
Control Input CLK_SEL						
$V_{IL}$	Input Voltage Low	-1.810		-1.475	V	
$V_{IH}$	Input Voltage High	-1.165		-0.880	V	
$I_{IN}$	Input Current <sup>(1)</sup>			100	$\mu\text{A}$	$V_{IN} = V_{IL}$ or $V_{IN} = V_{IH}$
Clock Input Pair $\overline{\text{CLKA}}$ , $\overline{\text{CLKA}}$ , $\overline{\text{CLKB}}$ , $\overline{\text{CLKB}}$ (ECL differential signals)						
$V_{PP}$	Differential Input Voltage <sup>(2)</sup>	0.1		1.3	V	Differential operation
$V_{CMR}$	Differential Cross Point Voltage <sup>(3)</sup>	$V_{EE} + 1.0$		-0.3	V	Differential operation
$I_{IN}$	Input Current <sup>(1)</sup>			100	$\mu\text{A}$	$V_{IN} = V_{IL}$ or $V_{IN} = V_{IH}$
ECL Clock Outputs (Q0-9, $\overline{\text{Q0-9}}$ )						
$V_{OH}$	Output High Voltage	-1.2	-1.005	-0.7	V	$I_{OH} = -30\text{ mA}^{(4)}$
$V_{OL}$	Output Low Voltage	$V_{EE} = -3.3\text{ V} \pm 5\%$ $V_{EE} = -2.5\text{ V} \pm 5\%$	-1.9 -1.9	-1.705 -1.705	-1.5 -1.3	V $I_{OL} = -5\text{ mA}^{(4)}$
Supply Current and $V_{BB}$						
$I_{EE}$	Maximum Quiescent Supply Current without Output Termination Current <sup>(5)</sup>			100	mA	$V_{EE}$ pin
$V_{BB}$	Output Reference Voltage	$V_{CC} - 1.4$		$V_{CC} - 1.2$	V	$I_{BB} = 200\ \mu\text{A}$

1. Input have internal pullup/pulldown resistors which affect the input current.
2.  $V_{PP}$  (DC) is the minimum differential input voltage swing required to maintain device functionality.
3.  $V_{CMR}$  (DC) is the crosspoint of the differential input signal. Functional operation is obtained when the crosspoint is within the  $V_{CMR}$  (DC) range and the input swing lies within the  $V_{PP}$  (DC) specification.
4. Equivalent to a termination of  $50\ \Omega$  to  $V_{TT}$ .
5.  $I_{CC}$  calculation:  $I_{CC} = (\text{number of differential output pairs used}) \times (I_{OH} + I_{OL}) + I_{EE}$   
 $I_{CC} = (\text{number of differential output pairs used}) \times (V_{OH} - V_{TT})/R_{load} + (V_{OL} - V_{TT})/R_{load} + I_{EE}$

**Table 7. AC Characteristics** (ECL:  $V_{EE} = -3.3\text{ V} \pm 5\%$  or  $V_{EE} = -2.5\text{ V} \pm 5\%$ ,  $V_{CC} = \text{GND}$ ) or (HSTL/PECL:  $V_{CC} = 3.3\text{ V} \pm 5\%$  or  $V_{CC} = 2.5\text{ V} \pm 5\%$ ,  $V_{EE} = \text{GND}$ ,  $T_J = 0^\circ\text{C}$  to  $+110^\circ\text{C}$ )<sup>(1)</sup>

Symbol	Characteristics	Min	Typ	Max	Unit	Condition
Clock Input Pair CLKA, $\overline{\text{CLKA}}$ (PECL or ECL differential signals)						
$V_{PP}$	Differential Input Voltage <sup>(2)</sup> (peak-to-peak)	0.15		1.3	V	
$V_{CMR}$	Differential Input Crosspoint Voltage <sup>(3)</sup> PECL	$V_{EE} + 1.0$		$V_{CC} - 0.3$	V	
$f_{CLK}$	Input Frequency <sup>(4)</sup>			2.7	GHz	Differential
$t_{PD}$	Propagation Delay CLKA or CLKB to Q0-9	280	400	530	ps	Differential
Clock Input Pair CLKB, $\overline{\text{CLKB}}$ (HSTL differential signals)						
$V_{DIF}$	Differential Input Voltage (peak-to-peak) <sup>(5)</sup>	0.4		1.0	V	
$V_X$	Differential Input Crosspoint Voltage <sup>(6)</sup>	$V_{EE} + 0.1$	$V_{EE} + 0.68$ $V_{EE} + 0.9$	$V_{EE} + 2.1$	V	
$f_{CLK}$	Input Frequency			2.7	GHz	Differential
$t_{PD}$	Propagation Delay CLKB to Q0-9	280	400	530	ps	Differential
ECL Clock Outputs (Q0-9, $\overline{\text{Q0-9}}$ )						
$V_{O(P-P)}$	Differential Output Voltage (peak-to-peak) $f_O < 300\text{ MHz}$ $f_O < 1.5\text{ GHz}$ $f_O < 2.7\text{ GHz}$	0.45 0.3 0.18	0.72 0.55 0.37	0.95 0.95 0.95	V V V	
$t_{sk(O)}$	Output-to-Output Skew			35	ps	Differential
$t_{sk(PP)}$	Output-to-Output Skew (part-to-part) $f_O < 1.5\text{ GHz}$ $f_O > 1.5\text{ GHz}$			150 250	ps ps	Differential
$t_{JIT(CC)}$	Output Cycle-to-Cycle Jitter RMS ( $1\sigma$ )			1	ps	
$t_{sk(P)}$	Output Pulse Skew <sup>(7)</sup>			75	ps	
$t_r, t_f$	Output Rise/Fall Time	0.05		0.3	ns	20% to 80%

- AC characteristics apply for parallel output termination of  $50\ \Omega$  to  $V_{TT}$ .
- $V_{PP}$  (AC) is the minimum differential ECL/PECL input voltage swing required to maintain AC characteristics including  $t_{pd}$  and device-to-device skew.
- $V_{CMR}$  (AC) is the crosspoint of the differential ECL/PECL input signal. Normal AC operation is obtained when the crosspoint is within the  $V_{CMR}$  (AC) range and the input swing lies within the  $V_{PP}$  (AC) specification. Violation of  $V_{CMR}$  (AC) or  $V_{PP}$  (AC) impacts the device propagation delay, device and part-to-part skew.
- The MC100ES6111 is fully operational up to 3.0 GHz and is characterized up to 2.7 GHz.
- $V_{DIF}$  (AC) is the minimum differential HSTL input voltage swing required to maintain AC characteristics including  $t_{pd}$  and device-to-device skew.
- $V_X$  (AC) is the crosspoint of the differential HSTL input signal. Normal AC operation is obtained when the crosspoint is within the  $V_X$  (AC) range and the input swing lies within the  $V_{DIF}$  (AC) specification. Violation of  $V_X$  (AC) or  $V_{DIF}$  (AC) impacts the device propagation delay, device and part-to-part skew.
- Output pulse skew is the absolute difference of the propagation delay times:  $|t_{PLH} - t_{PHL}|$ .



**Figure 3. MC100ES6111 AC Test Reference**

## APPLICATIONS INFORMATION

### Understanding the Junction Temperature Range of the MC100ES6111

To make the optimum use of high clock frequency and low skew capabilities of the MC100ES6111, the MC100ES6111 is specified, characterized and tested for the junction temperature range of  $T_J = 0^\circ\text{C}$  to  $+110^\circ\text{C}$ . Because the exact thermal performance depends on the PCB type, design, thermal management and natural or forced air convection, the junction temperature provides an exact way to correlate the application specific conditions to the published performance data of this data sheet. The correlation of the junction temperature range to the application ambient temperature range and vice versa can be done by calculation:

$$T_J = T_A + R_{thja} \cdot P_{tot}$$

Assuming a thermal resistance (junction to ambient) of  $54.4^\circ\text{C/W}$  (2s2p board, 200 ft/min airflow, see Table 4) and a typical power consumption of 610 mW (all outputs terminated 50 ohms to  $V_{TT}$ ,  $V_{CC} = 3.3\text{ V}$ , frequency independent), the junction temperature of the MC100ES6111 is approximately  $T_A + 33^\circ\text{C}$ , and the minimum ambient temperature in this example case calculates to  $-33^\circ\text{C}$  (the maximum ambient temperature is  $77^\circ\text{C}$ , see Table 8). Exceeding the minimum junction temperature specification of the MC100ES6111 does not have a significant impact on the device functionality. However, the continuous use of the MC100ES6111 at high ambient temperatures requires thermal management to not exceed the specified maximum junction temperature. Please see the Freescale application note AN1545 for a power consumption calculation guideline.

**Table 8 . Ambient Temperature Range ( $P_{tot} = 610\text{ mW}$ )**

$R_{thja}$ (2s2p board)		$T_A$ , Min <sup>(1)</sup>	$T_A$ , Max
Natural convection	$59.0^\circ\text{C/W}$	$-36^\circ\text{C}$	$74^\circ\text{C}$
100 ft/min	$54.4^\circ\text{C/W}$	$-33^\circ\text{C}$	$77^\circ\text{C}$
200 ft/min	$52.5^\circ\text{C/W}$	$-32^\circ\text{C}$	$78^\circ\text{C}$
400 ft/min	$50.4^\circ\text{C/W}$	$-30^\circ\text{C}$	$79^\circ\text{C}$
800 ft/min	$47.8^\circ\text{C/W}$	$-29^\circ\text{C}$	$81^\circ\text{C}$

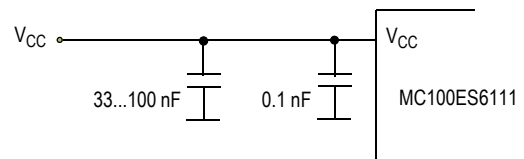
1. The MC100ES6111 device function is guaranteed from  $T_A = -40^\circ\text{C}$  to  $T_J = 110^\circ\text{C}$

### Maintaining Lowest Device Skew

The MC100ES6111 guarantees low output-to-output bank skew of 35 ps and a part-to-part skew of max. 250 ps. To ensure low skew clock signals in the application, both outputs of any differential output pair need to be terminated identically, even if only one output is used. When fewer than all nine output pairs are used, identical termination of all output pairs within the output bank is recommended. If an entire output bank is not used, it is recommended to leave all of these outputs open and unterminated. This will reduce the device power consumption while maintaining minimum output skew.

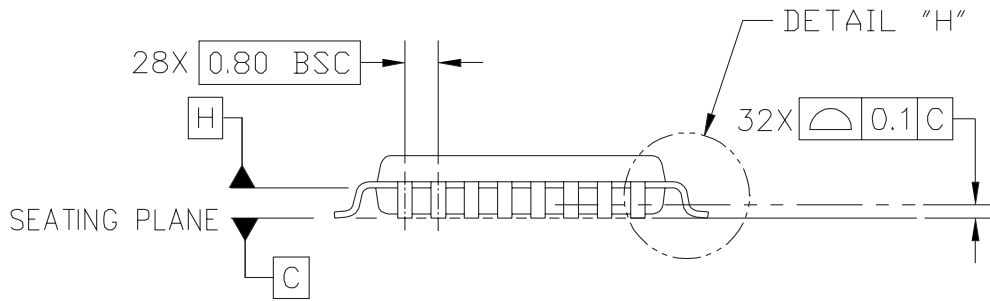
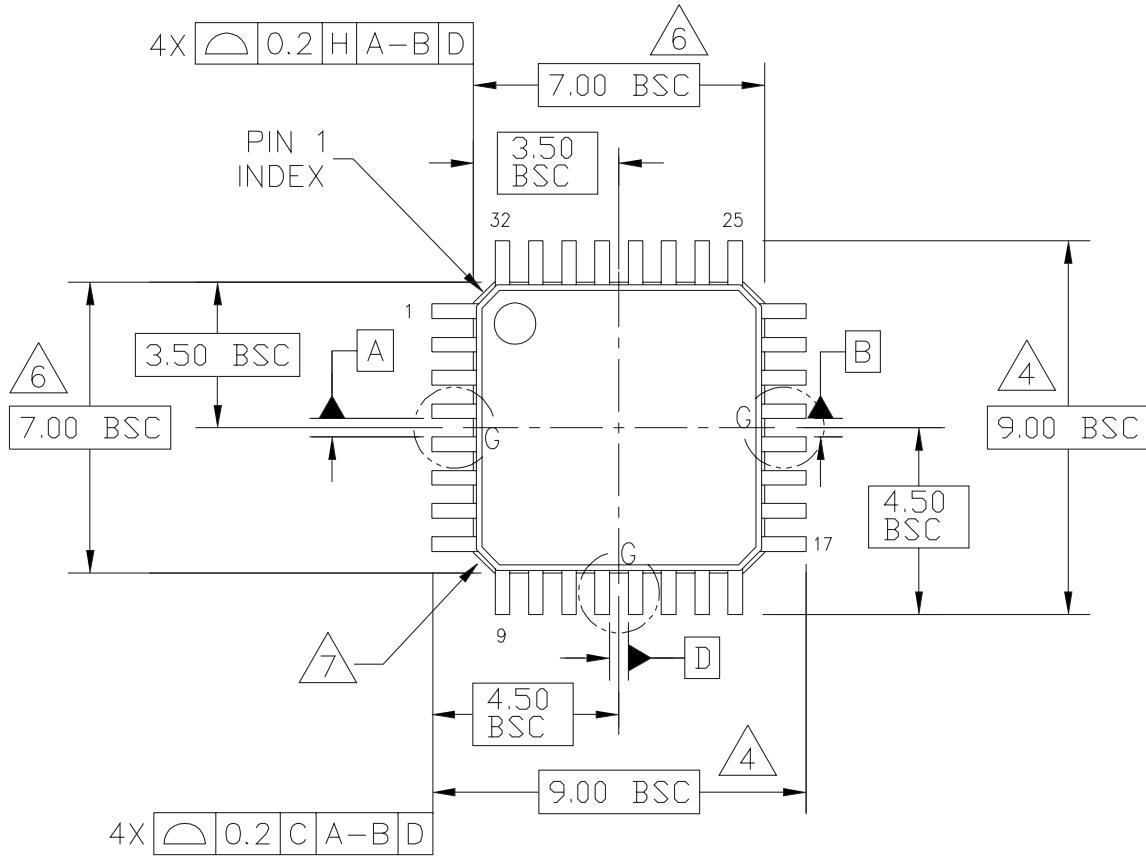
### Power Supply Bypassing

The MC100ES6111 is a mixed analog/digital product. The differential architecture of the MC100ES6111 supports low noise signal operation at high frequencies. In order to maintain its superior signal quality, all  $V_{CC}$  pins should be bypassed by high-frequency ceramic capacitors connected to GND. If the spectral frequencies of the internally generated switching noise on the supply pins cross the series resonant point of an individual bypass capacitor, its overall impedance begins to look inductive and thus increases with increasing frequency. The parallel capacitor combination shown ensures that a low impedance path to ground exists for frequencies well above the noise bandwidth.



**Figure 4.  $V_{CC}$  Power Supply Bypass**

# PACKAGE DIMENSIONS

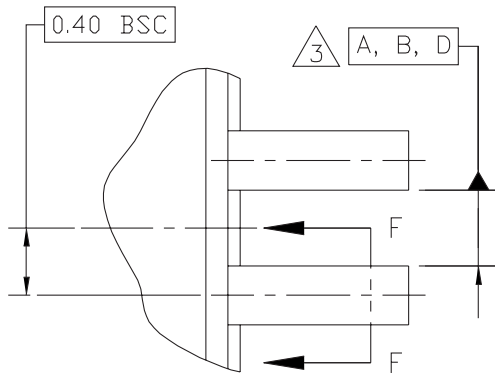


© FREESCALE SEMICONDUCTOR, INC. ALL RIGHTS RESERVED.	MECHANICAL OUTLINE	PRINT VERSION NOT TO SCALE
TITLE: LOW PROFILE QUAD FLAT PACK (LQFP) 32 LEAD, 0.8 PITCH (7 X 7 X 1.4)	DOCUMENT NO: 98ASH70029A	REV: C
	CASE NUMBER: 873A-04	01 APR 2005
	STANDARD: JEDEC MS-026 BBA	

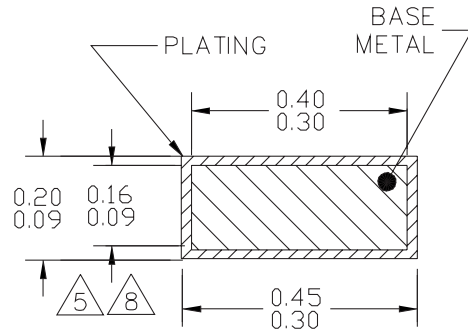
PAGE 1 OF 3

**CASE 873A-04  
ISSUE C  
32-LEAD LQFP PACKAGE**

## PACKAGE DIMENSIONS

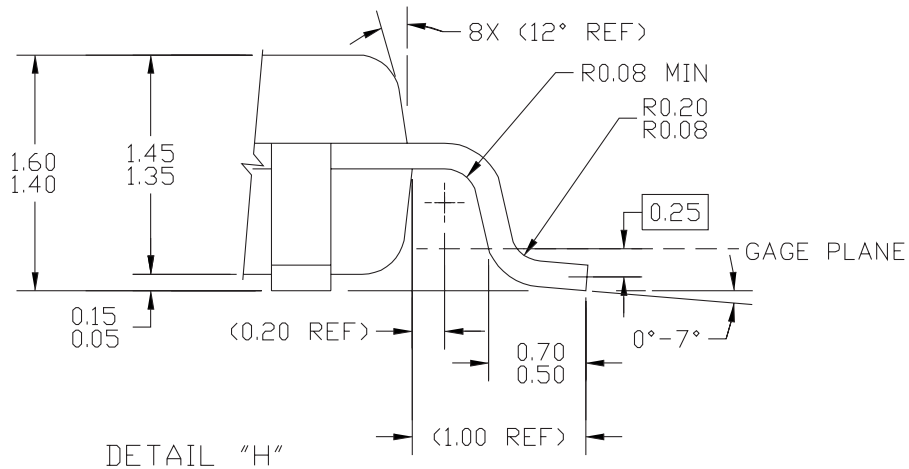


DETAIL G



⊕ 0.2 Ⓜ C A-B D

SECTION F-F  
ROTATED 90°CW  
32 PLACES



DETAIL "H"

© FREESCALE SEMICONDUCTOR, INC. ALL RIGHTS RESERVED.	MECHANICAL OUTLINE	PRINT VERSION NOT TO SCALE
TITLE: LOW PROFILE QUAD FLAT PACK (LQFP) 32 LEAD, 0.8 PITCH (7 X 7 X 1.4)	DOCUMENT NO: 98ASH70029A	REV: C
	CASE NUMBER: 873A-04	01 APR 2005
	STANDARD: JEDEC MS-026 BBA	

PAGE 2 OF 3

**CASE 873A-04  
ISSUE C  
32-LEAD LQFP PACKAGE**

**MC100ES6111**

## PACKAGE DIMENSIONS

NOTES:

1. DIMENSIONS ARE IN MILLIMETERS.
2. INTERPRET DIMENSIONS AND TOLERANCES PER ASME Y14.5-1994.
3. DATUMS A, B, AND D TO BE DETERMINED AT DATUM PLANE H.
4. DIMENSIONS TO BE DETERMINED AT SEATING PLANE DATUM C.
5. DIMENSION DOES NOT INCLUDE DAMBAR PROTRUSION. ALLOWABLE DAMBAR PROTRUSION SHALL NOT CAUSE THE LEAD WIDTH TO EXCEED THE MAXIMUM DIMENSION BY MORE THAN 0.08 MM. DAMBAR CANNOT BE LOCATED ON THE LOWER RADIUS OR THE FOOT. MINIMUM SPACE BETWEEN PROTRUSION AND ADJACENT LEAD OR PROTRUSION: 0.07 MM.
6. DIMENSIONS DO NOT INCLUDE MOLD PROTRUSION. ALLOWABLE PROTRUSION IS 0.25 MM PER SIDE. DIMENSIONS ARE MAXIMUM PLASTIC BODY SIZE DIMENSIONS INCLUDING MOLD MISMATCH.
7. EXACT SHAPE OF EACH CORNER IS OPTIONAL.
8. THESE DIMENSIONS APPLY TO THE FLAT SECTION OF THE LEAD BETWEEN 0.1 MM AND 0.25 MM FROM THE LEAD TIP.

© FREESCALE SEMICONDUCTOR, INC. ALL RIGHTS RESERVED.	MECHANICAL OUTLINE	PRINT VERSION NOT TO SCALE
TITLE:  LOW PROFILE QUAD FLAT PACK (LQFP) 32 LEAD, 0.8 PITCH (7 X 7 X 1.4)	DOCUMENT NO: 98ASH70029A	REV: C
	CASE NUMBER: 873A-04	01 APR 2005
	STANDARD: JEDEC MS-026 BBA	

PAGE 3 OF 3

**CASE 873A-04**  
**ISSUE C**  
**32-LEAD LQFP PACKAGE**

---

# NOTES

## **How to Reach Us:**

### **Home Page:**

www.freescale.com

### **E-mail:**

support@freescale.com

### **USA/Europe or Locations Not Listed:**

Freescale Semiconductor  
Technical Information Center, CH370  
1300 N. Alma School Road  
Chandler, Arizona 85224  
+1-800-521-6274 or +1-480-768-2130  
support@freescale.com

### **Europe, Middle East, and Africa:**

Freescale Halbleiter Deutschland GmbH  
Technical Information Center  
Schatzbogen 7  
81829 Muenchen, Germany  
+44 1296 380 456 (English)  
+46 8 52200080 (English)  
+49 89 92103 559 (German)  
+33 1 69 35 48 48 (French)  
support@freescale.com

### **Japan:**

Freescale Semiconductor Japan Ltd.  
Headquarters  
ARCO Tower 15F  
1-8-1, Shimo-Meguro, Meguro-ku,  
Tokyo 153-0064  
Japan  
0120 191014 or +81 3 5437 9125  
support.japan@freescale.com

### **Asia/Pacific:**

Freescale Semiconductor Hong Kong Ltd.  
Technical Information Center  
2 Dai King Street  
Tai Po Industrial Estate  
Tai Po, N.T., Hong Kong  
+800 2666 8080  
support.asia@freescale.com

### **For Literature Requests Only:**

Freescale Semiconductor Literature Distribution Center  
P.O. Box 5405  
Denver, Colorado 80217  
1-800-441-2447 or 303-675-2140  
Fax: 303-675-2150  
LDCForFreescaleSemiconductor@hibbertgroup.com

Information in this document is provided solely to enable system and software implementers to use Freescale Semiconductor products. There are no express or implied copyright licenses granted hereunder to design or fabricate any integrated circuits or integrated circuits based on the information in this document.

Freescale Semiconductor reserves the right to make changes without further notice to any products herein. Freescale Semiconductor makes no warranty, representation or guarantee regarding the suitability of its products for any particular purpose, nor does Freescale Semiconductor assume any liability arising out of the application or use of any product or circuit, and specifically disclaims any and all liability, including without limitation consequential or incidental damages. "Typical" parameters that may be provided in Freescale Semiconductor data sheets and/or specifications can and do vary in different applications and actual performance may vary over time. All operating parameters, including "Typicals", must be validated for each customer application by customer's technical experts. Freescale Semiconductor does not convey any license under its patent rights nor the rights of others. Freescale Semiconductor products are not designed, intended, or authorized for use as components in systems intended for surgical implant into the body, or other applications intended to support or sustain life, or for any other application in which the failure of the Freescale Semiconductor product could create a situation where personal injury or death may occur. Should Buyer purchase or use Freescale Semiconductor products for any such unintended or unauthorized application, Buyer shall indemnify and hold Freescale Semiconductor and its officers, employees, subsidiaries, affiliates, and distributors harmless against all claims, costs, damages, and expenses, and reasonable attorney fees arising out of, directly or indirectly, any claim of personal injury or death associated with such unintended or unauthorized use, even if such claim alleges that Freescale Semiconductor was negligent regarding the design or manufacture of the part.

Freescale™ and the Freescale logo are trademarks of Freescale Semiconductor, Inc. All other product or service names are the property of their respective owners.

© Freescale Semiconductor, Inc. 2005. All rights reserved.



## Looking for pricing, stock, or lifecycle information?

Click below to explore more details on WIN SOURCE:

- ⊖ [View MC100ES6111FA on WIN SOURCE](#)
- ⊖ [Freescale Semiconductor - NXP Information](#)

## Optimize Your Supply Chain with WIN SOURCE Solutions

- ✓ Global Sourcing Solution
- ✓ Obsolete Management
- ✓ Cost Control Management
- ✓ Shortage Management
- ✓ Alternative Solution
- ✓ Excess Inventory Management