



**THE DATASHEET OF
MB95F334K**





MB95F332H/F332K/F333H/F333K/F334H/F334K

F²MC-8FX MB95330H Series 8-bit Micro-controllers

MB95330H is a series of general-purpose, single-chip microcontrollers. In addition to a compact instruction set, the microcontrollers of this series contain a variety of peripheral resources.

Features

F²MC-8FX CPU core

Instruction set optimized for controllers

- Multiplication and division instructions
- 16-bit arithmetic operations
- Bit test branch instructions
- Bit manipulation instructions, etc.

Clock

- Selectable main clock source
 - Main OSC clock (up to 16.25 MHz, maximum machine clock frequency: 8.125 MHz)
 - External clock (up to 32.5 MHz, maximum machine clock frequency: 16.25 MHz)
 - Main CR clock (1/8/10/12.5 MHz \pm 2%, maximum machine clock frequency: 12.5 MHz)
- Selectable subclock source
 - Sub-OSC clock (32.768 kHz)
 - External clock (32.768 kHz)
 - Sub-CR clock (Typ: 100 kHz, Min: 50 kHz, Max: 200 kHz)

Timer

- 8/16-bit composite timer \times 2 channels
- 8/16-bit PPG \times 3 channels
- 16-bit PPG \times 1 channel (can work independently or together with the multi-pulse generator)
- 16-bit reload timer \times 1 channel (can work independently or together with the multi-pulse generator)
- Time-base timer \times 1 channel
- Watch prescaler \times 1 channel

UART/SIO \times 1 channel

- Full duplex double buffer
- Capable of clock-asynchronous (UART) serial data transfer and clock-synchronous (SIO) serial data transfer

I²C \times 1 channel

- Built-in wake-up function

Multi-pulse generator (MPG) (for DC motor control) \times 1 channel

- 16-bit reload timer \times 1 channel
- 16-bit PPG timer \times 1 channel
- Waveform sequencer (including a 16-bit timer equipped with a buffer and a compare clear function)

LIN-UART

- Full duplex double buffer
- Capable of clock-synchronous serial data transfer and clock-asynchronous serial data transfer

External interrupt \times 10 channels

- Interrupt by edge detection (rising edge, falling edge, and both edges can be selected)
- Can be used to wake up the device from different low power consumption (standby) modes

8/10-bit A/D converter \times 8 channels

- 8-bit and 10-bit resolution can be chosen.

Low power consumption (standby) modes

- Stop mode
- Sleep mode
- Watch mode
- Time-base timer mode

I/O port

- MB95F332H/F333H/F334H (maximum no. of I/O ports: 28)
 - General-purpose I/O ports (N-ch open drain): 3
 - General-purpose I/O ports (CMOS I/O): 25
- MB95F332K/F333K/F334K (maximum no. of I/O ports: 29)
 - General-purpose I/O ports (N-ch open drain): 4
 - General-purpose I/O ports (CMOS I/O): 25

On-chip debug

- 1-wire serial control
- Serial writing supported (asynchronous mode)

Hardware/software watchdog timer

- Built-in hardware watchdog timer

Low-voltage detection reset circuit

- Built-in low-voltage detector

Clock supervisor counter

- Built-in clock supervisor counter function

Programmable port input voltage level

- CMOS input level / hysteresis input level

Dual operation Flash memory

- The erase/write operation and the read operation can be executed in different banks (upper bank/lower bank) simultaneously.

Flash memory security function

- Protects the content of the Flash memory

Contents

Product Line-up	4	Clock Timing	33
Packages and Corresponding Products	6	Source Clock/Machine Clock	35
Differences Among Products and Notes On		External Reset	37
Product Selection	7	Power-on Reset	37
Pin Assignment	8	Peripheral Input Timing	38
Pin Description	10	LIN-UART Timing	39
I/O Circuit Type	14	Low-voltage Detection	44
Notes On Device Handling	16	I2C Timing	46
Pin Connection	16	UART/SIO, Serial I/O Timing	49
Block Diagram	18	MPG Input Timing	50
CPU Core	18	A/D Converter	50
I/O Map	20	A/D Converter Electrical Characteristics	50
Interrupt Source Table	26	Notes on Using the A/D Converter	51
Electrical Characteristics	27	Definitions of A/D Converter Terms	52
Absolute Maximum Ratings	27	Flash Memory Write/Erase Characteristics	55
Recommended Operating Conditions	28	Sample Characteristics	56
DC Characteristics	30	Mask Options	61
AC Characteristics	33	Ordering Information	62
		Package Dimension	63

1. Product Line-up

Part number	MB95F332H	MB95F333H	MB95F334H	MB95F332K	MB95F333K	MB95F334K
Parameter						
Type	Flash memory product					
Clock supervisor counter	It supervises the main clock oscillation.					
Program ROM capacity	8 Kbyte	12 Kbyte	20 Kbyte	8 Kbyte	12 Kbyte	20 Kbyte
RAM capacity	240 bytes	496 bytes	1008 bytes	240 bytes	496 bytes	1008 bytes
Low-voltage detection reset	No			Yes		
Reset input	Dedicated			Selected by software		
CPU functions	Number of basic instructions : 136 Instruction bit length : 8 bits Instruction length : 1 to 3 bytes Data bit length : 1, 8 and 16 bits Minimum instruction execution time : 61.5 ns (with machine clock = 16.25 MHz) Interrupt processing time : 0.6 μs (with machine clock = 16.25 MHz)					
General-purpose I/O	I/O ports (Max): 28 CMOS I/O: 25 N-ch open drain: 3			I/O ports (Max): 29 CMOS I/O: 25 N-ch open drain: 4		
Time-base timer	Interrupt cycle: 0.256 ms to 8.3 s (when external clock = 4 MHz)					
Hardware/software watchdog timer	Reset generation cycle Main oscillation clock at 10 MHz: 105 ms (Min) The sub-CR clock can be used as the source clock of the hardware watchdog timer.					
Wild register	It can be used to replace three bytes of data.					
LIN-UART	A wide range of communication speeds can be selected by a dedicated reload timer. Clock-synchronous serial data transfer and clock-asynchronous serial data transfer is enabled. The LIN function can be used as a LIN master or a LIN slave.					
8/10-bit A/D converter	8 channels 8-bit resolution and 10-bit resolution can be chosen.					
8/16-bit composite timer	2 channels The timer can be configured as an "8-bit timer x 2 channels" or a "16-bit timer x 1 channel". It has built-in timer function, PWC function, PWM function and input capture function. Count clock: it can be selected from internal clocks (seven types) and external clocks. It can output square wave.					
External interrupt	10 channels Interrupt by edge detection (The rising edge, falling edge, or both edges can be selected.) It can be used to wake up the device from different standby modes.					
On-chip debug	1-wire serial control It supports serial writing. (asynchronous mode)					

(Continued)

(Continued)

Part number	MB95F332H	MB95F333H	MB95F334H	MB95F332K	MB95F333K	MB95F334K
Parameter						
UART/SIO	1 channel Data transfer with UART/SIO is enabled. It has a full duplex double buffer, variable data length (5/6/7/8 bits), a built-in baud rate generator and an error detection function. It uses the NRZ type transfer format. LSB-first data transfer and MSB-first data transfer are available to use. Clock-asynchronous (UART) serial data transfer and clock-synchronous (SIO) serial data transfer is enabled.					
I ² C	1 channel Master/slave transmission and receiving It has a bus error function, an arbitration function, a transmission direction detection function and a wake-up function. It also has functions of generating and detecting repeated START conditions.					
8/16-bit PPG	3 channels Each channel of PPG can be used as two 8-bit PPG channels or a single 16-bit PPG channel. The counter operating clock can be selected from eight clock sources.					
16-bit PPG	PWM mode and one-shot mode are available to use. The counter operating clock can be selected from eight clock sources. It supports external trigger start. It can work independently or together with the multi-pulse generator.					
16-bit reload timer	Two clock modes and two counter operating modes are available to use. It can output square waveform. Count clock: it can be selected from internal clocks (seven types) and external clocks. Two counter operating modes: reload mode and one-shot mode It can work independently or together with the multi-pulse generator.					
Multi-pulse generator (for DC motor control)	16-bit PPG timer: 1 channel 16-bit reload timer operations: toggle output, one-shot output Event counter: 1 channel Waveform sequencer (including a 16-bit timer equipped with a buffer and a compare clear function)					
Watch prescaler	Eight different time intervals can be selected.					
Flash memory	It supports automatic programming, Embedded Algorithm, and write/erase/erase-suspend/erase-resume commands. It has a flag indicating the completion of the operation of Embedded Algorithm. Number of write/erase cycles: 100000 Data retention time: 20 years Flash security feature for protecting the content of the Flash memory					
Standby mode	Sleep mode, stop mode, watch mode, time-base timer mode					
Package	FPT-32P-M30 DIP-32P-M06 LCC-32P-M19					

2. Packages and Corresponding Products

Part number / Package	MB95F332H	MB95F332K	MB95F333H	MB95F333K	MB95F334H	MB95F334K
FPT-32P-M30	O	O	O	O	O	O
DIP-32P-M06	O	O	O	O	O	O
LCC-32P-M19	O	O	O	O	O	O

O: Available

3. Differences Among Products and Notes On Product Selection

- • Current consumption

When using the on-chip debug function, take account of the current consumption of flash erase/write.

For details of current consumption, see “Electrical Characteristics”.

- • Package

For details of information on each package, see “Packages and Corresponding Products” and “Package Dimension”.

- • Operating voltage

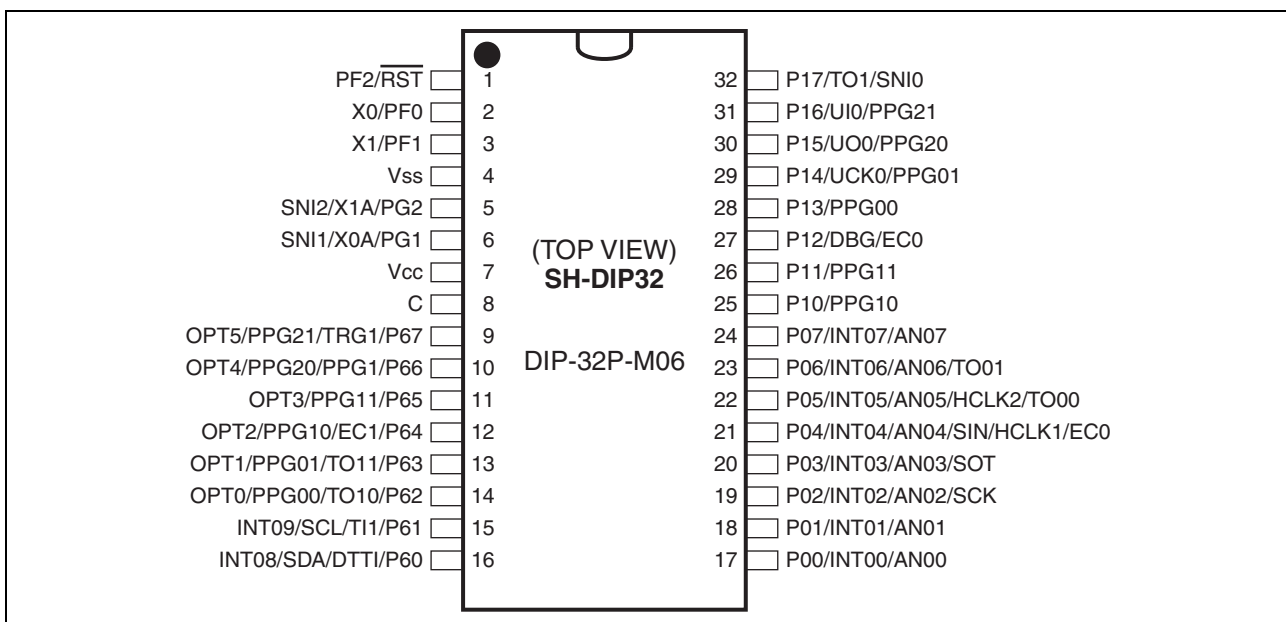
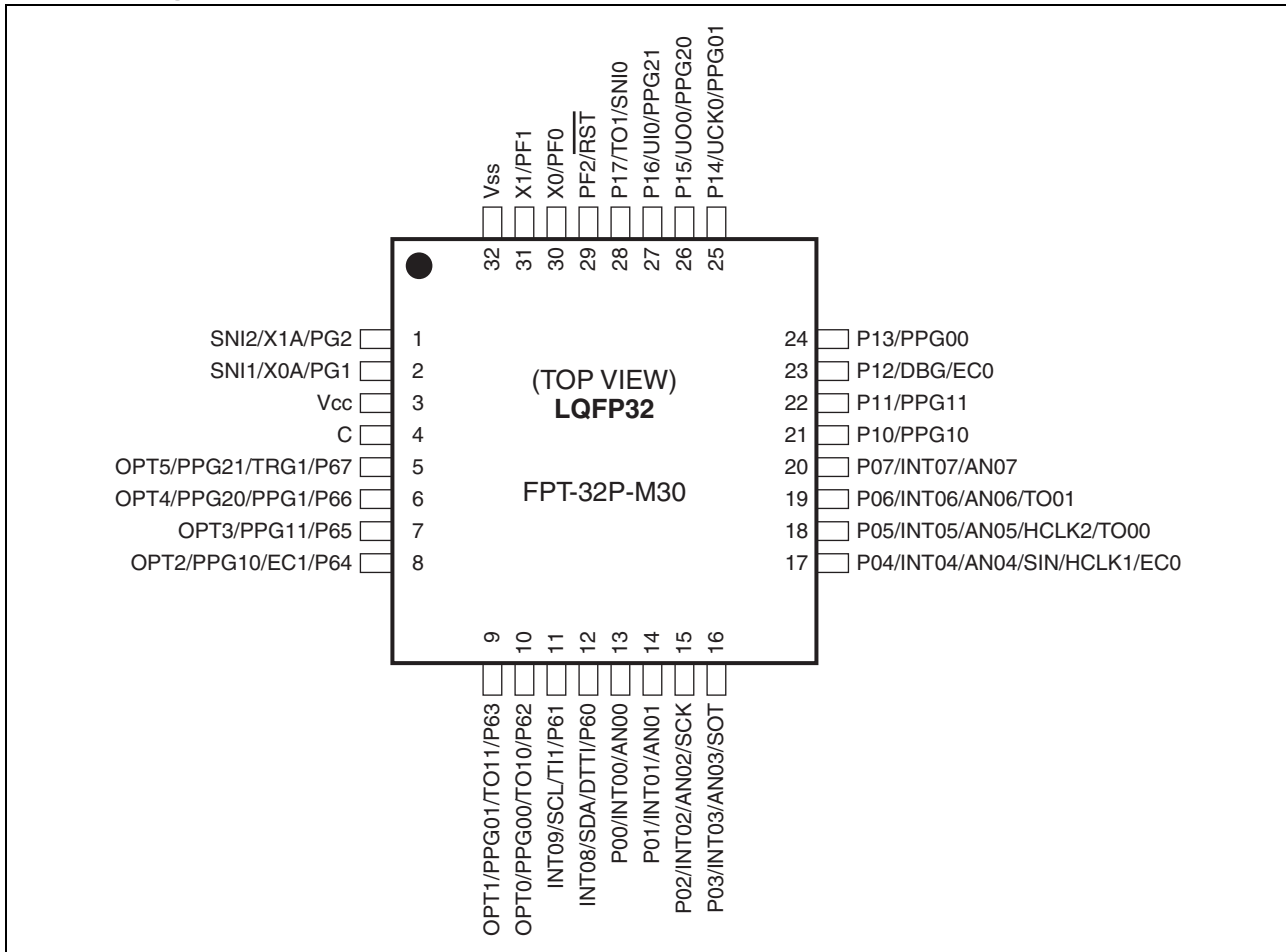
The operating voltage varies, depending on whether the on-chip debug function is used or not.

For details of the operating voltage, see “Electrical Characteristics”.

- • On-chip debug function

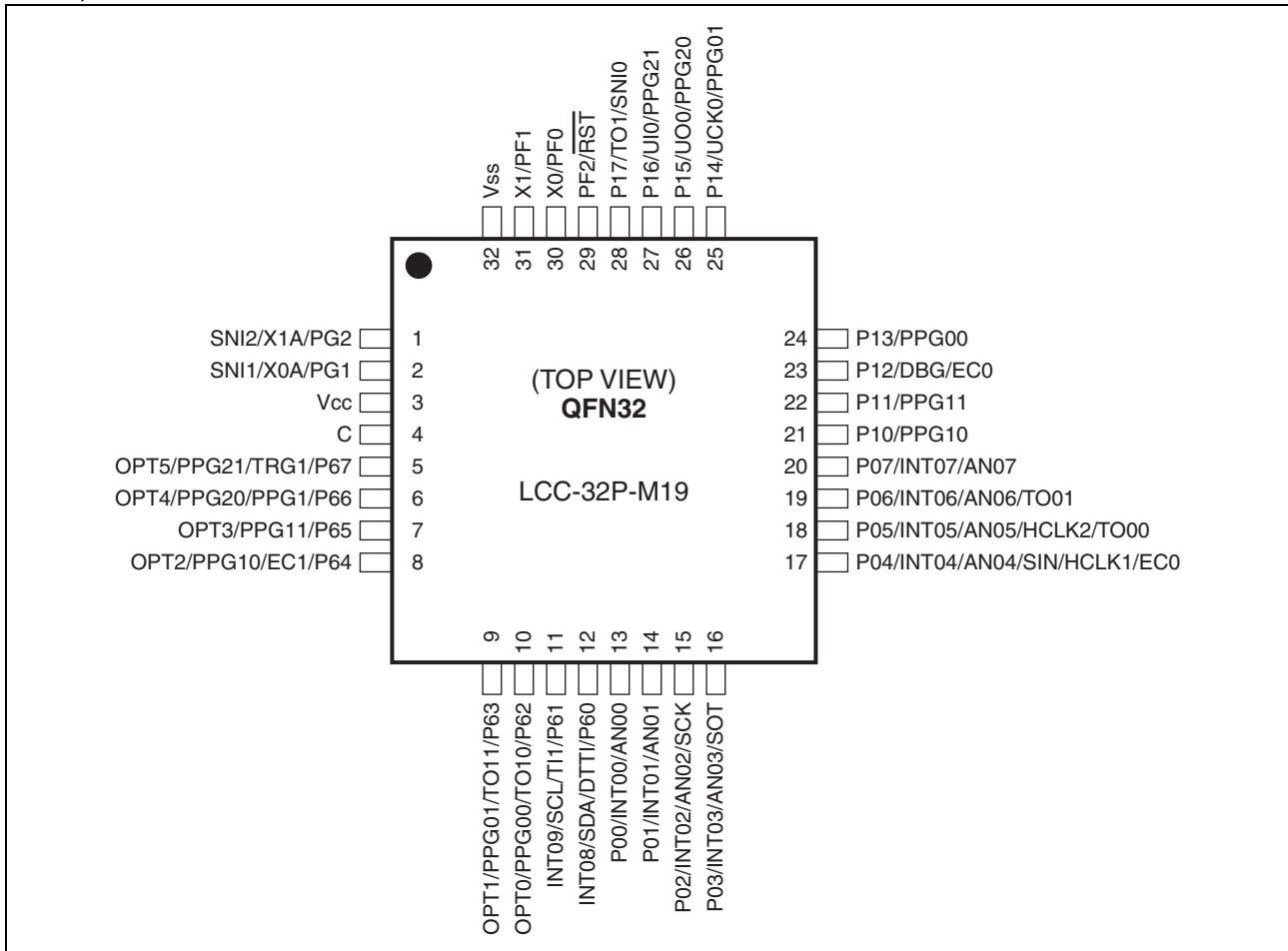
The on-chip debug function requires that V_{CC} , V_{SS} and one serial wire be connected to an evaluation tool.

4. Pin Assignment



(Continued)

(Continued)



5. Pin Description

Pin no.		Pin name	I/O circuit type*4	Function
LQFP32*1 & QFN32*2	SH-DIP32*3			
1	5	PG2	C	General-purpose I/O port
		X1A		Subclock I/O oscillation pin
		SNI2		Trigger input pin for the position detection function of the MPG waveform sequencer
2	6	PG1	C	General-purpose I/O port
		X0A		Subclock input oscillation pin
		SNI1		Trigger input pin for the position detection function of the MPG waveform sequencer
3	7	V _{CC}	—	Power supply pin
4	8	C	—	Capacitor connection pin
5	9	P67	D	General-purpose I/O port High-current pin
		PPG21		8/16-bit PPG ch. 2 output pin
		TRG1		16-bit PPG ch. 1 trigger input pin
		OPT5		MPG waveform sequencer output pin
6	10	P66	D	General-purpose I/O port High-current pin
		PPG20		8/16-bit PPG ch. 2 output pin
		PPG1		16-bit PPG ch. 1 output pin
		OPT4		MPG waveform sequencer output pin
7	11	P65	D	General-purpose I/O port High-current pin
		PPG11		8/16-bit PPG ch. 1 output pin
		OPT3		MPG waveform sequencer output pin
8	12	P64	D	General-purpose I/O port High-current pin
		EC1		8/16-bit composite timer ch. 1 clock input pin
		PPG10		8/16-bit PPG ch. 1 output pin
		OPT2		MPG waveform sequencer output pin
9	13	P63	D	General-purpose I/O port High-current pin
		TO11		8/16-bit composite timer ch. 1 output pin
		PPG01		8/16-bit PPG ch. 0 output pin
		OPT1		MPG waveform sequencer output pin

(Continued)

Pin no.		Pin name	I/O circuit type*4	Function
LQFP32*1 & QFN32*2	SH-DIP32*3			
10	14	P62	D	General-purpose I/O port High-current pin
		TO10		8/16-bit composite timer ch. 1 output pin
		PPG00		8/16-bit PPG ch. 0 output pin
		OPT0		MPG waveform sequencer output pin
11	15	P61	I	General-purpose I/O port
		INT09		External interrupt input pin
		SCL		I ² C clock I/O pin
		TI1		16-bit reload timer ch. 1 input pin
12	16	P60	I	General-purpose I/O port
		INT08		External interrupt input pin
		SDA		I ² C data I/O pin
		DTTI		MPG waveform sequencer input pin
13	17	P00	E	General-purpose I/O port
		INT00		External interrupt input pin
		AN00		A/D converter analog input pin
14	18	P01	E	General-purpose I/O port
		INT01		External interrupt input pin
		AN01		A/D converter analog input pin
15	19	P02	E	General-purpose I/O port
		INT02		External interrupt input pin
		AN02		A/D converter analog input pin
		SCK		LIN-UART clock I/O pin
16	20	P03	E	General-purpose I/O port
		INT03		External interrupt input pin
		AN03		A/D converter analog input pin
		SOT		LIN-UART data output pin
17	21	P04	F	General-purpose I/O port
		INT04		External interrupt input pin
		AN04		A/D converter analog input pin
		SIN		LIN-UART data input pin
		HCLK1		External clock input pin
		EC0		8/16-bit composite timer ch. 0 clock input pin

(Continued)

Pin no.		Pin name	I/O circuit type ^{*4}	Function
LQFP32 ^{*1} & QFN32 ^{*2}	SH-DIP32 ^{*3}			
18	22	P05	E	General-purpose I/O port
		INT05		External interrupt input pin
		AN05		A/D converter analog input pin
		HCLK2		External clock input pin
		TO00		8/16-bit composite timer ch. 0 output pin
19	23	P06	E	General-purpose I/O port
		INT06		External interrupt input pin
		AN06		A/D converter analog input pin
		TO01		8/16-bit composite timer ch. 0 output pin
20	24	P07	E	General-purpose I/O port
		INT07		External interrupt input pin
		AN07		A/D converter analog input pin
21	25	P10	G	General-purpose I/O port
		PPG10		8/16-bit PPG ch. 1 output pin
22	26	P11	G	General-purpose I/O port
		PPG11		8/16-bit PPG ch. 1 output pin
23	27	P12	H	General-purpose I/O port
		DBG		DBG input pin
		EC0		8/16-bit composite timer ch. 0 clock input pin
24	28	P13	G	General-purpose I/O port
		PPG00		8/16-bit PPG ch. 0 output pin
25	29	P14	G	General-purpose I/O port
		UCK0		UART/SIO ch. 0 clock I/O pin
		PPG01		8/16-bit PPG ch. 0 output pin
26	30	P15	G	General-purpose I/O port
		U00		UART/SIO ch. 0 data output pin
		PPG20		8/16-bit PPG ch. 2 output pin
27	31	P16	J	General-purpose I/O port
		UI0		UART/SIO ch. 0 data input pin
		PPG21		8/16-bit PPG ch. 2 output pin
28	32	P17	G	General-purpose I/O port
		TO1		16-bit reload timer ch. 1 output pin
		SNI0		Trigger input pin for the position detection function of the MPG waveform sequencer
29	1	PF2	A	General-purpose I/O port
		$\overline{\text{RST}}$		Reset pin Dedicated reset pin in MB95F332H/F333H/F334H

(Continued)

(Continued)

Pin no.		Pin name	I/O circuit type ^{*4}	Function
LQFP32 ^{*1} & QFN32 ^{*2}	SH-DIP32 ^{*3}			
30	2	PF0	B	General-purpose I/O port
		X0		Main clock input oscillation pin
31	3	PF1	B	General-purpose I/O port
		X1		Main clock I/O oscillation pin
32	4	V _{SS}	—	Power supply pin (GND)

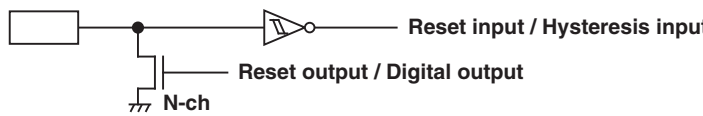
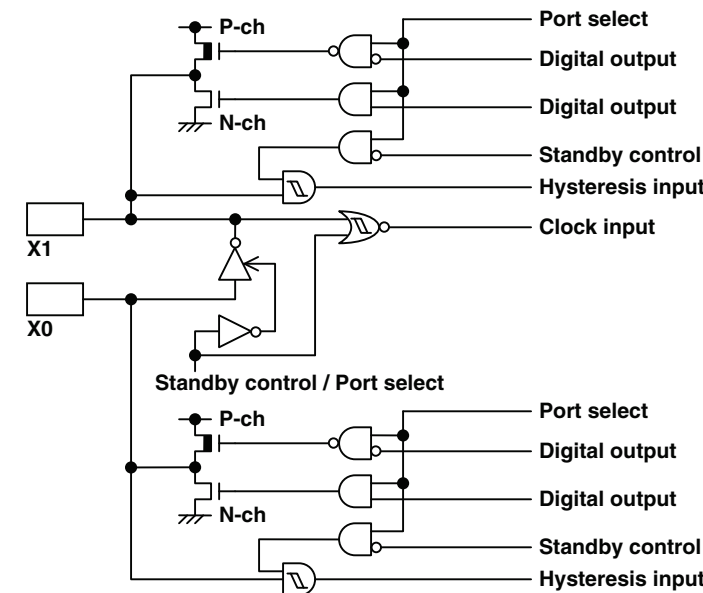
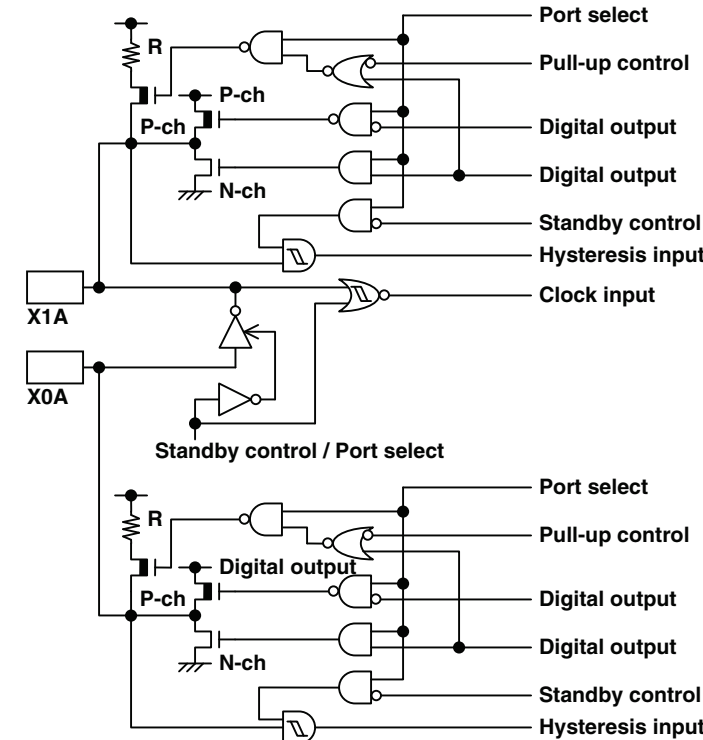
*1: Package code: FPT-32P-M30

*2: Package code: LCC-32P-M19

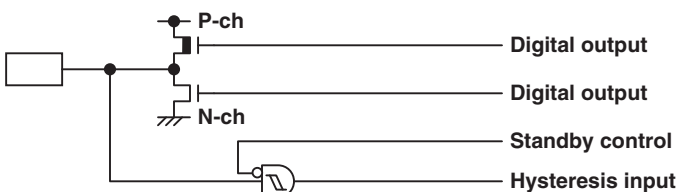
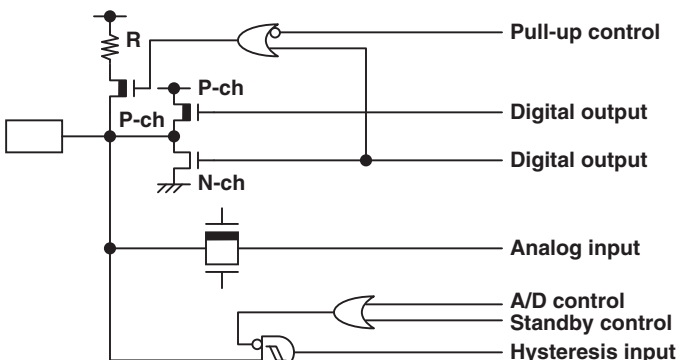
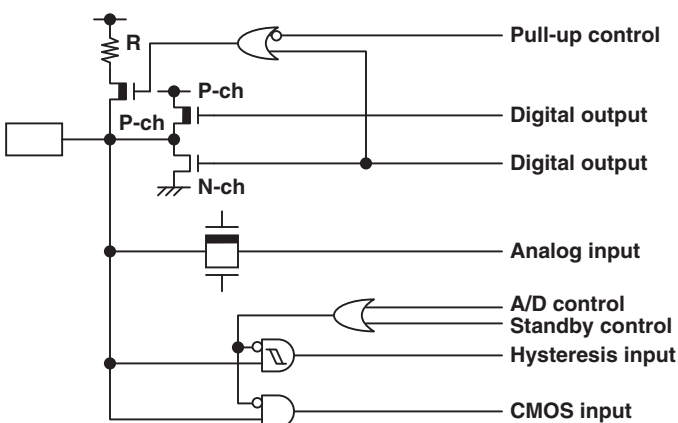
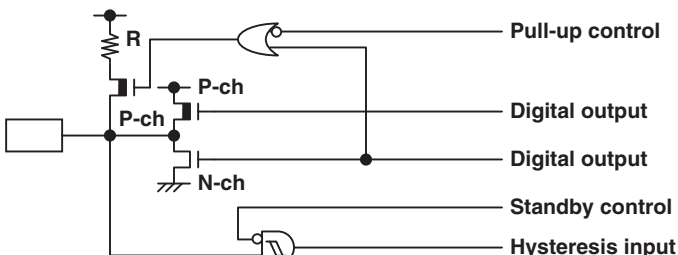
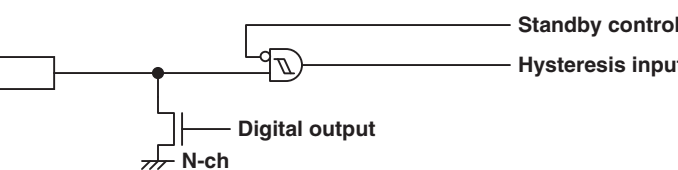
*3: Package code: DIP-32P-M06

*4: For the I/O circuit types, see "I/O Circuit Type".

6. I/O Circuit Type

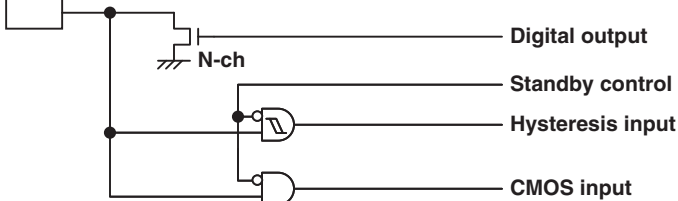
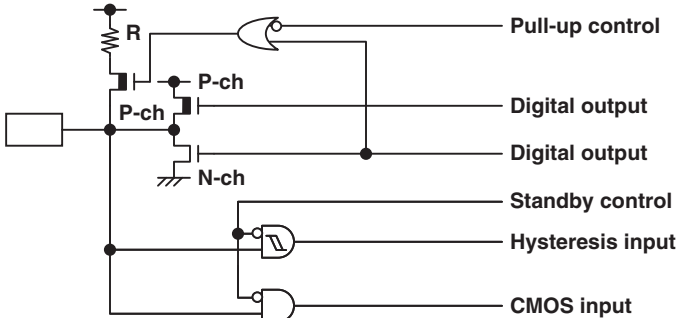
Type	Circuit	Remarks
A		<ul style="list-style-type: none"> ■ N-ch open drain output ■ Hysteresis input ■ Reset output
B		<ul style="list-style-type: none"> ■ Oscillation circuit ■ High-speed side Feedback resistance: approx. 1 MΩ ■ CMOS output ■ Hysteresis input
C		<ul style="list-style-type: none"> ■ Oscillation circuit ■ Low-speed side Feedback resistance: approx. 10 MΩ ■ CMOS output ■ Hysteresis input ■ Pull-up control available

(Continued)

Type	Circuit	Remarks
D		<ul style="list-style-type: none"> ■ CMOS output ■ Hysteresis input
E		<ul style="list-style-type: none"> ■ CMOS output ■ Hysteresis input ■ Pull-up control available
F		<ul style="list-style-type: none"> ■ CMOS output ■ Hysteresis input ■ CMOS input ■ Pull-up control available
G		<ul style="list-style-type: none"> ■ Hysteresis input ■ CMOS output ■ Pull-up control available
H		<ul style="list-style-type: none"> ■ N-ch open drain output ■ Hysteresis input

(Continued)

(Continued)

Type	Circuit	Remarks
I		<ul style="list-style-type: none"> ■ N-ch open drain output ■ Hysteresis input ■ CMOS input
J		<ul style="list-style-type: none"> ■ CMOS output ■ Hysteresis input ■ CMOS input ■ Pull-up control available

7. Notes On Device Handling

■ Preventing latch-ups

When using the device, ensure that the voltage applied does not exceed the maximum voltage rating.

In a CMOS IC, if a voltage higher than V_{CC} or a voltage lower than V_{SS} is applied to an input/output pin that is neither a medium-withstand voltage pin nor a high-withstand voltage pin, or if a voltage out of the rating range of power supply voltage mentioned in "13.1 Absolute Maximum Ratings" of "■ Electrical Characteristics" is applied to the V_{CC} pin or the V_{SS} pin, a latch-up may occur.

When a latch-up occurs, power supply current increases significantly, which may cause a component to be thermally destroyed.

■ Stabilizing supply voltage

Supply voltage must be stabilized.

A malfunction may occur when power supply voltage fluctuates rapidly even though the fluctuation is within the guaranteed operating range of the V_{CC} power supply voltage.

As a rule of voltage stabilization, suppress voltage fluctuation so that the fluctuation in V_{CC} ripple (p-p value) at the commercial frequency (50 Hz/60 Hz) does not exceed 10% of the standard V_{CC} value, and the transient fluctuation rate does not exceed 0.1 V/ms at a momentary fluctuation such as switching the power supply.

■ Notes on using the external clock

When an external clock is used, oscillation stabilization wait time is required for power-on reset, wake-up from subclock mode or stop mode.

8. Pin Connection

■ Treatment of unused pins

If an unused input pin is left unconnected, a component may be permanently damaged due to malfunctions or latch-ups. Always pull up or pull down an unused input pin through a resistor of at least 2 k Ω . Set an unused input/output pin to the output state and leave it unconnected, or set it to the input state and treat it the same as an unused input pin. If there is an unused output pin, leave it unconnected.

■ Power supply pins

To reduce unnecessary electro-magnetic emission, prevent malfunctions of strobe signals due to an increase in the ground level, and conform to the total output current standard, always connect the V_{CC} pin and the V_{SS} pin to the power supply and ground outside the device. In addition, connect the current supply source to the V_{CC} pin and the V_{SS} pin with low impedance.

It is also advisable to connect a ceramic capacitor of approximately 0.1 μF as a bypass capacitor between the V_{CC} pin and the V_{SS} pin at a location close to this device.

■ DBG pin

Connect the DBG pin directly to an external pull-up resistor.

To prevent the device from unintentionally entering the debug mode due to noise, minimize the distance between the DBG pin and the V_{CC} or V_{SS} pin when designing the layout of the printed circuit board.

The DBG pin should not stay at “L” level after power-on until the reset output is released.

■ $\overline{\text{RST}}$ pin

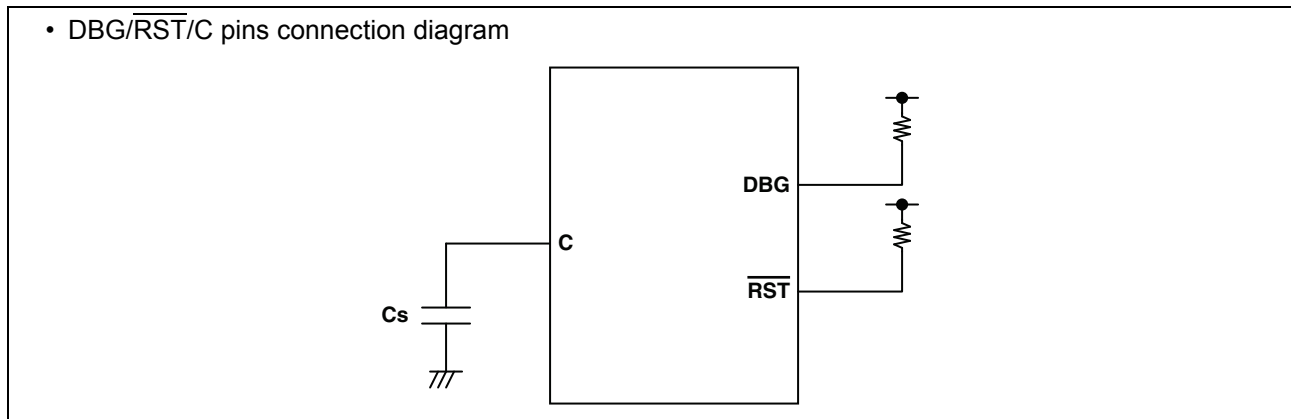
Connect the $\overline{\text{RST}}$ pin directly to an external pull-up resistor.

To prevent the device from unintentionally entering the reset mode due to noise, minimize the distance between the $\overline{\text{RST}}$ pin and the V_{CC} or V_{SS} pin when designing the layout of the printed circuit board.

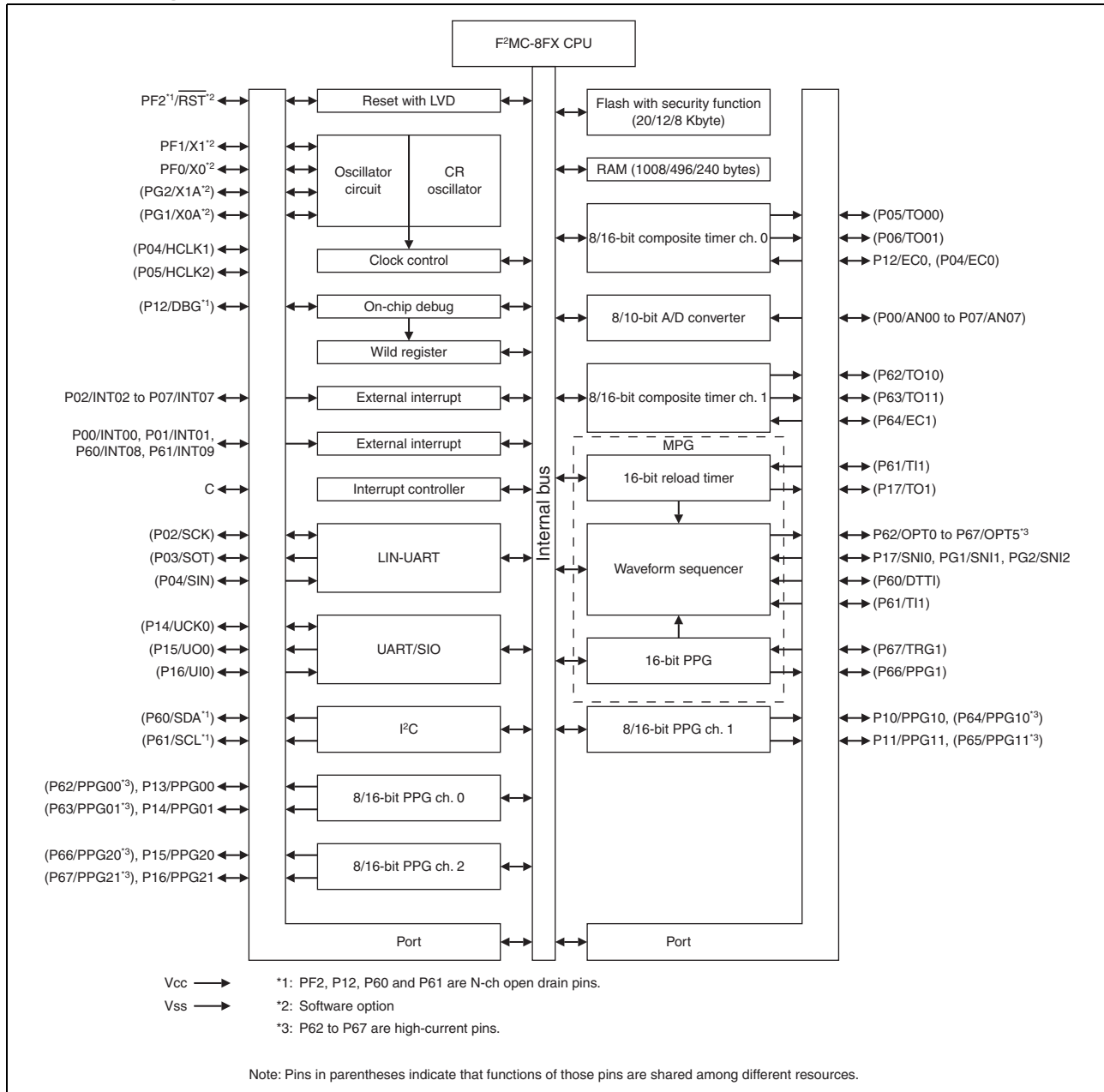
The $\overline{\text{RST}}$ /PF2 pin functions as the reset input/output pin after power-on. In addition, the reset output of the $\overline{\text{RST}}$ /PF2 pin can be enabled by the RSTOE bit of the SYSC register, and the reset input function and the general purpose I/O function can be selected by the RSTEN bit of the SYSC register.

■ C pin

Use a ceramic capacitor or a capacitor with equivalent frequency characteristics. The bypass capacitor for the V_{CC} pin must have a capacitance larger than C_S . For the connection to a smoothing capacitor C_S , see the diagram below. To prevent the device from unintentionally entering a mode to which the device is not set to transit due to noise, minimize the distance between the C pin and C_S and the distance between C_S and the V_{SS} pin when designing the layout of a printed circuit board.



9. Block Diagram



10. CPU Core

Memory Space

The memory space of the MB95330H Series is 64 Kbyte in size, and consists of an I/O area, a data area, and a program area. The memory space includes areas intended for specific purposes such as general-purpose registers and a vector table. The memory maps of the MB95330H Series are shown below.

■ Memory Maps

MB95F332H/F332K		MB95F333H/F333K		MB95F334H/F334K	
0000 _H	I/O	0000 _H	I/O	0000 _H	I/O
0080 _H	Access prohibited	0080 _H	Access prohibited	0080 _H	Access prohibited
0090 _H	RAM 240 bytes	0090 _H	RAM 496 bytes	0090 _H	RAM 1008 bytes
0100 _H	Register	0100 _H	Register	0100 _H	Register
0180 _H	Access prohibited	0200 _H	Access prohibited	0200 _H	Access prohibited
0F80 _H	Extended I/O	0F80 _H	Extended I/O	0F80 _H	Extended I/O
1000 _H	Access prohibited	1000 _H	Access prohibited	1000 _H	Access prohibited
B000 _H	Flash 4 Kbyte	B000 _H	Flash 4 Kbyte	B000 _H	Flash 20 Kbyte
C000 _H	Access prohibited	C000 _H	Access prohibited	FFFF _H	Flash 20 Kbyte
F000 _H	Flash 4 Kbyte	E000 _H	Flash 8 Kbyte		
FFFF _H		FFFF _H			

11. I/O Map

Address	Register abbreviation	Register name	R/W	Initial value
0000 _H	PDR0	Port 0 data register	R/W	00000000 _B
0001 _H	DDR0	Port 0 direction register	R/W	00000000 _B
0002 _H	PDR1	Port 1 data register	R/W	00000000 _B
0003 _H	DDR1	Port 1 direction register	R/W	00000000 _B
0004 _H	—	(Disabled)	—	—
0005 _H	WATR	Oscillation stabilization wait time setting register	R/W	11111111 _B
0006 _H	—	(Disabled)	—	—
0007 _H	SYCC	System clock control register	R/W	0000X011 _B
0008 _H	STBC	Standby control register	R/W	00000XXX _B
0009 _H	RSRR	Reset source register	R/W	XXXXXXXX _B
000A _H	TBTC	Time-base timer control register	R/W	00000000 _B
000B _H	WPCR	Watch prescaler control register	R/W	00000000 _B
000C _H	WDTC	Watchdog timer control register	R/W	00XX0000 _B
000D _H	SYCC2	System clock control register 2	R/W	XX100011 _B
000E _H to 0015 _H	—	(Disabled)	—	—
0016 _H	PDR6	Port 6 data register	R/W	00000000 _B
0017 _H	DDR6	Port 6 direction register	R/W	00000000 _B
0018 _H to 0027 _H	—	(Disabled)	—	—
0028 _H	PDRF	Port F data register	R/W	00000000 _B
0029 _H	DDRF	Port F direction register	R/W	00000000 _B
002A _H	PDRG	Port G data register	R/W	00000000 _B
002B _H	DDRG	Port G direction register	R/W	00000000 _B
002C _H	PUL0	Port 0 pull-up register	R/W	00000000 _B
002D _H	PUL1	Port 1 pull-up register	R/W	00000000 _B
002E _H to 0034 _H	—	(Disabled)	—	—
0035 _H	PULG	Port G pull-up register	R/W	00000000 _B
0036 _H	T01CR1	8/16-bit composite timer 01 status control register 1 ch. 0	R/W	00000000 _B
0037 _H	T00CR1	8/16-bit composite timer 00 status control register 1 ch. 0	R/W	00000000 _B
0038 _H	T11CR1	8/16-bit composite timer 11 status control register 1 ch. 1	R/W	00000000 _B
0039 _H	T10CR1	8/16-bit composite timer 10 status control register 1 ch. 1	R/W	00000000 _B
003A _H	PC01	8/16-bit PPG timer 01 control register ch. 0	R/W	00000000 _B
003B _H	PC00	8/16-bit PPG timer 00 control register ch. 0	R/W	00000000 _B
003C _H	PC11	8/16-bit PPG timer 11 control register ch. 1	R/W	00000000 _B
003D _H	PC10	8/16-bit PPG timer 10 control register ch. 1	R/W	00000000 _B
003E _H	PC21	8/16-bit PPG timer 21 control register ch. 2	R/W	00000000 _B
003F _H	PC20	8/16-bit PPG timer 20 control register ch. 2	R/W	00000000 _B

(Continued)

Address	Register abbreviation	Register name	R/W	Initial value
0040 _H	TMCSRH1	16-bit reload timer control status register upper ch. 1	R/W	00000000 _B
0041 _H	TMCSRL1	16-bit reload timer control status register lower ch. 1	R/W	00000000 _B
0042 _H , 0043 _H	—	(Disabled)	—	—
0044 _H	PCNTH1	16-bit PPG status control register upper ch. 1	R/W	00000000 _B
0045 _H	PCNTL1	16-bit PPG status control register lower ch. 1	R/W	00000000 _B
0046 _H , 0047 _H	—	(Disabled)	—	—
0048 _H	EIC00	External interrupt circuit control register ch. 0/ch. 1	R/W	00000000 _B
0049 _H	EIC10	External interrupt circuit control register ch. 2/ch. 3	R/W	00000000 _B
004A _H	EIC20	External interrupt circuit control register ch. 4/ch. 5	R/W	00000000 _B
004B _H	EIC30	External interrupt circuit control register ch. 6/ch. 7	R/W	00000000 _B
004C _H	EIC01	External interrupt circuit control register ch. 8/ch. 9	R/W	00000000 _B
004D _H to 004F _H	—	(Disabled)	—	—
0050 _H	SCR	LIN-UART serial control register	R/W	00000000 _B
0051 _H	SMR	LIN-UART serial mode register	R/W	00000000 _B
0052 _H	SSR	LIN-UART serial status register	R/W	00001000 _B
0053 _H	RDR/TDR	LIN-UART receive/transmit data register	R/W	00000000 _B
0054 _H	ESCR	LIN-UART extended status control register	R/W	00000100 _B
0055 _H	ECCR	LIN-UART extended communication control register	R/W	000000XX _B
0056 _H	SMC10	UART/SIO serial mode control register 1 ch. 0	R/W	00000000 _B
0057 _H	SMC20	UART/SIO serial mode control register 2 ch. 0	R/W	00100000 _B
0058 _H	SSR0	UART/SIO serial status and data register ch. 0	R/W	00000001 _B
0059 _H	TDR0	UART/SIO serial output data register ch. 0	R/W	00000000 _B
005A _H	RDR0	UART/SIO serial input data register ch. 0	R	00000000 _B
005B _H to 005F _H	—	(Disabled)	—	—
0060 _H	IBCR00	I ² C bus control register 0	R/W	00000000 _B
0061 _H	IBCR10	I ² C bus control register 1	R/W	00000000 _B
0062 _H	IBSR0	I ² C bus status register	R/W	00000000 _B
0063 _H	IDDR0	I ² C data register	R/W	00000000 _B
0064 _H	IAAR0	I ² C address register	R/W	00000000 _B
0065 _H	ICCR0	I ² C clock control register	R/W	00000000 _B
0066 _H	OPCUR	16-bit MPG output control register (upper)	R/W	00000000 _B
0067 _H	OPCLR	16-bit MPG output control register (lower)	R/W	00000000 _B
0068 _H	IPCUR	16-bit MPG input control register (upper)	R/W	00000000 _B
0069 _H	IPCLR	16-bit MPG input control register (lower)	R/W	00000000 _B

(Continued)

Address	Register abbreviation	Register name	R/W	Initial value
006A _H	NCCR	16-bit MPG noise cancellation control register	R/W	00000000 _B
006B _H	TCSR	16-bit MPG timer control status register	R/W	00000000 _B
006C _H	ADC1	8/10-bit A/D converter control register 1	R/W	00000000 _B
006D _H	ADC2	8/10-bit A/D converter control register 2	R/W	00000000 _B
006E _H	ADDH	8/10-bit A/D converter data register (upper)	R/W	00000000 _B
006F _H	ADDL	8/10-bit A/D converter data register (lower)	R/W	00000000 _B
0070 _H	—	(Disabled)	—	—
0071 _H	FSR2	Flash memory status register 2	R/W	00000000 _B
0072 _H	FSR	Flash memory status register	R/W	00X0000 _B
0073 _H	SWRE0	Flash memory sector write control register 0	R/W	00000000 _B
0074 _H	FSR3	Flash memory status register 3	R	0000XXXX _B
0075 _H	—	(Disabled)	—	—
0076 _H	WREN	Wild register address compare enable register	R/W	00000000 _B
0077 _H	WROR	Wild register data test setting register	R/W	00000000 _B
0078 _H	—	Mirror of register bank pointer (RP) and mirror of direct bank pointer (DP)	—	—
0079 _H	ILR0	Interrupt level setting register 0	R/W	11111111 _B
007A _H	ILR1	Interrupt level setting register 1	R/W	11111111 _B
007B _H	ILR2	Interrupt level setting register 2	R/W	11111111 _B
007C _H	ILR3	Interrupt level setting register 3	R/W	11111111 _B
007D _H	ILR4	Interrupt level setting register 4	R/W	11111111 _B
007E _H	ILR5	Interrupt level setting register 5	R/W	11111111 _B
007F _H	—	(Disabled)	—	—
0F80 _H	WRARH0	Wild register address setting register (upper) ch. 0	R/W	00000000 _B
0F81 _H	WRARL0	Wild register address setting register (lower) ch. 0	R/W	00000000 _B
0F82 _H	WRDR0	Wild register data setting register ch. 0	R/W	00000000 _B
0F83 _H	WRARH1	Wild register address setting register (upper) ch. 1	R/W	00000000 _B
0F84 _H	WRARL1	Wild register address setting register (lower) ch. 1	R/W	00000000 _B
0F85 _H	WRDR1	Wild register data setting register ch. 1	R/W	00000000 _B
0F86 _H	WRARH2	Wild register address setting register (upper) ch. 2	R/W	00000000 _B
0F87 _H	WRARL2	Wild register address setting register (lower) ch. 2	R/W	00000000 _B
0F88 _H	WRDR2	Wild register data setting register ch. 2	R/W	00000000 _B
0F89 _H to 0F91 _H	—	(Disabled)	—	—

(Continued)

Address	Register abbreviation	Register name	R/W	Initial value
0F92 _H	T01CR0	8/16-bit composite timer 01 status control register 0 ch. 0	R/W	00000000 _B
0F93 _H	T00CR0	8/16-bit composite timer 00 status control register 0 ch. 0	R/W	00000000 _B
0F94 _H	T01DR	8/16-bit composite timer 01 data register ch. 0	R/W	00000000 _B
0F95 _H	T00DR	8/16-bit composite timer 00 data register ch. 0	R/W	00000000 _B
0F96 _H	TMCR0	8/16-bit composite timer 00/01 timer mode control register ch. 0	R/W	00000000 _B
0F97 _H	T11CR0	8/16-bit composite timer 11 status control register 0 ch. 1	R/W	00000000 _B
0F98 _H	T10CR0	8/16-bit composite timer 10 status control register 0 ch. 1	R/W	00000000 _B
0F99 _H	T11DR	8/16-bit composite timer 11 data register ch. 1	R/W	00000000 _B
0F9A _H	T10DR	8/16-bit composite timer 10 data register ch. 1	R/W	00000000 _B
0F9B _H	TMCR1	8/16-bit composite timer 10/11 timer mode control register ch. 1	R/W	00000000 _B
0F9C _H	PPS01	8/16-bit PPG01 cycle setting buffer register ch. 0	R/W	11111111 _B
0F9D _H	PPS00	8/16-bit PPG00 cycle setting buffer register ch. 0	R/W	11111111 _B
0F9E _H	PDS01	8/16-bit PPG01 duty setting buffer register ch. 0	R/W	11111111 _B
0F9F _H	PDS00	8/16-bit PPG00 duty setting buffer register ch. 0	R/W	11111111 _B
0FA0 _H	PPS11	8/16-bit PPG11 cycle setting buffer register ch. 1	R/W	11111111 _B
0FA1 _H	PPS10	8/16-bit PPG10 cycle setting buffer register ch. 1	R/W	11111111 _B
0FA2 _H	PDS11	8/16-bit PPG11 duty setting buffer register ch. 1	R/W	11111111 _B
0FA3 _H	PDS10	8/16-bit PPG10 duty setting buffer register ch. 1	R/W	11111111 _B
0FA4 _H	PPGS	8/16-bit PPG startup register	R/W	00000000 _B
0FA5 _H	REVC	8/16-bit PPG output reverse register	R/W	00000000 _B
0FA6 _H	PPS21	8/16-bit PPG21 cycle setting buffer register ch. 2	R/W	11111111 _B
0FA7 _H	PPS20	8/16-bit PPG20 cycle setting buffer register ch. 2	R/W	11111111 _B
0FA8 _H	TMRH1	16-bit timer register (upper) ch. 1	R/W	00000000 _B
	TMRLRH1	16-bit reload register (upper) ch. 1		
0FA9 _H	TMRL1	16-bit timer register (lower) ch. 1	R/W	00000000 _B
	TMRLRL1	16-bit reload register (lower) ch. 1		
0FAA _H	PDS21	8/16-bit PPG21 duty setting buffer register ch. 2	R/W	11111111 _B
0FAB _H	PDS20	8/16-bit PPG20 duty setting buffer register ch. 2	R/W	11111111 _B
0FAC _H to 0FAF _H	—	(Disabled)	—	—
0FB0 _H	PDCRH1	16-bit PPG down counter register (upper) ch. 1	R	00000000 _B
0FB1 _H	PDCRL1	16-bit PPG down counter register (lower) ch. 1	R	00000000 _B
0FB2 _H	PCSRH1	16-bit PPG cycle setting buffer register (upper) ch. 1	R/W	11111111 _B
0FB3 _H	PCSRL1	16-bit PPG cycle setting buffer register (lower) ch. 1	R/W	11111111 _B
0FB4 _H	PDUTH1	16-bit PPG duty setting buffer register (upper) ch. 1	R/W	11111111 _B
0FB5 _H	PDUTL1	16-bit PPG duty setting buffer register (lower) ch. 1	R/W	11111111 _B

(Continued)

Address	Register abbreviation	Register name	R/W	Initial value
0FB6 _H to 0FBB _H	—	(Disabled)	—	—
0FBC _H	BGR1	LIN-UART baud rate generator register 1	R/W	00000000 _B
0FBD _H	BGR0	LIN-UART baud rate generator register 0	R/W	00000000 _B
0FBE _H	PSSR0	UART/SIO dedicated baud rate generator prescaler select register ch. 0	R/W	00000000 _B
0FBF _H	BRSR0	UART/SIO dedicated baud rate generator baud rate setting register ch. 0	R/W	00000000 _B
0FC0 _H to 0FC2 _H	—	(Disabled)	—	—
0FC3 _H	AIDRL	A/D input disable register (lower)	R/W	00000000 _B
0FC4 _H	OPDBRH0	16-bit MPG output data buffer register (upper) ch. 0	R/W	00000000 _B
0FC5 _H	OPDBRL0	16-bit MPG output data buffer register (lower) ch. 0	R/W	00000000 _B
0FC6 _H	OPDBRH1	16-bit MPG output data buffer register (upper) ch. 1	R/W	00000000 _B
0FC7 _H	OPDBRL1	16-bit MPG output data buffer register (lower) ch. 1	R/W	00000000 _B
0FC8 _H	OPDBRH2	16-bit MPG output data buffer register (upper) ch. 2	R/W	00000000 _B
0FC9 _H	OPDBRL2	16-bit MPG output data buffer register (lower) ch. 2	R/W	00000000 _B
0FCA _H	OPDBRH3	16-bit MPG output data buffer register (upper) ch. 3	R/W	00000000 _B
0FCB _H	OPDBRL3	16-bit MPG output data buffer register (lower) ch. 3	R/W	00000000 _B
0FCC _H	OPDBRH4	16-bit MPG output data buffer register (upper) ch. 4	R/W	00000000 _B
0FCD _H	OPDBRL4	16-bit MPG output data buffer register (lower) ch. 4	R/W	00000000 _B
0FCE _H	OPDBRH5	16-bit MPG output data buffer register (upper) ch. 5	R/W	00000000 _B
0FCF _H	OPDBRL5	16-bit MPG output data buffer register (lower) ch. 5	R/W	00000000 _B
0FD0 _H	OPDBRH6	16-bit MPG output data buffer register (upper) ch. 6	R/W	00000000 _B
0FD1 _H	OPDBRL6	16-bit MPG output data buffer register (lower) ch. 6	R/W	00000000 _B
0FD2 _H	OPDBRH7	16-bit MPG output data buffer register (upper) ch. 7	R/W	00000000 _B
0FD3 _H	OPDBRL7	16-bit MPG output data buffer register (lower) ch. 7	R/W	00000000 _B
0FD4 _H	OPDBRH8	16-bit MPG output data buffer register (upper) ch. 8	R/W	00000000 _B
0FD5 _H	OPDBRL8	16-bit MPG output data buffer register (lower) ch. 8	R/W	00000000 _B
0FD6 _H	OPDBRH9	16-bit MPG output data buffer register (upper) ch. 9	R/W	00000000 _B
0FD7 _H	OPDBRL9	16-bit MPG output data buffer register (lower) ch. 9	R/W	00000000 _B
0FD8 _H	OPDBRHA	16-bit MPG output data buffer register (upper) ch. A	R/W	00000000 _B
0FD9 _H	OPDBRLA	16-bit MPG output data buffer register (lower) ch. A	R/W	00000000 _B
0FDA _H	OPDBRHB	16-bit MPG output data buffer register (upper) ch. B	R/W	00000000 _B
0FDB _H	OPDBRLB	16-bit MPG output data buffer register (lower) ch. B	R/W	00000000 _B
0FDC _H	OPDUR	16-bit MPG output data register (upper)	R	0000XXXX _B
0FDD _H	OPDLR	16-bit MPG output data register (lower)	R	XXXXXXXX _B
0FDE _H	CPCUR	16-bit MPG compare clear register (upper)	R/W	XXXXXXXX _B
0FDF _H	CPCLR	16-bit MPG compare clear register (lower)	R/W	XXXXXXXX _B

(Continued)

(Continued)

Address	Register abbreviation	Register name	R/W	Initial value
0FE0 _H , 0FE1 _H	—	(Disabled)	—	—
0FE2 _H	TMBUR	16-bit MPG timer buffer register (upper)	R	XXXXXXXX _B
0FE3 _H	TMBLR	16-bit MPG timer buffer register (lower)	R	XXXXXXXX _B
0FE4 _H	CRTH	Main CR clock trimming register (upper)	R/W	0XXXXXXXX _B
0FE5 _H	CRTL	Main CR clock trimming register (lower)	R/W	00XXXXXXXX _B
0FE6 _H , 0FE7 _H	—	(Disabled)	—	—
0FE8 _H	SYSC	System configuration register	R/W	11000011 _B
0FE9 _H	CMCR	Clock monitoring control register	R/W	00000000 _B
0FEA _H	CMDR	Clock monitoring data register	R	00000000 _B
0FEB _H	WDTH	Watchdog timer selection ID register (upper)	R	XXXXXXXX _B
0FEC _H	WDTL	Watchdog timer selection ID register (lower)	R	XXXXXXXX _B
0FED _H	—	(Disabled)	—	—
0FEE _H	ILSR	Input level select register	R/W	00000000 _B
0FEF _H	WICR	Interrupt pin control register	R/W	01000000 _B
0FF0 _H to 0FFF _H	—	(Disabled)	—	—

■ R/W access symbols

- R/W : Readable / Writable
- R : Read only
- W : Write only

■ Initial value symbols

- 0 : The initial value of this bit is "0".
- 1 : The initial value of this bit is "1".
- X : The initial value of this bit is indeterminate.

Note: Do not write to an address that is "(Disabled)". If a "(Disabled)" address is read, an indeterminate value is returned.

13. Electrical Characteristics

13.1 Absolute Maximum Ratings

Parameter	Symbol	Rating		Unit	Remarks
		Min	Max		
Power supply voltage*1	V_{CC}	$V_{SS} - 0.3$	$V_{SS} + 6$	V	
Input voltage*1	V_I	$V_{SS} - 0.3$	$V_{SS} + 6$	V	*2
Output voltage*1	V_O	$V_{SS} - 0.3$	$V_{SS} + 6$	V	*2
Maximum clamp current	I_{CLAMP}	-2	+2	mA	Applicable to specific pins*3
Total maximum clamp current	$\sum I_{CLAMP} $	—	20	mA	Applicable to specific pins*3
"L" level maximum output current	I_{OL1}	—	15	mA	Other than P62 to P67
	I_{OL2}	—	15		P62 to P67
"L" level average current	I_{OLAV1}	—	4	mA	Other than P62 to P67 Average output current = operating current × operating ratio (1 pin)
	I_{OLAV2}	—	12		P62 to P67 Average output current = operating current × operating ratio (1 pin)
"L" level total maximum output current	$\sum I_{OL}$	—	100	mA	
"L" level total average output current	$\sum I_{OLAV}$	—	50	mA	Total average output current = operating current × operating ratio (Total number of pins)
"H" level maximum output current	I_{OH1}	—	-15	mA	Other than P62 to P67
	I_{OH2}	—	-15		P62 to P67
"H" level average current	I_{OHAV1}	—	-4	mA	Other than P62 to P67 Average output current = operating current × operating ratio (1 pin)
	I_{OHAV2}	—	-8		P62 to P67 Average output current = operating current × operating ratio (1 pin)
"H" level total maximum output current	$\sum I_{OH}$	—	-100	mA	
"H" level total average output current	$\sum I_{OHAV}$	—	-50	mA	Total average output current = operating current × operating ratio (Total number of pins)
Power consumption	P_d	—	320	mW	
Operating temperature	T_A	-40	+85	°C	
Storage temperature	T_{stg}	-55	+150	°C	

(Continued)

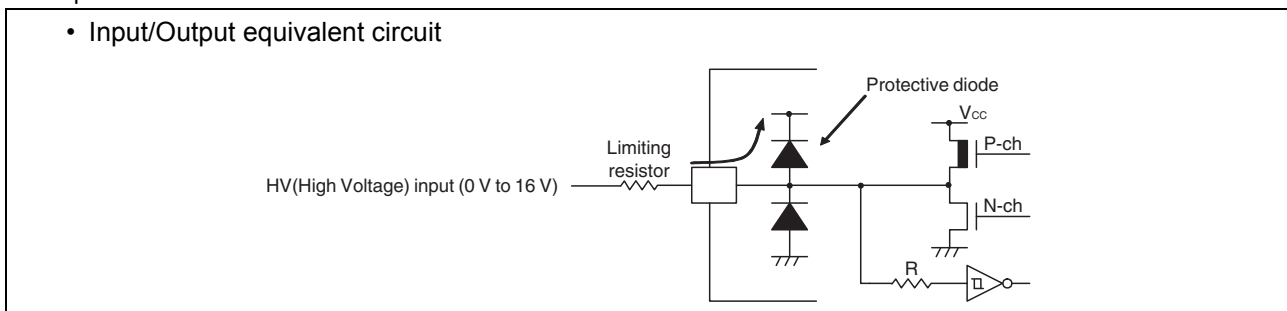
(Continued)

*1: The parameter is based on $V_{SS} = 0.0\text{ V}$.

*2: V_I and V_O must not exceed $V_{CC} + 0.3\text{ V}$. V_I must not exceed the rated voltage. However, if the maximum current to/from an input is limited by means of an external component, the I_{CLAMP} rating is used instead of the V_I rating.

*3: Applicable to the following pins: P00 to P07, P10, P11, P13 to P17, P62 to P67, PF0, PF1, PG1 and PG2

- Use under recommended operating conditions.
- Use with DC voltage (current).
- The HV (High Voltage) signal is an input signal exceeding the V_{CC} voltage. Always connect a limiting resistor between the HV (High Voltage) signal and the microcontroller before applying the HV (High Voltage) signal.
- The value of the limiting resistor should be set to a value at which the current to be input to the microcontroller pin when the HV (High Voltage) signal is input is below the standard value, irrespective of whether the current is transient current or stationary current.
- When the microcontroller drive current is low, such as in low power consumption modes, the HV (High Voltage) input potential may pass through the protective diode to increase the potential of the V_{CC} pin, affecting other devices.
- If the HV (High Voltage) signal is input when the microcontroller power supply is off (not fixed at 0 V), since power is supplied from the pins, incomplete operations may be executed.
- If the HV (High Voltage) input is input after power-on, since power is supplied from the pins, the voltage of power supply may not be sufficient to enable a power-on reset.
- Do not leave the HV (High Voltage) input pin unconnected.
- Example of a recommended circuit



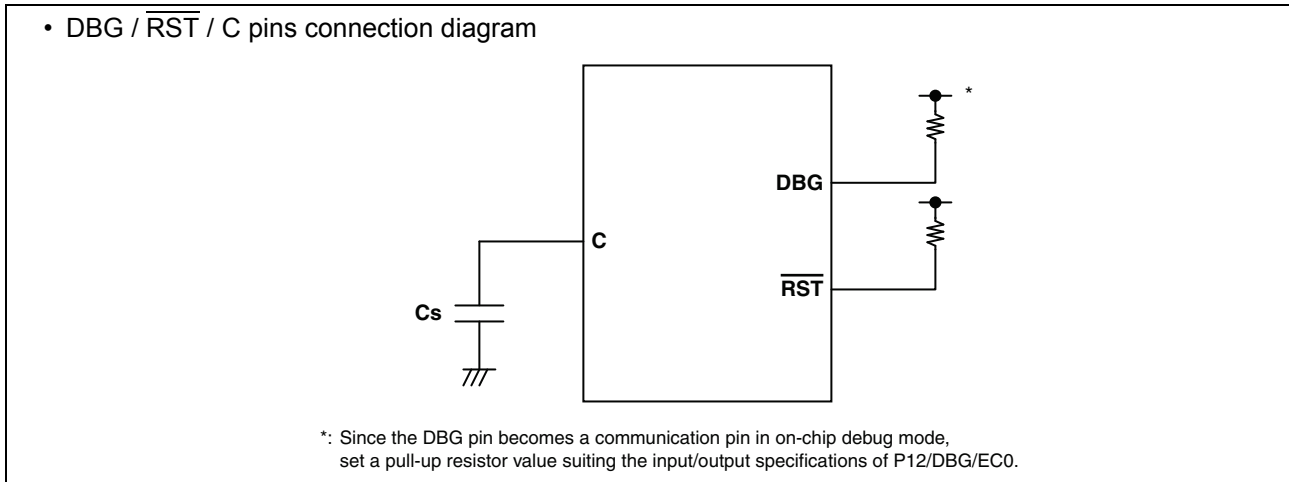
WARNING: Semiconductor devices can be permanently damaged by application of stress (voltage, current, temperature, etc.) in excess of absolute maximum ratings. Do not exceed these ratings.

13.2 Recommended Operating Conditions

($V_{SS} = 0.0\text{ V}$)

Parameter	Symbol	Value		Unit	Remarks	
		Min	Max			
Power supply voltage	V_{CC}	2.4*1*2	5.5*1	V	In normal operation	Other than on-chip debug mode
		2.3	5.5		Hold condition in stop mode	
		2.9	5.5		In normal operation	On-chip debug mode
		2.3	5.5		Hold condition in stop mode	
Smoothing capacitor	C_S	0.022	1	μF	*3	
Operating temperature	T_A	-40	+85	$^{\circ}\text{C}$	Other than on-chip debug mode	
		+5	+35		On-chip debug mode	

- *1: The value varies depending on the operating frequency, the machine clock and the analog guaranteed range.
- *2: This value becomes 2.88 V when the low-voltage detection reset is used.
- *3: Use a ceramic capacitor or a capacitor with equivalent frequency characteristics. The bypass capacitor for the V_{CC} pin must have a capacitance larger than C_S . For the connection to a smoothing capacitor C_S , see the diagram below. To prevent the device from unintentionally entering an unknown mode due to noise, minimize the distance between the C pin and C_S and the distance between C_S and the V_{SS} pin when designing the layout of a printed circuit board.



WARNING: The recommended operating conditions are required in order to ensure the normal operation of the semiconductor device. All of the device's electrical characteristics are warranted when the device is operated within these ranges.

Always use semiconductor devices within their recommended operating condition ranges. Operation outside these ranges may adversely affect reliability and could result in device failure.

No warranty is made with respect to uses, operating conditions, or combinations not represented on the data sheet. Users considering application outside the listed conditions are advised to contact their representatives beforehand.

13.3 DC Characteristics

($V_{CC} = 5.0 V \pm 10\%$, $V_{SS} = 0.0 V$, $T_A = -40^\circ C$ to $+85^\circ C$)

Parameter	Symbol	Pin name	Condition	Value			Unit	Remarks
				Min	Typ	Max		
"H" level input voltage	V_{IH1}	P04, P16, P60, P61	*1	$0.7 V_{CC}$	—	$V_{CC} + 0.3$	V	When CMOS input level (hysteresis input) is selected
	V_{IHS}	P00 to P07, P10 to P17, P60 to P67, PF0, PF1, PG1, PG2	*1	$0.8 V_{CC}$	—	$V_{CC} + 0.3$	V	Hysteresis input
	V_{IHM}	PF2	—	$0.7 V_{CC}$	—	$V_{CC} + 0.3$	V	Hysteresis input
"L" level input voltage	V_{IL}	P04, P16, P60, P61	*1	$V_{SS} - 0.3$	—	$0.3 V_{CC}$	V	When CMOS input level (hysteresis input) is selected
	V_{ILS}	P00 to P07, P10 to P17, P60 to P67, PF0, PF1, PG1, PG2	*1	$V_{SS} - 0.3$	—	$0.2 V_{CC}$	V	Hysteresis input
	V_{ILM}	PF2	—	$V_{SS} - 0.3$	—	$0.3 V_{CC}$	V	Hysteresis input
Open-drain output application voltage	V_D	P12, P60, P61, PF2	—	$V_{SS} - 0.3$	—	$V_{SS} + 5.5$	V	
"H" level output voltage	V_{OH1}	Output pins other than P12, P60 to P67, PF2	$I_{OH} = -4 \text{ mA}$	$V_{CC} - 0.5$	—	—	V	
	V_{OH2}	P62 to P67	$I_{OH} = -8 \text{ mA}$	$V_{CC} - 0.5$	—	—	V	
"L" level output voltage	V_{OL1}	Output pins other than P62 to P67	$I_{OL} = 4 \text{ mA}$	—	—	0.4	V	
	V_{OL2}	P62 to P67	$I_{OL} = 12 \text{ mA}$	—	—	0.4	V	
Input leak current (Hi-Z output leak current)	I_{LI}	All input pins	$0.0 V < V_I < V_{CC}$	-5	—	+5	μA	When pull-up resistance is disabled
Pull-up resistance	R_{PULL}	P00 to P07, P10, P11, P13 to P17, PG1, PG2	$V_I = 0 V$	25	50	100	$k\Omega$	When pull-up resistance is enabled
Input capacitance	C_{IN}	Other than V_{CC} and V_{SS}	$f = 1 \text{ MHz}$	—	5	15	pF	

(Continued)

$(V_{CC} = 5.0 V \pm 10\%, V_{SS} = 0.0 V, T_A = -40^\circ C \text{ to } +85^\circ C)$

Parameter	Symbol	Pin name	Condition	Value			Unit	Remarks
				Min	Typ	Max		
Power supply current*2	I _{CC}	V _{CC}	V _{CC} = 5.5 V F _{CH} = 32 MHz F _{MP} = 16 MHz Main clock mode (divided by 2)	—	13	17	mA	Flash memory product (except writing and erasing)
			—	20.5	26.5	mA	Flash memory product (at writing and erasing)	
			—	15	21	mA	At A/D conversion	
	I _{CCS}	V _{CC}	V _{CC} = 5.5 V F _{CH} = 32 MHz F _{MP} = 16 MHz Main sleep mode (divided by 2)	—	5.5	9	mA	
	I _{CCL}	V _{CC} (External clock operation)	V _{CC} = 5.5 V F _{CL} = 32 kHz F _{MPL} = 16 kHz Subclock mode (divided by 2) T _A = +25°C	—	65	153	μA	
	I _{CCLS}	V _{CC}	V _{CC} = 5.5 V F _{CL} = 32 kHz F _{MPL} = 16 kHz Subsleep mode (divided by 2) T _A = +25°C	—	10	84	μA	
	I _{CCT}	V _{CC}	V _{CC} = 5.5 V F _{CL} = 32 kHz Watch mode Main stop mode T _A = +25°C	—	5	30	μA	
	I _{CCMCR}	V _{CC}	V _{CC} = 5.5 V F _{CRH} = 12.5 MHz F _{MP} = 12.5 MHz Main CR clock mode	—	10	13.2	mA	
I _{CCSCR}	V _{CC} = 5.5 V Sub-CR clock mode (divided by 2) T _A = +25°C		—	110	410	μA		

(Continued)

(Continued)

 ($V_{CC} = 5.0\text{ V} \pm 10\%$, $V_{SS} = 0.0\text{ V}$, $T_A = -40^\circ\text{C}$ to $+85^\circ\text{C}$)

Parameter	Symbol	Pin name	Condition	Value			Unit	Remarks
				Min	Typ	Max		
Power supply current*2	I_{CCTS}	V_{CC} (External clock operation)	$V_{CC} = 5.5\text{ V}$ $F_{CH} = 32\text{ MHz}$ Time-base timer mode $T_A = +25^\circ\text{C}$	—	1.1	3	mA	
	I_{CCH}		$V_{CC} = 5.5\text{ V}$ Substop mode $T_A = +25^\circ\text{C}$	—	3.5	22.5	μA	
	I_{LVD}	V_{CC}	Current consumption for low-voltage detection circuit only	—	37	54	μA	
	I_{CRH}		Current consumption for the main CR oscillator	—	0.5	0.6	mA	
	I_{CRL}		Current consumption for the sub-CR oscillator oscillating at 100 kHz	—	20	72	μA	

*1: The input levels of P04, P16, P60 and P61 can be switched between "CMOS input level" and "hysteresis input level". The input level selection register (ILSR) is used to switch between the two input levels.

*2: • The power supply current is determined by the external clock. When the low-voltage detection option is selected, the power-supply current will be the sum of adding the current consumption of the low-voltage detection circuit (I_{LVD}) to one of the value from I_{CC} to I_{CCH} . In addition, when both the low-voltage detection option and the CR oscillator are selected, the power supply current will be the sum of adding up the current consumption of the low-voltage detection circuit, the current consumption of the CR oscillators (I_{CRH} , I_{CRL}) and a specified value. In on-chip debug mode, the CR oscillator (I_{CRH}) and the low-voltage detection circuit are always enabled, and current consumption therefore increases accordingly.

- See "4. AC Characteristics: (1) Clock Timing" for F_{CH} and F_{CL} .
- See "4. AC Characteristics: (2) Source Clock/Machine Clock" for F_{MP} and F_{MPL} .

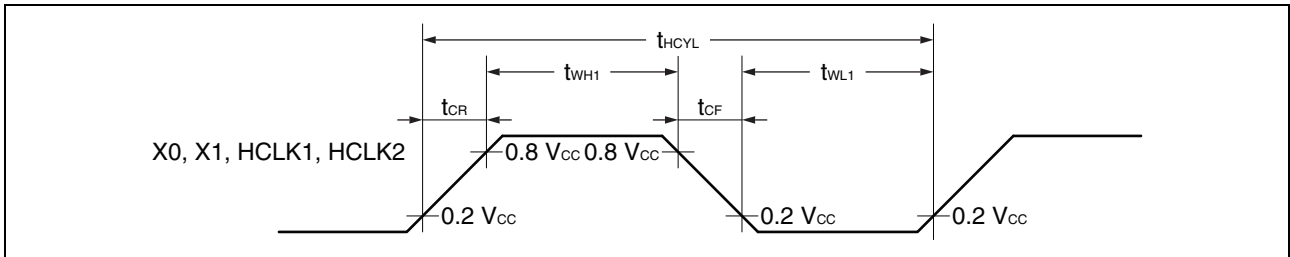
13.4 AC Characteristics

13.4.1 Clock Timing

 $(V_{CC} = 2.4\text{ V to } 5.5\text{ V}, V_{SS} = 0.0\text{ V}, T_A = -40^\circ\text{C to } +85^\circ\text{C})$

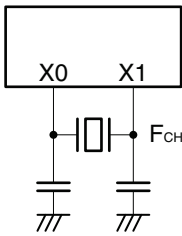
Parameter	Symbol	Pin name	Condition	Value			Unit	Remarks		
				Min	Typ	Max				
Clock frequency	F_{CH}	X0, X1	—	1	—	16.25	MHz	When the main oscillation circuit is used		
		X0	X1: open	1	—	12	MHz	When the main external clock is used		
		X0, X1	*	1	—	32.5	MHz			
		HCLK1, HCLK2	—	1	—	32.5	MHz			
	F_{CRH}	—	—	—	12.25	12.5	12.75	MHz	When the main CR clock is used $T_A = -10^\circ\text{C to } +85^\circ\text{C}$	
					9.8	10	10.2	MHz		
					7.84	8	8.16	MHz		
					0.98	1	1.02	MHz		
		—	—	—	—	12.1875	12.5	12.8125	MHz	When the main CR clock is used $T_A = -40^\circ\text{C to } -10^\circ\text{C}$
						9.75	10	10.25	MHz	
						7.8	8	8.2	MHz	
						0.975	1	1.025	MHz	
F_{CL}	X0A, X1A	—	—	—	32.768	—	kHz	When the sub-oscillation circuit is used		
				—	32.768	—	kHz	When the sub-external clock is used		
F_{CRL}	—	—	—	50	100	200	kHz	When the sub-CR clock is used		
Clock cycle time	t_{HCYL}	X0, X1	—	61.5	—	1000	ns	When the main oscillation circuit is used		
		X0	X1: open	83.4	—	1000	ns	When the external clock is used		
		X0, X1	*	30.8	—	1000	ns			
		HCLK1, HCLK2	—	30.8	—	1000	ns			
	t_{LCYL}	X0A, X1A	—	—	30.5	—	μs	When the subclock is used		
Input clock pulse width	t_{WH1} t_{WL1}	X0	X1: open	33.4	—	—	ns	When the external clock is used, the duty ratio should range between 40% and 60%.		
		X0, X1	*	12.4	—	—	ns			
	t_{WH2} t_{WL2}	X0A	—	—	15.2	—	μs			
Input clock rise time and fall time	t_{CR} t_{CF}	X0	X1: open	—	—	5	ns	When the external clock is used		
		X0, X1	*	—	—	5	ns			
	t_{CF}	HCLK1, HCLK2	—	—	—	5	ns			
CR oscillation start time	t_{CRHWK}	—	—	—	—	80	μs	When the main CR clock is used		
	t_{CRLWK}	—	—	—	—	10	μs	When the sub-CR clock is used		

*: The external clock signal is input to X0 and the inverted external clock signal to X1.

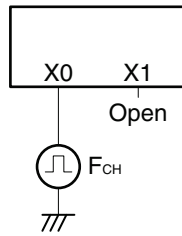


• Figure of main clock input port external connection

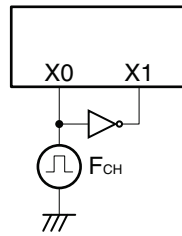
When a crystal oscillator or a ceramic oscillator is used



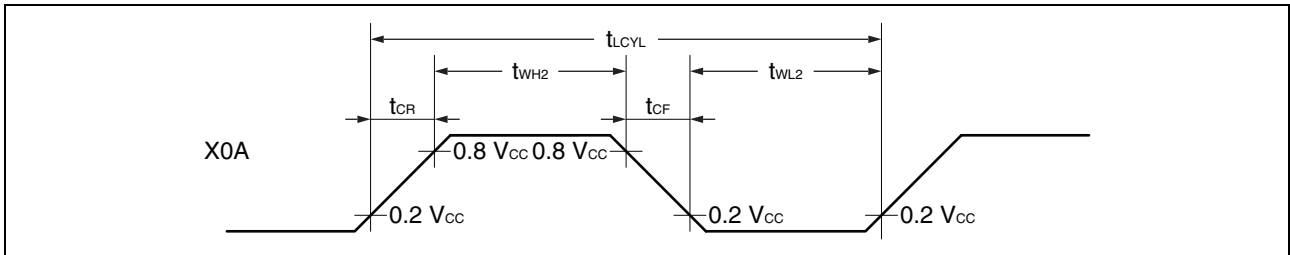
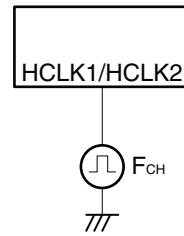
When the external clock is used (X1 is open)



When the external clock is used

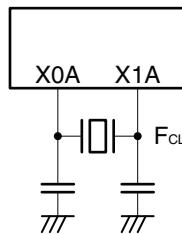


When the external clock is used

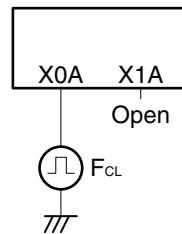


• Figure of subclock input port external connection

When a crystal oscillator or a ceramic oscillator is used



When the external clock is used



13.4.2 Source Clock/Machine Clock
 $(V_{CC} = 5.0\text{ V} \pm 10\%, V_{SS} = 0.0\text{ V}, T_A = -40^\circ\text{C to } +85^\circ\text{C})$

Parameter	Symbol	Pin name	Value			Unit	Remarks
			Min	Typ	Max		
Source clock cycle time*1	t_{SCLK}	—	61.5	—	2000	ns	When the main external clock is used Min: $F_{CH} = 32.5\text{ MHz}$, divided by 2 Max: $F_{CH} = 1\text{ MHz}$, divided by 2
			80	—	1000	ns	When the main CR clock is used Min: $F_{CRH} = 12.5\text{ MHz}$ Max: $F_{CRH} = 1\text{ MHz}$
			—	61	—	μs	When the sub-oscillation clock is used $F_{CL} = 32.768\text{ kHz}$, divided by 2
			—	20	—	μs	When the sub-CR clock is used $F_{CRL} = 100\text{ kHz}$, divided by 2
Source clock frequency	F_{SP}	—	0.5	—	16.25	MHz	When the main oscillation clock is used
			1	—	12.5	MHz	When the main CR clock is used
	—		16.384	—	kHz	When the sub-oscillation clock is used	
	F_{SPL}		—	50	—	kHz	When the sub-CR clock is used $F_{CRL} = 100\text{ kHz}$, divided by 2
Machine clock cycle time*2 (minimum instruction execution time)	t_{MCLK}	—	61.5	—	32000	ns	When the main oscillation clock is used Min: $F_{SP} = 16.25\text{ MHz}$, no division Max: $F_{SP} = 0.5\text{ MHz}$, divided by 16
			80	—	16000	ns	When the main CR clock is used Min: $F_{SP} = 12.5\text{ MHz}$ Max: $F_{SP} = 1\text{ MHz}$, divided by 16
			61	—	976.5	μs	When the sub-oscillation clock is used Min: $F_{SPL} = 16.384\text{ kHz}$, no division Max: $F_{SPL} = 16.384\text{ kHz}$, divided by 16
			20	—	320	μs	When the sub-CR clock is used Min: $F_{SPL} = 50\text{ kHz}$, no division Max: $F_{SPL} = 50\text{ kHz}$, divided by 16
Machine clock frequency	F_{MP}	—	0.031	—	16.25	MHz	When the main oscillation clock is used
			0.0625	—	12.5	MHz	When the main CR clock is used
	F_{MPL}		1.024	—	16.384	kHz	When the sub-oscillation clock is used
			3.125	—	50	kHz	When the sub-CR clock is used $F_{CRL} = 100\text{ kHz}$

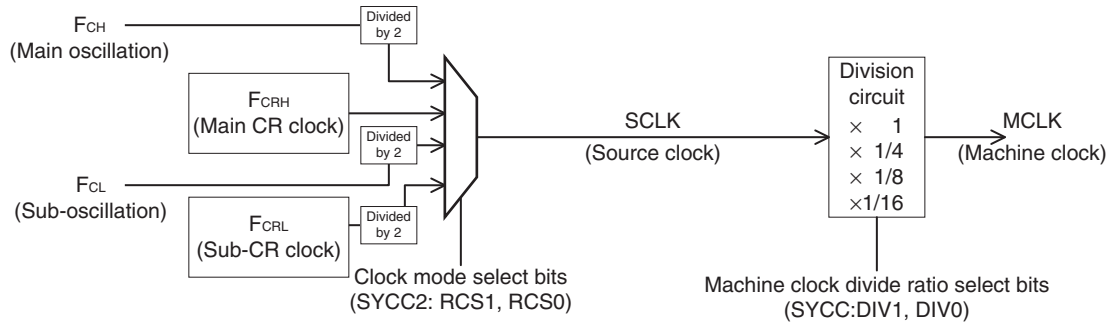
*1: This is the clock before it is divided according to the division ratio set by the machine clock divide ratio select bits (SYCC:DIV1 and DIV0). This source clock is divided to become a machine clock according to the divide ratio set by the machine clock divide ratio select bits (SYCC:DIV1 and DIV0). In addition, a source clock can be selected from the following.

- Main clock divided by 2
- Main CR clock
- Subclock divided by 2
- Sub-CR clock divided by 2

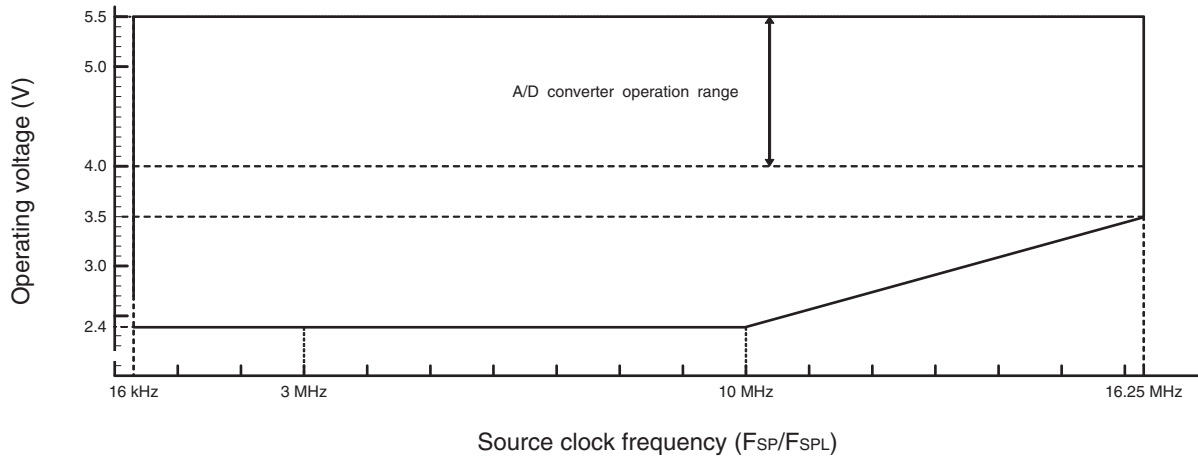
*2: This is the operating clock of the microcontroller. A machine clock can be selected from the following.

- Source clock (no division)
- Source clock divided by 4
- Source clock divided by 8
- Source clock divided by 16

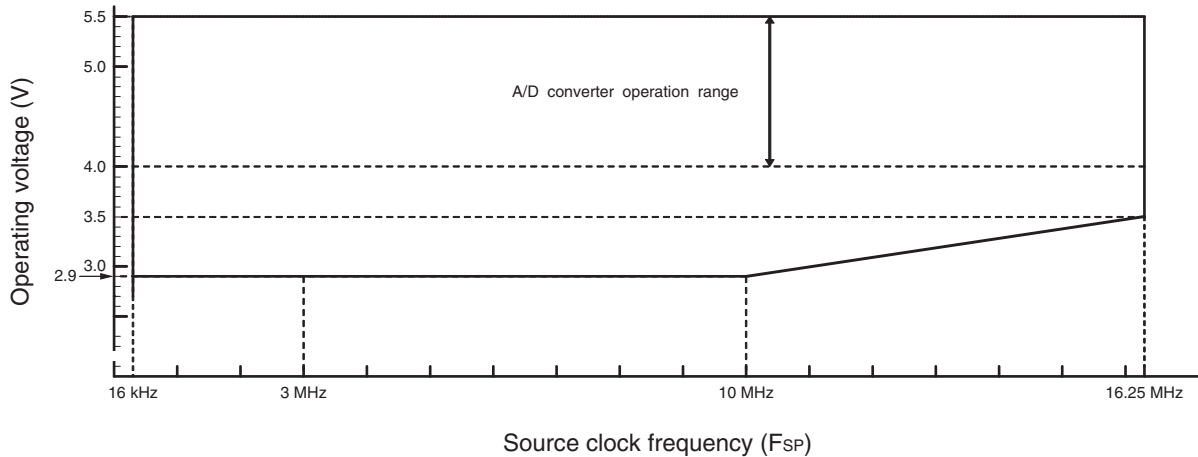
• Schematic diagram of the clock generation block



• Operating voltage - Operating frequency (When $T_A = -40^\circ\text{C}$ to $+85^\circ\text{C}$)
MB95330H (without the on-chip debug function)



• Operating voltage - Operating frequency (When $T_A = -40^\circ\text{C}$ to $+85^\circ\text{C}$)
MB95330H (with the on-chip debug function)



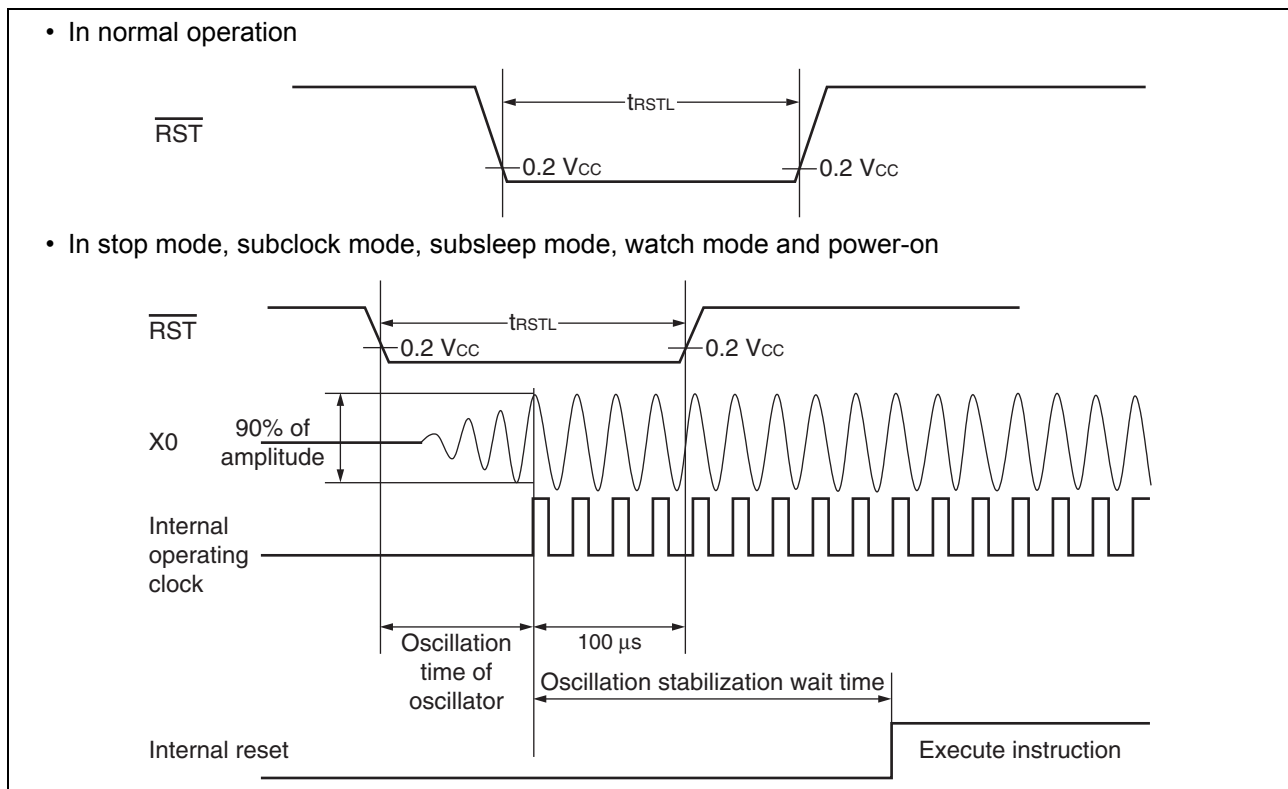
13.4.3 External Reset

($V_{CC} = 5.0\text{ V} \pm 10\%$, $V_{SS} = 0.0\text{ V}$, $T_A = -40^\circ\text{C}$ to $+85^\circ\text{C}$)

Parameter	Symbol	Value		Unit	Remarks
		Min	Max		
$\overline{\text{RST}}$ "L" level pulse width	t_{RSTL}	$2 t_{\text{MCLK}}^{*1}$	—	ns	In normal operation
		Oscillation time of the oscillator ^{*2} + 100	—	μs	In stop mode, subclock mode, subsleep mode, watch mode, and power-on
		100	—	μs	In time-base timer mode

*1: See "(2) Source Clock/Machine Clock" for t_{MCLK} .

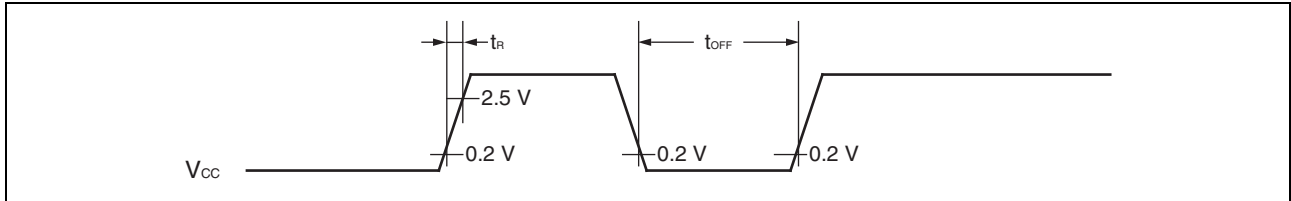
*2: The oscillation time of an oscillator is the time for it to reach 90% of its amplitude. The crystal oscillator has an oscillation time of between several ms and tens of ms. The ceramic oscillator has an oscillation time of between hundreds of μs and several ms. The external clock has an oscillation time of 0 ms. The CR oscillator clock has an oscillation time of between several μs and several ms.



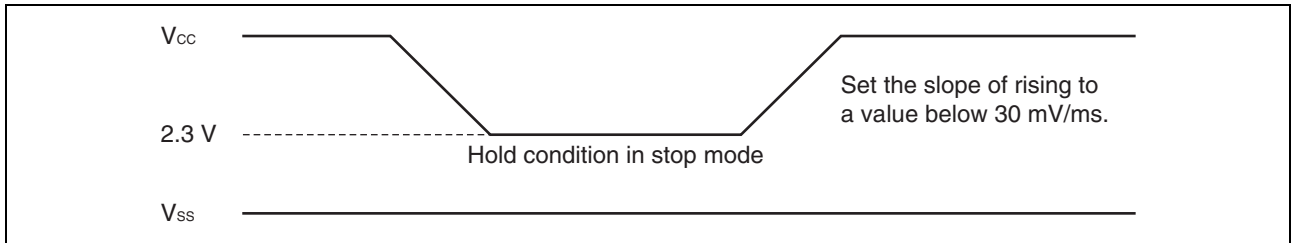
13.4.4 Power-on Reset

($V_{SS} = 0.0\text{ V}$, $T_A = -40^\circ\text{C}$ to $+85^\circ\text{C}$)

Parameter	Symbol	Condition	Value		Unit	Remarks
			Min	Max		
Power supply rising time	t_R	—	—	50	ms	
Power supply cutoff time	t_{OFF}	—	1	—	ms	Wait time until power-on



Note: A sudden change of power supply voltage may activate the power-on reset function. When changing the power supply voltage during the operation, set the slope of rising to a value below within 30 mV/ms as shown below.

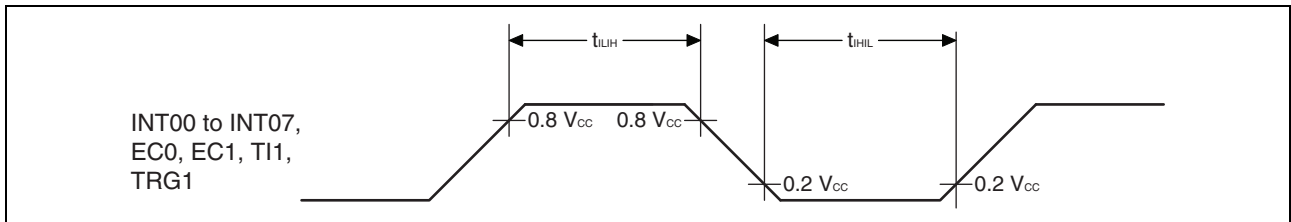


13.4.5 Peripheral Input Timing

($V_{CC} = 5.0\text{ V} \pm 10\%$, $V_{SS} = 0.0\text{ V}$, $T_A = -40^\circ\text{C}$ to $+85^\circ\text{C}$)

Parameter	Symbol	Pin name	Value		Unit
			Min	Max	
Peripheral input "H" pulse width	t_{LH}	INT00 to INT09, EC0, EC1, T11,	$2 t_{MCLK}^*$	—	ns
Peripheral input "L" pulse width	t_{HL}	TRG1	$2 t_{MCLK}^*$	—	ns

*: See "Source Clock/Machine Clock" for t_{MCLK} .



13.4.6 LIN-UART Timing

Sampling is executed at the rising edge of the sampling clock*¹, and serial clock delay is disabled*².
 (ESCR register: SCES bit = 0, ECCR register: SCDE bit = 0)

($V_{CC} = 5.0\text{ V} \pm 10\%$, $AV_{SS} = V_{SS} = 0.0\text{ V}$, $T_A = -40^\circ\text{C}$ to $+85^\circ\text{C}$)

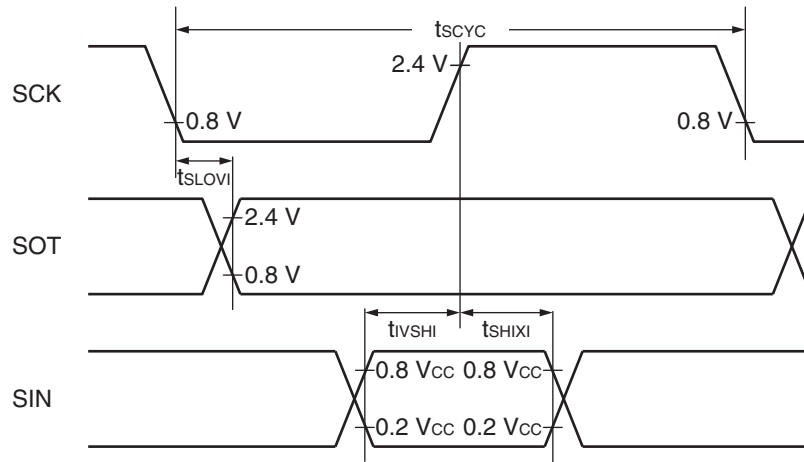
Parameter	Symbol	Pin name	Condition	Value		Unit
				Min	Max	
Serial clock cycle time	t_{SCYC}	SCK	Internal clock operation output pin: $C_L = 80\text{ pF} + 1\text{ TTL}$	$5 t_{MCLK}^{*3}$	—	ns
SCK $\downarrow \rightarrow$ SOT delay time	t_{SLOVI}	SCK, SOT		-95	+95	ns
Valid SIN \rightarrow SCK \uparrow	t_{IVSHI}	SCK, SIN		$t_{MCLK}^{*3} + 190$	—	ns
SCK $\uparrow \rightarrow$ valid SIN hold time	t_{SHIXI}	SCK, SIN		0	—	ns
Serial clock "L" pulse width	t_{SLSH}	SCK	External clock operation output pin: $C_L = 80\text{ pF} + 1\text{ TTL}$	$3 t_{MCLK}^{*3} - t_R$	—	ns
Serial clock "H" pulse width	t_{SHSL}	SCK		$t_{MCLK}^{*3} + 95$	—	ns
SCK $\downarrow \rightarrow$ SOT delay time	t_{SLOVE}	SCK, SOT		—	$2 t_{MCLK}^{*3} + 95$	ns
Valid SIN \rightarrow SCK \uparrow	t_{IVSHE}	SCK, SIN		190	—	ns
SCK $\uparrow \rightarrow$ valid SIN hold time	t_{SHIXE}	SCK, SIN		$t_{MCLK}^{*3} + 95$	—	ns
SCK fall time	t_F	SCK		—	10	ns
SCK rise time	t_R	SCK		—	10	ns

*1: There is a function used to choose whether the sampling of reception data is performed at a rising edge or a falling edge of the serial clock.

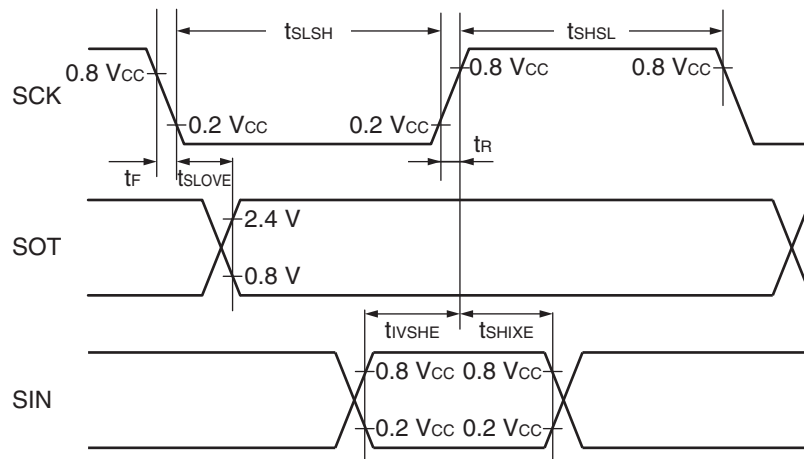
*2: The serial clock delay function is a function used to delay the output signal of the serial clock for half the clock.

*3: See "(2) Source Clock/Machine Clock" for t_{MCLK} .

• Internal shift clock mode



• External shift clock mode



Sampling is executed at the falling edge of the sampling clock*¹, and serial clock delay is disabled*².
 (ESCR register: SCES bit = 1, ECCR register: SCDE bit = 0)

(V_{CC} = 5.0 V±10%, V_{SS} = 0.0 V, T_A = -40°C to +85°C)

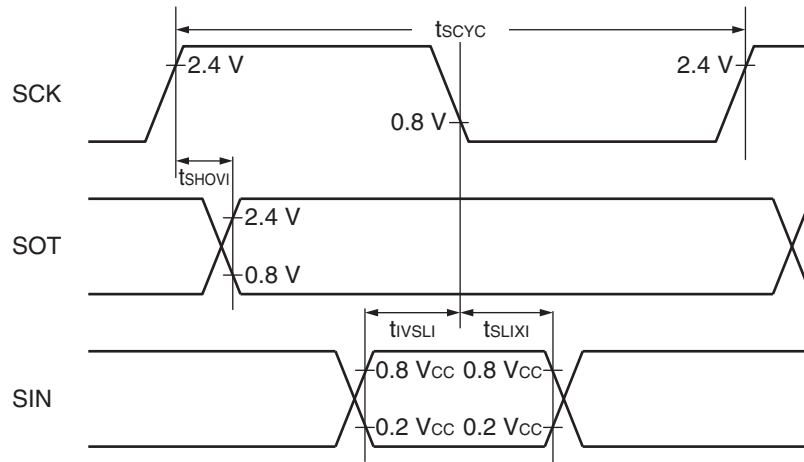
Parameter	Symbol	Pin name	Condition	Value		Unit
				Min	Max	
Serial clock cycle time	t _{SCYC}	SCK	Internal clock operation output pin: C _L = 80 pF + 1 TTL	5 t _{MCLK} * ³	—	ns
SCK ↑ → SOT delay time	t _{SHOVI}	SCK, SOT		-95	+95	ns
Valid SIN → SCK ↓	t _{IVSLI}	SCK, SIN		t _{MCLK} * ³ + 190	—	ns
SCK ↓ → valid SIN hold time	t _{SLIXI}	SCK, SIN		0	—	ns
Serial clock "H" pulse width	t _{SHSL}	SCK	External clock operation output pin: C _L = 80 pF + 1 TTL	3 t _{MCLK} * ³ - t _R	—	ns
Serial clock "L" pulse width	t _{SLSH}	SCK		t _{MCLK} * ³ + 95	—	ns
SCK ↑ → SOT delay time	t _{SHOVE}	SCK, SOT		—	2 t _{MCLK} * ³ + 95	ns
Valid SIN → SCK ↓	t _{IVSLE}	SCK, SIN		190	—	ns
SCK ↓ → valid SIN hold time	t _{SLIXE}	SCK, SIN		t _{MCLK} * ³ + 95	—	ns
SCK fall time	t _F	SCK		—	10	ns
SCK rise time	t _R	SCK		—	10	ns

*1: There is a function used to choose whether the sampling of reception data is performed at a rising edge or a falling edge of the serial clock.

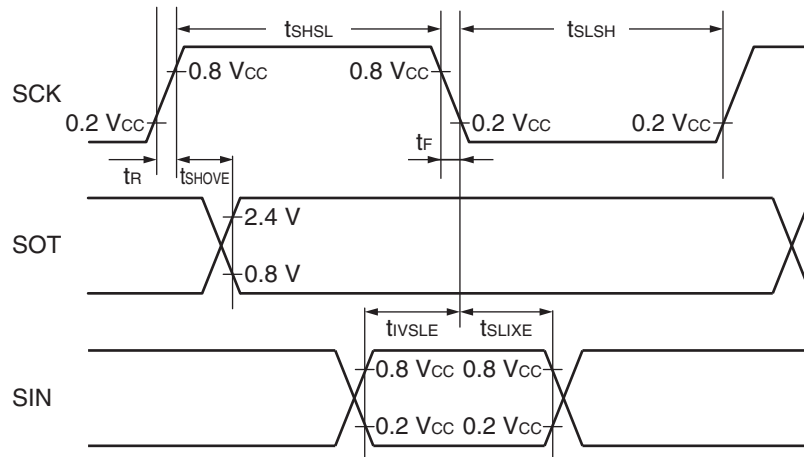
*2: The serial clock delay function is a function used to delay the output signal of the serial clock for half the clock.

*3: See "(2) Source Clock/Machine Clock" for t_{MCLK}.

• Internal shift clock mode



• External shift clock mode



Sampling is executed at the rising edge of the sampling clock*¹, and serial clock delay is enabled*².
 (ESCR register: SCES bit = 0, ECCR register: SCDE bit = 1)

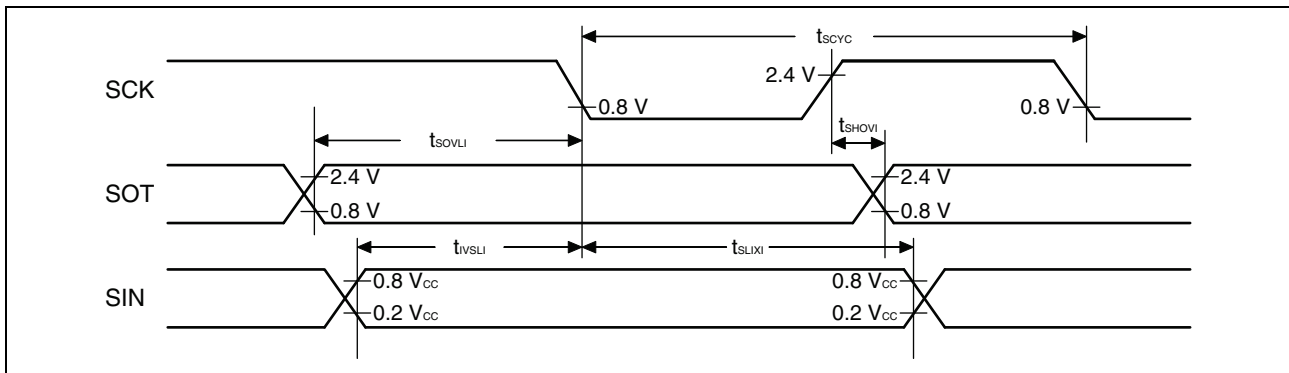
($V_{CC} = 5.0 V \pm 10\%$, $V_{SS} = 0.0 V$, $T_A = -40^\circ C$ to $+85^\circ C$)

Parameter	Symbol	Pin name	Condition	Value		Unit
				Min	Max	
Serial clock cycle time	t_{SCYC}	SCK	Internal clock operation output pin: $C_L = 80 \text{ pF} + 1 \text{ TTL}$	$5 t_{MCLK}^{*3}$	—	ns
SCK \uparrow \rightarrow SOT delay time	t_{SHOVI}	SCK, SOT		-95	+95	ns
Valid SIN \rightarrow SCK \downarrow	t_{IVSLI}	SCK, SIN		$t_{MCLK}^{*3} + 190$	—	ns
SCK \downarrow \rightarrow valid SIN hold time	t_{SLIXI}	SCK, SIN		0	—	ns
SOT \rightarrow SCK \downarrow delay time	t_{SOVLI}	SCK, SOT		—	$4 t_{MCLK}^{*3}$	ns

*1: There is a function used to choose whether the sampling of reception data is performed at a rising edge or a falling edge of the serial clock.

*2: The serial clock delay function is a function that delays the output signal of the serial clock for half clock.

*3: See "(2) Source Clock/Machine Clock" for t_{MCLK} .



Sampling is executed at the falling edge of the sampling clock*1, and serial clock delay is enabled*2.
(ESCR register: SCES bit = 1, ECCR register: SCDE bit = 1)

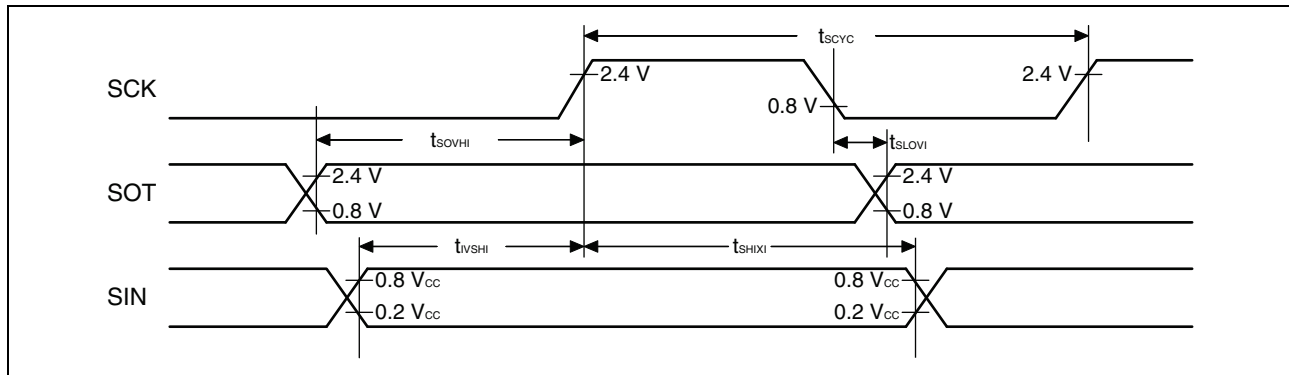
($V_{CC} = 5.0 V \pm 10\%$, $V_{SS} = 0.0 V$, $T_A = -40^\circ C$ to $+85^\circ C$)

Parameter	Symbol	Pin name	Condition	Value		Unit
				Min	Max	
Serial clock cycle time	t_{SCYC}	SCK	Internal clock operation output pin: $C_L = 80 \text{ pF} + 1 \text{ TTL}$	$5 t_{MCLK}^{*3}$	—	ns
SCK $\downarrow \rightarrow$ SOT delay time	t_{SLOVI}	SCK, SOT		-95	+95	ns
Valid SIN \rightarrow SCK \uparrow	t_{IVSHI}	SCK, SIN		$t_{MCLK}^{*3} + 190$	—	ns
SCK $\uparrow \rightarrow$ valid SIN hold time	t_{SHIXI}	SCK, SIN		0	—	ns
SOT \rightarrow SCK \uparrow delay time	t_{SOVHI}	SCK, SOT		—	$4 t_{MCLK}^{*3}$	ns

*1: There is a function used to choose whether the sampling of reception data is performed at a rising edge or a falling edge of the serial clock.

*2: The serial clock delay function is a function that delays the output signal of the serial clock for half clock.

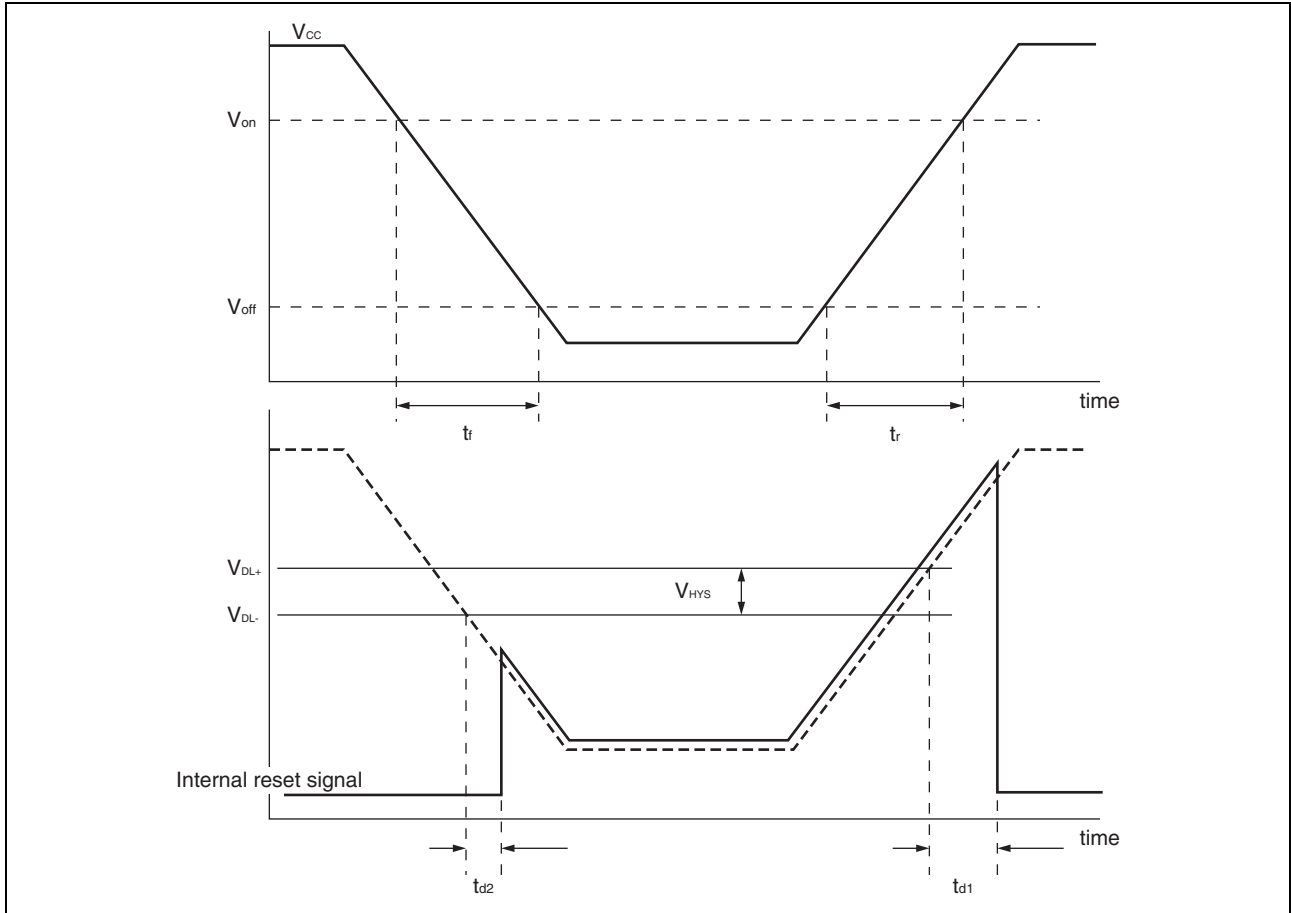
*3: See “(2) Source Clock/Machine Clock” for t_{MCLK} .



13.4.7 Low-voltage Detection

($V_{SS} = 0.0 V$, $T_A = -40^\circ C$ to $+85^\circ C$)

Parameter	Symbol	Value			Unit	Remarks
		Min	Typ	Max		
Release voltage	V_{DL+}	2.52	2.7	2.88	V	At power supply rise
Detection voltage	V_{DL-}	2.42	2.6	2.78	V	At power supply fall
Hysteresis width	V_{HYS}	70	100	—	mV	
Power supply start voltage	V_{off}	—	—	2.3	V	
Power supply end voltage	V_{on}	4.9	—	—	V	
Power supply voltage change time (at power supply rise)	t_r	3000	—	—	μs	Slope of power supply that the reset release signal generates within the rating (V_{DL+})
Power supply voltage change time (at power supply fall)	t_f	300	—	—	μs	Slope of power supply that the reset detection signal generates within the rating (V_{DL-})
Reset release delay time	t_{d1}	—	—	300	μs	
Reset detection delay time	t_{d2}	—	—	20	μs	



13.4.8 I²C Timing

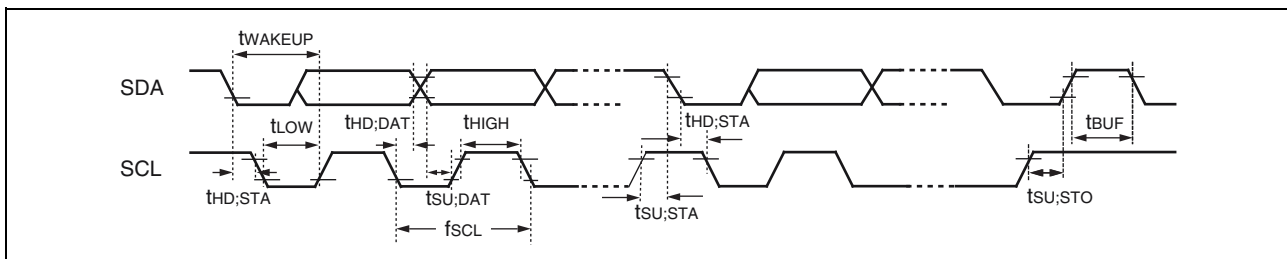
($V_{CC} = 5.0\text{ V} \pm 10\%$, $AV_{SS} = V_{SS} = 0.0\text{ V}$, $T_A = -40^\circ\text{C}$ to $+85^\circ\text{C}$)

Parameter	Symbol	Pin name	Condition	Value				Unit
				Standard-mode		Fast-mode		
				Min	Max	Min	Max	
SCL clock frequency	f_{SCL}	SCL	R = 1.7 k Ω , C = 50 pF ^{*1}	0	100	0	400	kHz
(Repeated) START condition hold time SDA $\downarrow \rightarrow$ SCL \downarrow	$t_{HD;STA}$	SCL, SDA		4.0	—	0.6	—	μs
SCL clock "L" width	t_{LOW}	SCL		4.7	—	1.3	—	μs
SCL clock "H" width	t_{HIGH}	SCL		4.0	—	0.6	—	μs
(Repeated) START condition hold time SCL $\uparrow \rightarrow$ SDA \downarrow	$t_{SU;STA}$	SCL, SDA		4.7	—	0.6	—	μs
Data hold time SCL $\downarrow \rightarrow$ SDA $\downarrow \uparrow$	$t_{HD;DAT}$	SCL, SDA		0	3.45 ^{*2}	0	0.9 ^{*3}	μs
Data setup time SDA $\downarrow \uparrow \rightarrow$ SCL \uparrow	$t_{SU;DAT}$	SCL, SDA		0.25	—	0.1	—	μs
STOP condition setup time SCL $\uparrow \rightarrow$ SDA \uparrow	$t_{SU;STO}$	SCL, SDA		4	—	0.6	—	μs
Bus free time between STOP condition and START condition	t_{BUF}	SCL, SDA		4.7	—	1.3	—	μs

*1: R represents the pull-up resistor of the SCL and SDA lines, and C the load capacitor of the SCL and SDA lines.

*2: The maximum $t_{HD;DAT}$ in the Standard-mode is applicable only when the time during which the device is holding the SCL signal at "L" (t_{LOW}) does not extend.

*3: A Fast-mode I²C-bus device can be used in a Standard-mode I²C-bus system, provided that the condition of $t_{SU;DAT} \geq 250\text{ ns}$ is fulfilled.



(Continued)

$(V_{CC} = 5.0 V \pm 10\%, AV_{SS} = V_{SS} = 0.0 V, T_A = -40^\circ C \text{ to } +85^\circ C)$

Parameter	Symbol	Pin name	Condition	Value*2		Unit	Remarks
				Min	Max		
SCL clock "L" width	t_{LOW}	SCL	R = 1.7 k Ω , C = 50 pF*1	$(2 + nm/2)t_{MCLK} - 20$	—	ns	Master mode
SCL clock "H" width	t_{HIGH}	SCL		$(nm/2)t_{MCLK} - 20$	$(nm/2)t_{MCLK} + 20$	ns	Master mode
START condition hold time	$t_{HD;STA}$	SCL, SDA		$(-1 + nm/2)t_{MCLK} - 20$	$(-1 + nm)t_{MCLK} + 20$	ns	Master mode Maximum value is applied when m, n = 1, 8. Otherwise, the minimum value is applied.
STOP condition setup time	$t_{SU;STO}$	SCL, SDA		$(1 + nm/2)t_{MCLK} - 20$	$(1 + nm/2)t_{MCLK} + 20$	ns	Master mode
START condition setup time	$t_{SU;STA}$	SCL, SDA		$(1 + nm/2)t_{MCLK} - 20$	$(1 + nm/2)t_{MCLK} + 20$	ns	Master mode
Bus free time between STOP condition and START condition	t_{BUF}	SCL, SDA		$(2 nm + 4)t_{MCLK} - 20$	—	ns	
Data hold time	$t_{HD;DAT}$	SCL, SDA		$3 t_{MCLK} - 20$	—	ns	Master mode
Data setup time	$t_{SU;DAT}$	SCL, SDA		$(-2 + nm/2)t_{MCLK} - 20$	$(-1 + nm/2)t_{MCLK} + 20$	ns	Master mode When assuming that "L" of SCL is not extended, the minimum value is applied to first bit of continuous data. Otherwise, the maximum value is applied.
Setup time between clearing interrupt and SCL rising	$t_{SU;INT}$	SCL		$(nm/2)t_{MCLK} - 20$	$(1 + nm/2)t_{MCLK} + 20$	ns	Minimum value is applied to interrupt at 9th SCL \downarrow . Maximum value is applied to the interrupt at the 8th SCL \downarrow .

(Continued)

(Continued)

 $(V_{CC} = 5.0 V \pm 10\%, AV_{SS} = V_{SS} = 0.0 V, T_A = -40^\circ C \text{ to } +85^\circ C)$

Parameter	Symbol	Pin name	Condition	Value*2		Unit	Remarks
				Min	Max		
SCL clock "L" width	t_{LOW}	SCL	R = 1.7 k Ω , C = 50 pF*1	$4 t_{MCLK} - 20$	—	ns	At reception
SCL clock "H" width	t_{HIGH}	SCL		$4 t_{MCLK} - 20$	—	ns	At reception
START condition detection	$t_{HD;STA}$	SCL, SDA		$2 t_{MCLK} - 20$	—	ns	Not detected when 1 t_{MCLK} is used at reception
STOP condition detection	$t_{SU;STO}$	SCL, SDA		$2 t_{MCLK} - 20$	—	ns	Not detected when 1 t_{MCLK} is used at reception
RESTART condition detection condition	$t_{SU;STA}$	SCL, SDA		$2 t_{MCLK} - 20$	—	ns	Not detected when 1 t_{MCLK} is used at reception
Bus free time	t_{BUF}	SCL, SDA		$2 t_{MCLK} - 20$	—	ns	At reception
Data hold time	$t_{HD;DAT}$	SCL, SDA		$2 t_{MCLK} - 20$	—	ns	At slave transmission mode
Data setup time	$t_{SU;DAT}$	SCL, SDA		$t_{LOW} - 3 t_{MCLK} - 20$	—	ns	At slave transmission mode
Data hold time	$t_{HD;DAT}$	SCL, SDA		0	—	ns	At reception
Data setup time	$t_{SU;DAT}$	SCL, SDA		$t_{MCLK} - 20$	—	ns	At reception
SDA \downarrow → SCL \uparrow (at wakeup function)	t_{WAKEUP}	SCL, SDA	Oscillation stabilization wait time $+2 t_{MCLK} - 20$	—	ns		

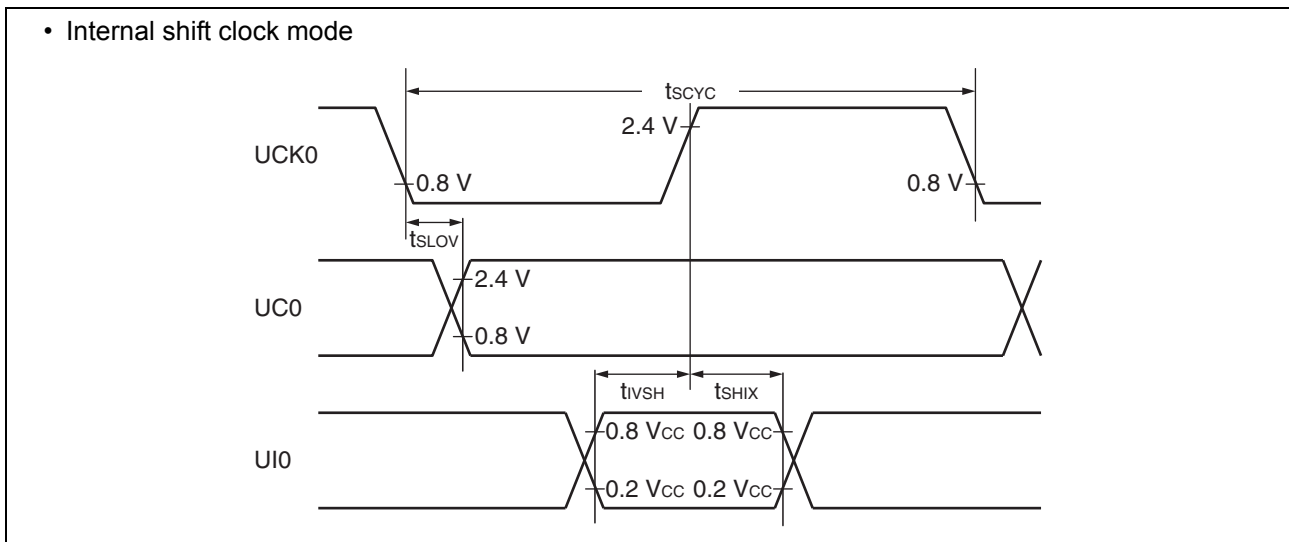
*1: R represents the pull-up resistor of the SCL and SDA lines, and C the load capacitor of the SCL and SDA lines.

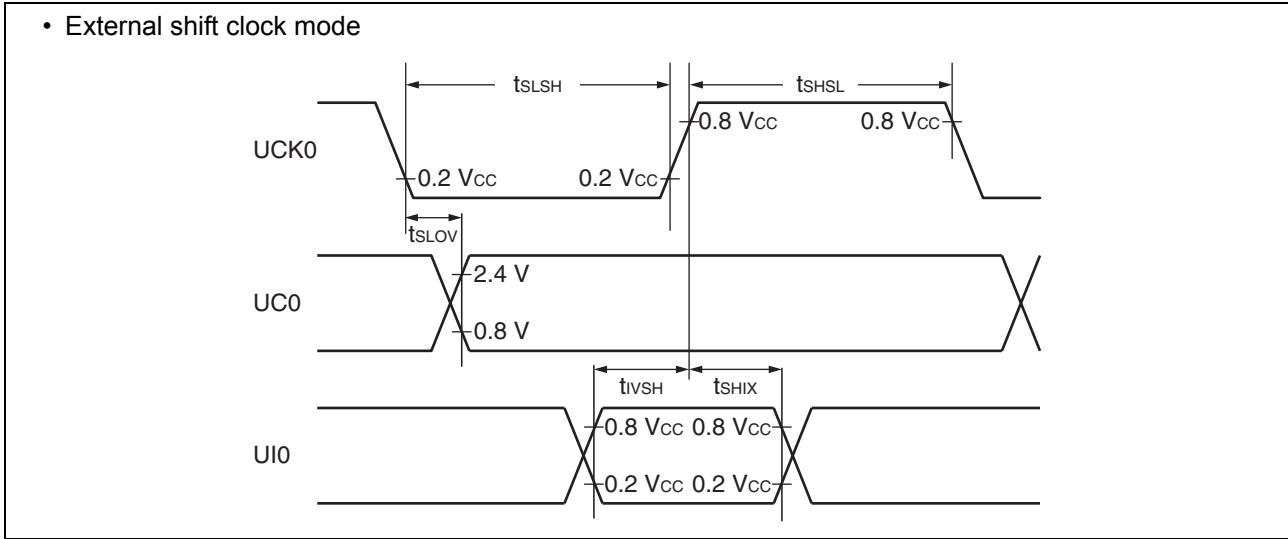
- *2:
- See "(2) Source Clock/Machine Clock" for t_{MCLK} .
 - m represents the CS4 bit and CS3 bit (bit4 and bit3) in the I²C clock control register (ICCR0).
 - n represents the CS2 bit to CS0 bit (bit2 to bit0) in the I²C clock control register (ICCR0).
 - The actual timing of I²C is determined by the values of m and n set by the machine clock (t_{MCLK}) and the CS4 to CS0 bits in the ICCR0 register.
 - Standard-mode:
m and n can be set to values in the following range: $0.9 \text{ MHz} < t_{MCLK} \text{ (machine clock)} < 10 \text{ MHz}$.
The usable frequencies of the machine clock are determined by the settings of m and n as shown below.
(m, n) = (1, 8): $0.9 \text{ MHz} < t_{MCLK} \leq 1 \text{ MHz}$
(m, n) = (1, 22), (5, 4), (6, 4), (7, 4), (8, 4): $0.9 \text{ MHz} < t_{MCLK} \leq 2 \text{ MHz}$
(m, n) = (1, 38), (5, 8), (6, 8), (7, 8), (8, 8): $0.9 \text{ MHz} < t_{MCLK} \leq 4 \text{ MHz}$
(m, n) = (1, 98): $0.9 \text{ MHz} < t_{MCLK} \leq 10 \text{ MHz}$
 - Fast-mode:
m and n can be set to values in the following range: $3.3 \text{ MHz} < t_{MCLK} \text{ (machine clock)} < 10 \text{ MHz}$.
The usable frequencies of the machine clock are determined by the settings of m and n as shown below.
(m, n) = (1, 8): $3.3 \text{ MHz} < t_{MCLK} \leq 4 \text{ MHz}$
(m, n) = (1, 22), (5, 4): $3.3 \text{ MHz} < t_{MCLK} \leq 8 \text{ MHz}$
(m, n) = (6, 4): $3.3 \text{ MHz} < t_{MCLK} \leq 10 \text{ MHz}$

13.4.9 UART/SIO, Serial I/O Timing
 $(V_{CC} = 5.0 V \pm 10\%, AV_{SS} = V_{SS} = 0.0 V, T_A = -40^\circ C \text{ to } +85^\circ C)$

Parameter	Symbol	Pin name	Condition	Value		Unit
				Min	Max	
Serial clock cycle time	t_{SCYC}	UCK0	Internal clock operation	$4 t_{MCLK}^*$	—	ns
UCK ↓ → UO time	t_{SLOV}	UCK0, UO0		-190	+190	ns
Valid UI → UCK ↑	t_{IVSH}	UCK0, UI0		$2 t_{MCLK}^*$	—	ns
UCK ↑ → valid UI hold time	t_{SHIX}	UCK, UI0		$2 t_{MCLK}^*$	—	ns
Serial clock "H" pulse width	t_{SHSL}	UCK0	External clock operation	$4 t_{MCLK}^*$	—	ns
Serial clock "L" pulse width	t_{SLSH}	UCK0		$4 t_{MCLK}^*$	—	ns
UCK ↓ → UO time	t_{SLOV}	UCK0, UO0		—	190	ns
Valid UI → UCK ↑	t_{IVSH}	UCK0, UI0		$2 t_{MCLK}^*$	—	ns
UCK ↑ → valid UI hold time	t_{SHIX}	UCK0, UI0	$2 t_{MCLK}^*$	—	ns	

*: See "(2) Source Clock/Machine Clock" for t_{MCLK} .

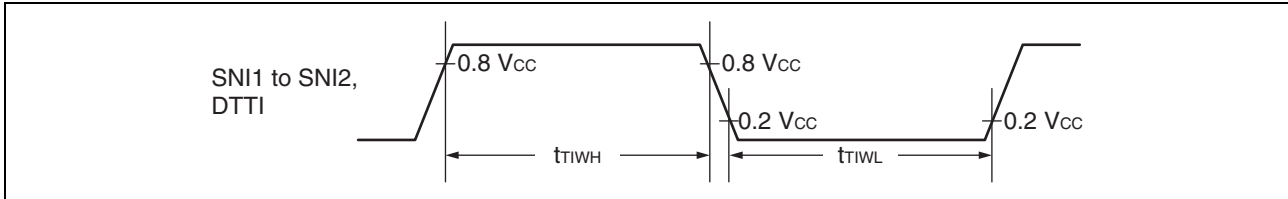




13.4.10 MPG Input Timing

($V_{CC} = 5.0\text{ V} \pm 10\%$, $V_{SS} = 0.0\text{ V}$, $T_A = -40^\circ\text{C}$ to $+85^\circ\text{C}$)

Parameter	Symbol	Pin name	Condition	Value		Unit	Remarks
				Min	Max		
Input pulse width	t_{TIWH} t_{TIWL}	SNI0 to SNI2, DTTI	—	$4 t_{MCLK}$	—	ns	



13.5 A/D Converter

13.5.1 A/D Converter Electrical Characteristics

($V_{CC} = 4.0\text{ V}$ to 5.5 V , $V_{SS} = 0.0\text{ V}$, $T_A = -40^\circ\text{C}$ to $+85^\circ\text{C}$)

Parameter	Symbol	Value			Unit	Remarks
		Min	Typ	Max		
Resolution	—	—	—	10	bit	
Total error		-3	—	+3	LSB	
Linearity error		-2.5	—	+2.5	LSB	
Differential linear error		-1.9	—	+1.9	LSB	
Zero transition voltage	V_{OT}	$V_{SS} - 1.5\text{ LSB}$	$V_{SS} + 0.5\text{ LSB}$	$V_{SS} + 2.5\text{ LSB}$	V	

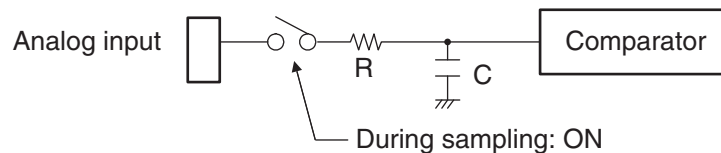
Parameter	Symbol	Value			Unit	Remarks
		Min	Typ	Max		
Full-scale transition voltage	V_{FST}	$V_{CC} - 4.5 \text{ LSB}$	$V_{CC} - 2 \text{ LSB}$	$V_{CC} + 0.5 \text{ LSB}$	V	
Compare time	—	0.9	—	16500	μs	$4.5 \text{ V} \leq V_{CC} \leq 5.5 \text{ V}$
		1.8	—	16500	μs	$4.0 \text{ V} \leq V_{CC} < 4.5 \text{ V}$
Sampling time	—	0.6	—	∞	μs	$4.5 \text{ V} \leq V_{CC} \leq 5.5 \text{ V}$, with external impedance $< 5.4 \text{ k}\Omega$
		1.2	—	∞	μs	$4.0 \text{ V} \leq V_{CC} < 4.5 \text{ V}$, with external impedance $< 2.4 \text{ k}\Omega$
Analog input current	I_{AIN}	-0.3	—	+0.3	μA	
Analog input voltage	V_{AIN}	V_{SS}	—	V_{CC}	V	

13.5.2 Notes on Using the A/D Converter

External impedance of analog input and its sampling time

- The A/D converter has a sample and hold circuit. If the external impedance is too high to keep sufficient sampling time, the analog voltage charged to the capacitor of the internal sample and hold circuit is insufficient, adversely affecting A/D conversion precision. Therefore, to satisfy the A/D conversion precision standard, considering the relationship between the external impedance and minimum sampling time, either adjust the register value and operating frequency or decrease the external impedance so that the sampling time is longer than the minimum value. In addition, if sufficient sampling time cannot be secured, connect a capacitor of about 0.1 μF to the analog input pin.

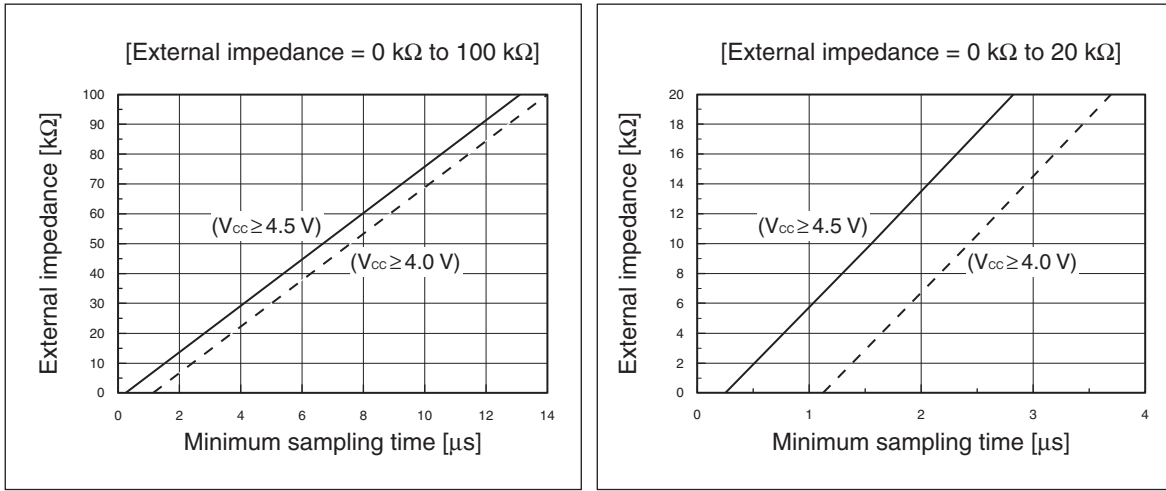
Analog input equivalent circuit



V_{CC}	R	C
$4.5 \text{ V} \leq V_{CC} \leq 5.5 \text{ V}$	1.95 k Ω (Max)	17 pF (Max)
$4.0 \text{ V} \leq V_{CC} < 4.5 \text{ V}$	8.98 k Ω (Max)	17 pF (Max)

Note: The values are reference values.

- Relationship between external impedance and minimum sampling time



■ **A/D conversion error**

As $|V_{CC}-V_{SS}|$ decreases, the A/D conversion error increases proportionately.

13.5.3 Definitions of A/D Converter Terms

■ **Resolution**

It indicates the level of analog variation that can be distinguished by the A/D converter. When the number of bits is 10, analog voltage can be divided into $2^{10} = 1024$.

■ **Linearity error (unit: LSB)**

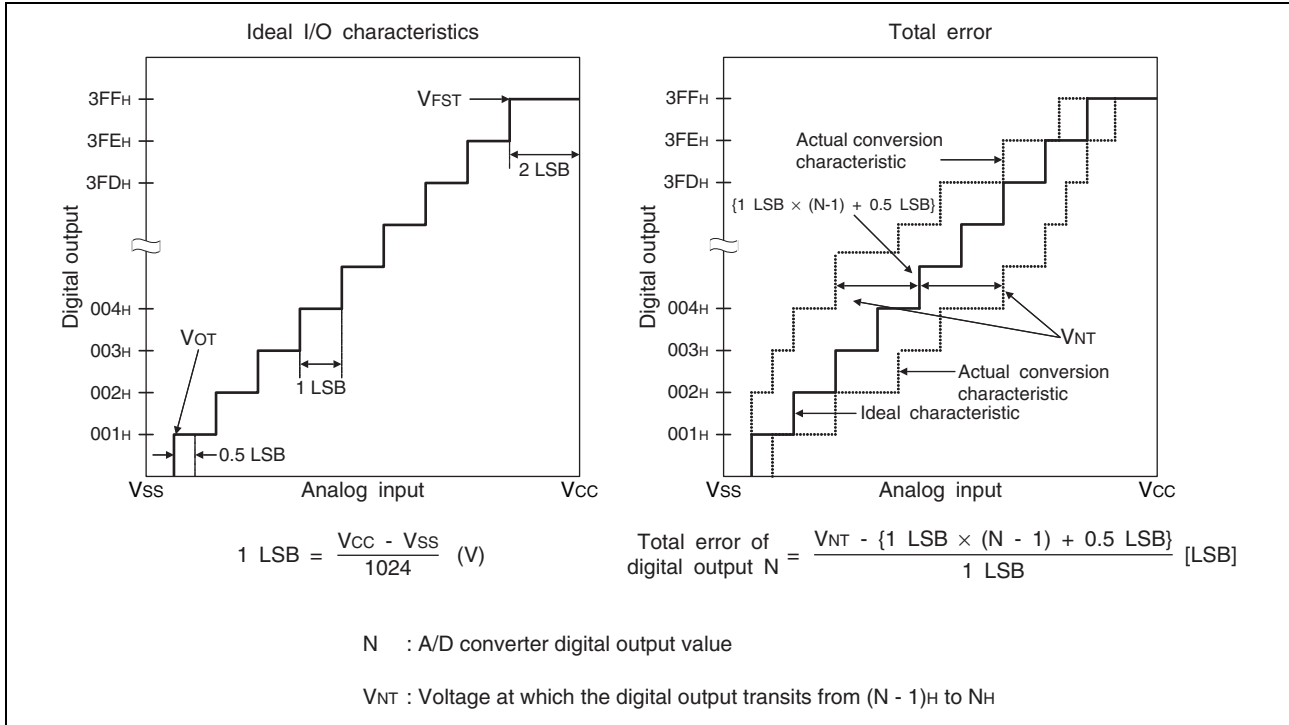
It indicates how much an actual conversion value deviates from the straight line connecting the zero transition point ("00 0000 0000" \leftrightarrow "00 0000 0001") of a device to the full-scale transition point ("11 1111 1111" \leftrightarrow "11 1111 1110") of the same device.

■ **Differential linear error (unit: LSB)**

It indicates how much the input voltage required to change the output code by 1 LSB deviates from an ideal value.

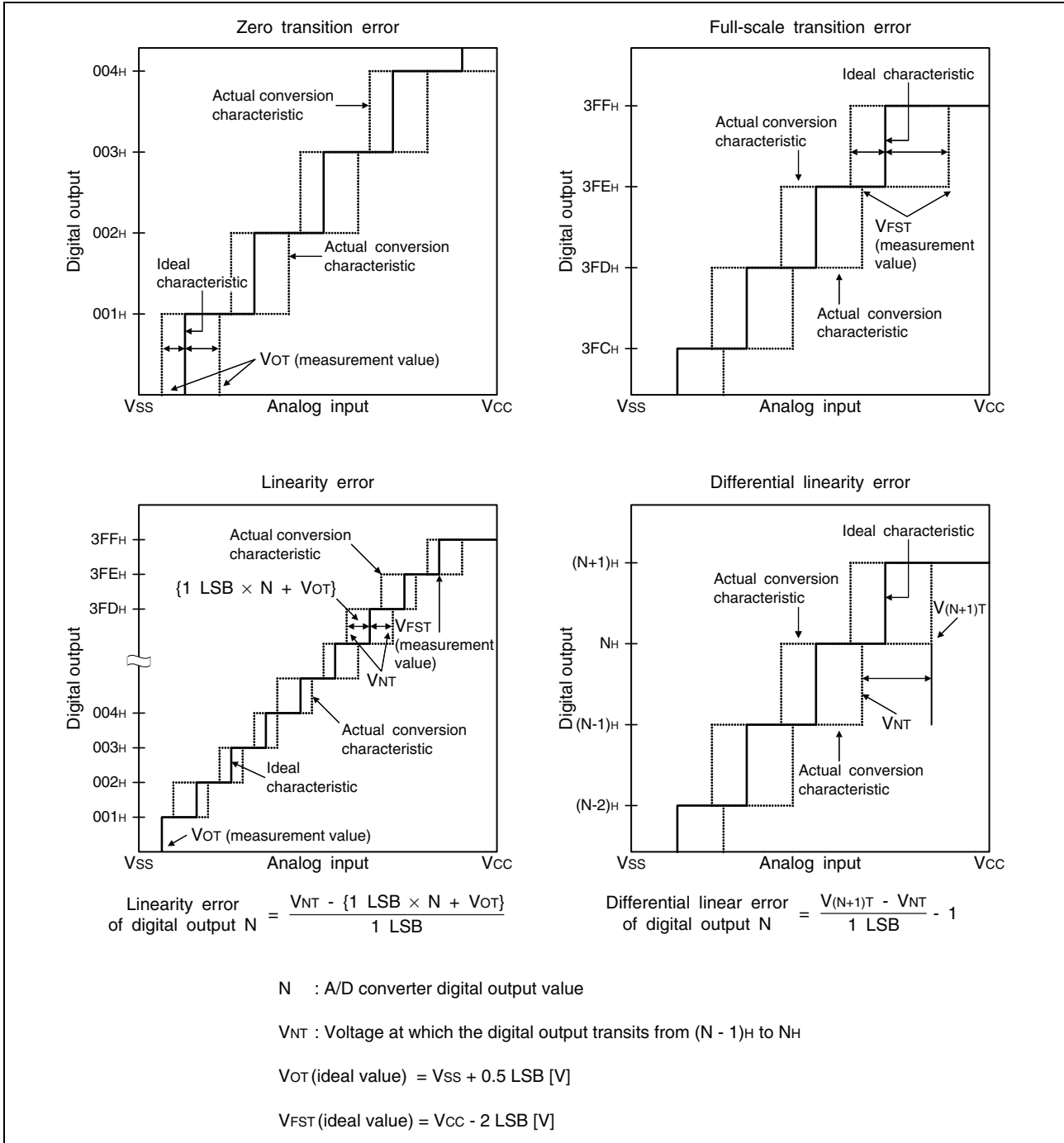
■ **Total error (unit: LSB)**

It indicates the difference between an actual value and a theoretical value. The error can be caused by a zero transition error, a full-scale transition errors, a linearity error, a quantum error, or noise.



(Continued)

(Continued)



13.6 Flash Memory Write/Erase Characteristics

Parameter	Value			Unit	Remarks
	Min	Typ	Max		
Sector erase time (2 Kbyte sector)	—	0.2* ¹	0.5* ²	s	The time of writing 00 _H prior to erasure is excluded.
Sector erase time (16 Kbyte sector)	—	0.5* ¹	7.5* ²	s	The time of writing 00 _H prior to erasure is excluded.
Byte writing time	—	21	6100* ²	μs	System-level overhead is excluded.
Erase/write cycle	100000	—	—	cycle	
Power supply voltage at erase/write	3.0	—	5.5	V	
Flash memory data retention time	20* ³	—	—	year	Average T _A = +85°C

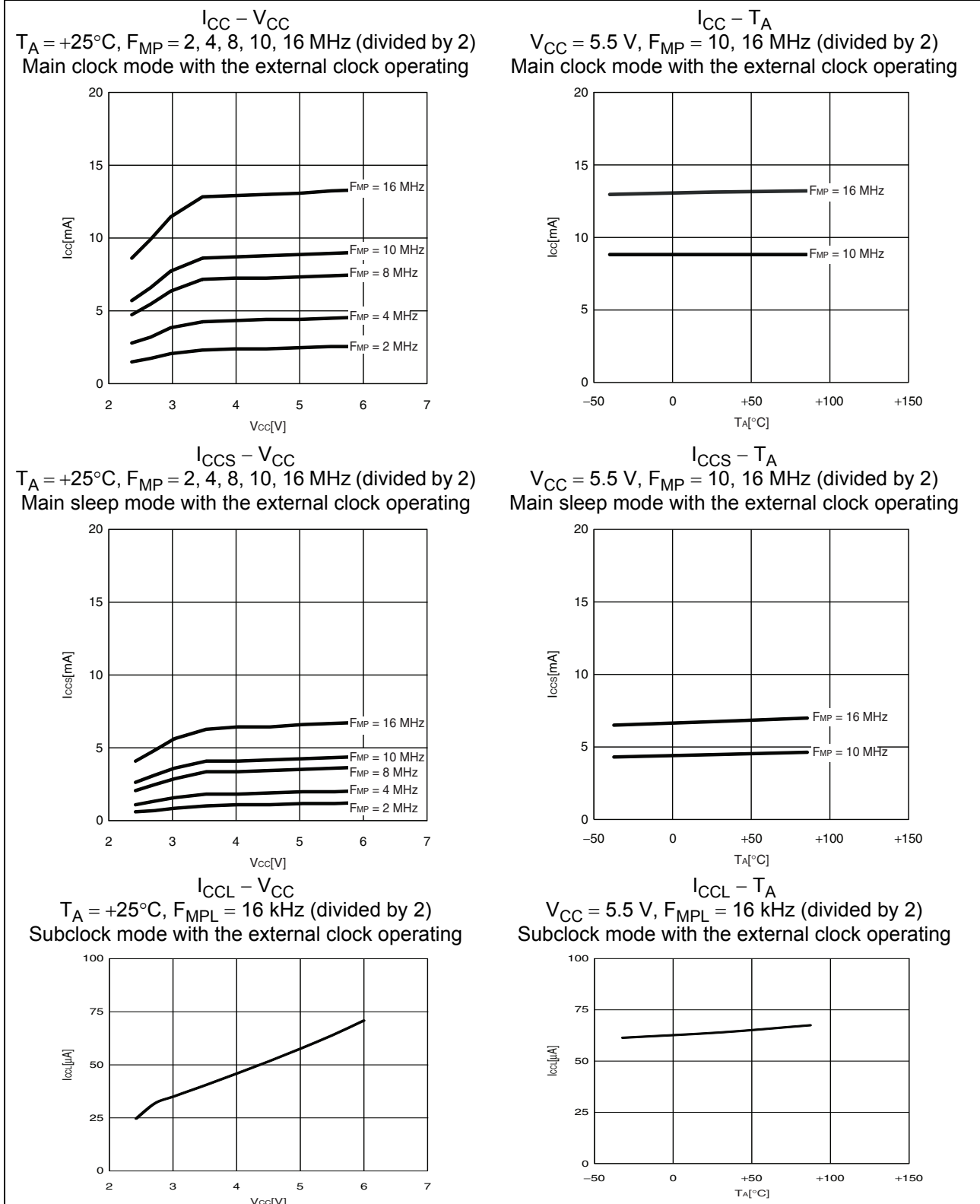
*1: T_A = +25°C, V_{CC} = 5.0 V, 100000 cycles

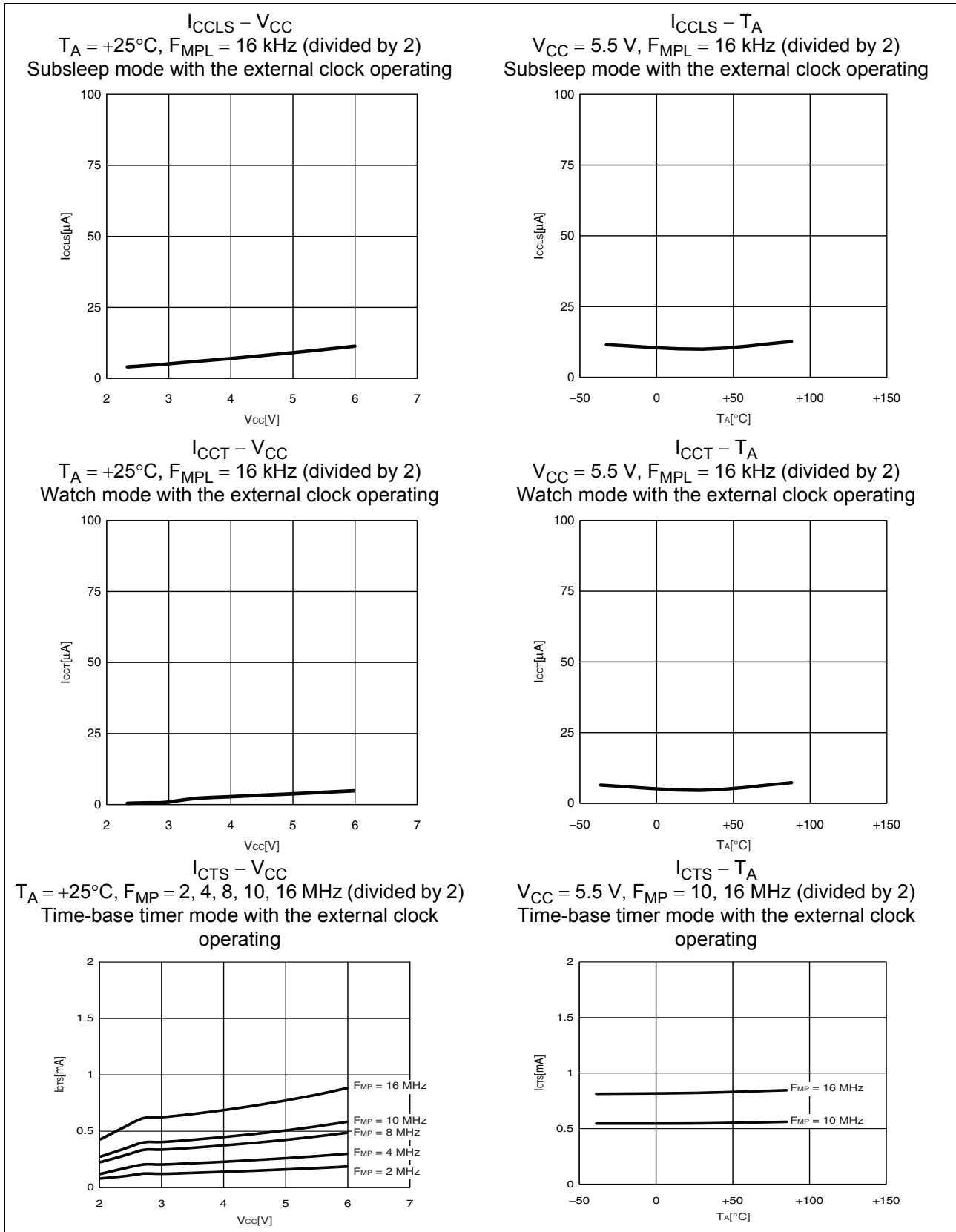
*2: T_A = +85°C, V_{CC} = 3.0 V, 100000 cycles

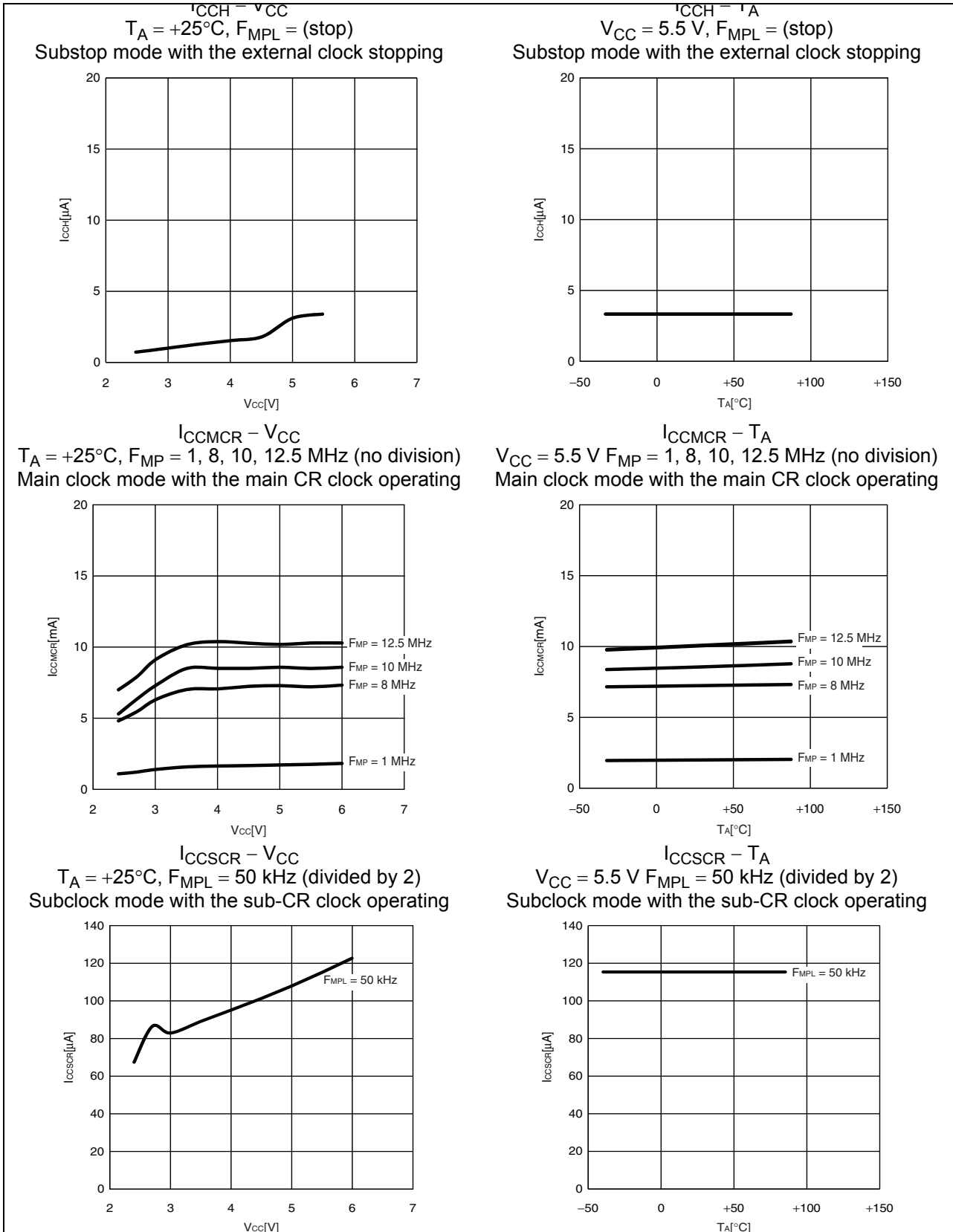
*3: This value is converted from the result of a technology reliability assessment. (The value is converted from the result of a high temperature accelerated test using the Arrhenius equation with the average temperature being +85°C).

14. Sample Characteristics

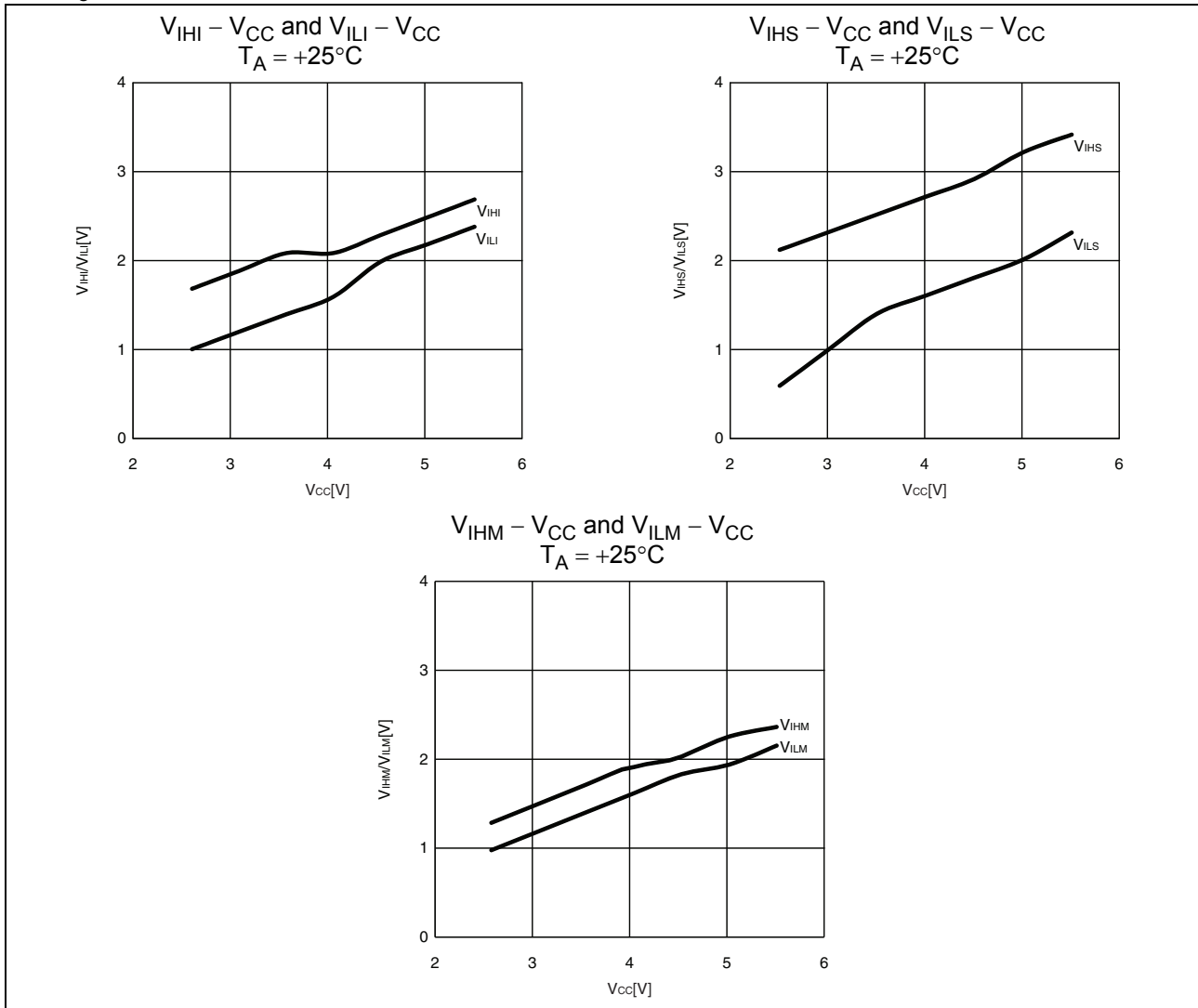
■ Power supply current temperature characteristics



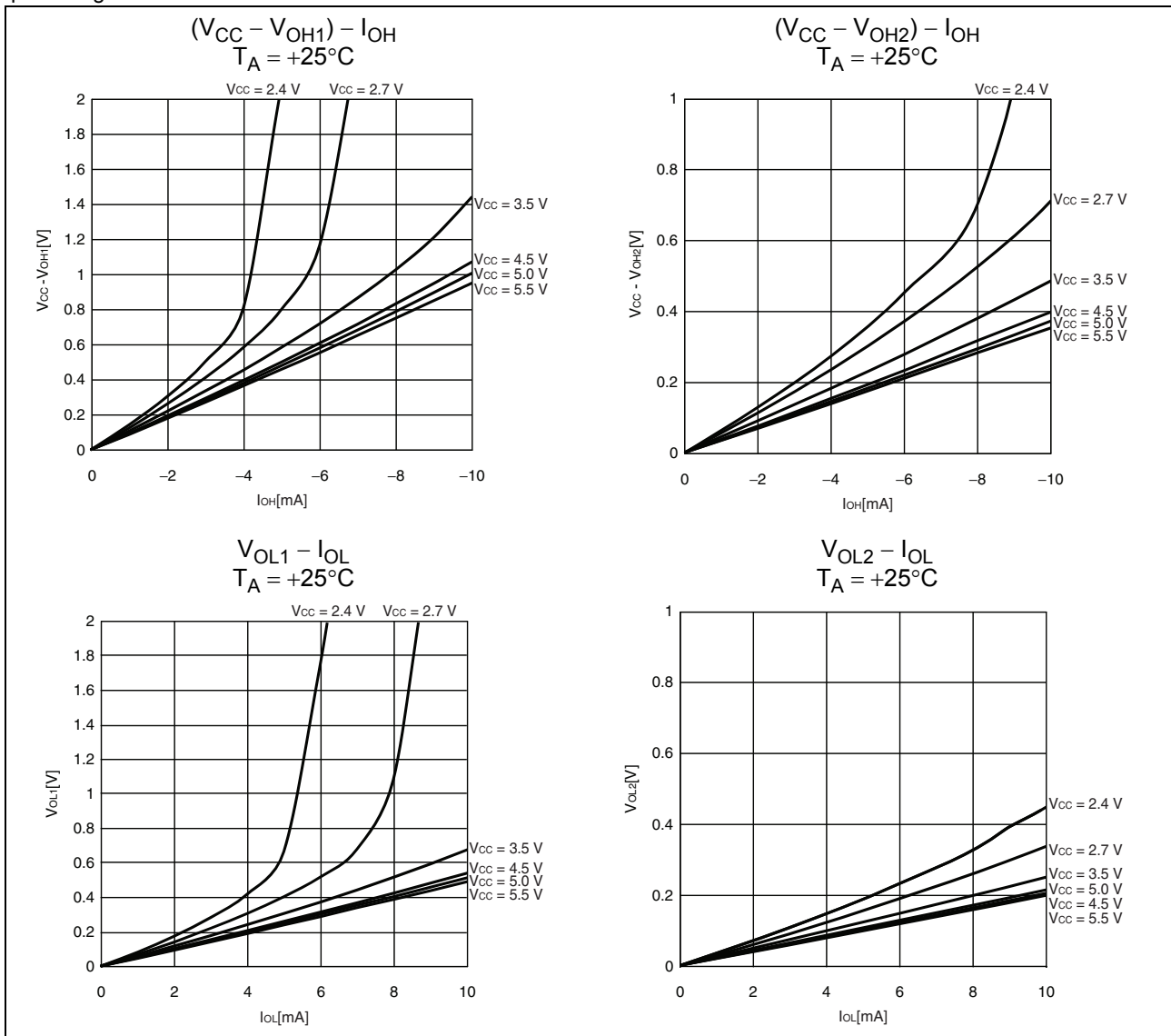




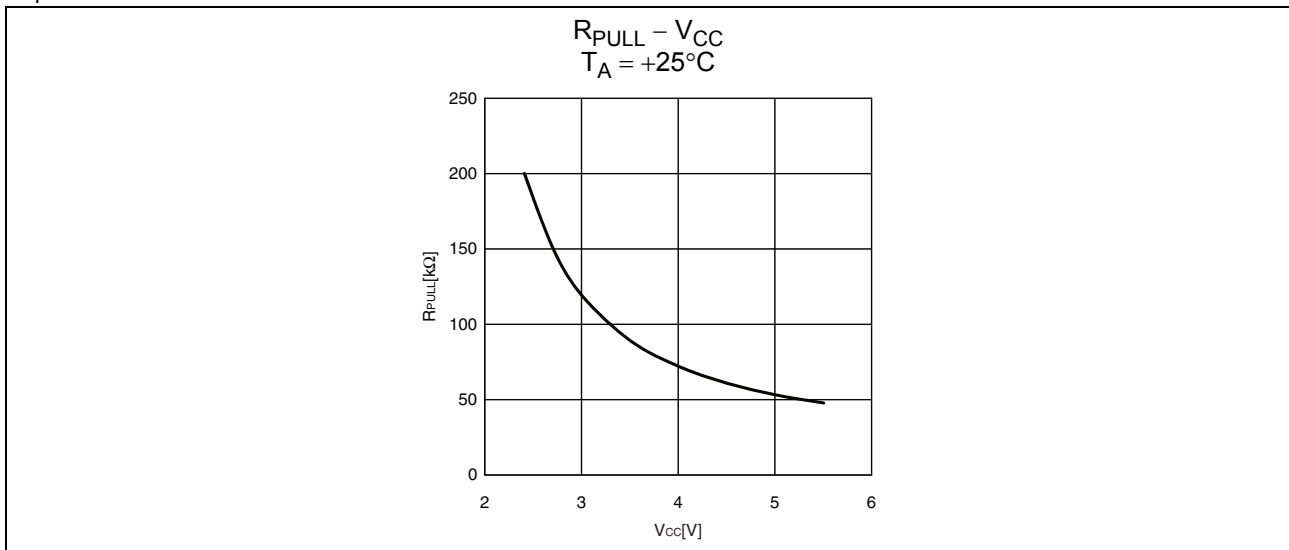
■ Input voltage characteristics



■ Output voltage characteristics



■ Pull-up characteristics



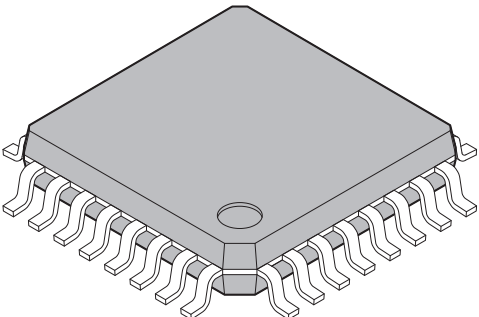
15. Mask Options

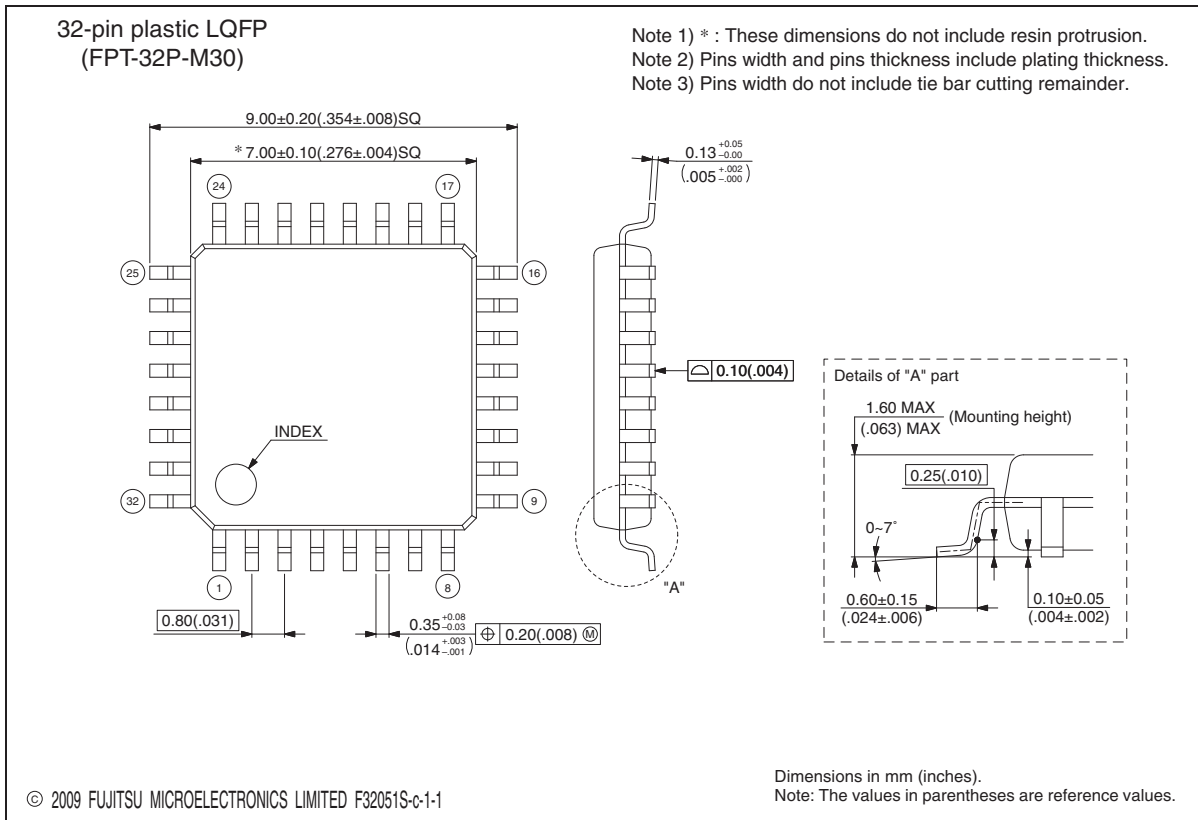
No.	Part Number	MB95F332H MB95F333H MB95F334H	MB95F332K MB95F333K MB95F334K
	Selectable/Fixed	Fixed	
1	Low-voltage detection reset	Without low-voltage detection reset	With low-voltage detection reset
2	Reset	With dedicated reset input	Without dedicated reset input

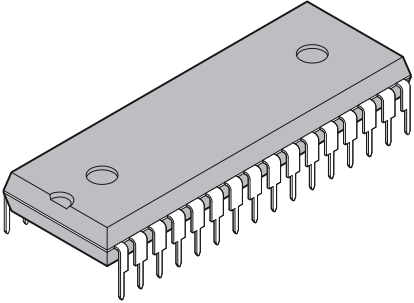
16. Ordering Information

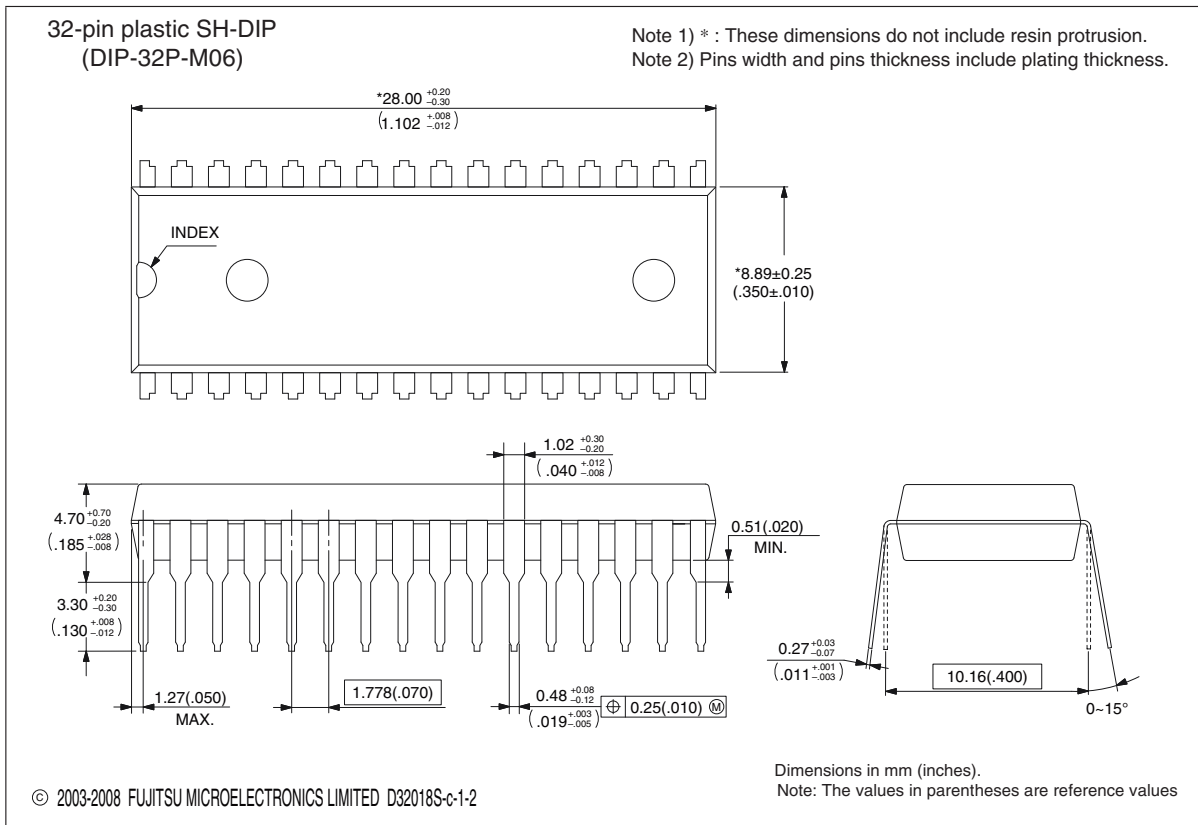
Part Number	Package
MB95F332HPMC-G-SNE2 MB95F332KPMC-G-SNE2 MB95F333HPMC-G-SNE2 MB95F333KPMC-G-SNE2 MB95F334HPMC-G-SNE2 MB95F334KPMC-G-SNE2	32-pin plastic LQFP (FPT-32P-M30)
MB95F332HP-G-SH-SNE2 MB95F332KP-G-SH-SNE2 MB95F333HP-G-SH-SNE2 MB95F333KP-G-SH-SNE2 MB95F334HP-G-SH-SNE2 MB95F334KP-G-SH-SNE2	32-pin plastic SH-DIP (DIP-32P-M06)
MB95F332HWQN-G-SNE1 MB95F332KWQN-G-SNE1 MB95F333HWQN-G-SNE1 MB95F333KWQN-G-SNE1 MB95F334HWQN-G-SNE1 MB95F334KWQN-G-SNE1	32-pin plastic QFN (LCC-32P-M19)

17. Package Dimension

<p>32-pin plastic LQFP</p>  <p>(FPT-32P-M30)</p>	Lead pitch	0.80 mm
	Package width × package length	7.00 mm × 7.00 mm
	Lead shape	Gullwing
	Sealing method	Plastic mold
	Mounting height	1.60 mm MAX

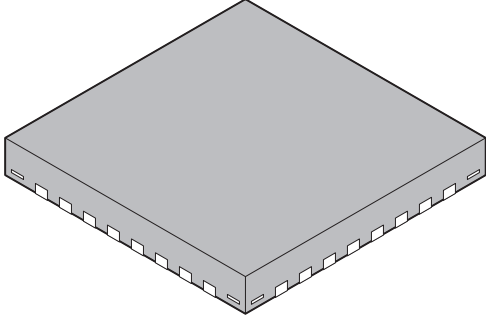


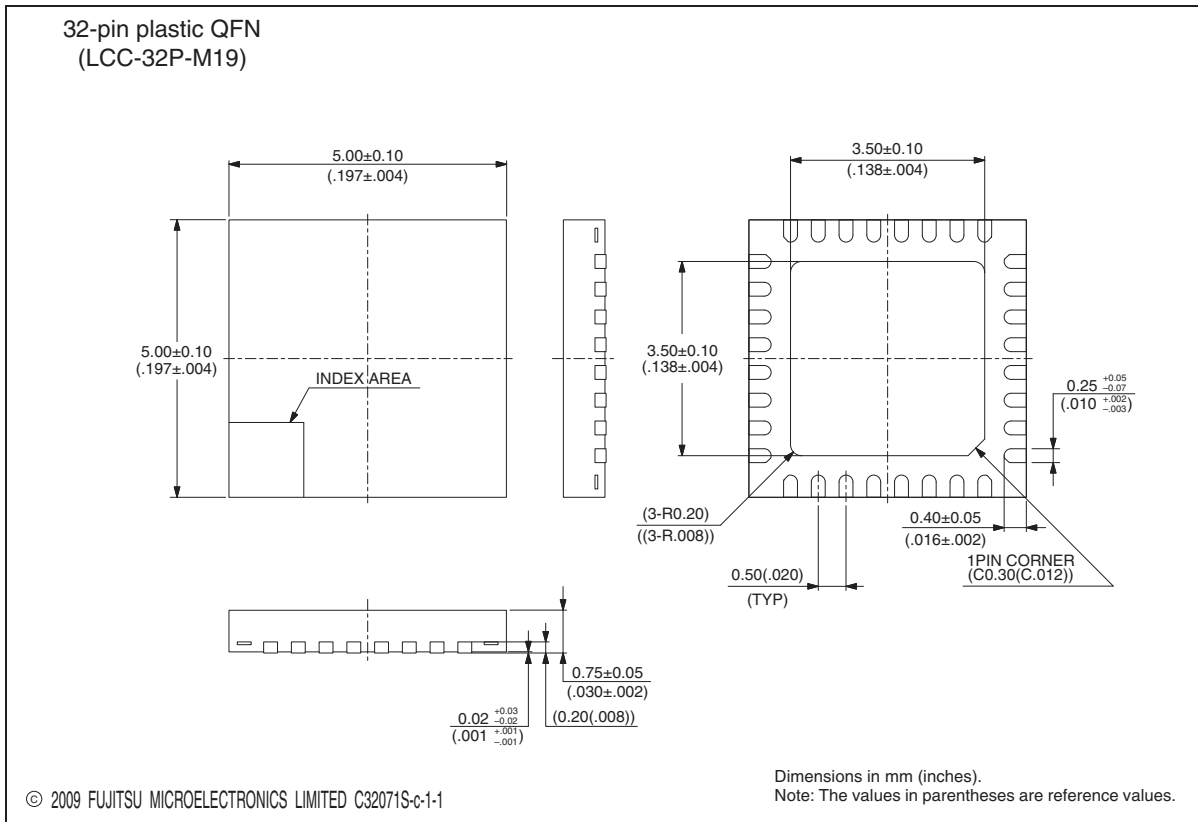
<p>32-pin plastic SH-DIP</p>  <p>(DIP-32P-M06)</p>	Lead pitch	1.778 mm
	Low space	10.16 mm
	Sealing method	Plastic mold



(Continued)

(Continued)

<p>32-pin plastic QFN</p>  <p>(LCC-32P-M19)</p>	Lead pitch	0.50 mm	
	Package width × package length	5.00 mm × 5.00 mm	
	Sealing method	Plastic mold	
	Mounting height	0.80 mm MAX	
	Weight	0.06 g	



Document History

Document Title: MB95F332H/F332K/F333H/F333K/F334H/F334K F ² MC-8FX MB95330H Series 8-bit Microcontrollers				
Document Number: 002-07522				
Revision	ECN	Orig. of Change	Submission Date	Description of Change
**	—	AKIH	04/12/2010	Migrated to Cypress and assigned document number 002-07522. No change to document contents or format.
*A	5181238	AKIH	04/04/2016	Updated to Cypress template

Sales, Solutions, and Legal Information

Worldwide Sales and Design Support

Cypress maintains a worldwide network of offices, solution centers, manufacturer's representatives, and distributors. To find the office closest to you, visit us at [Cypress Locations](#).

Products

ARM® Cortex® Microcontrollers	cypress.com/arm
Automotive	cypress.com/automotive
Clocks & Buffers	cypress.com/clocks
Interface	cypress.com/interface
Lighting & Power Control	cypress.com/powerpsoc
Memory	cypress.com/memory
PSoC	cypress.com/psoc
Touch Sensing	cypress.com/touch
USB Controllers	cypress.com/usb
Wireless/RF	cypress.com/wireless

PSoC® Solutions

cypress.com/psoc
PSoC 1 | PSoC 3 | PSoC 4 | PSoC 5LP

Cypress Developer Community

[Community](#) | [Forums](#) | [Blogs](#) | [Video](#) | [Training](#)

Technical Support

cypress.com/support

© Cypress Semiconductor Corporation 2010-2016. This document is the property of Cypress Semiconductor Corporation and its subsidiaries, including Spansion LLC ("Cypress"). This document, including any software or firmware included or referenced in this document ("Software"), is owned by Cypress under the intellectual property laws and treaties of the United States and other countries worldwide. Cypress reserves all rights under such laws and treaties and does not, except as specifically stated in this paragraph, grant any license under its patents, copyrights, trademarks, or other intellectual property rights. If the Software is not accompanied by a license agreement and you do not otherwise have a written agreement with Cypress governing the use of the Software, then Cypress hereby grants you under its copyright rights in the Software, a personal, non-exclusive, nontransferable license (without the right to sublicense) (a) for Software provided in source code form, to modify and reproduce the Software solely for use with Cypress hardware products, only internally within your organization, and (b) to distribute the Software in binary code form externally to end users (either directly or indirectly through resellers and distributors), solely for use on Cypress hardware product units. Cypress also grants you a personal, non-exclusive, nontransferable, license (without the right to sublicense) under those claims of Cypress's patents that are infringed by the Software (as provided by Cypress, unmodified) to make, use, distribute, and import the Software solely to the minimum extent that is necessary for you to exercise your rights under the copyright license granted in the previous sentence. Any other use, reproduction, modification, translation, or compilation of the Software is prohibited.

CYPRESS MAKES NO WARRANTY OF ANY KIND, EXPRESS OR IMPLIED, WITH REGARD TO THIS DOCUMENT OR ANY SOFTWARE, INCLUDING, BUT NOT LIMITED TO, THE IMPLIED WARRANTIES OF MERCHANTABILITY AND FITNESS FOR A PARTICULAR PURPOSE. Cypress reserves the right to make changes to this document without further notice. Cypress does not assume any liability arising out of the application or use of any product or circuit described in this document. Any information provided in this document, including any sample design information or programming code, is provided only for reference purposes. It is the responsibility of the user of this document to properly design, program, and test the functionality and safety of any application made of this information and any resulting product. Cypress products are not designed, intended, or authorized for use as critical components in systems designed or intended for the operation of weapons, weapons systems, nuclear installations, life-support devices or systems, other medical devices or systems (including resuscitation equipment and surgical implants), pollution control or hazardous substances management, or other uses where the failure of the device or system could cause personal injury, death, or property damage ("Unintended Uses"). A critical component is any component of a device or system whose failure to perform can be reasonably expected to cause the failure of the device or system, or to affect its safety or effectiveness. Cypress is not liable, in whole or in part, and Company shall and hereby does release Cypress from any claim, damage, or other liability arising from or related to all Unintended Uses of Cypress products. Company shall indemnify and hold Cypress harmless from and against all claims, costs, damages, and other liabilities, including claims for personal injury or death, arising from or related to any Unintended Uses of Cypress products.

Cypress, the Cypress logo, Spansion, the Spansion logo, and combinations thereof, PSoC, CapSense, EZ-USB, F-RAM, and Traveo are trademarks or registered trademarks of Cypress in the United States and other countries. For a more complete list of Cypress trademarks, visit cypress.com. Other names and brands may be claimed as property of their respective owners.

Looking for pricing, stock, or lifecycle information?

Click below to explore more details on WIN SOURCE:

- [View MB95F334K on WIN SOURCE](#)
- [Fujitsu Electronics America, Inc. Information](#)

Optimize Your Supply Chain with WIN SOURCE Solutions

- ✓ Global Sourcing Solution
- ✓ Obsolete Management
- ✓ Cost Control Management
- ✓ Shortage Management
- ✓ Alternative Solution
- ✓ Excess Inventory Management