



**THE DATASHEET OF  
MB3793-42PF-G-BND-JN-6E1**



## ASSP

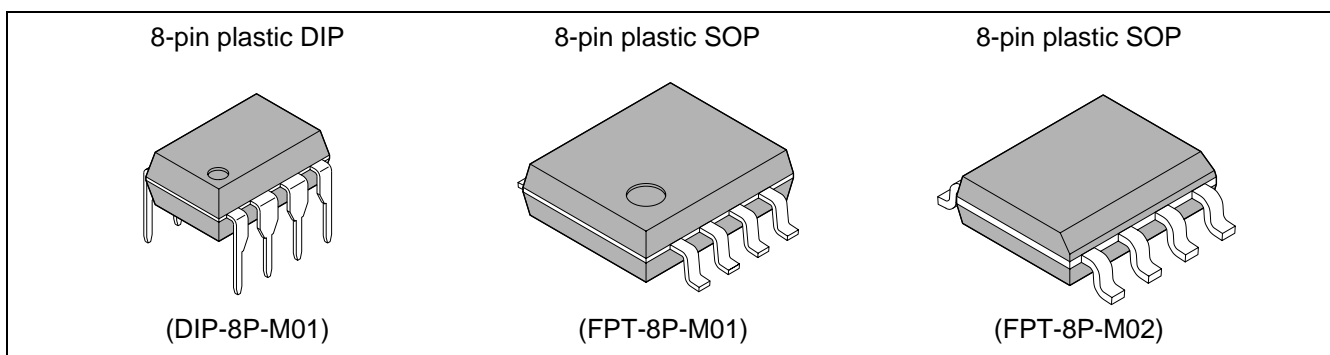
**POWER-VOLTAGE MONITORING IC  
WITH WATCHDOG TIMER****MB3793-42****DESCRIPTION**

The MB3793 is an integrated circuit to monitor power voltage; it incorporates a watchdog timer. A reset signal is output when the power is cut or falls abruptly. When the power recovers normally after resetting, a power-on reset signal is output to microprocessor units (MPUs). An internal watchdog timer with two inputs for system operation diagnosis can provide a fail-safe function for various application systems. There is also a mask option that can detect voltages of 4.9 to 2.4V in 0.1-V steps. The model number and package code are as shown below.

Model No.	Package code	Detection voltage
MB3793-42	3793-A	4.2 V

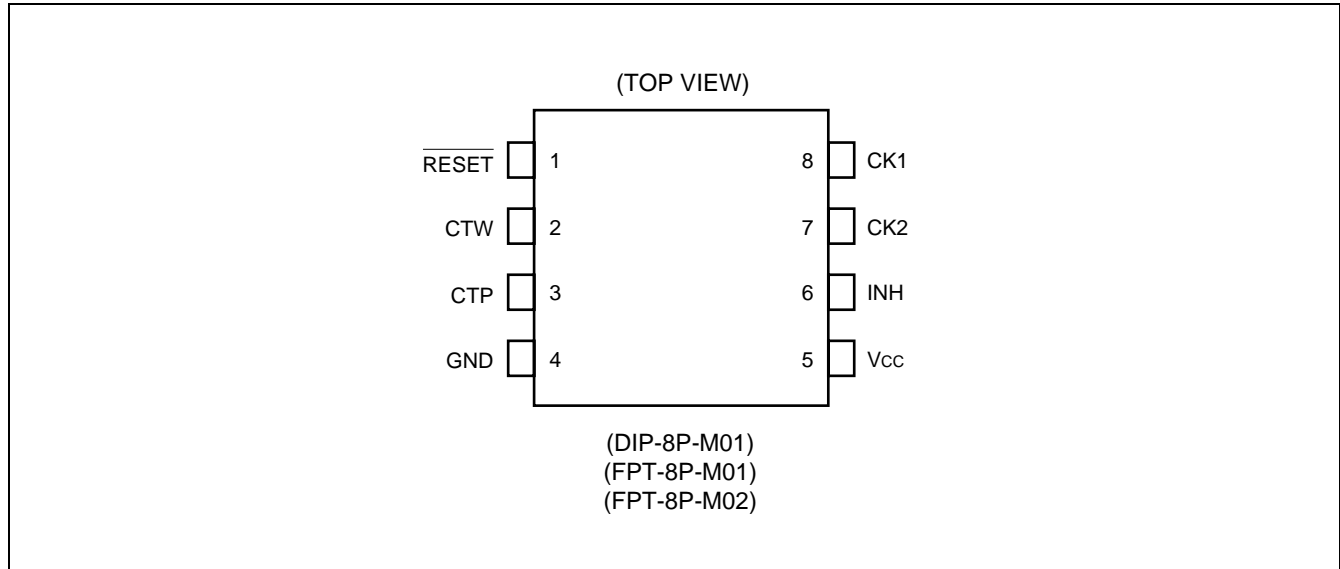
**FEATURES**

- Precise detection of power voltage fall:  $\pm 2.5\%$
- Detection voltage with hysteresis
- Low power dispersion:  $I_{cc} = 27 \mu\text{A}$  (reference)
- Internal dual-input watchdog timer
- Watchdog timer halt function (by inhibition terminal)
- Independently-set watchdog and reset times
- Mask option for detection voltage (4.9 to 2.4 V, 0.1-V steps)

**PACKAGES**

# MB3793-42

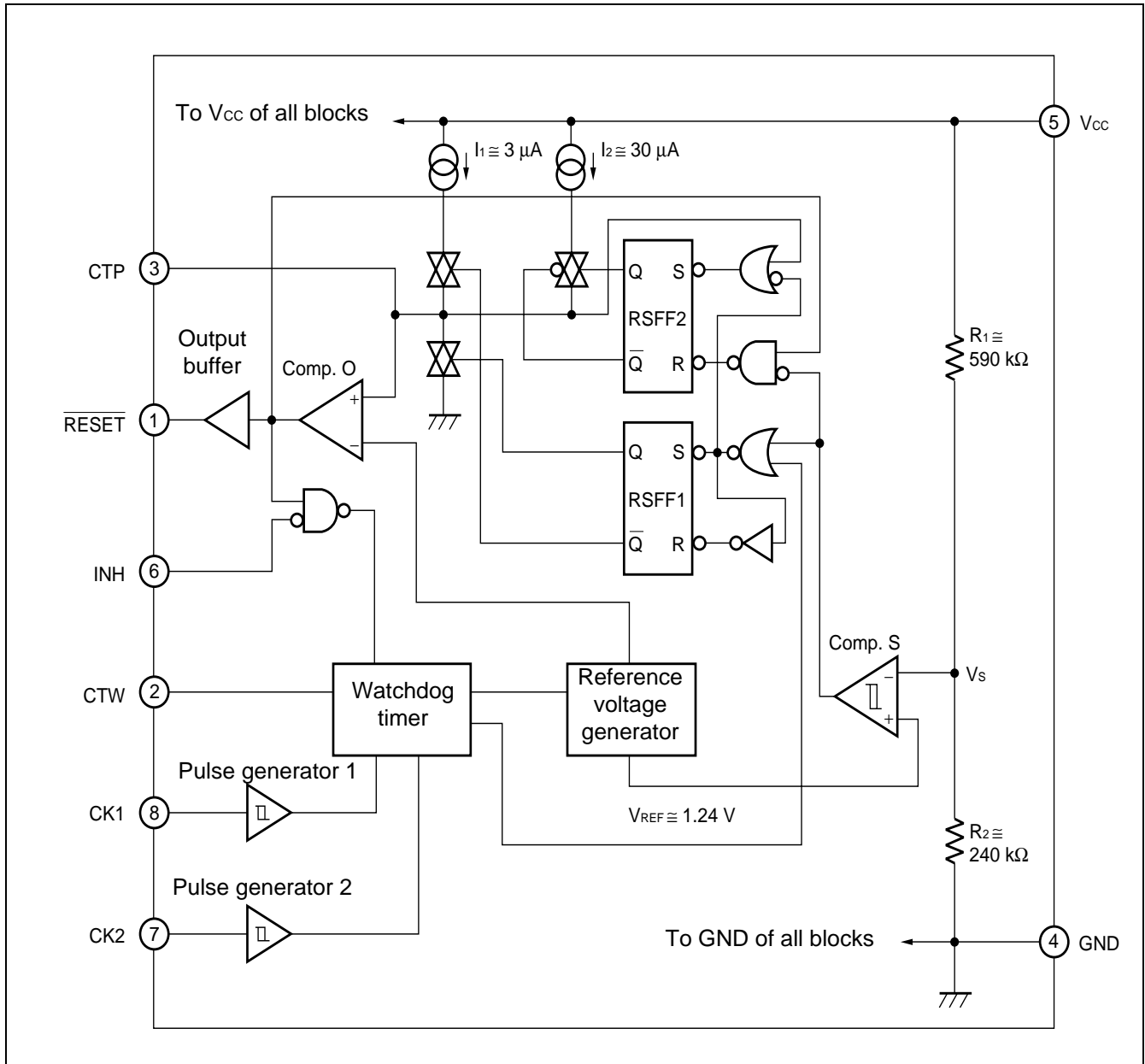
## ■ PIN ASSIGNMENT



## ■ PIN DESCRIPTION

Pin No.	Symbol	Description	Pin No.	Symbol	Description
1	$\overline{\text{RESET}}$	Outputs reset	5	Vcc	Power supply
2	CTW	Sets monitoring time	6	INH	Inhibits watchdog timer function
3	CTP	Sets power-on reset hold time	7	CK2	Inputs clock 2
4	GND	Ground	8	CK1	Inputs clock 1

## ■ BLOCK DIAGRAM



## ■ BLOCK FUNCTIONS

### 1. Comp. S

Comp. S is a comparator with hysteresis to compare the reference voltage with a voltage ( $V_s$ ) that is the result of dividing the power voltage ( $V_{CC}$ ) by resistors  $R_1$  and  $R_2$ . When  $V_s$  falls below 1.24 V, a reset signal is output. This function enables the MB3793 to detect an abnormality within 1  $\mu$ s when the power is cut or falls abruptly.

### 2. Comp. O

Comp. O is a comparator to control the reset signal ( $\overline{\text{RESET}}$ ) output and compares the threshold voltage with the voltage at the CTP terminal for setting the power-on reset hold time. When the voltage at the CTP terminal exceeds the threshold voltage, resetting is canceled.

### 3. Reset output buffer

Since the reset ( $\overline{\text{RESET}}$ ) output buffer has CMOS organization, no pull-up resistor is needed.

### 4. Pulse generator

The pulse generator generates pulses when the voltage at the CK1 and CK2 clock terminals changes to High from Low level (positive-edge trigger) and exceeds the threshold voltage; it sends the clock signal to the watchdog timer.

### 5. Watchdog timer

The watchdog timer can monitor two clock pulses. Short-circuit the CK1 and CK2 clock terminals to monitor a single clock pulse.

### 6. Inhibition terminal

The inhibition (INH) terminal forces the watchdog timer on/off. When this terminal is High level, the watchdog timer is stopped.

### 7. Flip-flop circuit

The flip-flop circuit RSFF1 controls charging and discharging of the power-on reset hold time setting capacity ( $C_{TP}$ ). The flip-flop circuit RSFF2 switches the charging accelerator for charging  $C_{TP}$  during resetting on/off. This circuit only functions during resetting and does not function at power-on reset.

## ■ ABSOLUTE MAXIMUM RATINGS

(Ta = +25°C)

Parameter	Symbol	Rating		Unit
		Min	Max	
Power voltage*	V <sub>CC</sub>	-0.3	+7	V
Input voltage*	CK1	-0.3	+7	V
	CK2			
	INH			
Reset output voltage (direct current)	$\overline{\text{RESET}}$ I <sub>OL</sub> I <sub>OH</sub>	-10	+10	mA
Power dissipation (Ta ≤ +85°C)	P <sub>D</sub>	—	200	mW
Storage temperature	T <sub>stg</sub>	-55	+125	°C

\*: The power voltage is based on the ground voltage (0 V).

**WARNING:** Semiconductor devices can be permanently damaged by application of stress (voltage, current, temperature, etc.) in excess of absolute maximum ratings. Do not exceed these ratings.

## ■ RECOMMENDED OPERATING CONDITIONS

Parameter	Symbol	Value			Unit
		Min	Typ	Max	
Power supply voltage	V <sub>CC</sub>	1.2	5.0	6.0	V
Reset ( $\overline{\text{RESET}}$ ) output current	I <sub>OL</sub> I <sub>OH</sub>	-5	—	+5	mA
Power-on reset hold time setting capacity	C <sub>TP</sub>	0.001	0.1	10	μF
Watchdog timer monitoring time setting capacity	C <sub>TW</sub>	0.001	0.1	1	μF
Watchdog timer monitoring time	t <sub>WD</sub>	0.1	—	1500	ms
Operating ambient temperature	T <sub>a</sub>	-40	+25	+85	°C

**WARNING:** The recommended operating conditions are required in order to ensure the normal operation of the semiconductor device. All of the device's electrical characteristics are warranted when the device is operated within these ranges.

Always use semiconductor devices within their recommended operating condition ranges. Operation outside these ranges may adversely affect reliability and could result in device failure.

No warranty is made with respect to uses, operating conditions, or combinations not represented on the data sheet. Users considering application outside the listed conditions are advised to contact their FUJITSU representatives beforehand.

# MB3793-42

## ■ ELECTRICAL CHARACTERISTICS

### 1. DC Characteristics

( $V_{CC} = +5\text{ V}$ ,  $T_a = +25^\circ\text{C}$ )

Parameter	Symbol	Conditions		Value			Unit
				Min	Typ	Max	
Power current	$I_{CC1}$	Watchdog timer operation*1		—	27	50	$\mu\text{A}$
	$I_{CC2}$	Watchdog timer halt*2		—	25	45	
Detection voltage	$V_{SL}$	V <sub>CC</sub> falling	$T_a = +25^\circ\text{C}$	4.10	4.20	4.30	V
			$T_a = -40\text{ to }+85^\circ\text{C}$	4.05	4.20	4.35	
	$V_{SH}$	V <sub>CC</sub> rising	$T_a = +25^\circ\text{C}$	4.20	4.30	4.40	V
			$T_a = -40\text{ to }+85^\circ\text{C}$	4.15	4.30	4.45	
Detection voltage hysteresis difference	$V_{SHYS}$	$V_{SH} - V_{SL}$		50	100	150	mV
CK input threshold voltage	$V_{CIH}$	—		(1.4)	1.9	(2.5)	V
	$V_{CIL}$	—		(0.8)	1.3	(1.8)	V
CK input hysteresis	$V_{CHYS}$	—		(0.4)	0.6	(0.8)	V
INH input voltage	$V_{IIH}$	—		3.5	—	$V_{CC}$	V
	$V_{IIL}$	—		0	0	0.8	V
Input current (CK1,CK2,INH)	$I_{IH}$	$V_{CK} = V_{CC}$		—	0	1.0	$\mu\text{A}$
	$I_{IL}$	$V_{CK} = 0\text{ V}$		-1.0	0	—	$\mu\text{A}$
Reset output voltage	$V_{OH}$	$I_{\overline{\text{RESET}}} = -5\text{ mA}$		4.5	4.75	—	V
	$V_{OL}$	$I_{\overline{\text{RESET}}} = +5\text{ mA}$		—	0.12	0.4	V
Reset-output minimum power voltage	$V_{CCL}$	$I_{\overline{\text{RESET}}} = +50\ \mu\text{A}$		—	0.8	1.2	V

\*1: At clock input terminals CK1 and CK2, the pulse input frequency is 1 kHz and the pulse amplitude is 0 V to  $V_{CC}$ .

\*2: Inhibition input is at High level.

## 2. AC Characteristics

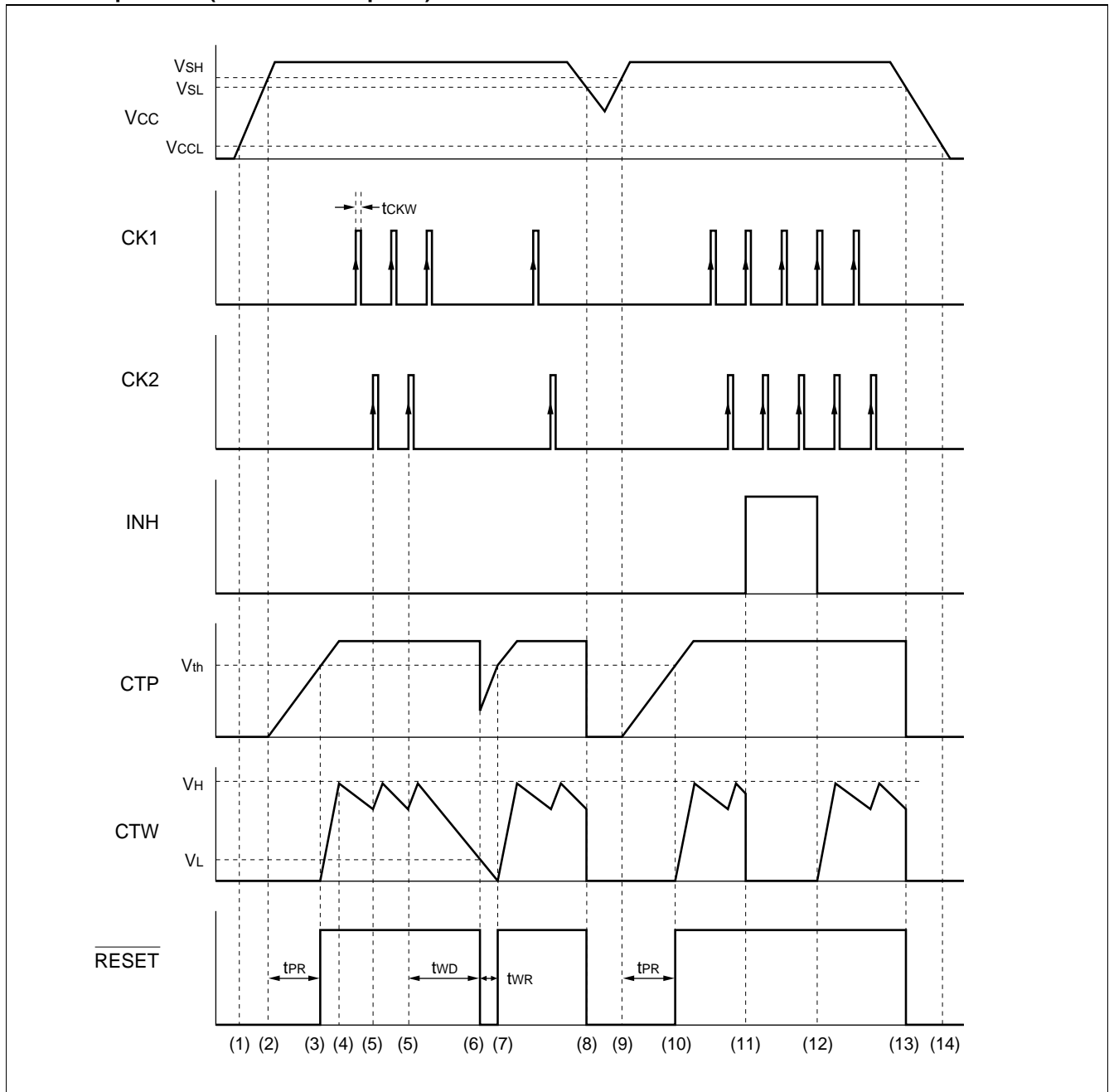
( $V_{CC} = +5\text{ V}$ ,  $T_a = +25^\circ\text{C}$ )

Parameter	Symbol	Conditions	Value			Unit	
			Min	Typ	Max		
Power-on reset hold time	t <sub>PR</sub>	C <sub>TP</sub> = 0.1 μF	80	130	180	ms	
Watchdog timer monitoring time	t <sub>WD</sub>	C <sub>TW</sub> = 0.01 μF C <sub>TP</sub> = 0.1 μF	7.5	15	22.5	ms	
Watchdog timer reset time	t <sub>WR</sub>	C <sub>TP</sub> = 0.1 μF	5	10	15	ms	
CK input pulse duration	t <sub>CKW</sub>	—	500	—	—	ns	
CK input pulse cycle	t <sub>CKT</sub>	—	20	—	—	μs	
Reset ( $\overline{\text{RESET}}$ ) output transition time	Rising	t <sub>r</sub> *	CL = 50 pF	—	—	500	ns
	Falling	t <sub>f</sub> *	CL = 50 pF	—	—	500	ns

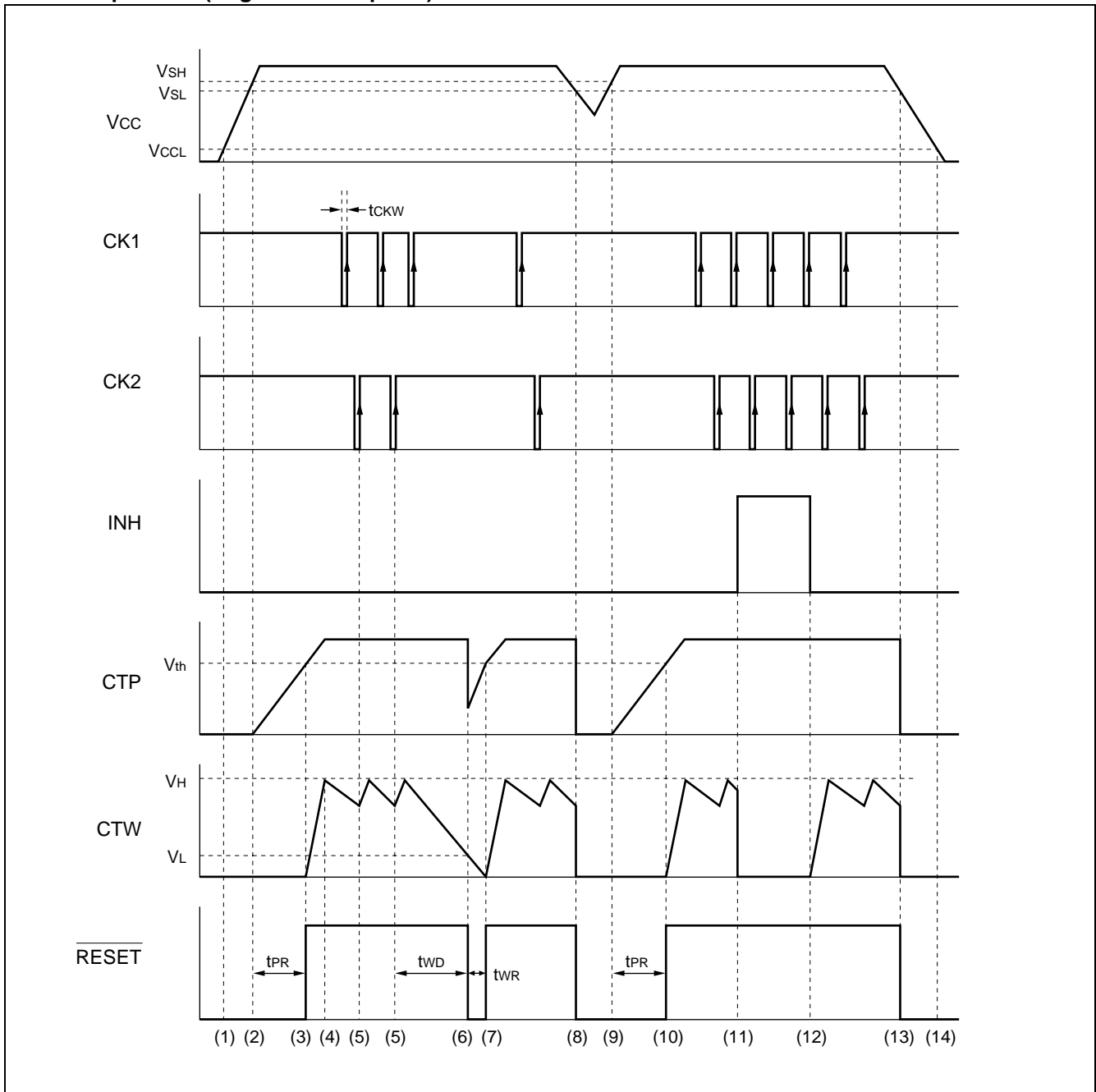
\*: The voltage range is 10% to 90% at testing the reset output transition time.

## ■ TIMING DIAGRAM

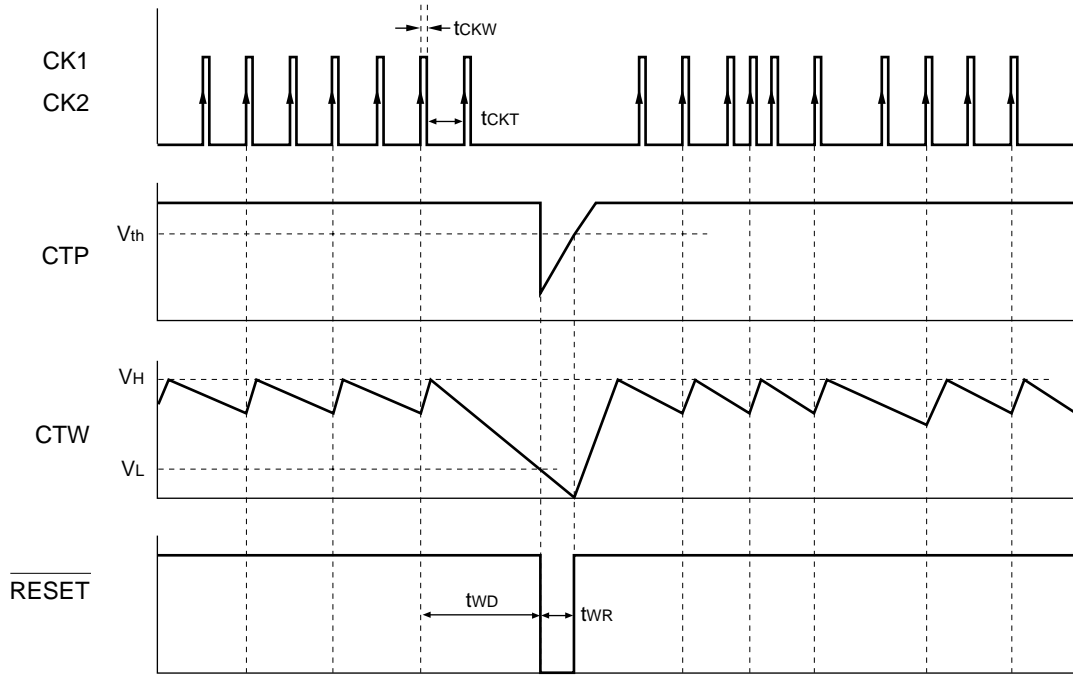
### 1. Basic operation (Positive clock pulse)



## 2. Basic operation (Negative clock pulse)

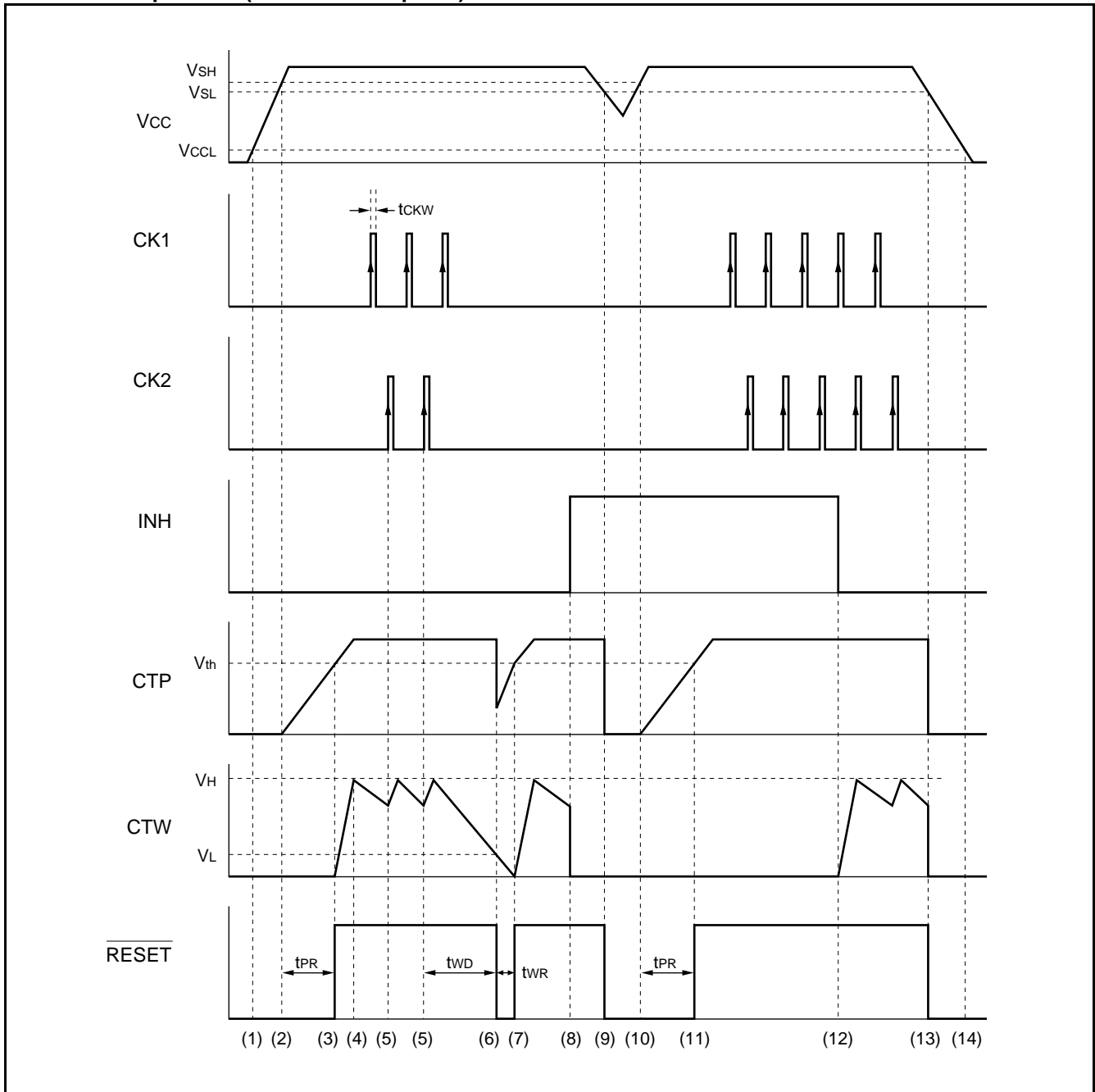


## 3. Single-clock input monitoring (Positive clock pulse)

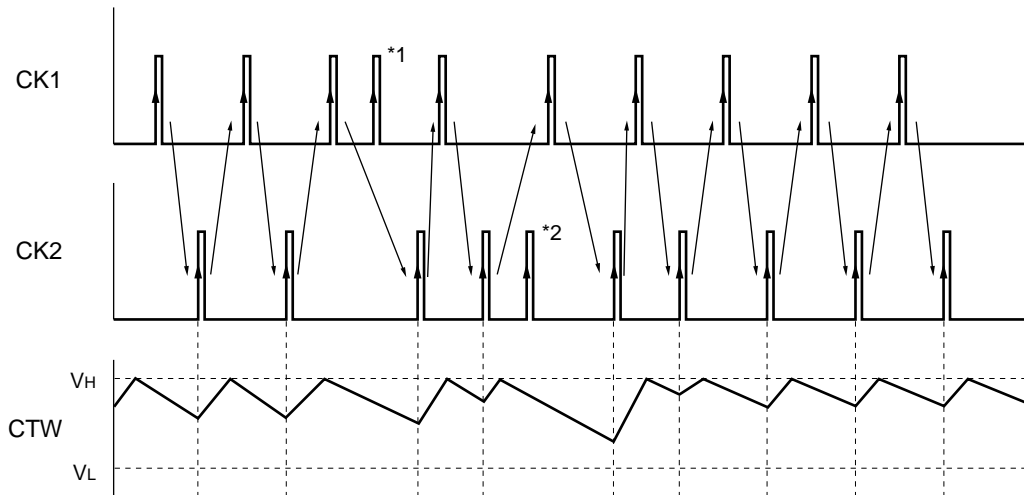


Note: The MB3793 can monitor only one clock.  
 The MB3793 checks the clock signal at every other input pulse. Therefore, set watchdog timer monitor time  $t_{WD}$  to the time that allows the MB3793 to monitor the period twice as long as the input clock pulse.

## 4. Inhibition operation (Positive clock pulse)

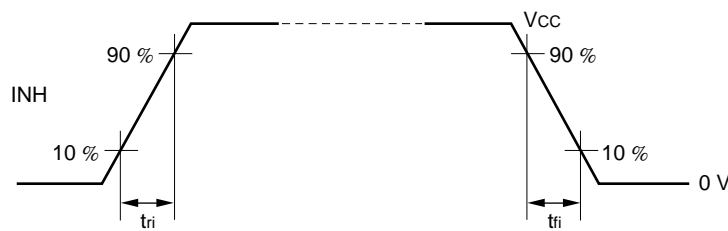


## 5. Clock pulse input (Positive clock pulse)



Note: The MB3793 watchdog timer monitors Clock 1 (CK1) and Clock 2 (CK2) pulses alternately. When a CK2 pulse is detected after detecting a CK1 pulse, the monitoring time setting capacity ( $C_{TW}$ ) switches to charging from discharging. When two consecutive pulses occur on one side of this alternation before switching, the second pulse is ignored. In the above figure, pulses \*1 and \*2 are ignored.

## 6. Inhibition input rising and falling time



## ■ OPERATION SEQUENCE

The operation sequence is explained by using “■ TIMING DIAGRAM 1. Basic operation (Positive clock pulse)”. The following item numbers correspond to the numbers in “■ TIMING DIAGRAM 1. Basic operation (Positive clock pulse)”.

- (1) When the power voltage ( $V_{CC}$ ) reaches about 0.8 V ( $V_{CCL}$ ), a reset signal is output.
- (2) When  $V_{CC}$  exceeds the rising-edge detection voltage ( $V_{SH}$ ), charging of power-on reset hold time setting capacitance ( $C_{TP}$ ) is started.  $V_{SH}$  is about 4.3 V.
- (3) When the voltage at the CTP terminal setting the power-on reset hold time exceeds the threshold voltage ( $V_{th}$ ), resetting is canceled and the voltage at the RESET terminal changes to High level to start charging of the watchdog timer monitoring time setting capacitance ( $C_{TW}$ ).  $V_{th}$  is about 3.6 V.

The power-on reset hold time ( $t_{PR}$ ) can be calculated by the following equation.

$$t_{PR} \text{ (ms)} \approx A \times C_{TP} \text{ (}\mu\text{F)}$$

Where, A is about 1300.

- (4) When the voltage at the CTW terminal setting the monitoring time reaches High level ( $V_H$ ),  $C_{TW}$  switches to discharging from charging.  $V_H$  is about 1.24 V (reference value).
- (5) When clock pulses are input to the CK2 terminal during  $C_{TW}$  discharging after clock pulses are input to the CK1 terminal—positive-edge trigger,  $C_{TW}$  switches to charging.
- (6) If clock pulse input does not occur at either the CK1 or CK2 clock terminals during the watchdog timer monitoring time ( $t_{WD}$ ), the CTW voltage falls below Low level ( $V_L$ ), a reset signal is output, and the voltage at the RESET terminal changes to Low level.  $V_L$  is about 0.24 V.

$t_{WD}$  can be calculated from the following equation.

$$t_{WD} \text{ (ms)} \approx B \times C_{TW} \text{ (}\mu\text{F)} + C \times C_{TP} \text{ (}\mu\text{F)}$$

Where, B is about 1500. C is about 3; it is much smaller than B.

Hence, when  $C_{TP} / C_{TW} \leq 10$ , the calculation can be simplified as follows:

$$t_{WD} \text{ (ms)} \approx B \times C_{TW} \text{ (}\mu\text{F)}$$

- (7) When the voltage of the CTP terminal exceeds  $V_{th}$  again as a result of recharging  $C_{TP}$ , resetting is canceled and the watchdog timer restarts monitoring.

The watchdog timer reset time ( $t_{WR}$ ) can be calculated by the following equation.

$$t_{WR} \text{ (ms)} \approx D \times C_{TP} \text{ (}\mu\text{F)}$$

Where, D is about 100.

- (8) When  $V_{CC}$  falls below the rising-edge detection voltage ( $V_{SL}$ ), the voltage of the CTP terminal falls and a reset signal is output, and the voltage at the RESET terminal changes to Low level.  $V_{SL}$  is about 4.2 V.
- (9) When  $V_{CC}$  exceeds  $V_{SH}$ ,  $C_{TP}$  begins charging.
- (10) When the voltage of the CTP terminal exceeds  $V_{th}$ , resetting is canceled and the watchdog timer restarts.
- (11) When an inhibition signal is input (INH terminal is High level), the watchdog timer is halted forcibly. In this case,  $V_{CC}$  monitoring is continued without the watchdog timer. The watchdog timer does not function unless this inhibition input is canceled.
- (12) When the inhibition input is canceled (INH terminal is Low level), the watchdog timer restarts.
- (13) When the  $V_{CC}$  voltage falls below  $V_{SL}$  after power-off, a reset signal is output.
- (14) When the power voltage ( $V_{CC}$ ) falls below about 0.8 V ( $V_{CCL}$ ), a reset signal is released.

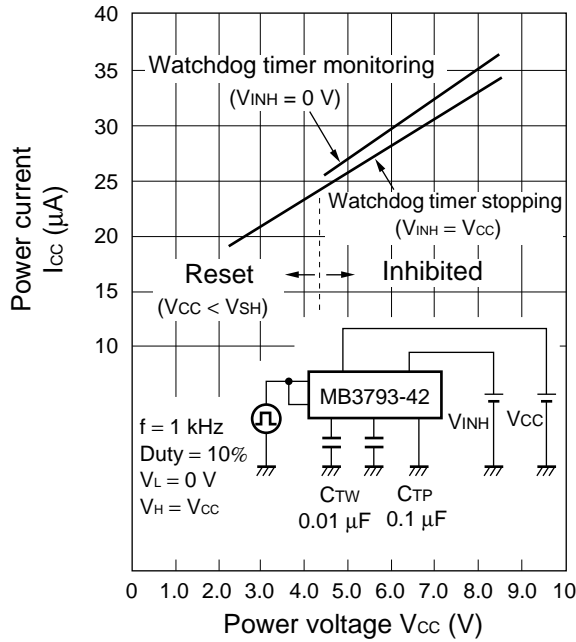
Similar operation is also performed for negative clock-pulse input (“■ TIMING DIAGRAM 2. Basic operation (Negative clock pulse)”).

Short-circuit the clock terminals CK1 and CK2 to monitor a single clock. The basic operation is the same but the clock pulses are monitored at every other pulse (■ TIMING Diagram 3. Single-clock input monitoring).

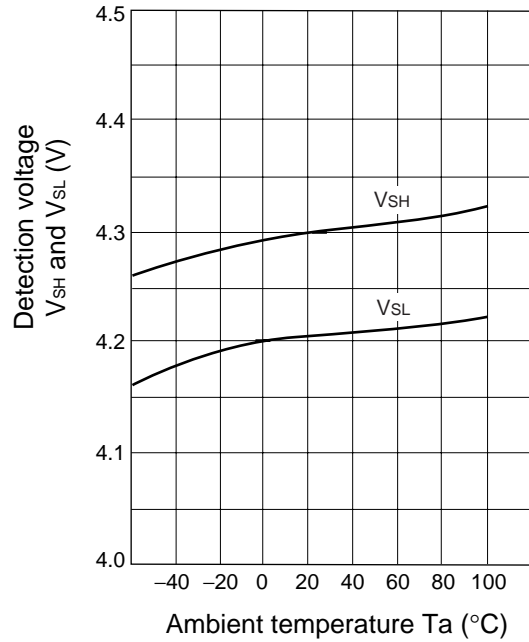
# MB3793-42

## TYPICAL CHARACTERISTICS

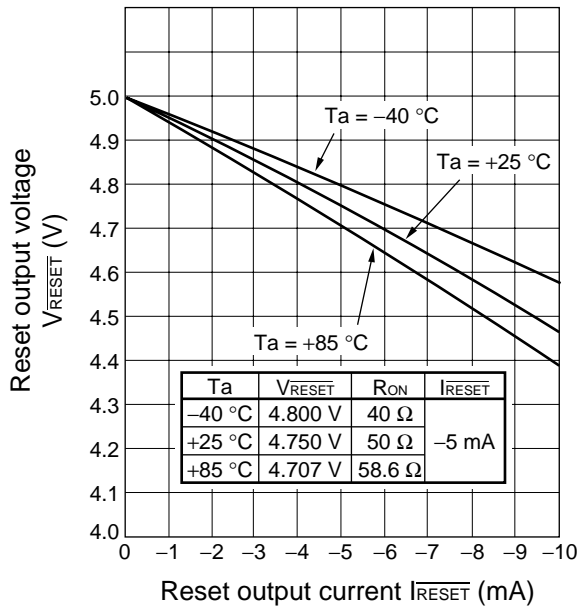
Power Current - Power Voltage



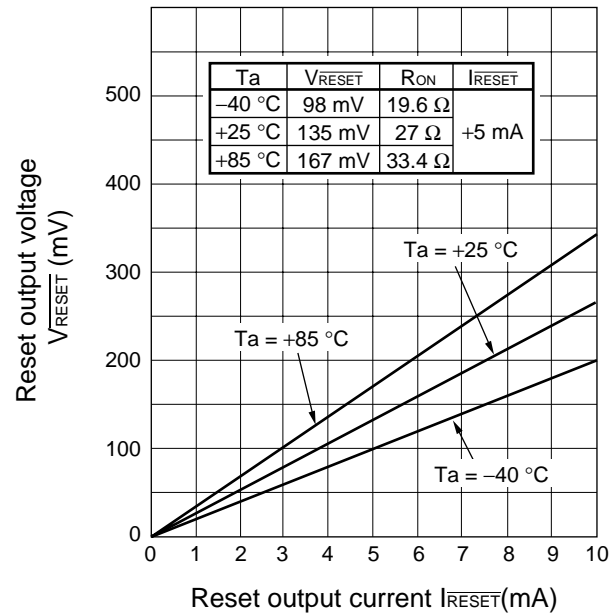
Detection Voltage - Ambient Temperature



Reset Output Voltage - Reset Output Current (P-MOS side)

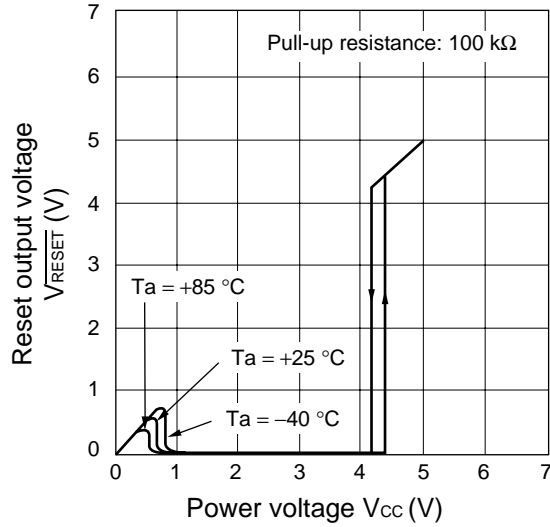


Reset Output Voltage - Reset Output Current (N-MOS side)

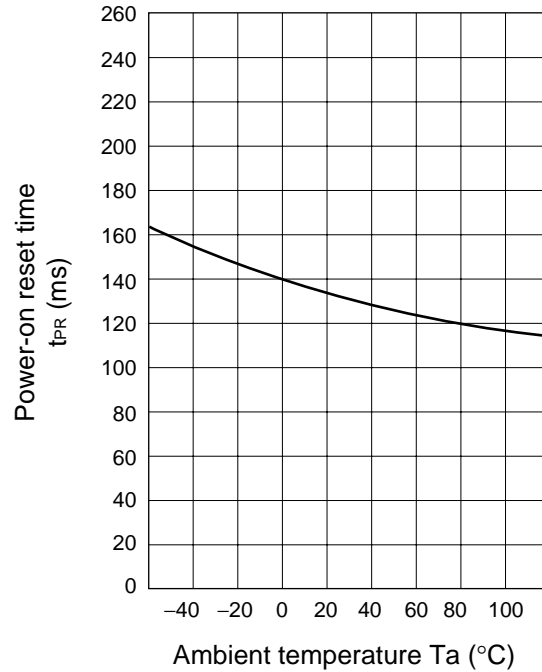


(Continued)

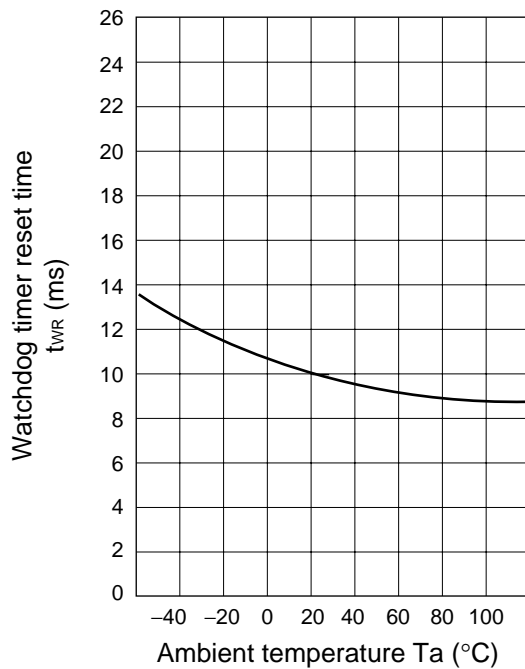
**Reset Output Voltage - Power Voltage**



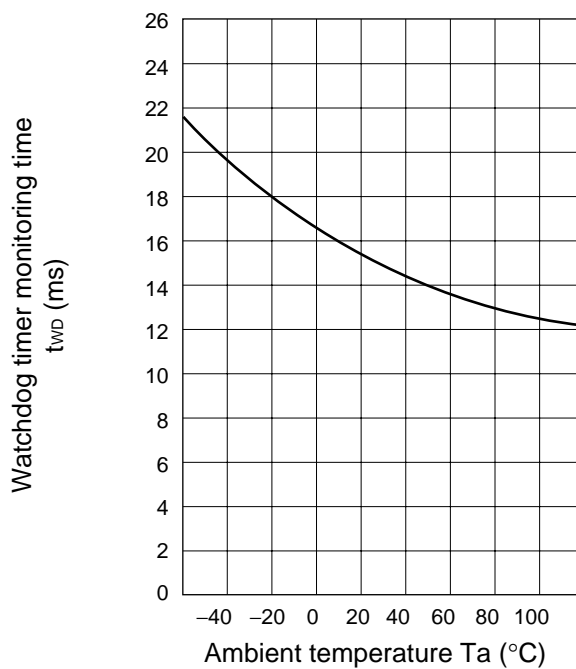
**Reset-on Reset Time - Ambient Temperature (when  $V_{CC}$  rising)**



**Watchdog Timer Reset Time - Ambient Temperature (when monitoring)**



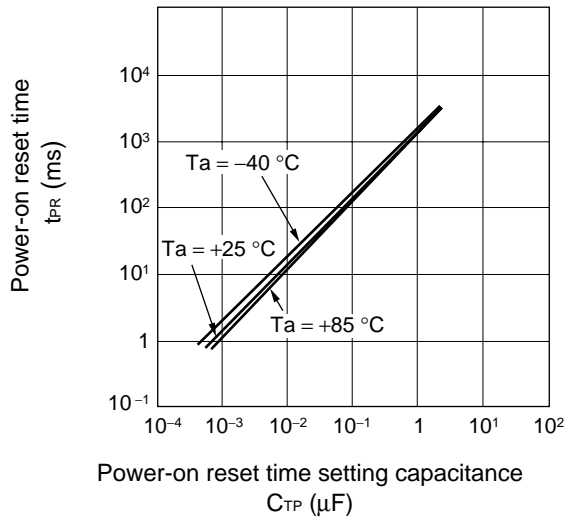
**Watchdog Timer Monitoring Time - Ambient Temperature**



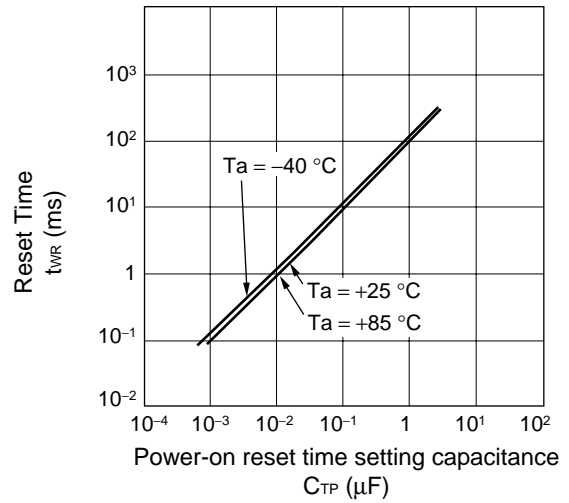
(Continued)

(Continued)

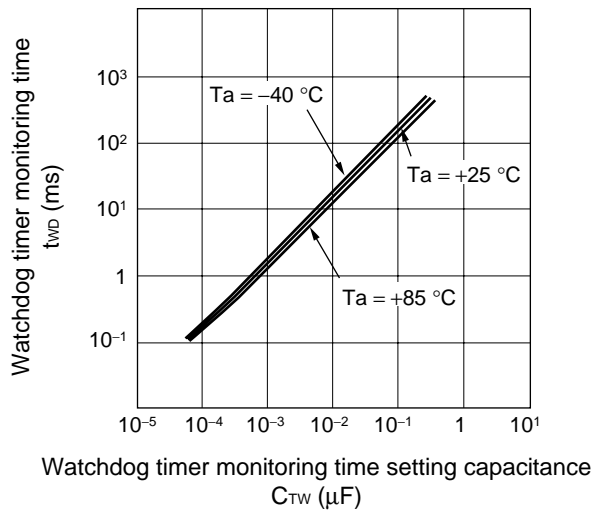
**Power-on Reset Time -  $C_{TP}$  Capacitance**



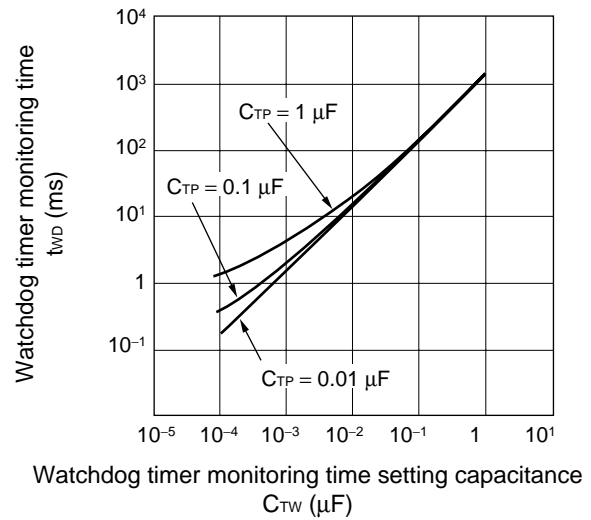
**Reset Time -  $C_{TP}$  Capacitance**



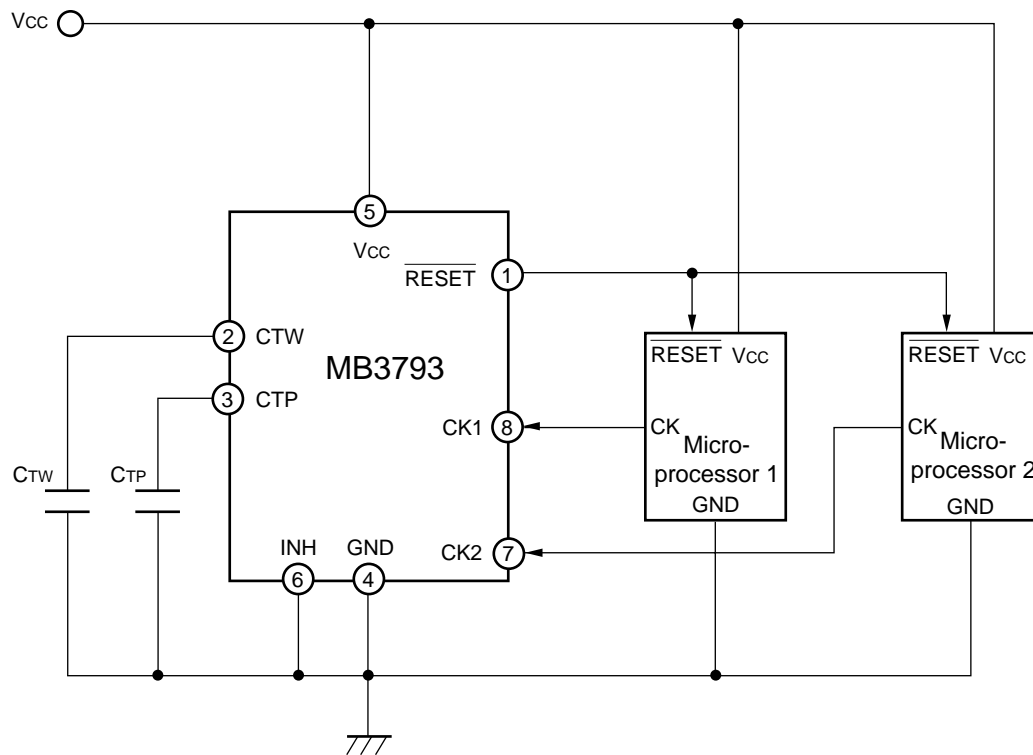
**Watchdog Timer Monitoring Time -  $C_{TW}$  Capacitance (under  $T_a$  condition)**



**Watchdog Timer Monitoring Time -  $C_{TW}$  Capacitance**



## ■ STANDARD CONNECTION



Equation of time-setting capacitances ( $C_{TP}$  and  $C_{TW}$ ) and set time

$$t_{PR} \text{ (ms)} \approx A \times C_{TP} \text{ (}\mu\text{F)}$$

$$t_{WD} \text{ (ms)} \approx B \times C_{TW} \text{ (}\mu\text{F)} + C \times C_{TP} \text{ (}\mu\text{F)}$$

However, when  $C_{TP}/C_{TW} \leq 10$ ,

$$t_{WD} \text{ (ms)} \approx B \times C_{TW} \text{ (}\mu\text{F)}$$

$$t_{WR} \text{ (ms)} \approx D \times C_{TP} \text{ (}\mu\text{F)}$$

Value of A, B, C and D

A	B	C	D	Remark
1300	1500	3	100	

(Example) When  $C_{TP} = 0.1 \mu\text{F}$  and  $C_{TW} = 0.01 \mu\text{F}$ ,

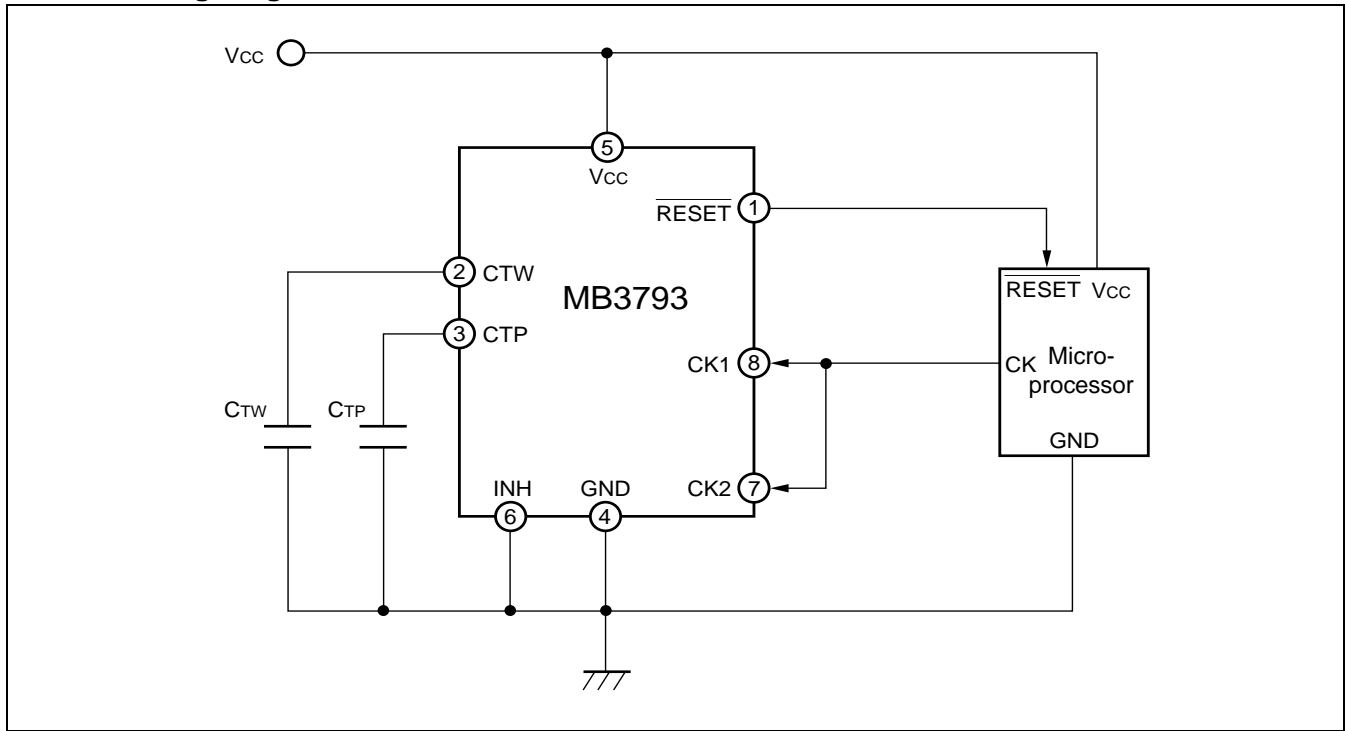
$$t_{PR} \approx 130 \text{ [ms]}$$

$$t_{WD} \approx 15 \text{ [ms]}$$

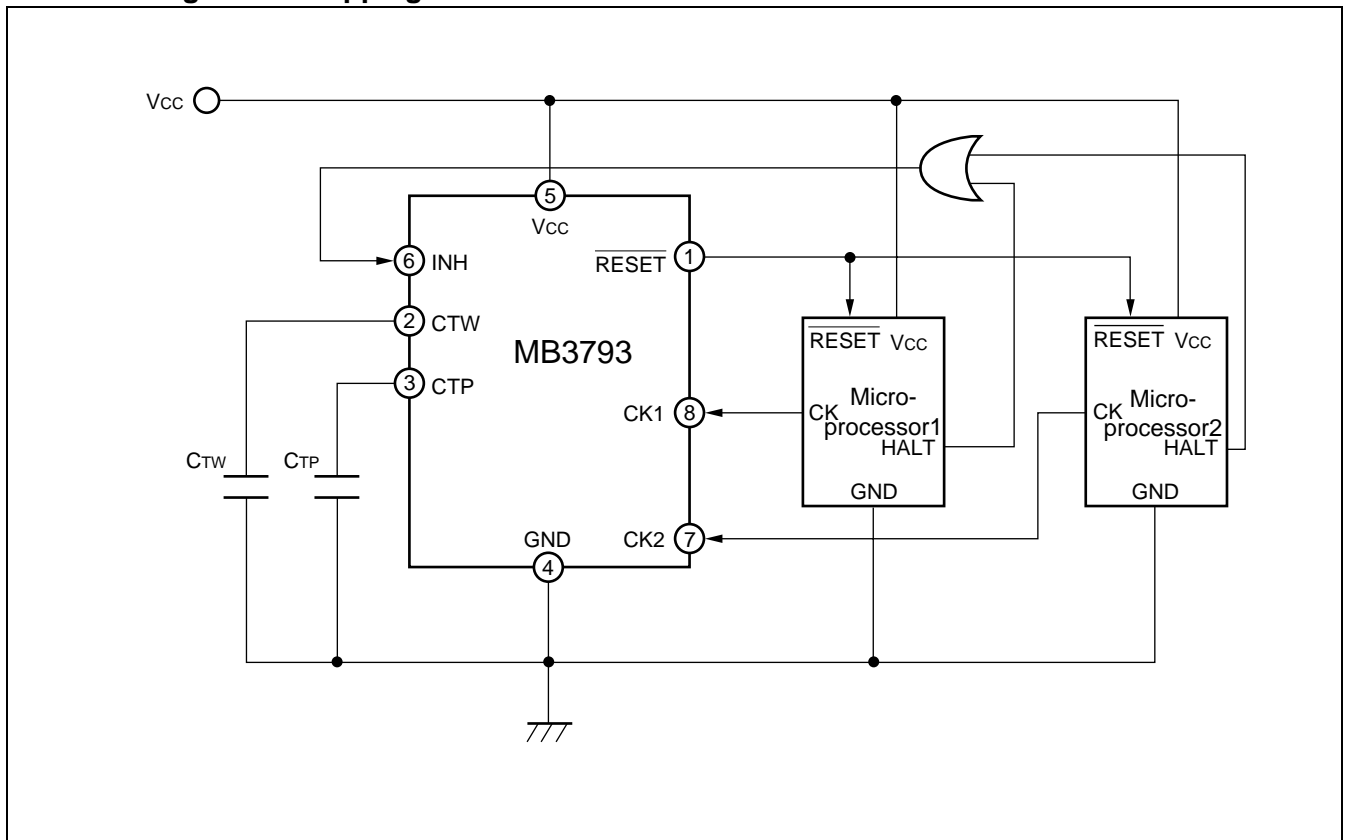
$$t_{WR} \approx 10 \text{ [ms]}$$

## ■ APPLICATION EXAMPLE

### 1. Monitoring Single Clock



### 2. Watchdog Timer Stopping



## ■ NOTES ON USE

- Take account of common impedance when designing the earth line on a printed wiring board.
- Take measures against static electricity.
  - For semiconductors, use antistatic or conductive containers.
  - When storing or carrying a printed circuit board after chip mounting, put it in a conductive bag or container.
  - The work table, tools and measuring instruments must be grounded.
  - The worker must put on a grounding device containing 250 k $\Omega$  to 1 M $\Omega$  resistors in series.
- Do not apply a negative voltage
  - Applying a negative voltage of  $-0.3$  V or less to an LSI may generate a parasitic transistor, resulting in malfunction.

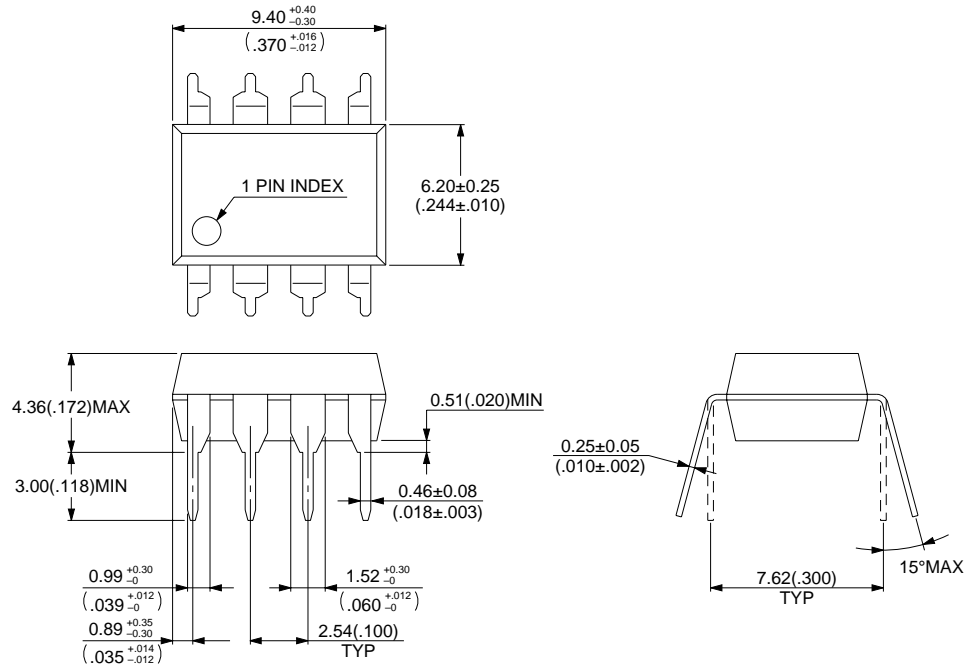
## ■ ORDERING INFORMATION

Part number	Package	Remarks
MB3793-42P	8-pin plastic DIP (DIP-8P-M01)	
MB3793-42PF	8-pin plastic SOP (FPT-8P-M01)	
MB3793-42PNF	8-pin plastic SOP (FPT-8P-M02)	

# MB3793-42

## ■ PACKAGE DIMENSIONS

8-pin plastic DIP  
(DIP-8P-M01)



© 1994 FUJITSU LIMITED D08006S-2C-3

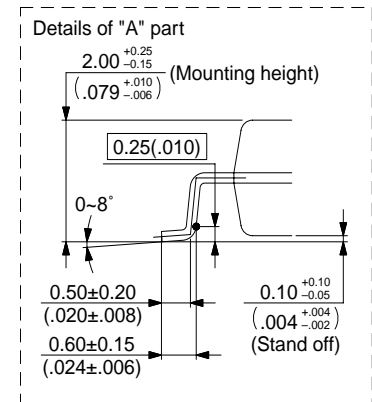
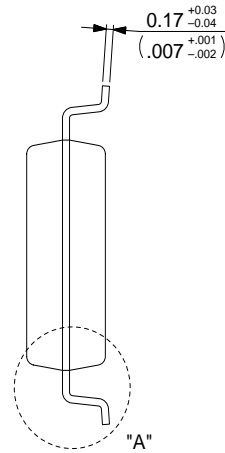
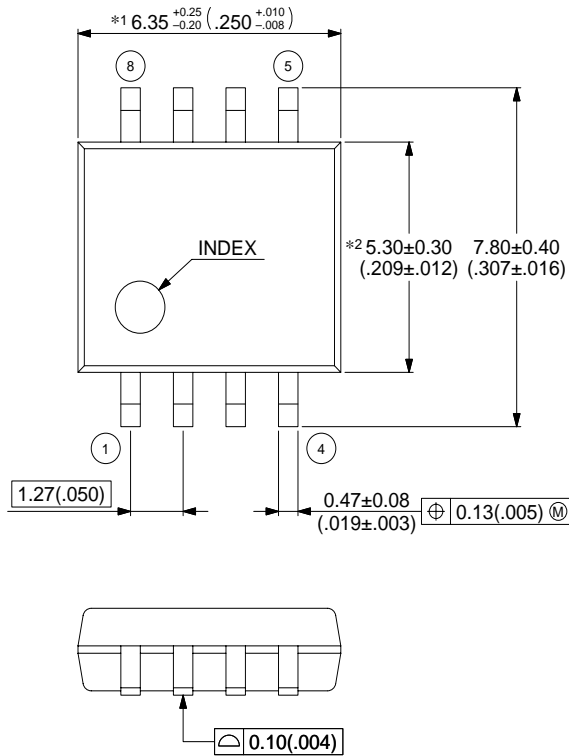
Dimensions in mm (inches) .

Note : The values in parentheses are reference values.

(Continued)

## 8-pin plastic SOP (FPT-8P-M01)

- Note 1) \*1 : These dimensions include resin protrusion.
- Note 2) \*2 : These dimensions do not include resin protrusion.
- Note 3) Pins width and pins thickness include plating thickness.
- Note 4) Pins width do not include tie bar cutting remainder.



© 2002 FUJITSU LIMITED F08002S-c-6-7

Dimensions in mm (inches) .  
Note : The values in parentheses are reference values.

(Continued)



## FUJITSU LIMITED

All Rights Reserved.

The contents of this document are subject to change without notice. Customers are advised to consult with FUJITSU sales representatives before ordering.

The information, such as descriptions of function and application circuit examples, in this document are presented solely for the purpose of reference to show examples of operations and uses of Fujitsu semiconductor device; Fujitsu does not warrant proper operation of the device with respect to use based on such information. When you develop equipment incorporating the device based on such information, you must assume any responsibility arising out of such use of the information. Fujitsu assumes no liability for any damages whatsoever arising out of the use of the information.

Any information in this document, including descriptions of function and schematic diagrams, shall not be construed as license of the use or exercise of any intellectual property right, such as patent right or copyright, or any other right of Fujitsu or any third party or does Fujitsu warrant non-infringement of any third-party's intellectual property right or other right by using such information. Fujitsu assumes no liability for any infringement of the intellectual property rights or other rights of third parties which would result from the use of information contained herein.

The products described in this document are designed, developed and manufactured as contemplated for general use, including without limitation, ordinary industrial use, general office use, personal use, and household use, but are not designed, developed and manufactured as contemplated (1) for use accompanying fatal risks or dangers that, unless extremely high safety is secured, could have a serious effect to the public, and could lead directly to death, personal injury, severe physical damage or other loss (i.e., nuclear reaction control in nuclear facility, aircraft flight control, air traffic control, mass transport control, medical life support system, missile launch control in weapon system), or (2) for use requiring extremely high reliability (i.e., submersible repeater and artificial satellite).

Please note that Fujitsu will not be liable against you and/or any third party for any claims or damages arising in connection with above-mentioned uses of the products.

Any semiconductor devices have an inherent chance of failure. You must protect against injury, damage or loss from such failures by incorporating safety design measures into your facility and equipment such as redundancy, fire protection, and prevention of over-current levels and other abnormal operating conditions.

If any products described in this document represent goods or technologies subject to certain restrictions on export under the Foreign Exchange and Foreign Trade Law of Japan, the prior authorization by Japanese government will be required for export of those products from Japan.

## Looking for pricing, stock, or lifecycle information?

Click below to explore more details on WIN SOURCE:

- [View MB3793-42PF-G-BND-JN-6E1 on WIN SOURCE](#)
- [Fujitsu Electronics America, Inc. Information](#)

## Optimize Your Supply Chain with WIN SOURCE Solutions

- ✓ Global Sourcing Solution
- ✓ Obsolete Management
- ✓ Cost Control Management
- ✓ Shortage Management
- ✓ Alternative Solution
- ✓ Excess Inventory Management