



**THE DATASHEET OF
MAX869LEEE-T**



2A, Current-Limited, High-Side P-Channel Switch with Thermal Shutdown

General Description

The MAX869L P-channel load switch features an accurate user-set current limit and low on-resistance. This switch is designed to protect your power source from shorts and surges by limiting current and preventing the system supply from being pulled low. The input voltage range is 2.7V to 5.5V.

The MAX869L features a 2A, 45mΩ switch controlled by a logic signal. Current-limit accuracy is ±21%, and can be set from 400mA to 2.4A using a single resistor.

The device has a low 12μA quiescent supply current, which reduces to 2μA max in shutdown. It features thermal-shutdown protection and a logic-signal output pin (FAULT) that signals when there is an overcurrent or overtemperature condition.

For other devices in this family, consult the *Selector Guide*.

Selector Guide

PART	R _{ON} AT 3V (mΩ)	NOMINAL CURRENT (A)	COUNT	PACKAGE
MAX869L	45	2	Single	16 QSOP
MAX890L	90	1	Single	8 SO
MAX891L	150	0.5	Single	8 μMAX
MAX892L	300	0.25	Single	8 μMAX
MAX894L	150	0.5	Dual	8 SO
MAX895L	300	0.25	Dual	8 SO

Applications

- Universal Serial Bus (USB)
- Notebook Computers
- Personal Communicators
- Palmtop Computers
- Hand-Held Instruments
- Portable Medical Instruments

Pin Configuration appears at end of data sheet.

Features

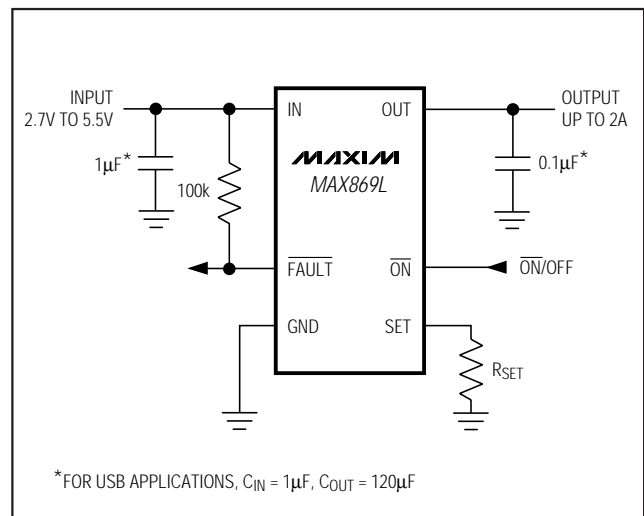
- ◆ **Very Small Footprint (16-pin QSOP is the same size as an 8-pin SO)**
- ◆ **Low Resistance: 45mΩ at 3V**
- ◆ **±21%-Accurate, User-Set Current Limit**
- ◆ **12μA (typ) Quiescent Current**
- ◆ **0.01μA (typ) Shutdown Current**
- ◆ **0.04μA (typ) Leakage to Output when Switch is Off**
- ◆ **2.7V to 5.5V Input Range**
- ◆ **Thermal Shutdown**
- ◆ **FAULT Output**

Ordering Information

PART	TEMP. RANGE	PIN-PACKAGE
MAX869LC/D	0°C to +70°C	Dice*
MAX869LEEE	-40°C to +85°C	16 QSOP

*Dice are specified at $T_A = +25^\circ\text{C}$.

Typical Operating Circuit



2A, Current-Limited, High-Side P-Channel Switch with Thermal Shutdown

ABSOLUTE MAXIMUM RATINGS

IN to GND	-0.3V to 6V	Operating Temperature Range	
$\overline{\text{ON}}$, FAULT to GND	-0.3V to 6V	MAX869LEEE	-40°C to +85°C
SET, OUT to GND	-0.3V to ($V_{\text{IN}} + 0.3\text{V}$)	Storage Temperature Range	-65°C to +150°C
Maximum Continuous Switch Current	3A	Lead Temperature (soldering, 10sec)	+300°C
Continuous Power Dissipation ($T_{\text{A}} = +70^{\circ}\text{C}$)			
QSOP (derate 8.3mW/°C above +70°C)	667mW		

Stresses beyond those listed under "Absolute Maximum Ratings" may cause permanent damage to the device. These are stress ratings only, and functional operation of the device at these or any other conditions beyond those indicated in the operational sections of the specifications is not implied. Exposure to absolute maximum rating conditions for extended periods may affect device reliability.

ELECTRICAL CHARACTERISTICS

($V_{\text{IN}} = 3\text{V}$, $T_{\text{A}} = 0^{\circ}\text{C}$ to $+85^{\circ}\text{C}$, unless otherwise noted. Typical values are at $T_{\text{A}} = +25^{\circ}\text{C}$.)

PARAMETER	CONDITIONS	MIN	TYP	MAX	UNITS
Operating Voltage		2.7		5.5	V
Quiescent Current	$V_{\text{IN}} = 5\text{V}$, $\overline{\text{ON}} = \text{GND}$, $I_{\text{OUT}} = 0\text{A}$		12	20	μA
Off-Supply Current	$\overline{\text{ON}} = \text{IN}$, $V_{\text{IN}} = V_{\text{OUT}} = 5.5\text{V}$		0.01	2	μA
Off-Switch Current	$\overline{\text{ON}} = \text{IN}$, $V_{\text{IN}} = 5.5\text{V}$, $V_{\text{OUT}} = 0\text{V}$		0.04	30	μA
Undervoltage Lockout	Rising edge, 1% hysteresis	2.0	2.3	2.6	V
On-Resistance	$V_{\text{IN}} = 4.75\text{V}$		38	70	m Ω
	$V_{\text{IN}} = 3.0\text{V}$		45	90	
Nominal Current-Limit Set Range	$R_{\text{SET}} = 1\%$ tolerance (Note 1)	0.40		2.4	A
Current-Limit-Amplifier Threshold	V_{SET} required to turn the switch off (Note 2)	1.178	1.240	1.302	V
I_{OUT} to I_{SET} Current Ratio	$I_{\text{OUT}} = 1\text{A}$, $V_{\text{OUT}} > 1.6\text{V}$	810	955	1100	A/A
$\overline{\text{ON}}$ Input Low Voltage	$V_{\text{IN}} = 2.7\text{V}$ to 5.5V			0.8	V
$\overline{\text{ON}}$ Input High Voltage	$V_{\text{IN}} = 2.7\text{V}$ to 3.6V	2.0			V
	$V_{\text{IN}} = 4.5\text{V}$ to 5.5V	2.4			
$\overline{\text{ON}}$ Input Leakage	$V_{\overline{\text{ON}}} = 5.5\text{V}$		0.01	± 1	μA
I_{SET} Bias Current	$V_{\text{SET}} = 1.24\text{V}$, $I_{\text{OUT}} = 0\text{A}$		0.05	± 3	μA
FAULT Logic Output Low Voltage	$I_{\text{SINK}} = 1\text{mA}$, $V_{\text{SET}} = 1.4\text{V}$			0.4	V
FAULT Logic Output High Leakage Current	$V_{\text{FAULT}} = 5.5\text{V}$, $V_{\text{SET}} = 1\text{V}$		0.05	1	μA
Slow-Current-Loop Response Time	20% current overdrive, $V_{\text{CC}} = 5\text{V}$		10		μs
Fast-Current-Loop Response Time			4		μs
Turn-On Time	$V_{\text{IN}} = 5\text{V}$, $I_{\text{OUT}} = 500\text{mA}$		100	300	μs
	$V_{\text{IN}} = 3\text{V}$, $I_{\text{OUT}} = 500\text{mA}$		200		
Turn-Off Time	$V_{\text{IN}} = 5\text{V}$, $I_{\text{OUT}} = 500\text{mA}$	2	10	30	μs

Note 1: Guaranteed by design. Derived from the I_{SET} current ratio; current-limit amplifier and external set resistor accuracies.

Note 2: Tested with $I_{\text{OUT}} = 200\text{mA}$ and V_{SET} raised until $(V_{\text{IN}} - V_{\text{OUT}}) \geq 0.8\text{V}$.

Note 3: Specifications to -40°C are guaranteed by design, not production tested.

2A, Current-Limited, High-Side P-Channel Switch with Thermal Shutdown

MAX869L

ELECTRICAL CHARACTERISTICS

($V_{IN} = 3V$, $T_A = -40^{\circ}C$ to $+85^{\circ}C$, unless otherwise noted.) (Note 3)

PARAMETER	CONDITIONS	MIN	TYP	MAX	UNITS
Operating Voltage		2.9		5.5	V
Quiescent Current	$V_{IN} = 5V$, $\overline{ON} = GND$, $I_{OUT} = 0A$			25	μA
Off-Supply Current	$\overline{ON} = IN$, $V_{IN} = V_{OUT} = 5.5V$			2.5	μA
Off-Switch Current	$\overline{ON} = IN$, $V_{IN} = 5.5V$, $V_{OUT} = 0V$			30	μA
Undervoltage Lockout	Rising edge, 1% hysteresis	2.0		2.85	V
On-Resistance	$V_{IN} = 4.75V$			70	m Ω
	$V_{IN} = 3.0V$			90	
Nominal Current-Limit Set Range	$R_{SET} = 1\%$ tolerance (Note 1)	0.40		2.4	A
Current-Limit-Amplifier Threshold	V_{SET} required to turn the switch off (Note 2)	1.14		1.34	V
I_{OUT} to I_{SET} Current Ratio	$I_{OUT} = 1A$, $V_{OUT} > 1.6V$	765		1145	A/A
\overline{FAULT} Logic Output Low Voltage	$I_{SINK} = 1mA$, $V_{SET} = 1V$			0.4	V
Turn-On Time	$V_{IN} = 5V$, $I_{OUT} = 500mA$			400	μs
Turn-Off Time	$V_{IN} = 5V$, $I_{OUT} = 500mA$	2		30	μs

Note 1: Guaranteed by design. Derived from the I_{SET} current ratio; current-limit amplifier and external set resistor accuracies.

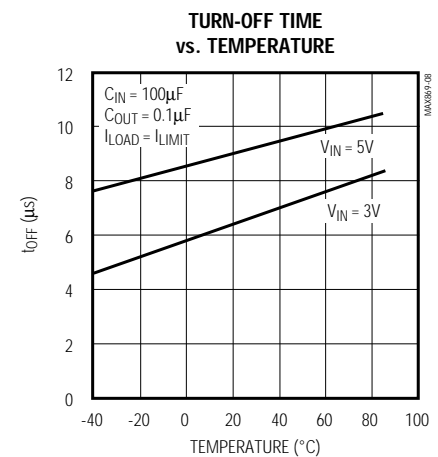
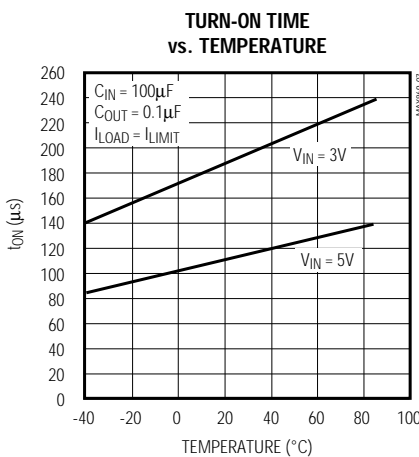
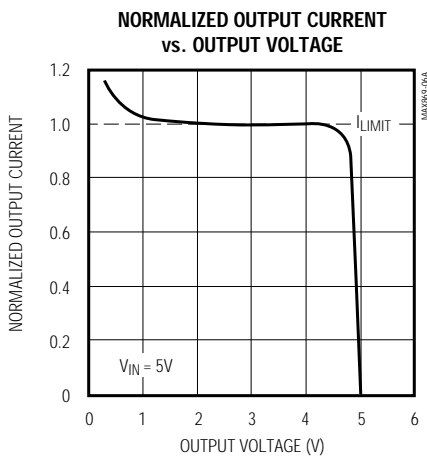
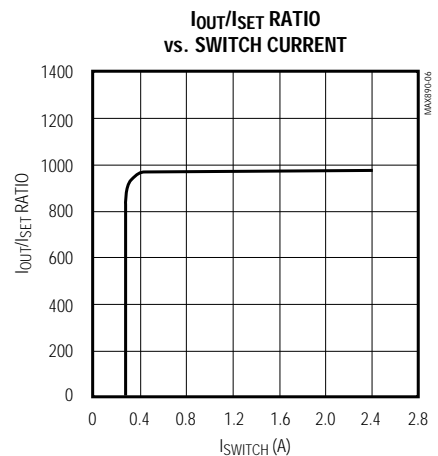
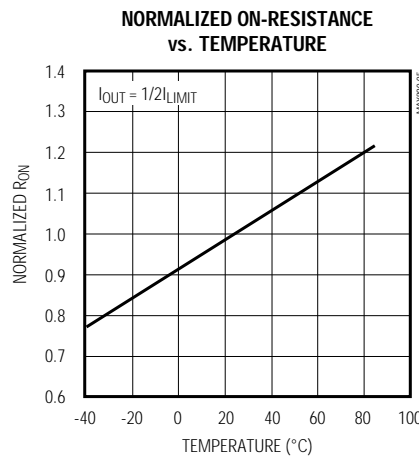
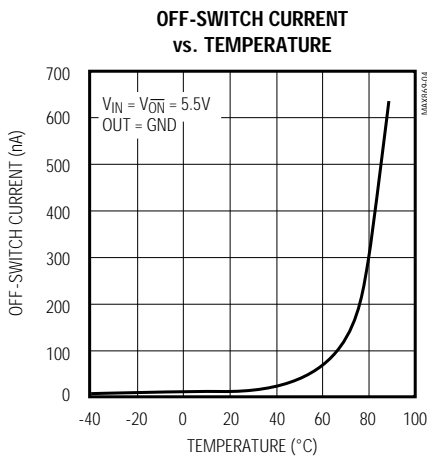
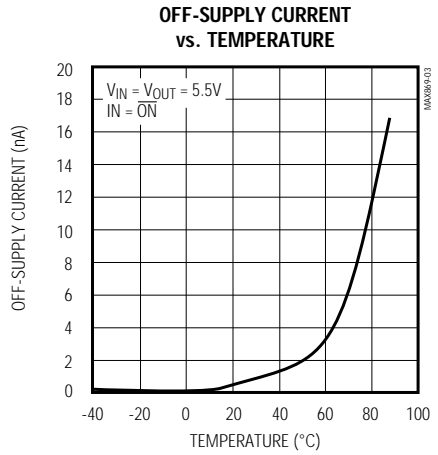
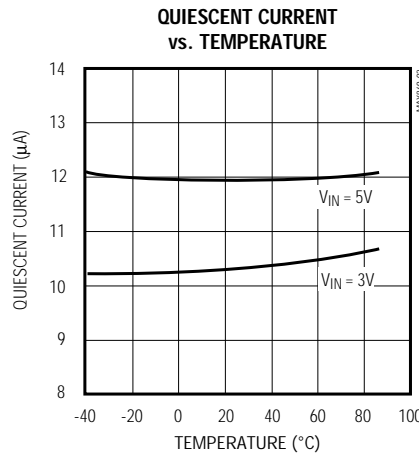
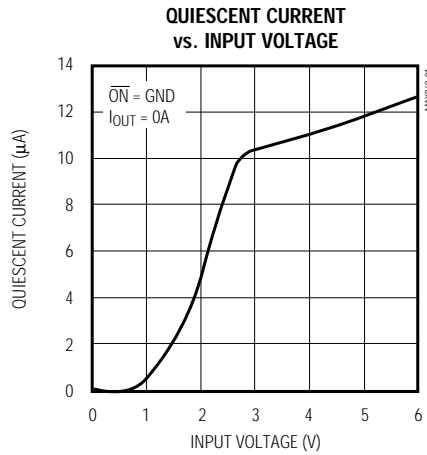
Note 2: Tested with $I_{OUT} = 200mA$ and V_{SET} raised until $(V_{IN} - V_{OUT}) \geq 0.8V$.

Note 3: Specifications to $-40^{\circ}C$ are guaranteed by design, not production tested.

2A, Current-Limited, High-Side P-Channel Switch with Thermal Shutdown

Typical Operating Characteristics

($T_A = +25^\circ\text{C}$, unless otherwise noted.)

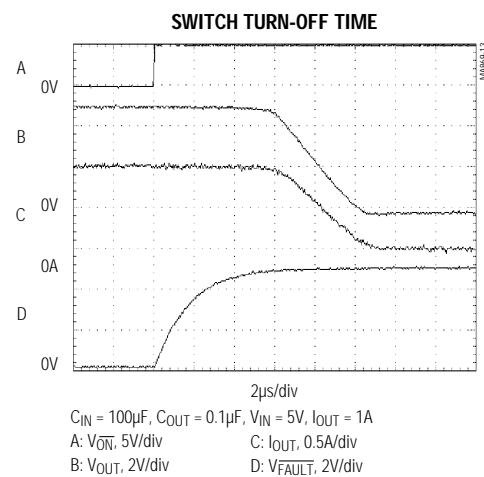
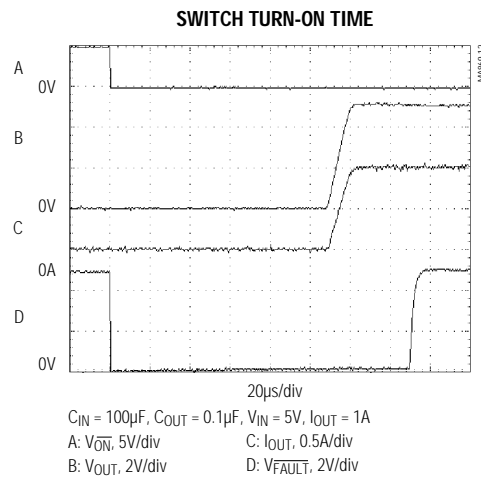
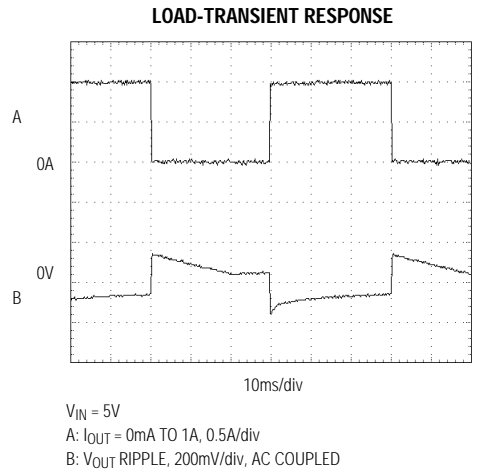
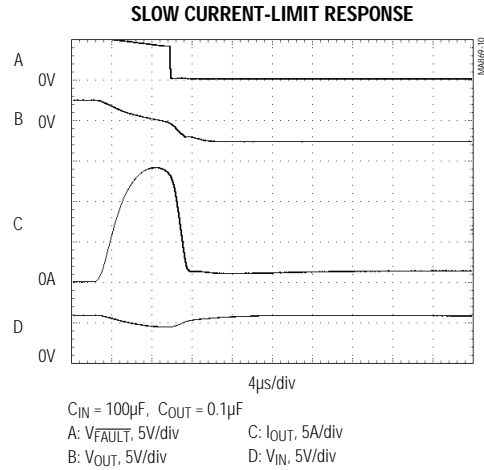
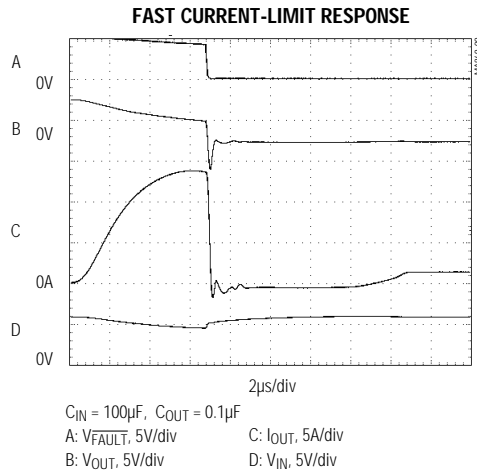


2A, Current-Limited, High-Side P-Channel Switch with Thermal Shutdown

MAX869L

Typical Operating Characteristics (continued)

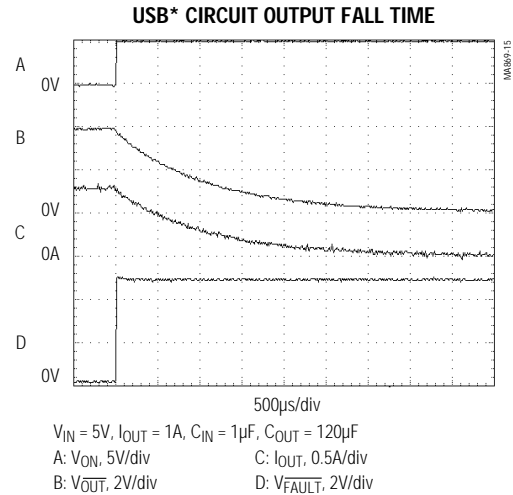
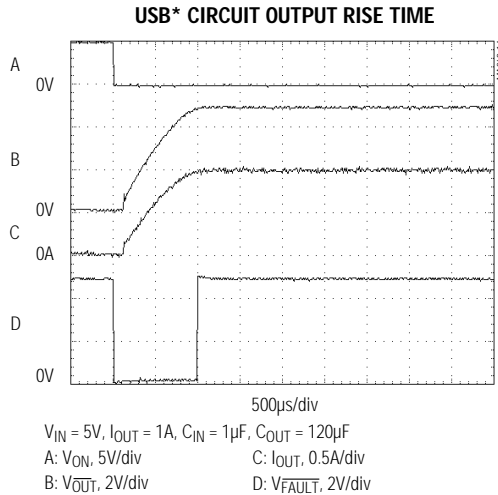
($T_A = +25^\circ\text{C}$, unless otherwise noted.)



2A, Current-Limited, High-Side P-Channel Switch with Thermal Shutdown

Typical Operating Characteristics (continued)

(T_A = +25°C, unless otherwise noted.)



*REFER TO TYPICAL OPERATING CIRCUIT

Pin Description

PIN	NAME	FUNCTION
1, 4, 5, 12, 13, 16	IN	Input, P-channel MOSFET source. Bypass IN with a 1µF capacitor to ground.
2, 3, 6, 11, 14, 15	OUT	Switch output. P-channel MOSFET drain. Bypass OUT with a 0.1µF capacitor to GND.
7	$\overline{\text{ON}}$	Active-Low Switch-On Input. A logic low turns the switch on.
8	GND	Ground
9	SET	Set Current-Limit Input. A resistor from SET to ground sets the current limit for the switch. $R_{\text{SET}} = 1,184 / I_{\text{LIMIT}}$, where I_{LIMIT} is the desired current limit in amperes.
10	$\overline{\text{FAULT}}$	Fault-Indicator Output. This open-drain output goes low when in current limit or when the die temperature exceeds +135°C. $\overline{\text{FAULT}}$ remains low for Turn-On Time + 50µs during start-up.

Detailed Description

The MAX869L P-channel MOSFET power switch limits output current to a programmed level. When the output current passes through the main switch, a smaller current also passes through the replica switch (I_{OUT} / 955) and through R_{SET} (Figure 1). When the voltage on R_{SET} exceeds the trip voltage of 1.24V, the current-limit error amplifier regulates the output current to the programmed current limit, I_{LIMIT} (400mA to 2.4A).

This switch is not bidirectional; therefore, the input voltage must be higher than the output voltage.

Setting the Current Limit

The MAX869L features internal current-limiting circuitry with a maximum programmable value (I_{MAX}) of 2.4A. For best performance, set the current limit (I_{LIMIT}) between 0.2 I_{MAX} ≤ I_{LIMIT} ≤ I_{MAX}. This current limit remains in effect throughout the input supply-voltage range.

Program the current limit with a resistor (R_{SET}) from SET to ground (Figure 2) as follows:

$$I_{\text{SET}} = I_{\text{LIMIT}} / 955$$

$$R_{\text{SET}} = 1.24V / I_{\text{SET}} = 1,184 / I_{\text{LIMIT}}$$

where I_{LIMIT} is the desired current limit.

2A, Current-Limited, High-Side P-Channel Switch with Thermal Shutdown

MAX869L

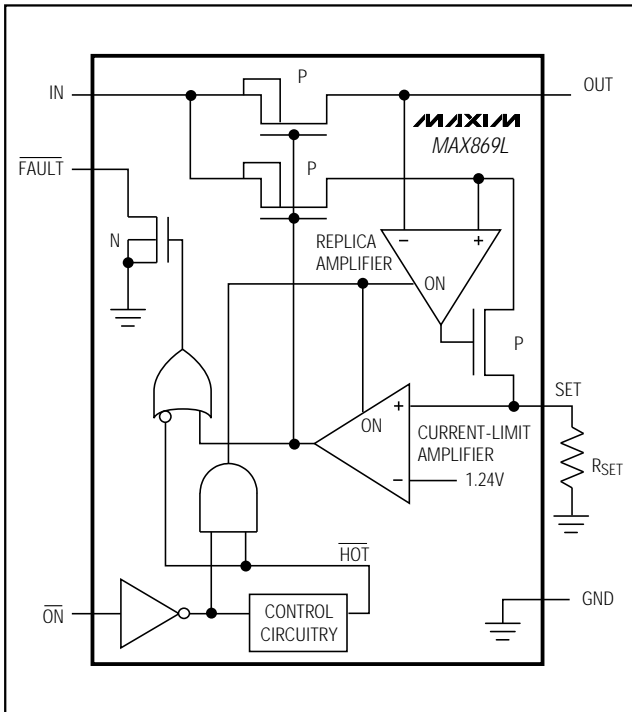


Figure 1. Functional Diagram

Short-Circuit Protection

The MAX869L is a short-circuit-protected switch. In the event of an output short circuit ($V_{OUT} \leq 1.6V$ typical), the current through the switch is limited by the internal current-limiting error amplifier to $1.4 \times I_{LIMIT}$. When the short-circuit condition is removed, the current-limit amplifier sets the current limit back to I_{LIMIT} .

For a high $\Delta V_{DS}/\Delta t$ during an output short-circuit condition, the switch turns off and disconnects the input supply from the output. The current-limiting amplifier then slowly turns the switch on with the output current limited to $1.4 \times I_{LIMIT}$. When the short-circuit condition is removed, the current limit is set back to I_{LIMIT} . Refer to the Fast Current-Limit Response and Slow Current-Limit Response graphs in the *Typical Operating Characteristics*.

Thermal Shutdown

The MAX869L features thermal shutdown. The switch turns off when the junction temperature exceeds $135^\circ C$. Once the device cools by $10^\circ C$, the switch turns back on. If the fault condition is not removed, the switch cycles on and off, resulting in a pulsed output.

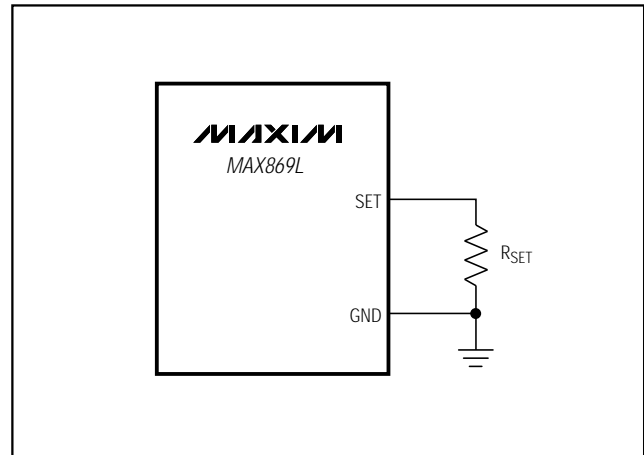


Figure 2. Setting the Current Limit

Fault Indicator

The MAX869L provides a fault output (FAULT). This open-drain output goes low when in current limit or when the die temperature exceeds $135^\circ C$. A $100k\Omega$ pull-up resistor from FAULT to IN provides a logic-control signal.

Applications Information

Input Capacitor

To limit the input voltage drop during momentary output short-circuit conditions, connect a capacitor from IN to GND. A $1\mu F$ ceramic capacitor is adequate for most applications; however, higher capacitor values further reduce the voltage drop at the input.

Output Capacitor

Connect a $0.1\mu F$ capacitor from OUT to GND to prevent inductive parasitics from pulling OUT below GND during turn-off. USB applications require C_{OUT} to be at least $120\mu F$. This larger output capacitance slows the output rise and fall times, as shown in the *Typical Operating Characteristics*, but does not adversely affect the MAX869L's turn-off response time.

Layout and Thermal-Dissipation Considerations

To take full advantage of the switch-response time to output short-circuit conditions, it is very important to keep all traces as short as possible to reduce the effect of undesirable parasitic inductance. Place input and output capacitors as close as possible to the device (less than 5mm).

2A, Current-Limited, High-Side P-Channel Switch with Thermal Shutdown

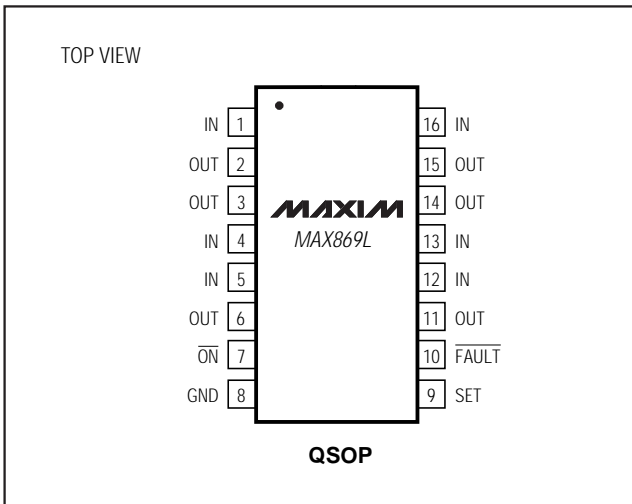
Under normal operating conditions, the package can dissipate and channel heat away. Calculate the maximum power as follows:

$$P = I^2_{LIMIT} \times R_{ON}$$

where R_{ON} is the on-resistance of the switch.

When the output is short circuited, the voltage drop across the switch equals the input supply. Hence, the power dissipated across the switch increases, as does the die temperature. If the fault condition is not removed, the thermal-overload-protection circuitry turns the switch off until the die temperature falls by 10°C. A ground plane in contact with the device helps dissipate additional heat.

Pin Configuration



Chip Information

TRANSISTOR COUNT: 433

SUBSTRATE CONNECTED TO GND

Maxim cannot assume responsibility for use of any circuitry other than circuitry entirely embodied in a Maxim product. No circuit patent licenses are implied. Maxim reserves the right to change the circuitry and specifications without notice at any time.

8 Maxim Integrated Products, 120 San Gabriel Drive, Sunnyvale, CA 94086 408-737-7600

Looking for pricing, stock, or lifecycle information?

Click below to explore more details on WIN SOURCE:

- ⊖ [View MAX869LEEE-T on WIN SOURCE](#)
- ⊖ [Maxim Integrated Information](#)

Optimize Your Supply Chain with WIN SOURCE Solutions

- ✓ Global Sourcing Solution
- ✓ Obsolete Management
- ✓ Cost Control Management
- ✓ Shortage Management
- ✓ Alternative Solution
- ✓ Excess Inventory Management