



**THE DATASHEET OF  
MAX8630ZETD20+**



EVALUATION KIT  
AVAILABLE

MAXIM

# 125mA 1x/1.5x Charge Pumps for 5 White LEDs in 3mm x 3mm TDFN

## General Description

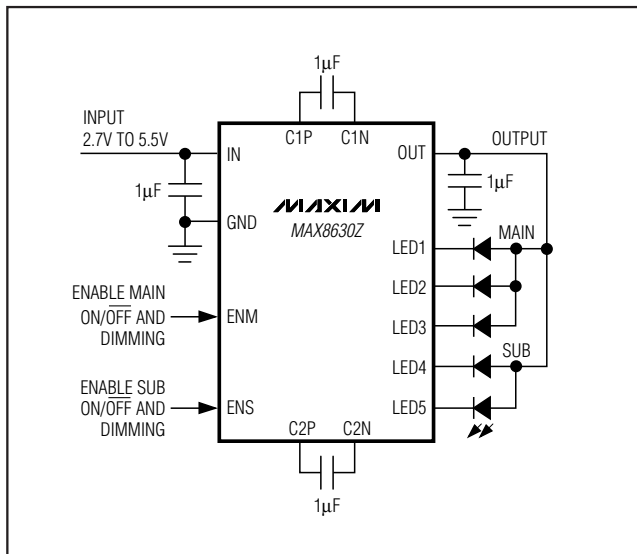
The MAX8630Y/MAX8630Z charge pumps drive up to 5 white LEDs with regulated constant current up to 125mA total. By utilizing adaptive 1x/1.5x charge-pump modes and very low-dropout current regulators, they achieve high efficiency over the full 1-cell Li+ battery input voltage range. The 1MHz fixed-frequency switching allows for tiny external components, and the regulation scheme is optimized to ensure low EMI and low input ripple. An integrated derating function protects the LEDs from overheating during high ambient temperatures.

The MAX8630Y/MAX8630Z are factory trimmed for full-scale LED current options of 15mA, 18mA, 20mA, and 25mA. The MAX8630Z uses two enable inputs (ENM for 3 main LEDs and ENS for 2 sub LEDs) for simple on/off control and single-wire, serial-pulse dimming in 32 linear steps. The MAX8630Y uses a single direct PWM input (PWM) to control all 5 LEDs with DC current proportional to the PWM duty cycle. If both ENM and ENS (or PWM) are kept low for more than 4ms, the MAX8630\_ enters shutdown. The MAX8630Y/MAX8630Z are available in a 14-pin, 3mm x 3mm TDFN package (0.8mm max height).

## Applications

Display Backlight (Up to 5 LEDs)  
Main (3 LEDs) + Sub (2 LEDs) Displays  
Cell Phones and Smartphones  
PDAs, Digital Cameras, and Camcorders

## Typical Operating Circuit



## Features

- ◆ 93% Max/85% Avg. Efficiency (PLED/PBATT) Over Li+ Battery Discharge
- ◆ 1% LED Current Accuracy
- ◆ 125mA Total Drive Capability
- ◆ Adaptive 1x/1.5x Mode Switchover
- ◆ Single-Wire, Serial-Pulse Dimming (MAX8630Z) Independent On/Off/Dimming for Main and Sub Linear—Full, 31/32nd, 30/32nd, ... 1/32nd
- ◆ Direct-PWM Dimming (MAX8630Y)
- ◆ 15, 18, 20, and 25mA Full-Scale Versions
- ◆ Low 0.1µA Shutdown Current
- ◆ Soft-Start Eliminates Inrush Current
- ◆ Output Overvoltage Protection
- ◆ Thermal-Derating Function Protects LEDs
- ◆ 14-Pin, 3mm x 3mm TDFN Package

## Ordering Information

| PART            | PIN-PACKAGE            | TOP MARK | PKG CODE |
|-----------------|------------------------|----------|----------|
| MAX8630YETD15+T | 14 TDFN<br>(3mm x 3mm) | AAS      | T1433-2  |

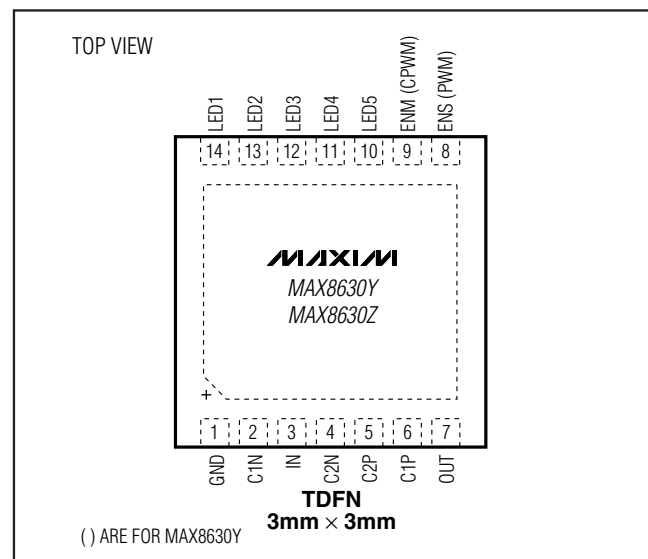
**Note:** All devices are specified to operate over the -40°C to +85°C operating temperature range.

+Denotes a lead-free package.

Ordering Information continued at end of data sheet.

Selector Guide appears at end of data sheet.

## Pin Configuration



MAXIM

Maxim Integrated Products 1

For pricing, delivery, and ordering information, please contact Maxim/Dallas Direct! at 1-888-629-4642, or visit Maxim's website at [www.maxim-ic.com](http://www.maxim-ic.com).

MAX8630Y/MAX8630Z

# 125mA 1x/1.5x Charge Pumps for 5 White LEDs in 3mm x 3mm TDFN

## ABSOLUTE MAXIMUM RATINGS

|                                               |                                                                       |                                                              |
|-----------------------------------------------|-----------------------------------------------------------------------|--------------------------------------------------------------|
| IN, OUT to GND.....                           | -0.3V to +6.0V                                                        | Continuous Power Dissipation (T <sub>A</sub> = +70°C)        |
| C1N, C2N, ENM, CPWM, ENS,<br>PWM to GND ..... | -0.3V to (V <sub>IN</sub> + 0.3V)                                     | 14-Pin TDFN 3mm x 3mm<br>(derate 18.2mW/°C above +70°C)..... |
| LED <sub>-</sub> to GND .....                 | -0.3V to (V <sub>OUT</sub> + 0.3V)                                    | 1454mW                                                       |
| C1P, C2P to GND ...                           | -0.3V to greater of (V <sub>OUT</sub> + 1V) or (V <sub>IN</sub> + 1V) | Junction Temperature .....                                   |
| OUT Short Circuit to GND .....                | Continuous                                                            | +150°C                                                       |
|                                               |                                                                       | Storage Temperature Range .....                              |
|                                               |                                                                       | -65°C to +150°C                                              |
|                                               |                                                                       | Lead Temperature (soldering, 10s).....                       |
|                                               |                                                                       | +300°C                                                       |

Stresses beyond those listed under "Absolute Maximum Ratings" may cause permanent damage to the device. These are stress ratings only, and functional operation of the device at these or any other conditions beyond those indicated in the operational sections of the specifications is not implied. Exposure to absolute maximum rating conditions for extended periods may affect device reliability.

## ELECTRICAL CHARACTERISTICS

(V<sub>IN</sub> = 3.6V, V<sub>GND</sub> = 0V, EN<sub>-</sub> (PWM) = IN, T<sub>A</sub> = -40°C to +85°C, unless otherwise noted. Typical values are at T<sub>A</sub> = +25°C.) (Note 1)

| PARAMETER                                  | CONDITIONS                                                    | MIN                    | TYP   | MAX  | UNITS |
|--------------------------------------------|---------------------------------------------------------------|------------------------|-------|------|-------|
| IN Operating Voltage                       |                                                               | 2.7                    |       | 5.5  | V     |
| Undervoltage-Lockout Threshold             | V <sub>IN</sub> rising or falling                             | 2.20                   | 2.45  | 2.65 | V     |
| Undervoltage-Lockout Hysteresis            |                                                               |                        | 100   |      | mV    |
| Output Overvoltage Protection Threshold    | V <sub>OUT</sub> rising, any LED <sub>-</sub> = GND           |                        | 5     |      | V     |
| No-Load Supply Current                     | 1/32nd setting, 1.5x mode                                     |                        | 1.4   |      | mA    |
|                                            | 1/32nd setting, 1x mode                                       |                        | 0.35  |      |       |
| Shutdown Supply Current                    | ENM = ENS (PWM) = GND                                         | T <sub>A</sub> = +25°C | 0.01  | 2    | μA    |
|                                            |                                                               | T <sub>A</sub> = +85°C | 0.1   |      |       |
| Soft-Start Time (t <sub>SOFT-START</sub> ) |                                                               |                        | 2     |      | ms    |
| Full-Scale LED Current                     | MAX8630_ETD15                                                 |                        | 15    |      | mA    |
|                                            | MAX8630_ETD18                                                 |                        | 18    |      |       |
|                                            | MAX8630_ETD20                                                 |                        | 20    |      |       |
|                                            | MAX8630_ETD25                                                 |                        | 25    |      |       |
| Full-Scale LED Current Accuracy            | T <sub>A</sub> = +25°C                                        | -1                     | ±0.3  | +1   | %     |
|                                            | T <sub>A</sub> = -40°C to derating function start temperature | -3.5                   | ±0.3  | +3.5 |       |
| Derating Function Start Temperature        |                                                               |                        | 40    |      | °C    |
| Derating Function Slope                    | T <sub>A</sub> = +40°C to +85°C                               |                        | -1.67 |      | %/°C  |
| LED <sub>-</sub> Dropout Voltage           | 100% LED setting (Note 2)                                     |                        | 40    | 75   | mV    |
| 1x to 1.5x Mode Transition Threshold       | V <sub>LED<sub>-</sub></sub> falling                          |                        | 88    |      | mV    |
| Input Voltage Mode Transition Hysteresis   |                                                               |                        | 70    |      | mV    |
| 1.5x Mode Regulation Voltage               | Minimum of V <sub>LED<sub>-</sub></sub>                       |                        | 122   |      | mV    |
| OUT Pulldown Resistance in Shutdown        | ENM = ENS (PWM) = GND                                         |                        | 5     |      | kΩ    |

# 125mA 1x/1.5x Charge Pumps for 5 White LEDs in 3mm x 3mm TDFN

## ELECTRICAL CHARACTERISTICS (continued)

( $V_{IN} = 3.6V$ ,  $V_{GND} = 0V$ ,  $EN_-(PWM) = IN$ ,  $T_A = -40^{\circ}C$  to  $+85^{\circ}C$ , unless otherwise noted. Typical values are at  $T_A = +25^{\circ}C$ .) (Note 1)

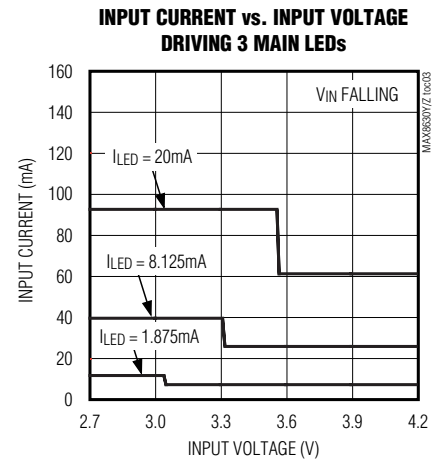
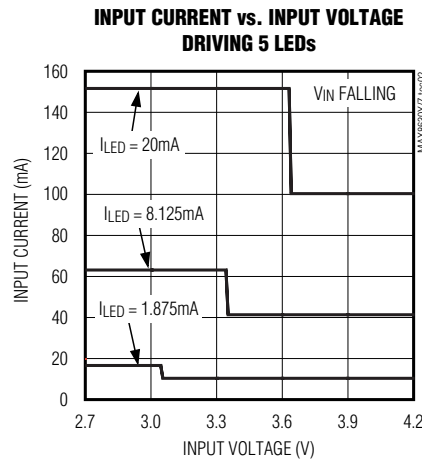
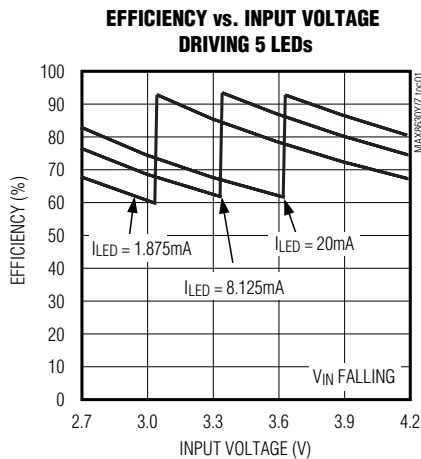
| PARAMETER                                             | CONDITIONS                                                             | MIN                  | TYP  | MAX   | UNITS       |
|-------------------------------------------------------|------------------------------------------------------------------------|----------------------|------|-------|-------------|
| Open-Loop OUT Resistance                              | 1x mode, $(V_{IN} - V_{OUT}) / I_{OUT}$                                |                      | 0.8  | 1.5   | $\Omega$    |
|                                                       | 1.5x mode, $(1.5V_{IN} - V_{OUT}) / I_{OUT}$                           |                      | 3.2  | 7.2   |             |
| Maximum OUT Current                                   | $V_{IN} \geq 3.2V$ , $V_{OUT} = 3.9V$                                  | 125                  |      |       | mA          |
| OUT Short-Circuit Current Limit                       | $V_{OUT} < 1.25V$                                                      |                      | 57   |       | mA          |
| Switching Frequency                                   |                                                                        |                      | 1    |       | MHz         |
| Direct-PWM Dimming Filter Corner Frequency (MAX8630Y) | $C_{CPWM} = 0.1\mu F$ , (PWM frequency of 900Hz to 200kHz recommended) |                      | 10   |       | Hz          |
| EN_ (PWM) High Voltage                                | $V_{IN} = 2.7V$ to $5.5V$                                              | 1.4                  |      |       | V           |
| EN_ (PWM) Low Voltage                                 | $V_{IN} = 2.7V$ to $5.5V$                                              |                      |      | 0.4   | V           |
| EN_ (PWM) Minimum Input Slew Rate                     | $V_{IN} = 2.7V$ to $5.5V$ (recommended minimum slew rate)              |                      | 1    |       | V/ $\mu s$  |
| EN_ (PWM) Input Current                               | $V_{EN_-(PWM)} = 0V$ or $5.5V$                                         | $T_A = +25^{\circ}C$ | 0.01 | 1     | $\mu A$     |
|                                                       |                                                                        | $T_A = +85^{\circ}C$ | 0.1  |       |             |
| EN_ (PWM) Low Shutdown Delay (tSHDN)                  |                                                                        | 4                    |      |       | ms          |
| EN_ t <sub>LO</sub> (See Figure 4)                    |                                                                        | 0.5                  |      | 500.0 | $\mu s$     |
| EN_ t <sub>HI</sub> (See Figure 4)                    |                                                                        | 0.5                  |      |       | $\mu s$     |
| Initial EN_ t <sub>HI</sub> (See Figure 4)            | First EN_ (PWM) high pulse                                             | 50                   |      |       | $\mu s$     |
| Thermal Shutdown                                      |                                                                        |                      | +160 |       | $^{\circ}C$ |
| Thermal-Shutdown Hysteresis                           |                                                                        |                      | 20   |       | $^{\circ}C$ |

**Note 1:** Limits are 100% production tested at  $T_A = +25^{\circ}C$ . Limits over the operating temperature range are guaranteed by design.

**Note 2:** Dropout voltage is defined as the LED\_ to GND voltage at which current into LED\_ drops 10% from the value at  $V_{LED_} = 0.2V$ .

## Typical Operating Characteristics

( $V_{IN} = 3.6V$ ,  $ENM = ENS = IN$ ,  $T_A = +25^{\circ}C$ , unless otherwise noted.)

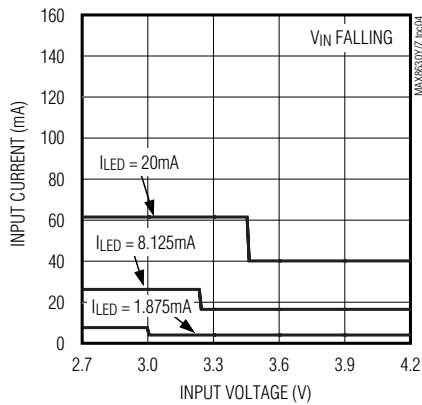


# 125mA 1x/1.5x Charge Pumps for 5 White LEDs in 3mm x 3mm TDFN

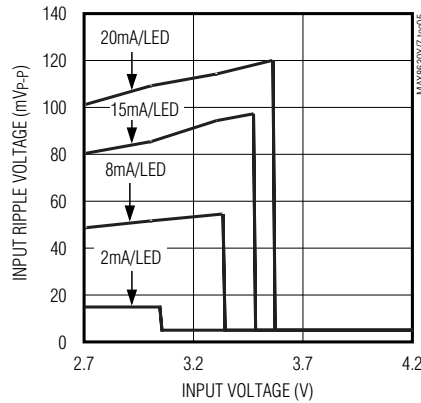
## Typical Operating Characteristics (continued)

( $V_{IN} = 3.6V$ ,  $ENM = ENS = IN$ ,  $T_A = +25^\circ C$ , unless otherwise noted.)

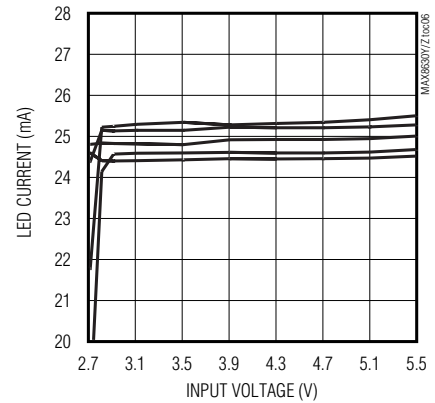
**INPUT CURRENT vs. INPUT VOLTAGE DRIVING 2 SUB LEDs**



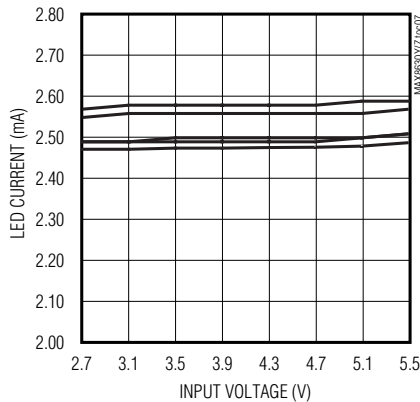
**INPUT RIPPLE VOLTAGE vs. SUPPLY VOLTAGE DRIVING 5 WHITE LEDs**



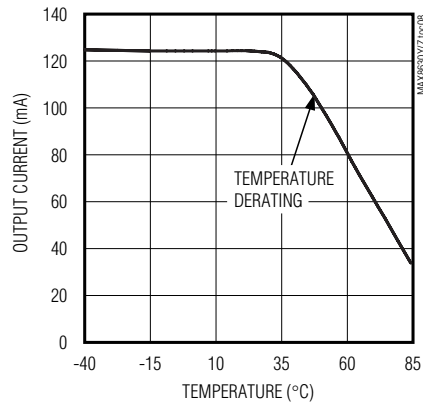
**LED CURRENT MATCHING vs. INPUT VOLTAGE (25mA/LED)**



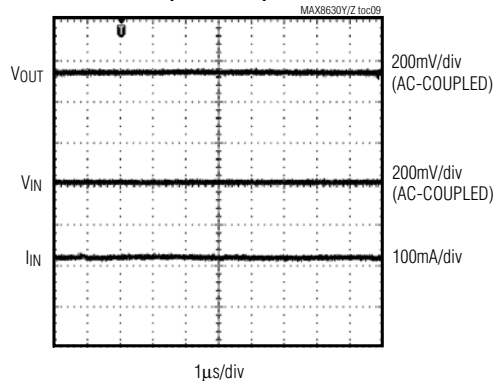
**LED CURRENT MATCHING vs. INPUT VOLTAGE (2.5mA/LED)**



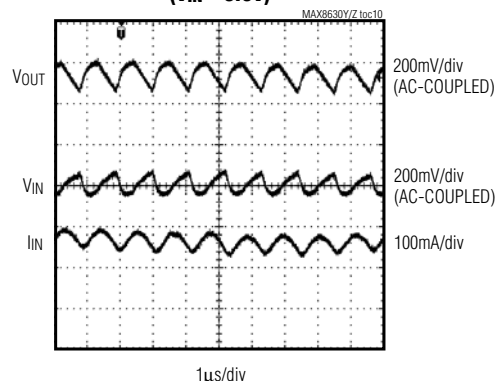
**OUTPUT CURRENT vs. TEMPERATURE (5 LEDs AT 25mA EACH)**



**1x MODE OPERATING WAVEFORMS ( $V_{IN} = 4.0V$ )**



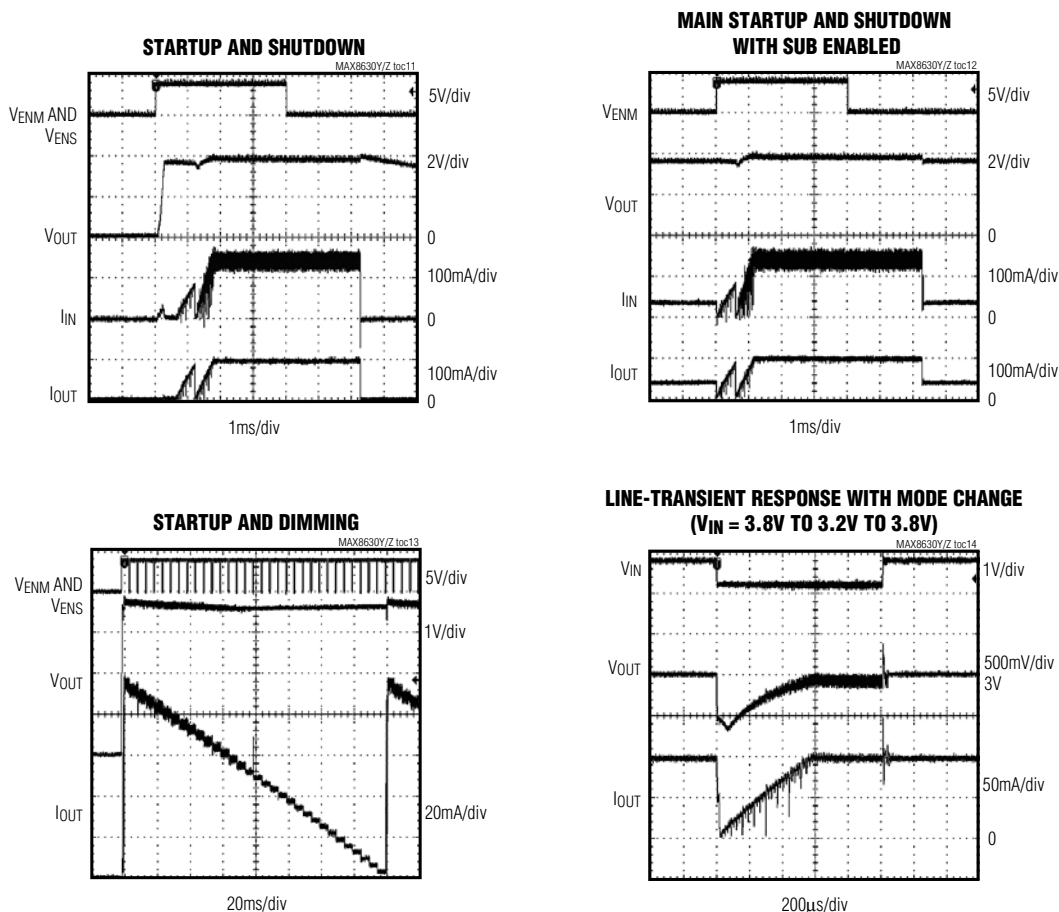
**1.5x MODE OPERATING WAVEFORMS ( $V_{IN} = 3.6V$ )**



# 125mA 1x/1.5x Charge Pumps for 5 White LEDs in 3mm x 3mm TDFN

## Typical Operating Characteristics (continued)

( $V_{IN} = 3.6V$ ,  $ENM = ENS = IN$ ,  $T_A = +25^\circ C$ , unless otherwise noted.)



## Pin Description

| PIN      |          | NAME | FUNCTION                                                                                                                                                  |
|----------|----------|------|-----------------------------------------------------------------------------------------------------------------------------------------------------------|
| MAX8630Z | MAX8630Y |      |                                                                                                                                                           |
| 1        | 1        | GND  | Ground. Connect GND to system ground and the input bypass capacitor as close to the IC as possible. Connect GND to the exposed pad directly under the IC. |
| 2        | 2        | C1N  | Transfer Capacitor 1 Negative Connection. Connect a 1μF ceramic capacitor from C1P to C1N.                                                                |
| 3        | 3        | IN   | Supply Voltage Input. Connect a 1μF ceramic capacitor from IN to GND. The input voltage range is 2.7V to 5.5V.                                            |
| 4        | 4        | C2N  | Transfer Capacitor 2 Negative Connection. Connect a 1μF ceramic capacitor from C2P to C2N.                                                                |

# 125mA 1x/1.5x Charge Pumps for 5 White LEDs in 3mm x 3mm TDFN

MAX8630Y/MAX8630Z

## Pin Description (continued)

| PIN      |          | NAME | FUNCTION                                                                                                                                                                                                                                                                                                                                                                                                                                                                                                                                                                                                     |
|----------|----------|------|--------------------------------------------------------------------------------------------------------------------------------------------------------------------------------------------------------------------------------------------------------------------------------------------------------------------------------------------------------------------------------------------------------------------------------------------------------------------------------------------------------------------------------------------------------------------------------------------------------------|
| MAX8630Z | MAX8630Y |      |                                                                                                                                                                                                                                                                                                                                                                                                                                                                                                                                                                                                              |
| 5        | 5        | C2P  | Transfer Capacitor 2 Positive Connection. Connect a 1 $\mu$ F ceramic capacitor from C2P to C2N.                                                                                                                                                                                                                                                                                                                                                                                                                                                                                                             |
| 6        | 6        | C1P  | Transfer Capacitor 1 Positive Connection. Connect a 1 $\mu$ F ceramic capacitor from C1P to C1N.                                                                                                                                                                                                                                                                                                                                                                                                                                                                                                             |
| 7        | 7        | OUT  | Output. Connect a 1 $\mu$ F ceramic capacitor from OUT to GND. Connect OUT to the anodes of all the LEDs. In shutdown, OUT is pulled down by an internal 5k $\Omega$ resistor.                                                                                                                                                                                                                                                                                                                                                                                                                               |
| 8        | —        | ENS  | Enable and Dimming Control for Sub LEDs (LED4 and LED5). Drive ENS logic-low for greater than 4ms to disable the sub LEDs. Drive both ENM and ENS logic-low for greater than 4ms to shut down the IC. Drive ENS logic-high to begin soft-start and enable maximum (100%) sub LED current. Subsequent pulses on ENS cause the sub LED current to decrease in 32 linear steps. Because of the soft-start delay, it is possible to turn on the IC and quickly set a dim level so the sub LED current never transitions through the maximum setting. See the <i>ENM/ENS Dimming Control</i> section.             |
| 9        | —        | ENM  | Enable and Dimming Control for Main LEDs (LED1, LED2, and LED3). Drive ENM logic-low for greater than 4ms to disable the main LEDs. Drive both ENM and ENS logic-low for greater than 4ms to shut down the IC. Drive ENM logic-high to begin soft-start and enable maximum (100%) main LED current. Subsequent pulses on ENM cause the main LED current to decrease in 32 linear steps. Because of the soft-start delay, it is possible to turn on the IC and quickly set a dim level so the main LED current never transitions through the maximum setting. See the <i>ENM/ENS Dimming Control</i> section. |
| —        | 8        | PWM  | Direct PWM input. PWM controls output current as a percentage of full-scale current in proportion to PWM signal duty cycle. The frequency range is 900Hz to 200kHz.                                                                                                                                                                                                                                                                                                                                                                                                                                          |
| —        | 9        | CPWM | PWM Filter Capacitor Connection. Connect a capacitor from CPWM to GND to form a filter with the internal 150k $\Omega$ resistor. The recommended capacitor for 10Hz corner is 0.1 $\mu$ F.                                                                                                                                                                                                                                                                                                                                                                                                                   |
| 10       | 10       | LED5 | Sub LED Cathode Connections and Charge-Pump Feedback. Current flowing into LED_ is based on the ENS (or PWM) description above. The charge pump regulates the lowest LED_ voltage to 0.12V. Connect LED_ to OUT if the corresponding LED is not populated.                                                                                                                                                                                                                                                                                                                                                   |
| 11       | 11       | LED4 |                                                                                                                                                                                                                                                                                                                                                                                                                                                                                                                                                                                                              |
| 12       | 12       | LED3 | Main LED Cathode Connections and Charge-Pump Feedback. Current flowing into LED_ is based on the ENM (or PWM) description above. The charge pump regulates the lowest LED_ voltage to 0.12V. Connect LED_ to OUT if the corresponding LED is not populated.                                                                                                                                                                                                                                                                                                                                                  |
| 13       | 13       | LED2 |                                                                                                                                                                                                                                                                                                                                                                                                                                                                                                                                                                                                              |
| 14       | 14       | LED1 |                                                                                                                                                                                                                                                                                                                                                                                                                                                                                                                                                                                                              |
| —        | —        | EP   | Exposed Paddle. Connect to GND directly under the IC.                                                                                                                                                                                                                                                                                                                                                                                                                                                                                                                                                        |

# 125mA 1x/1.5x Charge Pumps for 5 White LEDs in 3mm x 3mm TDFN

**MAX8630Y/MAX8630Z**

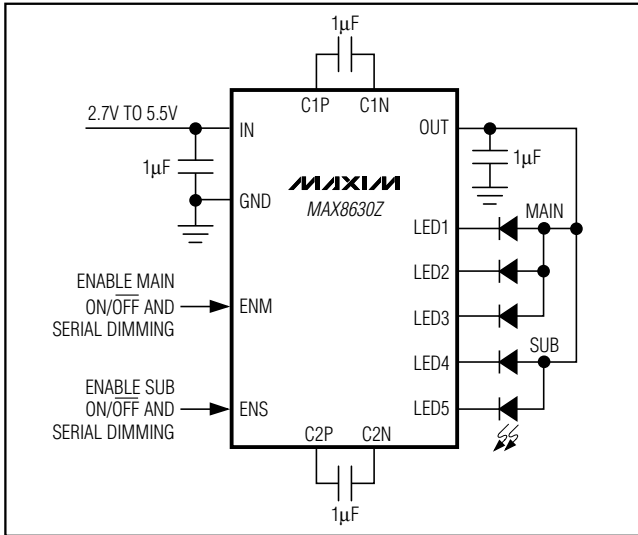


Figure 1. Typical Applications Circuit with the MAX8630Z

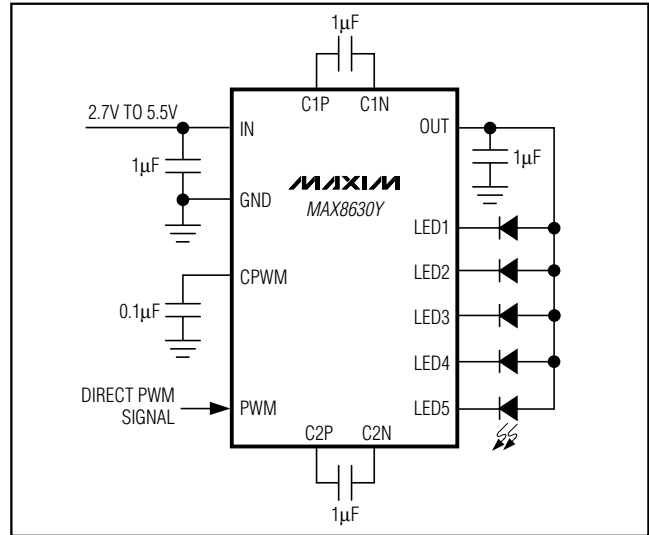


Figure 2. Typical Applications Circuit with the MAX8630Y

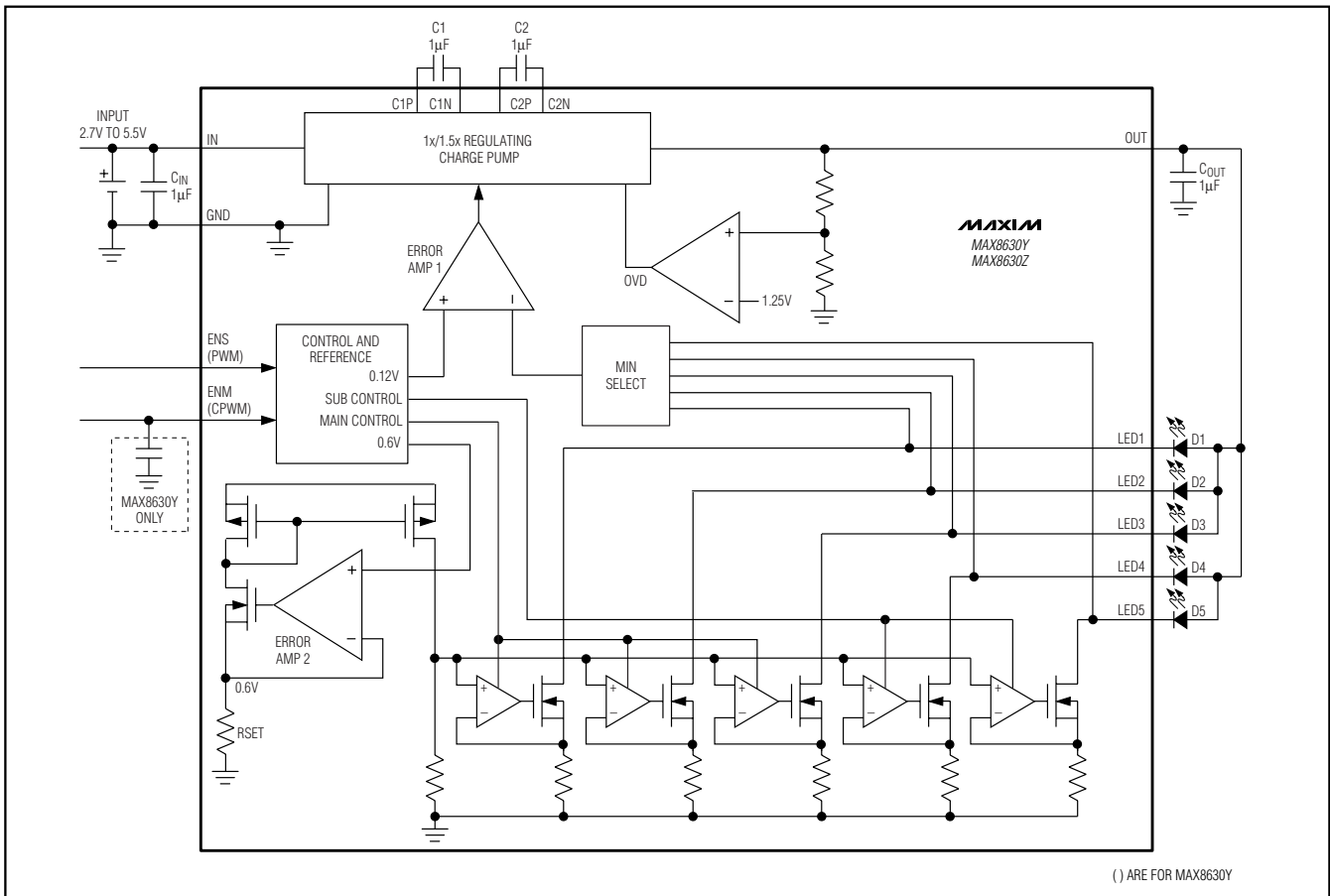


Figure 3. Functional Diagram

# 125mA 1x/1.5x Charge Pumps for 5 White LEDs in 3mm x 3mm TDFN

## Detailed Description

The MAX8630\_ charge pump drives up to 5 white LEDs (3 main LEDs and 2 sub LEDs) with regulated constant current for uniform intensity. By utilizing adaptive 1x/1.5x charge-pump modes and very low-dropout current regulators, it achieves 125mA guaranteed output-drive capability and high efficiency over the 1-cell Li+ battery input voltage range. 1MHz fixed-frequency switching allows for tiny external components and the regulation scheme is optimized to ensure low EMI and low input ripple. The MAX8630Z provides independent on/off/dimming control for main and sub displays (see Figure 1). The MAX8630Y allows direct-PWM dimming of all five LEDs together (see Figure 2). A functional diagram for the MAX8630Z/MAX8630Y is shown in Figure 3.

### 1x to 1.5x Switchover

When  $V_{IN}$  is higher than  $V_{OUT}$ , the MAX8630\_ operates in 1x mode and  $V_{OUT}$  is pulled up to  $V_{IN}$ . The internal current regulators regulate the LED current. As  $V_{IN}$  drops,  $V_{LED_{MIN}}$  eventually falls below the switchover threshold of 88mV, and the MAX8630\_ starts switching in 1.5x mode, and  $V_{LED_{MIN}}$  is regulated to 122mV by the charge pump. To switch back to 1x mode, the MAX8630\_ determines if  $V_{IN} - V_{OUT}$  is sufficient to keep  $V_{LED_{MIN}}$  greater than 88mV. The comparator that makes this judgment is adaptive and matches the switchover for the conditions.

### Soft-Start

The MAX8630\_ includes soft-start circuitry to eliminate inrush current at turn-on. When starting up, the output capacitor is charged directly from the input with a ramped current source (with no charge-pump action) until the output voltage approaches the input voltage. Once this occurs, the charge pump enters 1x mode,

and the LED output current is then ramped up in 32 linear steps. If the current regulators are in dropout at the end of this time, the charge pump switches to 1.5x mode and the current regulators are ramped again. If the output is shorted to ground ( $V_{OUT} < 1.25V$ ), the part stays in the initial soft-start stage and output current is limited by the ramped current source. Additionally, when the main or sub LED current rolls over from 1/32 to full, the LED current regulators soft-start again to eliminate input current spikes.

### ENM/ENS Dimming Control (MAX8630Z)

When the LEDs are enabled (by driving  $EN_{-}$  high), the MAX8630Z goes through soft-start and brings the LED current up in 32 linear steps. Dim the MAX8630Z by pulsing  $EN_{-}$  low (500ns to 500 $\mu$ s pulse width). Each pulse reduces the LED current by 1/32nd. After 31 pulses, the current reaches 1/32, and the next pulse restores the current to 100%. Figure 4 shows a timing diagram for  $EN_{-}$ .

If dimming control is not required, ENM and ENS work as simple on/off controls. Drive ENM/ENS high to enable the LEDs, or drive ENM/ENS low for shutdown. The LEDs operate at 100% brightness under these simple on/off conditions.

### PWM Dimming Control (MAX8630Y)

Dim the MAX8630Y by applying a direct-PWM logic-level signal to PWM. An internal resistor combined with the capacitor at CPWM forms a lowpass filter that converts the PWM signal to DC LED current that is proportional to the PWM signal's duty cycle. All five LEDs are controlled together on the MAX8630Y. The PWM frequency range is 900Hz to 200kHz.

If dimming control is not required, PWM works as a simple on/off control. Drive PWM high to enable the LEDs, or drive PWM low for shutdown.

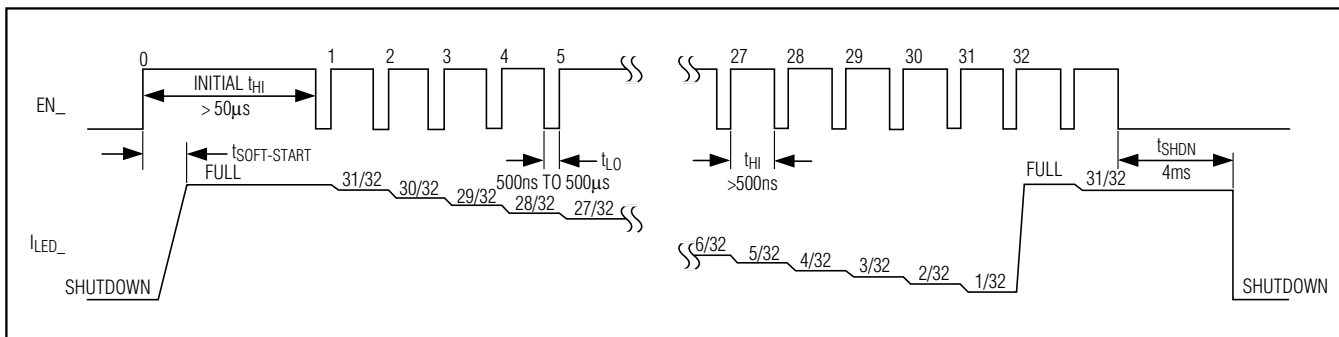


Figure 4. MAX8630Z  $EN_{-}$  Timing Diagram

# 125mA 1x/1.5x Charge Pumps for 5 White LEDs in 3mm x 3mm TDFN

## Shutdown Mode

When both ENM and ENS (or PWM) are held low for 4ms or longer, the MAX8630\_ is shut down and put in a low-current mode. OUT is internally pulled to GND with 5k $\Omega$  during shutdown.

## Overvoltage Protection

If any LED fails as an open circuit, the corresponding V<sub>LED\_</sub> goes to 0V, and the output voltage is limited to about 5V by gating on/off the charge pump. In case any LED\_ is floating or grounded, the MAX8630\_ operates in the same overvoltage protection mode. To avoid overvoltage protection mode when using fewer than five LEDs, connect any unused LED\_ to OUT. The MAX8630\_ contains special circuitry to detect this condition and disables the corresponding current regulator to avoid wasting battery current.

## Thermal Shutdown

The MAX8630\_ includes a thermal-protection circuit that shuts down the IC when the die temperature reaches about +160°C. The part turns on after the IC cools by approximately 20°C.

## Temperature Derating Function

The MAX8630 contains a derating function that automatically limits the LED current at high temperatures in accordance with the recommended derating curve of popular white LEDs. The derating function enables the safe usage of higher LED currents at room temperature, thus reducing the number of LEDs required to backlight the display. The derating circuit protects the LEDs from overheating at high PC board temperatures. The derating circuit limits the LED current by reducing the internal 600mV reference voltage above +40°C at approximately -1.67%/°C. The typical derating function characteristic is shown in the *Typical Operating Characteristics*.

## Applications Information

### Driving Fewer than 5 LEDs

To avoid overvoltage protection mode when using fewer than five LEDs, connect any unused LED\_ to OUT. The MAX8630\_ contains special circuitry to detect this condition and disables the corresponding current regulator to avoid wasting battery current.

### Input Ripple

For LED drivers, input ripple is more important than output ripple. Input ripple depends on the source supply's output impedance. Adding a lowpass filter to the input of the MAX8630\_ further reduces input ripple. Alternatively, increasing C<sub>IN</sub> to 2.2 $\mu$ F (or 4.7 $\mu$ F) cuts input ripple in half (or in fourth) with only a small increase in footprint. The 1x mode always has very low input ripple.

### Component Selection

Ceramic capacitors are recommended due to their small size, low cost, and low ESR. Select ceramic capacitors that maintain their capacitance over temperature and DC bias. Capacitors with X5R or X7R temperature characteristics generally perform well. See Table 1 for a list of recommended components. Using a larger value input capacitor helps to reduce input ripple (see the *Input Ripple* section).

### PC Board Layout and Routing

The MAX8630\_ is a high-frequency, switched-capacitor voltage regulator. For best circuit performance, use a solid ground plane and place C<sub>IN</sub>, C<sub>OUT</sub>, C1, and C2 as close to the MAX8630\_ as possible. See the MAX8630Z evaluation kit for an example layout.

## Chip Information

PROCESS: BiCMOS

**Table 1. Recommended Components**

| DESIGNATION                                 | VALUE     | MANUFACTURER | PART NUMBER    | DESCRIPTION                                             |
|---------------------------------------------|-----------|--------------|----------------|---------------------------------------------------------|
| C <sub>IN</sub> , C <sub>OUT</sub> , C1, C2 | 1 $\mu$ F | Taiyo Yuden  | JMK105 BJ105MV | 1 $\mu$ F $\pm$ 20%, 6.3V X5R ceramic capacitors (0402) |
|                                             |           | TDK          | C1005X5R0J105M | 1 $\mu$ F $\pm$ 20%, 6.3V X5R ceramic capacitors (0402) |
| D1–D5                                       | —         | Nichia       | NSCW215T       | White LEDs                                              |

# 125mA 1x/1.5x Charge Pumps for 5 White LEDs in 3mm x 3mm TDFN

## Ordering Information (continued)

| PART                    | PIN-PACKAGE            | TOP MARK | PKG CODE |
|-------------------------|------------------------|----------|----------|
| MAX8630YETD15-T         | 14 TDFN<br>(3mm x 3mm) | AAS      | T1433-2  |
| MAX8630YETD18+T         | 14 TDFN<br>(3mm x 3mm) | AAT      | T1433-2  |
| MAX8630YETD18-T         | 14 TDFN<br>(3mm x 3mm) | AAT      | T1433-2  |
| MAX8630YETD20+T         | 14 TDFN<br>(3mm x 3mm) | AAU      | T1433-2  |
| MAX8630YETD20-T         | 14 TDFN<br>(3mm x 3mm) | AAU      | T1433-2  |
| MAX8630YETD25+T         | 14 TDFN<br>(3mm x 3mm) | AAV      | T1433-2  |
| MAX8630YETD25-T         | 14 TDFN<br>(3mm x 3mm) | AAV      | T1433-2  |
| <b>MAX8630Z</b> ETD15+T | 14 TDFN<br>(3mm x 3mm) | AAW      | T1433-2  |
| MAX8630ZETD15-T         | 14 TDFN<br>(3mm x 3mm) | AAW      | T1433-2  |
| MAX8630ZETD18+T         | 14 TDFN<br>(3mm x 3mm) | AAX      | T1433-2  |
| MAX8630ZETD18-T         | 14 TDFN<br>(3mm x 3mm) | AAX      | T1433-2  |
| MAX8630ZETD20+T         | 14 TDFN<br>(3mm x 3mm) | AAY      | T1433-2  |
| MAX8630ZETD20-T         | 14 TDFN<br>(3mm x 3mm) | AAY      | T1433-2  |
| MAX8630ZETD25+T         | 14 TDFN<br>(3mm x 3mm) | AAZ      | T1433-2  |
| MAX8630ZETD25-T         | 14 TDFN<br>(3mm x 3mm) | AAZ      | T1433-2  |

**Note:** All devices are specified to operate over the -40°C to +85°C operating temperature range.

+Denotes a lead-free package.

## Selector Guide

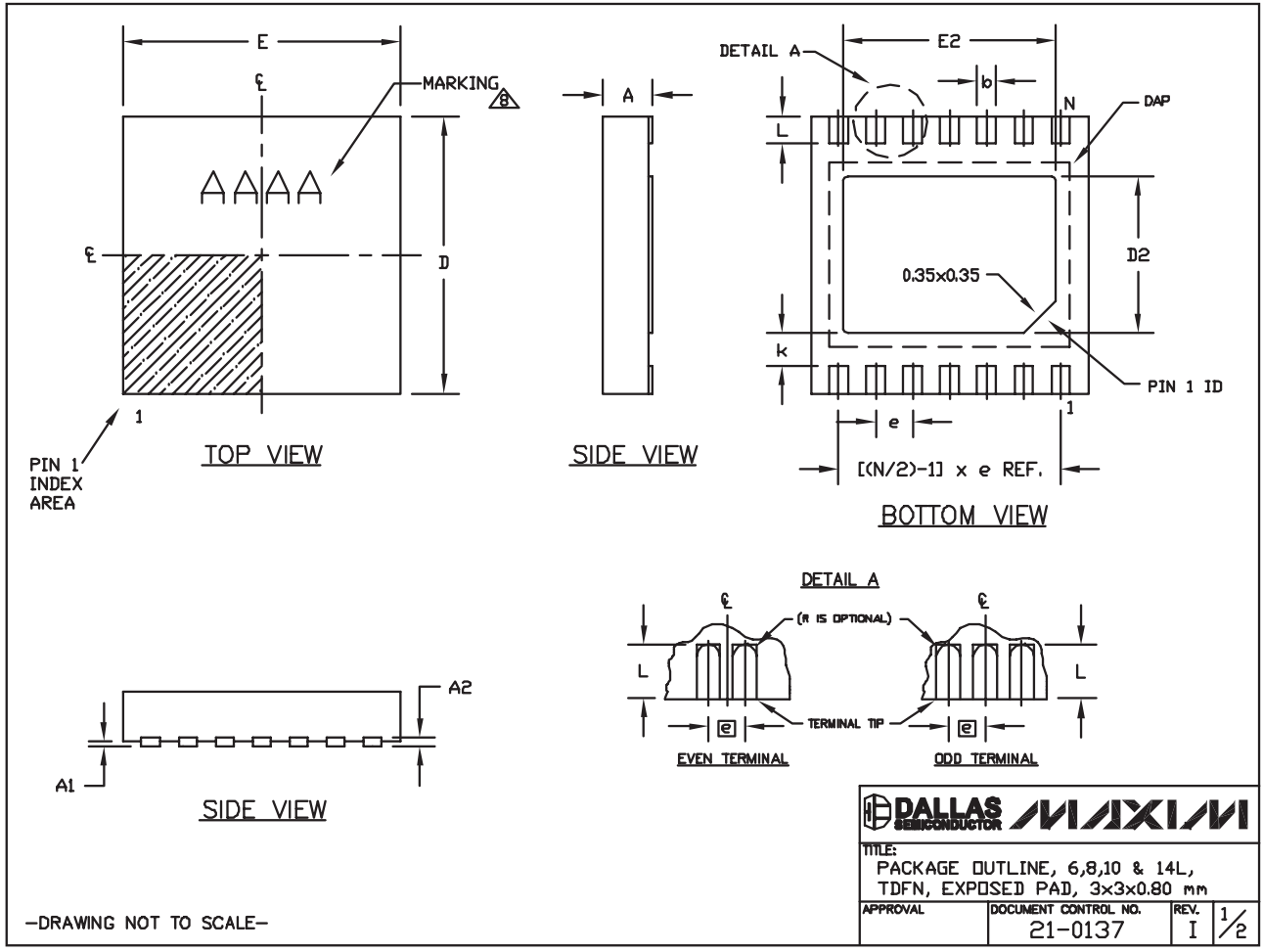
| PART          | FULL-SCALE CURRENT (mA) | DIMMING INTERFACE |
|---------------|-------------------------|-------------------|
| MAX8630YETD15 | 15                      | Direct PWM        |
| MAX8630YETD18 | 18                      | Direct PWM        |
| MAX8630YETD20 | 20                      | Direct PWM        |
| MAX8630YETD25 | 25                      | Direct PWM        |
| MAX8630ZETD15 | 15                      | Serial Pulse      |
| MAX8630ZETD18 | 18                      | Serial Pulse      |
| MAX8630ZETD20 | 20                      | Serial Pulse      |
| MAX8630ZETD25 | 25                      | Serial Pulse      |

# 125mA 1x/1.5x Charge Pumps for 5 White LEDs in 3mm x 3mm TDFN

## Package Information

(The package drawing(s) in this data sheet may not reflect the most current specifications. For the latest package outline information go to [www.maxim-ic.com/packages](http://www.maxim-ic.com/packages).)

**MAX8630Y/MAX8630Z**



# 125mA 1x/1.5x Charge Pumps for 5 White LEDs in 3mm x 3mm TDFN


## Package Information (continued)

(The package drawing(s) in this data sheet may not reflect the most current specifications. For the latest package outline information go to [www.maxim-ic.com/packages](http://www.maxim-ic.com/packages).)


| COMMON DIMENSIONS |           |      |
|-------------------|-----------|------|
| SYMBOL            | MIN.      | MAX. |
| A                 | 0.70      | 0.80 |
| D                 | 2.90      | 3.10 |
| E                 | 2.90      | 3.10 |
| A1                | 0.00      | 0.05 |
| L                 | 0.20      | 0.40 |
| k                 | 0.25 MIN. |      |
| A2                | 0.20 REF. |      |

| PACKAGE VARIATIONS |    |           |           |          |                |           |               |
|--------------------|----|-----------|-----------|----------|----------------|-----------|---------------|
| PKG. CODE          | N  | D2        | E2        | e        | JEDEC SPEC     | b         | [(N/2)-1] x e |
| T633-2             | 6  | 1.50±0.10 | 2.30±0.10 | 0.95 BSC | MO229 / WEEA   | 0.40±0.05 | 1.90 REF      |
| T833-2             | 8  | 1.50±0.10 | 2.30±0.10 | 0.65 BSC | MO229 / WEEC   | 0.30±0.05 | 1.95 REF      |
| T833-3             | 8  | 1.50±0.10 | 2.30±0.10 | 0.65 BSC | MO229 / WEEC   | 0.30±0.05 | 1.95 REF      |
| T1033-1            | 10 | 1.50±0.10 | 2.30±0.10 | 0.50 BSC | MO229 / WEED-3 | 0.25±0.05 | 2.00 REF      |
| T1033-2            | 10 | 1.50±0.10 | 2.30±0.10 | 0.50 BSC | MO229 / WEED-3 | 0.25±0.05 | 2.00 REF      |
| T1433-1            | 14 | 1.70±0.10 | 2.30±0.10 | 0.40 BSC | ----           | 0.20±0.05 | 2.40 REF      |
| T1433-2            | 14 | 1.70±0.10 | 2.30±0.10 | 0.40 BSC | ----           | 0.20±0.05 | 2.40 REF      |

**NOTES:**

1. ALL DIMENSIONS ARE IN mm. ANGLES IN DEGREES.
  2. COPLANARITY SHALL NOT EXCEED 0.08 mm.
  3. WARPAGE SHALL NOT EXCEED 0.10 mm.
  4. PACKAGE LENGTH/PACKAGE WIDTH ARE CONSIDERED AS SPECIAL CHARACTERISTIC(S).
  5. DRAWING CONFORMS TO JEDEC MO229, EXCEPT DIMENSIONS "D2" AND "E2", AND T1433-1 & T1433-2.
  6. "N" IS THE TOTAL NUMBER OF LEADS.
  7. NUMBER OF LEADS SHOWN ARE FOR REFERENCE ONLY.
-  MARKING IS FOR PACKAGE ORIENTATION REFERENCE ONLY.

-DRAWING NOT TO SCALE-

|                                                                                       |                      |      |     |
|---------------------------------------------------------------------------------------|----------------------|------|-----|
|  |                      |      |     |
| <b>TITLE:</b><br>PACKAGE OUTLINE, 6,8,10 & 14L,<br>TDFN, EXPOSED PAD, 3x3x0.80 mm     |                      |      |     |
| APPROVAL                                                                              | DOCUMENT CONTROL NO. | REV. | 2/2 |
|                                                                                       | 21-0137              | I    |     |

## Revision History

Pages changed at Rev 1: 1, 3, 6, 8-12

Maxim cannot assume responsibility for use of any circuitry other than circuitry entirely embodied in a Maxim product. No circuit patent licenses are implied. Maxim reserves the right to change the circuitry and specifications without notice at any time.

12 \_\_\_\_\_ **Maxim Integrated Products, 120 San Gabriel Drive, Sunnyvale, CA 94086 408-737-7600**

## Looking for pricing, stock, or lifecycle information?

Click below to explore more details on WIN SOURCE:

- ⊖ [View MAX8630ZETD20+](#) on WIN SOURCE
- ⊖ [Maxim Integrated](#) Information

## Optimize Your Supply Chain with WIN SOURCE Solutions

- ✓ Global Sourcing Solution
- ✓ Obsolete Management
- ✓ Cost Control Management
- ✓ Shortage Management
- ✓ Alternative Solution
- ✓ Excess Inventory Management