



THE DATASHEET OF MAX792MCSE+





Microprocessor and Nonvolatile Memory Supervisory Circuits

General Description

The MAX792/MAX820 microprocessor (μ P) supervisory circuits provide the most functions for power-supply and watchdog monitoring in systems without battery backup. Built-in features include the following:

- μ P reset: Assertion of $\overline{\text{RESET}}$ and $\overline{\text{RESET}}$ outputs during power-up, power-down, and brownout conditions. $\overline{\text{RESET}}$ is guaranteed valid for V_{CC} down to 1V.
- Manual-reset input.
- Two-stage power-fail warning: A separate low-line comparator compares V_{CC} to a preset threshold 120mV above the reset threshold; the low-line and reset thresholds can be programmed externally.
- Watchdog fault output: Assertion of $\overline{\text{WDO}}$ if the watchdog input is not toggled within a preset timeout period.
- Pulsed watchdog output: Advance warning of impending $\overline{\text{WDO}}$ assertion from watchdog timeout that causes hardware shutdown.
- Write protection of CMOS RAM, EEPROM, or other memory devices.

The MAX792 and MAX820 are identical, except the MAX820 guarantees higher low-line and reset threshold accuracy ($\pm 2\%$).

Applications

Computers
 Controllers
 Intelligent Instruments
 Critical μ P Power Monitoring

Features

- ◆ Manual-Reset Input
- ◆ 200ms Power-OK/Reset Time Delay
- ◆ Independent Watchdog Timer—Preset or Adjustable
- ◆ On-Board Gating of Chip-Enable Signals
- ◆ Memory Write-Cycle Completion
- ◆ 10ns (max) Chip-Enable Gate Propagation Delay
- ◆ Voltage Monitor for Overvoltage Warning
- ◆ $\pm 2\%$ Reset and Low-Line Threshold Accuracy (MAX820, external programming mode)

Ordering Information

PART**	TEMP. RANGE	PIN-PACKAGE
MAX792_CPE	0°C to +70°C	16 Plastic DIP
MAX792_CSE	0°C to +70°C	16 Narrow SO
MAX792_C/D	0°C to +70°C	Dice*

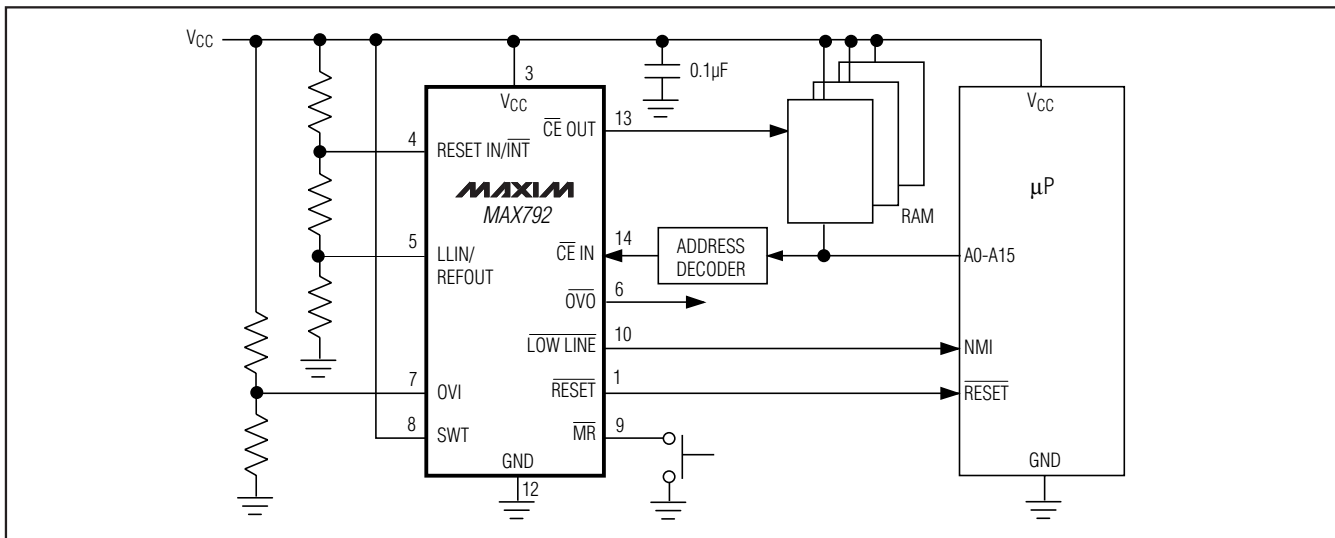
Ordering Information continued at end of data sheet.

* Dice are tested at $T_A = +25^\circ\text{C}$, DC parameters only.

** These parts offer a choice of five different reset threshold voltages. Select the letter corresponding to the desired nominal reset threshold voltage and insert it into the blank to complete the part number. Devices in PDIP, SO and μ MAX packages are available in both leaded and lead-free packaging. Specify lead free by adding the + symbol at the end of the part number when ordering. Lead free not available for CERDIP package.

SUFFIX	RESET THRESHOLD (V)
L	4.62
M	4.37
T	3.06
S	2.91
R	2.61

Typical Operating Circuit



Microprocessor and Nonvolatile Memory Supervisory Circuits

ABSOLUTE MAXIMUM RATINGS

Input Voltage (with respect to GND)	
V _{CC}	-0.3V to +6V
All Other Inputs.....	-0.3V to (V _{CC} + 0.3V)
Input Current	
GND25mA
All Other Outputs25mA
Continuous Power Dissipation (T _A = +70°C)	
Plastic DIP (derate 10.53mW/°C above +70°C)842mW
Narrow SO (derate 9.52mW/°C above +70°C)762mW
CERDIP (derate 10.00mW/°C above +70°C).....	.800mW

Operating Temperature Ranges:

MAX792_C_/MAX820_C_.....	0°C to +70°C
MAX792_E_/MAX820_E_.....	-40°C to +85°C
MAX792_MJE_/MAX820_MJE_.....	-55°C to +125°C
Storage Temperature Range	-65°C to +160°C
Lead Temperature (soldering, 10s)	+300°C

Stresses beyond those listed under "Absolute Maximum Ratings" may cause permanent damage to the device. These are stress ratings only, and functional operation of the device at these or any other conditions beyond those indicated in the operational sections of the specifications is not implied. Exposure to absolute maximum rating conditions for extended periods may affect device reliability.

ELECTRICAL CHARACTERISTICS

(V_{CC} = 2.75V to 5.5V, T_A = T_{MIN} to T_{MAX}, unless otherwise noted.)

PARAMETER	CONDITIONS	MIN	TYP	MAX	UNITS
Operating Voltage Range (Note 1)		2.75			V
Supply Current			70	150	μA
RESET COMPARATOR					
Reset Threshold Voltage— Internal Threshold Mode (V _{TH})	MAX792L, MAX820L	4.50	4.62	4.75	V
	MAX792M, MAX820M	4.25	4.37	4.50	
	MAX792R, MAX820R	2.55	2.61	2.70	
	MAX792S, MAX820S	2.85	2.91	3.00	
	MAX792T, MAX820T	3.00	3.06	3.15	
	MAX820L, T _A = +25°C, V _{CC} falling	4.55		4.70	
	MAX820M, T _A = +25°C, V _{CC} falling	4.30		4.45	
	MAX820R, T _A = +25°C, V _{CC} falling	2.55		2.66	
	MAX820S, T _A = +25°C, V _{CC} falling	2.85		2.96	
	MAX820T, T _A = +25°C, V _{CC} falling	3.00		3.11	
Reset Threshold Voltage External Threshold Mode (V _{TH})	MAX792, V _{CC} = 5V or V _{CC} = 3V	1.25	1.30	1.35	V
	MAX820, V _{CC} = 5V or V _{CC} = 3V	1.274	1.30	1.326	
RESET IN/ $\overline{\text{INT}}$ Mode Threshold (Note 2)	Internal threshold mode			60	mV
RESET IN/ $\overline{\text{INT}}$ Leakage Current			±0.01	±25	nA
Reset Threshold Hysteresis			0.016 x V _{TH}		V
Reset Comparator Delay	V _{CC} falling		70		μs
Reset Active Timeout Period	V _{CC} rising	140	200	280	ms
$\overline{\text{RESET}}$ Output Voltage	ISINK = 50μA, V _{CC} = 1V, V _{CC} falling		0.01	0.3	V
	ISINK = 1.6mA		0.1	0.4	
	ISOURCE = 1mA	V _{CC} - 1			
	ISOURCE = 100μA	V _{CC} - 0.5			
RESET Output Voltage	ISINK = 1.6mA		0.1	0.4	V
	ISOURCE = 1mA	V _{CC} - 1			
	ISOURCE = 100μA	V _{CC} - 0.5			

Microprocessor and Nonvolatile Memory Supervisory Circuits

MAX792/MAX820

ELECTRICAL CHARACTERISTICS (continued)

($V_{CC} = 2.75V$ to $5.5V$, $T_A = T_{MIN}$ to T_{MAX} , unless otherwise noted.)

PARAMETER	CONDITIONS	MIN	TYP	MAX	UNITS
LOW-LINE COMPARATOR					
Low-Line Threshold Voltage (Internal Threshold Mode)— V_{TH}	MAX792/MAX820L/M	50	120	210	mV
	MAX792/MAX820R/S/T	40	100	210	
Low-Line Threshold Voltage (External Programming Mode)	MAX792, $V_{CC} = 5V$ OR $V_{CC} = 3V$	1.25	1.30	1.35	V
	MAX820, $V_{CC} = 5V$ OR $V_{CC} = 3V$	1.274	1.30	1.326	
Low-Line Hysteresis (Internal Threshold Mode)			20		mV
LLIN/REFOUT Leakage Current External Programming Mode			± 0.01	± 25	nA
Low-Line Comparator Delay	V_{CC} falling		450		μs
$\overline{LOWLINE}$ Voltage	$I_{SINK} = 3.2mA$			0.4	V
	$I_{SOURCE} = 1\mu A$	$V_{CC} - 1$			
$\overline{LOWLINE}$ Short-Circuit Current	Output source current, $V_{CC} = 5.5V$		10	50	μA
WATCHDOG FUNCTION					
Watchdog Timeout Period	SWT connected to V_{CC} , $V_{CC} = 5V$	1.00	1.60	2.25	sec
	SWT connected to V_{CC} , $V_{CC} = 3V$	1.00	1.60	2.25	
	4.7nF capacitor connected from SWT to GND, $V_{CC} = 3V$		70		ms
	4.7nF capacitor connected from SWT to GND, $V_{CC} = 5V$		100		
Watchdog Input Pulse Width	$V_{IL} = 0V$, $V_{IH} = V_{CC}$	$V_{CC} = 5V$	100		ns
		$V_{CC} = 3V$	300		
\overline{WDO} Output Voltage	$I_{SINK} = 50\mu A$, $V_{CC} = 1V$, V_{CC} falling		0.01	0.30	V
	$I_{SINK} = 1.6mA$		0.1	0.4	
	$I_{SOURCE} = 1mA$	$V_{CC} - 1$			
	$I_{SOURCE} = 100\mu A$	$V_{CC} - 0.5$			
\overline{WDPO} to \overline{WDO} Delay			70		ns
\overline{WDPO} Duration		0.5	1.7	6.0	ms
\overline{WDPO} Output Voltage	$I_{SINK} = 50\mu A$, $V_{CC} = 1V$, V_{CC} falling		0.01	0.3	V
	$I_{SINK} = 1.6mA$		0.1	0.4	
	$I_{SOURCE} = 1mA$	$V_{CC} - 1$			
	$I_{SOURCE} = 100\mu A$	$V_{CC} - 0.5$			
WDI Threshold Voltage	$V_{CC} = 4.25V$	V_{IH}	$0.75 \times V_{CC}$		V
		V_{IL}	0.8		
	$V_{CC} = 2.55V$	V_{IH}	$0.9 \times V_{CC}$		
		V_{IL}	0.2		
WDI Input Current				± 1	μA

Microprocessor and Nonvolatile Memory Supervisory Circuits

ELECTRICAL CHARACTERISTICS (continued)

($V_{CC} = +2.75V$ to $+5.5V$, $T_A = T_{MIN}$ to T_{MAX} , unless otherwise noted.)

PARAMETER	CONDITIONS		MIN	TYP	MAX	UNITS
OVERVOLTAGE COMPARATOR						
OVI Input Threshold	$V_{CC} = 5V$ or $V_{CC} = 3V$		1.25	1.30	1.35	V
OVI Leakage Current				± 0.01	± 25	nA
\overline{OVO} Output Voltage	$I_{SINK} = 3.2mA$				0.4	V
	$I_{SOURCE} = 1\mu A$		$V_{CC} - 1$			
\overline{OVO} Short-Circuit Current	Output source current, $V_{CC} = 5.5V$			10	50	μA
OVI to \overline{OVO} Delay	$V_{OD} = 100mV$, OVI rising			13		μs
	$V_{OD} = 100mV$, OVI falling			55		
CHIP-ENABLE GATING						
\overline{CE} IN Threshold Voltage	$V_{CC} = 4.25V$	V_{IH}	$0.75 \times V_{CC}$			V
		V_{IL}			0.8	
	$V_{CC} = 2.55V$	V_{IH}	$0.75 \times V_{CC}$			
		V_{IL}			0.2	
\overline{CE} IN Leakage Current	Disabled mode			± 0.005	± 1	μA
\overline{CE} IN to \overline{CE} OUT Resistance	Enabled mode	$V_{CC} = 5V$		75	150	Ω
		$V_{CC} = 3V$		150	300	
\overline{CE} OUT Short-Circuit Current	Disabled mode, $\overline{CE}_{OUT} = 0V$	$V_{CC} = 5V$	0.5		2.5	mA
		$V_{CC} = 3V$	0.05	0.2	0.4	
Chip-Enable Propagation Delay (Note 3)	50 Ω source impedance driver, $C_{LOAD} = 50pF$	$V_{CC} = 5V$		6	10	ns
		$V_{CC} = 3V$		8	13	
Chip-Enable Output Voltage High (Reset Active)	$I_{OUT} = -100\mu A$		$V_{CC} - 1$			V
	$I_{OUT} = 10\mu A$		$V_{CC} - 0.5$			
Reset Active to \overline{CE} OUT High	V_{CC} falling			15		μs
MANUAL RESET						
\overline{MR} Minimum Pulse Width			25			μs
\overline{MR} to \overline{RESET} Propagation Delay				12		μs
\overline{MR} Threshold Range			1.1	1.3	1.5	V
\overline{MR} Pull-Up Current	$\overline{MR} = 0V$	$V_{CC} = 4.25V$ to $V_{CC} = 5.5V$	5	23	80	μA
		$V_{CC} = 2.5V$	1			

Note 1: The minimum operating voltage is 2.75V; however, the MAX792R and MAX820R are guaranteed to operate down to their preset reset thresholds.

Note 2: Pulling \overline{RESET} IN/ \overline{INT} below 60mV selects internal threshold mode and connects the internal voltage divider to the reset and low-line comparators. External programming mode allows an external resistor divider to set the low-line and reset thresholds (see Figure 4).

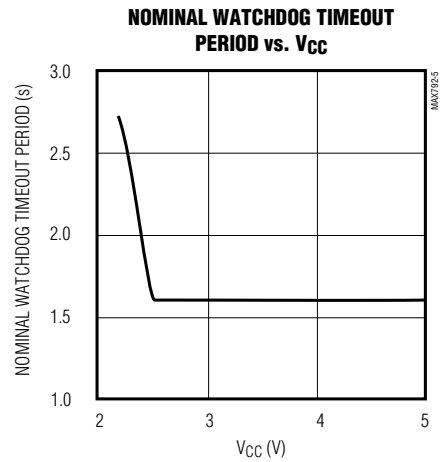
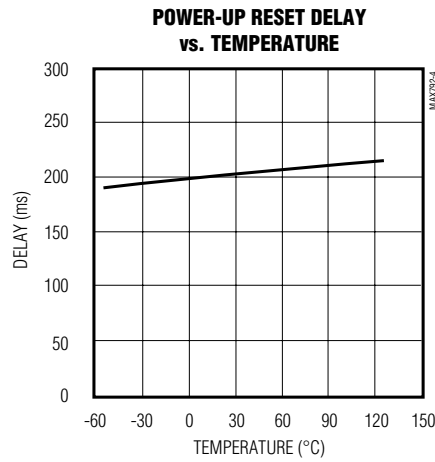
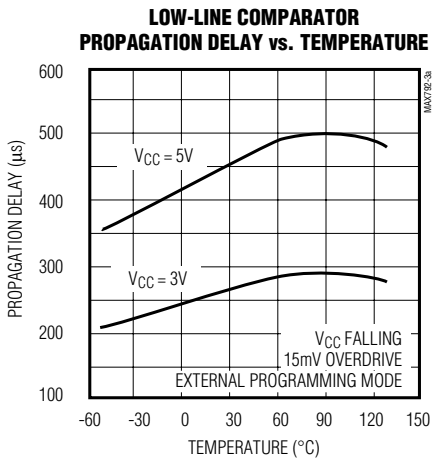
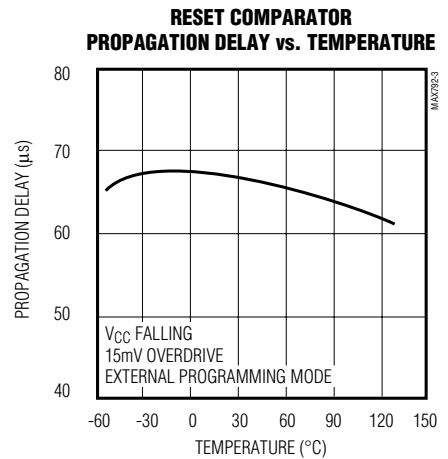
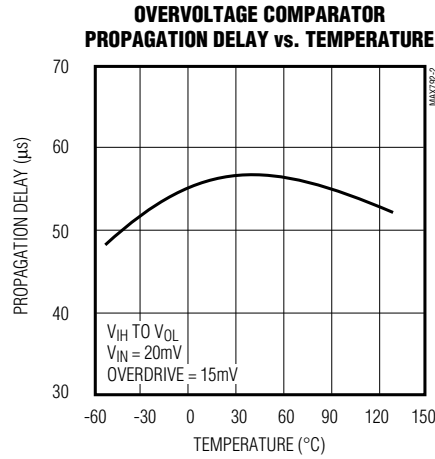
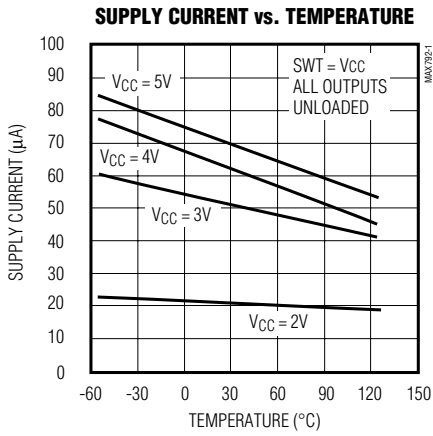
Note 3: The Chip-Enable Propagation delay is measured from the 50% point at \overline{CE} IN to the 50% point at \overline{CE} OUT.

Microprocessor and Nonvolatile Memory Supervisory Circuits

Typical Operating Characteristics

($T_A = +25^\circ\text{C}$, unless otherwise noted.)

MAX792/MAX820

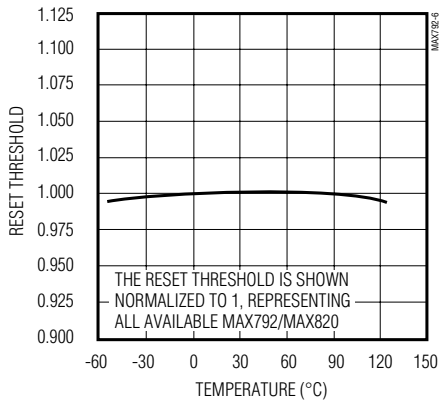


Microprocessor and Nonvolatile Memory Supervisory Circuits

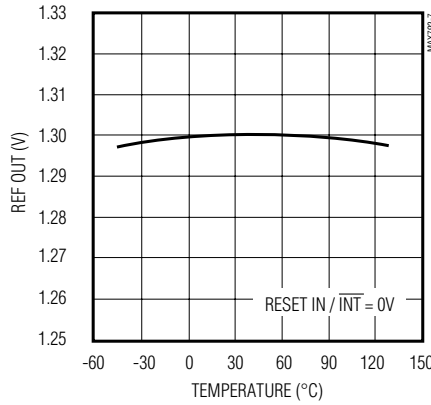
Typical Operating Characteristics (continued)

(T_A = +25°C, unless otherwise noted.)

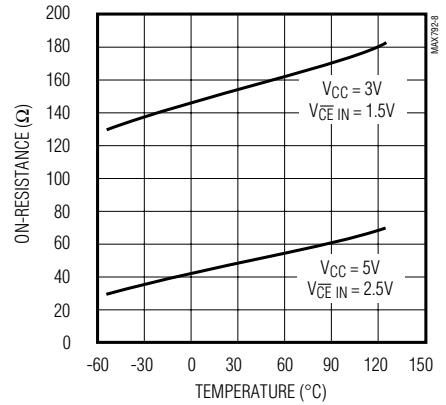
INTERNAL-MODE RESET THRESHOLD vs. TEMPERATURE (NORMALIZED)



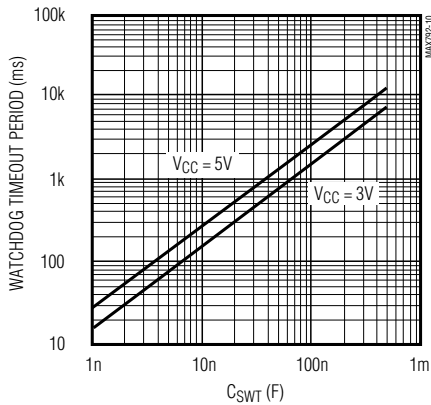
REF OUT VOLTAGE vs. TEMPERATURE



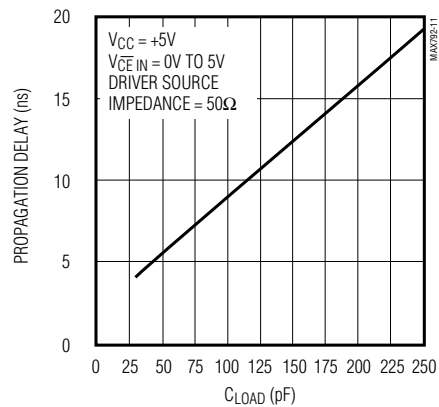
CHIP-ENABLE ON-RESISTANCE vs. TEMPERATURE



WATCHDOG TIMEOUT PERIOD vs. SWT LOAD CAPACITANCE



CHIP-ENABLE PROPAGATION DELAY vs. CE OUT LOAD CAPACITANCE



Microprocessor and Nonvolatile Memory Supervisory Circuits

Pin Description

MAX792/MAX820

PIN	NAME	FUNCTION
1	$\overline{\text{RESET}}$	Active-Low Reset Output goes low whenever V_{CC} falls below the reset threshold in internal threshold programming mode, or RESET IN falls below 1.30V in external threshold programming mode. $\overline{\text{RESET}}$ remains low for 200ms typ after the threshold is exceeded on power-up.
2	RESET	Reset is the inverse of $\overline{\text{RESET}}$.
3	V_{CC}	Input Supply Voltage
4	RESET IN/ $\overline{\text{INT}}$	Reset-Input/Internal-Mode Select. Connect this input to GND to select internal threshold mode. Select external programming mode by pulling this input 600mV or higher through an external voltage divider.
5	LLIN/REF OUT	Low-Line Input/Reference Output connects directly to the low-line comparator in external programming mode (RESET IN/ $\overline{\text{INT}} \geq 600\text{mV}$). Connects directly to the internal 1.30V reference in internal threshold mode (RESET IN/ $\overline{\text{INT}} \leq 60\text{mV}$).
6	$\overline{\text{OVO}}$	Overvoltage Comparator Output goes low when OVI is greater than 1.30V. This is an uncommitted comparator and has no effect on any other internal circuitry.
7	OVI	Inverting Input to the Overvoltage Comparator. When OVI is greater than 1.30V, $\overline{\text{OVO}}$ goes low. Connect OVI to GND or V_{CC} when not used.
8	SWT	Set Watchdog-Timeout Input. Connect this input to V_{CC} to select the default 1.6sec watchdog timeout period. Connect a capacitor between this input and GND to select another watchdog-timeout period. Watchdog timeout period = $k \times (\text{capacitor value in nF})\text{mV}$, where $k = 27$ for $V_{CC} = 5\text{V}$ and $k = 16.2$ for $V_{CC} = 3\text{V}$. If the watchdog function is unused, connect SWT to V_{CC} .
9	$\overline{\text{MR}}$	Manual-Reset Input. This input can be tied to an external momentary pushbutton switch, or to a logic gate output. Internally pulled up to V_{CC} .
10	$\overline{\text{LOW LINE}}$	Low-Line Output. $\overline{\text{LOW LINE}}$ goes low 120mV above the reset threshold in internal threshold mode, or when LLIN/REFOUT goes below 1.30V in external programming mode.
11	WDI	Watchdog Input. If WDI remains either high or low for longer than the watchdog timeout period, $\overline{\text{WDPO}}$ pulses low and $\overline{\text{WDO}}$ goes low. $\overline{\text{WDO}}$ remains low until the next transition at WDI. Connect to GND or V_{CC} if unused.
12	GND	Ground
13	$\overline{\text{CE OUT}}$	Chip-Enable Output. $\overline{\text{CE OUT}}$ goes low only when $\overline{\text{CE IN}}$ is low and reset is not asserted. If $\overline{\text{CE IN}}$ is low when reset is asserted, $\overline{\text{CE OUT}}$ will stay low for 15 μs or until $\overline{\text{CE IN}}$ goes high, whichever occurs first.
14	$\overline{\text{CE IN}}$	Chip-Enable Input—the input to the chip-enable transmission gate. Connect to GND or V_{CC} if not used.
15	$\overline{\text{WDO}}$	Watchdog Output. $\overline{\text{WDO}}$ goes low if WDI remains either high or low longer than the watchdog timeout period. $\overline{\text{WDO}}$ returns high on the next transition at WDI.
16	$\overline{\text{WDPO}}$	Watchdog-Pulse Output. Upon the absence of a transition at WDI, $\overline{\text{WDPO}}$ will pulse low for a minimum of 500 μs . $\overline{\text{WDPO}}$ precedes $\overline{\text{WDO}}$ by typically 70ns.

Microprocessor and Nonvolatile Memory Supervisory Circuits

Detailed Description

Manual-Reset Input

Many μ P-based products require manual-reset capability, allowing the operator to initiate a reset. The manual/external-reset input (\overline{MR}) can connect directly to a switch without an external pull-up resistor or debouncing network. \overline{MR} internally connects to a 1.30V comparator, and has a high-impedance pull-up to V_{CC} , as shown in Figure 1. The propagation delay from asserting \overline{MR} to reset asserted is typically 12 μ s. Pulsing \overline{MR} low for a minimum of 25 μ s asserts the reset function (see *Reset Function* section). The reset output remains active as long as \overline{MR} is held low, and the reset timeout period begins after \overline{MR} returns high (Figure 2). To provide extra noise immunity in high-noise environments, pull \overline{MR} up to V_{CC} with a 100k Ω resistor.

Use \overline{MR} as either a digital logic input or as a second low-line comparator. Normal TTL/CMOS levels can be wire-OR connected via pull-down diodes (Figure 3), and open-drain/collector outputs can be wire-ORed directly.

Monitoring the Regulated Supply

The MAX792/MAX820 offer two modes for monitoring the regulated supply and providing reset and non-maskable interrupt (NMI) signals to the μ P: internal threshold mode uses the factory preset low-line and reset thresholds, and external programming mode allows the low-line and reset thresholds to be programmed externally using a resistor voltage divider (Figure 4).

Internal Threshold Mode

Connecting the reset-input/internal-mode select pin (RESET IN/ \overline{INT}) to ground selects internal threshold mode (Figure 4a). In this mode, the low-line and reset thresholds are factory preset by an internal voltage divider (Figure 1) to the threshold voltages specified in the *Electrical Characteristics* (Reset Threshold Voltage and Low-Line Threshold Voltage). Connect the low-line output ($\overline{LOWLINE}$) to the μ P NMI pin, and connect the active-high reset output (RESET) or active-low reset output (\overline{RESET}) to the μ P reset input pin.

Additionally, the low-line input/reference-output pin (LLIN/REFOUT) connects to the internal 1.30V reference in internal threshold mode. Buffer LLIN/REFOUT with a high-impedance buffer to use it with external circuitry. In this mode, when V_{CC} is falling, $\overline{LOWLINE}$ is guaranteed to be asserted prior to reset assertion.

External Programming Mode

Connecting RESET IN/ \overline{INT} to a voltage above 600mV selects external programming mode. In this mode, the low-line and reset comparators disconnect from the internal voltage divider and connect to LLIN/REFOUT and RESET IN/ \overline{INT} , respectively (Figure 1). This mode allows flexibility in determining where in the operating voltage range the NMI and reset are generated. Set the low-line and reset thresholds with an external resistor divider, as in Figure 4b or Figure 4c. RESET typically remains valid for V_{CC} down to 2.5V; RESET is guaranteed to be valid with V_{CC} down to 1V.

Calculate the values for the resistor voltage divider in Figure 4b using the following equations:

- 1) $R3 = (1.30 \times V_{CC \text{ MAX}})/(V_{\text{LOW LINE}} \times I_{\text{MAX}})$
- 2) $R2 = [(1.30 \times V_{CC \text{ MAX}})/(V_{\text{RESET}} \times I_{\text{MAX}})] - R3$
- 3) $R1 = (V_{CC \text{ MAX}}/I_{\text{MAX}}) - (R2 + R3)$.

First choose the desired maximum current through the voltage divider (I_{MAX}) when V_{CC} is at its highest ($V_{CC \text{ MAX}}$). There are two things to consider here. First, I_{MAX} contributes to the overall supply current for the circuit, so you would generally make it as small as possible. Second, I_{MAX} cannot be too small or leakage currents will adversely affect the programmed threshold voltages; 5 μ A is often appropriate. Determine R3 after you have chosen I_{MAX} . Use the value for R3 to determine R2, then use both R2 and R3 to determine R1.

For example, to program a 4.75V low-line threshold and a 4.4V reset threshold, first choose I_{MAX} to be 5 μ A when $V_{CC} = 5.5$ V and substitute into equation 1.

$$R3 = (1.30 \times 5.5)/(4.75 \times 5\text{E-}6) = 301.05\text{k}\Omega.$$

301k Ω is the nearest standard 0.1% value. Substitute into equation 2:

$$R2 = [(1.30 \times 5.5)/(4.4 \times 5\text{E-}6)] - 301\text{k}\Omega = 23.95\text{k}\Omega.$$

The nearest 0.1% resistor value is 23.7k Ω . Finally, substitute into equation 3:

$$R1 = (5.5/5\text{E-}6) - (23.7\text{k}\Omega + 301\text{k}\Omega) = 775\text{k}\Omega.$$

The nearest 0.1% value resistor is 787k Ω . Determine the actual low-line threshold by rearranging equation 1 and plugging in the standard resistor values. The actual low-line threshold is 4.75V and the actual reset threshold is 4.40V. An additional resistor allows the MAX792/MAX820 to monitor the unregulated supply and provide an NMI before the regulated supply begins to fall (Figure 4c).

Both of these thresholds will vary from circuit to circuit with resistor tolerance, reference variation, and comparator offset variation. The initial thresholds for each circuit will also vary with temperature due to reference and offset drift. For highest accuracy, use the MAX820.

Microprocessor and Nonvolatile Memory Supervisory Circuits

MAX792/MAX820

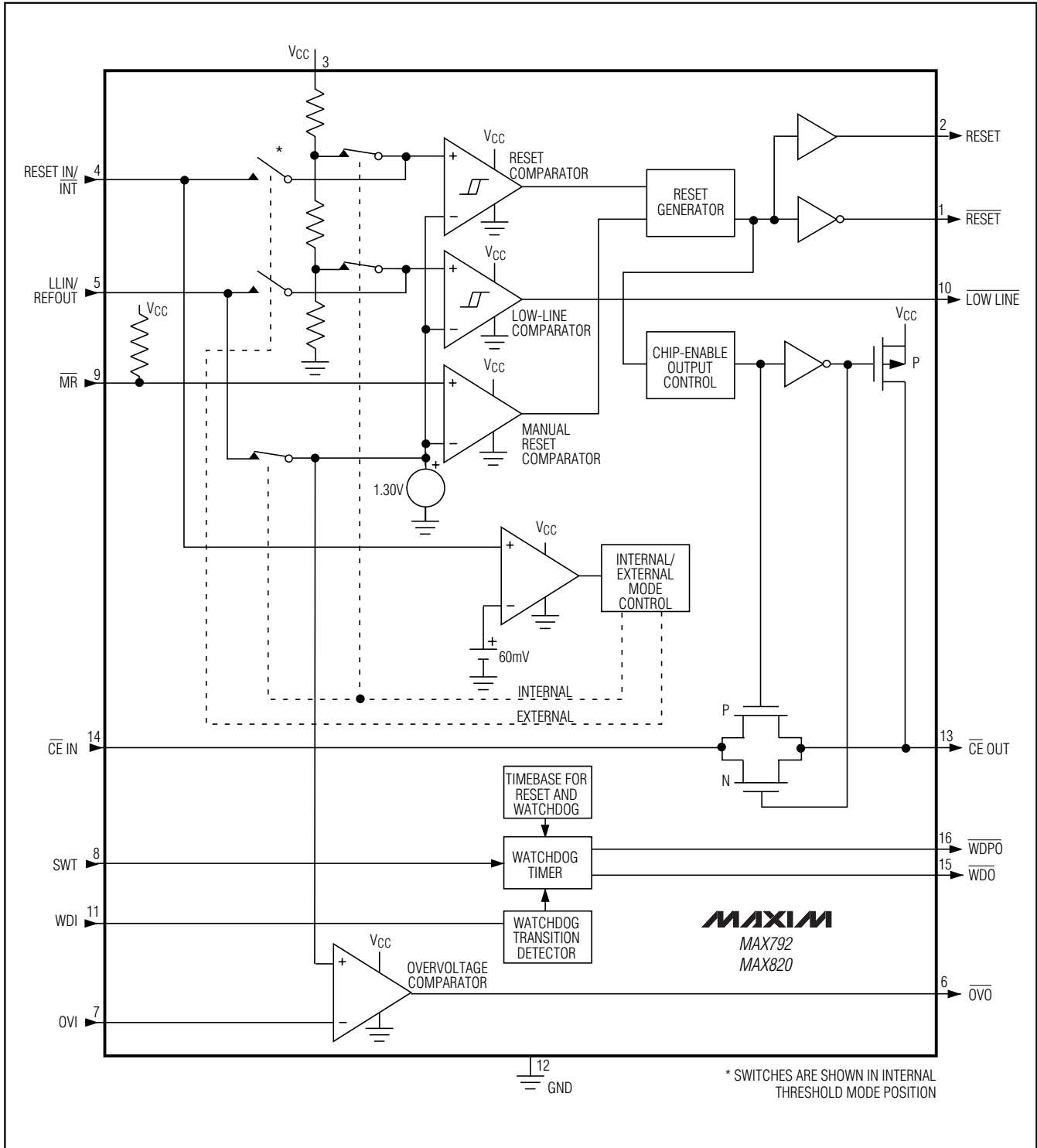


Figure 1. MAX792/MAX820 Block Diagram

Microprocessor and Nonvolatile Memory Supervisory Circuits

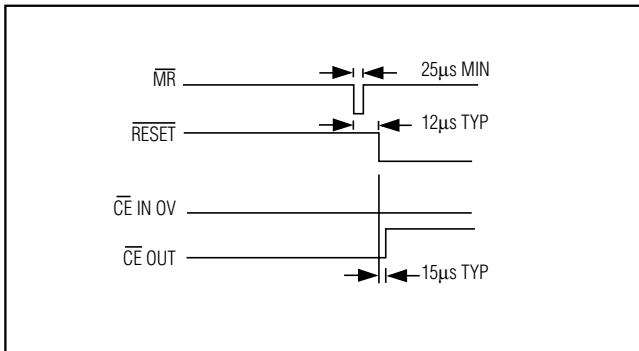


Figure 2. Manual-Reset Timing Diagram

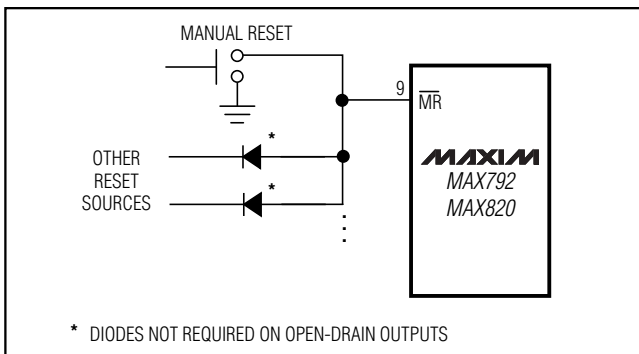


Figure 3. Diode "OR" connections allow multiple reset sources to connect to \overline{MR} .

Low-Line Output

In internal threshold mode, the low-line comparator monitors V_{CC} with a threshold voltage typically 120mV above the reset threshold, and with 15mV of hysteresis. For normal operation (V_{CC} above the reset threshold), $\overline{LOWLINE}$ is pulled to V_{CC} . Use $\overline{LOWLINE}$ to provide an NMI to the μP , as described in the previous section, when V_{CC} begins to fall (Figure 4).

Reset Function

The MAX792/MAX820 provide both \overline{RESET} and \overline{RESET} outputs. The \overline{RESET} and \overline{RESET} outputs ensure that the μP powers up in a known state, and prevent code-execution errors during power-up, power-down, or brownout conditions.

The reset function will be asserted during the following conditions:

- 1) V_{CC} less than the programmed reset threshold.
- 2) \overline{MR} less than 1.30V typ.
- 3) Reset remains asserted for 200ms typ after V_{CC} rises above the reset threshold or after \overline{MR} has exceeded 1.30V typ.

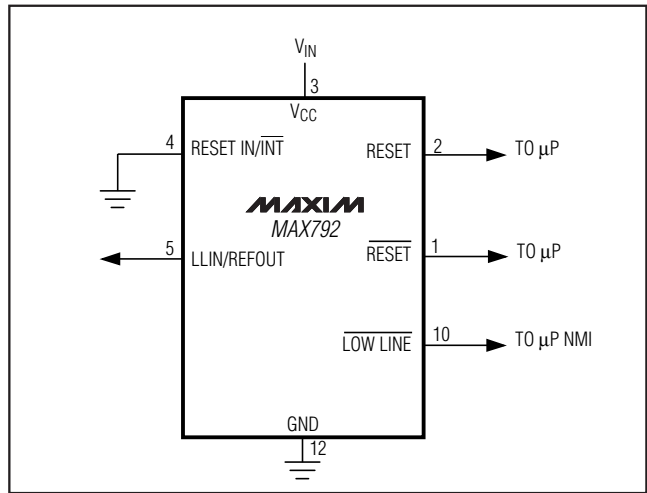


Figure 4a. Connection for Internal Threshold Mode

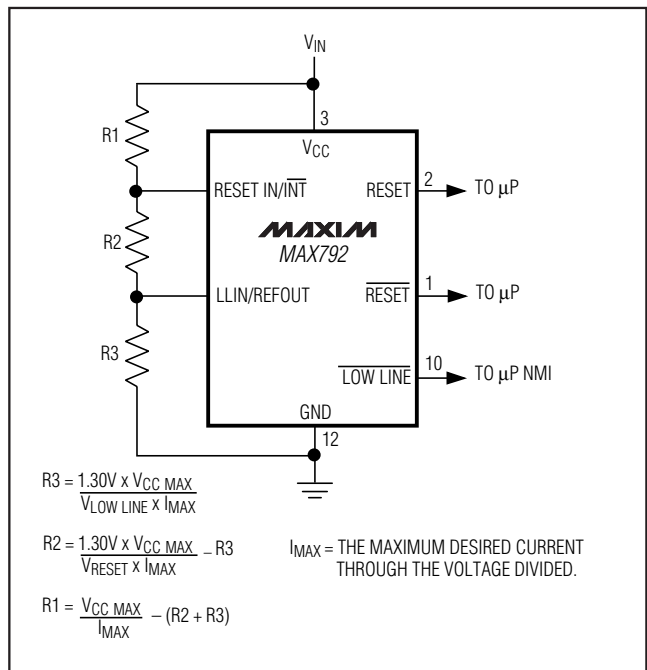


Figure 4b. Connection for External Threshold Programming Mode

When reset is asserted, all the internal counters are reset, the watchdog output (\overline{WDO}) and watchdog-pulse output (\overline{WDPO}) are set high, and the set watchdog-time-out input (SWT) is set to ($V_{CC} - 0.6V$) if it is not already connected to V_{CC} (for internal timeouts). The chip-enable transmission gate is also disabled while reset is asserted; the chip-enable input ($\overline{CE \text{ IN}}$) becomes high impedance and the chip-enable output ($\overline{CE \text{ OUT}}$) is pulled up to V_{CC} .

Microprocessor and Nonvolatile Memory Supervisory Circuits

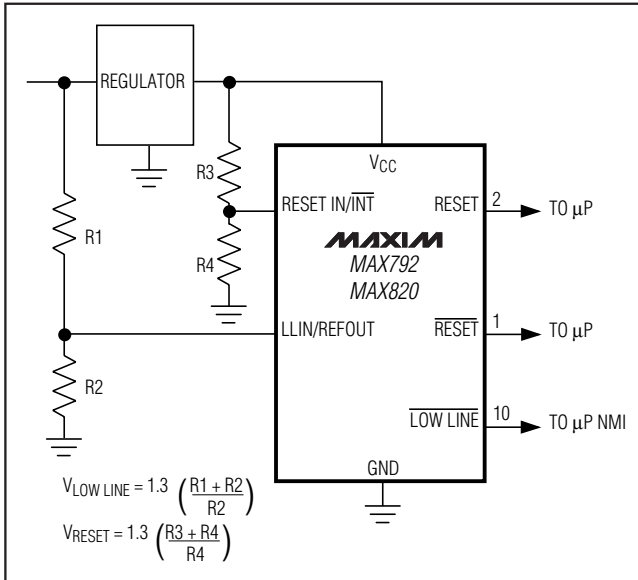


Figure 4c. Alternative Connection for External Programming Mode

Reset Outputs (RESET and RESET)

The $\overline{\text{RESET}}$ output is active low and typically sinks 1.6mA at 0.1V. When deasserted, $\overline{\text{RESET}}$ sources 1.6mA at typically $V_{\text{CC}} - 1.5\text{V}$. The RESET output is the inverse of $\overline{\text{RESET}}$. RESET is guaranteed to be valid down to $V_{\text{CC}} = 1\text{V}$, and an external 10k Ω pull-down resistor on $\overline{\text{RESET}}$ ensures that it will be valid with V_{CC} down to GND (Figure 5). As V_{CC} goes below 1V, the gate drive to the $\overline{\text{RESET}}$ output switch reduces accordingly, increasing the $r_{\text{DS(ON)}}$ and the saturation voltage. The 10k Ω pull-down resistor ensures that the parallel combination of switch plus resistor will be around 10k Ω and the saturation voltage will be below 0.4V while sinking 40 μA . When using an external pull-down resistor of 10k Ω , the high state for the $\overline{\text{RESET}}$ output with $V_{\text{CC}} = 4.75\text{V}$ is typically 4.60V.

Overvoltage Comparator

The overvoltage comparator is an uncommitted comparator that has no effect on the operation of other chip functions. Use this input to provide overvoltage indication by connecting a voltage divider from the input supply, as in Figure 6.

Connect OVI to ground if the overvoltage function is not used. $\overline{\text{OVO}}$ goes low when OVI goes above 1.30V. With OVI below 1.30V, $\overline{\text{OVO}}$ is actively pulled to V_{CC} and can source 1 μA .

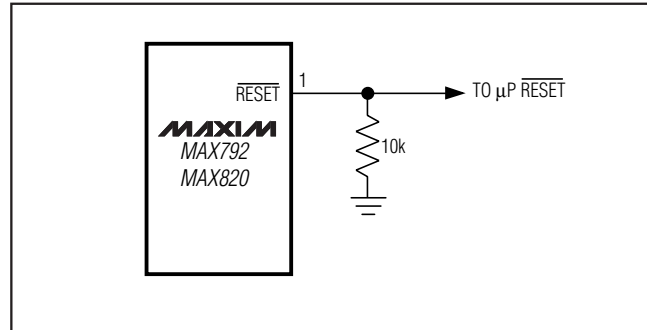


Figure 5. Adding an external pull-down resistor ensures $\overline{\text{RESET}}$ is valid with V_{CC} down to GND.

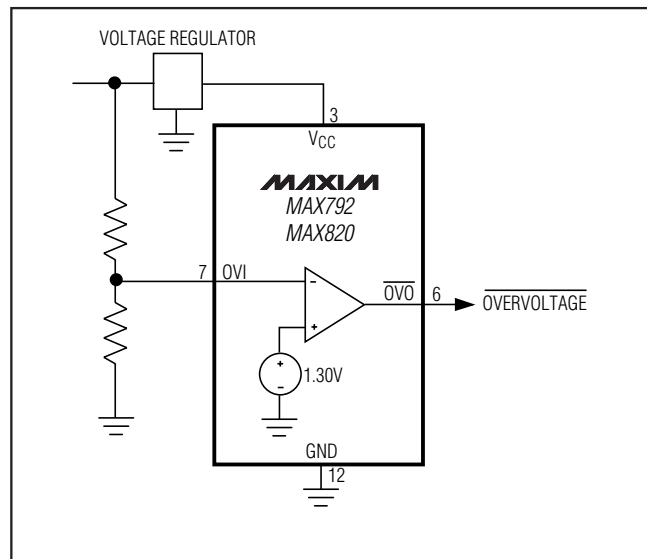


Figure 6. Detecting an Overvoltage Condition

Watchdog Function

The watchdog monitors μP activity via the watchdog input (WDI). If the μP becomes inactive, $\overline{\text{WDO}}$ and $\overline{\text{WDPO}}$ are asserted. To use the watchdog function, connect WDI to a μP bus line or I/O line. If WDI remains high or low for longer than the watchdog timeout period (1.6s nominal), $\overline{\text{WDPO}}$ and $\overline{\text{WDO}}$ are asserted, indicating a software fault condition (see *Watchdog-Pulse Output* and *Watchdog Output* sections).

Watchdog Input

If the watchdog function is unused, connect WDI to V_{CC} or GND. A change of state (high-to-low, low-to-high, or a minimum 100ns pulse) at WDI during the watchdog period resets the watchdog timer. The watchdog timer

Microprocessor and Nonvolatile Memory Supervisory Circuits

Chip-Enable Signal Gating

The MAX792/MAX820 provide internal gating of chip-enable (CE) signals, which prevents erroneous data from corrupting CMOS RAM in the event of an under-voltage condition. The MAX792/MAX820 use a series transmission gate from $\overline{\text{CE}} \text{ IN}$ to $\overline{\text{CE}} \text{ OUT}$ (Figure 1).

During normal operation (reset not asserted), the CE transmission gate is enabled and passes all CE transitions. When reset is asserted, this path becomes disabled, preventing erroneous data from corrupting the CMOS RAM. The 10ns max CE propagation delay from $\overline{\text{CE}} \text{ IN}$ to $\overline{\text{CE}} \text{ OUT}$ enables the MAX792/MAX820 to be used with most μPs . If $\overline{\text{CE}} \text{ IN}$ is low when reset asserts, $\overline{\text{CE}} \text{ OUT}$ remains low for a short period to permit completion of the current write cycle.

Chip-Enable Input

The CE transmission gate is disabled and $\overline{\text{CE}} \text{ IN}$ is high impedance (disabled mode) while reset is asserted.

During a power-down sequence when V_{CC} passes the reset threshold, the CE transmission gate disables and $\overline{\text{CE}} \text{ IN}$ immediately becomes high impedance if the voltage at $\overline{\text{CE}} \text{ IN}$ is high. If $\overline{\text{CE}} \text{ IN}$ is low when reset is asserted, the CE transmission gate will disable at the moment $\overline{\text{CE}} \text{ IN}$ goes high or 15 μs after reset is asserted, whichever occurs first (Figure 9). This permits the current write cycle to complete during power-down.

During a power-up sequence, the CE transmission gate remains disabled and $\overline{\text{CE}} \text{ IN}$ remains high impedance regardless of $\overline{\text{CE}} \text{ IN}$ activity, until reset is deasserted following the reset timeout period.

While disabled, $\overline{\text{CE}} \text{ IN}$ is high impedance. When the CE transmission gate is enabled, the impedance of $\overline{\text{CE}} \text{ IN}$ will appear as a 75 Ω ($V_{\text{CC}} = 5\text{V}$) resistor in series with the load at $\overline{\text{CE}} \text{ OUT}$.

The propagation delay through the CE transmission gate depends on V_{CC} , the source impedance of the drive connected to $\overline{\text{CE}} \text{ IN}$, and the loading on $\overline{\text{CE}} \text{ OUT}$ (see the Chip-Enable Propagation Delay vs. $\overline{\text{CE}} \text{ OUT}$ Load Capacitance graph in the *Typical Operating Characteristics*). The CE propagation delay is production tested from the 50% point on $\overline{\text{CE}} \text{ IN}$ to the 50% point on $\overline{\text{CE}} \text{ OUT}$ using a 50 Ω driver and 50pF of load capacitance (Figure 10). For minimum propagation delay, minimize the capacitive load at $\overline{\text{CE}} \text{ OUT}$, and use a low-output-impedance driver.

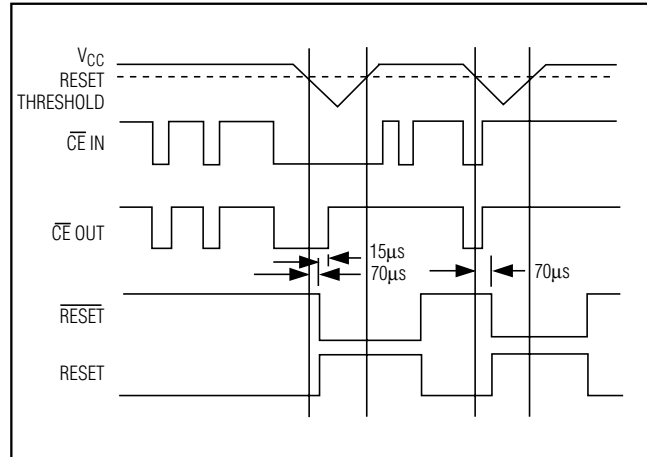


Figure 9. Reset and Chip-Enable Timing

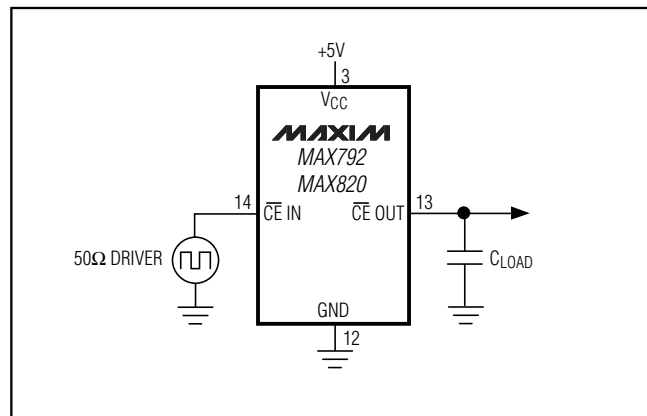


Figure 10. CE Propagation Delay Test Circuit

Chip-Enable Output

When the CE transmission gate is enabled, the impedance of $\overline{\text{CE}} \text{ OUT}$ is equivalent to 75 Ω in series with the source driving $\overline{\text{CE}} \text{ IN}$. In the disabled mode, the 75 Ω transmission gate is off and an active pull-up connects from $\overline{\text{CE}} \text{ OUT}$ to V_{CC} . This source turns off when the transmission gate is enabled.

Applications Information

Connect a 0.1 μF ceramic capacitor from V_{CC} to GND, as close to the device pins as possible. This reduces the probability of resets due to high-frequency power-supply transients. In a high-noise environment, additional bypass capacitance from V_{CC} to ground may be required. If long leads connect to the chip inputs, ensure that these lines are free from ringing, etc., which would forward bias the chip's protection diodes.

Microprocessor and Nonvolatile Memory Supervisory Circuits

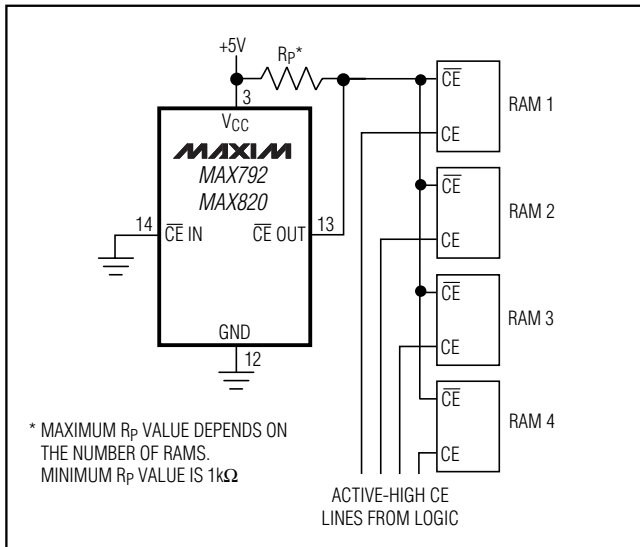


Figure 11. Alternate CE Gating

Alternative Chip-Enable Gating

Using memory devices with both CE and \overline{CE} inputs allows the MAX792/MAX820 CE propagation delay to be bypassed. To do this, connect \overline{CE} IN to ground, pull up \overline{CE} OUT to V_{CC} , and connect \overline{CE} OUT to the \overline{CE} input of each memory device (Figure 11). The CE input of each memory device then connects directly to the chip-select logic, which does not have to be gated by the MAX792/MAX820.

Interfacing to μ Ps with Bidirectional Reset Inputs

μ Ps with bidirectional reset pins, such as the Motorola 68HC11 series, can contend with the MAX792/MAX820 \overline{RESET} output. If, for example, the MAX792/MAX820 \overline{RESET} output is asserted high and the μ P wants to pull it low, indeterminate logic levels may result. To avoid this, connect a 4.7k Ω resistor between the MAX792/MAX820 \overline{RESET} output and the μ P reset I/O, as in Figure 12. Buffer the MAX792/MAX820 \overline{RESET} output to other system components.

Negative-Going V_{CC} Transients

While issuing resets to the μ P during power-up, power-down, and brownout conditions, these supervisors are relatively immune to short-duration negative-going V_{CC} transients (glitches). It is usually undesirable to reset the μ P when V_{CC} experiences only small glitches.

Figure 13 shows maximum transient duration vs. reset-comparator overdrive, for which reset pulses are **not** generated. The graph was produced using negative-

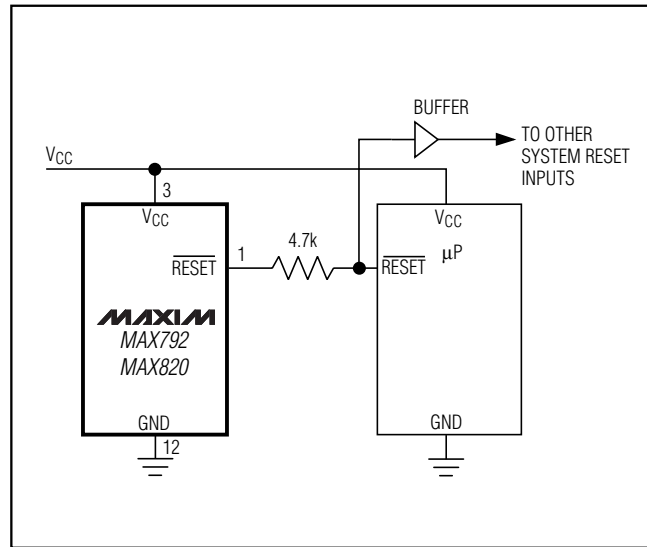


Figure 12. Interfacing to μ Ps with Bidirectional \overline{RESET} Pins

going V_{CC} pulses, starting at 5V and ending below the reset threshold by the magnitude indicated (reset-comparator overdrive). The graph shows the maximum pulse width a negative-going V_{CC} transient may typically have without causing a reset pulse to be issued. As the amplitude of the transient increases (i.e., goes farther below the reset threshold), the maximum allowable pulse width decreases. Typically, a V_{CC} transient that goes 100mV below the reset threshold and lasts for 30 μ s or less will not cause a reset pulse to be issued.

A 100nF bypass capacitor mounted close to the V_{CC} pin provides additional transient immunity.

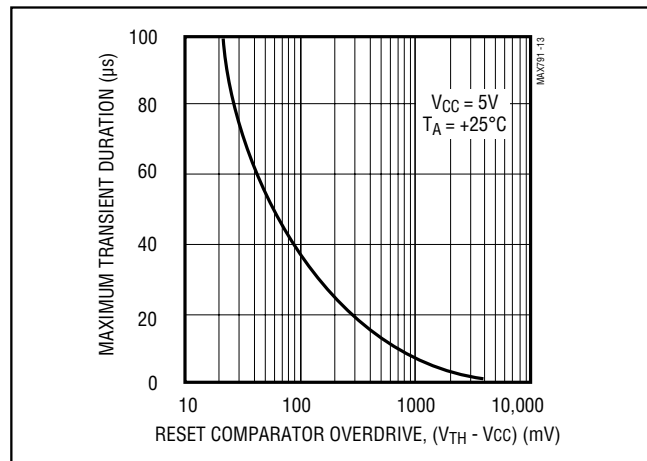


Figure 13. Maximum Transient Duration Without Causing a Reset Pulse vs. Reset-Comparator Overdrive

Microprocessor and Nonvolatile Memory Supervisory Circuits

MAX792/MAX820

Ordering Information (continued)

PART**	TEMP. RANGE	PIN-PACKAGE
MAX792_EPE	-40°C to +85°C	16 Plastic DIP
MAX792_ESE	-40°C to +85°C	16 Narrow SO
MAX792_EJE	-40°C to +85°C	16 CERDIP
MAX792_MJE	-55°C to +125°C	16 CERDIP
MAX820_CPE	-0°C to +70°C	16 Plastic DIP
MAX820_CSE	-0°C to +70°C	16 Narrow SO
MAX820_EPE	-40°C to +85°C	16 Plastic DIP
MAX820_ESE	-40°C to +85°C	16 Narrow SO
MAX820_EJE	-40°C to +85°C	16 CERDIP
MAX820_MJE	-55°C to +125°C	16 CERDIP

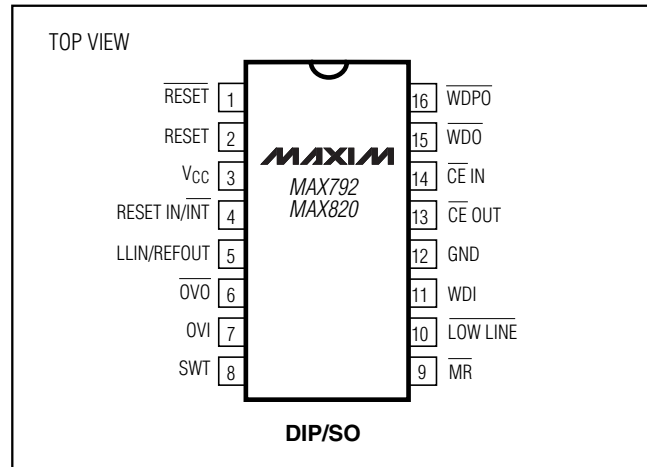
* Dice are tested at $T_A = +25^\circ\text{C}$, DC parameters only.

** These parts offer a choice of five different reset threshold voltages. Select the letter corresponding to the desired nominal reset threshold voltage and insert it into the blank to complete the part number.

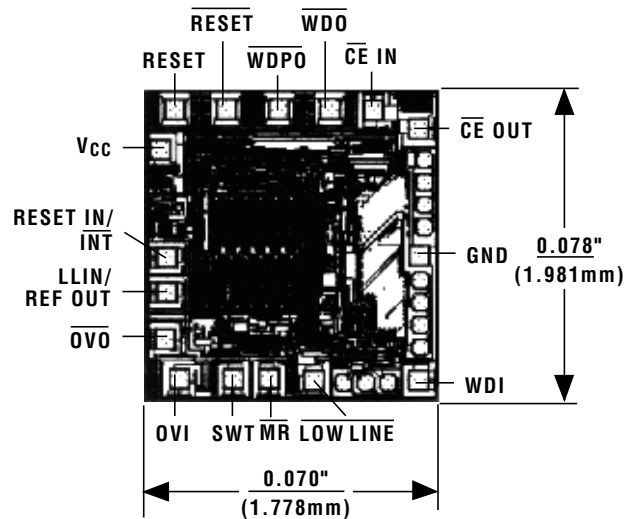
Devices in PDIP, SO and μMAX packages are available in both leaded and lead-free packaging. Specify lead free by adding the + symbol at the end of the part number when ordering. Lead free not available for CERDIP package.

SUFFIX	RESET THRESHOLD (V)
L	4.62
M	4.37
T	3.06
S	2.91
R	2.61

Pin Configuration



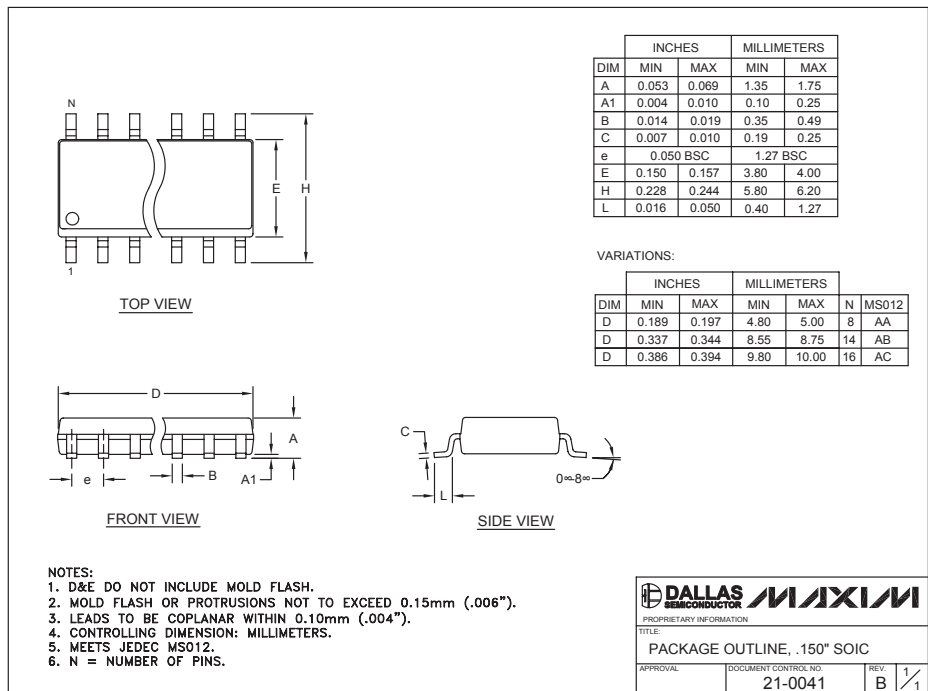
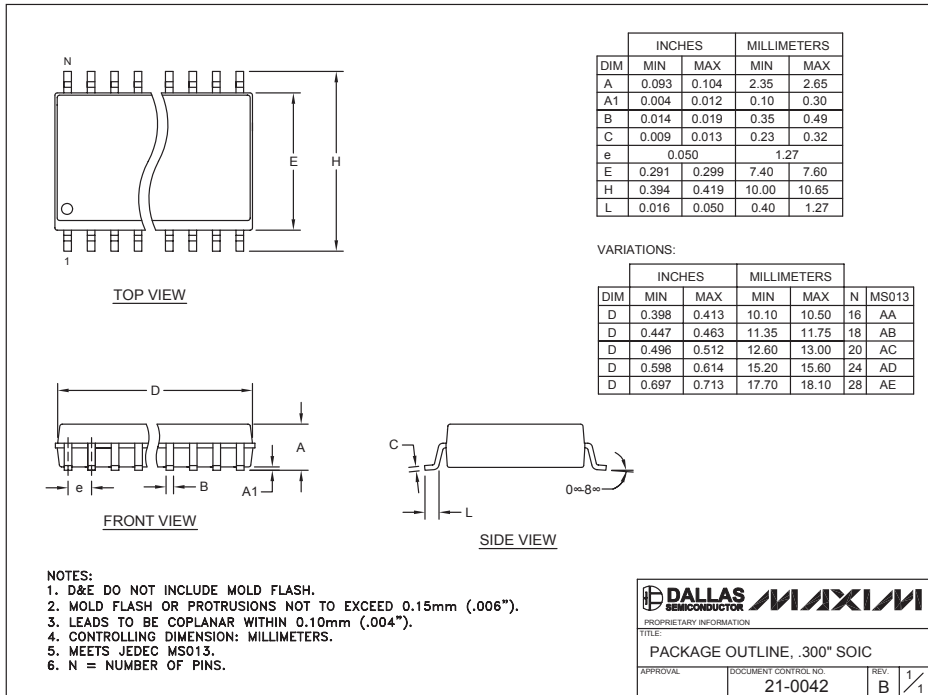
Chip Topography



TRANSISTOR COUNT: 950
SUBSTRATE CONNECTED TO V_{CC}

Microprocessor and Nonvolatile Memory Supervisory Circuits

Package Information



Maxim cannot assume responsibility for use of any circuitry other than circuitry entirely embodied in a Maxim product. No circuit patent licenses are implied. Maxim reserves the right to change the circuitry and specifications without notice at any time.

16 **Maxim Integrated Products, 120 San Gabriel Drive, Sunnyvale, CA 94086 408-737-7600**

Looking for pricing, stock, or lifecycle information?

Click below to explore more details on WIN SOURCE:

- ⊖ [View MAX792MCSE+ on WIN SOURCE](#)
- ⊖ [Maxim Integrated Information](#)

Optimize Your Supply Chain with WIN SOURCE Solutions

- ✓ Global Sourcing Solution
- ✓ Obsolete Management
- ✓ Cost Control Management
- ✓ Shortage Management
- ✓ Alternative Solution
- ✓ Excess Inventory Management