



**THE DATASHEET OF
MAX6834HXRD3+T**



Ultra-Low-Voltage SC70 Voltage Detectors and μ P Reset Circuits

General Description

The MAX6832–MAX6840 are microprocessor (μ P) supervisory circuits used to monitor low-voltage power supplies in μ P and digital systems. They provide excellent circuit reliability and low cost by eliminating external components and adjustments when used with +1.2V to +1.8V powered circuits.

These devices assert a reset signal whenever the V_{CC} supply voltage declines below a preset threshold or whenever manual reset (\overline{MR}) is asserted. Reset remains asserted for a fixed timeout delay after V_{CC} has risen above the reset threshold or when manual reset is deasserted. Five different timeout periods are available: 70 μ s (voltage detector), 1.5ms, 30ms, 210ms, and 1.68s. Reset thresholds suitable for operation with a variety of supply voltages are available.

The MAX6832/MAX6835/MAX6838 have a push-pull active-low reset output (\overline{RESET}). The MAX6833/MAX6836/MAX6839 have a push-pull active-high reset output (RESET) and the MAX6834/MAX6837/MAX6840 have an open-drain active-low reset output (\overline{RESET}). The open-drain active-low reset output requires a pullup resistor that can be connected to a voltage higher than V_{CC} .

The MAX6835/MAX6836/MAX6837 feature a debounced manual reset input (\overline{MR}), while the MAX6838/MAX6839/MAX6840 provide a RESET-IN input allowing the user to externally adjust the reset threshold. The reset comparator is designed to ignore fast transients on V_{CC} .

Low supply current of 7.5 μ A makes the MAX6832–MAX6840 ideal for use in portable equipment. These devices are available in 3- and 4-pin SC70 packages.

Applications

Computers
 Controllers
 Intelligent Instruments
 Critical μ P and μ C Power Monitoring
 Portable/Battery-Powered Equipment

Pin Configurations, Typical Operating Circuit, and Selector Guide appear at end of data sheet.

Visit www.maximintegrated.com/products/patents for product patent marking information.

Features

- ◆ **Factory-Set Reset Threshold Voltages for Nominal Supplies from 1.2V to 1.8V**
- ◆ **Low Power Consumption: 7.5 μ A (typ)**
- ◆ **Space-Saving 3- and 4-Pin SC70 Packages**
- ◆ **\pm 2.5% Reset Threshold Accuracy Over Temperature**
- ◆ **Five Different Timeout Periods Available: 70 μ s (voltage detector), 1.5ms, 30ms, 210ms, and 1.68s**
- ◆ **Three Reset Output Configurations**
 Push-Pull \overline{RESET}
 Push-Pull RESET
 Open-Drain \overline{RESET}
- ◆ **Guaranteed Reset Valid to V_{CC} =**
 0.55V—Active-Low
 0.75V—Active-High
- ◆ **Adjustable Threshold Reset-In Option**
- ◆ **Manual Reset Input Option**
- ◆ **Immune to Short Negative V_{CC} Transients**
- ◆ **Pin Compatible with MAX803/MAX809/MAX810, MAX6711/MAX6712/MAX6713, and MAX6381–MAX6390 Series**

Ordering Information

| PART | TEMP RANGE | PIN-PACKAGE |
|----------------|----------------|-------------|
| MAX6832_XRD_-T | -40°C to +85°C | 3 SC70-3 |
| MAX6833_XRD_-T | -40°C to +85°C | 3 SC70-3 |
| MAX6834_XRD_-T | -40°C to +85°C | 3 SC70-3 |
| MAX6835_XSD_-T | -40°C to +85°C | 4 SC70-4 |
| MAX6836_XSD_-T | -40°C to +85°C | 4 SC70-4 |
| MAX6837_XSD_-T | -40°C to +85°C | 4 SC70-4 |
| MAX6838_XSD_-T | -40°C to +85°C | 4 SC70-4 |
| MAX6839_XSD_-T | -40°C to +85°C | 4 SC70-4 |
| MAX6840_XSD_-T | -40°C to +85°C | 4 SC70-4 |

Insert the desired suffix letter from the Threshold Suffix Guide (MAX6832–MAX6837) and the Active Timeout Period Guide tables into the blanks to complete the part number. Sample stock is generally available on standard versions only (see Standard Versions table). Standard versions require a minimum order increment of 2.5k units. Nonstandard versions must be ordered in 10k unit increments. Contact factory for availability. All parts are offered in tape-and-reel only.

Devices are available in both leaded and lead-free packaging. Specify lead-free by replacing “-T” with “+T” when ordering.

For pricing, delivery, and ordering information, please contact Maxim Direct at 1-888-629-4642, or visit Maxim’s website at www.maximintegrated.com.

MAX6832-MAX6840

Ultra-Low-Voltage SC70 Voltage Detectors and μP Reset Circuits

ABSOLUTE MAXIMUM RATINGS

Terminal Voltage (with respect to GND)

| | |
|---|------------------------------|
| V_{CC} | -0.3V to +6.0V |
| Open-Drain \overline{RESET} , \overline{MR} | -0.3V to +6.0V |
| \overline{RESET} -IN, Push-Pull \overline{RESET} and \overline{RESET} | -0.3V to ($V_{CC} + 0.3V$) |
| Input/Output Current (all pins) | 20mA |

Continuous Power Dissipation ($T_A = +70^\circ C$)

| | |
|--|---------------------------------|
| 3-Pin SC70 (derate 2.9mW/ $^\circ C$ above $+70^\circ C$) | 235mW |
| 4-Pin SC70 (derate 3.1mW/ $^\circ C$ above $+70^\circ C$) | 245mW |
| Operating Temperature Range | $-40^\circ C$ to $+85^\circ C$ |
| Junction Temperature | $+150^\circ C$ |
| Storage Temperature Range | $-65^\circ C$ to $+150^\circ C$ |
| Lead Temperature (soldering, 10s) | $+300^\circ C$ |

Stresses beyond those listed under "Absolute Maximum Ratings" may cause permanent damage to the device. These are stress ratings only, and functional operation of the device at these or any other conditions beyond those indicated in the operational sections of the specifications is not implied. Exposure to absolute maximum rating conditions for extended periods may affect device reliability.

ELECTRICAL CHARACTERISTICS

($V_{CC} = +0.55V$ to $+3.6V$, $T_A = T_{MIN}$ to T_{MAX} , unless otherwise noted. Typical values are at $T_A = +25^\circ C$.) (Note 1)

| PARAMETER | SYMBOL | CONDITIONS | MIN | TYP | MAX | UNITS |
|-------------------------------------|-------------|--|-------|-------|-------|------------|
| Supply Voltage Range | V_{CC} | $T_A = -40^\circ C$ to $+85^\circ C$ MAX6832/MAX6835/MAX6838 MAX6834/MAX6837/MAX6840 | 0.55 | | 3.6 | V |
| | | $T_A = -40^\circ C$ to $+85^\circ C$ MAX6833/MAX6836/MAX6839 | 0.85 | | 3.6 | |
| | | $T_A = 0^\circ C$ to $+85^\circ C$ MAX6833/MAX6836/MAX6839 | 0.75 | | 3.6 | |
| Supply Current | I_{CC} | $V_{CC} = 1.2V$, no load, reset not asserted | | 7.5 | 13 | μA |
| | | $V_{CC} = 1.8V$, no load, reset not asserted | | 9 | 16 | |
| | | $V_{CC} = 3.6V$, no load, reset not asserted | | 16 | 25 | |
| Reset Threshold | V_{TH} | W | 1.620 | 1.665 | 1.710 | V |
| | | V | 1.530 | 1.575 | 1.620 | |
| | | I | 1.350 | 1.388 | 1.425 | |
| | | H | 1.275 | 1.313 | 1.350 | |
| | | G | 1.080 | 1.110 | 1.140 | |
| | | F (Note 2) | 1.020 | 1.050 | 1.080 | |
| RESET-IN Threshold | V_{RSTIN} | $1.1V \leq V_{CC} \leq 3.3V$, $0^\circ C$ to $+85^\circ C$ | -2.5% | 444 | +2.5% | mV |
| | | $1.1V \leq V_{CC} \leq 3.3V$, $-40^\circ C$ to $+85^\circ C$ | -3.0% | 444 | +3.0% | |
| RESET-IN Leakage Current | I_{RSTIN} | | -25 | | +25 | nA |
| Reset Threshold Hysteresis | V_{HYS} | | | 0.75 | | % V_{TH} |
| V_{CC} or RESET-IN to Reset Delay | | V_{CC} falling, step signal from ($V_{TH} + 100mV$) to ($V_{TH} - 100mV$) | | 60 | | μs |
| Reset Active Timeout Period | t_{RP} | D0 | | 0.07 | | ms |
| | | D1 | 1 | 1.5 | 2 | |
| | | D2 | 20 | 30 | 40 | |
| | | D3 | 140 | 210 | 280 | |
| | | D4 | 1120 | 1680 | 2240 | |

MAX6832-MAX6840

Ultra-Low-Voltage SC70 Voltage Detectors and μ P Reset Circuits

ELECTRICAL CHARACTERISTICS (continued)

($V_{CC} = +0.55V$ to $+3.6V$, $T_A = T_{MIN}$ to T_{MAX} , unless otherwise noted. Typical values are at $T_A = +25^\circ C$.) (Note 1)

| PARAMETER | SYMBOL | CONDITIONS | MIN | TYP | MAX | UNITS |
|--|-----------|--|----------------|----------------|----------------|-----------|
| Propagation Delay (D0 only) | t_P | V_{CC} rising, step signal from ($V_{TH} - 100mV$) to ($V_{TH} + 100mV$) | | 70 | | μs |
| Startup Time (D0 only) | | V_{CC} rising from 0 to 1.1V ($t_{R} < 1\mu s$) | | 150 | | μs |
| \overline{MR} Input Voltage | V_{IL} | | | 0.3 x V_{CC} | | V |
| | V_{IH} | | 0.7 x V_{CC} | | | |
| \overline{MR} Minimum Input Pulse Width | | \overline{MR} driven from V_{CC} to 0 | 2 | | | μs |
| \overline{MR} Glitch Rejection | | \overline{MR} driven from V_{CC} to 0 | 100 | | | ns |
| \overline{MR} to Reset Delay | | \overline{MR} driven from V_{CC} to 0 | 500 | | | ns |
| \overline{MR} Pullup Resistance To V_{CC} | | | 14 | 20 | 26 | $k\Omega$ |
| Open-Drain \overline{RESET} Output Voltage | V_{OL} | $V_{CC} \geq 0.55V$, $I_{SINK} = 15\mu A$, reset asserted | | | 0.15 | V |
| | | $V_{CC} \geq 1.0V$, $I_{SINK} = 80\mu A$, reset asserted | | | 0.15 | |
| | | $V_{CC} \geq 1.5V$, $I_{SINK} = 200\mu A$, reset asserted | | | 0.2 | |
| Open-Drain \overline{RESET} Output Leakage Current | I_{LKG} | $V_{CC} > V_{TH}$, reset not asserted | | | 1.0 | μA |
| Push-Pull \overline{RESET} Output Voltage | V_{OL} | $V_{CC} \geq 0.55V$, $I_{SINK} = 15\mu A$, reset asserted | | | 0.2 x V_{CC} | V |
| | | $V_{CC} \geq 1.0V$, $I_{SINK} = 80\mu A$, reset asserted | | | 0.2 x V_{CC} | |
| | | $V_{CC} \geq 1.5V$, $I_{SINK} = 200\mu A$, reset asserted | | | 0.2 x V_{CC} | |
| | V_{OH} | $V_{CC} \geq 1.1V$, $I_{SOURCE} = 50\mu A$, reset not asserted | 0.8 x V_{CC} | | | |
| | | $V_{CC} \geq 1.5V$, $I_{SOURCE} = 150\mu A$, reset asserted | 0.8 x V_{CC} | | | |
| Push-Pull \overline{RESET} Output Voltage | V_{OH} | $V_{CC} \geq 0.75V$, $I_{SOURCE} = 10\mu A$, reset asserted (Note 2) | 0.8 x V_{CC} | | V | |
| | | $V_{CC} \geq 0.85V$, $I_{SOURCE} = 10\mu A$, reset asserted | 0.8 x V_{CC} | | | |
| | | $V_{CC} \geq 1.0V$, $I_{SOURCE} = 50\mu A$, reset asserted | 0.8 x V_{CC} | | | |
| | | $V_{CC} \geq 1.5V$, $I_{SOURCE} = 150\mu A$, reset asserted | 0.8 x V_{CC} | | | |
| | V_{OL} | $V_{CC} \geq 1.1V$, $I_{SINK} = 80\mu A$, reset not asserted | 0.2 x V_{CC} | | | |
| | | $V_{CC} \geq 1.5V$, $I_{SINK} = 200\mu A$, reset not asserted | 0.2 x V_{CC} | | | |

Note 1: 100% production tested at $+25^\circ C$. Over temperature limits are guaranteed by design.

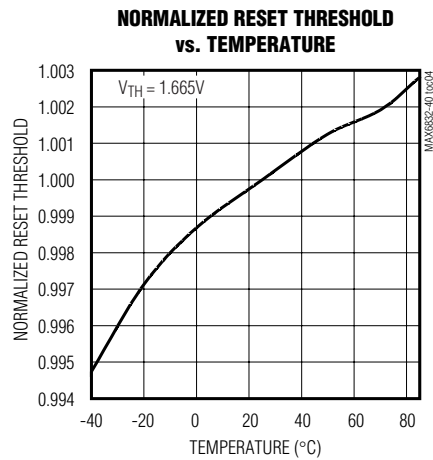
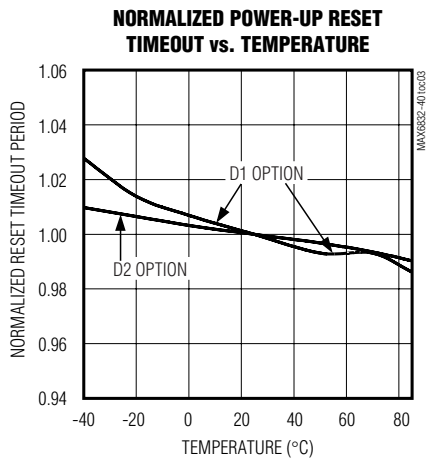
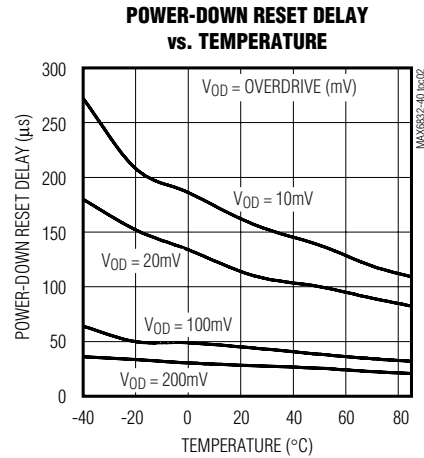
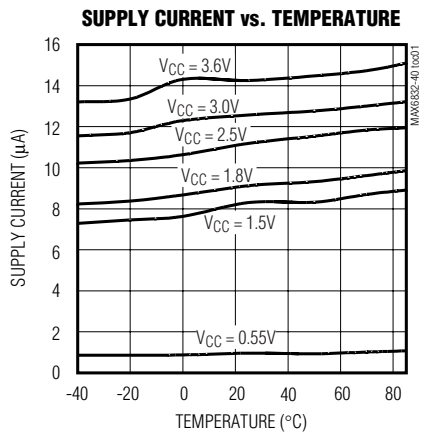
Note 2: Temperature range is from $0^\circ C$ to $+85^\circ C$.

MAX6832-MAX6840

Ultra-Low-Voltage SC70 Voltage Detectors and μP Reset Circuits

Typical Operating Characteristics

(V_{CC} = full range and T_A = -40°C to $+85^{\circ}\text{C}$, unless otherwise noted. Typical values are at T_A = $+25^{\circ}\text{C}$).



MAX6832–MAX6840

Ultra-Low-Voltage SC70 Voltage Detectors and μ P Reset Circuits

Pin Description—MAX6832–MAX6837

| PIN | | | | NAME | FUNCTION |
|-------------------|-------------------------------|-------------------|-------------------------------|---------------------------|---|
| MAX6833 SC70-3 | MAX6832/ MAX6834 SC70-3 | MAX6836 SC70-4 | MAX6835/ MAX6837 SC70-4 | | |
| 1 | 1 | 1 | 1 | GND | Ground |
| — | 2 | — | 2 | $\overline{\text{RESET}}$ | Reset Output, Open-Drain or Push-Pull, Active-Low. $\overline{\text{RESET}}$ changes from HIGH to LOW when V_{CC} drops below the selected reset threshold or $\overline{\text{MR}}$ is pulled low. $\overline{\text{RESET}}$ remains LOW for the reset timeout period after V_{CC} exceeds the device reset threshold and $\overline{\text{MR}}$ is released high. |
| 2 | — | 2 | — | RESET | Reset Output, Push-Pull, Active-High. RESET changes from LOW to HIGH when the V_{CC} input drops below the selected reset threshold or $\overline{\text{MR}}$ is pulled low. RESET remains HIGH for the reset timeout period after V_{CC} exceeds the device reset threshold and $\overline{\text{MR}}$ is released high. |
| — | — | 3 | 3 | $\overline{\text{MR}}$ | Active-Low Manual Reset Input. Internal 20k Ω pullup to V_{CC} . Pull LOW to force a reset. Reset remains active as long as $\overline{\text{MR}}$ is LOW and for the reset timeout period after $\overline{\text{MR}}$ goes HIGH. Leave unconnected or connect to V_{CC} if unused. |
| 3 | 3 | 4 | 4 | V_{CC} | Supply Voltage and Monitored Supply |

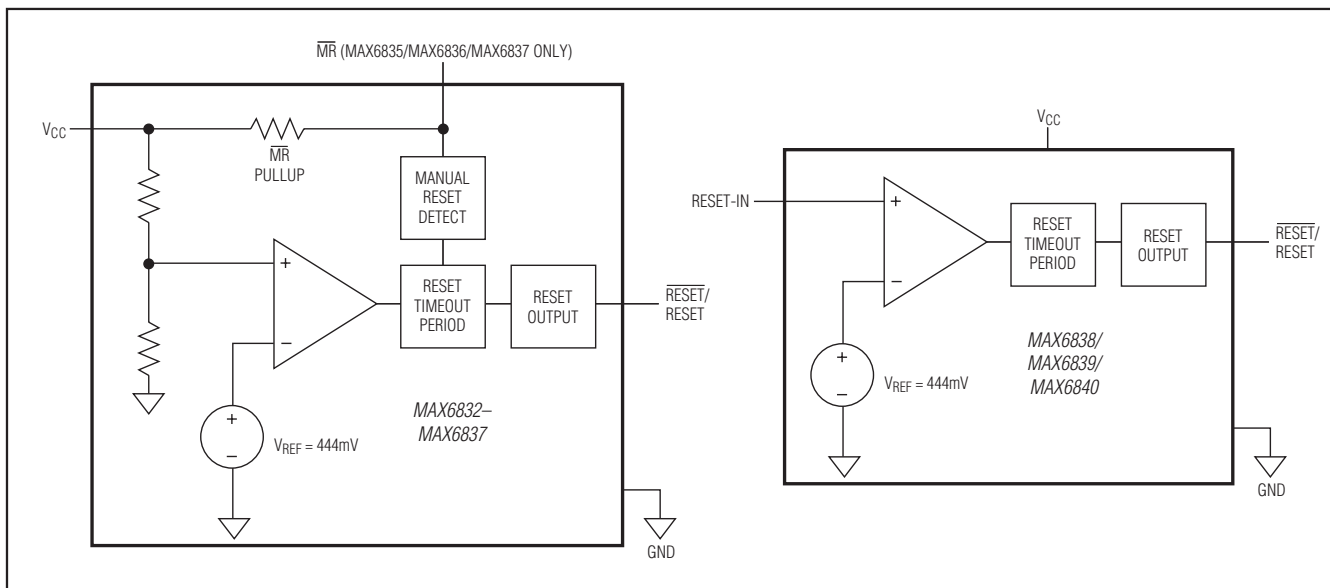
Pin Description—MAX6838/MAX6839/MAX6840

| PIN | | NAME | FUNCTION |
|-------------------|-------------------------------|---------------------------|---|
| MAX6839 SC70-4 | MAX6838/ MAX6840 SC70-4 | | |
| 1 | 1 | RESET-IN | Adjustable Reset Threshold Input. High-impedance input for reset comparator. Connect this pin to an external resistive-divider network to set the reset threshold voltage; the typical threshold is 444mV. Reset is asserted when RESET-IN is below the threshold (V_{CC} is not monitored). |
| 2 | 2 | V_{CC} | Supply Voltage (1.1V to 3.3V) |
| 3 | 3 | GND | Ground |
| 4 | — | RESET | Reset Output, Push-Pull, Active-High. RESET changes from LOW to HIGH when the RESET-IN input drops below the typical reset threshold (444mV). RESET remains HIGH for the reset timeout period after RESET-IN exceeds the reset threshold. |
| — | 4 | $\overline{\text{RESET}}$ | Reset Output, Open-Drain or Push-Pull, Active-Low. $\overline{\text{RESET}}$ changes from HIGH to LOW when RESET-IN drops below the typical reset threshold (444mV). $\overline{\text{RESET}}$ remains LOW for the reset timeout period after RESET-IN exceeds the reset threshold. |

MAX6832–MAX6840

Ultra-Low-Voltage SC70 Voltage Detectors and μP Reset Circuits

Functional Diagrams



Detailed Description

Reset Output

A microprocessor's (μP 's) reset input starts the μP in a known state. The MAX6832–MAX6840 assert a reset to prevent code-execution errors during power-up, power-down, or brownout conditions. They also assert a reset signal whenever the V_{CC} supply voltage falls below a preset threshold (MAX6832–MAX6837) or RESET-IN falls below the adjustable threshold (MAX6838/MAX6839/MAX6840), keeping reset asserted for a fixed timeout delay (Table 2) after V_{CC} or RESET-IN has risen above the reset threshold. The MAX6832/MAX6835/MAX6838 use a push-pull active-low output, the MAX6833/MAX6836/MAX6839 have a push-pull active-high output, and the MAX6834/MAX6837/MAX6840 have an open-drain active-low output stage. Connect a pullup resistor on the MAX6834/MAX6837/MAX6840's $\overline{\text{RESET}}$ output to any supply between 0 and 6V.

Manual Reset Input

Many μP -based systems require manual reset capability, allowing the operator, a test technician, or external logic circuitry to initiate a reset. Reset remains asserted while $\overline{\text{MR}}$ is low, and for a fixed timeout delay after $\overline{\text{MR}}$ returns high. This input has an internal $20\text{k}\Omega$ pullup resistor, so it can be left open if it is not used. $\overline{\text{MR}}$ can be driven with CMOS logic level, or with open-drain/collector outputs. To create a manual reset function, connect a normally open momentary switch from $\overline{\text{MR}}$ to ground; external debounce circuitry is not required. If

$\overline{\text{MR}}$ is driven from long cables or if the device is used in a noisy environment, connecting a $0.1\mu\text{F}$ capacitor from $\overline{\text{MR}}$ to ground provides additional noise immunity.

RESET-IN Information

The MAX6838/MAX6839/MAX6840 feature a RESET-IN input for monitoring supply voltages down to 0.44V . An external resistive-divider network can be used to set voltage monitoring thresholds as shown in Figure 1. As the monitored voltage falls, the voltage at RESET-IN decreases and asserts a reset when it falls below the RESET-IN threshold (V_{RSTIN}). The low-leakage current

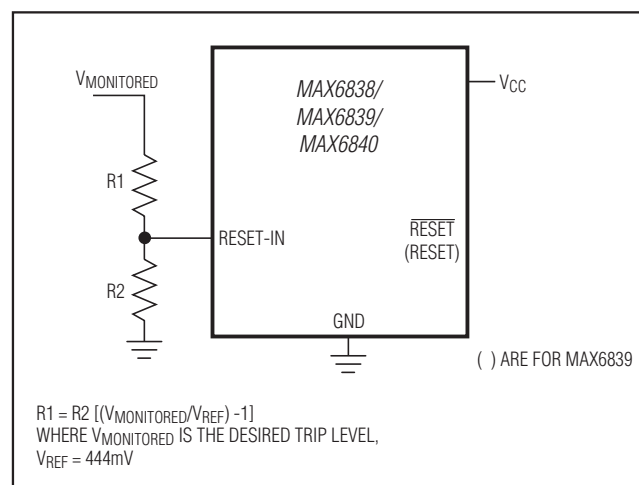


Figure 1. Setting the Adjustable Threshold Externally

MAX6832–MAX6840

Ultra-Low-Voltage SC70 Voltage Detectors and μP Reset Circuits

at RESET-IN allows for relatively large-value resistors to be used, which reduce power consumption. For example, for a 0.6V monitored trip level, if $R_2 = 200\text{k}\Omega$, then $R_1 = 70.3\text{k}\Omega$. Note that the minimum V_{CC} of 1.1V is required to guarantee the RESET-IN threshold accuracy (see *Electrical Characteristics* table).

Applications Information

Negative-Going V_{CC} Transients

In addition to issuing a reset to the μP during power-up, power-down, and brownout conditions, the MAX6832–MAX6840 are relatively immune to short-duration negative-going V_{CC} transients (glitches).

Figure 2 shows typical transient duration vs. reset comparator overdrive, for which the MAX6832–MAX6840 do **not** generate a reset pulse. The graph was generated using a negative-going pulse applied to V_{CC} , starting 0.1V above the actual reset threshold and ending below it by the magnitude indicated (reset comparator overdrive). The graph indicates the maximum pulse width a negative-going V_{CC} transient can have without causing a reset pulse. As the magnitude of the transient increases (goes farther below the reset threshold), the maximum allowable pulse width decreases. A $0.1\mu\text{F}$ bypass capacitor mounted as close as possible to the V_{CC} pin provides additional transient immunity.

Ensuring a Valid Reset Output Down to $V_{CC} = 0$

When V_{CC} falls below 0.55V, the MAX6832/MAX6835/MAX6838 push-pull RESET output no longer sinks current—it becomes an open circuit. Therefore, high-impedance CMOS logic inputs connected to RESET

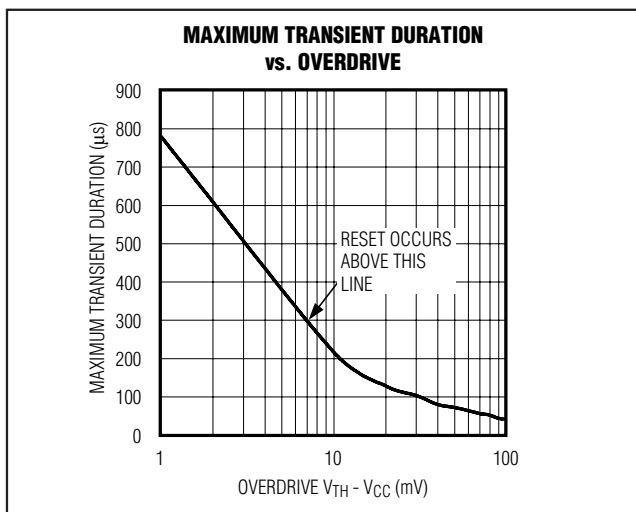


Figure 2. Maximum Transient Duration Without Causing a Reset Pulse vs. Reset Comparator Overdrive

can drift to undetermined voltages. This presents no problem in most applications since most μP and other circuitry are inoperative with V_{CC} lower than 0.55V. However, in applications where RESET must be valid down to 0, adding a pull-down resistor to RESET causes any stray leakage currents to flow to ground, holding RESET low (Figure 3). R_3 's value is not critical; $100\text{k}\Omega$ is large enough not to load RESET and small enough to pull RESET to ground.

A $100\text{k}\Omega$ pullup resistor to V_{CC} is also recommended for the MAX6833/MAX6836/MAX6839 if RESET is required to remain valid for $V_{CC} < 0.85\text{V}$.

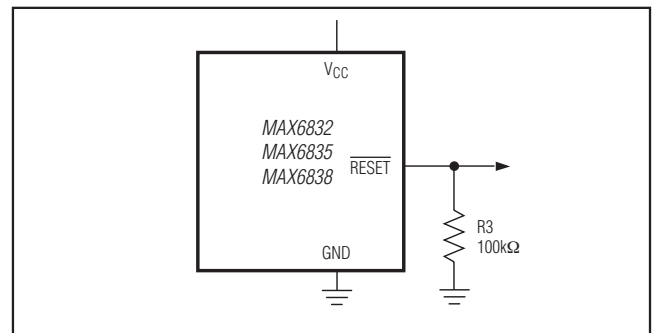


Figure 3. RESET Valid to $V_{CC} = \text{Ground}$ Circuit

Interfacing to μP s with Bidirectional Reset Pins

Since the RESET output on the MAX6834/MAX6837/MAX6840 is open-drain, these devices interface easily with μP s that have bidirectional reset pins. Connecting the μP supervisor's RESET output directly to the μP 's RESET pin with a single pullup resistor allows either device to assert a reset (Figure 4).

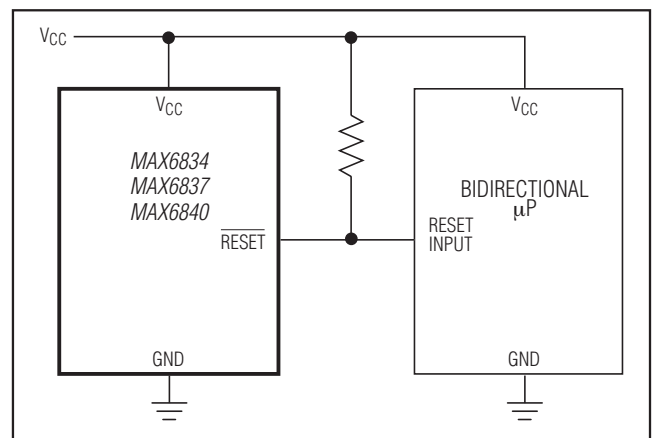


Figure 4. Interfacing to μP s with Bidirectional Reset I/O

MAX6832–MAX6840

Ultra-Low-Voltage SC70 Voltage Detectors and μP Reset Circuits

Using The MAX6834/MAX6837/MAX6840 Open-Drain RESET Output with Multiple Supplies

Generally, the pullup connected to the MAX6834/MAX6837/MAX6840 will connect to the supply voltage that is being monitored at the IC's V_{CC} pin. However, some systems may use the open-drain output to level-shift from the monitored supply to reset circuitry powered by some other supply (Figure 5). Note that as the MAX6834/MAX6837/MAX6840's V_{CC} decreases, so does the IC's ability to sink current at RESET. Also, with any pullup, RESET will be pulled high as V_{CC} declines toward 0. The voltage where this occurs depends on the pullup resistor value and the voltage to which it is connected.



Figure 5. Using The MAX6834/MAX6837/MAX6840 Open-Drain RESET Output with Multiple Supplies

Chip Information

TRANSISTOR COUNT: 681

PROCESS: BiCMOS

Selector Guide

Table 1. Threshold Suffix Guide

| SUFFIX | RESET THRESHOLD (V) |
|--------|---------------------|
| W | 1.665 |
| V | 1.575 |
| I | 1.388 |
| H | 1.313 |
| G | 1.110 |
| F | 1.050 |

Table 2. Active Timeout Period Guide

| SUFFIX | TYPICAL RESET ACTIVE TIMEOUT PERIOD (ms) |
|--------|--|
| D0 | 0.07 |
| D1 | 1.5 |
| D2 | 30 |
| D3 | 210 |
| D4 | 1680 |

Table 3. Standard Versions

| DEVICE | TOP MARK |
|--------------|----------|
| MAX6832VXR00 | AIQ |
| MAX6832VXR03 | AIR |
| MAX6832HXR00 | AIS |
| MAX6832HXR03 | AIT |
| MAX6832FXR00 | AIU |
| MAX6832FXR03 | AIV |
| MAX6833VXR00 | AHJ |
| MAX6833VXR03 | AIW |
| MAX6833HXR00 | AIX |
| MAX6833HXR03 | AIY |
| MAX6833FXR00 | AIZ |
| MAX6833FXR03 | AJA |
| MAX6834VXR00 | AJB |
| MAX6834VXR03 | AJC |
| MAX6834HXR00 | AJD |
| MAX6834HXR03 | AJE |
| MAX6834FXR00 | AJF |
| MAX6834FXR03 | AJG |
| MAX6835VXS00 | AEX |

MAX6832-MAX6840

Ultra-Low-Voltage SC70 Voltage Detectors and μ P Reset Circuits

Pin Configurations



Typical Operating Circuit



Selector Guide (continued)

Table 3. Standard Versions (continued)

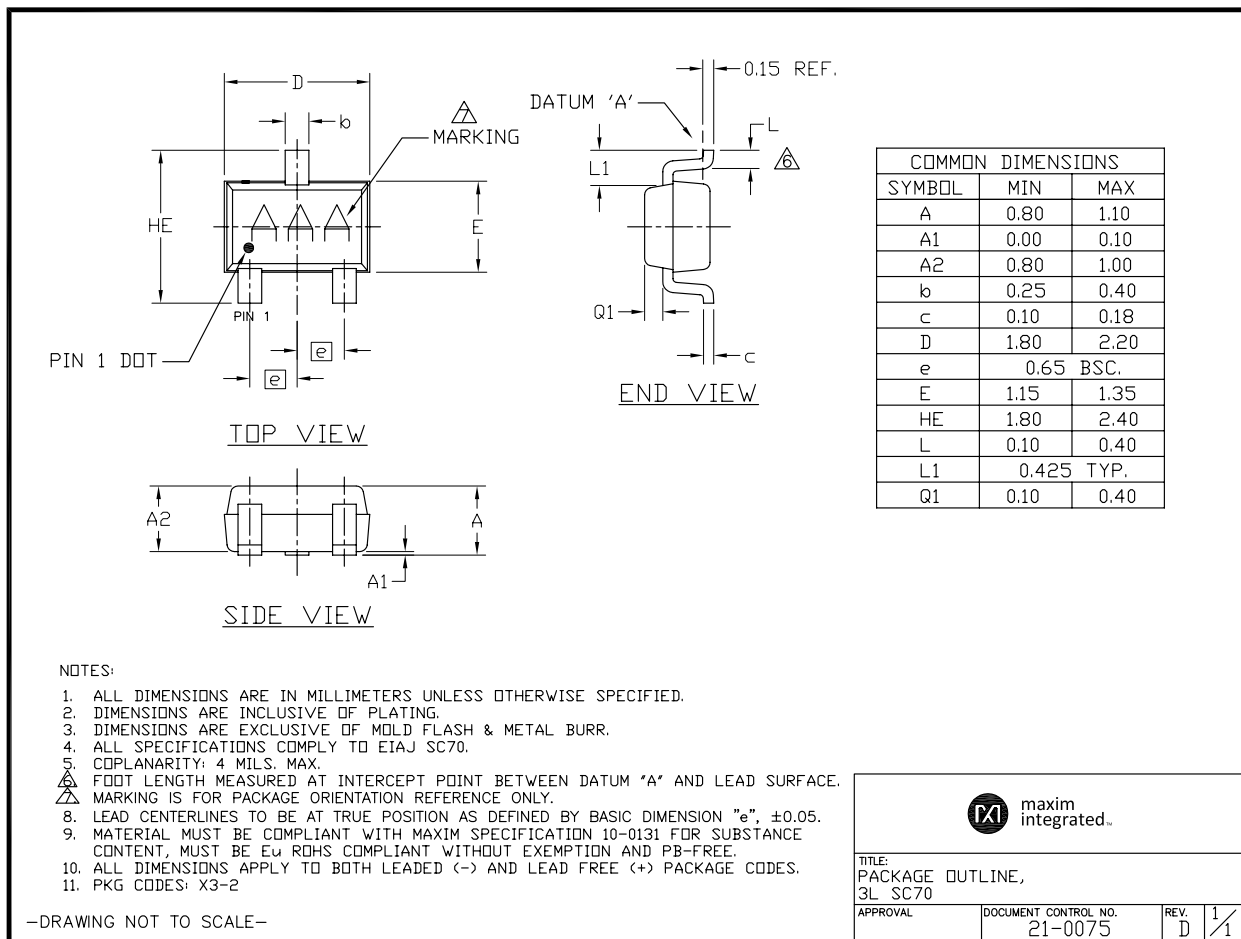
| DEVICE | TOP MARK |
|--------------|----------|
| MAX6835VXSD3 | AFF |
| MAX6835HXSD0 | AFG |
| MAX6835HXSD3 | AFH |
| MAX6835FXSD0 | AFI |
| MAX6835FXSD3 | AFJ |
| MAX6836VXSD0 | AFK |
| MAX6836VXSD3 | AFL |
| MAX6836HXSD0 | AFM |
| MAX6836HXSD3 | AFN |
| MAX6836FXSD0 | AFO |
| MAX6836FXSD3 | AFP |
| MAX6837VXSD0 | AFQ |
| MAX6837VXSD3 | AFR |
| MAX6837HXSD0 | AFS |
| MAX6837HXSD3 | AFT |
| MAX6837FXSD0 | AFU |
| MAX6837FXSD3 | AFC |
| MAX6838XSD0 | AFW |
| MAX6838XSD3 | AFV |
| MAX6839XSD0 | AFX |
| MAX6839XSD3 | AEZ |
| MAX6840XSD0 | AFY |
| MAX6840XSD3 | AFZ |

MAX6832-MAX6840

Ultra-Low-Voltage SC70 Voltage Detectors and μ P Reset Circuits

Package Information

For the latest package outline information and land patterns (footprints), go to www.maximintegrated.com/packages. Note that a "+", "#", or "-" in the package code indicates RoHS status only. Package drawings may show a different suffix character, but the drawing pertains to the package regardless of RoHS status.



MAX6832-MAX6840

Ultra-Low-Voltage SC70 Voltage Detectors and μ P Reset Circuits

Package Information (continued)

For the latest package outline information and land patterns (footprints), go to www.maximintegrated.com/packages. Note that a "+", "#", or "-" in the package code indicates RoHS status only. Package drawings may show a different suffix character, but the drawing pertains to the package regardless of RoHS status.



Maxim Integrated cannot assume responsibility for use of any circuitry other than circuitry entirely embodied in a Maxim Integrated product. No circuit patent licenses are implied. Maxim Integrated reserves the right to change the circuitry and specifications without notice at any time. The parametric values (min and max limits) shown in the Electrical Characteristics table are guaranteed. Other parametric values quoted in this data sheet are provided for guidance.

Looking for pricing, stock, or lifecycle information?

Click below to explore more details on WIN SOURCE:

 [View MAX6834HXR3+T on WIN SOURCE](#)

 [Maxim Integrated Information](#)

Optimize Your Supply Chain with WIN SOURCE Solutions

-  Global Sourcing Solution
-  Obsolete Management
-  Cost Control Management
-  Shortage Management
-  Alternative Solution
-  Excess Inventory Management